

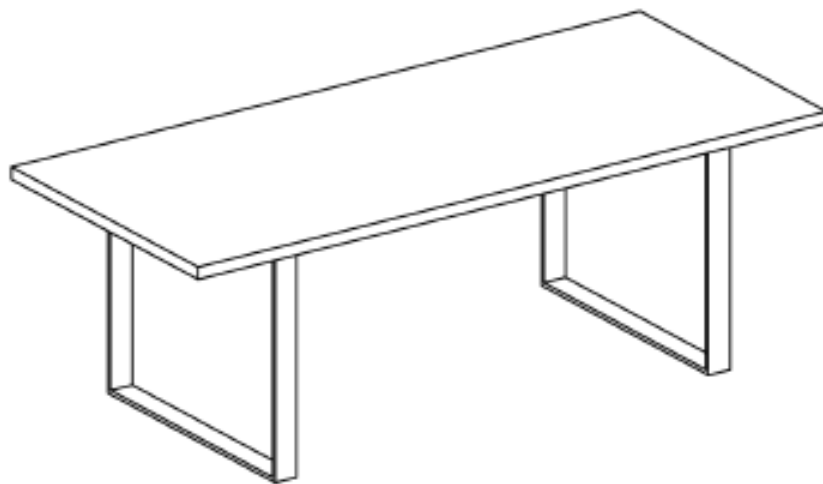
# nkuku

HOME AND LIFESTYLE

## Care & Assembly Instructions

Fia Dining Table - Natural Mango Wood - 76 x 180 x 90cm  
FT0301

Fia Dining Table - Natural Mango Wood - 76 x 220 x 90cm  
FT1001



Please read these instructions and check the pack contents carefully before attempting assembly.

Choking Hazard: In its unassembled state this product contains small parts which could be a choking hazard for children under 3 years old.

Regularly check all fastenings to ensure that they are properly tightened.

## Care Instructions

### Features of Natural Mango Wood

Mango wood is a beautiful natural material. It is important to understand its unique properties; these properties should not be mistaken for flaws.

### Wood Shading and Grain

Each piece will have a slightly different grain pattern. Variation in colour, shading and grain between different parts of the same product can occur, this is a normal feature of all natural wood.

### Knots

Knots are a natural property of all wooden furniture; they add interest to each piece and do not affect performance.

### Cleaning

Wipe with a soft, dry, lint free cloth.

Do not use any abrasive or corrosive cleaning products.

Any spillages should be wiped away immediately.

### Sunlight and heat

Direct sunlight will cause the colour of wood to change, this will be more apparent if the furniture is placed under a window.

Use in hot and sunny conservatories is not recommended.

Do not place the furniture next to radiators or anywhere subject to excessive changes in temperature or moisture content.

Never place hot dishes directly onto wooden surfaces, we recommend you use tablemats as protection.

### Care

If your furniture becomes stained, scratched, chipped or suffers other damage, we recommend professional help sought to restore it.

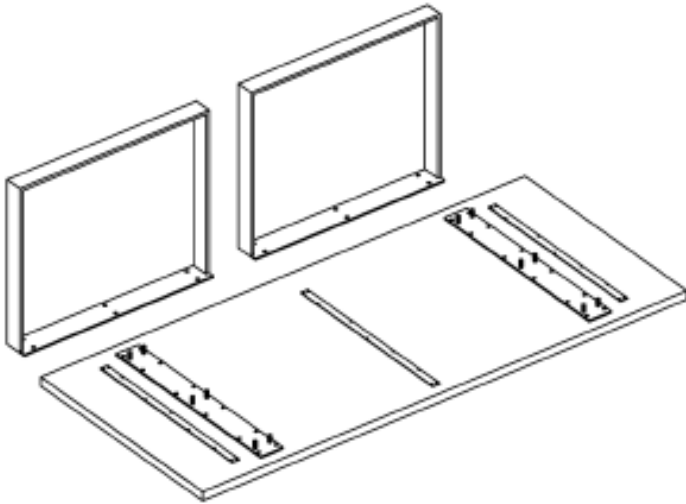
# nkuku

HOME AND LIFESTYLE

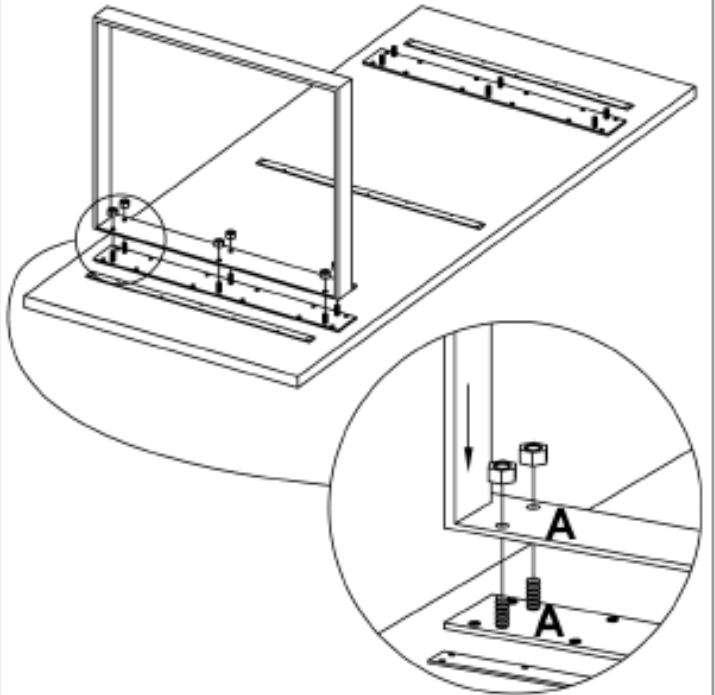
Tools enclosed:



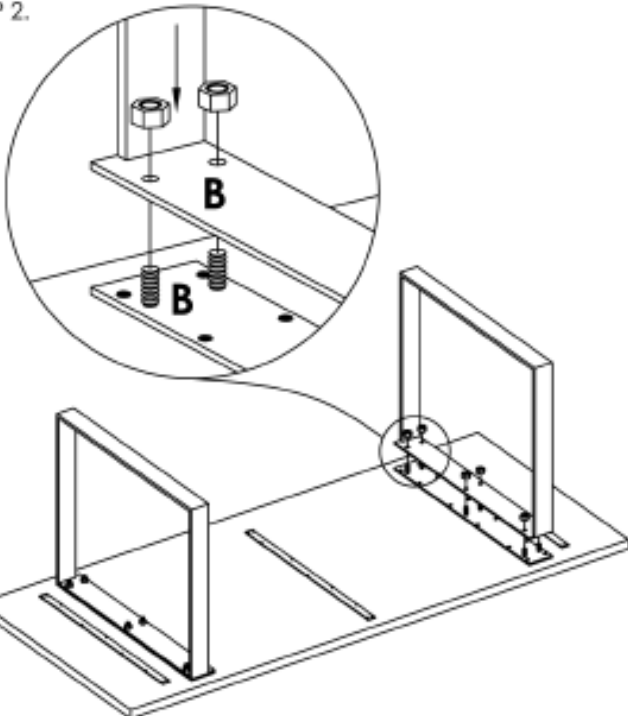
## PARTS ENCLOSED



## STEP 1.



## STEP 2.



## FINAL PRODUCT

