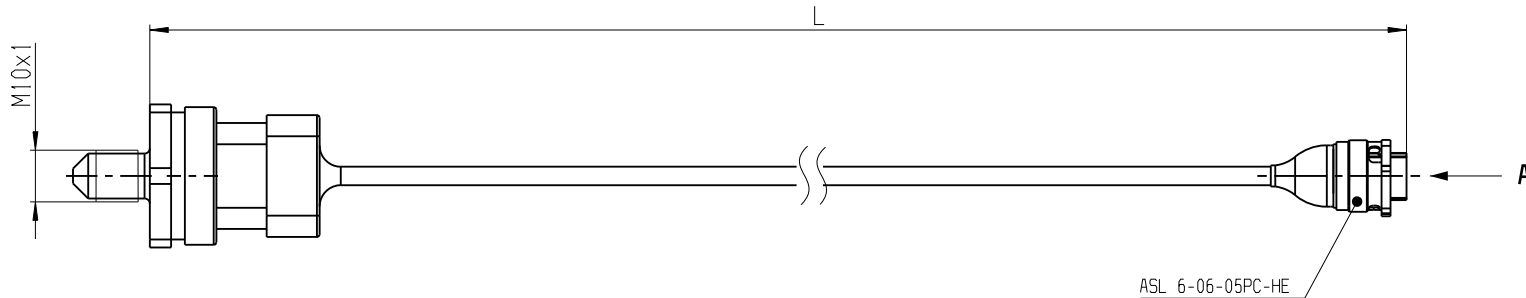


Front view
Scale: 1:1

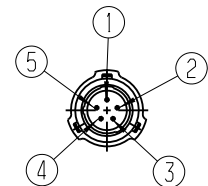
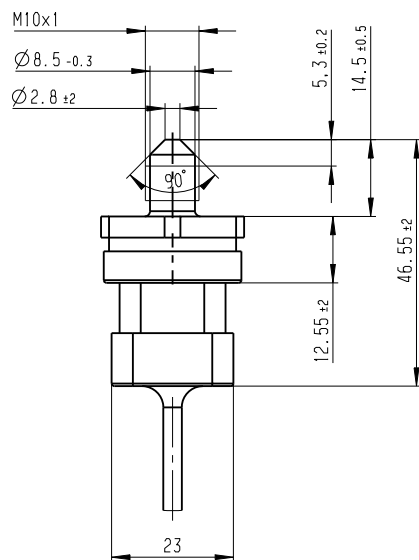


Connector View
View A

Front view
Scale: 1:1

ASL 6-06-05PC-HE

Installation torque in aluminium: 22Nm ±2Nm
Installation torque in steel: 32.5Nm ±2.5Nm

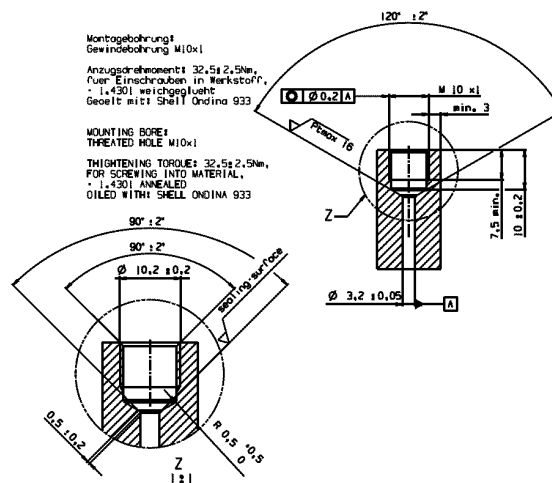


ASL 6-06-05PC-HE

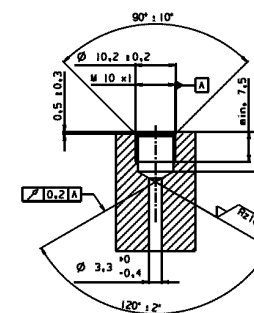
- Pin 1: free
- Pin 2: GND
- Pin 3: SIG
- Pin 4: Power Supply 5V
- Pin 5: free

Vorschlag Montagebohrung
RECOMMENDATION MOUNTING BORE

Vorschlag Montagebohrung in Stahl
RECOMMENDATION MOUNTING BORE INTO STEEL



Vorschlag Montagebohrung in Aluminium
RECOMMENDATION MOUNTING BORE INTO ALUMINIUM



Montagebohrung
Gewindebohrung M10x1
nach DIN 74235 PL Ausf. A,
entspricht ISO 4038
Anzugsdrehmoment: 22±2Nm,
für Einschrauben in Werkstoff:
- AlMgSi1 F31 oder
- GK-A1517 Mg
MOUNTING BORE:
THREADED HOLE M10x1 REFER
TO DIN 74235 PL VERSION A,
CORRESPONDING TO ISO 4038
TIGHTENING TORQUE: 22±2Nm,
FOR SCREWING INTO MATERIAL:
- AlMgSi1 F31 OR
- GK-A1517 Mg

01 Erstellung	20110215	FzF	FzF	BEG/MSD4 WzP
Ind. Change/Änderung	YYYYMMDD	Drawn/Gez.	Checked/Gepr.	Releas./Freig.
Lang./Spr.	Syst.	Wght./Gew.	Scale/M.stab	1:1
en/de	CAT			
F 02U V00 990-02		500		ASL 6-06-05PC-HE
Bestell-Nr. Order-no.		L-Länge [mm] Lenght [mm]		Stecker Connector
		0 ... 260		Messbereich [bar] Measur. Range [bar]
		1:1		
		BOSCH		AGZ-A3 Pressure Sensor Fluid PSC-260
		OFFER DRAWING ANGEBOTSZEICHN.		Doc.type F02U V00 990-02
		Repl. for		Repl. by
		Sheet/Bl.		1/1
		Format		A3