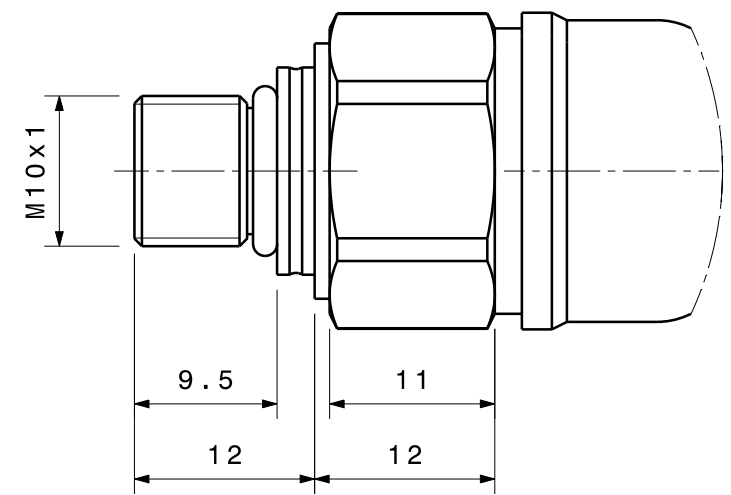


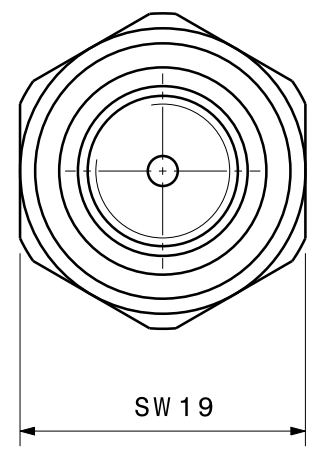
© Bosch Engineering GmbH. Alle Rechte vorbehalten, auch bzgl. jeder Vervielfältigung, Verbreitung, Reproduktion, Bearbeitung, Weitergabe sowie für den Fall von Schutzrechtsanmeldungen.

© Bosch Engineering GmbH. All rights reserved, also regarding any disposal, exploitation, reproduction, editing, distribution, as well as in the event of applications for industrial property rights.

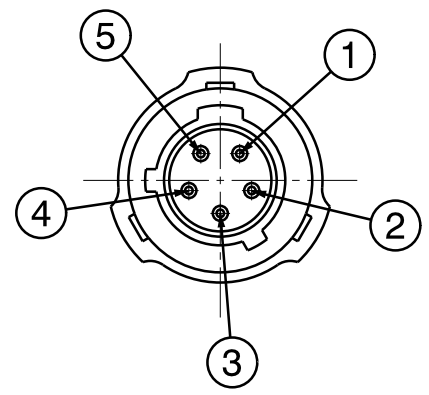
Detail A
Scale: 2:1



Detail B
Scale: 2:1

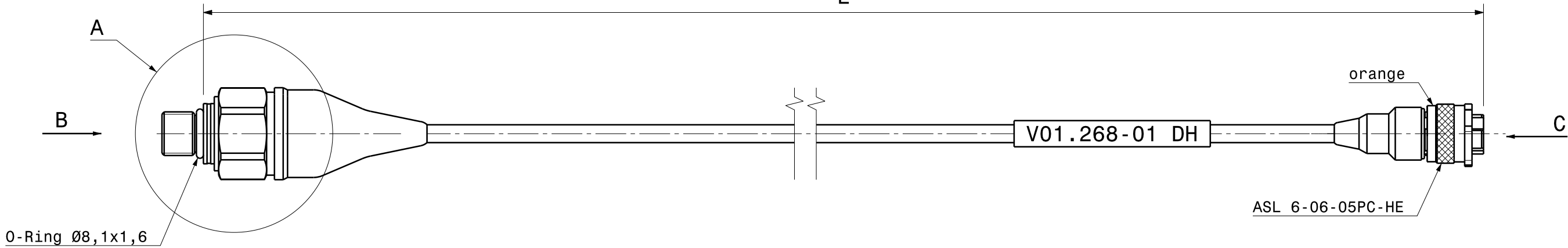


Detail C
Scale: 2:1

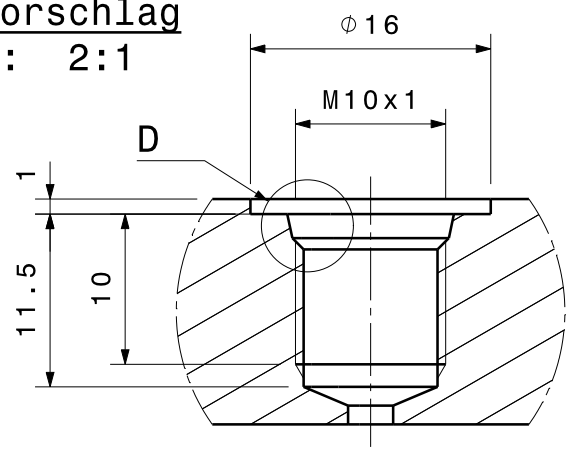


- 1: Free
- 2: Ground
- 3: Signal (0.5 ... 4.5 V)
- 4: Supply (5 V)
- 5: Free

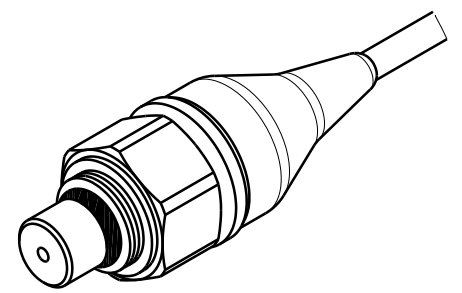
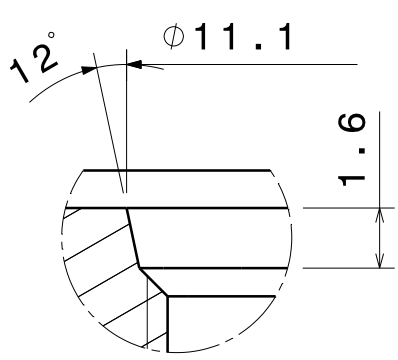
ASL 6-06-05PC-HE



Einbauvorschlag
Scale: 2:1



Detail D
Scale: 5:1



| | | | | | | | | |
|------------|------------------|---------------|--------------|----------------------------------|--|-----|--------------------------|-----------------------|
| 01 | Erstellung | 20130904 | MzR | HtM | WzP | 672 | BEG/MSD-P Behrens | |
| Ind. | Change/Aenderung | YYYYMMDD | Drawn/Gez. | Checked/Gepr. | Releas./freig. | BWN | Resp. dept./Verantw.Abt. | Add. info./Zus. Info. |
| Lang./Spr. | Syst. | Wght./Gew. | BOSCH | | Pressure Sensor PSC-10 Drucksensor PSC-10 | | | Sheet/Bl. |
| en/de | CAT | 45 g. | | | | | | 1/1 |
| MNR | | Scale/M. stab | 1:1 | OFFER DRAWING ANGEBOTSZEICHN. | Doc. type | AGZ | F 02U V01 268-01 | DP/TD |
| | | | | Repl. for | | | | Repl. by |

| | | | |
|--------------------------------|-------------------------------|--|----------------------|
| F 02U V01 268-01 | 370 ± 5 | 0 ... 10 (absolute) | ASL 6-06-05PC-HE |
| Bestell-Nummer Order Number | Länge L (mm) Length L (mm) | Druckbereich (bar) Pressure Range (bar) | Stecker Connector |