

Collision Avoidance System CAS-M 3 EVO



- ▶ Approaching vehicle tracking
- ▶ Left/right passing alerts
- ▶ Improves visibility of objects in rain, mist or darkness
- ▶ Full Bosch Motorsport tool integration

The Collision Avoidance System-Motorsport 3 EVO (CAS-M 3 EVO) features a high-performance Bosch Motorsport **Display Unit** for fast video processing (right in the picture), and a **Rear Module**, composed from a Bosch mid-range radar sensor for a wider field of view in close-up range and a fast response high definition camera (left in the picture).

The CAS-M 3 EVO system provides real time visualization and warns the driver about approaching or overtaking cars via intuitive marking of the cars on the display. It helps prevent the most common collisions and allows drivers to focus on the race. With a momentary glance, the driver can tell how many cars are following and their classification depending on distance and relative speed. The radar tracks up to 40 objects and marks up to four objects on the display. In addition, bright flashing LEDs alert the driver when any car attempts a passing maneuver. All of these features work at night or in the rain when visibility is typically poor. Furthermore, the real time gap of a marked object is measured and can be provided over CAN or Ethernet.

The CAS-M 3 EVO system is fully integrated in the Bosch Motorsport Tool environment and can be configured with RaceCon.

Application

Range	95 m
Horizontal field of view	
Radar	85° from 0 to 29 m
	70° from 29 to 46 m
	50° from 46 to 73 m
	42° from 73 to 78 m
	20° from 78 to 95 m

Camera	78°
Number of tracked objects	Max. 40
Number of displayed classified objects	Max. 4
Display format	7"
Display resolution	800 x 480 pixel
User configurable CAN in/out messages	
User configurable LEDs	

Technical Specifications

Mechanical Data

Display Unit	
Size	198 x 134 x 35 mm
Weight	830 g
Protection classification	IP67
Operating temperature internal	-20 to 85°C
Max. vibration	Vibration profile 1 (See Appendix or www.bosch-motorsport.com)
Rear Module	
Size	120 x 150 x 115 mm
Weight	880 g
Protection classification	IP67
Operating temperature	0 to 70°C (rearview camera internal temperature*)
Max. vibration	Vibration profile 1 (See Appendix or www.bosch-motorsport.com)

*If the temperature limit is reached, forced air cooling of the camera is recommended.

Electrical Data

Supply voltage (Display and Rear Unit)	6 to 18 V
Current consumption	
Display Unit	2 A (at 12 V)
Rear Module	0.7 A (at 12 V)

Communication

Display Unit	
CAN	1x private CAN for radar, 1x CAN
Ethernet	1x private 1GBase-T Ethernet for camera, 1x 100Base-T Ethernet
Time sync synchronization Ethernet	1
Rear Module	
CAN	1x private CAN for radar
Ethernet	1x private 1GBase-T Ethernet for camera

Software Tools (free download)

Data analysis tool	WinDarab 7 Light
System configuration tool	RaceCon

Connectors and Wires

Display Unit	
Motorsport connector on device	AS212-35PN
Mating connector AS612-35SN	F02U.000.443-01
Rear Module	
Motorsport connector on device	AS212-35PN
Mating connector AS612-35SN	F02U.000.443-01

Pin Configuration

Display Unit	
Pin 1	GigEthernet_TR3_N (private Eth camera)
Pin 2	GigEthernet_TR3_P (private Eth camera)
Pin 3	GigEthernet_TR2_N (private Eth camera)
Pin 4	GigEthernet_TR2_P (private Eth camera)
Pin 5	GigEthernet_TR1_N (private Eth camera)
Pin 6	GigEthernet_TR1_P (private Eth camera)

Pin 7	GigEthernet_TR0_N (private Eth camera)
Pin 8	GigEthernet_TR0_P (private Eth camera)
Pin 9	Ethernet_TXP
Pin 10	Ethernet_RXP
Pin 11	Ethernet_RXN
Pin 12	CAN_High_Vehicle
Pin 13	+12 V KL30
Pin 14	+12 V KL15
Pin 15	GND KL31
Pin 16	GND KL31
Pin 17	Time_Sync
Pin 18	ETH_Screen
Pin 19	Ethernet_TXN
Pin 20	CAN Low Vehicle
Pin 21	CAN High Radar (private CAN radar)
Pin 22	CAN Low Radar (private CAN radar)
Rear Module	
Pin 1	GigEthernet_TR3_P (private Eth camera)
Pin 2	GigEthernet_TR2_N (private Eth camera)
Pin 3	GigEthernet_TR2_P (private Eth camera)
Pin 4	GigEthernet_TR1_N (private Eth camera)
Pin 5	GigEthernet_TR1_P (private Eth camera)
Pin 6	GigEthernet_TR0_N (private Eth camera)
Pin 7	GigEthernet_TR0_P (private Eth camera)
Pin 8	+12 V Ubat
Pin 9	+12 V Ubat
Pin 10	+12 V Ubat (optional to display)
Pin 11	CAN High Radar (private CAN radar)
Pin 12	CAN Low Radar (private CAN radar)
Pin 13	n.c.
Pin 14	GigEthernet_TR3_N (private Eth camera)
Pin 15	GigEthernet Screen
Pin 16	n.c.
Pin 17	CAN Screen

Pin 18	GND
Pin 19	+12 V Ubat (optional to display)
Pin 20	GND
Pin 21	GND (optional to display)
Pin 22	GND (optional to display)

Communication

Display Unit	
CAN	1x private CAN for radar, 1x CAN
Ethernet	1x private 1GBase-T Ethernet for camera, 1x 100Base-T Ethernet
Time sync synchronization Ethernet	1
Rear Module	
CAN	1x private CAN for radar
Ethernet	1x private 1GBase-T Ethernet for camera

Installation Notes

The rear unit must be mounted 90° to the vehicles vertical and horizontal axis and within ± 200 mm of the vehicle lateral center-line.
Mounting distance of radar over ground: 300 to 1,000 mm
To achieve the expected performance from the radar sensor, it must have a clear and unobstructed view. There should be no material over the radar sensor and the sensor should be allowed a clear 180 degree field of view.
Consider the maximum vibration limits for the mounting position of the rear module. The system is approved referred to vibration profile 1, see www.bosch-motorsport.com .
Check the radar sensor for travel inside the radar bracket. In this case, remove the radar sensor and check the locking pins at both sides of the sensor. Due to vibrations, these pins can be deformed. Exceeding travel of the sensor can damage the electric contacts.
The system needs yaw rate and vehicle speed information.
Cat 6 A standard for Gigabit Ethernet.
This product may contain open source software. Information about license terms and other obligations is given in the manual.
For the private CAN network between display and rear module, no termination resistor is needed in the wiring harness. There are pre-installed termination resistors in the radar sensor and the display.

Safety Notes

It is not permitted to use the system as mirror replacement.
--

Legal

The CAS-M 3 radar sensor is based on the Bosch Engineering MRRe14HBW radar sensor. The MRRe14HBW is frequency certified for the following countries:

Country
Austria, Belgium, Bulgaria, Croatia, Cyprus, Czech Republic, Denmark, Estonia, Finland, France, Germany, Greece, Hungary, Ireland, Italy, Latvia, Lithuania, Luxembourg, Malta, Netherlands, Poland, Portugal, Romania, Slovakia, Slovenia, Spain, Sweden, Iceland, Liechtenstein, Norway, Switzerland
USA
Canada
Japan
Australia
New Zealand

If the MRRe14HBW and hence the CAS-M 3 radar sensor SCU is not operated within this context, it lies within the customer's responsibility to ensure compliance of the application with national regulations and standards, e.g., electromagnetic compatibility and radio spectrum matters.

Link to the up-to-date EU Declaration of Conformity DoC:

<http://eu-doc.bosch.com>

(Please enter the model MRRe14HBW on which CAS-M sensors are based on to find the correct DoC in the database.)

Ordering Information

Collision Avoidance System CAS-M 3 EVO

Order number **F02U.V02.648-02**

Acceleration Sensor MM5.10

Without wire (1)

Order number **F02U.V01.511-02**

Acceleration Sensor MM5.10

Wire with open end (2)

Order number **F02U.V01.511-92**

Acceleration Sensor MM5.10

Wire with motorsport connector (3)

Order number **F02U.V01.512-03**

Accessories

Display Unit

Order number **F02U.V02.660-02**

Rear Module

Consisting of parts (A) to (E)

Order number **F02U.V02.630-02**

Radar Bracket (A)

Order number **F037.D00.084-01**

Radar Unit (B)

Order number **F02U.V02.647-01**

Camera Unit (C)

Order number **F02U.V02.799-01**

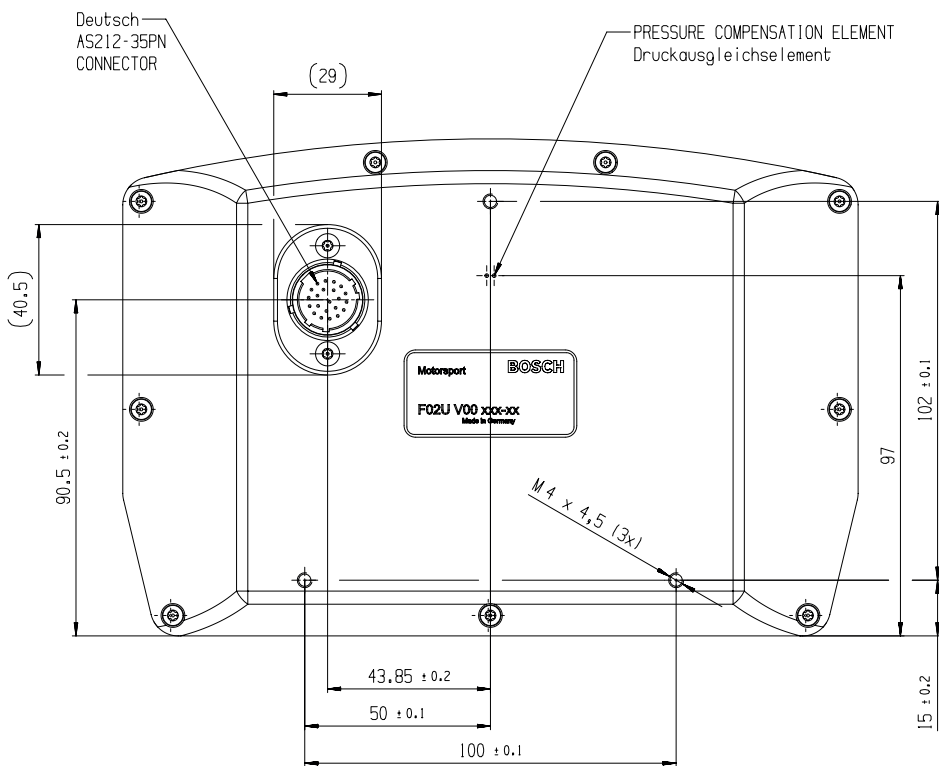
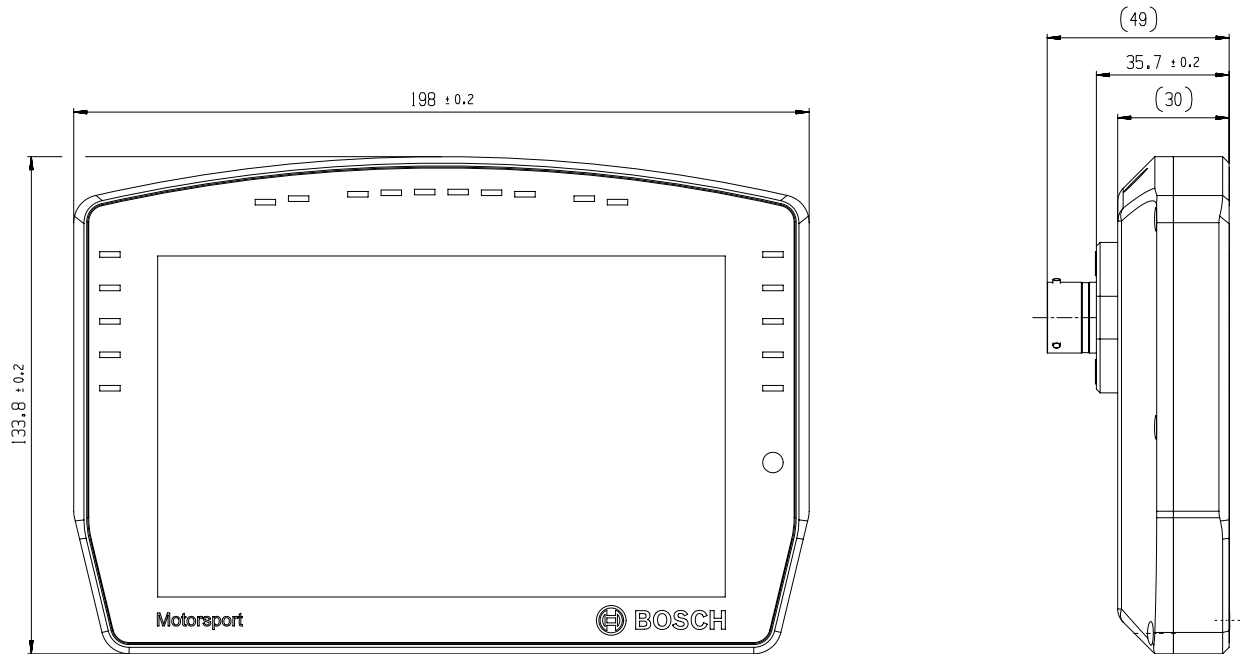
Wiring Harness (D)

Order number **F02U.V02.802-01**

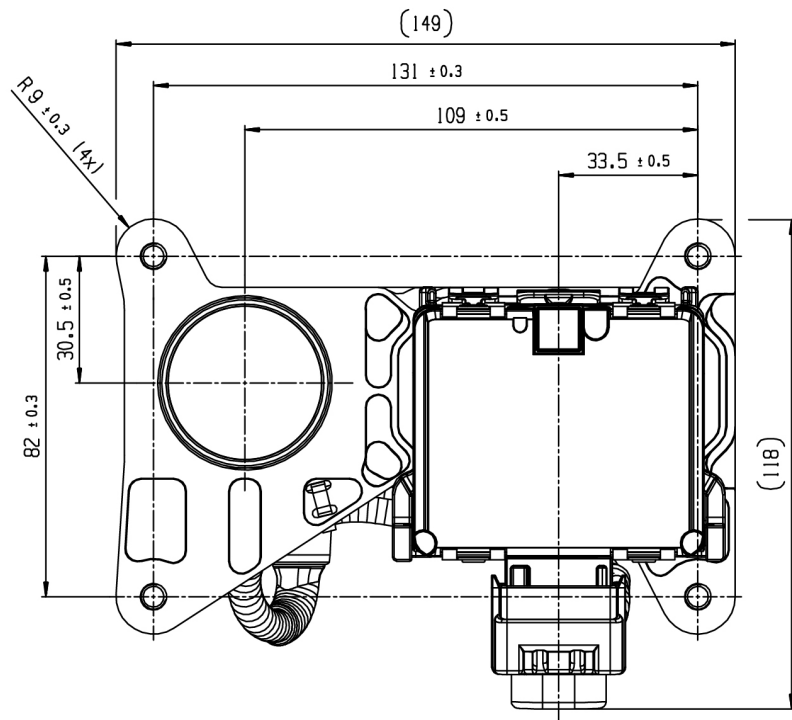
Interface Module (Housing and Electronics) (E)

Order number **F02U.V02.639-01**

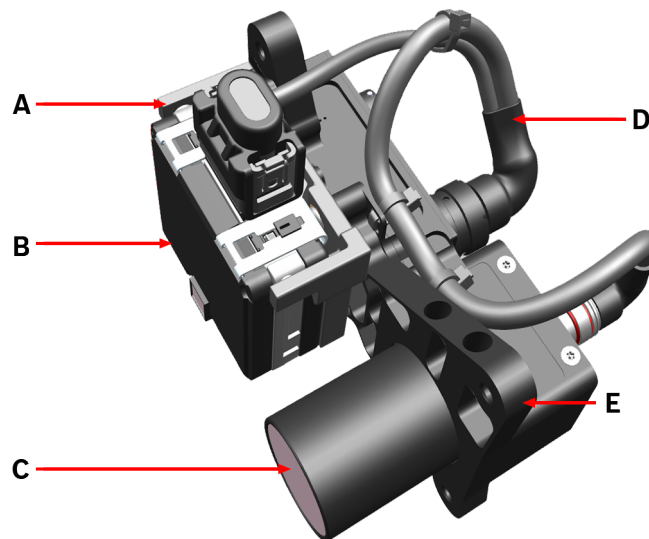
Dimensions



Display



Rear Module



- A: Radar Bracket
- B: Radar Sensor
- C: Camera
- D: Wiring Harness for Radar and Camera
- E: Interface Module (Housing and Electronics)

Spare Parts of the Rear Module

Represented by:

Europe:
 Bosch Engineering GmbH
 Motorsport
 Robert-Bosch-Allee 1
 74232 Abstatt
 Germany
 Tel.: +49 7062 911 9101
 Fax: +49 7062 911 79104
 motorsport@bosch.com
 www.bosch-motorsport.de

North America:
 Bosch Engineering North America
 Motorsport
 38000 Hills Tech Drive
 Farmington Hills, MI 48331-3417
 United States of America
 Tel.: +1 248 876 2977
 Fax: +1 248 876 7373
 motorsport@bosch.com
 www.bosch-motorsport.com

Asia-Pacific:
 Bosch Engineering Japan K.K.
 Motorsport
 18F Queen's Tower C, 2-3-5 Minato
 Mirai Nishi-ku, Yokohama-shi
 Kanagawa 220-6218
 Japan
 Tel.: +81 45 650 5610
 Fax: +81 45 650 5611
 www.bosch-motorsport.jp

Australia, New Zealand and South Africa:
 Robert Bosch Pty. Ltd
 Motorsport
 1555 Centre Road
 Clayton, Victoria, 3168
 Australia
 Tel.: +61 (3) 9541 3901
 motor.sport@au.bosch.com