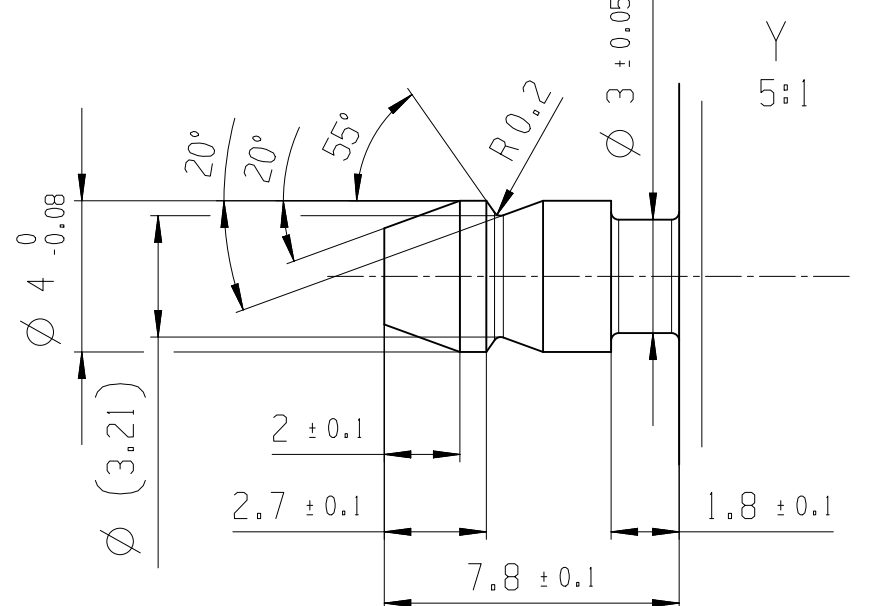
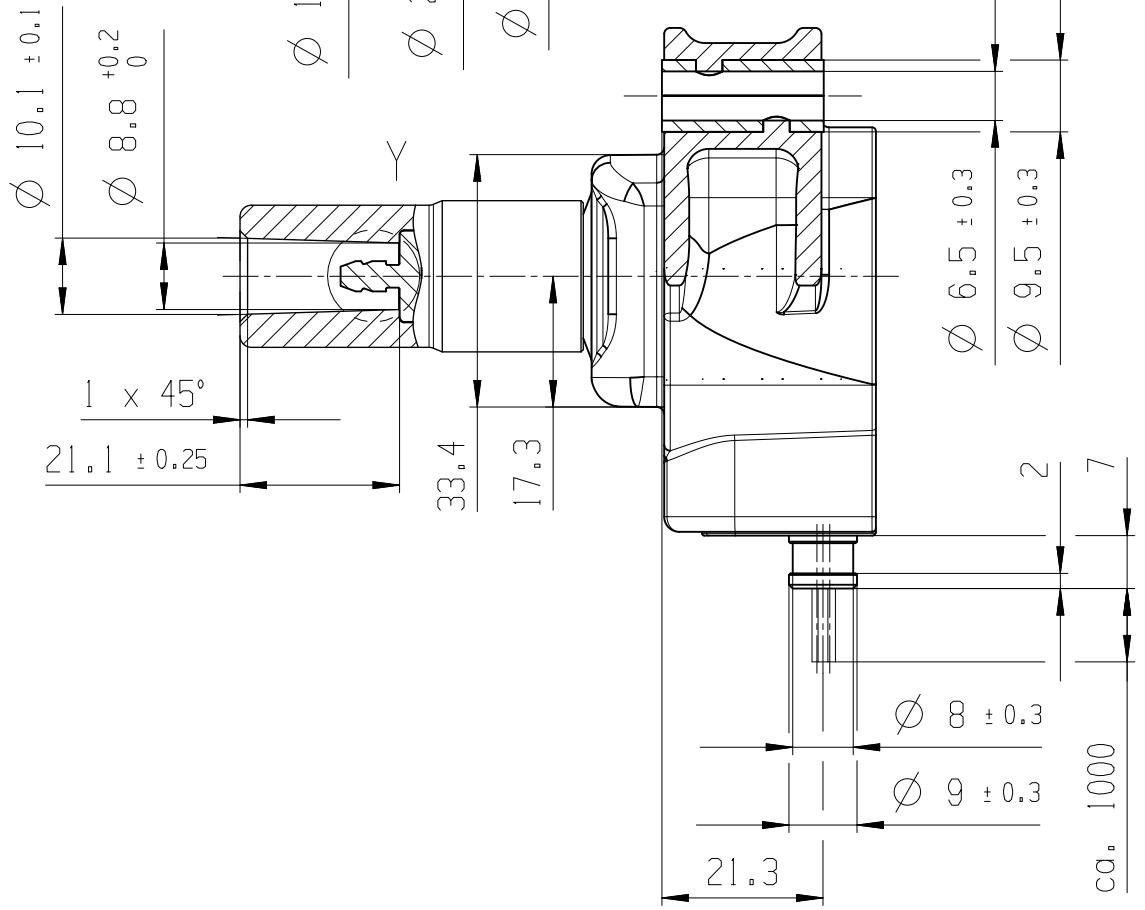
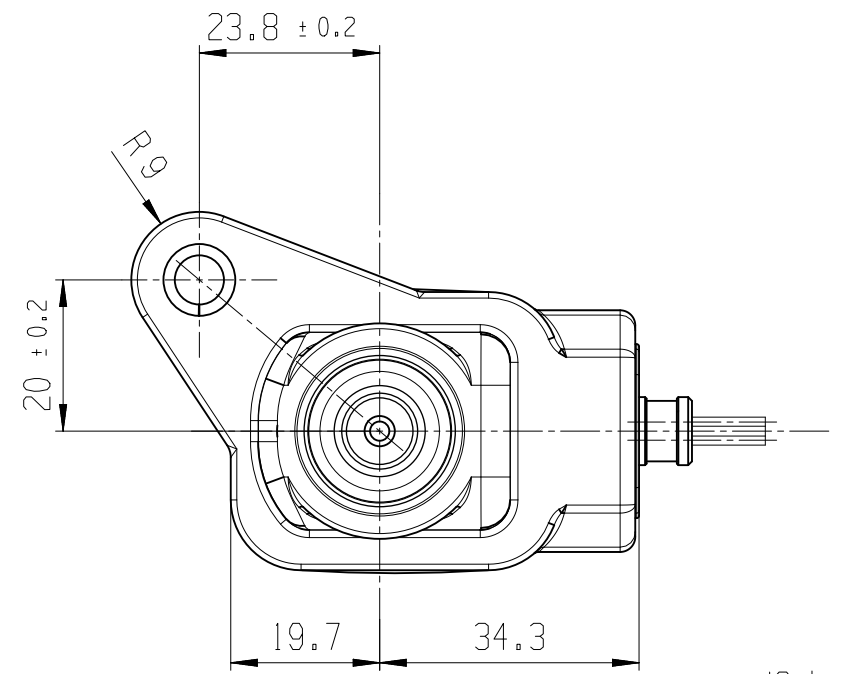
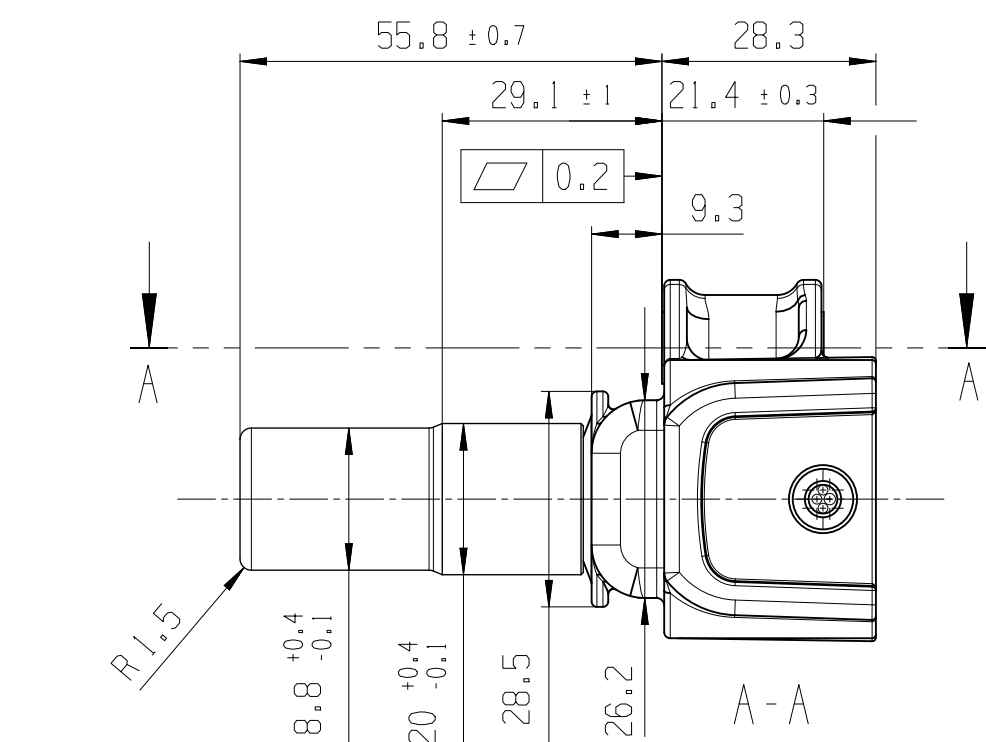
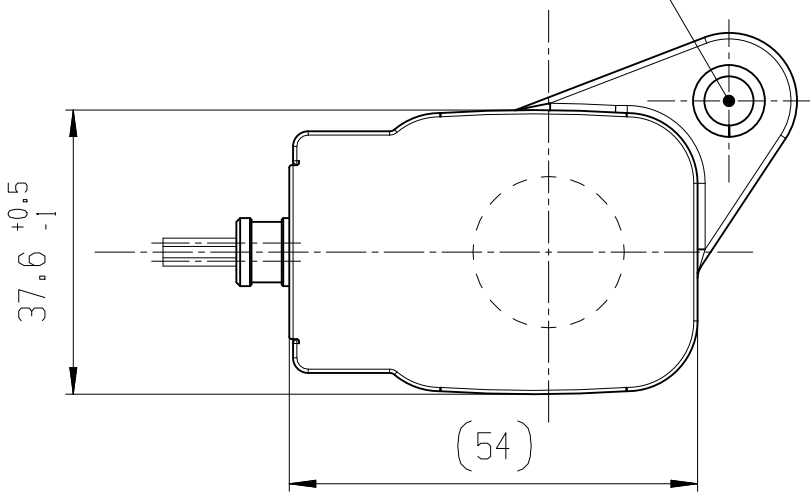


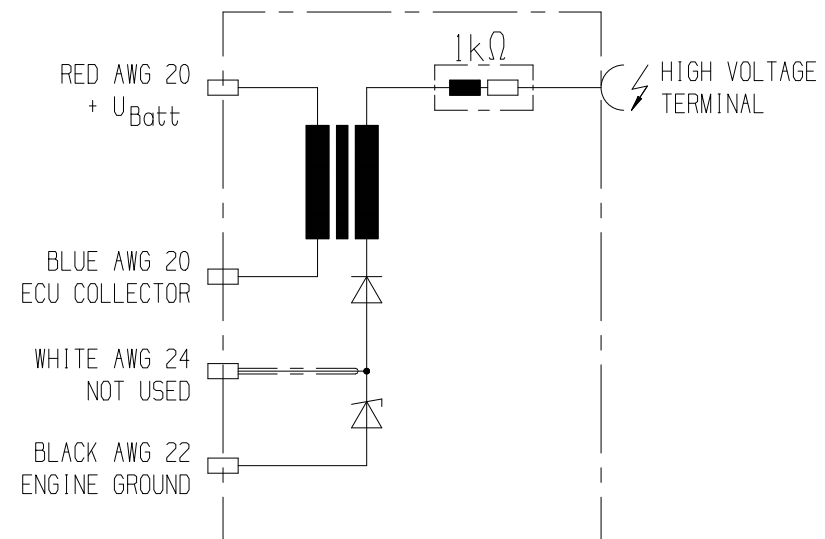
© Bosch Engineering GmbH. Alle Rechte vorbehalten, auch bzgl. jeder Verfertigung, Verwertung, Reproduktion, Bearbeitung, Weitergabe sowie fuer den Fall von Schutzrechtsanmeldungen.

© Bosch Engineering GmbH. All rights reserved, also regarding any disposal, exploitation, reproduction, editing, distributing, as well as in the event of applications for industrial property rights.

RECOMMENDED FASTENER: M6 8.8  
TIGHTENING TORQUE: 8 ± 1 Nm



CIRCUIT DIAGRAMM



**CAUTION:**  
ENSURE THAT THE CONNECTION BETWEEN THE IGNITION COIL AND THE SPARK PLUG IS ALWAYS ESTABLISHED!  
DURING OPERATION, A DANGEROUS HIGH VOLTAGE ARE PRESENT ON THE PRIMARY AND SECONDARY SIDE OF THE COIL!

general tolerances for/Allgemeintoleranzen fuer	lin. dim./L.-masse	radii/Radien	angles/Winkel
	±0.5mm	±0.5mm	±2°
all linear dimensions in/ Alle Laengenmasse in			mm
Size acc. to / Masse nach ISO 14405-1:2010-12			
envelope principle/ Huellprinzip			Ⓔ

ORDER NUMBER Bestellnummer	F 02U V02 430-01							
01 F02UC02742	20160613	1hb2si	ooc2si	wpt2si	6720	BEG/MSD		
Ind.	Change/Aend.	YYYYMMDD	Drawn/Gez.	Checked/Gepr.	Releas./Freig.	BWN	Resp. dept./Verantw. Abt.	
Lang./Spr. en/de	Syst. UG	Wght./Gew. ca. 215g	<b>BOSCH</b>		IGNITION COIL ZUENDSPULE		COIL C90i-WG COIL C90i-WG	Sheet/Bl. 1 / 1
MNR	Scale/M.stab 1:1	OFFER DRAWING ANGEBOTSZEICHN.		Doc. type AGZ	F 02U A02 430-01		DP/TD 000	Ind. 01
				Repl. for			Repl. by	