

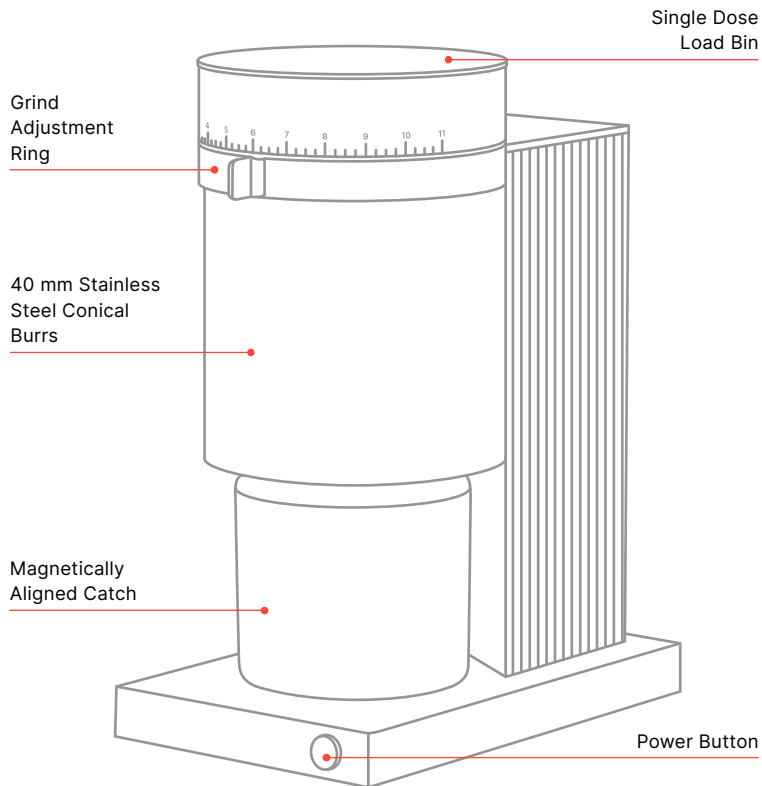
FELLOW®

OPUS™

Conical Burr Grinder

SAFETY AND MAINTENANCE

Product Overview



**READ ALL INSTRUCTIONS.
DO NOT THROW AWAY THIS SAFETY GUIDE.**

OPUS CONICAL BURR GRINDER

Fellow Industries Inc.
Fellowproducts.com
Email: hello@fellowproducts.com
San Francisco, CA 94110

Product Name: Opus Conical Burr Grinder
Patents and Patents Pending: fellowproducts.com/pages/patents
2-Year Limited Warranty | Designed in San Francisco, Made in China

MODEL	SPECIFICATIONS
APAAUK APAAAU	220-240V 50-60Hz 150W 0.63-0.68A Weight: 2.27 kg Dimensions (LxWxH): 210 mm x 129 mm x 268 mm Grinds Capacity: 100 g



Do not discard as unsorted waste. To be sent to separate collection facilities for recovery and recycling.

**HOUSEHOLD USE ONLY
SAVE THESE INSTRUCTIONS**

More info at [Fellowproducts.com/pages/gear-guides](https://fellowproducts.com/pages/gear-guides)

IMPORTANT SAFEGUARDS

Before use, please read and follow these safety warnings carefully and use the grinder properly. These safety warnings are indicated for the safe and proper use of this product to prevent danger to the user or others and damage to property. When using electrical appliances, basic safety precautions should always be followed, including the following:

GENERAL

- Read all instructions.
- After unpacking the grinder, dispose carefully of the plastic bags and other packaging so that children and others cannot reach them.
- Remove and recycle or discard all stickers, descriptive labels, cable ties, and packing materials, including static stickers and hang tags with ties.
- Never place fingers into the grind chamber while product is plugged in.
- Do not place any utensils in the grinder or grind chute.
- Do not tamper with the finger guard covering the chute.
- This product contains neodymium magnets, one inside the base and one inside the catch. Always keep a safe distance (at least 3.9 in / 10 cm) between magnets and all objects that can be damaged by magnetism.
- Do not use the magnetic catch on top of an electronic scale. The magnetic catch may interfere with the accuracy of or even damage an electronic scale.

ELECTRICAL

- To protect against risk of electric shock, do not immerse cord, plug, or any other part of the grinder in water or other liquid.
- The use of attachments not recommended or sold by the manufacturer may cause fire, electric shock, or injury.

IMPORTANT

- For best performance, operate this appliance for less than 120 seconds per grind cycle with a minimum of 90 seconds rest time maintained between two continuous cycles.
- This grinder cannot be operated for more than a total of 6 minutes within any 10 minute time window. If the working time exceeds 6 minutes, in order to prevent overheating, the grinder is programmed to automatically shut off for a rest period of 30 minutes.

- Use only with AC current and the correct voltage. Ensure that your main supply voltage is the same as that marked on the underside of your grinder. To avoid an electrical overload, do not operate another high-wattage appliance on the same circuit.
- This appliance has a polarized plug (one blade is wider than the other). To reduce the risk of electric shock, this plug will fit a polarized outlet only one way. If the plug does not fully fit in the outlet, reverse the plug. If it still does not fit, contact a qualified electrician. Do not modify the plug in any way.
- A short power supply cord is provided to reduce the risk of becoming entangled in or tripping over a longer cord. If a longer cord is necessary, an appropriate extension cord may be used. The electrical rating of the extension cord must be equal to or greater than the rating of this appliance.
- Take care to arrange cords to not drape over the countertop or tabletop where they can be pulled on by children or tripped over.
- Do not operate the grinder with a damaged cord or plug or if the grinder malfunctions, or is dropped or damaged in any manner. Return the damaged appliance to the nearest authorized service facility for examination, repair, or adjustment.
- To avoid an electrical circuit overload, do not use any high wattage appliance on the same circuit with this appliance.
- To reduce the risk of fire or electric shock, do not remove bottom cover from base, or disassemble base of the grinder in any way. There are no user-serviceable parts inside. Opening the base of the grinder will void the warranty. Repair should be done by authorized service personnel only.

USAGE

- This appliance is intended for household use only. Use for anything other than the intended use will void the warranty.
- Do not use outdoors.
- Do not operate in the presence of explosive and/or flammable fumes.
- Before first use, wipe body of the grinder with a soft, damp cloth. Wipe down magnetically aligned catch and catch lid and dry thoroughly.
- Do not place where the grinder could touch any other source of heat. For example, on or near a hot gas burner or electric burner, in a heated oven, or in a microwave.
- Grinder must be operated on a dry, flat surface away from the edge of the counter to prevent accidental tipping. Vibration during operation may cause the grinder to move.

- Check the load bin for presence of foreign objects before using.
- Use only whole bean coffee in the grinder. Do not put coffee that has already been ground into the grinder. Re-grinding coffee that has already been ground can cause your grinder to wear out faster and will void the warranty.
- Do not put any substances other than coffee beans or grinder cleaner into the grinder.
- Never move the grinder while the unit is in use.
- Never leave the grinder unattended when in use.
- Take care to not tip grinder while in use; this could damage the internal components.
- Avoid contacting moving parts of the grinder. Do not attempt to defeat the safety interlock mechanism.
- This appliance is not intended for use by persons (including children) with reduced physical, sensory, or mental capabilities, or lack of experience and knowledge, unless they are closely supervised and instructed concerning use of the appliance by a person responsible for their safety. Close supervision is necessary when any appliance is used by or near children. Children should be supervised to ensure that they do not play with the appliance.
- Turn the appliance OFF, then unplug from the outlet when not in use, before assembling or disassembling parts, and before cleaning. To unplug, grasp the plug and pull from the outlet. Never pull from the power cord.

SAVE THESE INSTRUCTIONS

CLEANING AND MAINTENANCE

- Always unplug power cord from power outlet before cleaning.
- Before cleaning, we recommend running the empty grinder for 10 seconds to help clear beans/grounds from the burrs and grinds chute.
- Allow parts to stop moving before cleaning the grinder. Do not use the grinder without lid properly placed on load bin.
- Only clean the outside of the grinder with a damp cloth.
- If the grinder is used daily, the burrs should be cleaned at least every three months using tablets (see Automatic Cleaning to the right) or with a stiff brush.
- To clean burrs, remove the burrs following the instructions in the “Removing and Cleaning the Grinding Burrs” section.
- Do not immerse the grinder in water. Do NOT wash the burrs with water.
- Using a stiff brush, gently brush coffee dust off the burrs and replace burrs following the instructions in the “Removing and Cleaning the Grinding Burrs” section.
- To clean the catch, wipe gently with a soft, damp cloth. Dry with a dry cloth after cleaning.
- Wipe grinder exterior and load bin with a soft, damp cloth.

AUTOMATIC CLEANING

- A fast way to clean your grinder is using grinder cleaning tablets like Urnex Grindz™ grinder cleaning tablets. These are designed to prevent clogging by freeing coffee particles stuck to the burrs and absorbing/removing odors and coffee oil residue.
- To use cleaning tablets, make sure all beans are run through your grinder by running it for 10-20 seconds. Use the cleaning tablet instructions to place appropriate amount into grinder. Adjust the grind setting to 11 and press the power button to run the grinder. Grind all of the tablets into the catch. Once complete, we recommend grinding approximately 30 g coffee to remove any tablet residue. Discard the ground tablets/coffee from the catch and clean.

CAUTION!

- Do not use abrasive pads, harsh chemicals, or spray cleaner chemicals to clean. These may damage the surface of the appliance.
- Do not put any part of your grinder in the dishwasher.

CLEARING A JAMMED GRINDER

On occasion, Opus Conical Burr Grinder may become jammed and stop grinding. When this occurs, the grinder will stop grinding before it has finished all the coffee in the hopper and beep "SOS" (save our ship).

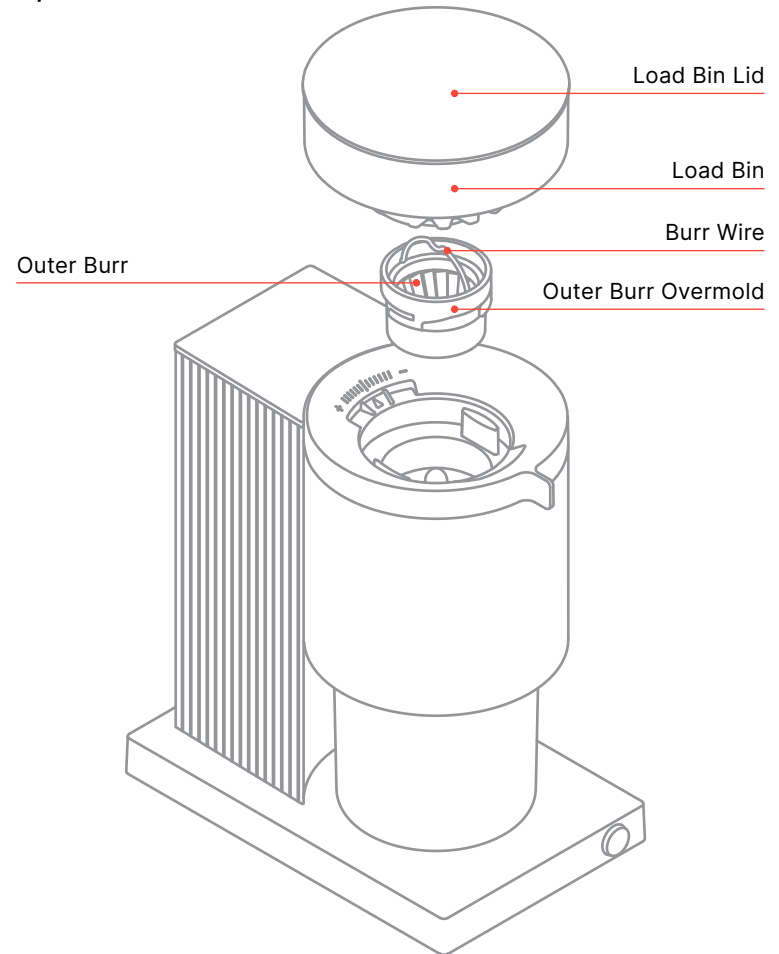
Minor jams can be cleared as follows:

1. Check that the catch is empty. Rotate the grind adjustment ring to setting 11.
2. Tap the grinder firmly on the side several times and shake.
3. Press the power button and continue to firmly tap the side of the grinder for several seconds. If grinding resumes, the jam is cleared. If not, proceed to the instructions for clearing a major jam.

Major jams can be cleared as follows:

1. Unplug the grinder.
2. Start by removing the load bin of the grinder. The load bin is locked in place with a twist-lock mechanism; simply twist counterclockwise (to the left) to unlock it from the grinder, then lift away.
3. Remove the outer burr by grabbing and lifting the burr wire (see **Diagram A**), twisting counterclockwise (to the left) until it unlocks from the grind chamber, then lift away.
4. Clear coffee from the grind chamber and discard.
5. Inspect both burrs for coffee beans or foreign materials (rocks, sticks, unroasted coffee beans, etc.) that may be stuck. Remove all stuck material and clean burrs as instructed in the "Cleaning" section of this manual.
6. Reinstall burr and load bin. Run grinder for 5 seconds to check that it operates as expected. The grinder should spin quietly and at an even speed. If the grinder is making an unexpected noise, repeat this process and carefully inspect to ensure that all coffee particles have been cleared out.
7. If the problem persists, please contact Fellow customer service at help.fellowproducts.com and submit a request.

Diagram A:
Exploded View



REMOVING AND CLEANING THE GRINDING BURRS

CAUTION: The grinding burrs are sharp, please handle carefully!

1. Unplug your grinder and empty it of coffee.
2. Remove the load bin by twisting it counterclockwise (to the left) until it unlocks from the grinder, and lift away.
3. Next remove the outer burr. The outer burr is permanently molded into a plastic carrier with a wire handle attached. This assembly is locked in the grind chamber with a twist-lock mechanism similar to the hopper; simply grab the wire handle and twist counterclockwise (to the left) until the burr carrier disengages from the grinder, then lift away.

Do not disassemble the burrs further. Using a stiff brush, gently brush coffee dust off of the burrs and out of the grind chamber, then replace the outer burr.

WARRANTY

For service, repair, or any questions regarding your Opus Conical Burr Grinder, please visit **Fellowproducts.com/pages/gear-guides**. Do NOT mail the product back to the manufacturer or bring it to a service center without first talking to a Fellow customer service representative.

2-Year Limited Warranty

Fellow warrants this product against any defects that are due to faulty material or workmanship for a two-year period after the original date of consumer purchase.

This warranty is valid only for:

The original consumer.

When the grinder is purchased through authorized retailers.

With the original sales receipt for proof of purchase to make your warranty claim.

This warranty does not include damage to the product resulting from:

Damage caused by accident, misuse, or customer mistakes from repairs that occur from not carefully following the instructions provided by Fellow.

Operation with the wrong type of current or voltage.

Failure to follow cleaning instructions for the grinder.

Failure to comply with any safeguards listed in the warnings and instructions of this document.

Grinding anything other than whole roasted coffee beans or grinder cleaning tablets.

If the product should become defective within the warranty period, or you have questions regarding warranty or service, visit us at **help.fellowproducts.com** and submit a request.

Find more information at:
[Fellowproducts.com/pages/gear-guides](https://www.fellowproducts.com/pages/gear-guides)

789-00024 D