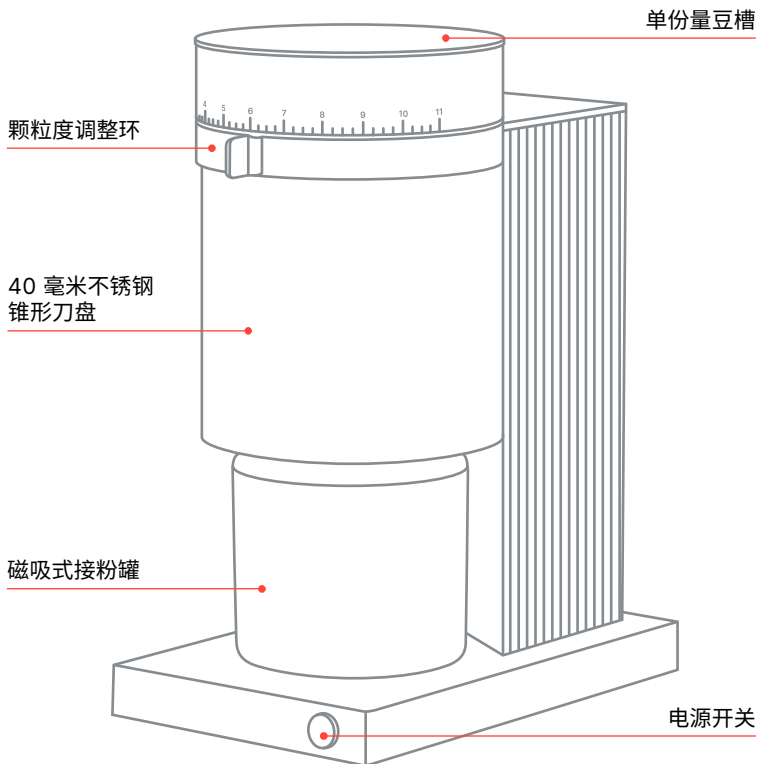


FELLOW®

OPUS™

锥刀磨豆机

安全与维护指南



OPUS 锥刀磨豆机

Fellow Industries Inc.

Fellowproducts.com

总代理：松珀贸易（厦门）有限公司

地址：厦门市火炬高新区同翔高新城布塘中路1656-2号5楼

联系电话：0592-5792747

电子信箱：hello@song-po.com

微信公众号：FELLOWPRODUCTS

产品名称：Opus 锥刀磨豆机

Patent Pending: fellowproducts.com/pages/patents

2年保固 | DESIGN IN SAN FRANCISCO, MADE IN CHINA

型号	规格
APAACN	额定电压 频率 功率： 220V~ 50Hz 150W 重量： 2.27 kg 尺寸（长x宽x高）： 210 mm x 129 mm x 268 mm 单次最大研磨量： 100 g



关注微信公众号：FELLOWPRODUCTS

发送：OPUS

获得更多资料

请阅读所有使用说明。请勿丢弃此安全指南。

重要保护措施

使用前，请仔细阅读以下安全警告，并遵照正确方式使用磨豆机。安全警告的目的是确保您可以安全正确地使用本产品，并防止对使用者或他人造成危险及财产损失。使用本产品时，请务必遵守基本的安全预防措施，包括：

一般措施

- 请阅读所有使用说明。
- 打开磨豆机的包装后，请将塑料袋与其他包装材料妥善收纳，避免让儿童接触。
- 使用前，请移除所有的标签、电线束带和包装材料，包括静电贴纸、吊牌、挂绳等。
- 请勿在产品通电时将手指放入研磨仓。
- 请勿将任何工具放入磨豆机或豆槽。
- 请勿用手指拨弄研磨仓内保护装置。
- 本产品的底座和接粉罐内各含有一块强力磁铁。始终确保磁铁与所有可能受到磁力损坏的物体之间的安全距离（至少 3.9 英寸 / 10 厘米）。
- 请勿在电子秤上使用磁吸接粉罐。
磁吸罐接粉可能干扰电子秤的准确性，甚至会损坏电子秤。

电力措施

- 为防止触电风险，请勿将电线、插头或磨豆机的任何其它部件浸入水中或其它液体中。

注意事项

- 为保证机器的最佳性能，该电器每次研磨不超过 120 秒，并在之后的两次研磨期间至少休息 90 秒。
- 该磨豆机不能在任何 10 分钟的时间段内总共运行超过 6 分钟。如工作时间超过 6 分钟，为防止过热，磨豆机将自动关闭，休息 30 分钟。

- 使用未经推荐或非制造商销售的配件可能引起火灾、触电或其他人身伤害。
- 仅使用交流电和正确的电压。请确认插座电压与磨豆机下方所示相同。为避免电力超载，请勿在同一电路上使用其它大功率电器。
- 为降低电源线缠绕及绊倒的风险，我们提供较短的电源线。如需使用更长的电源线，请使用符合安全规定的排插，排插的额定功率必须大于磨豆机表示的额定功率。
- 请小心整理电线，避免悬吊在桌面或其他物品上。这种情况可能使电线被儿童拉拽，或将人绊倒。
- 请勿使用受损的电线或插头、或在磨豆机出现故障、或机器以任何方式掉落或受损时运行机器。将受损的电器退回至最近的授权服务店检查、修理或调整。
- 为避免电路超载，请勿在同一电路上将该电器与任何大功率电器同时使用。
- 为降低发生火灾或触电的风险，请勿以任何方式拆卸底盖或磨豆机的底座。内部无用户可用的部件。打开磨豆机的底座将导致保修失效。仅应由授权的服务人员进行维修。
- 该电器仅限家用。规范用途之外的任何使用方法，将导致保修失效。
- 请勿在户外使用。
- 如环境存在烟雾、可燃性气体，或爆炸可能时，请勿运行磨豆机。
- 初次使用前，用浸湿的软布擦拭机身。从上到下擦拭磁吸接粉罐及其盖子，并放置在阴凉处晾干。
- 请勿将磨豆机靠近热源周围，例如正在运作的：煤气炉、电磁炉、烤箱以及微波炉周围。
- 磨豆机必须在干燥平坦的表面上运行，请远离台面边缘，防止意外倾倒。运行中的磨豆机会产生震动，震动会导致机器位移。
- 使用前请检查豆槽中是否存在异物。
- 只能将完整的咖啡豆放入磨豆机中研磨。请勿将咖啡粉放入磨豆机中。
- 请避免二次研磨，二次研磨会加速刀盘与磨豆机的损耗，或导致保修失效。

- 请勿用于研磨咖啡豆以外的任何用途。请勿将任何物体投入磨豆机。
- 磨豆机运行时禁止移动。
- 磨豆机运行过程中，请勿离开。
- 请注意使用，不要让磨豆机倾倒，倾倒可能造成内部零件损坏。
- 磨豆机运行时，请勿接触任何高速转动的零部件。请勿损坏保险联锁装置。
- 本产品不适合由体格缺陷、感官缺陷、精神缺陷、或缺乏经验和知识的人士（包括儿童）操作，除非其监护人已针对使用本电器给予了监督或指导。请不要让儿童操作或在儿童附近使用磨豆机。当磨豆机放置在儿童容易接触的位置时，请务必注意安全。
- 不使用、组装或拆卸零件和清洁之前，请确保磨豆机处于关机状态。请握住插头从插座拔出，请勿拉拽电线。

请留存本安全与维护指南

清洗与保养

- 清理磨豆机之前，请务必关闭电源，且将插头从插座拔出。
- 清理前，建议在不投入咖啡豆的情况下，让磨豆机空转10秒，有助于排出刀盘和研磨仓中的咖啡豆/粉。
- 请勿在豆槽盖未正确盖合的情况下使用磨豆机。
- 仅可用湿布清洁磨豆机外部。
- 如果每天使用磨豆机，应使用磨豆机清洁片（参见右侧的“自动清洁”）或用毛刷至少每三个月清洁一次磨盘。
- 清洁刀盘时，按照“移除并清洁研磨刀盘”部分的说明拆卸刀盘。
- 请勿将磨豆机浸入水中。请勿用水清洗刀盘。
- 按照“移除并清洁研磨刀盘”部分的说明用毛刷轻轻刷掉刀盘上的咖啡粉，

并替换刀盘。

- 用浸湿的软布轻轻擦拭接粉罐。清洁后用干布擦干。
- 用浸湿的软布擦拭磨豆机外部和豆槽。

自动清洁

- 使用 Urnex Grindz™ 等磨豆机清洁片可快速清洁磨豆机。这种清洁片可专门去除卡在豆槽中的咖啡颗粒，并吸收/去除异味和咖啡油脂残留物，防止堵塞。
- 使用清洁片时，确保运行磨豆机 10-20 秒，将所有咖啡豆磨完。按照清洁片的说明将适当的量放入磨豆机中。将研磨度调至 11，按下电源键运行磨豆机。将所有清洁片研磨在接粉罐中。完成后，建议研磨约 30 克的咖啡豆，去除任何清洁片残留。丢弃盛粉仓中的研磨片/咖啡豆并清洁干净。

清除堵塞的磨豆机

Opus 锥形磨盘式磨豆机可能偶尔堵塞、无法研磨。这时，磨豆机在豆槽中的咖啡豆研磨完成之前将停止工作，并发出“报警”（SOS）的哔哔声。

轻微堵塞可按照如下方法清除：

1. 检查接粉罐是否清空。转动研磨调节环至 11。
2. 多次用力敲击侧边，并摇动。
3. 按下电源键，继续用力敲击磨豆机的侧边多秒。如果恢复研磨，则堵塞已清除。如未恢复，继续按照说明清空严重堵塞的部位。

注意！

- 请勿使用磨砂布、刺激性强的化学品或化学喷雾清洁剂清洁。它们可能损坏电器的表面。
- 请勿将磨豆机的任何零件放入洗碗机中。

严重堵塞可按照如下方法清除：

1. 拔下磨豆机的插头。
2. 首先取下磨豆机的豆槽。豆槽凭借转锁装置锁定，只需逆时针（向左）转动解锁，然后将其拿起。
3. 提握住外刀盘的提把（**参见图A**），逆时针（向左）转动解锁，将其从研磨仓中取出。
4. 清除并丢弃研磨仓中的咖啡渣。
5. 检查刀盘中是否有可能打造堵塞的咖啡豆或异物（石头、树枝、未烘熟的咖啡豆等）。如有必要，拆掉下方“拆卸和替换刀盘”部分中描述的内置刀盘。去除所有堵塞的物质，并按照本手册“清洁”部分中的说明清洁刀盘。
6. 重新装上刀盘与豆槽。运行磨豆机 5 秒，检查是否达到理想的运行状态。磨豆机转动时应低声匀速。如果磨豆机发出异常噪音，重复这个步骤，并仔细检查，确保已清除所有咖啡残渣。
7. 如您的Opus磨豆机需要服务、保修，或有任何问题，欢迎通过微信公众号：FELLOWPRODUCTS 或拨打0592-5792747与我们联系。在与FELLOW公司客服代表首次沟通前，请勿擅自将产品寄回生产厂家或带往服务中心。微信公众号：Fellowproducts | 小红书：Fellowproducts。

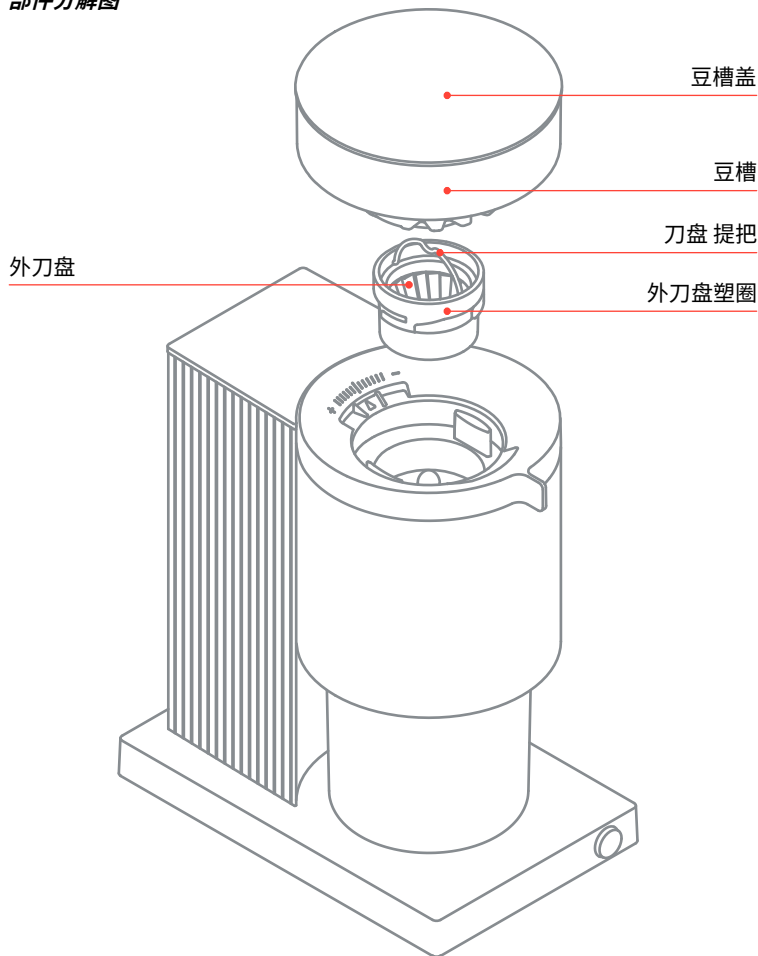
移除并清洁研磨刀盘

注意：更换刀盘十分锋利，请小心处理！

1. 拔下磨豆机的插头，清空咖啡豆。
2. 逆时针（向左）转动解锁，提起并拿起豆槽。
3. 然后拿走外刀盘。外刀盘固定在塑圈中，附有金属手柄。外刀盘利用与豆槽相似的转锁装置锁入研磨仓中；只需握住金属手柄逆时针（向左）转动，直至刀盘塑圈与磨豆机脱离，然后将其拿起。

无需进一步拆除刀盘。用毛刷轻轻刷除刀盘和研磨仓的咖啡粉，然后更换外刀盘。

图 A：
部件分解图



保修

请访问 **微信公众号：FELLOWPRODUCTS** 了解 Opus 锥刀磨豆机的服务、维修或任何问题。若未先联系 Fellow 客户服务代表，请勿将产品寄回制造商，或带至服务中心。

两年有限质保

Fellow 为本产品因材料或做工缺陷导致的任何瑕疵提供原始购买日期起的两年质保。

此保修仅适用于：

原始消费者。

在授权零售商购买的磨豆机。

原始购买证明收据，以获得保修索赔。

此保修不包括由于以下原因导致的产品损坏：

由意外、使用不当或顾客未按照 Fellow 提供的说明谨慎维修导致的错误而造成的损坏。


使用错误的电流或电压运行机器。

未遵守磨豆机清洁说明。

未遵守本文件警告和说明中列出的任何保护措施。

研磨烘烤过的整颗咖啡豆或磨豆机清洁片以外的任何物质。

如您的Opus磨豆机需要服务、保修，或有任何问题，欢迎通过**微信公众号：FELLOWPRODUCTS**或拨打0592-5792747与我们联系。在与Fellow公司客服代表首次沟通前，请勿擅自将产品寄回生产厂家或带往服务中心。
微信公众号：Fellowproducts | 小红书：Fellowproducts。

部件名称	有毒有害物质成份含量					
	铅 (Pb)	汞 (Hg)	镉 (Cd)	六价铬 (Cr6 ⁺)	多溴联苯 (PBB)	多溴二苯醚 (PBDE)
电源板	×	○	○	○	○	○
<p>"○":表示该有害物质在该部件所有均质材料中的含量均在GB/T 26572-2011规定的限量要求以下。</p> <p>"×":表示该有害物质至少在该部件的某一均质材料中的含量由于现有技术及工艺限制而超出GB/T 26572-2011规定的限量要求。</p> <p>在上述表格中，标注“×”的部件满足欧盟ROHS 2.0法规---欧盟电子电器产品中限制使用某些有害物质的2011/65/EU法规。</p> <p> 在中华人民共和国境内销售的电器电子产品上将印有“环保使用期限”符号。圆圈中的数字代表产品的正常环保使用期限。</p>						

食品接触用 材料明细

本产品食品接触用材料及部分符合相应食品安全国家标准要求，具体信息如下

APG 与食物接触的零部件清单					
序号	零部件名称	PART NAME	材料	类型/牌号	符合标准
1	咖啡豆箱	HOPPER	ABS 塑料	ABS TR557 INP	GB4806.6-2016 GB4806.7-2016
2	豆箱盖	HOPPER LID	ABS 塑料	ABS 750SW	
3	豆槽盖	HOPPER UMBRELLA	ABS 塑料	ABS 750SW	
4	杯盖	CATCH LID	ABS 塑料	ABS 750SW	
5	量杯	PF DOSING CUP	ABS 塑料	ABS 750SW	
6	杯内胆	CATCH INNER	ABS 塑料	ABS 750SW	
7	刀盘支架	OUTER BURR OVERMOLD	PA66 塑料	PA66 A3EG6 (30%GF)	GB4806.6-2016 GB4806.7-2016
8	咖啡通道	CHUTE	PP 塑料	PP HJ801R	GB4806.6-2016 GB4806.7-2016
9	齿轮1	ROTOR	POM 塑料	POM F20-03	GB4806.6-2016 GB4806.7-2016
10	锥刀	INNER BURR	420不锈钢	不锈钢30Cr13	GB4806.9-2016
11	刀盘	OUTER BURR	420不锈钢	不锈钢30Cr13	
12	磨豆支架	OUTER BURR CARRIER	PA66 塑料	PA66 A3EG6 (30%GF)	GB4806.6-2016 GB4806.7-2016
13	齿轮上盖	UPPER GEARBOX HOUSING	PA66 塑料	PA66 A3EG6 (30%GF)	GB4806.6-2016 GB4806.7-2016
14	中心轴	CENTRAL SHAFT	304不锈钢	不锈钢06Cr19Ni10	GB4806.9-2016
15	平垫圈	FLAT WASHER	304不锈钢	不锈钢06Cr19Ni10	
16	内齿锁紧垫圈	LOCK WASHER	304不锈钢	不锈钢06Cr19Ni10	
17	盖形螺母	CAP NUT	304不锈钢	不锈钢06Cr19Ni10	
18	磨轮提手	BURR WIRE	304不锈钢	不锈钢06Cr19Ni10	

OPUS CONICAL BURR GRINDER

Fellow Industries Inc.

Fellowproducts.com

Tel: 0592-5792747

Email: hello@song-po.com

WeChat: FELLOWPRODUCTS

Product Name: Opus Conical Burr Grinder

Patents and Patents Pending: fellowproducts.com/pages/patents

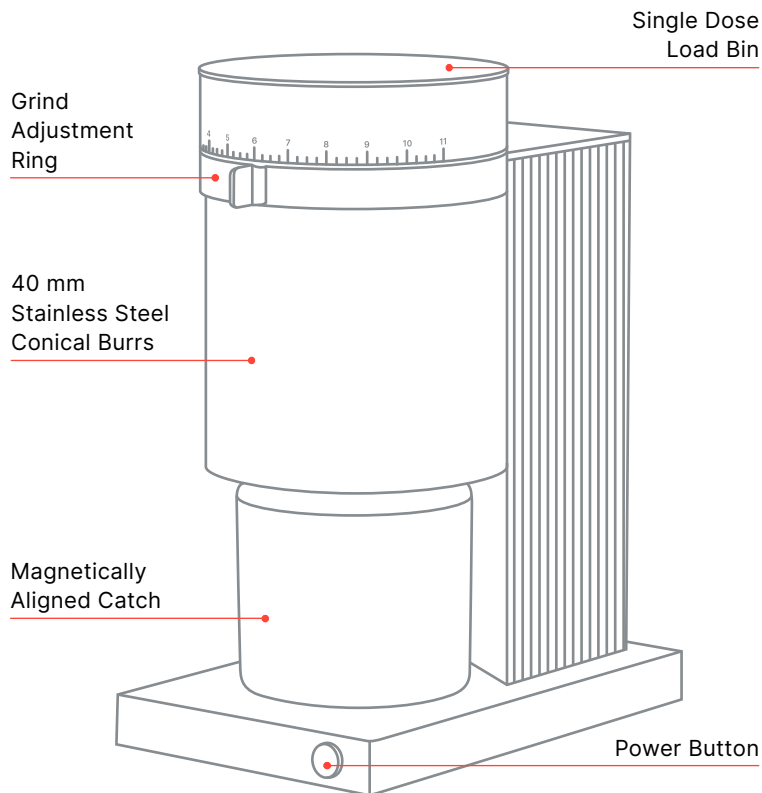
2-Year Limited Warranty | Designed in San Francisco, Made in China

MODEL	SPECIFICATIONS
APAACN	220V 50Hz 150W Weight: 2.27 kg Dimensions (LxWxH): 210 mm x 129 mm x 268 mm Grinds Capacity: 100 g



Follow us on Wechat Official Account: Fellowproducts
Send "Opus" to get more details.

Product Overview



**READ ALL INSTRUCTIONS.
DO NOT THROW AWAY THIS SAFETY GUIDE.**

IMPORTANT SAFEGUARDS

Before use, please read and follow these safety warnings carefully and use the grinder properly. These safety warnings are indicated for the safe and proper use of this product to prevent danger to the user or others and damage to property. When using electrical appliances, basic safety precautions should always be followed, including the following:

GENERAL

- Read all instructions.
- After unpacking the grinder, dispose carefully of the plastic bags and other packaging so that children and others cannot reach them.
- Remove and recycle or discard all stickers, descriptive labels, cable ties, and packing materials, including static stickers and hang tags with ties.
- Never place fingers into the grind chamber while product is plugged in.
- Do not place any utensils in the grinder or grind chute.
- Do not tamper with the finger guard covering the chute.
- This product contains neodymium magnets, one inside the base and one inside the catch. Always keep a safe distance (at least 3.9 in / 10 cm) between magnets and all objects that can be damaged by magnetism.
- Do not use the magnetic catch on top of an electronic scale. The magnetic catch may interfere with the accuracy of or even damage an electronic scale.

ELECTRICAL

- To protect against risk of electric shock, do not immerse cord, plug, or any other part of the grinder in water or other liquid.

IMPORTANT

- For best performance, operate this appliance for 120 seconds or less per grind cycle, with a minimum of 90 seconds rest time maintained between two continuous cycles.
 - This grinder cannot be operated for more than a total of 6 minutes within any 10 minute time window. If the working time exceeds 6 minutes, in order to prevent overheating, the grinder is programmed to automatically shut off for a rest period of 30 minutes.
- The use of attachments not recommended or sold by the manufacturer may cause fire, electric shock, or injury.
 - Use only with AC current and the correct voltage. Ensure that your main supply voltage is the same as that marked on the underside of your grinder. To avoid an electrical overload, do not operate another high-wattage appliance on the same circuit.
 - This appliance has a polarized plug (one blade is wider than the other). To reduce the risk of electric shock, this plug will fit a polarized outlet only one way. If the plug does not fully fit in the outlet, reverse the plug. If it still does not fit, contact a qualified electrician. Do not modify the plug in any way.
 - A short power supply cord is provided to reduce the risk of becoming entangled in or tripping over a longer cord. If a longer cord is necessary, an appropriate extension cord may be used. The electrical rating of the extension cord must be equal to or greater than the rating of this appliance.
 - Take care to arrange cords to not drape over the countertop or tabletop where they can be pulled on by children or tripped over.
 - Do not operate the grinder with a damaged cord or plug or if the grinder malfunctions, or is dropped or damaged in any manner. Return the damaged appliance to the nearest authorized service facility for examination, repair, or adjustment.
- To avoid an electrical circuit overload, do not use any high wattage appliance on the same circuit with this appliance.
 - To reduce the risk of fire or electric shock, do not remove bottom cover from base, or disassemble base of the grinder in any way. There are no user-serviceable parts inside. Opening the base of the grinder will void the warranty. Repair should be done by authorized service personnel only.

USAGE

- This appliance is intended for household use only. Use for anything other than the intended use will void the warranty.
- Do not use outdoors.
- Do not operate in the presence of explosive and/or flammable fumes.
- Before first use, wipe body of the grinder with a soft, damp cloth. Wipe down magnetically aligned catch and catch lid and dry thoroughly.
- Do not place where the grinder could touch any other source of heat. For example, on or near a hot gas burner or electric burner, in a heated oven, or in a microwave.
- Grinder must be operated on a dry, flat surface away from the edge of the counter to prevent accidental tipping. Vibration during operation may cause the grinder to move.
- Check the load bin for presence of foreign objects before using.
- Use only whole bean coffee in the grinder. Do not put coffee that has already been ground into the grinder. Re-grinding coffee that has already been ground can cause your grinder to wear out faster and will void the warranty.
- Do not put any substances other than coffee beans or grinder cleaner into the grinder.

- Never move the grinder while the unit is in use.
- Never leave the grinder unattended when in use.
- Take care to not tip grinder while in use; this could damage the internal components.
- Avoid contacting moving parts of the grinder. Do not attempt to defeat the safety interlock mechanism.
- This appliance is not intended for use by persons (including children) with reduced physical, sensory, or mental capabilities, or lack of experience and knowledge, unless they are closely supervised and instructed concerning use of the appliance by a person responsible for their safety. Close supervision is necessary when any appliance is used by or near children. Children should be supervised to ensure that they do not play with the appliance.
- Turn the appliance OFF, then unplug from the outlet when not in use, before assembling or disassembling parts, and before cleaning. To unplug, grasp the plug and pull from the outlet. Never pull from the power cord.

SAVE THESE INSTRUCTIONS

CLEANING AND MAINTENANCE

- Always unplug power cord from power outlet before cleaning.
- Before cleaning, we recommend running the empty grinder for 10 seconds to help clear beans/grounds from the burrs and grinds chute.
- Allow parts to stop moving before cleaning the grinder. Do not use the grinder without lid properly placed on load bin.
- Only clean the outside of the grinder with a damp cloth.

CAUTION!

- Do not use abrasive pads, harsh chemicals, or spray cleaner chemicals to clean. These may damage the surface of the appliance.
- Do not put any part of your grinder in the dishwasher.
- If the grinder is used daily, the burrs should be cleaned at least every three months using tablets (see Automatic Cleaning to the right) or with a stiff brush.
- To clean burrs, remove the burrs following the instructions in the "Removing and Cleaning the Grinding Burrs" section.
- Do not immerse the grinder in water. Do NOT wash the burrs with water.
- Using a stiff brush, gently brush coffee dust off the burrs and replace burrs following the instructions in the "Removing and Cleaning the Grinding Burrs" section.
- To clean the catch, wipe gently with a soft, damp cloth. Dry with a dry cloth after cleaning.
- Wipe grinder exterior and load bin with a soft, damp cloth.

AUTOMATIC CLEANING

- A fast way to clean your grinder is using grinder cleaning tablets like Urnex Grindz™ grinder cleaning tablets. These are designed to prevent clogging by freeing coffee particles stuck to the burrs and absorbing/removing odors and coffee oil residue.
- To use cleaning tablets, make sure all beans are run through your grinder by running it for 10-20 seconds. Use the cleaning tablet instructions to place appropriate amount into grinder. Adjust the grind setting to 11 and press the power button to run the grinder. Grind all of the tablets into the catch. Once complete, we recommend

grinding approximately 30 g coffee to remove any tablet residue. Discard the ground tablets/coffee from the catch and clean.

CLEARING A JAMMED GRINDER

On occasion, Opus Conical Burr Grinder may become jammed and stop grinding. When this occurs, the grinder will stop grinding before it has finished all the coffee in the hopper and beep “SOS” (save our ship).

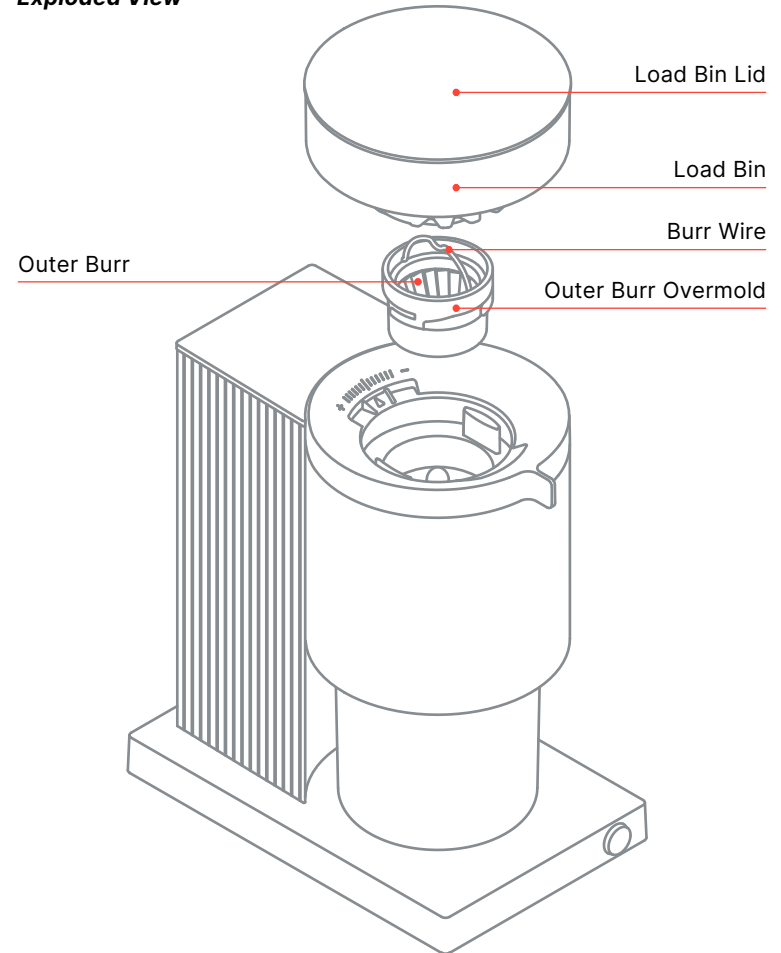
Minor jams can be cleared as follows:

1. Check that the catch is empty. Rotate the grind adjustment ring to setting 11.
2. Tap the grinder firmly on the side several times and shake.
3. Press the power button and continue to firmly tap the side of the grinder for several seconds. If grinding resumes, the jam is cleared. If not, proceed to the instructions for clearing a major jam.

Major jams can be cleared as follows:

1. Unplug the grinder.
2. Start by removing the load bin of the grinder. The load bin is locked in place with a twist-lock mechanism; simply twist counterclockwise (to the left) to unlock it from the grinder, then lift away.
3. Remove the outer burr by grabbing and lifting the burr wire (see **Diagram A**), twisting counterclockwise (to the left) until it unlocks from the grind chamber, then lift away.
4. Clear coffee from the grind chamber and discard.
5. Inspect both burrs for coffee beans or foreign materials (rocks, sticks, unroasted coffee beans, etc.) that may be stuck. Remove all stuck material and clean burrs as instructed in the “Cleaning” section of this manual.

Diagram A:
Exploded View



6. Reinstall burr and load bin. Run grinder for 5 seconds to check that it operates as expected. The grinder should spin quietly and at an even speed. If the grinder is making an unexpected noise, repeat this process and carefully inspect to ensure that all coffee particles have been cleared out.
7. If your Opus grinder needs service, warranty, or has any questions, please contact us through the WeChat public account: FELLOWPRODUCTS or call 0592-5792747. Do not send the product back to the manufacturer or take it to the service center without first communicating with the customer service representative of Fellow. WeChat public account: Fellowproducts

REMOVING AND CLEANING THE GRINDING BURRS

CAUTION: The grinding burrs are sharp, please handle carefully!

1. Unplug your grinder and empty it of coffee.
2. Remove the load bin by twisting it counterclockwise (to the left) until it unlocks from the grinder, and lift away.
3. Next remove the outer burr. The outer burr is permanently molded into a plastic carrier with a wire handle attached. This assembly is locked in the grind chamber with a twist-lock mechanism similar to the hopper; simply grab the wire handle and twist counterclockwise (to the left) until the burr carrier disengages from the grinder, then lift away.

Do not disassemble the burrs further. Using a stiff brush, gently brush coffee dust off of the burrs and out of the grind chamber, then replace the outer burr.

WARRANTY

For service, repair, or any questions regarding your Opus Conical Burr Grinder, please visit the WeChat Official Account: FELLOWPRODUCTS. Do NOT mail the product back to the manufacturer or bring it to a service center without first talking to a Fellow customer service representative.

2-Year Limited Warranty

Fellow warrants this product against any defects that are due to faulty material or workmanship for a two-year period after the original date of consumer purchase.

This warranty is valid only for:

The original consumer.

When the grinder is purchased through authorized retailers.

With the original sales receipt for proof of purchase to make your warranty claim.

This warranty does not include damage to the product resulting from:

Damage caused by accident, misuse, or customer mistakes from repairs that occur from not carefully following the instructions provided by Fellow.

Operation with the wrong type of current or voltage.

Failure to follow cleaning instructions for the grinder.

Failure to comply with any safeguards listed in the warnings and instructions of this document.

Grinding anything other than whole roasted coffee beans or grinder cleaning tablets.

For service, repair, or any questions regarding your Opus Conical Burr Grinder, please visit the WeChat Official Account: FELLOWPRODUCTS.

Find more information at:

RedBook: Fellowproducts | WeChat: Fellowproducts