

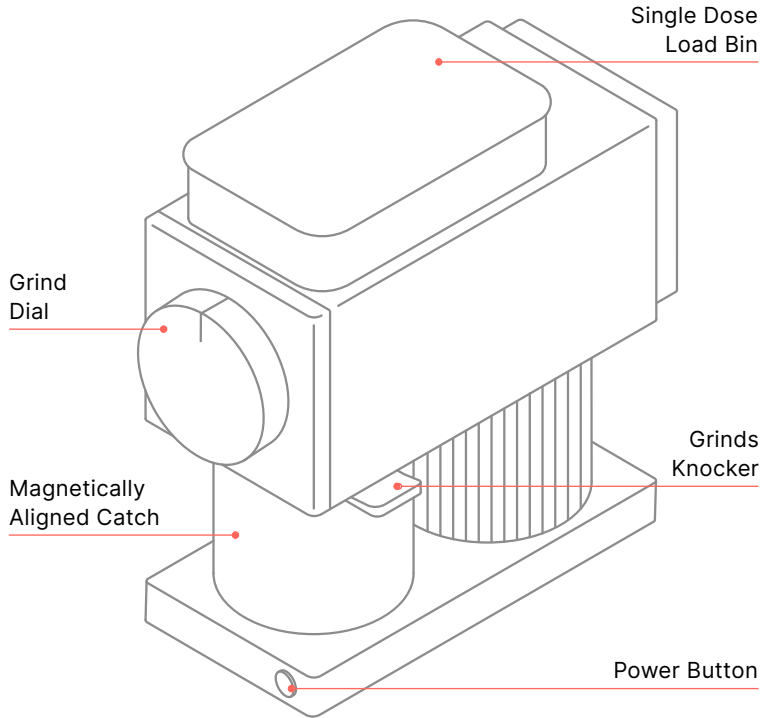
FELLOW®

ODE

Brew Grinder

**SAFETY AND MAINTENANCE
SÉCURITÉ ET ENTRETIEN
SEGURIDAD Y MANTENIMIENTO**

Product Overview



ODE BREW GRINDER

Fellow Industries Inc.

Fellowproducts.com

Email: hello@fellowproducts.com

San Francisco, CA 94110

Product Name: Ode Brew Grinder Gen 2

Patents and Patents Pending: fellowproducts.com/pages/patents

2-Year Limited Warranty | Designed in San Francisco, Made in China

MODEL	SPECIFICATIONS
NGAAUS	120V / 150W / 60Hz Weight: 4.6 kg / 10.14 lbs Dimensions (LxWxH): 239 mm x 105 mm x 248.3 mm Grinds Capacity: 100 g Cord length: 1 m



USA and Canada: household only

**THIS PRODUCT IS FOR
USA AND CANADA: HOUSEHOLD USE ONLY
SAVE THESE INSTRUCTIONS**

More info at [Fellowproducts.com/pages/gear-guides](https://fellowproducts.com/pages/gear-guides)

**READ ALL INSTRUCTIONS.
DO NOT THROW AWAY THIS SAFETY GUIDE.**

WARNING!

Shock Hazard: This appliance has a grounded, three-pronged plug. To ensure protection against risk of electric shock or fire, connect to properly grounded outlets only. The plug fits only one way into an outlet. Do not defeat the safety purpose of the plug by modifying the plug in any way or using an adapter. Do not plug this appliance into an outlet with a voltage other than specified on the bottom of this appliance.

Do not use an adapter with this appliance.

A short power supply cord is provided to reduce the risk of becoming entangled in or tripping over a longer cord. If a longer cord is necessary, an approved extension cord may be used. The electrical rating of the extension cord must be equal to or greater than the rating of this appliance. Take care to arrange the extension cord to not drape over the countertop or tabletop where it can be pulled on by children or tripped over. To avoid an electrical circuit overload, do not use any high wattage appliance on the same circuit with this appliance.

IMPORTANT SAFEGUARDS

Before use, please read these safety warnings carefully and use the grinder properly. These safety warnings are indicated for the safe and proper use of this product to prevent danger to the user or others and damage to property.

When using electrical appliances, basic safety precautions should always be followed, including the following:

- After unpacking the grinder, dispose carefully of the plastic bags and other packaging so that children and others cannot reach them.
- This appliance has a grounded, three-pronged plug and must be grounded with a three-pronged outlet when in use. To ensure protection against risk of electric shock or fire, connect to properly grounded outlets only.
- Do not immerse cord, plug, or any other part of the grinder in water or other liquid to protect against risk of electrical shock.
- The use of attachments not recommended or sold by the manufacturer may cause fire, electric shock, or injury.
- Use only with AC current and the correct voltage. Ensure that your main supply voltage is the same as that marked on the underside of your grinder. To avoid an electrical overload, do not operate another high-wattage appliance on the same circuit.
- Never leave the grinder unattended when in use. Close supervision is necessary when any appliance is used by or near children. Do not use within a child's reach.
- This appliance is not intended for use by persons (including children) with reduced physical, sensory, or mental capabilities, or lack of experience and knowledge, unless they are closely supervised and instructed concerning use of the appliance by

IMPORTANT

- For proper use, operate this appliance for less than 90 seconds per time with a minimum of 90 seconds rest time maintained between a continuous two cycles.
- The grinder can not work for 6 minutes continuously within 10 minutes, and it must rest for 30 minutes if the working time exceeds 6 minutes.

a person responsible for their safety. Close supervision is necessary when any appliance is used by or near children. Children should be supervised to ensure that they do not play with the appliance.

- Grinder must be operated on a dry, flat surface away from the edge of the counter to prevent accidental tipping. Vibration during operation may cause the grinder to move.
- Do not place where the grinder could touch any other source of heat. For example, on or near a hot gas burner or electric burner, in a heated oven, or in a microwave.
- Avoid contact with moving parts of the grinder.
- Do not tamper with the finger guard covering the electrically grounded chute.
- Never move the grinder while the unit is in use.
- Check the load bin for any foreign objects that are not coffee beans before using.
- Do not put any substances other than coffee beans and grinder cleaner into the grinder.
- Use only whole bean coffee in the grinder. Do not put coffee that has already been ground into the grinder. Re-grinding coffee that has already been ground can cause your grinder to wear out faster and will void the warranty.

CAUTION!

- Please read all use instructions fully before turning on and using your grinder.
- Do not use abrasive pads, harsh chemicals, or spray cleaner chemicals to clean. These may damage the surface of the appliance.
- Do not put any part of your grinder in the dishwasher.
- Turn the appliance OFF, then unplug from the outlet when not in use, before assembling or disassembling parts and before cleaning. Allow parts to stop moving before cleaning the grinder. Do not use the grinder without lid properly placed on load bin.
- Only clean the outside of the grinder with a damp cloth.
- Take care to not tip grinder, this could damage the knocker and internal components.
- To unplug, grasp plug and remove from the outlet. Never pull on the cord.
- Do not let cord hang over the edge of a table or counter.
- Do not operate the grinder with a damaged cord or plug, if the grinder malfunctions, or is dropped or damaged in any manner. Return the appliance to the nearest authorized service facility for examination, repair, or adjustment.
- If you're having trouble with jamming or any other issues, visit **[Fellowproducts.com/pages/gear-guides](https://www.fellowproducts.com/pages/gear-guides)** for help.
- Do not use for any purpose other than grinding whole bean coffee.
- This appliance is intended for household use only. Use for anything other than intended use will void the two-year warranty.

- This product contains neodymium magnets. Children should NEVER be allowed to play with NEODYMIUM magnets. Even relatively small magnets can cause serious injury if swallowed. Always keep all neodymium magnets out of the reach of children.
- Always keep a safe distance (at least 10 cm) between magnets and all objects that can be damaged by magnetism and remember, neodymium magnets are ten times stronger than 'ordinary' magnets! Items such as mechanical watches, heart pacemakers, CRT monitors and televisions, credit cards, diskettes, and other magnetically stored media such as video tapes are all affected by powerful magnets.
- Do not use the magnetic catch on top of an electronic scale. The magnetic catch may interfere with the accuracy of or even damage an electronic scale. It is not recommended to use the magnetic catch on top of an electronic scale.
- To reduce the risk of fire or electric shock, do not remove bottom cover from base or disassemble base of the grinder in any way. There are no user-serviceable parts inside. Repair should be done by authorized service personnel only. Opening base of the grinder will result in a void of the two-year warranty.
- Do not operate in the presence of explosive and/or flammable fumes.

SAVE THESE INSTRUCTIONS

CLEANING AND USE

BEFORE USE

Remove and recycle or discard all stickers, descriptive labels, cable ties and packing materials, including static stickers and hang tags with ties.

Before cleaning, we recommend running the grinder for 10 seconds without coffee beans to help clear beans/grounds from the burrs and grinds chute.

Always unplug power cord from power outlet before cleaning.

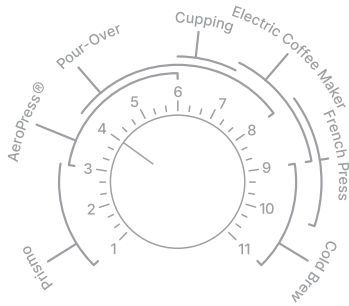
Wipe body of the grinder with a soft, damp cloth. Wipe down magnetically aligned catch and catch lid and dry thoroughly.

Place grinder on a level surface and plug into a correct voltage.

HOW TO USE

1. Select grind size by twisting the grinds dial to the left or right (1 = fine, 11 = coarse). See our Grind Guide (**Diagram A**) to help make your selection.
2. Remove the lid from the single dose load bin by lifting off.
3. Pour the desired quantity of roasted whole coffee beans into the load bin up to a maximum of 100 g /3.5 oz. Replace the lid. Ensure the catch is fully beneath the chute and is empty. *Do not grind more than 100 g of coffee without emptying the catch. Allowing the catch to overfill can jam the grinder.*
4. Press power button. The grinder will start grinding and stop automatically once your beans are done grinding. OR press and hold the power button for more than 1.5 seconds. The grinder will grind until the button is released.

Diagram A: Grind Guide



GENERAL CLEANING

If the grinder is used daily, the burrs should be cleaned at least every three months using tablets (see below for Automatic Cleaning) or with a stiff brush.

To clean burrs, remove the burrs following the instructions in the "Removing and Replacing Burrs" section.

Do NOT immerse the grinder in water. Do NOT wash the burrs with water.

Never place fingers into the grind chute while product is plugged in.

Using the provided brush, gently brush coffee dust off of the burrs and replace burrs following the instructions in the "Removing and Replacing Burrs" section.

To wash the catch, wipe gently with a soft cloth and warm soapy water. Dry with a dry cloth after cleaning.

Wipe grinder exterior and load bin with a soft, damp cloth.

AUTOMATIC CLEANING

A fast way to clean your grinder is using grinder cleaning tablets like Urnex Grindz™ grinder cleaning tablets. These are designed to prevent clogging by freeing coffee particles stuck to the burrs and absorbing/removing odors and coffee oil residue.

To use cleaning tablets, make sure all beans are run through your grinder by running it for 10-20 seconds. Use the cleaning tablet instructions to place appropriate amount into grinder. Adjust the grind setting to 11 and press the power button to run the grinder. Grind all of the tablets into the catch. Once complete, we recommend grinding approximately 30 g coffee to remove any tablet residue. Discard the ground tablets/coffee from the catch and clean.

MAINTENANCE

Any other servicing should be performed by an authorized service representative.

CLEARING A JAMMED GRINDER

On occasion, Ode Brew Grinder may become jammed and stop grinding. When this occurs, the grinder will stop grinding before it has finished all the coffee in the hopper and beep "SOS" (save our ship).

Minor jams can be cleared as follows:

1. Check that the catch is empty. Turn the grinds dial to setting 11.
2. Tap the grinder firmly on the side several times and shake.
3. Press the power button and continue to firmly tap the side of the grinder for several seconds. If grinding resumes, the jam is cleared. If not, proceed to the instructions for clearing a major jam.

Major jams can be cleared as follows:

1. Unplug the grinder.
2. Remove the burrs as instructed in the “Removing and Replacing Burrs” section of this manual.
3. Clear coffee from the grinds chamber and discard.
4. Inspect burrs for coffee beans or foreign materials (rocks, sticks, unroasted coffee bean, etc.) that may be stuck. Remove stuck coffee beans and clean burrs as instructed in the “Cleaning” section of this manual.
5. Reinstall burrs. Run grinder without coffee for 5 seconds to check that it operates as expected. The grinder should spin quietly and at an even speed. If the grinder is making an unexpected noise, repeat this process and carefully inspect to ensure that all coffee particles have been cleared out. If the problem persists, please contact Fellow customer service at help.fellowproducts.com.

REMOVING AND REPLACING THE GRINDING BURRS

CAUTION: The Grinding Burrs are sharp, please handle carefully!

1. Unplug your grinder and empty it of coffee.
2. Start by removing the faceplate of the grinder. The faceplate simply snaps on and off. Pull gently on the faceplate for it to snap off. See **Diagram B** for reference.
3. Using a Phillips-head screwdriver, unscrew the four larger size screws that have arrows pointing to them. See **Diagram C** for reference.
4. Pull on grind dial to remove the grinds dial assembly.
5. Carefully remove the rotational burr/auger (the burr closest to you), auger key, and spring from the grinds chamber by pressing in.

Diagram B:
Exploded View

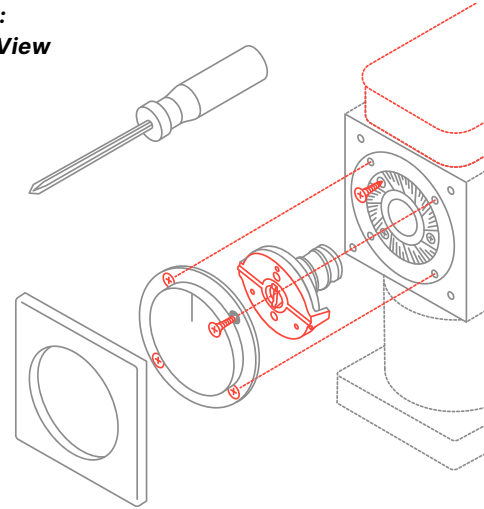


Diagram C

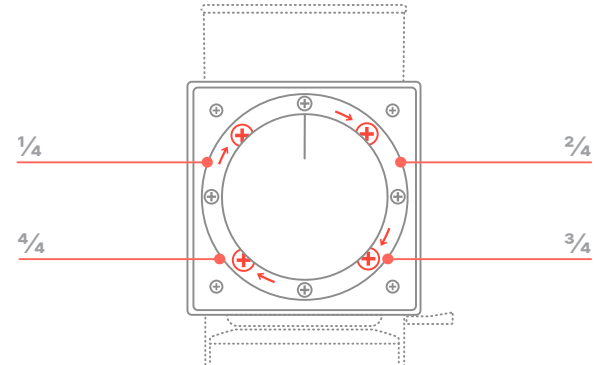


Diagram D

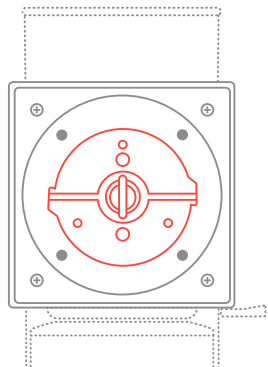


Diagram E

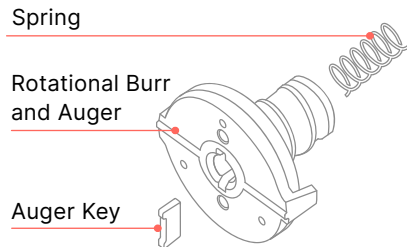
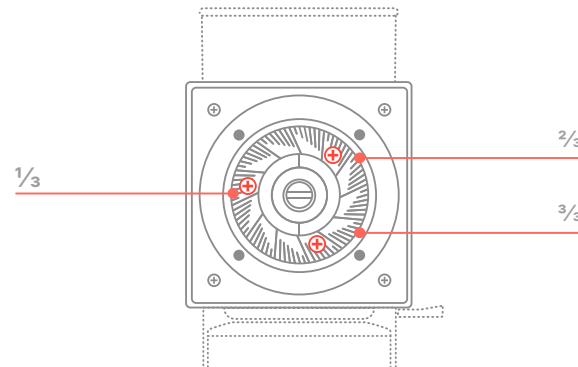


Diagram F



Take care not to lose any pieces as you remove. See **Diagrams D & E** for reference. If you are just cleaning, do not disassemble the burrs further. Using the provided brush, gently brush coffee dust off of the burrs and replace burrs.

If you are replacing the burrs, continue onto the next steps.

6. The stationary burr is attached to the grinds chamber. To remove the stationary burr, start by using a Phillips-head screwdriver to remove the three screws that hold it in place. If there is ground coffee in these screws that interferes with their removal, use a small brush to clear the ground coffee before attempting to remove the screws. Carefully remove the stationary burr (**Diagram F**).
7. The rotational burr is attached to the auger. To remove the rotational burr, start by using a Phillips-head screwdriver to remove the three screws that hold it in place. If there is ground coffee in these screws that interferes with their removal, use a small brush to clear the ground coffee before attempting to remove the screws (**Diagrams G & H**).

Diagram G

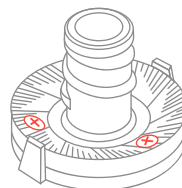
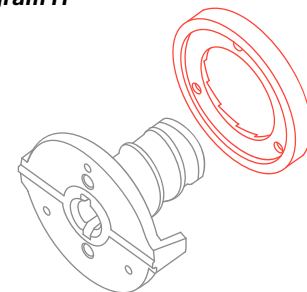


Diagram H



8. Carefully lift the rotational burr away from the auger.

To replace the burrs, repeat these steps in reverse order. Make sure that the rotational burr is reattached to the auger and that the stationary burr is reattached to the grinds chamber.

CALIBRATING YOUR ODE BREW GRINDER

Ode Brew Grinder is designed for brewing coffee and cannot grind fine enough for most espresso-machines. However, if you like to grind finely for AeroPress® Coffee Maker, Prismo, Hario V60, or other brewing methods, you may want to make sure that where the burrs touch, or “zero point,” of your grinder is correctly calibrated to better achieve this range.

Your grinder arrives calibrated from the factory. As the burrs are seasoned, the burr touch point will drift slightly which is normal and as such you should expect the settings to shift slightly coarser.

Keeping your grinder calibrated so that Setting 1 is always 1 click away from the burr touch point helps keep the grinding performance consistent over the life of your grinder.

Find more information at: [Fellowproducts.com/pages/gear-guides](https://fellowproducts.com/pages/gear-guides)

WARRANTY

For service, repair, or any questions regarding your Ode Brew Grinder, please visit [Fellowproducts.com/pages/gear-guides](https://fellowproducts.com/pages/gear-guides). Do NOT mail the product back to the manufacturer or bring it to a service center without first talking to a Fellow customer service representative.

2-Year Warranty Register For An Additional Year*

Fellow warrants this product against any defects that are due to faulty material or workmanship for a two-year period after the original date of consumer purchase. For an additional year of coverage,* register your product with Fellow at register.fellowproducts.com.

This warranty is valid only for:

The original consumer.

When the grinder is purchased through authorized retailers.

With the original sales receipt for proof of purchase to make your warranty claim.

This warranty does not include damage to the product resulting from:

Accident, misuse, or repairs performed by unauthorized personnel. Operation with the wrong type of current or voltage.

Failure to follow cleaning instructions for the grinder.

Failure to comply with any safeguards listed in the warnings and instructions of this document.

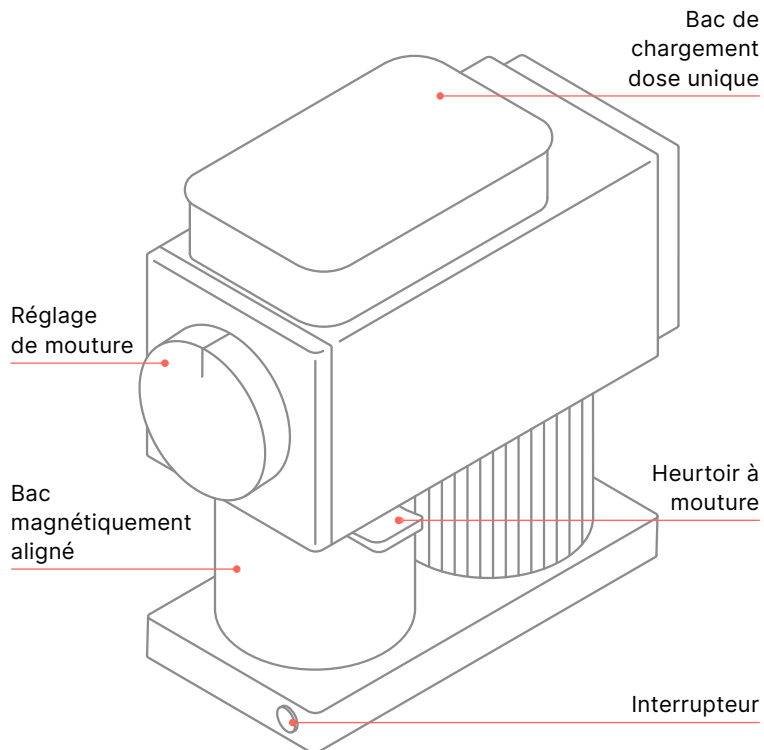
Grinding anything other than whole roasted coffee beans.

If the product should become defective within the warranty period, or you have questions regarding warranty or service, visit us at help.fellowproducts.com and submit a request.

Find more information at:
[Fellowproducts.com/pages/gear-guides](https://fellowproducts.com/pages/gear-guides)

*Available on electric products sold to US customers only.

Présentation du produit



EXPRESSO BROYEUR ODE

Fellow Industries Inc.

Fellowproducts.com

Email: hello@fellowproducts.com

San Francisco, CA 94110

Nom du produit: Ode Espresso broyeur Ode

Brevets et Brevets en instance : fellowproducts.com/pages/patents

Garantie limitée de deux ans | Conçu à San Francisco, fabriqué en Chine

MODÈLE	CARACTÉRISTIQUES
NGAAUS	120V / 150W / 60Hz Poids: 4.6 kg / 10.14 lbs Dimensions (LxPxH): 239 mm x 105 mm x 248.3 mm Capacité de mouture : 100 g Longueur du cordon : 1 m



USA et Canada : Utilisation ménagère exclusivement.

**CE PRODUIT EST A DESTINATION DES ÉTATS-UNIS
ET DU CANADA : UTILISATION Ménagère
EXCLUSIVEMENT. CONSERVEZ CES INSTRUCTIONS**

Plus d'informations sur Fellowproducts.com/pages/gear-guides

**LISEZ TOUTES LES INSTRUCTIONS.
NE PAS JETER TOUT CE GUIDE DE SÉCURITÉ.**

AVERTISSEMENT !

Risque d'électrocution : cet appareil est doté d'une fiche à trois broches mise à la terre. Pour assurer la protection contre les risques de choc électrique ou d'incendie, se connecter à une prise ayant une mise à la terre. La fiche ne s'insère que dans un sens dans une prise. Ne modifiez pas les dispositifs de sécurité de la fiche en la modifiant de quelque manière que ce soit ou en utilisant un adaptateur. Ne branchez pas cet appareil sur une prise avec une tension autre que celui spécifié au bas de cet appareil.

N'utilisez pas d'adaptateur avec cet appareil.

Un cordon d'alimentation court est fourni pour réduire le risque d'être empêtré ou de trébucher sur un cordon plus long. Si un cordon plus long est nécessaire, une rallonge certifiée peut être utilisée. La puissance électrique de la rallonge doit être égale ou supérieure à la valeur nominale de cet appareil. Prenez soin de disposer la rallonge de façon à ne pas recouvrir le parement ou le dessus où il peut être tiré par des enfants ou être gênant. Pour éviter une surcharge du circuit, n'utilisez aucun appareil à haute puissance sur la même prise que cet appareil.

PRECAUTIONS IMPORTANTES

Avant utilisation, veuillez lire attentivement ces avertissements de sécurité et utiliser le broyeur correctement. Ces avertissements de sécurité sont indiqués pour une utilisation sûre et correcte de ce produit afin d'éviter tout danger pour l'utilisateur ou d'autres personnes et des dommages matériels.

Lors de l'utilisation d'appareils électroménagers, des précautions de sécurité de base doivent toujours être suivies, notamment :

- Après avoir déballé le broyeur, jetez soigneusement les sacs en plastique et autres emballages afin que les enfants et autres ne puissent pas y avoir accès.
- Cet appareil a une prise à trois broches avec mise à la terre qui doit être connectée correctement avec une prise correspondante lors de l'utilisation. Pour assurer une protection contre les risques électriques ou incendie, connectez uniquement à des prises correctement mises à la terre.
- N'immergez pas le cordon, la prise ou toute autre partie du broyeur dans l'eau ou dans un autre liquide. Cela vous protégera contre le risque de choc électrique.
- L'utilisation d'accessoires non recommandés ou non vendus par le fabricant peut provoquer un incendie, un choc électrique ou des blessures.
- Utilisez uniquement avec du courant alternatif et la tension correcte. Assurez-vous que votre tension est la même que celle indiquée sur le dessous de votre broyeur. Afin d'éviter une surcharge électrique, ne pas faire fonctionner un autre appareil à haute puissance sur le même circuit.
- Ne laissez jamais l'appareil sans surveillance lors de son utilisation. Une surveillance étroite est nécessaire lorsque l'appareil est utilisé par ou à proximité d'enfants. Ne pas utiliser à la portée d'un enfant.

IMPORTANT

- Pour une utilisation correcte, faites fonctionner cet appareil moins de 90 secondes et laissez un minimum de 90 secondes de temps de repos entre deux cycles continus.
 - Le broyeur ne peut pas fonctionner pendant plus de 6 minutes sur une période de 10 minutes, et il doit reposer pendant 30 minutes si le temps de travail dépasse 6 minutes.
-
- Cet appareil n'est pas prévu pour être utilisé par des personnes (y compris des enfants) ayant des capacités physiques, sensorielles ou mentales limitées, ou ayant un manque d'expérience et de connaissances, sauf si elles sont sous étroite surveillance et si elles suivent les instructions concernant l'utilisation de l'appareil par une personne responsable de leur sécurité. Une surveillance renforcée est nécessaire lorsque tout appareil est utilisé par ou à proximité d'enfants. Les enfants doivent être surveillés pour s'assurer qu'ils ne jouent pas avec l'appareil.
 - Le broyeur doit être utilisé sur une surface sèche et plate, loin du bord du comptoir afin d'éviter un basculement accidentel. Les vibrations pendant le fonctionnement peuvent faire bouger le broyeur.
 - Ne le placez pas dans un endroit où le broyeur pourrait toucher une autre source de chaleur. Par exemple, sur ou à proximité d'un brûleur à gaz chaud ou d'un brûleur électrique, dans un four chauffé ou un micro-ondes.
 - Évitez tout contact avec les pièces mobiles du broyeur.
 - Ne pas modifier le protège-doigts recouvrant la goulotte mise à la terre.
 - Ne déplacez jamais le broyeur lorsqu'il est en fonctionnement.
 - Vérifiez le bac de chargement pour tout objet étranger qui n'est pas du café en grains avant toute utilisation.

MISE EN GARDE !

Veillez lire attentivement toutes les instructions d'utilisation avant d'allumer et d'utiliser votre broyeur.

N'utilisez pas de tampons abrasifs, de produits chimiques agressifs ou de produits chimiques de nettoyage en aérosol pour nettoyer. Cela pourrait endommager la surface de l'appareil.

Ne mettez aucune pièce de votre moulin au lave-vaisselle.

- Ne mettez pas de substances autres que les grains de café et le nettoyant pour moulin dans le broyeur.
- Utilisez uniquement du café en grains dans le broyeur. Ne mettez pas de café qui a déjà été moulu dans le broyeur. Moudre du café qui a déjà été moulu peut provoquer une usure précoce du broyeur et annuler la garantie.
- Éteignez l'appareil, puis débranchez-le lorsque vous ne l'utilisez plus, avant d'assembler ou de désassembler des pièces et avant de le nettoyer. Attendez que les différentes parties ne bougent plus avant de nettoyer le broyeur. N'utilisez pas le broyeur sans que le couvercle ne soit placé sur le bac de chargement.
- Nettoyez uniquement l'extérieur du broyeur avec un chiffon humide.
- Veillez à ne pas faire basculer le broyeur, cela pourrait endommager le marteau et les composants internes.
- Pour débrancher, saisissez la fiche et la retirez de la prise. Ne tirez jamais sur le cordon.
- Ne laissez pas le cordon pendre sur le bord d'une table ou d'un comptoir.
- N'utilisez pas le broyeur avec un cordon ou une prise endommagée, si le broyeur ne fonctionne pas correctement, ou s'il est tombé ou

endommagé de quelque manière que ce soit. Renvoyez l'appareil au centre de service agréé le plus proche pour examen, réparation ou réglage.

- Si vous rencontrez des problèmes de brouillage ou tout autre problème, visitez **Fellowproducts.com/pages/gear-guides** pour obtenir de l'aide.
- Ne pas utiliser à d'autres fins que la mouture du café en grains.
- Cet appareil est destiné à un usage domestique uniquement. Utiliser pour autre chose que l'utilisation prévue annulera la garantie de deux ans.
- Ne pas utiliser à l'extérieur.
- Ne placez aucun ustensile dans le broyeur ou la goulotte de broyage.
- Ce produit contient des aimants en néodyme. Les enfants ne doivent JAMAIS être autorisés à jouer avec aimants NEODYMIUM. Même des aimants relativement petits peuvent provoquer des blessures graves si avalé. Gardez toujours tous les aimants en néodyme hors de portée des enfants.
- Gardez toujours une distance de sécurité (au moins 10 cm) entre les aimants et tous les objets être endommagé par le magnétisme et rappelez-vous, les aimants en néodyme sont dix fois plus puissants que les aimants « ordinaires » ! Des articles tels que des montres mécaniques, des pacemakers, Moniteurs CRT et téléviseurs, cartes de crédit, disquettes et autres supports à médias stockés magnétiquement tels que les cassettes vidéo sont tous affectés par des aimants puissants.
- N'utilisez pas le loquet magnétique au-dessus d'une balance électronique. La prise magnétique peut interférer avec la précision ou même endommager une balance électronique. Il n'est pas recommandé d'utiliser le loquet magnétique au-dessus d'une balance électronique.

- Ne pas utiliser en présence de fumées explosives et / ou inflammables.
- Pour réduire le risque d'incendie ou de choc électrique, ne retirez pas le couvercle inférieur de la base et ne démontez pas la base du broyeur de quelque façon que ce soit. Il ne contient aucune pièce réparable par l'utilisateur. La réparation doit être effectuée uniquement par du personnel de service autorisé. L'ouverture de la base du broyeur entraînera l'annulation de la garantie de deux ans.

CONSERVEZ CES INSTRUCTIONS

NETTOYAGE ET UTILISATION

AVANT UTILISATION

Retirez et recyclez ou jetez tous les autocollants, étiquettes descriptives, attaches de câble et matériaux d'emballage, y compris des autocollants statiques et des étiquettes volantes avec des liens.

Avant le nettoyage, nous recommandons de faire fonctionner le broyeur pendant 10 secondes sans grains de café pour aider à éliminer les grains / marcs des gorges et des moulins.

Débranchez toujours le cordon d'alimentation de la prise de courant avant de le nettoyer.

Essuyez le corps du broyeur avec un chiffon doux et humide. Essuyez le bac magnétiquement aligné et attraper le couvercle et bien sécher.

Placez le broyeur sur une surface plane et branchez-le sur une tension correcte.

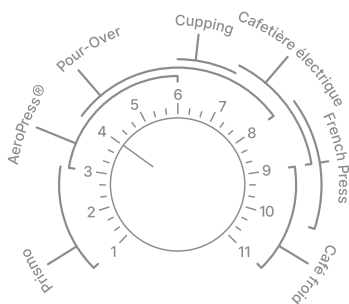
COMMENT UTILISER

1. Sélectionnez la taille de mouture en tournant le réglage de mouture vers la gauche ou la droite (1 = fin, 11 = grossier). Consultez notre guide de mouture (**Diagramme A**) pour vous aider à faire votre choix.
2. Retirez le couvercle du bac de chargement unidose en le soulevant.
3. Versez la quantité souhaitée de grains de café entiers torréfiés dans le bac de chargement jusqu'à un maximum de 100 g. Remettez le couvercle. Assurez-vous que le bac de récupération en-dessous est vide.

Ne broyez pas plus de 100 g de café sans vider le loquet. Ne laissez pas le bac trop se remplir, cela peut bloquer le broyeur.

4. Appuyez sur le bouton d'alimentation. Le broyeur commencera à broyer et s'arrêtera automatiquement une fois vos grains broyés. OU maintenez enfoncé le bouton d'alimentation pendant plus de 1,5 secondes. Le moulin broiera jusqu'à ce que le bouton soit relâché.

Diagramme A :
Réglage de
mouture



NETTOYAGE GÉNÉRAL

Si le broyeur est utilisé quotidiennement, les dents doivent être nettoyées au moins tous les trois mois en utilisant des comprimés (voir ci-dessous pour le nettoyage automatique) ou avec une brosse dure.

Pour nettoyer les dents, retirez-les en suivant les instructions de la Section « Retrait et remplacement des dents ».

N'immergez pas le broyeur dans l'eau. NE PAS laver les dents avec de l'eau.

Ne placez jamais les doigts dans la goulotte de broyage lorsque l'appareil est branché.

À l'aide de la brosse fournie, retirez délicatement la poussière de café des dents et remplacez les dents en suivant les instructions de la Section « Retrait et remplacement des dents ».

Pour laver le loquet, essuyez doucement avec un chiffon doux et de l'eau savonneuse tiède. Séchez avec un chiffon sec après le nettoyage.

Essuyez l'extérieur du broyeur et chargez le bac avec un chiffon doux et humide.

NETTOYAGE AUTOMATIQUE

Un moyen rapide de nettoyer votre moulin consiste à utiliser des comprimés de nettoyage de moulin comme urnex grindz™ comprimés de nettoyage de broyeur. Ils sont conçus pour éviter le colmatage en retirant les poussières collées aux dents et en absorbant / éliminant les odeurs et les résidus d'huile de café.

Pour utiliser des comprimés de nettoyage, assurez-vous que tous les grains soient sortis de votre broyeur en faisant fonctionner pendant 10-20 secondes. Utilisez les instructions des comprimés de nettoyage pour en placer la quantité appropriée dans le broyeur. Réglez le paramètre de mouture sur 11 et appuyez sur le bouton d'alimentation pour lancer le broyeur. Broyez tous les comprimés dans le bac. Une fois terminé, nous vous recommandons de broyer environ 30 g de café pour éliminer tout résidu de comprimé. Jeter les comprimés moulus / café du bac et nettoyez.

ENTRETIEN

Tout autre entretien doit être effectué par un représentant de service autorisé.

NETTOYAGE D'UN BOURRAGE BROEUR.

À l'occasion, l'Espresso broyeur Ode peut se coincer et arrêter de broyer. Lorsque cela se produit, le broyeur cessera de broyer avant d'avoir terminé tous les cafés dans la trémie et un bip / "SOS" sonnera.

Les bourrages mineurs peuvent être éliminés comme suit :

1. Vérifiez que le loquet soit vide. Tournez le réglage de mouture sur 11.
2. Tapotez fermement le broyeur sur le côté plusieurs fois et secouez.
3. Appuyez sur le bouton d'alimentation et continuez à appuyer fermement sur le côté du broyeur pendant plusieurs secondes. Si le broyage reprend, le bourrage est éliminé. Sinon, consultez les instructions pour éliminer un bourrage majeur.

Les bourrages majeurs peuvent être éliminés comme suit :

1. Débranchez le moulin.

2. Retirez les dents selon les instructions de la Section « Retrait et remplacement des dents » de ce manuel.
3. Retirez le café du bac de mouture et jetez-le.
4. Inspectez les dents pour les grains de café ou les matières étrangères (roches, bâtons, café non torréfié haricot, etc.) qui peut être coincé. Retirez les grains de café coincés et nettoyez les dents comme indiqué dans la Section « Nettoyage » de ce manuel.
5. Réinstallez les dents. Faire fonctionner le moulin sans café pendant 5 secondes pour vérifier qu'il fonctionne comme prévu. Le broyeur doit tourner doucement et à une vitesse uniforme. Si le broyeur se met à faire un bruit inattendu, répétez ce processus et inspectez soigneusement pour vous assurer que toutes les poussières de café ont été éliminées. Si le problème persiste, veuillez contacter le service client Fellow.
6. Pour plus d'aide, visitez [Fellowproducts.com/pages/gear-guides](https://www.fellowproducts.com/pages/gear-guides).

RETRAIT ET REMPLACEMENT DES DENTS DE MEULAGE

ATTENTION: Les meules sont des objets coupants, à manipuler avec précaution !

1. Débranchez votre moulin et videz le café.
2. Commencez par retirer la plaque avant du broyeur. La façade s'enclenche simplement et de. Tirez doucement sur la façade pour qu'elle se détache. Voir le **Diagramme B** pour référence.
3. À l'aide d'un tournevis cruciforme, dévissez les quatre vis de plus grande taille qui ont flèches pointant vers eux. Voir le **Diagramme C** pour référence.
4. Tirez sur la molette de mouture pour retirer l'ensemble de molette de mouture.

Diagramme B :
vue éclatée

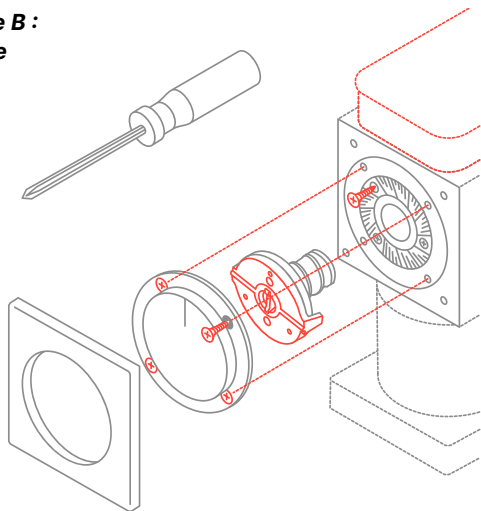


Diagramme C

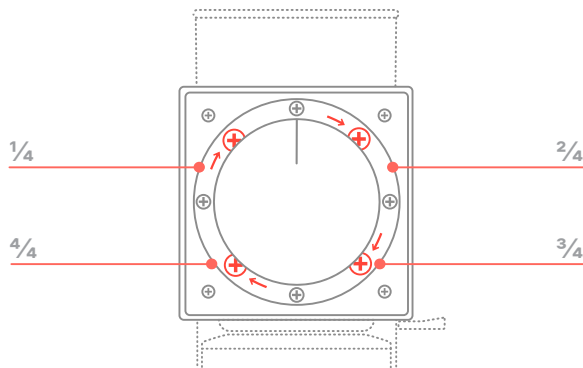


Diagramme D

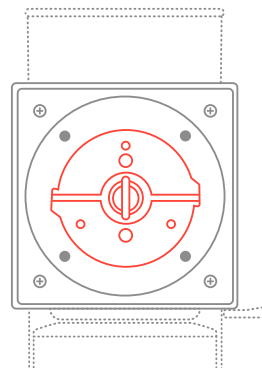
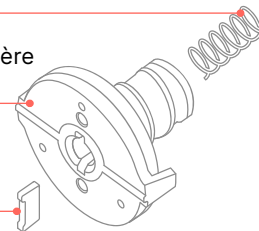


Diagramme E

Ressort

Fraise et tarière
rotatives

Clé de
tarière

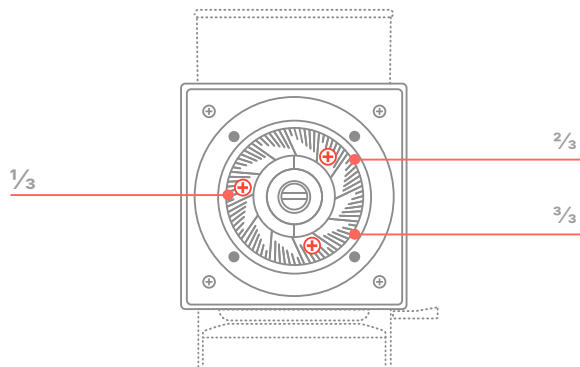


5. Retirez délicatement la fraise rotative / tarière (la dent la plus proche de vous), la clé de tarière, et jaillissent de la chambre de mouture en appuyant dessus. Veillez à ne pas en perdre pièces que vous retirez. Voir les **Diagrammes D et E** pour référence. Si vous ne faites que nettoyer, ne démontez pas davantage les dents. À l'aide de la brosse fournie, brossez délicatement la poussière de café des dents et remontez les dents.

Si vous remplacez les dents, passez aux étapes suivantes.

6. La dent fixe est fixée à la chambre de mouture. Pour retirer la fixation des dents, commencez par utiliser un tournevis cruciforme pour retirer les trois vis qui la maintienne en place. S'il y a du café moulu dans ces vis qui interfère avec leur retrait, utilisez une petite brosse pour nettoyer le café moulu avant d'essayer de retirer les vis. Retirez délicatement la dent fixe (**Diagramme F**).

Diagramme F



7. La dent rotative est fixée à la fraise. Pour retirer la dent de rotative, commencez en utilisant un tournevis cruciforme pour retirer les trois vis qui la maintiennent en place. S'il y a du café moulu dans ces vis qui gêne leur retrait, utilisez une petite brosse pour nettoyer le café moulu avant d'essayer de retirer les vis (**Diagrammes G et H**).

8. Soulevez délicatement la dent rotative pour l'éloigner de la fraise.

Pour remplacer les dents, répétez ces étapes dans l'ordre inverse.

Assurez-vous que la dent rotative est reliée à la vis sans fin et que la fraise est rattachée à la chambre de mouture.

Diagramme G

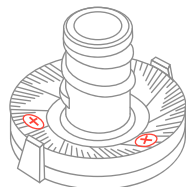
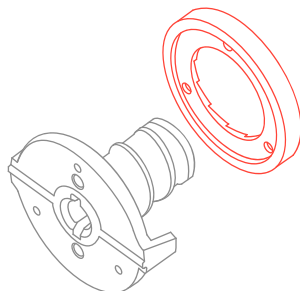


Diagramme H



CALIBRER VOTRE MOULIN À CAFÉ ODE

Ode Brew Grinder est conçu pour préparer du café et ne peut pas moulinde assez finement pour la plupart des machines à expresso. Cependant, si vous aimez moulinde finement pour la cafetière AeroPress®, Prismo, Hario V60, ou d'autres méthodes d'infusion, vous voudrez peut-être vous assurer que l'endroit où les bavures se touchent, ou "point zéro", de votre moulin est correctement calibré pour mieux atteindre cette plage.

Votre broyeur arrive calibré de l'usine. Au fur et à mesure que les bavures sont culottées, le point de contact des bavures se déplacera légèrement, ce qui est normal et, de ce fait, vous devez vous attendre à ce que les réglages changent légèrement pour une mouture plus grossière.

Garder votre broyeur calibré de sorte que le réglage 1 soit toujours à 1 clic du point de contact de la bavure aide à maintenir les performances de broyage constantes tout au long de la durée de vie de votre broyeur.

Pour regarder des vidéos sur la façon d'étalonner, rendez-vous sur [Fellowproducts.com/pages/gear-guides](https://www.fellowproducts.com/pages/gear-guides).

GARANTIE

Pour le service, la réparation ou toute question concernant votre moulin à café Ode, veuillez visiter [Fellowproducts.com/pages/gear-guides](https://www.fellowproducts.com/pages/gear-guides). Ne renvoyez PAS le produit au fabricant et ne l'apportez pas dans un centre de service sans d'abord parler au service clientèle Fellow.

Garantie limitée de deux ans

Fellow garantit ce produit contre tout défaut dû à un matériau défectueux ou à un défaut de fabrication pour une période de deux ans après la date d'achat par le consommateur.

Cette garantie n'est valable que :

Pour le client d'origine.

Lorsque le moulin est acheté auprès de revendeurs agréés.

Avec le ticket de caisse d'origine comme preuve d'achat pour faire votre demande de garantie.

Cette garantie ne comprend pas les dommages au produit résultant de :

Accident, mauvaise utilisation ou réparations effectuées par du personnel non autorisé.

Fonctionnement avec le mauvais type de courant ou de tension.

Non-respect des instructions de nettoyage du broyeur.

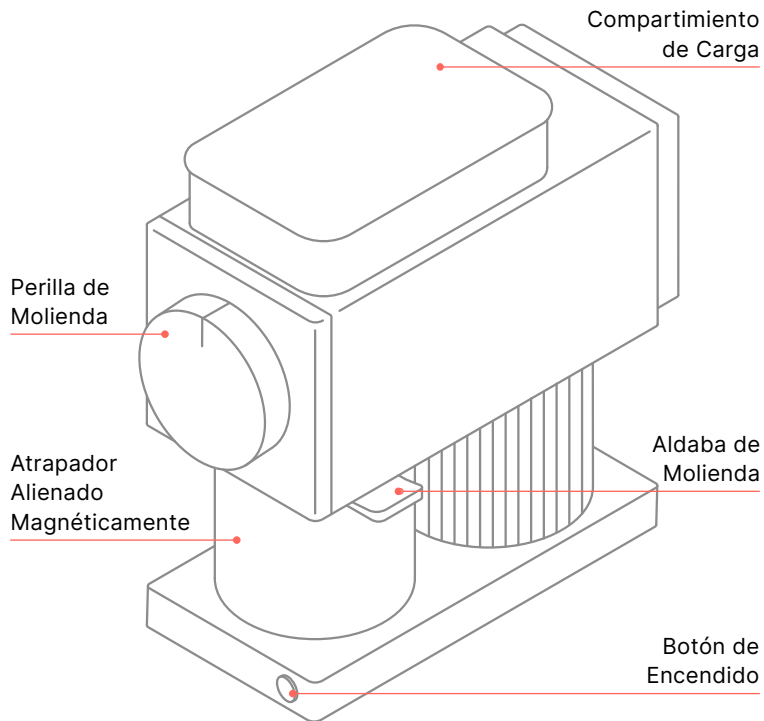
Non-respect des garanties énumérées dans les avertissements et instructions de ce document.

Moulinde autre chose que des grains de café torréfiés entiers.

Si le produit devait devenir défectueux pendant la période de garantie, ou si vous avez des questions concernant la garantie ou le service, visitez-nous sur [help.fellowproducts.com](https://www.fellowproducts.com) et faites une demande.

Trouvez plus d'informations sur :
[Fellowproducts.com/pages/gear-guides](https://www.fellowproducts.com/pages/gear-guides)

Generalidades del Producto



MOLEDORA DE CAFÉ ODE

Fellow Industries Inc.

Fellowproducts.com

Email: hello@fellowproducts.com

San Francisco, CA 94110

Nombre del Producto: Moledora de Café Ode

Patentes y Patentes Pendientes: fellowproducts.com/pages/patents

2 años de garantía limitada | Diseñada en San Francisco, hecha en China

MODELO	ESPECIFICACIONES
NGAAUS	120V / 150W / 60Hz Peso: 4.6 kg / 10.14 lbs Dimensiones (AxAxL): 239 mm x 105 mm x 248.3 mm Capacidad de molienda: 100 g Longitud del Cable Eléctrico: 1 m



Estados Unidos y Canadá: solo para el hogar

**ESTE PRODUCTO ES PARA
ESTADOS UNIDOS Y CANADÁ: PARA EL HOGAR ÚNICAMENTE
GUARDE ESTAS INSTRUCCIONES**

Mas información en [Fellowproducts.com/pages/gear-guides](https://fellowproducts.com/pages/gear-guides)

**LEA TODAS LAS INSTRUCCIONES.
NO TIRE ESTA GUÍA DE SEGURIDAD.**

¡ADVERTENCIA!

Peligro de Shock Eléctrico: Este dispositivo tiene un conector de tres puntas con aterrizaje a tierra. Para asegurar la protección en contra de un riesgo de shock eléctrico o incendio, conecte únicamente a tomacorrientes debidamente aterrizados. El conector solo se conecta de una manera en el tomacorriente. No se salte el propósito del conector al modificar el conector en cualquier forma o usando un adaptador. No conecte este dispositivo en un tomacorriente con un voltaje distinto al especificado en la parte inferior del dispositivo.

No use un adaptador con este dispositivo.

Se suministra un cable de suministro eléctrico corto para poder reducir el riesgo de que se enrede o se caiga por un cable más largo. Si necesita de un cable más largo, se puede usar una extensión. Las especificaciones de la extensión deben ser iguales o mayores a las de este dispositivo. Tenga cuidado de que la extensión no cuelgue de la superficie o mesa donde puede ser halada o donde un niño pueda caerse. Para evitar una sobrecarga eléctrica, no use ningún dispositivo de alto consumo eléctrico en el mismo circuito al de este dispositivo.

PROTECCIONES IMPORTANTES

Antes de usar por favor lea estas advertencias de seguridad con cuidado y use la moledora apropiadamente. Estas advertencias de seguridad son indicadas para el uso seguro y apropiado de este producto para prevenir el daño al usuario u otros daños a propiedad.

Cuando use dispositivos eléctricos, se deben seguir siempre las precauciones básicas de seguridad, incluyendo las siguientes:

- Después de desempacar la moledora, deseche cuidadosamente las bolsas plásticas y otros empaques de tal manera que los niños y otros no puedan alcanzarlos.
- Este dispositivo tiene un enchufe de tres puntas y con aterrizaje a tierra, y debe estar aterrizado con un tomacorriente de tres puntas cuando esté en uso. Para asegurar la protección en contra de riesgo de shock eléctrico o incendio, conecte únicamente a tomacorrientes debidamente aterrizados.
- No sumerja el cable, el enchufe ni ninguna otra parte del molinillo en agua u otro líquido, para proteger contra el riesgo de descarga eléctrica.
- El uso de accesorios no recomendados o vendidos por el fabricante puede causar incendios, descargas eléctricas o lesiones.
- Use únicamente con corriente AC y el voltaje correcto. Asegúrese de que su suministro principal eléctrico sea el mismo que el que está marcado en rojo debajo de su moledora. Para evitar una sobrecarga eléctrica, no opere otro dispositivo de alto wataje en el mismo circuito.
- Nunca deje la moledora sin atender cuando esté en uso. Se requiere de supervisión cuando el dispositivo está en uso por o cerca de niños. No use dentro del alcance de los niños.

IMPORTANTE

- Para el uso adecuado, opere este dispositivo por menos de 90 segundos a la vez, con un tiempo de descanso mínimo de 90 segundos entre dos ciclos continuos.
- La moladora no puede operar por 6 minutos continuamente dentro de periodos de 10 minutos, y debe descansar por 30 minutos si el tiempo de trabajo excede los 6 minutos.

- Este electrodoméstico no está diseñado para ser utilizado por personas (incluidos niños) con capacidades físicas, sensoriales o mentales reducidas, o con falta de experiencia y conocimiento, a menos que estén supervisadas e instruidas sobre el uso del electrodoméstico por una persona responsable de su seguridad. Una estrecha supervisión es necesaria cuando niños usan cualquier electrodoméstico o están cerca de ellos. Se debe supervisar a los niños para asegurar de que no jueguen con el aparato.
- La moladora debe ser operada en una superficie seca y plana, lejos de cualquier esquina de una superficie que pueda ocasionar una caída accidental. La vibración durante la operación puede causar que la moladora se mueva.
- No coloque en ninguna superficie donde la moladora pueda tocar otra fuente de calor. Por ejemplo sobre o cerca de un horno de gas o eléctrico, en un horno de calentamiento o en una microonda.
- Evite el contacto con las partes en movimiento de la moladora.
- No altere la protección de dedos que cubre la parte aterrizada eléctricamente.
- Nunca mueva la moladora mientras que la unidad esté en uso.
- Revise la tolva de carga por cualquier objeto extraño que no sean granos de café antes de ser usada.

¡PRECAUCIÓN!

Por favor lea todas las instrucciones de uso por completo antes de encender y usar la moladora.

No use almohadillas abrasivas, químicos fuertes o químicos de limpieza en aerosol para limpiar. Pueden dañar la superficie del dispositivo.

No coloque ninguna parte de su moladora en el lavaplatos.

- No ponga ninguna otra sustancia a diferencia de granos de café y el limpiador de la moladora dentro de la misma.
- Use solo granos de café enteros en la moladora. No ponga café que ya ha sido molido dentro de la moladora. Volver a moler café que ya esté molido puede causar que su moladora se desgaste más rápidamente y esto anulará la garantía.
- Apague el aparato, luego desconéctelo de la toma de corriente cuando no esté en uso, antes de armar o desarmar las piezas y antes de limpiarlo. Permitir que las partes dejen de moverse antes de limpiar el molinillo. No utilice el molinillo sin la tapa correctamente colocada sobre el contenedor de carga.
- Solo limpie la parte exterior de la moladora con un paño húmedo.
- Tenga cuidado de no voltear la moladora, esto puede dañar la aldaba y los componentes internos.
- Para desconectar, tome el enchufe y remuévalo del tomacorriente. Nunca hale el cordón eléctrico.
- No permita que el cordón cuelgue sobre la esquina de la mesa o superficie.

- No opere el molinillo con un cable o enchufe dañado, si el molinillo funciona mal, o se cae o se daña de alguna manera. Devuelva el aparato al centro de servicio autorizado más cercano para su examen, reparación o ajuste.
- Si tiene problemas con atascos o cualquier otro problema, visite **Fellowproducts.com/pages/gear-guides** para obtener ayuda..
- No use para cualquier otro propósito que moler el grano entero de café.
- Este dispositivo tiene la intención de ser usado en el hogar únicamente. El uso para algo distinto que el uso intencionado invalidará la garantía de dos años.
- No para usarse en el exterior.
- No coloque ningún utensilio en la moledora o en la tolva de moler.
- Este producto contiene magnetos de neodimio. NUNCA se debe permitir a los niños a que jueguen con magnetos de NEODIMIO. Incluso los imanes más pequeños pueden causar un daño severo si se tragan. Siempre mantenga los imanes de neodimio fuera del alcance de los niños.
- Siempre mantenga una distancia segura (de al menos 10 cm) entre los imanes y cualquier objeto que pueda ser dañado por magnetismo, recuerde que los imanes de neodimio son más fuertes que los imanes ordinarios. Artículos tales como relojes mecánicos, marcapasos cardiacos, monitores CRT y televisores, tarjetas de crédito, disquetes y otros medios almacenados electrónicamente tales como cintas de video pueden ser todos afectados por imanes poderosos.
- No use el cierre magnético encima de una balanza electrónica. El cierre magnético puede interferir con la precisión de o incluso dañar la balanza electrónica. No se recomienda usar un cierre magnético encima de una balanza electrónica.

- Para reducir el riesgo de incendio o shock eléctrico, no remueva la cubierta inferior de la base o desensamble la base de la moledora en ninguna manera. No hay partes a las cuales el usuario pueda darle mantenimiento dentro de ese espacio. La reparación debe hacerse a través de personal de servicio autorizado únicamente. Abrir la base de la moledora resultará en la anulación de la garantía de dos años.
- No opere bajo la presencia de gases explosivos y / o inflamables.

GUARDE ESTAS INSTRUCCIONES

LIMPIEZA Y USO

ANTES DE SU USO

Remueva y recicle o deseche todas las etiquetas, etiquetas descriptivas, amarres de cables y materiales de empaque, incluyendo calcomanías estáticas y etiquetas colgables con amarres.

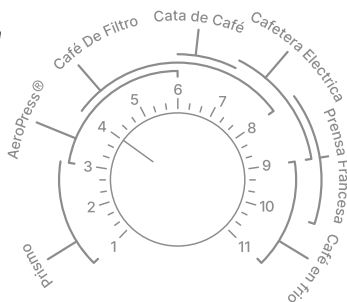
Antes de limpiar, recomendamos que corra la moledora por 10 segundos sin granos de café para ayudar a mantener despejado de cualquier grano / residuo de la tolva de molienda.

Siempre desconecte el cordón eléctrico del tomacorriente eléctrico antes de limpiar.

Limpie el cuerpo de la moledora con un paño suave y húmedo. Limpie el atrapador magnéticamente alineado al igual que la tapa y seque por completo.

Coloque la moledora en una superficie nivelada y conecte al voltaje adecuado.

**Diagrama A:
Guía de Molienda**



COMO UTILIZAR

1. Seleccione el tamaño del grano al girar la perilla de molienda hacia la izquierda o derecha (1 = fino, 11 = grueso). Vea nuestra Guía de Molienda (**Diagrama A**) para ayudarle a hacer su elección.
2. Remueva la tapa del compartimento de carga de una sola dosis levantándola.
3. Vierta la cantidad contenida de granos de café enteros ya tostados en el compartimento de carga hasta un máximo de 100 g. Coloque la tapa. Asegúrese que el atrapador esté directamente debajo de la tolva y que esté vacío.

No vaya a moler más de 100 g de café sin antes vaciar el atrapador. El sobrellenar el atrapador puede trabar la moledora.

4. Presione el botón de encendido. La moledora iniciará a moler y se detendrá automáticamente una vez que haya terminado de moler. O presione y sostenga el botón de encendido por más de 1.5 segundos. La moledora hará su trabajo hasta que libere el botón.

LIMPIEZA GENERAL

Si la moledora se usa a diario, las cuchillas deben limpiarse al menos cada tres meses usando tabletas (vea a continuación para Limpieza Automática) o con una brocha dura.

Para limpiar las cuchillas, remueva las cuchillas siguiendo las instrucciones en la sección “Remoción y Reemplazo de las Cuchillas”.

No sumerja la moledora en agua. NO lave las cuchillas con agua. Nunca coloque los dedos en la tolva de moler mientras el producto esté conectado.

Nunca coloque los dedos en el canal de molienda mientras el producto está enchufado.

Use la brocha suministrada, gentilmente limpie el polvo de café de las cuchillas y reemplace las cuchillas siguiendo las instrucciones de la sección "Remoción y Reemplazo de Cuchillas".

Para limpiar el atrapador, gentilmente, con un paño suave y con agua tibia y enjabonada. Seque con un paño seco después de la limpieza.

Limpie el exterior de la moledora y tolva de carga con un paño suave y húmedo.

LIMPIEZA AUTOMÁTICA

Una manera rápida de limpiar su moledora es usando tabletas de limpieza de moledora como las tabletas de limpieza de moledora marca Urnex Grindz.™

Éstos están diseñados para prevenir obstrucciones al liberar las partículas de café pegadas a las cuchillas y absorbiendo / removiendo los olores y el aceite de residuo de café.

Para usar las tabletas de limpieza, asegúrese que todos los granos hayan pasado por la moledora al correrla por 10 – 20 segundos. Use las instrucciones de las tabletas de limpieza para colocar la cantidad adecuada dentro de la moledora. Ajuste la configuración de la moledora a 11 y presione el botón de encendido para correr la moledora. Muela todas las tabletas dentro del atrapador. Una vez que esté complete, recomendamos moler aproximadamente 30 g de café para remover cualquier residuo de tabletas. Descarte las tabletas / café molido del atrapador y limpie.

MANTENIMIENTO

Cualquier otro servicio debe ser realizado por un representante de servicio autorizado.

LIBERANDO UNA MOLEDORA TRABADA

En ocasiones, la Moledora de Café Ode se puede trabajar y dejará de moler. Cuando esto ocurra, la moledora detendrá de moler antes de que haya terminado todo el café en la tolva y sonará el "SOS" (salven nuestro buque).

Los trabones se pueden despejar de la siguiente manera:

1. Revise que el atrapador esté limpio. Gire la perilla de moler al ajuste 11.
2. Toque fuerte y firmemente la moledora en los lados varias veces y agite.
3. Presione el botón de encendido y continúe golpeando firmemente el lado de la moledora por diversos segundos. Si continua el proceso, se ha despejado la obstrucción. Si no, proceda a las instrucciones para poder despejar un trabón un mayor.

Los trabones mayores se pueden despejar de la siguiente manera:

1. Desconecte la moledora.
2. Remueva las cuchillas según las instrucciones de la Sección de "Remoción y Reemplazo de las Cuchillas".
3. Remueva el café de la recámara de moler y deseche.
4. Inspeccione los granos de café o materiales extraños (rocas, astillas, grano de café sin rostizar, etc.) que puedan estar atorados. Remueva los granos de café atorados y limpie las cuchillas según se instruye en la sección de "Limpieza" de este manual.

5. Reinstale las cuchillas. Corra la moledora sin café por 5 segundos para revisar que opere según las expectativas. La moledora debe girar silenciosamente a una velocidad constante. Si la moledora está haciendo ruidos inesperados, repita el proceso y revise cuidadosamente para asegurar que las partículas de café se hayan despejado. Si el problema persiste, por favor contacte a servicio al cliente de Fellow.

6. Para más ayuda, visite la página [Fellowproducts.com/pages/gear-guides](https://www.fellowproducts.com/pages/gear-guides).

REMOCIÓN Y REEMPLAZO DE LAS CUCHILLAS DE MOLER

PRECAUCIÓN: la amoladora rebabas están afiladas, ¡manipular con cuidado!

1. Desconecte su moledora y vacíe el café.
2. Inicie removiendo la placa frontal de la moledora. La placa simplemente se traba y se destraba. Hale gentilmente la placa para que se destrabe. Vea el **Diagrama B** para referencia
3. Usando un desarmador tipo estrella (Phillips), destornille los cuatro tornillos de mayor tamaño que tiene flechas que apuntan a los mismos. Vea el **Diagrama C** para referencia.
4. Hale gentilmente la perilla de moler para remover el ensamble de perilla de moler.
5. Cuidadosamente remueva la cuchilla rotacional (la cuchilla más cercana a usted), la llave de barrena y el resorte de la recámara de moler al presionar. Tenga cuidado de no perder ninguna de estas piezas en lo que las remueve. Vea el **Diagramas D y E** para su referencia. Si usted solo está limpiando, no desensamble las cuchillas aún más. Usando la brocha suministrada, gentilmente limpie el polvo de café de las cuchillas y reemplace las cuchillas.

Si usted está reemplazando las cuchillas, continúe con los siguientes pasos.

Diagrama B:
Vista Expandida

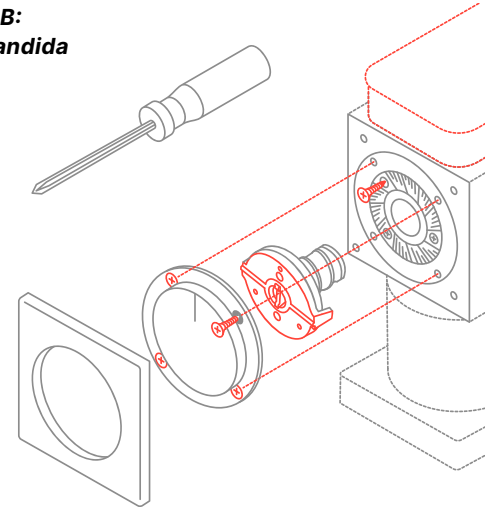


Diagrama C

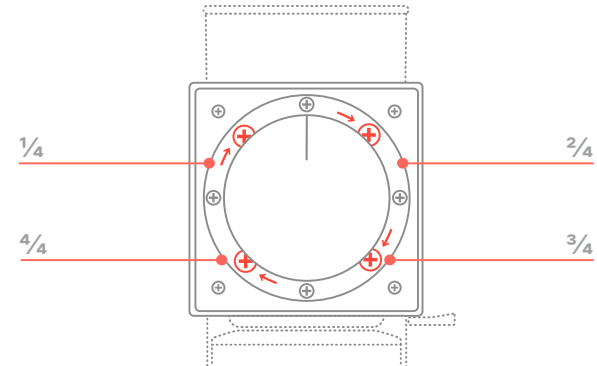


Diagrama D

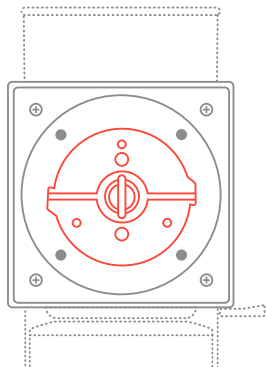


Diagrama E

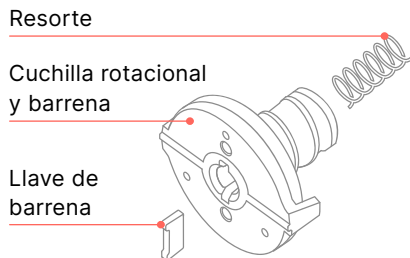
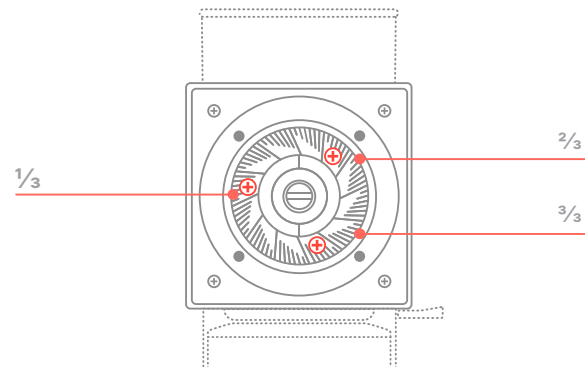


Diagrama F



6. La cuchilla estacionaria está adjunta a la recámara de moler. Para remover la cuchilla estacionaria, empiece usando un desarmador tipo estrella (Phillips) para poder remover los tres tornillos que la sostienen en su lugar. Si hay café molido en estos tornillos que interfieren con su remoción, use una brocha pequeña para poder quitar el café molido antes de intentar remover los tornillos. Cuidadosamente remueva la cuchilla estacionaria (**Diagrama F**).

7. La cuchilla rotacional está adjunta a la barrena. Para remover la cuchilla rotacional, empiece usando un destornillador tipo estrella (Phillips) en estos tornillos que interfieren con su remoción, use una brocha pequeña para poder quitar el café molido antes de intentar la remoción de los tornillos (**Diagramas G y H**).

8. Cuidadosamente levante la cuchilla rotacional fuera de la barrena.

Para reemplazar las cuchillas, repita estos pasos en orden inverso. Asegúrese que la cuchilla rotacional se vuelva a adjuntar a la barrena y que la cuchilla estacionaria se adjunte nuevamente a la recámara de moler.

Diagrama G

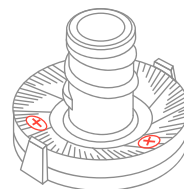
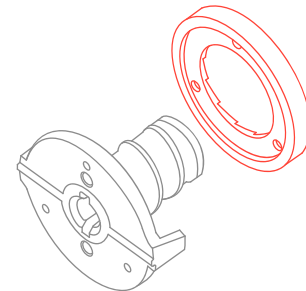


Diagrama H



CALIBRANDO SU MOLEDORA DE CAFÉ ODE

Ode Brew Grinder está diseñado para preparar café y no puede moler lo suficientemente fino para la mayoría de las máquinas de espresso. Sin embargo, si le gusta moler finamente para AeroPress® Coffee Maker, Prismo, Hario V60 y otros métodos de preparación, para mejorar el alcance de este rango debe asegurarse de calibrar correctamente el lugar donde se tocan las rebabas, o el “punto cero”, de su molinillo esté correctamente calibrado para mejor lograr este rango.

Su molinillo llega calibrado de fábrica. A medida que se sazonan las rebabas, el punto de contacto de las rebabas se desviará ligeramente, lo cual es normal y, como tal, debe esperar que los ajustes cambien un poco más gruesos.

Mantener su molinillo calibrado para que el ajuste 1 siempre esté a 1 clic del punto de contacto de las rebabas ayuda a mantener el rendimiento de molido constante durante la vida útil de su molinillo.

Para ver videos de cómo calibrar, por favor vaya a la página **[Fellowproducts.com/pages/gear-guides](https://www.fellowproducts.com/pages/gear-guides)**

GARANTÍA

Para servicios, reparaciones o preguntas en relación con su moledora de Café Ode, por favor visite la página **[Fellowproducts.com/pages/gear-guides](https://www.fellowproducts.com/pages/gear-guides)**. NO retorne el producto al fabricante ni lo traiga a un centro de servicio sin antes hablar con un representante de servicio al cliente de Fellow.

Dos años de garantía limitada

Fellow garantiza este producto en contra de cualquier defecto que sea por una falta material o por mano de obra por un periodo de dos años después de la fecha original de compra del consumidor.

Esta garantía es válida únicamente para:

El consumidor original.

Cuando la moledora se compra a través de vendedores autorizados.

Con la facture original de compra como comprobante de compra para hacer su reclamo de garantía.

Esta garantía no incluye el daño al producto que resulte de:

Accidente, mal uso o reparaciones realizadas por personal no autorizado.

Operación con el voltaje incorrecto de operación.

Fallar en cumplir con las instrucciones de limpieza de la molidora.

Fallar en cumplir con las protecciones de seguridad anotadas en las advertencias e instrucciones de este documento.

Moler cualquier cosa distinta a lo que es granos de café tostado.

Si el producto se vuelve defectivo dentro del producto de garantía, o usted tiene alguna pregunta en relación con la garantía o servicio, visite la página **help.fellowproducts.com** y presente una solicitud.

Encuentre más información en:
Fellowproducts.com/pages/gear-guides

**Find more information at:
Pour de plus amples renseignements :
Encuentre más información en:**

[Fellowproducts.com/pages/gear-guides](https://www.fellowproducts.com/pages/gear-guides)

v03 08.2022