

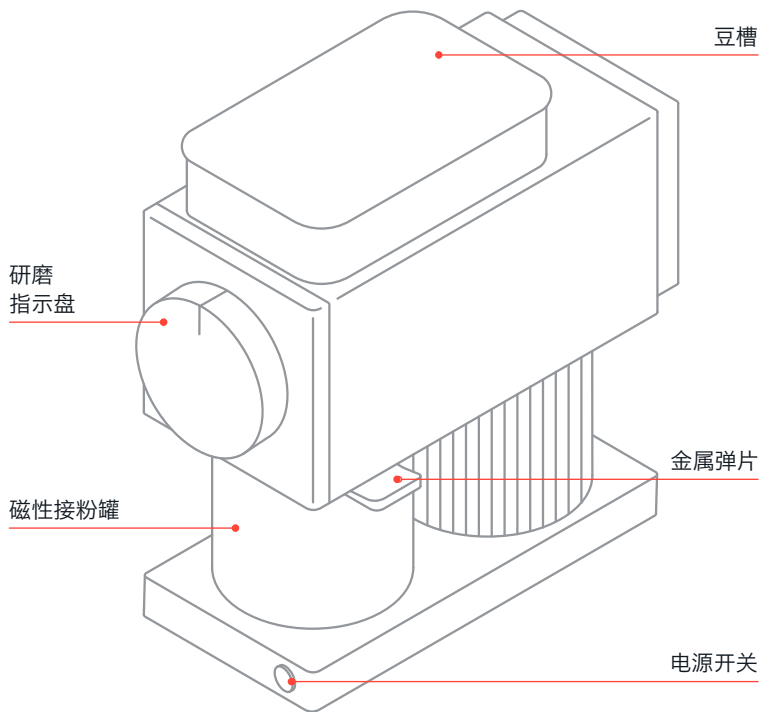
FELLOW®

ODE™

第二代 磨豆机
Gen 2 Brew Grinder

安全与维护指南

SAFETY AND MAINTENANCE



ODE 磨豆机

Fellow Industries Inc.

Fellowproducts.com

中国总代理: 松珀贸易(厦门)有限公司

地址: 厦门市湖里区五缘湾木浦路103号20楼30单元

联系电话: 0592-5792747

电子邮箱: HELLO@SONG-PO.COM

微信公众号: FELLOWPRODUCTS

产品名称: Ode Gen2 磨豆机 | Patent Pending

2 年有限保修 | Design in San Francisco, Made In China

型号	SKU	规格
FLOD-02C	FLOD-BK02C FLOD-MW02C	额定电压 频率 功率: 220V 50Hz 150W 重量: 4.6 kg 尺寸 (长×宽×高): 239mm × 105mm × 248.3mm 单次最大研磨量: 100g



仅限家庭使用

微信公众号: FELLOWPRODUCTS

**请阅读所有说明。
请勿丢弃此安全指南。**

警告！

漏电危险：本电器配备了接地的三脚插头。为确保针对漏电和火灾风险的防护，只能使用已正确接地的插座。插头和插座之间只有一种插入方式。请勿以任何方法改动插头或使用电源转接头，否则会导致插头的安全防护失效。如果插座的电压与本电器底部的标注不同，请勿把本电器接入该插座。

请勿在本电器上使用电源转接头。

为了减少长线导致的纠缠和绊倒的风险，我们提供了较短的电源线。如果您需要较长的电源线，可以使用获得认证的延长线。延长线的额定功率必须等于或大于本电器的额定功率。请仔细安排延长线的位置，避免悬挂在台面或桌面上，因为这些地方可能会被儿童拖拽或绊倒。为了避免电路过载，请勿在本电器的回路上使用任何大功率电器。

重要安全保护措施

在使用之前，请您仔细地阅读安全警告并正确地使用磨豆机。这些安全警告的目的是确保安全和正确地使用本产品，避免对使用者或其他人造成危险以及避免财产损失。使用电器设备时，请时刻遵守基本的安全预防措施，包括以下内容：

- 打开磨豆器的包装之后，请把塑料袋和其他包装物妥善处理，避免儿童接触。
- 本电器配备了接地的三脚插头，在使用过程中必须通过三脚插座实现接地。
- 为了确保针对电击和火灾风险的防护，只能使用已正确接地的插座。
- 请勿把电源线、插头、或磨豆机的任何其他部件浸入水中或其他液体。

- FELLOW公司不建议使用非原厂配件，因为可能导致火灾、漏电、或是人身伤害。
- 只能使用电压正确的交流电源。请确认主供电路的电压与磨豆机底部的标注一致。为避免电路过载，请勿在同一电压回路中操作其他大功率电器。
- 使用过程中，请勿离开磨豆机。请不要让儿童操作或在儿童附近使用磨豆机。当磨豆机放置在儿童容易接触的位置时，请务必注意安全。
- 本电器不适合由体格缺陷、感官缺陷、精神缺陷、或缺乏经验和知识的人士（包括儿童）操作，除非其监护人已针对使用本电器给予了监督或指导。
- 必须在干燥平整的表面操作磨豆机并且远离台面边缘以避免意外翻倒。操作过程中的震动可能导致磨豆机移位。
- 请勿把磨豆机放置于可能接触到其他热源的位置。例如燃气灶、电磁炉、烤箱或微波炉附近。
- 请勿接触磨豆机的任何高速运转部件。
- 磨豆机正在运转时禁止搬动。
- 在使用前，请检查豆槽中是否有咖啡豆以外的物体。
- 请勿把咖啡豆和磨豆机专用清洁片以外的任何物品放入磨豆机。
- 只能把完整的咖啡豆放入磨豆机。请勿把已磨碎的咖啡放入磨豆机。把已经磨碎的咖啡再次研磨会导致磨豆机的损耗加速并使质保失效。

重要！

- 本机器每次运行请勿超过90秒，并且连续两次磨豆应至少有90秒以上的休息间隔。
- 磨豆机在10分钟内不得连续工作超过6分钟，并且如果工作时间超过6分钟，必须休息30分钟。

- 不使用或清洁之前，请将插头从插座拔出。
- 请等待运转停止之后，再进行磨豆机清洗。
- 豆槽盖未正确盖好之前，请勿使用磨豆机。
- 磨豆机的外表面只能使用湿布清洁。
- 请小心不要使磨豆机放倒，否则可能损坏内置部件。
- 拔出插头时，请握住插头把其从插座拔出。不可拉扯电源线。
- 请勿把电源线悬在桌子或台面边缘。
- 如果电源线损坏，请务必联系制造商维修，并由专业人士进行更换。
- 如果磨豆机出现故障，或以其他方式受到损坏，请勿继续操作使用故障的磨豆机。
- 只能按照本手册中“清洁与使用”章节的要求拆解磨豆机。如果您遇到堵塞或任何其他问题，请访问FELLOW微信公众号（fellowproduct）以及常见问题（FAQ）页面。
- 请勿用于研磨完整咖啡豆以外的任何用途。
- 本电器适用于家用。规范用途以外的任何方式使用都会导致两年质保失效。
- 请勿在户外使用。
- 请勿把任何器具放入磨豆机或豆槽。
- 本产品含有强力磁铁。禁止让儿童接触玩耍强力磁铁。一旦吞咽，即使磁铁相对较小，也会造成严重的伤害。请随时把所有强力磁铁置于儿童接触范围以外。
- 在磁铁和所有可能被磁场损坏的物体之间应时刻保持安全距离（至少10厘米）。请记住，强力磁铁的磁场比“普通”磁铁强十倍！以下物体均会受到强磁场的损害，例如：机械表、心脏起搏器、CRT显示屏、电视机、信用卡、磁带、以及包括录像带在内的其他磁存储介质等。

警告！

- 在启动并使用磨豆机之前，请完整地阅读所有使用注意事项。
- 请勿使用磨砂布、烈性化学品、或化学清洁喷雾进行清洁，否则可能导致本电器外表面损坏。
- 请勿把磨豆机的任何部件放入洗碗机。
- 请勿在电子秤上使用磁性接粉罐。磁性接粉罐可能损坏电子秤或影响其精确度。我们不建议在电子秤上使用磁性接粉罐。
- 为了减少漏电和火灾的风险，请勿从机器基座拆除底部护壳或以任何方式拆解磨豆机的底座。其内部没有任何可供用户自行维修的部件。维修只能由原厂的服务人员完成。打开研磨机底座将使两年保修失效。
- 如果存在爆炸性或可燃性气体时，请勿操作。

请勿丢弃此安全指南。

清洁与使用

使用之前

拆除所有标签、说明标示、电线扎带、以及包装材料，包括静电贴、吊牌和挂绳等。

用柔软的湿布擦拭磨豆机的机身、擦拭磁性接粉罐和接粉罐的盖子，并彻底晾干。

把磨豆机放置在水平的台面上，接入电压正确的电源。

使用方法

1. 把研磨指示盘向左或向右旋转以选择研磨尺寸（1=精细，11=粗糙）。如果您在选择过程中需要帮助，请参阅研磨指南（图A）。
2. 把豆槽上盖从豆槽上取下。
3. 向豆槽中倒入适当分量的已烘焙的完整咖啡豆，最多80克/2.8盎司。放回上盖。确认接粉罐是空的并且完全位于研磨槽下方。请勿在倒空接粉罐之前研磨超过80克的咖啡。接粉罐过满会导致磨豆机堵塞。
4. 按下电源开关。磨豆机会开始研磨，在咖啡豆研磨完毕之后会自动停止。或者，长按电源开关1.5秒以上。磨豆机会持续研磨直到开关松开。

普通清洁

开始清洁之前，我们建议在不放入咖啡豆的情况下把磨豆机运行10秒，以帮助刀盘和研磨槽排出咖啡豆和碎末。

在清洁之前，必须把电源插头从插座中拔出。

如果您每天都使用磨豆机，则应至少每三个月使用清洁片（见下文“自动清洁”）或硬毛刷清扫一次刀盘。

如需清洁刀盘，按照“拆除与安装刀盘”章节中的说明拆下刀盘。

请勿把磨豆机浸入水中。刀盘禁止水洗！

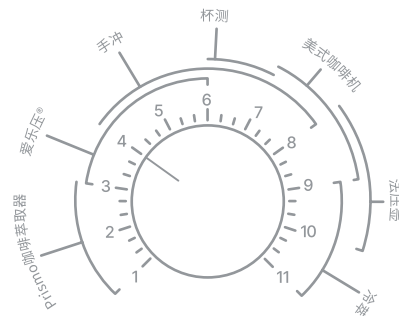
本产品电源接通时，绝对不可把手指伸入研磨槽！

使用随本机提供的毛刷，把咖啡粉末从刀盘上轻轻地刷下，按照“拆除与安装刀盘”章节中的说明装上刀盘。

如需清洗接粉罐，使用软布和温肥皂水轻柔地擦洗。清洁完毕后用干布擦干。

使用柔软的湿布擦拭磨豆机的外表面和豆槽。

图A：研磨指南



自动清洁

使用诸如URNEX GRINDZ™之类的磨豆机专用清洁片是一种快速清洁磨豆机的方法。这些清洁片可以脱除粘附在刀盘上的咖啡碎屑并且吸收/去除异味和咖啡油残留物，防止堵塞。

如需使用清洁片，请把磨豆机运行10-20秒以确认所有的咖啡豆都已从机内排出。按照清洁片的使用说明向磨豆机内放入适当的分量。把研磨指示盘调至11，按下电源开关启动磨豆机。把所有的清洁片磨进接粉罐。完成之后，我们建议再研磨大约30克咖啡以排出所有的研磨片残留物。从接粉罐中倒出磨碎的清洁片/咖啡，然后清洗。

维护

应执行任何其他服务由授权的服务代表。

清洁已堵塞的磨豆机

Ode磨豆机偶尔会发生堵塞并停止研磨。出现这种情况时，磨豆机在磨豆槽内所有咖啡豆之前就会停止研磨，并且发出“SOS”（紧急呼救）的鸣叫。

轻微的堵塞问题可以按以下方法解决：

1. 确认接粉罐是空的。把研磨指示盘调至11。
2. 从侧面把磨豆机拍打数次并且轻轻摇晃。
3. 按下电源开关，继续拍打磨豆机的侧面数秒。如果研磨过程恢复，说明堵塞问题已解决。如果未能恢复，请查阅解决重大堵塞问题的说明。

重大堵塞问题可按以下方法解决：

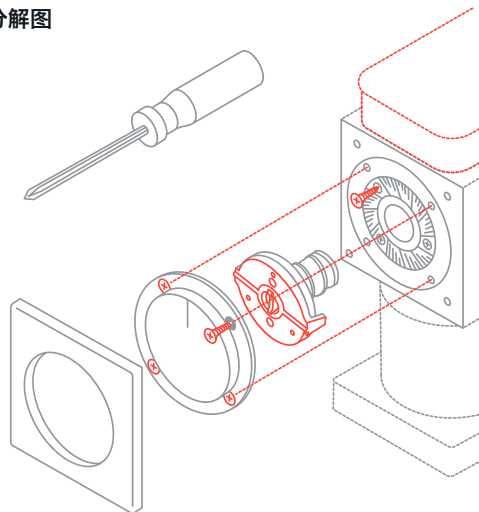
1. 断开磨豆机的电源。
2. 按照本手册“拆除与安装刀盘”章节中的说明拆下刀盘。
3. 清理研磨仓内的咖啡并把其丢弃。
4. 检查刀盘是否有粘附的咖啡豆或外来物（石子、树枝、未烘烤的咖啡豆等等）。清除粘附的异物并按本手册“清洁”章节中的说明清理刀盘。
5. 重新装回刀盘。在不放入咖啡豆的情况下，把磨豆机运行5秒，确认其运转正常。磨豆机应当安静地运作并且保持转速稳定。如果磨豆机发出异常的声响，重复上述过程，仔细检查并确认所有的咖啡碎屑都已清除完毕。如果问题仍然存在，请联系琥珀公司的客户服务部门。如需更多帮助，请访问微信公众号：**FELLOWPRODUCTS**。

拆除与安装刀盘

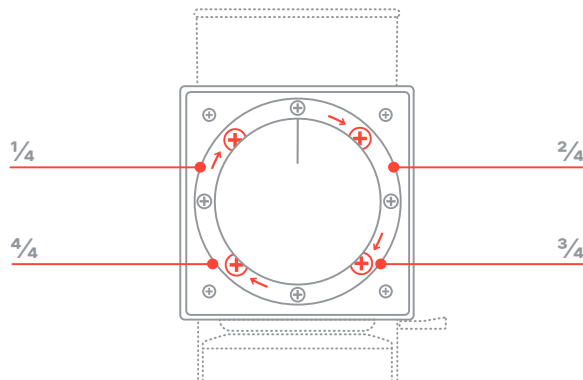
警告：研磨刀盘十分锋利，请小心处理！

1. 将研磨设置调整到11，拔下研磨机电源插头，然后倒空咖啡。
2. 首先拆下磨豆机的防护面板。防护面板采用了简单的卡入和拔出设计。轻轻地把手板向外拉并把其拔出。见图B。
3. 使用十字螺丝刀拧下箭头所指的四个较大的螺丝。详见图C。
4. 把研磨指示盘向外拉即可拆下。

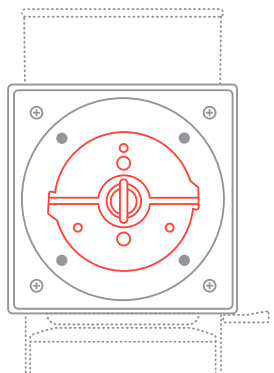
图B：部分分解图



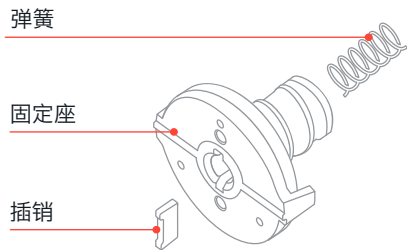
图C



图D



图E

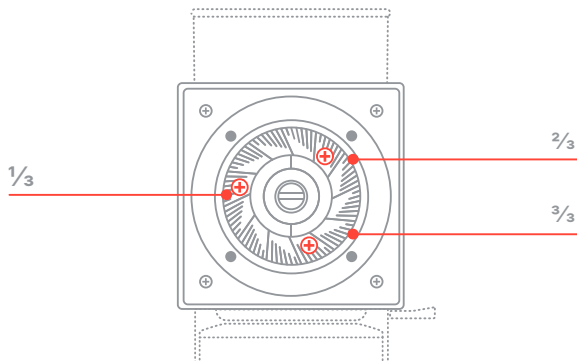


5. 向内按压，小心地从研磨仓中拆下外刀盘和固定座（靠近外侧的可旋转刀盘）、插销、以及弹簧。在拆解的过程中请小心不要丢失任何部件。详见图D和图E。如果您只是为了清洁，请不要再继续拆下其他刀盘。使用随本机提供的毛刷，把咖啡粉末从刀盘上轻轻地刷下，然后装上刀盘。

如果您需要更换刀盘，请继续以下步骤。

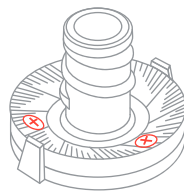
6. 内刀盘（固定式刀盘）安装在研磨仓上。如需拆下内刀盘，首先使用十字螺丝刀拆下三枚固定螺丝。如果这些螺丝上附有磨碎的咖啡，可能会对拆解过程造成影响。在尝试拆下螺丝之前，请先使用一个小毛刷清理已磨碎的咖啡。小心地拆下内刀盘。见图F。
7. 外刀盘安装在固定座上。如需拆下外刀盘，首先使用十字螺丝刀拆下三枚固定螺丝。如果这些螺丝上附有磨碎的咖啡，可能会对拆解过程造成影响。在尝试拆下螺丝之前，请先使用一个小毛刷清理已磨碎的咖啡。见第14页的图G和图H。
8. 小心拿起外刀盘，把其与固定座分离。

图F

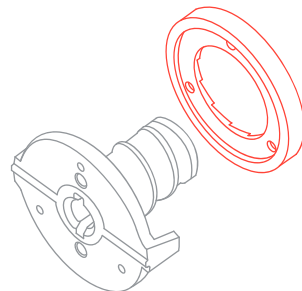


如需装上刀盘，依照上述步骤反向重复即可。请确认外刀盘已安装到固定座上，并且内刀盘已安装到研磨仓上。

图G



图H



Ode磨豆机的校正

Ode磨豆机的设计用途是用于手冲咖啡，无法达到大多数意式咖啡机所需的研磨精细度。然而，如果您希望磨得更加精细以满足更高质量的冲泡方法，您可能需要确认磨豆机的刀盘接触位置（又称“零位”）已正确校正，从而更好的满足您的需求。

由于本磨豆机到货时已经已正确校正，您会观察到研磨指示盘向顺时针稍有偏移，这是正常现象，并且，在制作最开始的10磅（约4530g）咖啡时请勿使用刻度1，因为刀盘会发出噪音并互相撞击造成损坏。

本磨豆机到货时，刀盘如在刻度1的位置发出噪音，则表明本机已校正。校正过的磨豆机在所有刻度下都能够满足研磨要求。这有助于磨豆机在整个使用寿命期间保持稳定的研磨性能。如果磨豆机到货之后，您在刻度1的位置听不到刀盘的噪音，那么在相同的设置条件下，您的研磨尺寸会比已校正的磨豆机更加粗糙。

更多信息请访问：微信公众号：**FELLOWPRODUCTS**

质保

如您的Ode磨豆机需要服务、保修，或有任何问题，欢迎通过微信公众号：FELLOWPRODUCTS或拨打0592-5792747与我们联系。在与FELLOW公司客服代表首次沟通前，请勿擅自将产品寄回生产厂家或带往服务中心。

两年有限保修

自消费者首次购买之日起两年内，FELLOW公司会承担任何由于材料或工艺问题导致的缺陷。

此质保仅限于：

国行新品。

通过授权经销商购买的磨豆机。

持有原始销售凭证作为购买证明以提出质保申请。

质保服务不包括由以下原因对产品造成的损害：

事故、不正确的使用、或由非授权人员进行的维修。

以错误的电流或电压进行操作。

未能执行磨豆机的清洁要求。


未能遵守本文件的警告和说明内容中列出的任何安全要求。

研磨已烘焙的完整咖啡豆以外的任何物品。

如果产品在保修期内出现缺陷，或者您对保修或服务有疑问，请访问我们 微信公众号：FELLOWPRODUCTS 并提交请求。

部件名称	有毒有害物质成份含量					
	铅 (Pb)	汞 (Hg)	镉 (Cd)	六价铬 (Cr6 ⁺)	多溴联苯 (PBB)	多溴二苯醚 (PBDE)
电源板	×	○	○	○	○	○

"○":表示该有害物质在该部件所有均质材料中的含量均在GB/T 26572-2011规定的限量要求以下。
"×":表示该有害物质至少在该部件的某一均质材料中的含量由于现有技术工艺限制而超出GB/T 26572-2011规定的限量要求。
在上述表格中，标注“×”的部件满足欧盟ROHS 2.0法规---欧盟电子电器产品中限制使用某些有害物质的2011/65/EU法规。

 在中华人民共和国境内销售的电器电子产品上将印有“环保使用期限”符号。圆圈中的数字代表产品的正常环保使用期限。

食品接触用 材料明细

本产品食品接触用材料及部分符合相应食品安全国家标准要求，具体信息如下

序号	部件名称	材料	类型/ 牌号	符合标准
1	研磨腔	铝合金	ADC3	GB4806.9-2016
2	螺杆			
3	研磨腔盖			
4	插销	304不锈钢	奥氏体不锈钢	GB4806.9-2016
5	网架	304不锈钢	奥氏体不锈钢	GB4806.9-2016
6	粉道	POM塑料	POM塑料	GB4806.7-2016
7	螺杆弹簧	304不锈钢	奥氏体不锈钢	GB4806.9-2016
8	接粉杯盖	ABS塑料	ABS塑料	GB4806.7-2016
		TPE硅胶	TPE硅胶	GB4806.11-2016
9	接粉杯体	304不锈钢	奥氏体不锈钢	GB4806.9-2016
10	豆箱盖	ABS塑料	ABS塑料	GB4806.7-2016
11	豆箱			
12	豆槽防跳豆盖			
13	刀盘	420不锈钢	马氏体不锈钢 3Cr13	GB4806.9-2016

系列产品包含以上食品接触材料，部分机型可能不含个别材料，以实际产品为准。

ODE BREW GRINDER

Fellow Industries Inc.

Fellowproducts.com

General agent in China: Song Po Trading (Xiamen) Co., Ltd.

Address: Unit 30, 20th Floor, No. 103, Mupu Road, Wuyuanwan, Huli District, Xiamen

Contact number: 0592-5792747

Email: HELLO@SONG-PO.COM

WeChat public account: FELLOWPRODUCTS

Product Name: Ode Brew Grinder Gen 2

Patents and Patents Pending: fellowproducts.com/pages/patents

2-Year Limited Warranty | Designed in San Francisco, Made in China

MODEL	SKU	SPECIFICATIONS
FLOD-02C	FLOD-BK02C FLOD-MW02C	220V / 50Hz / 150W Weight: 4.6 kg Dimensions (LxWxH): 239 mm x 105 mm x 248.3 mm Grinds Capacity: 100 g

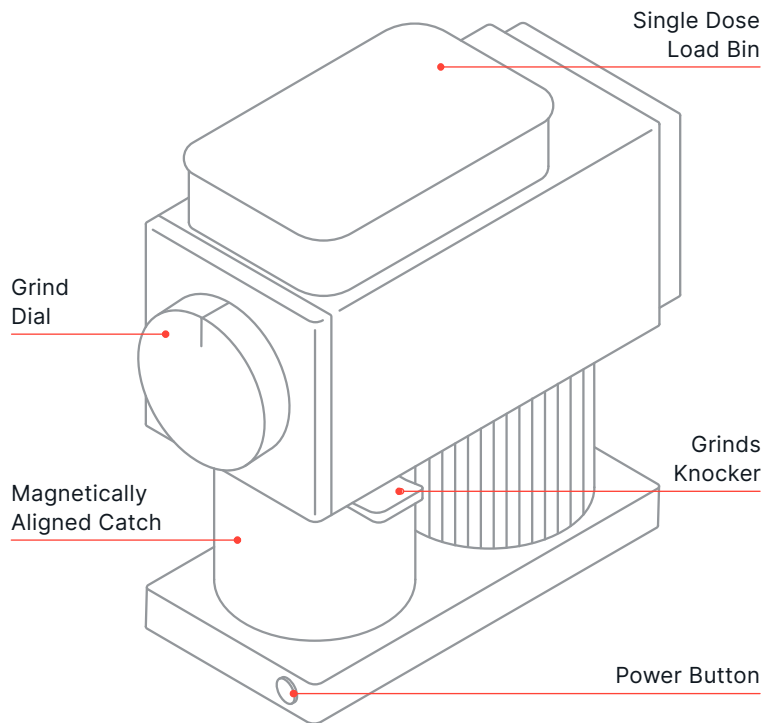


HOUSEHOLD USE ONLY

微信公众号: FELLOWPRODUCTS

WeChat public account: FELLOWPRODUCTS

Product Overview



READ ALL INSTRUCTIONS. DO NOT THROW AWAY THIS SAFETY GUIDE.

WARNING!

Shock Hazard: This appliance has a grounded, three-pronged plug. To ensure protection against risk of electric shock or fire, connect to properly grounded outlets only. The plug fits only one way into an outlet. Do not defeat the safety purpose of the plug by modifying the plug in any way or using an adapter. Do not plug this appliance into an outlet with a voltage other than specified on the bottom of this appliance.

Do not use an adapter with this appliance.

A short power supply cord is provided to reduce the risk of becoming entangled in or tripping over a longer cord. If a longer cord is necessary, an approved extension cord may be used. The electrical rating of the extension cord must be equal to or greater than the rating of this appliance. Take care to arrange the extension cord to not drape over the countertop or tabletop where it can be pulled on by children or tripped over. To avoid an electrical circuit overload, do not use any high wattage appliance on the same circuit with this appliance.

IMPORTANT SAFEGUARDS

Before use, please read these safety warnings carefully and use the grinder properly. These safety warnings are indicated for the safe and proper use of this product to prevent danger to the user or others and damage to property.

When using electrical appliances, basic safety precautions should always be followed, including the following:

- After unpacking the grinder, dispose carefully of the plastic bags and other packaging so that children and others cannot reach them.
- This appliance has a grounded, three-pronged plug and must be grounded with a three-pronged outlet when in use. To ensure protection against risk of electric shock or fire, connect to properly grounded outlets only.
- Do not immerse cord, plug, or any other part of the grinder in water or other liquid to protect against risk of electrical shock.
- The use of attachments not recommended or sold by the manufacturer may cause fire, electric shock, or injury.
- Use only with AC current and the correct voltage. Ensure that your main supply voltage is the same as that marked on the underside of your grinder. To avoid an electrical overload, do not operate another high-wattage appliance on the same circuit.
- Never leave the grinder unattended when in use. Close supervision is necessary when any appliance is used by or near children. Do not use within a child's reach.
- This appliance is not intended for use by persons (including children) with reduced physical, sensory, or mental capabilities, or lack of experience and knowledge, unless they are closely supervised and instructed concerning use of the appliance by

IMPORTANT

- For proper use, operate this appliance for less than 90 seconds per time with a minimum of 90 seconds rest time maintained between a continuous two cycles.
- The grinder can not work for 6 minutes continuously within 10 minutes, and it must rest for 30 minutes if the working time exceeds 6 minutes.

a person responsible for their safety. Close supervision is necessary when any appliance is used by or near children. Children should be supervised to ensure that they do not play with the appliance.

- Grinder must be operated on a dry, flat surface away from the edge of the counter to prevent accidental tipping. Vibration during operation may cause the grinder to move.
- Do not place where the grinder could touch any other source of heat. For example, on or near a hot gas burner or electric burner, in a heated oven, or in a microwave.
- Avoid contact with moving parts of the grinder.
- Do not tamper with the finger guard covering the electrically grounded chute.
- Never move the grinder while the unit is in use.
- Check the load bin for any foreign objects that are not coffee beans before using.
- Do not put any substances other than coffee beans and grinder cleaner into the grinder.
- Use only whole bean coffee in the grinder. Do not put coffee that has already been ground into the grinder. Re-grinding coffee that has already been ground can cause your grinder to wear out faster and will void the warranty.

CAUTION!

- Please read all use instructions fully before turning on and using your grinder.
 - Do not use abrasive pads, harsh chemicals, or spray cleaner chemicals to clean. These may damage the surface of the appliance.
 - Do not put any part of your grinder in the dishwasher.
-
- Turn the appliance OFF, then unplug from the outlet when not in use, before assembling or disassembling parts and before cleaning. Allow parts to stop moving before cleaning the grinder. Do not use the grinder without lid properly placed on load bin.
 - Only clean the outside of the grinder with a damp cloth.
 - Take care to not tip grinder, this could damage the knocker and internal components.
 - To unplug, grasp plug and remove from the outlet. Never pull on the cord.
 - Do not let cord hang over the edge of a table or counter.
 - Do not operate the grinder with a damaged cord or plug, if the grinder malfunctions, or is dropped or damaged in any manner. Return the appliance to the nearest authorized service facility for examination, repair, or adjustment.
 - If you're having trouble with jamming or any other issues, visit WeChat public account: **FELLOWPRODUCTS** for help.
 - Do not use for any purpose other than grinding whole bean coffee.
 - This appliance is intended for household use only. Use for anything other than intended use will void the two-year warranty.
-
- This product contains neodymium magnets. Children should NEVER be allowed to play with NEODYMIUM magnets. Even relatively small magnets can cause serious injury if swallowed. Always keep all neodymium magnets out of the reach of children.
 - Always keep a safe distance (at least 10 cm) between magnets and all objects that can be damaged by magnetism and remember, neodymium magnets are ten times stronger than 'ordinary' magnets! Items such as mechanical watches, heart pacemakers, CRT monitors and televisions, credit cards, diskettes, and other magnetically stored media such as video tapes are all affected by powerful magnets.
 - Do not use the magnetic catch on top of an electronic scale. The magnetic catch may interfere with the accuracy of or even damage an electronic scale. It is not recommended to use the magnetic catch on top of an electronic scale.
 - To reduce the risk of fire or electric shock, do not remove bottom cover from base or disassemble base of the grinder in any way. There are no user-serviceable parts inside. Repair should be done by authorized service personnel only. Opening base of the grinder will result in a void of the two-year warranty.
 - Do not operate in the presence of explosive and/or flammable fumes.

SAVE THESE INSTRUCTIONS

CLEANING AND USE

BEFORE USE

Remove and recycle or discard all stickers, descriptive labels, cable ties and packing materials, including static stickers and hang tags with ties.

Before cleaning, we recommend running the grinder for 10 seconds without coffee beans to help clear beans/grounds from the burrs and grinds chute.

Always unplug power cord from power outlet before cleaning.

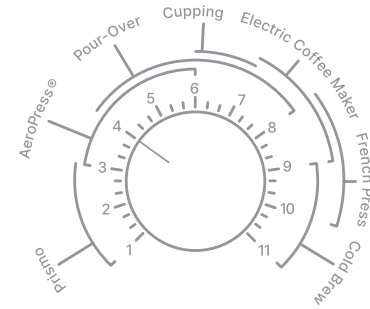
Wipe body of the grinder with a soft, damp cloth. Wipe down magnetically aligned catch and catch lid and dry thoroughly.

Place grinder on a level surface and plug into a correct voltage.

HOW TO USE

1. Select grind size by twisting the grinds dial to the left or right (1 = fine, 11 = coarse). See our Grind Guide (**Diagram A**) to help make your selection.
2. Remove the lid from the single dose load bin by lifting off.
3. Pour the desired quantity of roasted whole coffee beans into the load bin up to a maximum of 100 g /3.5 oz. Replace the lid. Ensure the catch is fully beneath the chute and is empty. *Do not grind more than 100 g of coffee without emptying the catch. Allowing the catch to overfill can jam the grinder.*
4. Press power button. The grinder will start grinding and stop automatically once your beans are done grinding. OR press and hold the power button for more than 1.5 seconds. The grinder will grind until the button is released.

Diagram A:
Grind Guide



GENERAL CLEANING

If the grinder is used daily, the burrs should be cleaned at least every three months using tablets (see "Automatic Cleaning") or with a stiff brush.

To clean burrs, remove the burrs following the instructions in the "Removing and Replacing Burrs" section.

Do NOT immerse the grinder in water. Do NOT wash the burrs with water.

Never place fingers into the grind chute while product is plugged in.

Using the provided brush, gently brush coffee dust off of the burrs and replace burrs following the instructions in the "Removing and Replacing Burrs" section.

To wash the catch, wipe gently with a soft cloth and warm soapy water. Dry with a dry cloth after cleaning.

Wipe grinder exterior and load bin with a soft, damp cloth.

AUTOMATIC CLEANING

A fast way to clean your grinder is using grinder cleaning tablets like Urnex Grindz™ grinder cleaning tablets. These are designed to prevent clogging by freeing coffee particles stuck to the burrs and absorbing/removing odors and coffee oil residue.

To use cleaning tablets, make sure all beans are run through your grinder by running it for 10-20 seconds. Use the cleaning tablet instructions to place appropriate amount into grinder. Adjust the grind setting to 11 and press the power button to run the grinder. Grind all of the tablets into the catch. Once complete, we recommend grinding approximately 30 g coffee to remove any tablet residue. Discard the ground tablets/coffee from the catch and clean.

MAINTENANCE

Any other servicing should be performed by an authorized service representative.

CLEARING A JAMMED GRINDER

On occasion, Ode Brew Grinder may become jammed and stop grinding. When this occurs, the grinder will stop grinding before it has finished all the coffee in the hopper and beep “SOS” (save our ship).

Minor jams can be cleared as follows:

1. Check that the catch is empty. Turn the grinds dial to setting 11.
2. Tap the grinder firmly on the side several times and shake.
3. Press the power button and continue to firmly tap the side of the grinder for several seconds. If grinding resumes, the jam is cleared. If not, proceed to the instructions for clearing a major jam.

Major jams can be cleared as follows:

1. Unplug the grinder.
2. Remove the burrs as instructed in the “Removing and Replacing Burrs” section of this manual.
3. Clear coffee from the grinds chamber and discard.
4. Inspect burrs for coffee beans or foreign materials (rocks, sticks, unroasted coffee bean, etc.) that may be stuck. Remove stuck coffee beans and clean burrs as instructed in the “Cleaning” section of this manual.
5. Reinstall burrs. Run grinder without coffee for 5 seconds to check that it operates as expected. The grinder should spin quietly and at an even speed. If the grinder is making an unexpected noise, repeat this process and carefully inspect to ensure that all coffee particles have been cleared out. If the problem persists, please contact WeChat public account **FELLOWPRODUCTS**.

REMOVING AND REPLACING THE GRINDING BURRS

CAUTION: The Grinding Burrs are sharp, please handle carefully!

1. Adjust your grind setting to 11, unplug your grinder, and empty it of coffee.
2. Start by removing the faceplate of the grinder. The faceplate simply snaps on and off. Pull gently on the faceplate for it to snap off. See **Diagram B** for reference.
3. Using a Phillips-head screwdriver, unscrew the four larger size screws that have arrows pointing to them. See **Diagram C** for reference.
4. Pull on grind dial to remove the grinds dial assembly.
5. Carefully remove the rotational burr/auger (the burr closest to you), auger key, and spring from the grinds chamber by pressing in.

Diagram B:
Exploded View

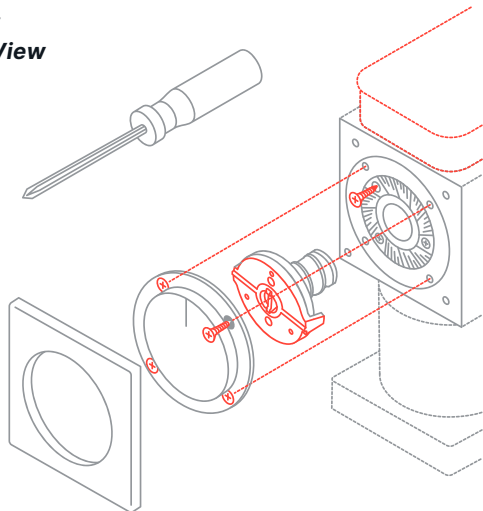


Diagram C

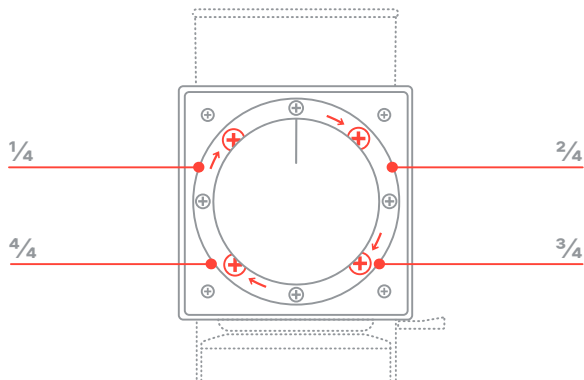


Diagram D

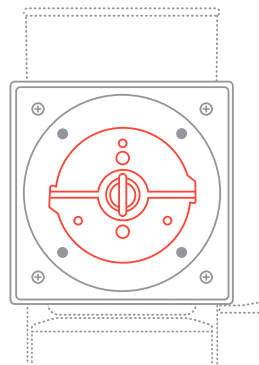
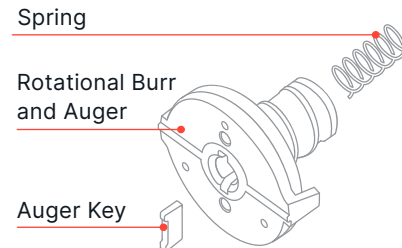


Diagram E



Take care not to lose any pieces as you remove. See **Diagrams D & E** for reference. If you are just cleaning, do not disassemble the burrs further. Using the provided brush, gently brush coffee dust off of the burrs and replace burrs.

If you are replacing the burrs, continue onto the next steps.

6. The stationary burr is attached to the grinds chamber. To remove the stationary burr, start by using a Phillips-head screwdriver to remove the three screws that hold it in place. If there is ground coffee in these screws that interferes with their removal, use a small brush to clear the ground coffee before attempting to remove the screws. Carefully remove the stationary burr (**Diagram F**).
7. The rotational burr is attached to the auger. To remove the rotational burr, start by using a Phillips-head screwdriver to remove the three screws that hold it in place. If there is ground coffee in these screws that interferes with their removal, use a small brush to clear the ground coffee before attempting to remove the screws (**Diagrams G & H**).

8. Carefully lift the rotational burr away from the auger.

To replace the burrs, repeat these steps in reverse order. Make sure that the rotational burr is reattached to the auger and that the stationary burr is reattached to the grinds chamber.

Diagram F

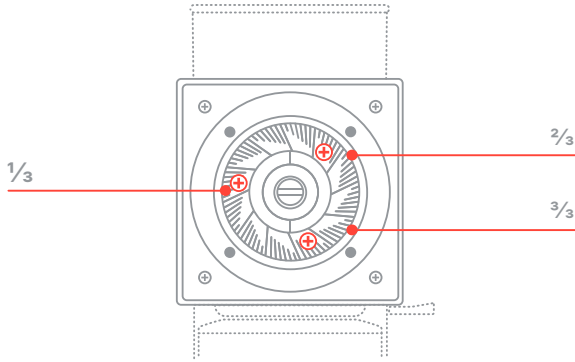


Diagram G

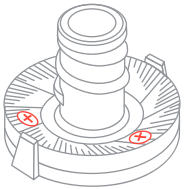
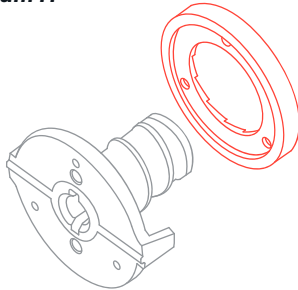


Diagram H



CALIBRATING YOUR ODE BREW GRINDER

Ode Brew Grinder is designed for brewing coffee and cannot grind fine enough for most espresso-machines. However, if you like to grind finely for AeroPress® Coffee Maker, Prismo, Hario V60, or other brewing methods, you may want to make sure that where the burrs touch, or “zero point,” of your grinder is correctly calibrated to better achieve this range.

Your grinder arrives calibrated from the factory. As the burrs are seasoned, the burr touch point will drift slightly which is normal and as such you should expect the settings to shift slightly coarser.

Keeping your grinder calibrated so that Setting 1 is always 1 click away from the burr touch point helps keep the grinding performance consistent over the life of your grinder.

Find more information at WeChat public account:
FELLOWPRODUCTS.

WARRANTY

For service, repair, or any questions regarding your Ode Brew Grinder, please visit WeChat public account **FELLOWPRODUCTS.** Do NOT mail the product back to the manufacturer or bring it to a service center without first talking to a Fellow customer service representative.

2-Year Warranty

Fellow warrants this product against any defects that are due to faulty material or workmanship for a two-year period after the original date of consumer purchase.

This warranty is valid only for:

The original consumer.

When the grinder is purchased through authorized retailers.

With the original sales receipt for proof of purchase to make your warranty claim.

This warranty does not include damage to the product resulting from:

Accident, misuse, or repairs performed by unauthorized personnel. Operation with the wrong type of current or voltage.

Failure to follow cleaning instructions for the grinder.

Failure to comply with any safeguards listed in the warnings and instructions of this document.

Grinding anything other than whole roasted coffee beans.

If the product should become defective within the warranty period, or you have questions regarding warranty or service, visit us WeChat public account **FELLOWPRODUCTS** and submit a request.

微信公众号: / WeChat public account:
FELLOWPRODUCTS