

FELLOW®

STAGG EKG PRO

Electric Pour-Over Kettle

**SAFETY AND MAINTENANCE
SÉCURITÉ ET ENTRETIEN
SEGURIDAD Y MANTENIMIENTO**

**IMPORTANT: Read this manual before first use of this kettle.
Keep this manual for future reference by you and new users.**

This manual is valid for the following Fellow appliances:

DEVICE	MODEL	
Stagg EKG Pro	EP20AAUS	Stagg EKG Pro
	EPS0AAUS	Stagg EKG Pro Studio Edition



USA and Canada: Household and Commercial Use

US FCC and Canada ISED Compliance Statements: This device complies with Part 15 of the US FCC Rules and RSS-210 of Innovation Science and Economic Development Canada. Operation is subject to the following two conditions: (1) This device may not cause harmful interference, and (2) this device must accept any interference received, including interference that may cause undesired operation. Contains Transmitter FCC ID: 2AC7Z- ESP32WROVERE IC ID: 21098-ESPWROVER.

WARNING: Changes or modifications to this unit not expressly approved by the party responsible for compliance could void the user's authority to operate the equipment.

NOTE: This equipment has been tested and found to comply with the limits for a Class B digital device, pursuant to Part 15 of the FCC Rules. These limits are designed to provide reasonable protection against harmful interference in a residential installation. This equipment generates, uses, and can radiate radio frequency energy, and if not installed and used in accordance with the instructions, may cause harmful interference to radio communications. However, there is no guarantee that interference will not occur in a particular installation. If this equipment does cause harmful interference to radio or television reception, which can be determined by turning the equipment off and on, the user is encouraged to try to correct the interference by one or more of the following measures:

- Reorient or relocate the receiving antenna.
- Increase the separation between the equipment and receiver.
- Connect the equipment into an outlet on a circuit different from that to which the receiver is connected.
- Consult the dealer or an experienced radio/TV technician for help.
- This Class B digital apparatus complies with Canadian ICES-003.
CAN ICES-3 (B)/NMB-3(B)

STAGG EKG PRO

Fellow Industries Inc.
Fellowproducts.com
Email: hello@fellowproducts.com
San Francisco, CA 94110

Product Name: Stagg EKG Electric Pour-Over Kettle Pro | US Patents Pending
 1-Year Limited Warranty | Designed in San Francisco, Made in China

MODEL	SPECIFICATIONS
EP20AAUS EKG Pro	110-120V~ / 1000-1200W / 50-60Hz Weight: 1250 g (includes kettle base) Dimensions (LxWxH): 11.10 in (282 mm) x 6.77 in (172 mm) x 7.7 in (196 mm) Capacity: 30 oz (0.9 L) Cord length: 2.5 ft (76.2 cm)

Product Name: Stagg EKG Pro Studio Edition Electric Pour-Over Kettle | US Patents Pending
 1-Year Limited Warranty | Designed in San Francisco, Made in China

MODEL	SPECIFICATIONS
EPS0AAUS EKG Pro Studio Edition	110-120V~ / 1000-1200W / 50-60Hz Weight: 1400 g (includes kettle base) Dimensions (LxWxH): 11.10 in (282 mm) x 6.77 in (172 mm) x 7.7 in (196 mm) Capacity: 30 oz (0.9 L) Cord length: 2.5 ft (76.2 cm)

**THIS PRODUCT IS FOR
USA AND CANADA: HOUSEHOLD AND COMMERCIAL USE**

More info at Fellowproducts.com/staggekgpromanual

READ AND FOLLOW ALL INSTRUCTIONS. KEEP THIS SAFETY AND MAINTENANCE MANUAL FOR FUTURE REFERENCE.

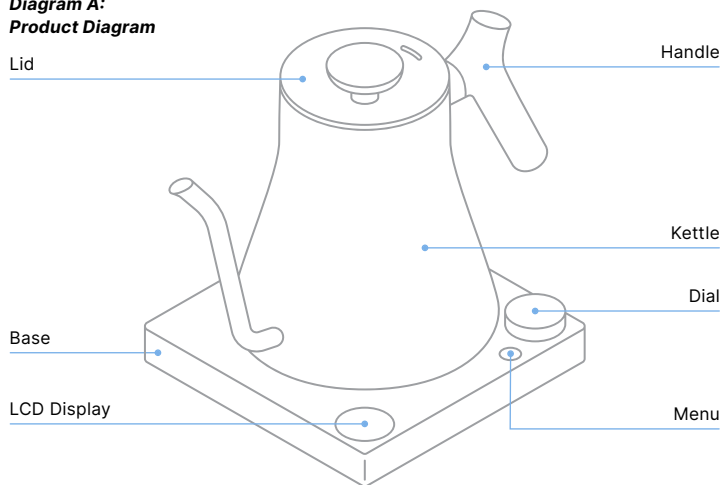
WARNING!

Shock Hazard: This appliance has a grounded, three-pronged plug. To ensure protection against risk of electric shock or fire, connect to properly grounded outlets only. The plug fits only one way into an outlet. Do not defeat the safety purpose of the plug by modifying the plug in any way or using an adapter. Do not plug this appliance into an outlet with a voltage other than specified on the bottom of this appliance.

Do not use an adapter with this appliance.

A short power supply cord is provided to reduce the risk of becoming entangled in or tripping over a longer cord. To avoid an electrical circuit overload, do not use any high wattage appliance on the same circuit with this appliance.

Diagram A:
Product Diagram



IMPORTANT SAFEGUARDS

Before use, please read these safety warnings carefully and use the product (*Diagram A*) properly. These safety warnings are indicated for the safe and proper use of this product to prevent danger to the user or others and damage to property.

When using electrical appliances, basic safety precautions should always be followed, including the following:

- Stagg EKG Pro's electric base is small and the kettle's body looks strikingly similar to our stovetop kettle but make no mistake, they are not the same! This is an electric kettle that CANNOT be used on a stove.
- Do not place on or near a hot gas burner or electric burner, in a heated oven, or in a microwave.
- Do not touch the hot surfaces of the product. Use the handle at all times.
- To protect against fire, electric shock, and injury to persons, do not immerse cord, plug, or any other part of the kettle or base in water or other liquid.
- No part of Stagg EKG Pro is dishwasher safe. Do not put Stagg EKG Pro or any parts of Stagg EKG Pro in the dishwasher.
- Never leave Stagg EKG Pro unattended while in use or in Hold mode.
- Close supervision is necessary when any appliance is used by or near children. Do not use it within a child's reach.
- This appliance is not intended for use by persons (including children) with reduced physical, sensory, or mental capabilities, or lack of experience and knowledge.
- Children should be supervised to ensure that they do not play with the appliance.
- Unplug from outlet when not in use for extended periods of time and before cleaning.
- Allow to cool before putting on or taking off parts and before cleaning the appliance.

IMPORTANT SAFEGUARDS CONTINUED

- To disconnect from power source, press the dial to switch "OFF" and then remove plug from outlet. Do not pull on the cord itself as it may damage the cord and eventually cause electric shock.
- Do not operate Stagg EKG Pro with a damaged cord or plug, if the kettle malfunctions, or if the product has been damaged in any manner. Return appliance to the nearest authorized service facility for examination, repair, or adjustment.
- Ensure that your main supply voltage is the same as that marked on the underside of your kettle.
- To avoid an electrical overload, do not operate another high-wattage appliance on the same circuit.
- The use of accessory attachments not recommended by Fellow may result in fire, electric shock, or injury to persons.
- Do not use outdoors.
- Do not place any utensils into the kettle.
- After unpacking kettle, dispose of all plastic bags to ensure children and others cannot reach them.

WARNING! TO PREVENT SCALDING:

Never use the kettle without its lid.

Do not remove the lid while the kettle is boiling.

Scalding may occur if the lid is removed during the heating and brewing process.

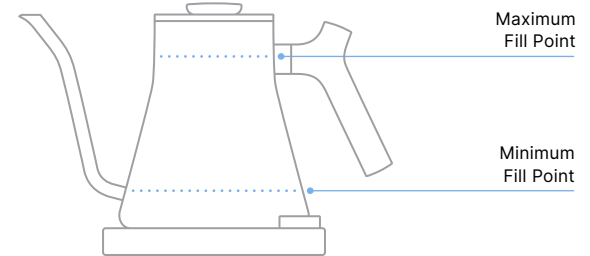
Be aware of steam being emitted from the spout or lid especially during refilling.

Water can remain hot for a long time after boiling and can present a scalding hazard. Keep the kettle and the kettle base away from the edge of the work surface and out of the reach of children. Do not remove the lid until the kettle cools down.

WARNING: Do not fill above the Maximum Fill Point as displayed in the diagram below.

If the kettle is overfilled, hot water may be expelled, increasing the risk for scalding. See *Diagram B*, below, for reference. We suggest using only the amount of water you need to conserve water and energy.

Diagram B:
Fill Points



WARNING: Do not operate dry or below the Minimum Fill Point.

Stagg EKG Pro must have a minimum of 333 ml/11 fl oz to function. Dry boiling the kettle may result in permanent damage to the kettle and potential fire. The Minimum Fill Point is 1 inch (2.54 cm) above the floor of the kettle. See *Diagram B*, above, for reference.

IMPORTANT SAFEGUARDS CONTINUED

- Do not let cord hang over the edge of the table or counter or touch hot surfaces. Do not use an extension cord.
- Remove the kettle from the kettle base before filling. Remove all moisture on the bottom of the kettle before placing it onto the kettle base.
- Kettle must be operated on a flat surface away from the edge of the counter to prevent accidental tipping.
- Never move the kettle and kettle base together while the unit is in use.
- To avoid burns and risk of personal injury, use extreme caution when carrying the kettle containing hot water.
- Do not use the kettle if your hands are wet.
- Position the kettle properly on the kettle base before switching on.
- After using the kettle, wait until the kettle has cooled down before removing the lid. To avoid possible steam damage, turn spout away from walls or cabinets during use.
- If setting down the kettle body on a table surface, use a protective pad under the kettle after it has been heated to prevent damage to surfaces.
- To reduce the risk of fire or electric shock, do not remove bottom cover from base or disassemble base or kettle in any way. There are no user-serviceable parts inside. Repair should be done by authorized service personnel only. Opening base or kettle will result in a void of the one-year warranty.
- Do not operate in the presence of explosive and/or flammable fumes.
- Do not use the kettle for other than intended use. This appliance is intended for household and commercial use only. Use for anything other than intended use will void the one-year warranty.

IMPORTANT!

Use the kettle only with the delivered kettle base provided by Fellow. Do not use any other kettle on the delivered base, or any other base with the delivered kettle unless specifically provided and advised by Fellow.

Stagg EKG Pro's base and kettle are not compatible with the base or kettle of Stagg EKG, Stagg EKG+, Corvo EKG, or Stagg Pour-Over Kettle.

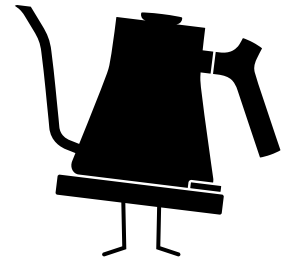
GROUNDING PLUG

This appliance has a grounded, three-prong plug and must be grounded with a three-prong outlet when in use. To ensure protection against risk of electric shock or fire, connect to properly grounded outlets only. Do not attempt to bypass this safety feature.

DO NOT HEAT AN EMPTY KETTLE

The concealed heating element in the bottom of the kettle body is protected by an automatic safety device. If your kettle is accidentally heated without being filled or is allowed to boil dry, it will automatically cool down and then turn off. If this happens, unplug the kettle, fill with cold water, and wait a few minutes before replacing it on the base and plugging in.

SAVE THESE
INSTRUCTIONS

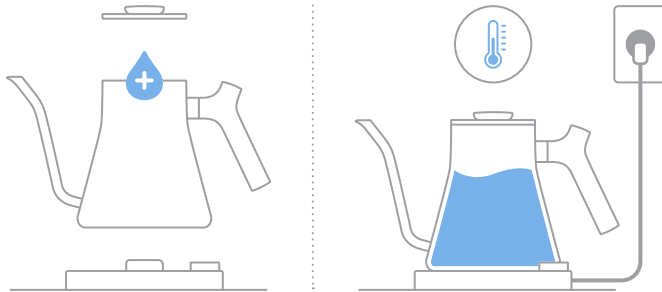


INITIAL USE

CLEANING – FIRST TIME USE

1. Place Stagg EKG Pro's base and kettle on a flat, level surface.
2. Remove kettle from the base and remove the lid to add water.
(Do not remove the lid if the lid is hot.)
3. Rinse the interior of the kettle, then add water to the kettle until approximately halfway full (between the Minimum Fill Point and Maximum Fill Point in *Diagram B*).
4. After adding water, insert lid and ensure spout is not close to and/or facing a wall or cabinet.
5. Following the safety guidelines, plug the power-supply cord into wall outlet.
6. Set Goal temperature (see *High Altitude Chart*) to boil water.
7. Once Goal temperature (see *High Altitude Chart*) is reached, continue to boil water for approximately one minute. Turn off the kettle with a quick press of the dial. The LCD screen will turn black.
8. Discard the water inside the kettle. This water should not be consumed.
Your Stagg EKG Pro is now ready to use.

Diagram C:
Initial Use



CLEANING

Before cleaning, ensure the base is unplugged and the kettle has cooled completely. Empty any remaining water from the kettle.

CAUTION: Never immerse the kettle in water or other liquids. This could cause permanent damage to the kettle.

Do not place any parts of the kettle in a dishwasher.

Wipe the exterior of the kettle and base with a damp cloth or sponge, then dry. Do not use abrasive soaps, cleansers, or scouring pads on any part of the kettle as it may damage the finish.

Over time, the kettle may lose the ability to reach boiling temperature. This may be due to scaling and mineral deposits which can build up on the inside of the kettle depending on your use and the hardness of water in your area. When this happens, use a scale/lime remover, following the scale/lime remover manufacturer's directions.

STORAGE

Clean and dry all parts before storing. Store the kettle in its box or in a clean, dry place.

Never wrap the power-supply cord around the kettle.

HOW TO USE

Please read this entire Safety and Maintenance manual fully before turning on and using your kettle.

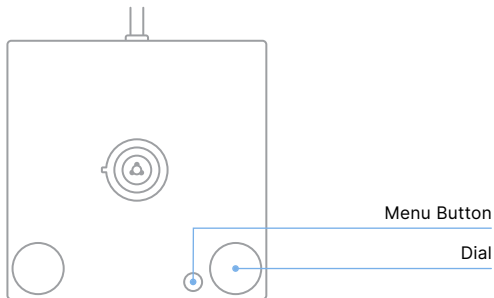
CONNECT STAGG EKG PRO TO WIFI

The Fellow app is required for connectivity. Stagg EKG Pro does not connect automatically to WiFi.

1. Download the Fellow app onto your phone at [Fellowproducts.com/app](https://fellowproducts.com/app).
2. Ensure Stagg EKG Pro is plugged into an outlet.
3. Ensure Stagg EKG Pro is in an area with good WiFi coverage.
4. Know your WiFi network name and WiFi network password.
5. Open the Fellow app and follow the instructions in the app to connect.
6. From here, you can control your Stagg EKG Pro from the app.
7. For more information or troubleshooting your WiFi connection, please head to [Fellowproducts.com/staggekgpromanual](https://fellowproducts.com/staggekgpromanual).

IMPORTANT: Keeping Stagg EKG Pro connected to WiFi ensures that your kettle's firmware is up to date!

Diagram D:
ON/OFF, Menu Access



TURN KETTLE ON/OFF

To turn Stagg EKG Pro on, press the menu button OR the dial and wait for the screen to light up. To turn Stagg EKG Pro off, press the dial and wait for the screen to turn black.

SET GOAL TEMPERATURE

From the main screen when Stagg EKG Pro is powered on, turn the dial to change the goal temperature. Turn the dial clockwise to increase the goal temperature. Turn the dial counterclockwise to decrease the goal temperature.

Once you arrive at your desired temperature, stop turning the dial. Stagg EKG Pro will display the set temperature for a moment and then begin heating to the desired temperature. If the kettle is ever removed and set back on the base, the kettle will start heating to your goal temperature right away.

IMPORTANT: If Pre-Boil is enabled, the kettle will first heat to boiling before cooling down to your goal temperature.

MENU ACCESS

Stagg EKG Pro has a host of brew tools. To enter the menu:

1. Press the dial to turn on your kettle and start warming-up water. The LCD screen will light up.
2. Press the menu button to navigate to the main menu.
3. Once within the main menu, rotate the dial clockwise or counterclockwise to navigate between the available menu options. Press the dial to enter or validate a choice.
4. Press the menu button to leave the menu.
5. Press the dial to turn off your kettle. The LCD screen will turn black.

To see more details on the menu please visit [Fellowproducts.com/staggekgpromanual](https://fellowproducts.com/staggekgpromanual) or scan this QR Code.



HIGH ALTITUDE USE

CAUTION: Water boils at lower temperatures in higher altitudes (see *High Altitude Chart* below). If the Set temperature is higher than the boiling point of water at a given altitude, Stagg EKG Pro will continue to provide heat to attempt to reach the Goal temperature. This causes excess energy usage and potential damage to the kettle.

Using the **Altitude** setting, Stagg EKG Pro will determine the maximum allowable target temperature based on the user-input altitude to mitigate energy waste and risk of kettle damage.

HIGH ALTITUDE CHART

Altitude, ft (m)	Boiling Point Of Water, °F (°C)
0 ft (0 m)	212°F (100°C)
500 ft (150 m)	211.1°F (99.5°C)
1,000 ft (305 m)	210.2°F (99°C)
2,000 ft (610 m)	208.4°F (98°C)
5,000 ft (1524 m)	203°F (95°C)
6,000 ft (1829 m)	201.1°F (94°C)
8,000 ft (2438 m)	197.4°F (91.9°C)
10,000 ft (3048 m)	193.6°F (89.8°C)
12,000 ft (3658 m)	189.8°F (87.6°C)
14,000 ft (4267 m)	185.9°F (85.5°C)

SERVICE

For service or any questions regarding your appliance, first visit **Fellowproducts.com/staggekgpromanual**. If you still have questions, reach out to us at **Help.fellowproducts.com**.

Do NOT mail the product back to the manufacturer or bring it to a service center without first talking to a Fellow customer service representative.

1-YEAR LIMITED WARRANTY

Fellow warrants this product against any defects that are due to faulty material or workmanship for a one-year period after the original date of consumer purchase.

This warranty is valid only for:

- The original consumer.
- Kettles purchased through authorized retailers.
- Kettles with the original sales receipt for proof of purchase.

This warranty does not include damage to the product resulting from:

- Accident, misuse, or repairs performed by unauthorized personnel.
- Operation with the wrong type of current or voltage.
- Failure to follow cleaning instructions for both the kettle and cleaning/descaling agents.
- Failure to comply with any safeguards listed in the warnings and instructions of this document.

If the product should become defective within the warranty period, or you have questions regarding warranty or service, email us at **hello@fellowproducts.com**

Find more information at:
Fellowproducts.com/staggekgpromanual

IMPORTANT : Lisez le présent manuel avant d'utiliser cette bouilloire pour la première fois. Conservez ce manuel pour que vous-même et les futurs utilisateurs puissiez le consulter ultérieurement.

Le présent manuel est valable pour les appareils Fellow suivants :

APPAREIL	MODÈLE	
Stagg EKG Pro	EP20AAUS	Stagg EKG Pro
	EPS0AAUS	Stagg EKG Pro Édition Studio



É.-U. et Canada : Pour un usage ménager et commercial

Énoncés de conformité de la FCC des États-Unis et d'ISDE Canada : Le présent appareil est conforme à l'article 15 des règlements de la FCC des États-Unis et à la directive RSS-210 d'Innovation, Sciences et Développement économique Canada. Son utilisation est assujettie aux deux conditions suivantes : (1) Cet appareil peut causer du brouillage préjudiciable et (2) cet appareil doit accepter tout brouillage reçu, y compris le brouillage risquant d'engendrer un fonctionnement indésirable. Contient un émetteur dont l'ID FCC est le suivant : 2AC7Z-ESP32WROVERE IC ID : 21098-ESP32WROVERE.

AVERTISSEMENT : Les modifications apportées à cet appareil qui ne sont pas expressément approuvées par la partie responsable de la conformité pourraient frapper de nullité le droit d'utiliser l'appareil de l'utilisateur.

REMARQUE : Cet appareil a été mis à l'essai et déclaré conforme aux limites prévues pour un appareil numérique de classe B, en vertu de la partie 15 du règlement de la FCC. Ces limites ont été établies pour fournir une protection raisonnable contre le brouillage préjudiciable dans le cadre d'une installation résidentielle. Cet appareil génère, utilise et diffuse des ondes radio et, s'il n'est pas installé et utilisé conformément aux instructions connexes, il peut provoquer du brouillage préjudiciable aux communications radio. Cependant, il est impossible de garantir qu'aucun brouillage ne se produira avec un type d'installation en particulier. Si, lors d'une réception radio ou télévisée, cet appareil produit du brouillage préjudiciable qui peut être détecté en éteignant puis en rallumant l'appareil, essayez de le corriger en prenant l'une ou plusieurs des mesures suivantes :

- réorientez ou déplacez l'antenne réception;
- augmentez la distance entre l'appareil et le récepteur;
- branchez l'appareil sur la prise électrique d'un circuit différent de celui auquel le récepteur est raccordé;
- communiquez avec le revendeur ou un technicien radio/télévision qualifié pour toute assistance.
- Cet appareil numérique de la classe B est conforme à la norme ICES-003 canadienne. CAN ICES-3 (B)/NMB-3(B)

STAGG EKG PRO

Fellow Industries Inc.
Fellowproducts.com
Courriel : hello@fellowproducts.com
San Francisco, CA 94110

Nom du produit : Bouilloire électrique intelligente Stagg EKG Pro | Brevets américains en instance Garantie limitée d'un (1) an | Conçue à San Francisco, fabriquée en Chine

MODÈLE	CARACTÉRISTIQUES TECHNIQUES
EP20AAUS EKG Pro	110 à environ 120 V / 1000 à 1200 W / 50 à 60 Hz Poids : 1250 g (socle de la bouilloire compris) Dimensions (L x l x H) : 1282 mm (11,10 po) x 172 mm (6,77 po) x 196 mm (7,7 po) Capacité : 30 oz (0,9 l) Longueur du cordon : 76,2 cm (2,5 pi)

Nom du produit : Bouilloire électrique à col de cygne Stagg EKG Pro Édition Studio | Brevets américains en instance Garantie limitée d'un (1) an | Conçue à San Francisco, fabriquée en Chine

MODÈLE	CARACTÉRISTIQUES TECHNIQUES
EPS0AAUS EKG Pro Studio Edition	110 à environ 120 V / 1000 à 1200 W / 50 à 60 Hz Poids : 1400 g (socle de la bouilloire compris) Dimensions (L x l x H) : 282 mm (11,10 po) x 172 mm (6,77 po) x 196 mm (7,7 po) Capacité : 30 oz (0,9 l) Longueur du cordon : 76,2 cm (2,5 pi)

DESTINATION DU PRODUIT

É.-U. ET CANADA : POUR UN USAGE MÉNAGER ET COMMERCIAL

Pour en savoir plus : Fellowproducts.com/staggekgpromanual

LIRE ET SUIVRE TOUTES LES INSTRUCTIONS. CONSERVER CE MANUEL SUR LA SÉCURITÉ ET L'ENTRETIEN AUX FINS DE CONSULTATION ULTÉRIEURE.

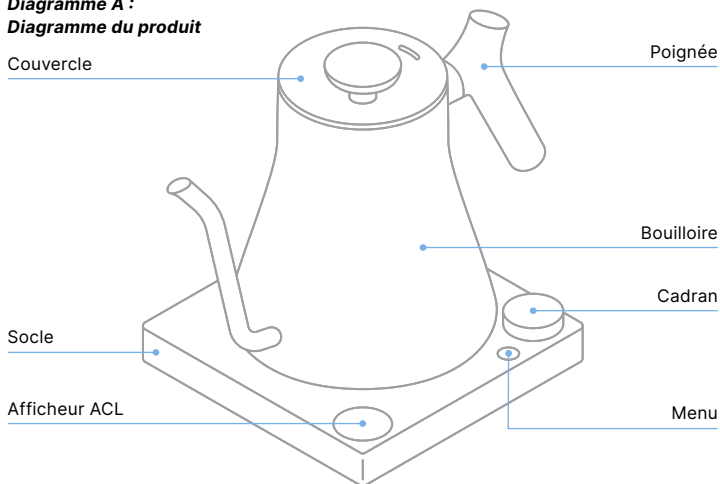
ATTENTION!

Danger de choc électrique : Cet appareil est muni d'une fiche à trois broches avec terre. Pour assurer la protection contre le risque de choc électrique ou d'incendie, l'appareil doit être branché uniquement à une prise correctement mise à la terre. La fiche ne s'engage que dans un sens dans la prise. Ne pas compromettre la fonction de sécurité de la fiche en la modifiant de quelque façon que ce soit ou en utilisant un adaptateur. Ne pas brancher cet appareil dans une prise dont la tension est différente de celle qui est spécifiée sur la base de cet appareil.

Ne pas utiliser d'adaptateur avec cet appareil.

Le cordon d'alimentation qui est fourni est court pour réduire le risque d'étranglement ou de trébuchement que présente un cordon plus long. Pour éviter une surcharge du circuit électrique, ne pas utiliser d'appareil de puissance élevée sur le même circuit que cet appareil.

Diagramme A :
Diagramme du produit



MESURES DE PROTECTION IMPORTANTES

Avant d'utiliser le produit, lire attentivement les consignes de sécurité, puis utiliser le produit (diagramme A) correctement. Ces consignes de sécurité sont fournies pour assurer une utilisation sûre et appropriée du produit afin de ne pas exposer l'utilisateur ni personne d'autre à des dangers ou endommager des biens.

Lors de l'utilisation d'appareils électriques, les mesures de sécurité élémentaires devraient toujours être respectées, et les considérations suivantes devaient être prises en compte :

- Le socle électrique de l'appareil Stagg EKG Pro est de petite taille et le corps de la bouilloire ressemble étonnamment à notre bouilloire pour cuisinière, mais attention, il s'agit de deux modèles distincts! Ce modèle-ci est une bouilloire électrique qui NE PEUT PAS être utilisée sur une cuisinière.
- Ne pas la placer sur un brûleur à gaz ou un brûleur électrique chaud, ou à proximité ni dans un four chaud ou un four micro-ondes.
- Ne pas toucher les surfaces du produit lorsqu'elles sont chaudes. Toujours utiliser la poignée.
- Pour assurer la protection contre le feu, les chocs électriques et ne blesser personne, ne pas immerger le cordon, la fiche ou aucune autre partie de la bouilloire, ni le socle, dans de l'eau ou autre liquide.
- Aucune partie de la bouilloire Stagg EKG Pro n'est lavable en machine. Ne pas mettre la bouilloire Stagg EKG Pro ni aucune de ses parties dans le lave-vaisselle. Ne jamais laisser la Stagg EKG Pro sans surveillance alors qu'elle est en fonctionnement ou en mode de veille.
- Ne jamais laisser la Stagg EKG Pro sans surveillance alors qu'elle est en fonctionnement ou en mode de veille.
- Une surveillance étroite doit être exercée lorsque la bouilloire est utilisée par des enfants ou proximité d'enfants. Ne pas l'utiliser à portée des enfants.
- Cet appareil n'est pas conçu pour être utilisé par des personnes (y compris par des enfants) ayant un handicap physique, mental ou sensoriel, ou par des personnes qui n'en ont pas l'expérience ou qui ne connaissent pas ce type de produit.
- Les enfants doivent être surveillés afin de s'assurer qu'ils ne jouent pas avec la bouilloire.

MESURE DE PROTECTION IMPORTANTES (SUITE)

- La débrancher de la prise lorsqu'elle n'est pas utilisée pendant des périodes prolongées et avant de la nettoyer.
- Laisser refroidir la bouilloire avant d'en détacher ou d'y rattacher les différentes parties et de la nettoyer.
- Pour débrancher la bouilloire de la source d'alimentation électrique, appuyer sur le cadran pour éteindre la bouilloire; retirer ensuite la fiche de la prise. Ne pas tirer sur le cordon car cela pourrait l'endommager, voire causer un choc électrique.
- Ne pas faire fonctionner la Stagg EKG Pro si le cordon ou la fiche sont endommagés, si la bouilloire ne fonctionne pas correctement ou si elle a été endommagée de quelque façon que ce soit. Retourner la bouilloire au centre de service après-vente autorisé le plus proche pour la faire examiner, réparer ou régler.
- S'assurer que la tension d'alimentation principale est la même que celle qui est marquée sur la base de la bouilloire.
- Pour éviter une surcharge électrique, ne pas utiliser d'appareil de puissance élevée sur le même circuit.
- L'utilisation d'accessoires non recommandés par Fellow pourrait entraîner des risques d'incendie, de choc électrique ou de blessure personnelle.
- Ne pas utiliser l'appareil à l'extérieur.
- Ne placer aucun ustensile dans la bouilloire.
- Après le déballage de la bouilloire, jeter tous les sacs en plastique afin de s'assurer qu'ils sont hors de portée des enfants.

ATTENTION! POUR ÉVITER L'ÉBOULLANTAGE :

Ne jamais utiliser la bouilloire sans son couvercle.

Ne pas retirer le couvercle alors que de l'eau bout dans la bouilloire.

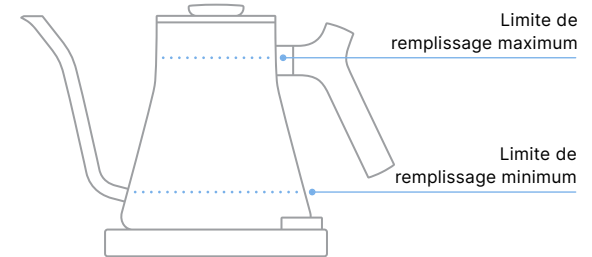
Un ébullantage peut se produire si le couvercle est enlevé pendant le processus de chauffage ou d'infusion. Attention à la vapeur émise par le bec ou le couvercle, tout particulièrement pendant le remplissage.

L'eau peut demeurer très chaude pendant un long moment après l'ébullition et présenter un danger d'ébullantage. Maintenir la bouilloire et son socle éloignés du bord du plan de travail et hors de portée des enfants. Ne pas retirer le couvercle tant que la bouilloire n'a pas refroidi.

AVERTISSEMENT : Ne pas remplir la bouilloire au-dessus de la limite de remplissage maximum.

Si la bouilloire est trop remplie, de l'eau très chaude pourrait s'en échapper et accroître le risque d'ébullantage. Voir le *diagramme B* ci-dessous aux fins de référence. Nous recommandons de n'utiliser que la quantité d'eau nécessaire afin d'économiser l'eau et l'énergie.

Diagramme B :
Limites de remplissage



AVERTISSEMENT : Ne pas faire fonctionner la bouilloire vide ou au-dessous de la limite de remplissage minimum.

La bouilloire Stagg EKG Pro doit contenir un minimum de 333 ml (11 onces liquides) pour fonctionner. L'assèchement de la bouilloire peut causer des dommages irréparables et un risque d'incendie. La limite de remplissage minimum est à 2,54 cm (1 po) au-dessus de la base de la bouilloire. Voir le *diagramme B* ci-dessus aux fins de référence.

MESURE DE PROTECTION IMPORTANTES

(SUITE)

- Ne pas laisser pendre le cordon par-dessus le rebord d'un plan de travail ou d'une table, ni entrer en contact avec des surfaces chaudes. Ne pas utiliser de rallonge.
- Retirer la bouilloire de son socle avant de la remplir. Retirer toute l'humidité de la base de la bouilloire avant de la placer sur son socle.
- La bouilloire doit être utilisée sur une surface plane à l'écart du bord d'un plan de travail pour éviter qu'elle se renverse.
- Ne jamais déplacer la bouilloire et son socle ensemble alors qu'elle est en fonctionnement.
- Pour éviter les brûlures et les risques de blessure, faire preuve d'une extrême prudence lors du transport de la bouilloire alors remplie d'eau chaude.
- Ne pas utiliser la bouilloire avec les mains mouillées.
- Placer la bouilloire correctement sur le socle avant de l'allumer.
- Après avoir utilisé la bouilloire, patienter jusqu'à ce qu'elle refroidisse avant de retirer le couvercle. Pour éviter des dommages potentiels causés par la vapeur, tourner le bec à l'écart des murs et des armoires durant le fonctionnement.
- Si le corps de la bouilloire repose sur une table, placer un coussinet de protection sous la bouilloire après qu'elle a chauffé pour éviter d'endommager le dessus de la table.
- Pour réduire le risque d'incendie ou de choc électrique, ne pas retirer le couvercle du socle, ou ne pas démonter le socle ou la bouilloire de quelque façon que ce soit. Il n'y a aucune pièce réparable à l'intérieur. Les réparations devraient être effectuées uniquement par du personnel de service après-vente autorisé. L'ouverture du socle ou le démontage de la bouilloire entraînera la résiliation de la garantie d'un an.
- Ne pas utiliser la bouilloire en présence d'explosifs ou d'émanations inflammables.
- Ne pas utiliser la bouilloire à d'autres fins que celle pour laquelle elle a été conçue. Cet appareil est uniquement destiné à un usage ménager et commercial. Son utilisation à une autre fin annulera la garantie d'un an.

IMPORTANT!

N'utiliser la bouilloire qu'avec le socle fourni par Fellow. N'utiliser aucune autre bouilloire sur le socle fourni, ou aucun autre socle avec la bouilloire fournie, sauf si cela a été expressément approuvé et conseillé par Fellow.

Le socle et la bouilloire Stagg EKG Pro ne sont pas compatibles avec le socle ou la bouilloire des produits suivants : Stagg EKG, Stagg EKG+, Corvo EKG, ou la bouilloire Stagg à col de cygne.

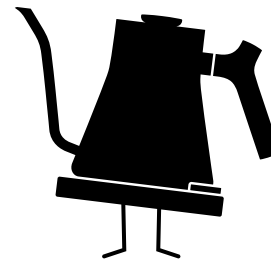
FICHE AVEC TERRE

Cet appareil est muni d'une fiche à trois broches avec terre et doit être mise à la terre avec une prise à trois broches lorsqu'elle est utilisée. Pour assurer la protection contre le risque de choc électrique ou d'incendie, l'appareil doit être branché uniquement à une prise correctement mise à la terre. Ne pas essayer de contourner cette fonction de sécurité.

NE PAS FAIRE CHAUFFER UNE BOUILLOIRE VIDE

L'élément chauffant dissimulé dans la base du corps de la bouilloire est protégé par un dispositif de sécurité automatique. Si la bouilloire est chauffée accidentellement sans être remplie ou si on la laisse bouillir à sec, elle se refroidira automatiquement puis s'éteindra. Si cela se produit, débrancher la bouilloire, la remplir d'eau froide et patienter quelques minutes avant de la remettre sur le socle et de la brancher.

CONSERVER CES
INSTRUCTIONS

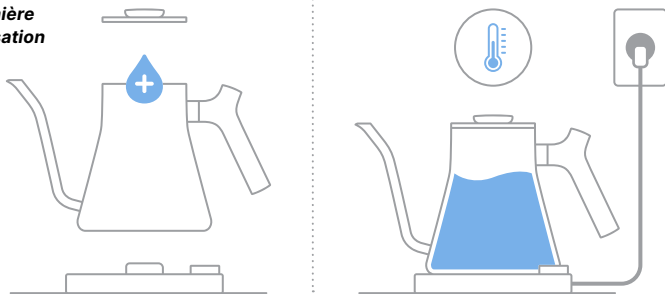


PREMIÈRE UTILISATION

NETTOYAGE – PREMIÈRE UTILISATION

1. Placer le socle de la Stagg EKG Pro sur une surface plate et de niveau.
2. Soulever la bouilloire de son socle et retirer le couvercle pour la remplir d'eau. (Ne pas retirer le couvercle s'il est chaud.)
3. Rincer l'intérieur de la bouilloire et la remplir environ à moitié (à l'intérieur des limites de remplissage minimum et maximum illustrées au *diagramme B*).
4. Après avoir ajouté de l'eau, insérer le couvercle et s'assurer que le bec n'est pas proche d'un mur ou d'une armoire ou n'y fait pas face.
5. En suivant les consignes de sécurité, brancher le cordon d'alimentation électrique dans la prise.
6. Régler la température cible (voir le *Tableau des températures en haute altitude*) pour faire bouillir l'eau.
7. Une fois que la température cible (voir le *Tableau des températures en haute altitude*) est atteinte, continuer à faire bouillir l'eau pendant environ une minute. Éteindre la bouilloire en appuyant sur le cadran. L'écran à cristaux liquides devient noir.
8. Jeter l'eau qui se trouve à l'intérieur de la bouilloire. Cette eau ne devrait pas être utilisée. La bouilloire Stagg EKG Pro est maintenant prête à être utilisée.

Diagramme C :
Première
Utilisation



NETTOYAGE

Avant de la nettoyer, s'assurer que le socle est débranché et que la bouilloire a complètement refroidi. Vider toute l'eau restante de la bouilloire.

ATTENTION : Ne jamais immerger la bouilloire dans de l'eau ou n'importe quel autre liquide. Cela pourrait endommager la bouilloire de façon permanente.

Ne placer aucune partie de la bouilloire dans le lave-vaisselle.

Essuyer l'extérieur de la bouilloire et le socle avec un chiffon humide ou une éponge, puis sécher. Ne pas utiliser de savon ou de produits nettoyants abrasifs ni de tampons à récurer sur une quelconque partie de la bouilloire car cela endommagerait le fini.

Cela pourrait être dû aux dépôts de tartre et de minéraux qui peuvent s'accumuler à l'intérieur de la bouilloire en fonction de l'utilisation et de la dureté de l'eau dans la région de l'utilisateur. Lorsque cela se produit, utiliser un produit antitartre ou pour la chaux en suivant les instructions du fabricant de ces produits.

ENTREPOSAGE

Nettoyer et sécher toutes les parties de la bouilloire avant de l'entreposer. Entreposer la bouilloire dans sa boîte ou dans un endroit propre et sec.

Ne jamais enrouler le cordon d'alimentation électrique autour de la bouilloire.

UTILISATION

Lire le présent manuel « Sécurité et entretien » dans son intégralité avant d'allumer la bouilloire.

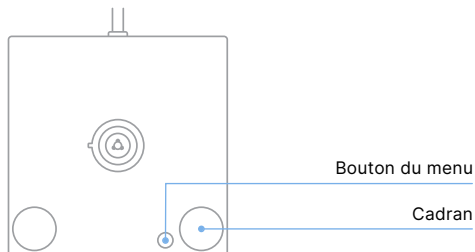
CONNECTER LA STAGG EKG PRO AU RÉSEAU WI-FI

L'application Fellow est requise pour la connectivité. La Stagg EKG Pro ne se connecte pas automatiquement au réseau Wi-Fi.

1. Téléchargez l'application Fellow sur votre téléphone à l'adresse **Fellowproducts.com/app**.
2. Assurez-vous que la Stagg EKG Pro est branchée à une prise de courant.
3. Assurez-vous que la Stagg EKG Pro se trouve dans une zone bien desservie par le réseau Wi-Fi.
4. Vous devez connaître le nom de votre réseau Wi-Fi et le mot de passe pour y accéder.
5. Ouvrez l'application Fellow et suivez les instructions dans l'application pour établir la connexion.
6. Vous pouvez maintenant contrôler votre Stagg EKG Pro à partir de l'application.
7. Pour plus d'informations ou si vous éprouvez des problèmes avec votre connexion WiFi, veuillez consulter la page **Fellowproducts.com/staggekgpromanual**.

IMPORTANT : Maintenir la connexion de la Stagg EKG Pro au réseau Wi-Fi permet de s'assurer que le micrologiciel de la bouilloire est à jour!

Diagramme C :
Allumer/éteindre,
accès au menu



ALLUMER OU ÉTEINDRE LA BOUILLIOIRE

Pour allumer la Stagg EKG Pro, appuyer sur le bouton du menu OU sur le cadran, et patienter jusqu'à ce que l'écran s'allume. Pour éteindre la Stagg EKG Pro, appuyer sur le cadran jusqu'à ce que l'écran devienne noir.

RÉGLER LA TEMPÉRATURE VOULUE

De l'écran principal, alors que la Stagg EKG Pro est sous tension, tournez le cadran pour changer la température cible. Tournez le cadran dans le sens des aiguilles d'une montre pour augmenter la température cible. Tournez le cadran dans le sens contraire des aiguilles d'une montre pour baisser la température cible.

Lorsque vous avez atteint la température cible, arrêtez de tourner le cadran. La Stagg EKG Pro affichera la température réglée pendant un instant, puis se mettra à chauffer jusqu'à ce qu'elle soit atteinte. Si la bouilloire est retirée puis replacée sur la base, elle commence à chauffer tout de suite à votre température cible.

IMPORTANT : Si la fonction Pre-Boil est activée, la bouilloire commence à chauffer au point d'ébullition avant de refroidir au niveau de votre température cible.

ACCÈS AU MENU

La Stagg EKG Pro est munie de plusieurs outils d'infusion. Pour accéder au menu :

1. Appuyer sur le cadran pour allumer la bouilloire et commencer à chauffer l'eau. L'écran à cristaux liquides s'allume.
2. Appuyez sur le bouton du menu pour naviguer jusqu'au menu principal.
3. Du menu principal, faire tourner le cadran dans le sens des aiguilles d'une montre ou inversement pour naviguer parmi les options de menu disponibles. Appuyez sur le cadran pour entrer ou valider un choix.
4. Appuyez sur le bouton du menu pour quitter le menu.
5. Appuyez sur le cadran pour éteindre la bouilloire. L'écran à cristaux liquides devient noir.

Pour obtenir plus de détails sur le menu, consulter **Fellowproducts.com/staggekgpromanual** ou numériser le code QR suivant.



UTILISATION EN HAUTE ALTITUDE

ATTENTION : En plus haute altitude, l'eau bout à des températures plus basses (voir le *Tableau des températures en haute altitude ci-dessous*). Si, à une certaine altitude, la température réglée est plus élevée que le point d'ébullition de l'eau, la Stagg EKG Pro continuera à générer de la chaleur pour essayer d'atteindre la température cible. Cela augmente la consommation d'énergie et peut endommager la bouilloire.

À l'aide du réglage **Altitude**, la Stagg EKG Pro déterminera la température cible maximale qui est atteignable à l'altitude saisie par l'utilisateur, afin d'atténuer le gaspillage d'énergie et le risque d'endommagement de la bouilloire.

TABLEAU DES TEMPÉRATURES EN HAUTE ALTITUDE

Altitude, m (pi)	Point d'ébullition de l'eau, °C (°F)
0 m (0 pi)	100 °C (212 °F)
150 m (500 pi)	99,5 °C (211,1 °F)
305 m (1 000 pi)	99 °C (210,2 °F)
610 m (2 000 pi)	98 °C (208,4 °F)
1 524 m (5 000 pi)	95 °C (203 °F)
1 829 m (6 000 pi)	94 °C (201,1 °F)
2 438 m (8 000 pi)	91,9 °C (197,4 °F)
3 048 m (10 000 pi)	89,8 °C (193,6 °F)
3 658 m (12 000 pi)	87,6 °C (189,8 °F)
4 267 m (14 000 pi)	85,5 °C (185,9 °F)

SERVICE À LA CLIENTÈLE

Pour le service après-vente ou toute question sur l'appareil, consulter tout d'abord **Fellowproducts.com/staggekgpromanual**. Si des questions subsistent, communiquer avec nous à **Help.fellowproducts.com**.

Ne PAS retourner le produit au fabricant par la poste ni l'apporter dans un centre de service après-vente sans avoir parlé au préalable à un représentant du service à la clientèle de Fellow.

GARANTIE LIMITÉE D'UN (1) AN

Fellow garantit ce produit contre tout défaut de matériel ou de fabrication, pendant une période d'un an à partir de la date initiale d'achat par le consommateur.

Cette garantie est valide pour :

- le consommateur d'origine;
- les bouilloires achetées auprès des distributeurs autorisés;
- les bouilloires accompagnées du reçu original prouvant l'achat.

Cette garantie ne couvre pas les dommages du produit résultant des événements suivants :

- accident, utilisation inappropriée ou réparations effectuées par du personnel non autorisé;
- utilisation avec le type inadéquat de courant ou de tension;
- non-respect des instructions relatives au nettoyage de la bouilloire ou des recommandations sur les produits de nettoyage et antitartre;
- non-respect d'une quelconque consigne de sécurité citée dans les avertissements et les instructions contenus dans ce document.

Si le produit devient défectueux pendant la période de garantie ou pour toute question sur la garantie ou le service après-vente, envoyez-nous un courriel à **hello@fellowproducts.com**.

Pour de plus amples renseignements :
Fellowproducts.com/staggekgpromanual

IMPORTANTE: Lea este manual antes de usar este hervidor por primera vez. Conserve este manual por si usted o nuevos usuarios necesitan consultarlo más adelante en el futuro.

Este manual es válido para los siguientes dispositivos Fellow:appliances:

DISPOSITIVO	MODELO	
Stagg EKG Pro	EP20AAUS	Stagg EKG Pro
	EPS0AAUS	Stagg EKG Pro Studio Edition



Estados Unidos y Canadá: uso doméstico y comercial

Declaraciones de conformidad de la FCC de EE. UU. e ISED de Canadá: Este dispositivo cumple con el apartado 15 de las normas de la FCC de los EE. UU. y la especificación RSS-210 de Innovación, Ciencia y Desarrollo Económico de Canadá. El funcionamiento está sujeto a las siguientes dos condiciones: (1) Este dispositivo no puede ocasionar interferencias perjudiciales y (2) este dispositivo debe aceptar todas las interferencias recibidas, incluidas aquellas que puedan provocar un funcionamiento no deseado. Contiene el transmisor FCC ID: 2AC7Z- ESP32WROVERE IC ID: 21098-ESP32WROVER.

ADVERTENCIA: Los cambios o modificaciones realizados en esta unidad sin la aprobación expresa de la parte responsable de la conformidad del producto podrían anular la autoridad del usuario para operar el equipo.

NOTA: Luego de haberlo probado, se ha determinado que este equipo cumple con los límites establecidos para dispositivos digitales de Clase B, de conformidad con el apartado 15 de las normas de la FCC. Estos límites están diseñados para proporcionar una protección razonable contra interferencias perjudiciales en una instalación residencial. Este equipo genera, utiliza y puede irradiar energía de radiofrecuencia y, si no se instala y utiliza de acuerdo con las instrucciones, puede ocasionar interferencias perjudiciales en las comunicaciones por radio. Sin embargo, no existe garantía de que estas no se produzcan en una instalación en particular. Si este equipo produce interferencias perjudiciales en la recepción de radio o televisión, lo cual puede determinarse apagando y encendiendo el equipo, se recomienda al usuario que intente corregir la interferencia tomando una o más de las siguientes medidas:

- Modificar la orientación o ubicación de la antena de recepción.
- Aumentar la separación entre el equipo y el receptor.
- Conectar el equipo a una toma de corriente en un circuito diferente al que está conectado el receptor.
- Consulte al distribuidor o a un técnico de radio/televisión experimentado para obtener ayuda.
- Este aparato digital clase B cumple con la especificación ICES-003 de Canadá. CAN ICES-3 (B)/NMB-3(B)

STAGG EKG PRO

Fellow Industries Inc.

Fellowproducts.com

Correo electrónico: hello@fellowproducts.com

San Francisco, CA 94110

Nombre del producto: Hervidor eléctrico de carga manual superior Stagg EKG Pro | Patentes estadounidenses pendientes y garantía limitada de 1 año | Diseñado en San Francisco, hecho en China

MODELO	ESPECIFICACIONES
EP20AAUS EKG Pro	110-120 V~ / 1000-1200 W / 50-60 Hz Peso: 1250 g (incluye la base del hervidor) Dimensiones (LxAnxAI): 11,10 in (282 mm) x 6,77 in (172 mm) x 7,7 in (196 mm) Capacidad: 30 oz (0,9 L) Longitud del cable: 2,5 ft (76,2 cm)

Nombre del producto: Hervidor eléctrico de carga manual superior Stagg EKG Pro Studio Edition | Patentes estadounidenses pendientes y garantía limitada de 1 año | Diseñado en San Francisco, hecho en China

MODELO	ESPECIFICACIONES
EPS0AAUS EKG Pro Studio Edition	110-120 V~ / 1000-1200 W / 50-60 Hz Peso: 1400 g (incluye la base del hervidor) Dimensiones (LxAnxAI): 11,10 in (282 mm) x 6,77 in (172 mm) x 7,7 in (196 mm) Capacidad: 30 oz (0,9 L) Longitud del cable: 2,5 ft (76,2 cm)

ESTE PRODUCTO ES PARA ESTADOS UNIDOS Y CANADÁ: USO DOMÉSTICO Y COMERCIAL

Más información en [Fellowproducts.com/stagggekpgromanual](https://fellowproducts.com/stagggekpgromanual)

LEA Y SIGA TODAS LAS INSTRUCCIONES. CONSERVE ESTE MANUAL DE SEGURIDAD Y MANTENIMIENTO PARA CONSULTAS FUTURAS.

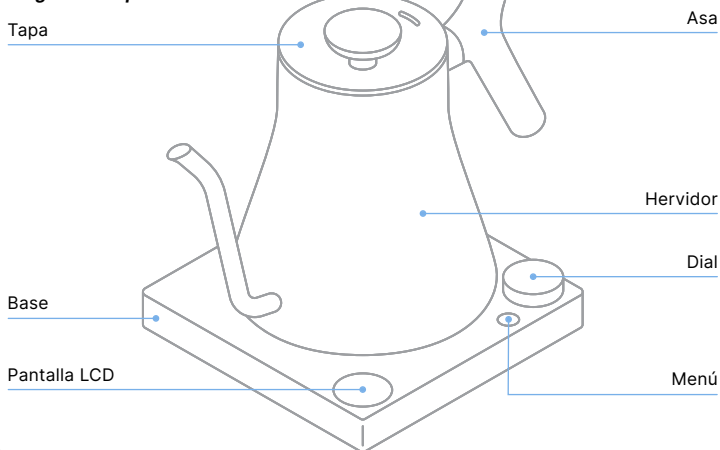
ADVERTENCIA

Riesgo de descarga eléctrica: Este electrodoméstico tiene un enchufe de tres clavijas con conexión a tierra. Para garantizar la protección contra el riesgo de descarga eléctrica o incendio, conéctelo únicamente a tomas de corriente adecuadamente conectadas a tierra. El enchufe solo se conecta de una manera en una toma de corriente. No anule el propósito de seguridad del enchufe modificando el enchufe de ninguna manera o utilizando un adaptador. No enchufe este aparato en una toma de corriente con un voltaje que no sea el especificado en la parte inferior de este aparato.

No utilice un adaptador con este aparato.

Se proporciona un cable de alimentación corto para reducir el riesgo de que el cable se enrede o de que el usuario se tropiece. Para evitar una sobrecarga del circuito eléctrico, no utilice ningún aparato de mucha potencia en el mismo circuito con este artefacto.

Diagrama A:
Diagrama del producto



MEDIDAS DE SEGURIDAD IMPORTANTES

Antes de usar, lea atentamente estas advertencias de seguridad y use el producto (*Diagrama A*) correctamente. Estas advertencias de seguridad están indicadas para el uso seguro y adecuado de este producto de modo que se eviten peligros para el usuario u otros y daños materiales.

Al utilizar aparatos eléctricos, siempre se deben seguir las precauciones básicas de seguridad, incluidas las siguientes:

- La base eléctrica del hervidor Stagg EKG Pro es pequeña y el cuerpo del hervidor es sorprendentemente similar a nuestro hervidor para cocina, pero no se equivoque, ¡no son lo mismo! Este es un hervidor eléctrico que NO SE PUEDE usar en una cocina
- No lo coloque sobre o cerca de un quemador de gas o eléctrico caliente, en un horno caliente o en un microondas.
- No toque las superficies calientes del producto. Utilice el asa en todo momento.
- Para protegerse contra incendios, descargas eléctricas y lesiones a personas, no sumerja el cable, enchufe o cualquier otra pieza del hervidor o la base en agua u otro líquido.
- Ninguna pieza del hervidor Stagg EKG Pro es apta para lavaplatos. No coloque el hervidor Stagg EKG Pro ni ninguna de sus piezas en el lavaplatos.
- Nunca deje el hervidor Stagg EKG Pro sin supervisión mientras esté en uso o en modo de espera.
- En caso de uso por parte de niños o cerca de ellos, se requiere estricta vigilancia. No lo use dentro del alcance de un niño.
- Este aparato no está diseñado para ser utilizado por personas (incluidos niños) con capacidades físicas, sensoriales o mentales reducidas o con falta de experiencia y conocimiento.
- Debe supervisarse a los niños para asegurarse de que no jueguen con el aparato.
- Desenchúfelo de la toma de corriente cuando no esté en uso durante períodos prolongados de tiempo y antes de limpiarlo.
- Deje que se enfríe antes de poner o quitar piezas y antes de limpiar el aparato.

MEDIDAS DE SEGURIDAD IMPORTANTES (CONT.)

- Para desconectarlo de la fuente de alimentación, presione el dial para apagar (OFF) y luego retire el enchufe de la toma de corriente. No jale del cable ya que puede dañarlo y eventualmente provocar una descarga eléctrica.
- No opere el hervidor Stagg EKG Pro con un cable o enchufe dañado, si el hervidor funciona mal o si el producto ha sufrido cualquier tipo de daño. Devuelva el aparato al centro de servicio autorizado más cercano para que lo examinen, reparen o realicen ajustes.
- Asegúrese de que el voltaje de alimentación principal sea el mismo que el marcado en la parte inferior del hervidor.
- Para evitar una sobrecarga eléctrica, no opere otro artefacto de mucha potencia en el mismo circuito.
- El uso de accesorios no recomendados por Fellow puede provocar incendios, descargas eléctricas o lesiones a las personas.
- No lo use al aire libre.
- No coloque ningún utensilio en el hervidor.
- Después de desempacar el hervidor, deseche todas las bolsas de plástico para asegurarse de que los niños u otros no puedan llegar a ellas. asegúrese de que los niños y otras personas no puedan alcanzarlas.

ADVERTENCIA PARA EVITAR QUEMADURAS:

Nunca use el hervidor sin la tapa.

No retire la tapa mientras el agua del hervidor está en ebullición.

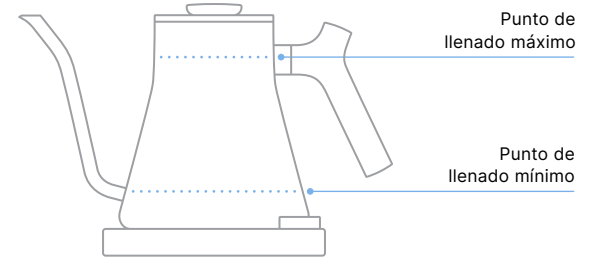
Se pueden producir quemaduras si se retira la tapa durante el proceso de calentamiento y preparación de infusiones. Tenga en cuenta que se emite vapor desde el pico o la tapa, especialmente durante el llenado.

El agua puede permanecer caliente durante mucho tiempo después de la ebullición y puede presentar un peligro de quemaduras. Mantenga el hervidor y la base del hervidor lejos del borde de la superficie de trabajo y fuera del alcance de los niños. No retire la tapa hasta que el hervidor se enfríe.

ADVERTENCIA: No llene por encima del punto de llenado máximo como se muestra en el diagrama a continuación.

Si el hervidor se llena en exceso, puede expulsar agua caliente y así aumentar el riesgo de quemaduras. Véase el *Diagrama B*, a continuación, como referencia. Sugerimos usar solo la cantidad de agua que necesita para ahorrar agua y energía.

Diagrama B:
Puntos de llenado



ADVERTENCIA: No opere en seco o por debajo del punto de llenado mínimo.

El hervidor Stagg EKG Pro debe tener un mínimo de 333 ml/11 fl oz para funcionar. La ebullición en seco del hervidor puede provocar daños permanentes en el hervidor y un posible incendio. El punto de llenado mínimo es de 1 pulgada (2,54 cm) por encima del piso del hervidor. Véase el *Diagrama B*, más arriba, para referencia.

MEDIDAS DE SEGURIDAD IMPORTANTES (CONT.)

- No deje que el cable cuelgue del borde de la mesa o mostrador ni que esté en contacto con superficies calientes. No use un alargador.
- Retire el hervidor de la base antes de llenar. Retire toda la humedad en la parte inferior del hervidor antes de colocarlo nuevamente en la base.
- El hervidor debe funcionar sobre una superficie plana lejos del borde del mostrador para evitar que se vuelque accidentalmente.
- Nunca mueva el hervidor y la base del hervidor juntos mientras la unidad está en uso.
- Para evitar quemaduras y el riesgo de lesiones físicas, tenga extrema precaución al trasladar el hervidor con agua caliente en su interior.
- No use el hervidor si tiene las manos mojadas.
- Coloque el hervidor correctamente en la base del hervidor antes de encenderlo.
- Después de usar el hervidor, espere hasta que el hervidor se haya enfriado antes de retirar la tapa. Para evitar posibles daños con el vapor, aleje el pico de paredes o armarios durante el uso.
- Si coloca el cuerpo del hervidor sobre la superficie de una mesa, use una almohadilla protectora debajo del hervidor después de que se haya calentado para evitar daños en las superficies.
- Para reducir el riesgo de incendio o descarga eléctrica, no retire la cubierta inferior de la base ni desmonte la base o el hervidor de ninguna manera. No hay piezas que puedan ser reparadas por el usuario en el interior. La reparación debe estar únicamente a cargo de personal de servicio autorizado. La apertura de la base o del hervidor provocará la anulación de la garantía de un año.
- No opere en presencia de humos explosivos y/o inflamables.
- No use el hervidor para fines distintos de los previstos. Este aparato está diseñado únicamente para uso doméstico y comercial. El uso para cualquier otro fin que no sea el previsto anulará la garantía de un año.

IMPORTANTE

Utilice el hervidor solo con la base del hervidor suministrada por Fellow. No use ningún otro hervidor con la base entregada o cualquier otra base con el hervidor entregado a menos que Fellow lo proporcione o aconseje específicamente.

La base y el hervidor de Stagg EKG Pro no son compatibles con la base o el hervidor de Stagg EKG, Stagg EKG+, Corvo EKG o el hervidor eléctrico de carga manual superior Stagg.

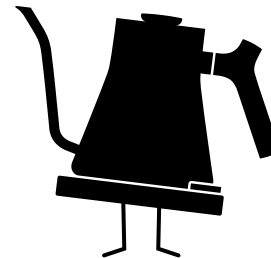
ENCHUFE CON CONEXIÓN A TIERRA

Este aparato tiene un enchufe de tres clavijas con conexión a tierra y debe conectarse a tierra con una toma de tres clavijas cuando esté en uso. Para garantizar la protección contra el riesgo de descarga eléctrica o incendio, conéctelo únicamente a tomas de corriente adecuadamente conectadas a tierra. No intente eludir esta función de seguridad.

NO CALENTAR UN HERVIDOR VACÍO

El elemento calentador oculto en la parte inferior del cuerpo del hervidor está protegido por un dispositivo de seguridad automático. Si el hervidor se calienta accidentalmente sin haberse llenado previamente o se deja hervir en seco, se enfriará automáticamente y luego se apagará. Si esto sucede, desenchufe el hervidor, llénelo con agua fría y espere unos minutos antes de volver a colocarlo en la base y enchufarlo.

**GUARDE ESTAS
INSTRUCCIONES**

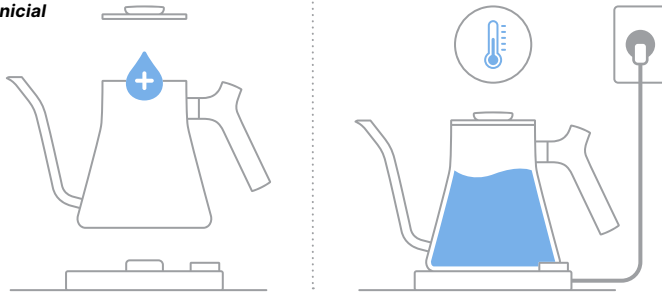


USO INICIAL

LIMPIEZA – PRIMER USO

1. Coloque la base y el hervidor Stagg EKG Pro en una superficie plana y nivelada.
2. Retire el hervidor de la base y retire la tapa para agregar agua. (No retire la tapa si está caliente.)
3. Enjuague el interior del hervidor, luego agregue agua al hervidor hasta aproximadamente la mitad (entre el punto de llenado mínimo y el punto de llenado máximo conforme se indica en el *Diagrama B*).
4. Después de agregar agua, inserte la tapa y asegúrese de que el pico no esté cerca y/o frente a una pared o armario.
5. Siguiendo las normas de seguridad, conecte el cable de alimentación a la toma de corriente.
6. Ajuste la temperatura objetivo (consulte la *Tabla de altitud*) para que hierva el agua.
7. Una vez alcanzada la temperatura objetivo (consulte la *Tabla de altitud*), continúe hirviendo el agua durante aproximadamente un minuto. Apague el hervidor con una pulsación rápida en el dial. La pantalla LCD se pondrá negra.
8. Deseche el agua que se encuentra dentro del hervidor. Esta agua no debe consumirse. El hervidor Stagg EKG Pro ya está listo para usar.

Diagrama C:
Uso inicial



LIMPIEZA

Antes de limpiar, asegúrese de que la base esté desenchufada y de que el hervidor se haya enfriado por completo. Vacíe el agua que queda en el hervidor.

PRECAUCIÓN: Nunca sumerja el hervidor en agua u otros líquidos. Esto podría provocar daños permanentes en el hervidor.

No coloque ninguna de las piezas del hervidor en el lavaplatos.

Limpie el exterior del hervidor y la base con un paño o esponja húmedos, luego seque. No use jabones, limpiadores o estropajos abrasivos en ninguna pieza del hervidor, ya que pueden dañar el acabado.

Esto puede deberse a la descamación y a los depósitos minerales que pueden acumularse en el interior del hervidor, según el uso que le da y la dureza del agua en su área. Cuando esto suceda, utilice un eliminador de sarro/cal siguiendo las instrucciones del fabricante del eliminador de sarro/cal.

ALMACENAMIENTO

Limpie y seque todas las piezas antes de guardarlas. Guarde el hervidor en la caja o en un lugar limpio y seco.

Nunca envuelva el cable de alimentación alrededor del hervidor.

MODO DE USO

Lea todo este manual de seguridad y mantenimiento antes de encender y usar el hervidor.

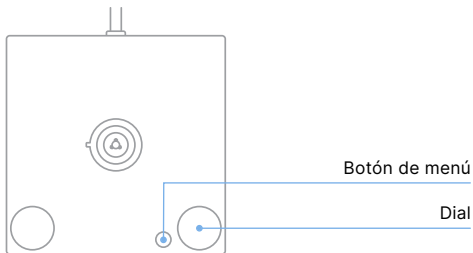
CONECTAR EL HERVIDOR STAGG EKG PRO A LA RED WIFI

Necesita la aplicación Fellow para conectarlo. El hervidor Stagg EKG Pro no se conecta automáticamente a la red wifi.

1. Descargue la aplicación Fellow en su teléfono en **Fellowproducts.com/app**.
2. Asegúrese de que el hervidor Stagg EKG Pro esté enchufado a una toma de corriente.
3. Asegúrese de que el hervidor Stagg EKG Pro esté en un área con buena cobertura de wifi. Conozca el nombre y la contraseña de su red wifi.
4. Debe saber el nombre y contraseña de su red wifi.
5. Abra la aplicación Fellow y siga las instrucciones en la aplicación para conectarse.
6. Puede controlar el hervidor Stagg EKG Pro desde la aplicación.
7. Para más información o para solucionar problemas de conexión a la red wifi, visite **Fellowproducts.com/stagekgpromanual**.

IMPORTANTE: Si mantiene el hervidor Stagg EKG Pro conectado a la red wifi, asegúrese de que el firmware de su hervidor esté siempre actualizado.

Diagrama C:
ON/OFF
(Encendido/apagado),
acceso al menú



ENCENDER/APAGAR EL HERVIDOR

Para encender el hervidor Stagg EKG Pro, pulse el botón de menú o el dial y espere a que la pantalla se ilumine. Para apagar el hervidor Stagg EKG Pro, presione el dial y espere a que la pantalla se ponga negra.

AJUSTAR LA TEMPERATURA OBJETIVO

Desde la pantalla principal, cuando el hervidor Stagg EKG Pro esté encendido, gire el dial para cambiar la temperatura objetivo. Gire el dial en el sentido de las agujas del reloj para aumentar la temperatura objetivo. Gire el dial en sentido contrario al de las agujas del reloj para reducir la temperatura objetivo.

Una vez que llegue a la temperatura deseada, deje de girar el dial. El hervidor Stagg EKG Pro mostrará la temperatura establecida por un momento y luego comenzará a calentar hasta la temperatura deseada. Si alguna vez se retira el hervidor y se vuelve a colocar en la base, el hervidor comenzará a calentarse a la temperatura objetivo de inmediato.

IMPORTANTE: Si la función Pre-Boil (Hervir previamente) está habilitada, el hervidor primero calentará hasta la ebullición y luego enfriará para alcanzar la temperatura objetivo.

ACCESO AL MENÚ

El hervidor Stagg EKG Pro tiene una gran cantidad de herramientas para hacer infusiones. Para ingresar al menú:

1. Presione el dial para encender el hervidor y comenzar a calentar el agua. La pantalla LCD se encenderá.
2. Pulse el botón de menú para navegar hasta el menú principal.
3. Una vez dentro del menú principal, gire el dial en el sentido de las agujas del reloj o en sentido contrario para navegar entre las opciones de menú disponibles. Presione el dial para ingresar o validar una opción.
4. Pulse el botón de menú para abandonar el menú.
5. Presione el dial para apagar el hervidor. La pantalla LCD se pondrá negra.



Para ver más detalles en el menú, visite **Fellowproducts.com/stagekgpromanual** o escanee este código QR.

USO A GRAN ALTITUD

PRECAUCIÓN: El agua hierve a temperaturas más bajas en altitudes más elevadas (consulte la *Tabla de altitud* a continuación). Si la temperatura establecida es mayor que el punto de ebullición del agua a una altitud determinada, el hervidor Stagg EKG Pro continuará proporcionando calor para intentar alcanzar la temperatura objetivo. Esto provoca un consumo excesivo de energía y daños potenciales al hervidor.

Usando la configuración de **Altitud**, el hervidor Stagg EKG Pro determinará la temperatura máxima permitida en función de la altitud ingresada por el usuario para mitigar el desperdicio de energía y el riesgo de daños al hervidor. desperdicio de energía y el riesgo de daños en la tetera.

TABLA DE ALTITUD

Altitud, ft (m)	Punto de ebullición del agua, °F (°C)
0 ft (0 m)	212 °F (100 °C)
500 ft (150 m)	211,1 °F (99,5 °C)
1000 ft (305 m)	210,2 °F (99 °C)
2000 ft (610 m)	208,4 °F (98 °C)
5000 ft (1524 m)	203 °F (95 °C)
6000 ft (1829 m)	201,1 °F (94 °C)
8000 ft (2438 m)	197,4 °F (91,9 °C)
10 000 ft (3048 m)	193,6 °F (89,8 °C)
12 000 ft (3658 m)	189,8 °F (87,6 °C)
14 000 ft (4267 m)	185,9 °F (85,5 °C)

SERVICIO

Para el servicio o cualquier pregunta relacionada con su aparato, visite primero **Fellowproducts.com/staggekgpromanual**. Si aún tiene preguntas, comuníquese con nosotros a **Help.fellowproducts.com**.

NO devuelva el producto por correo al fabricante ni lo lleve a un centro de servicio sin antes hablar con un representante de atención al cliente de Fellow.

GARANTÍA LIMITADA DE 1 AÑO

Fellow garantiza este producto contra cualquier falla que se deba a material o mano de obra defectuosos durante un año después de la fecha original de compra del consumidor.

Esta garantía es válida únicamente para:

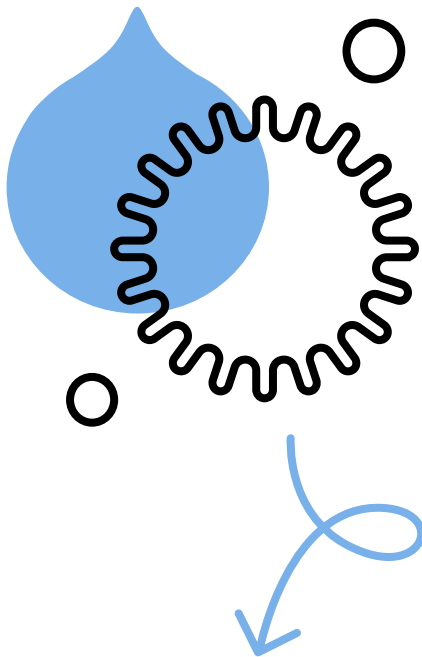
- El consumidor original.
- Hervidores comprados a través de minoristas autorizados.
- Hervidores con el recibo de venta original como constancia de la compra.

Esta garantía no incluye daños al producto como resultado de:

- Accidente, uso indebido o reparaciones realizadas por personal no autorizado.
- Funcionamiento con el tipo de corriente o voltaje incorrecto.
- No seguir las instrucciones de limpieza tanto para el hervidor como para los productos de limpieza o para quitar el sarro.
- Falta de cumplimiento de cualquiera de las medidas de seguridad indicadas en las advertencias e instrucciones de este documento.

Si el producto se vuelve defectuoso dentro del período de garantía o tiene preguntas sobre la garantía o el servicio, envíenos un correo electrónico a **hello@fellowproducts.com**

**Obtenga más información en:
Fellowproducts.com/staggekgpromanual**



Find more information at:
Pour de plus amples renseignements :
Encuentre más información en:

[Fellowproducts.com/stagekgpromanual](https://fellowproducts.com/stagekgpromanual)