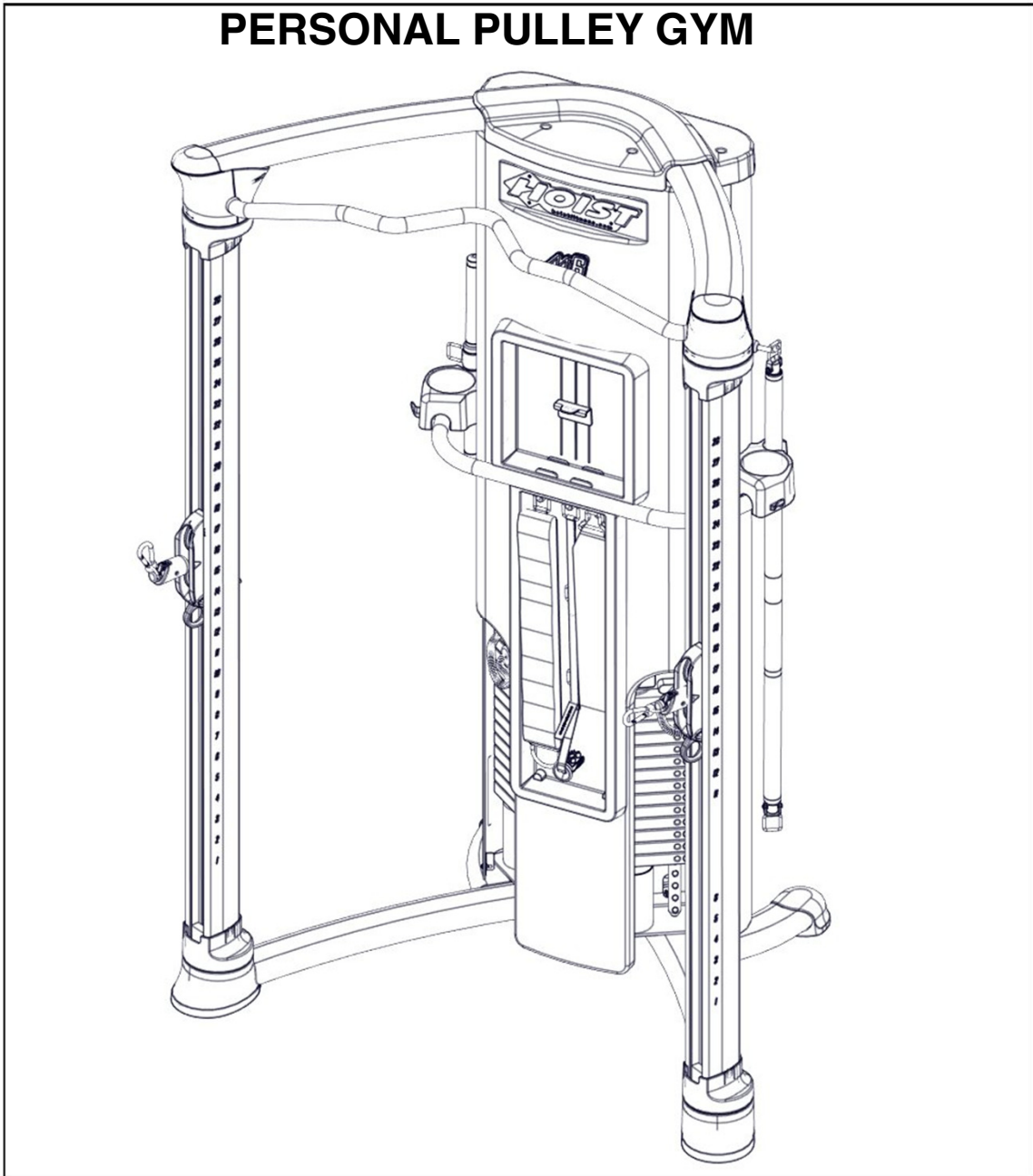


OWNER'S MANUAL



Mi6

PERSONAL PULLEY GYM



Note: Both Serial Number and Model Number are Required when Ordering Parts

RECORD SERIAL NUMBER HERE

MACHINE CODE

Customer Service

(800) 548-5438

(858) 578-7676

Fax

(858) 578-9558



www.facebook.com/hoistfitness

OWNER'S MANUAL

CONTENTS

INSTRUCTIONS.....	02
FRAME ASSEMBLY.....	04
TABLET/ PHONE MOUNT ASSEMBLY.....	44
ACCESSORIES.....	45
PRE-ASSEMBLY.....	47
DECAL PLACEMENT.....	52
DECAL REFERENCE.....	53
PART LIST.....	55
ABBREVIATIONS.....	59
BOLT SIZING CHART.....	60
WASHER SIZING CHART.....	61
MAINTANENCE SCHEDULE.....	63
GENERAL MAINTANENCE INFORMATION.....	64
WEIGHT TRAINING TIPS.....	65
WEIGHT RATIOS.....	66
EXERCISE LOG.....	67
LIMITED WARRANTY.....	68

OWNER'S MANUAL

INSTRUCTIONS

Before beginning assembly please take the time to read instructions thoroughly. Please use the various lists in this manual to make sure that all parts have been included in your shipment. When ordering, use part number and description from the lists. Use only HOIST replacement parts when servicing. Failure to do so will void your warranty and could result in personal injury.

HOIST equipment is designed to provide the smoothest, most effective exercise motion possible. After assembly, you should check all functions to ensure correct operation. If you experience problems, first recheck the assembly instructions to locate any possible errors made during assembly. If you are unable to correct the problem, call your authorized HOIST dealer. Be sure to have your serial number and this manual when calling. When all parts have been accounted for, continue on.

TOOLS REQUIRED

Ratchet Wrench

1/2", 9/16" and 3/4" Sockets

Adjustable Wrench

Rubber Mallet

Tape Measure

Level

SAE Hex Key Wrench Set

Two People

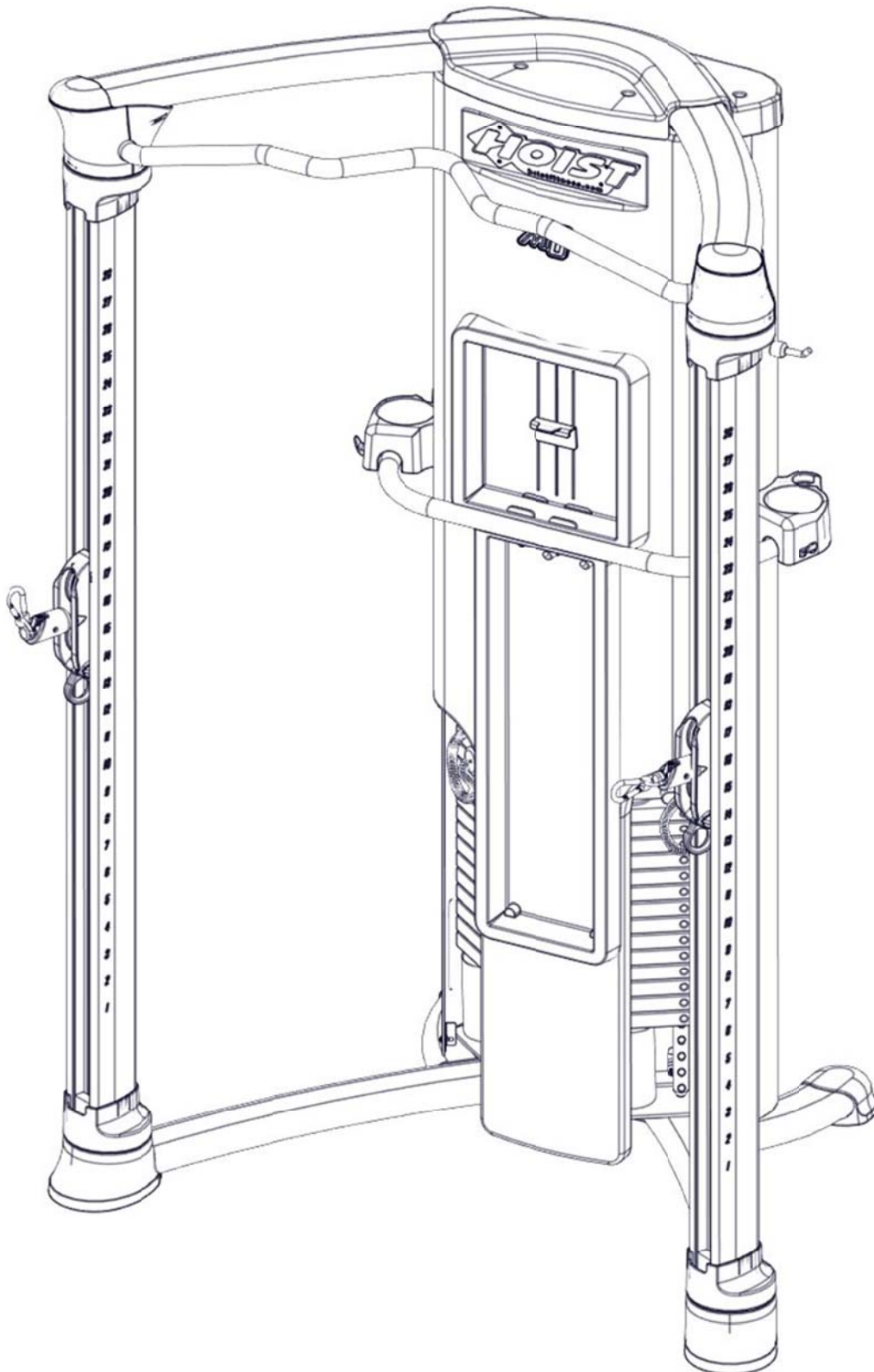
Phillips Head Screwdriver

OWNER'S MANUAL

THIS PAGE WAS INTENTIONALLY LEFT BLANK

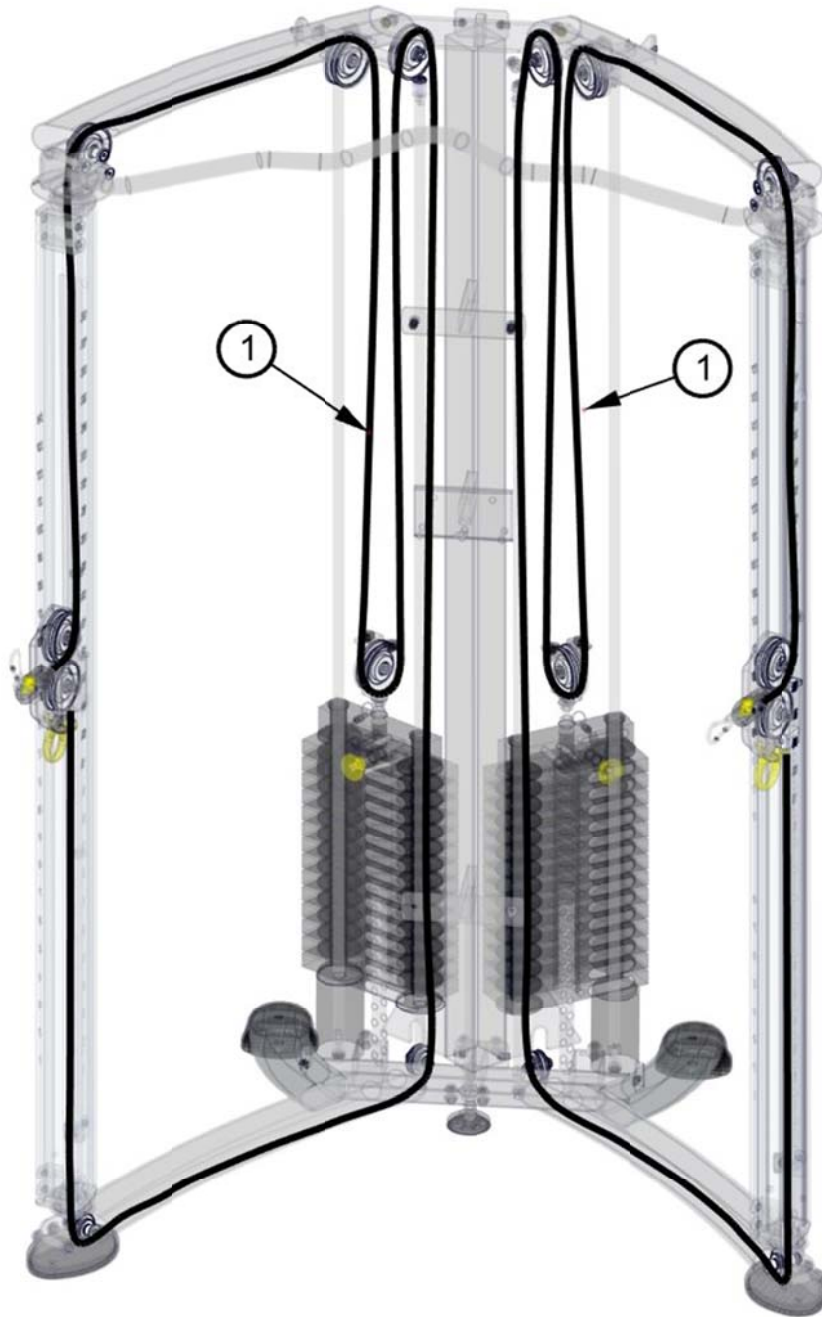
OWNER'S MANUAL

FRAME ASSEMBLY



OWNER'S MANUAL

FRAME ASSEMBLY CABLE PROFILE VIEW



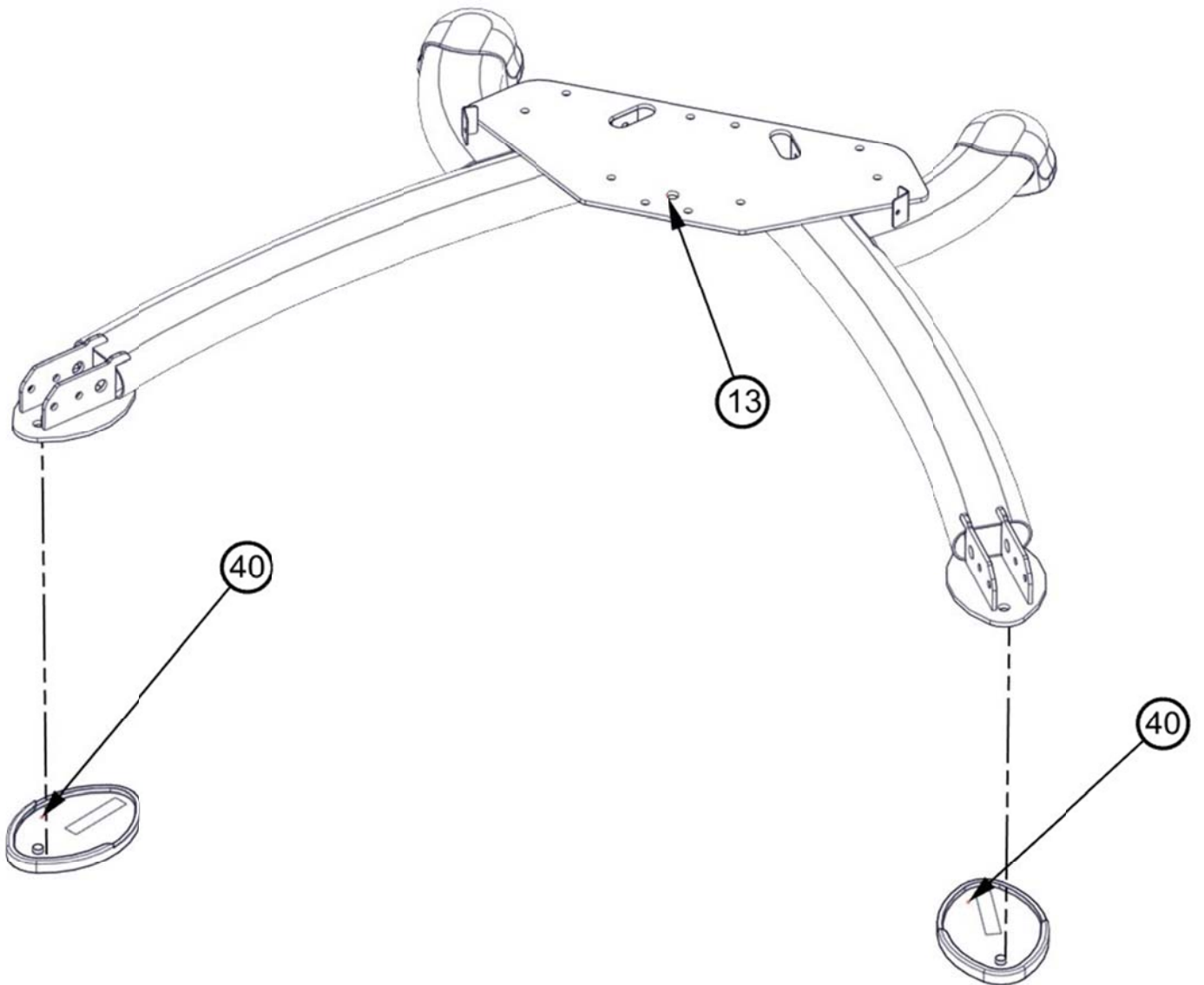
① X2

312 7/16" [7935.91]



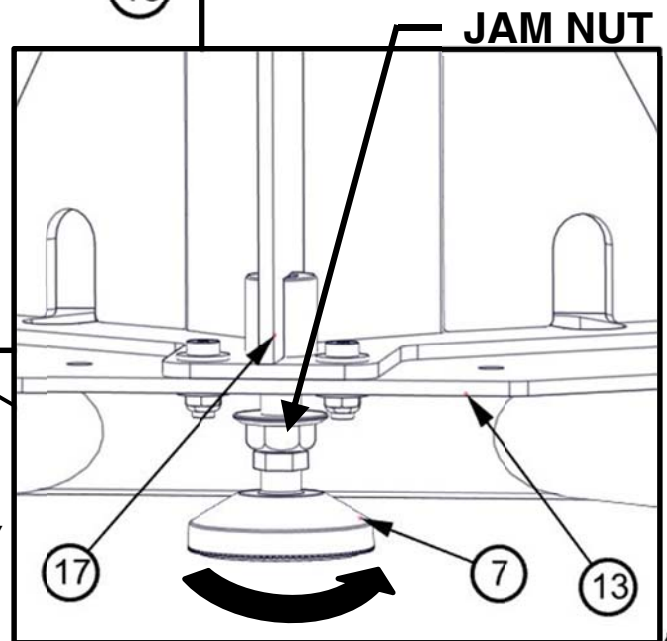
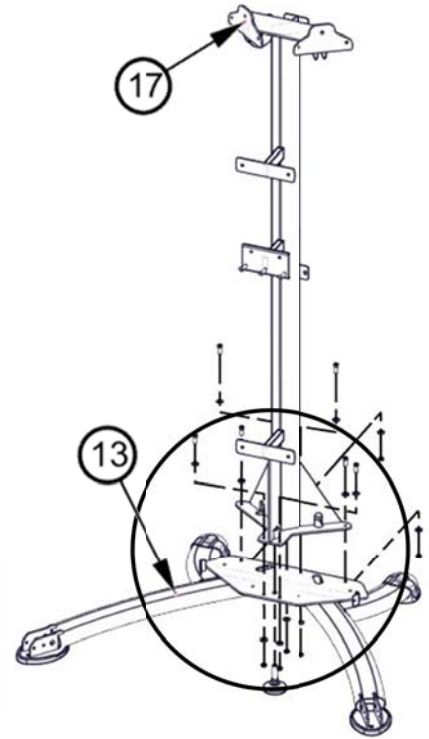
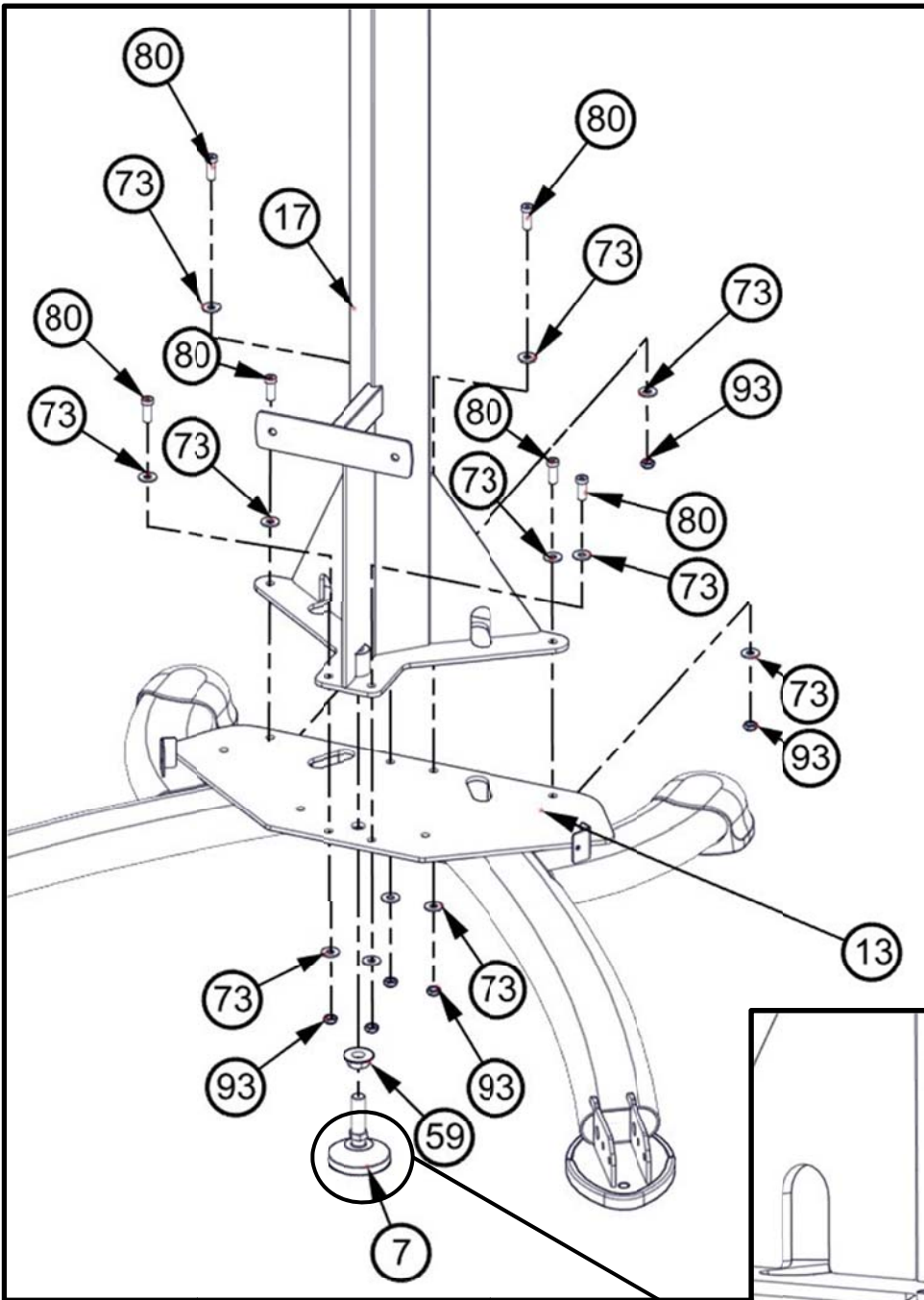
OWNER'S MANUAL

FRAME ASSEMBLY



OWNER'S MANUAL

FRAME ASSEMBLY

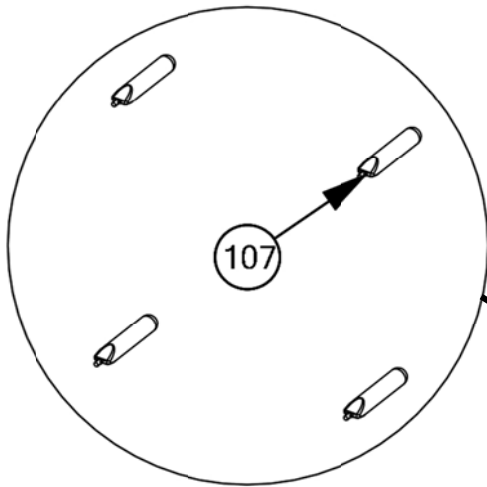


NOTE:
SCREW THE LEVELING
FOOT (7) IN ALL THE WAY
AND WRENCH TIGHTEN
JAM NUT

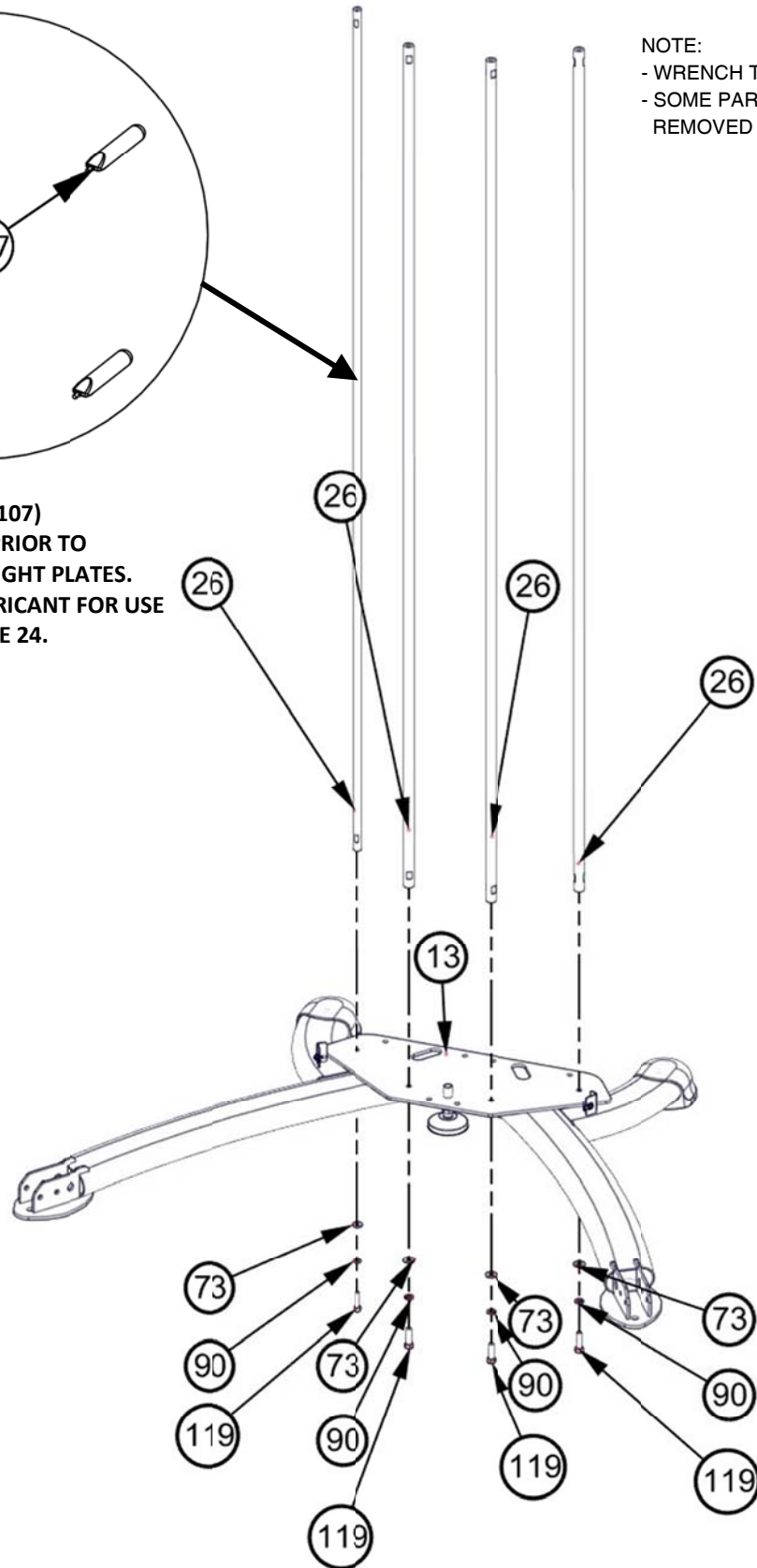
OWNER'S MANUAL

FRAME ASSEMBLY

NOTE:
- WRENCH TIGHTEN HARDWARE
- SOME PARTS MAY HAVE BEEN
REMOVED FOR CLARITY.



IMPORTANT
APPLY LUBRICATION (107)
TO GUIDE RODS (26) PRIOR TO
INSTALLATION OF WEIGHT PLATES.
SAVE ANY EXTRA LUBRICANT FOR USE
ON PAGE 13 AND PAGE 24.

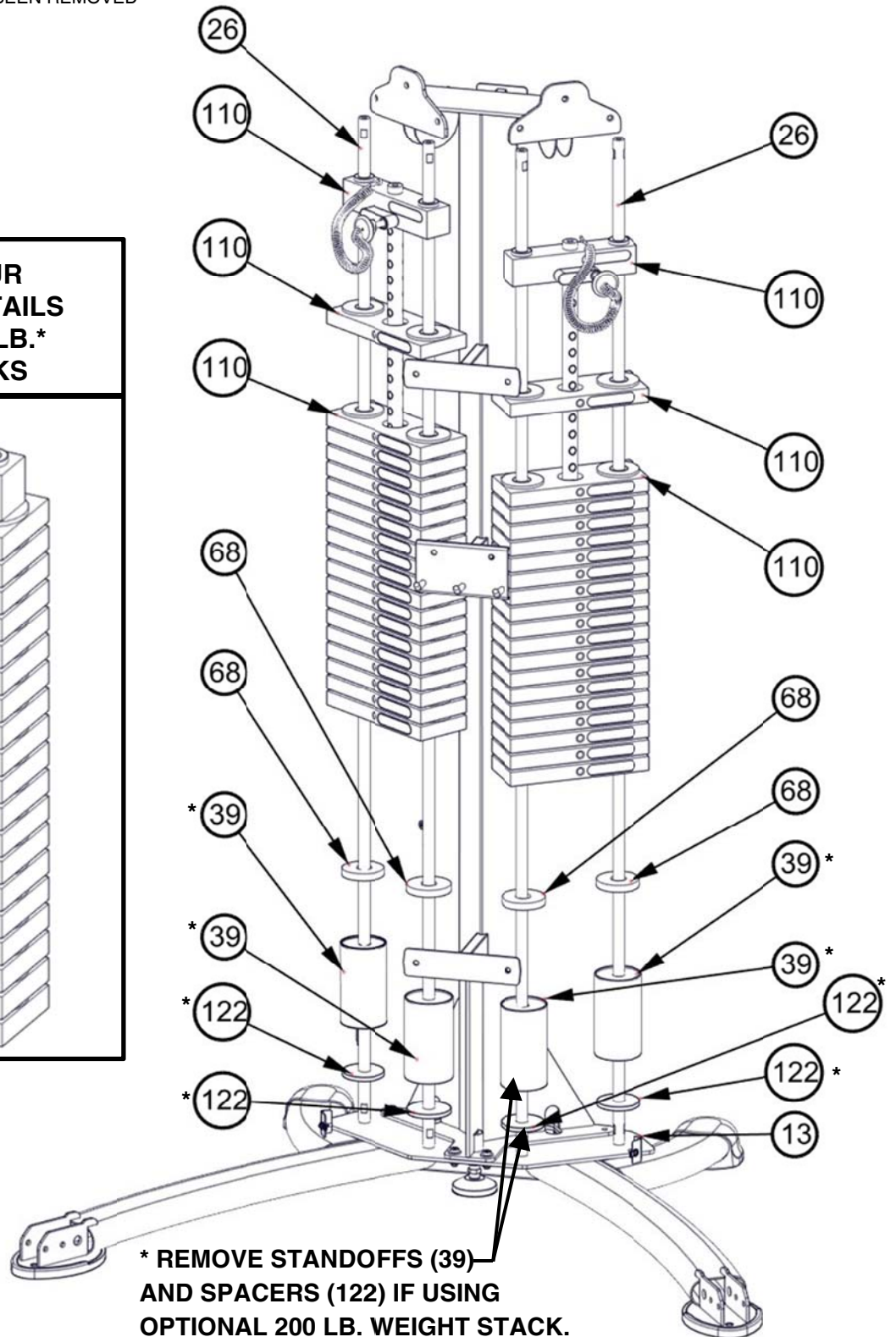
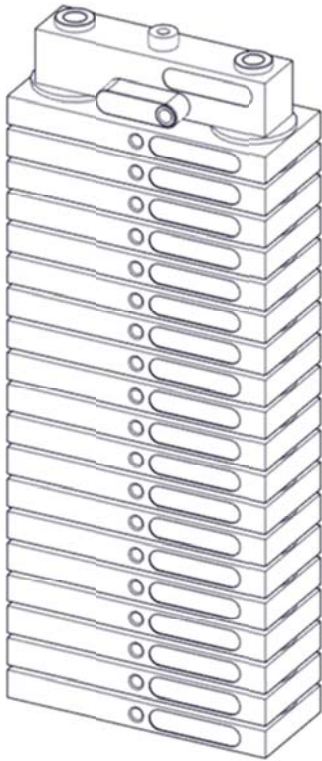


OWNER'S MANUAL

FRAME ASSEMBLY

NOTE:
- SOME PARTS MAY HAVE BEEN REMOVED
FOR CLARITY.

**CONSULT YOUR
DEALER FOR DETAILS
OPTIONAL 200 LB.
WEIGHT STACKS**

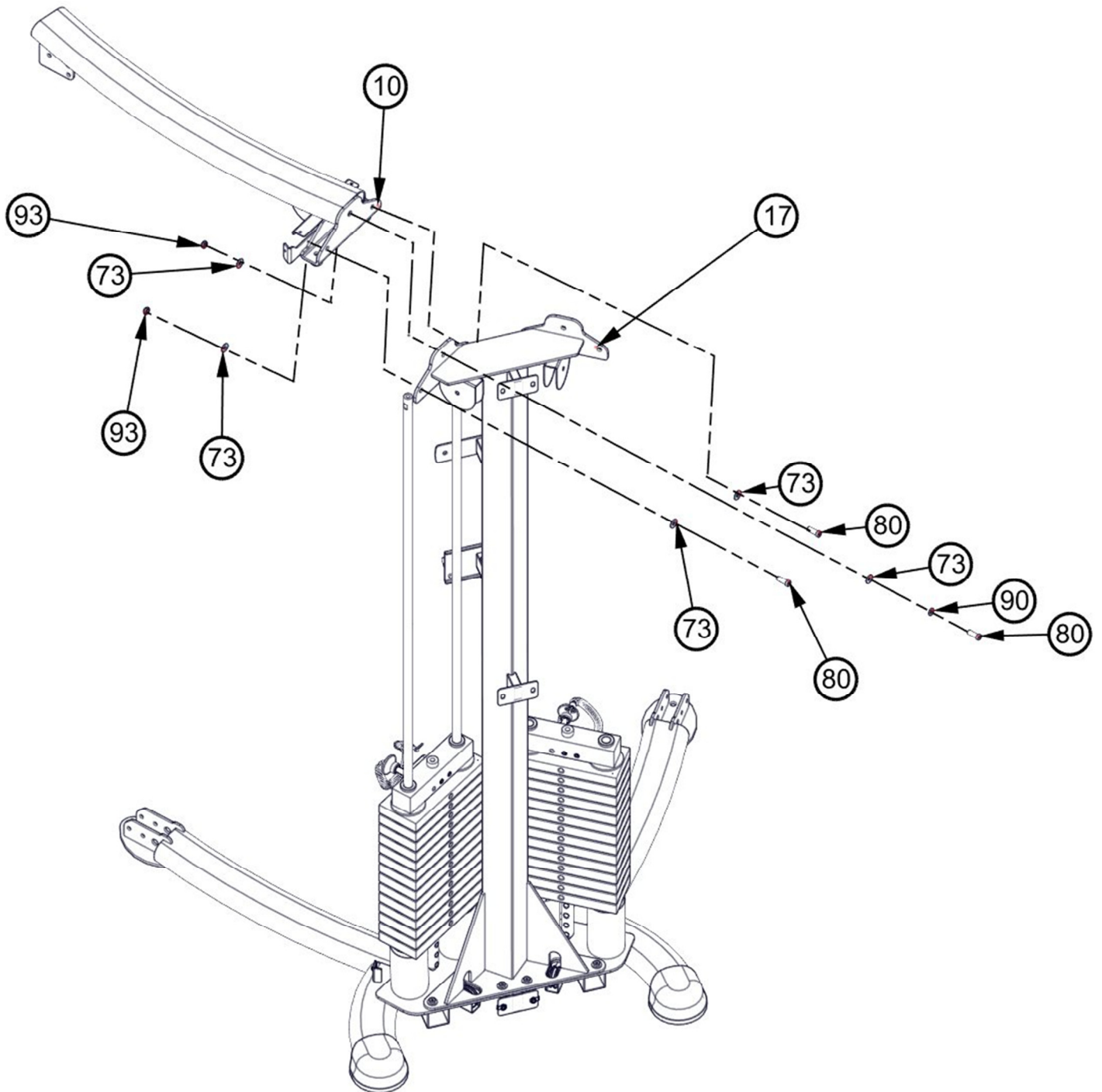


OWNER'S MANUAL

FRAME ASSEMBLY

NOTE:

- HAND TIGHTEN HARDWARE.
- REPEAT ASSEMBLY FOR OPPOSITE SIDE
- SOME PARTS MAY HAVE BEEN REMOVED FOR CLARITY.

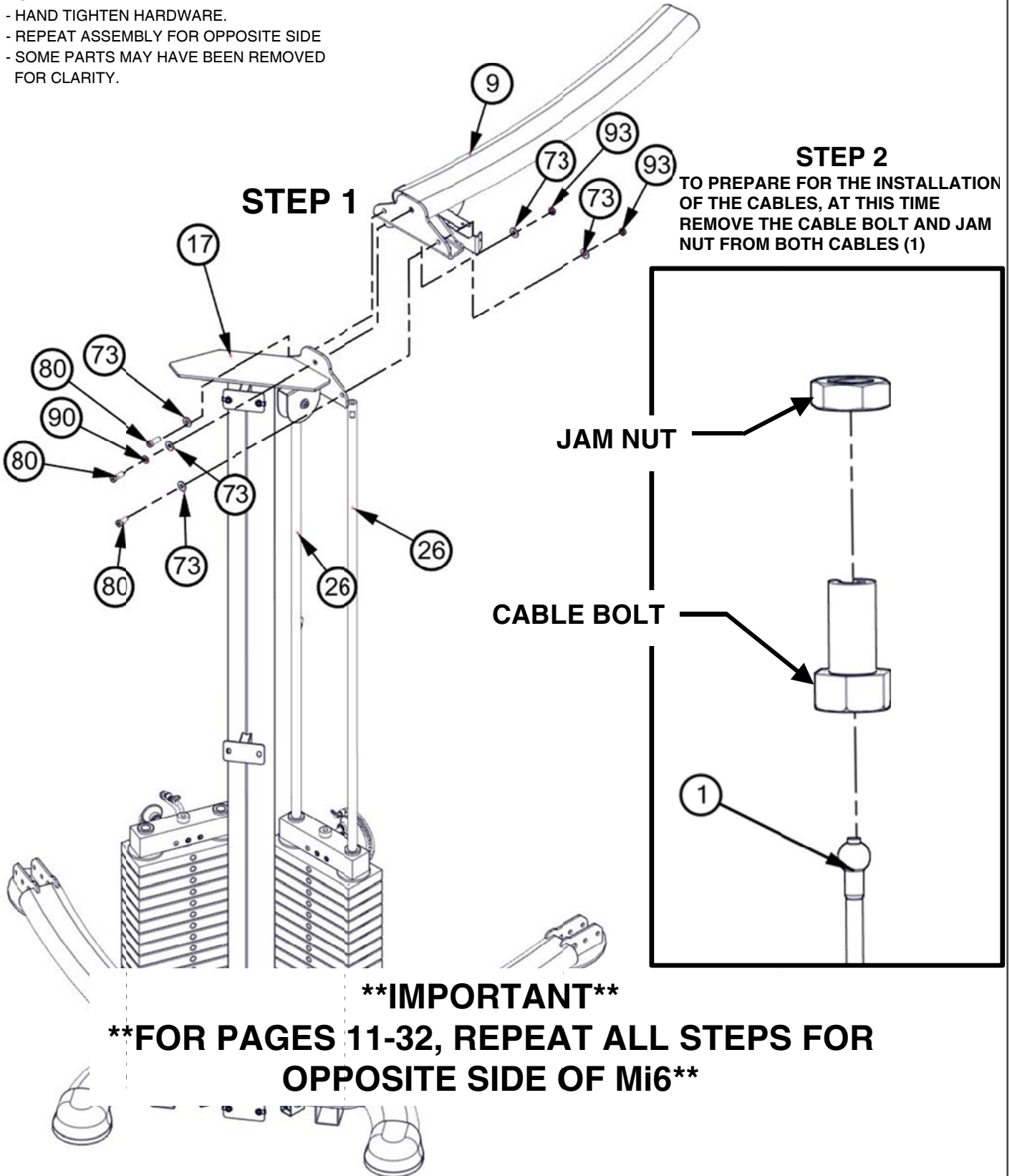


OWNER'S MANUAL

FRAME ASSEMBLY

NOTE:

- HAND TIGHTEN HARDWARE.
- REPEAT ASSEMBLY FOR OPPOSITE SIDE
- SOME PARTS MAY HAVE BEEN REMOVED FOR CLARITY.

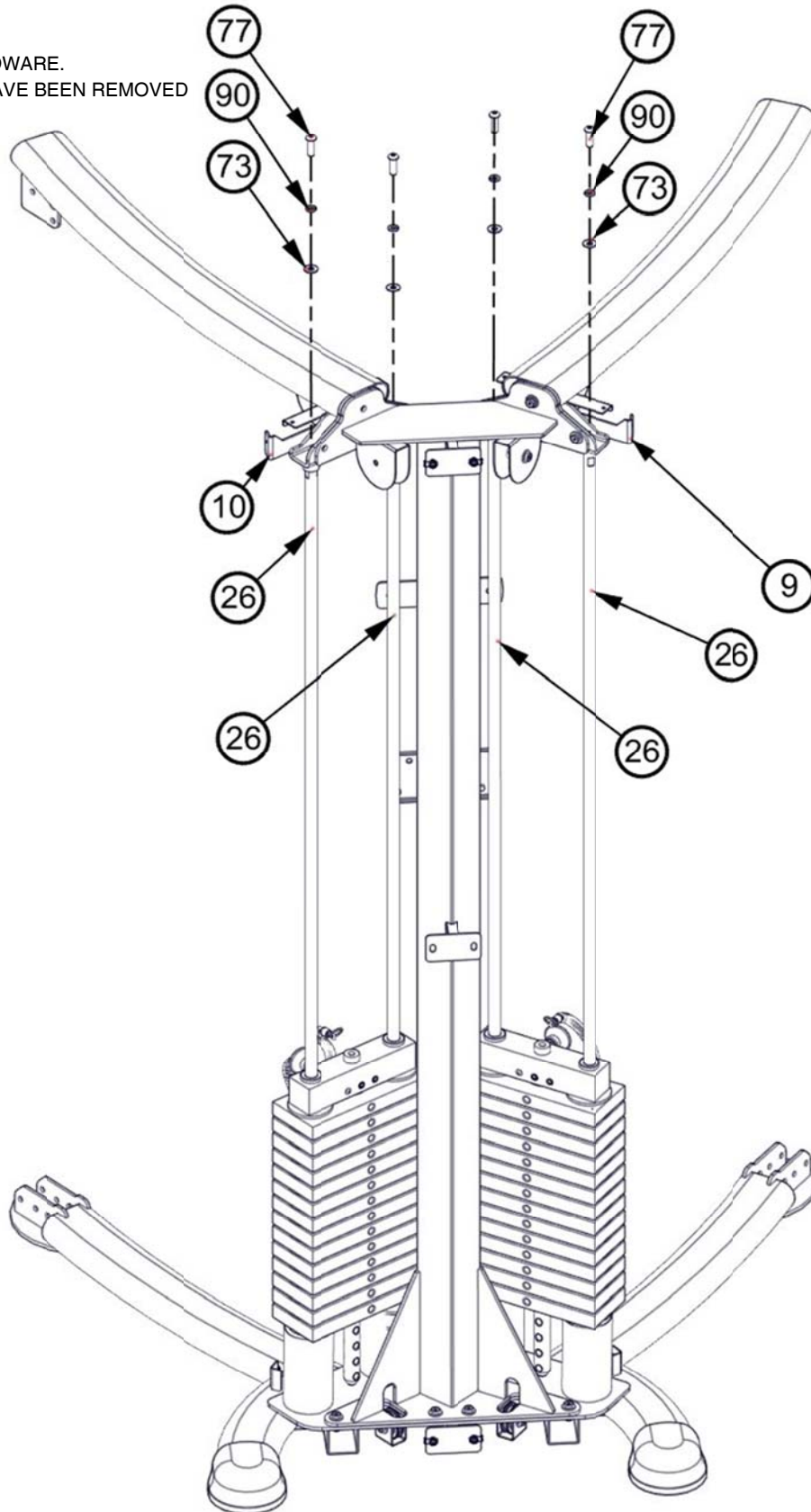


OWNER'S MANUAL

FRAME ASSEMBLY

NOTE:

- HAND TIGHTEN HARDWARE.
- SOME PARTS MAY HAVE BEEN REMOVED FOR CLARITY.

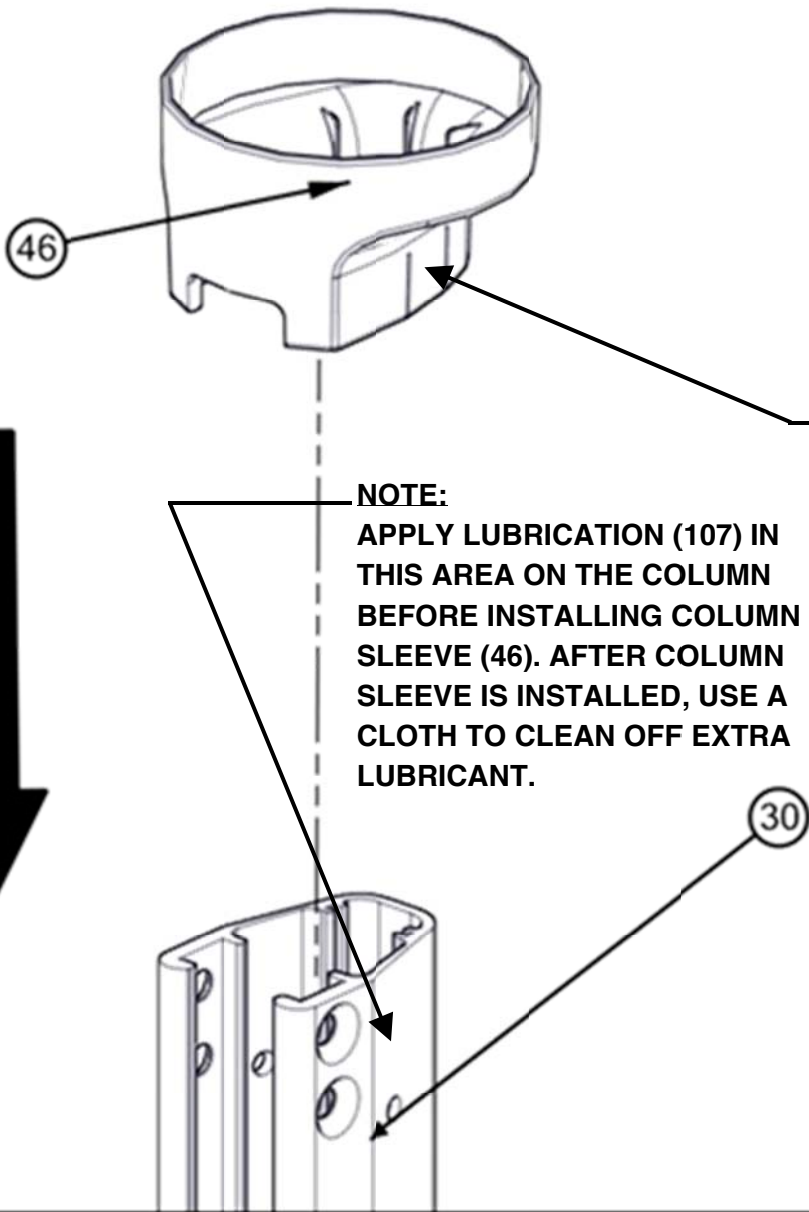


OWNER'S MANUAL

FRAME ASSEMBLY

NOTE:

- HAND TIGHTEN HARDWARE.
- REPEAT ASSEMBLY FOR OPPOSITE SIDE.
- SOME PARTS MAY HAVE BEEN REMOVED FOR CLARITY.



NOTE:

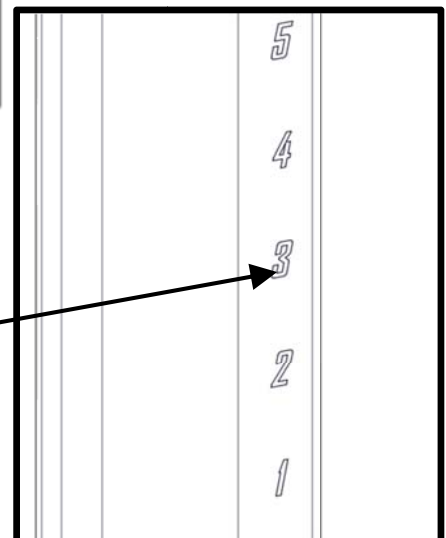
APPLY LUBRICATION (107) IN THIS AREA ON THE COLUMN BEFORE INSTALLING COLUMN SLEEVE (46). AFTER COLUMN SLEEVE IS INSTALLED, USE A CLOTH TO CLEAN OFF EXTRA LUBRICANT.

NOTE:

LIFT THE TABS ON EACH SIDE OF THE COLUMN SLEEVE (46), THEN PUSH THE SLEEVE ABOUT 12" DOWN THE COLUMN (30). REPEAT FOR OPPOSITE COLUMN.

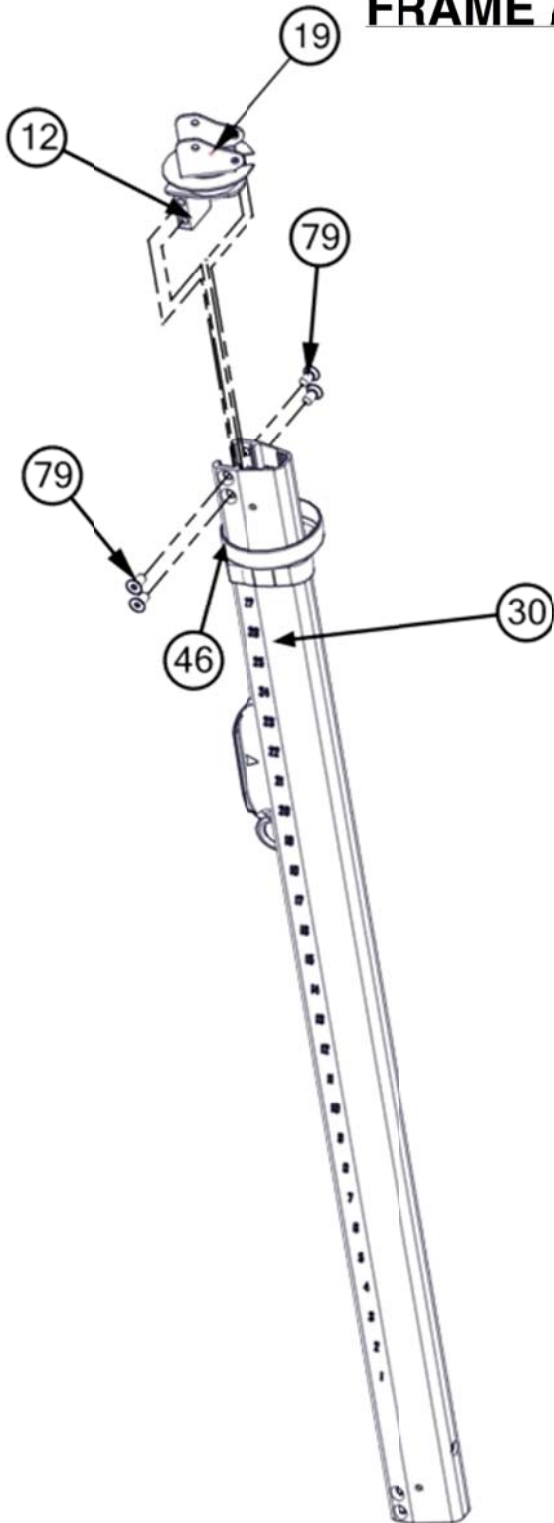
NOTE

ENSURE NUMBERS ON THE COLUMN ARE ASCENDING UPWARDS, AS SHOWN



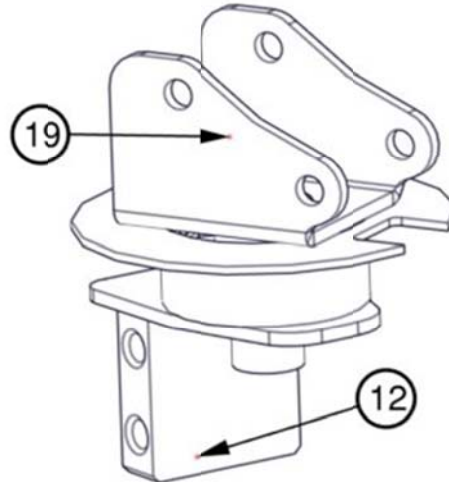
OWNER'S MANUAL

FRAME ASSEMBLY



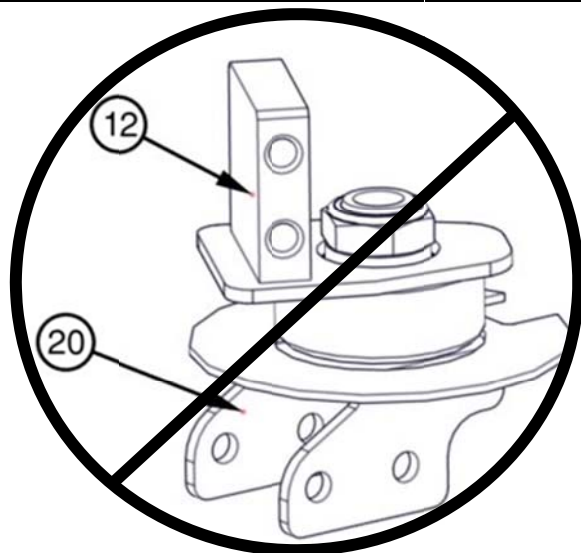
NOTE:

- WRENCH TIGHTEN HARDWARE.
- REPEAT ASSEMBLY FOR OPPOSITE SIDE.
- SOME PARTS MAY HAVE BEEN REMOVED FOR CLARITY.



SPINDLE MOUNT-1 (19)

NOTE: CURVED TOP EDGE.

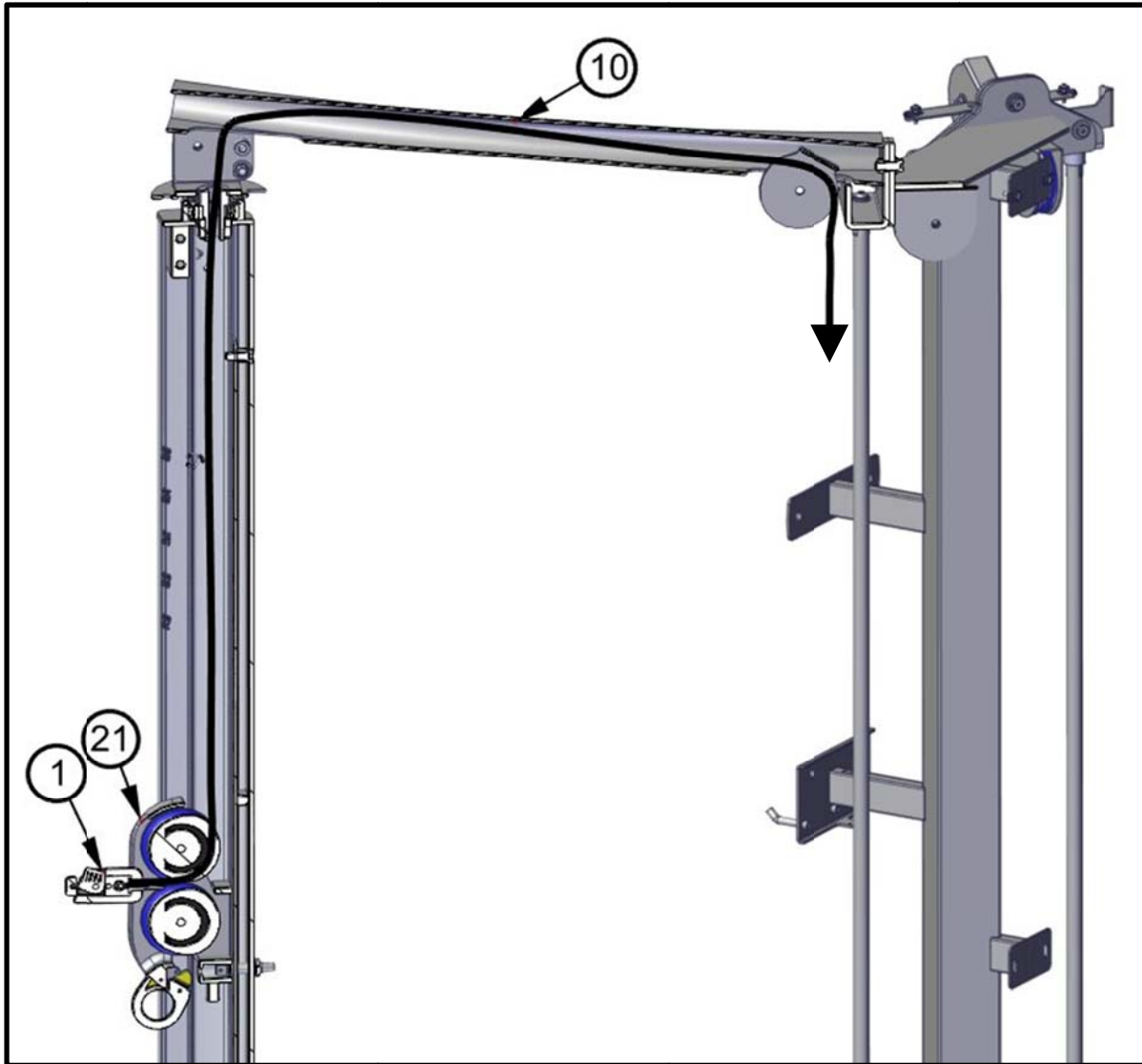


SPINDLE MOUNT-2 (20)

**NOTE: FLAT BOTTOM EDGE
DO NOT USE IN THIS STEP.**

OWNER'S MANUAL

FRAME ASSEMBLY



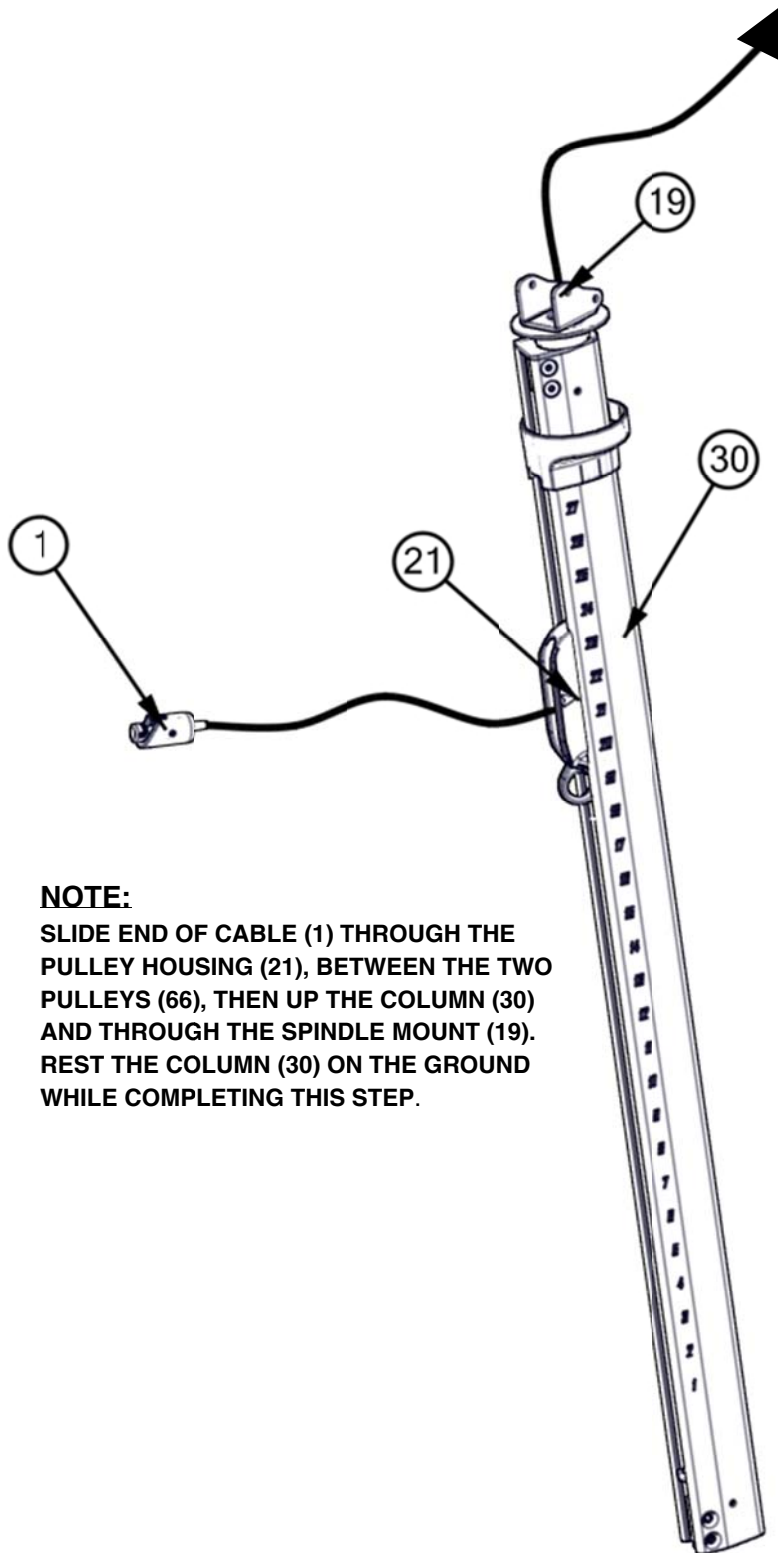
CABLE PROFILE VIEW

OWNER'S MANUAL

FRAME ASSEMBLY

NOTE:

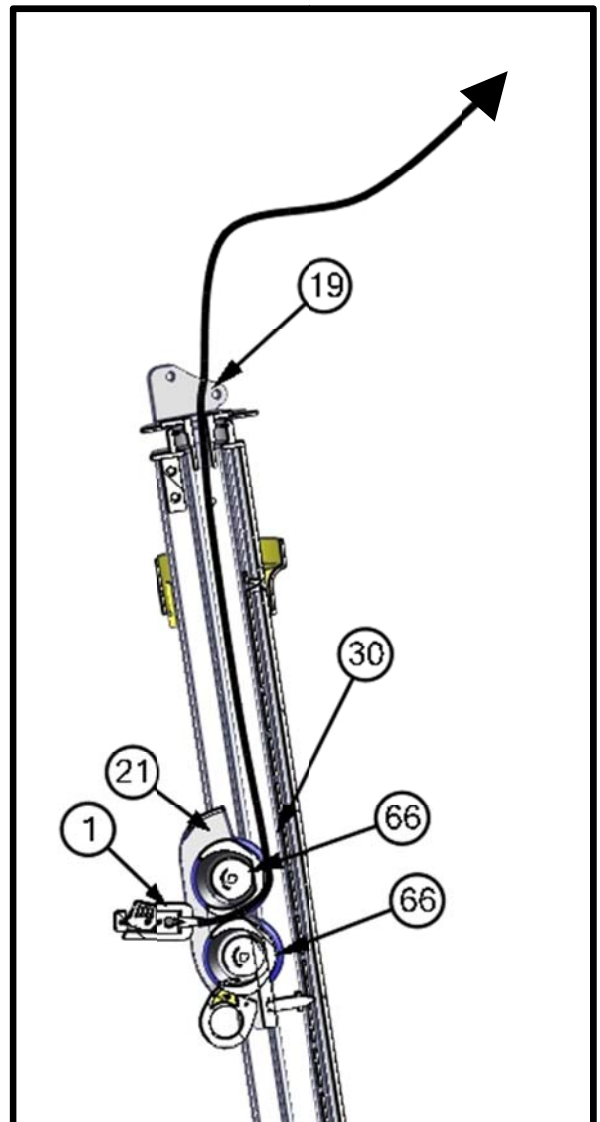
- REPEAT ASSEMBLY FOR OPPOSITE SIDE
- SOME PARTS MAY HAVE BEEN REMOVED FOR CLARITY.



NOTE:

SLIDE END OF CABLE (1) THROUGH THE PULLEY HOUSING (21), BETWEEN THE TWO PULLEYS (66), THEN UP THE COLUMN (30) AND THROUGH THE SPINDLE MOUNT (19). REST THE COLUMN (30) ON THE GROUND WHILE COMPLETING THIS STEP.

CABLE PROFILE VIEW

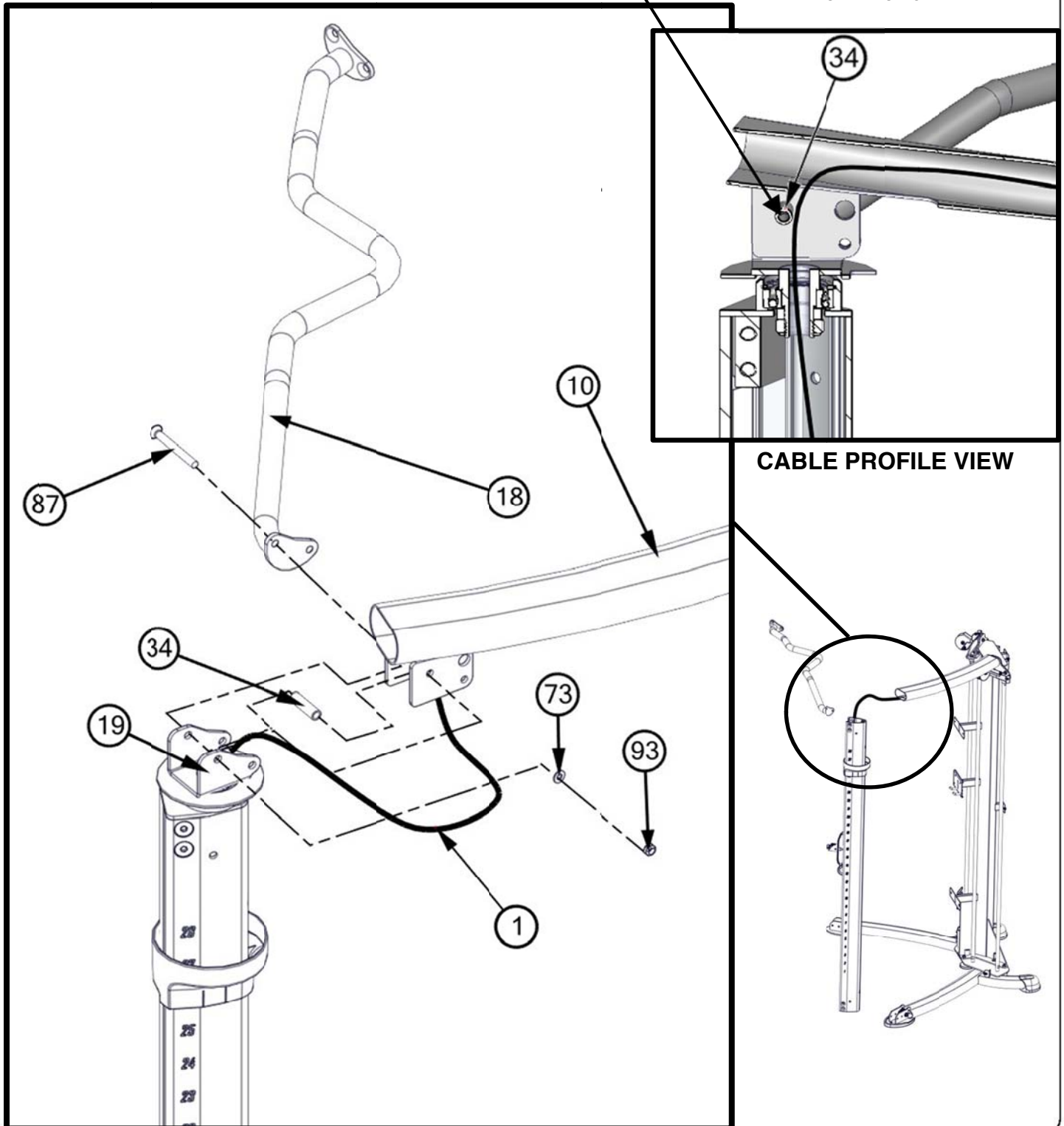


OWNER'S MANUAL

FRAME ASSEMBLY

NOTE:
ENSURE THE CABLE RUNS
BEHIND THE SPACER (34)
AS SHOWN

NOTE:
- HAND TIGHTEN HARDWARE.
- REPEAT ASSEMBLY FOR
OPPOSITE SIDE
- SOME PARTS MAY HAVE BEEN
REMOVED FOR CLARITY.

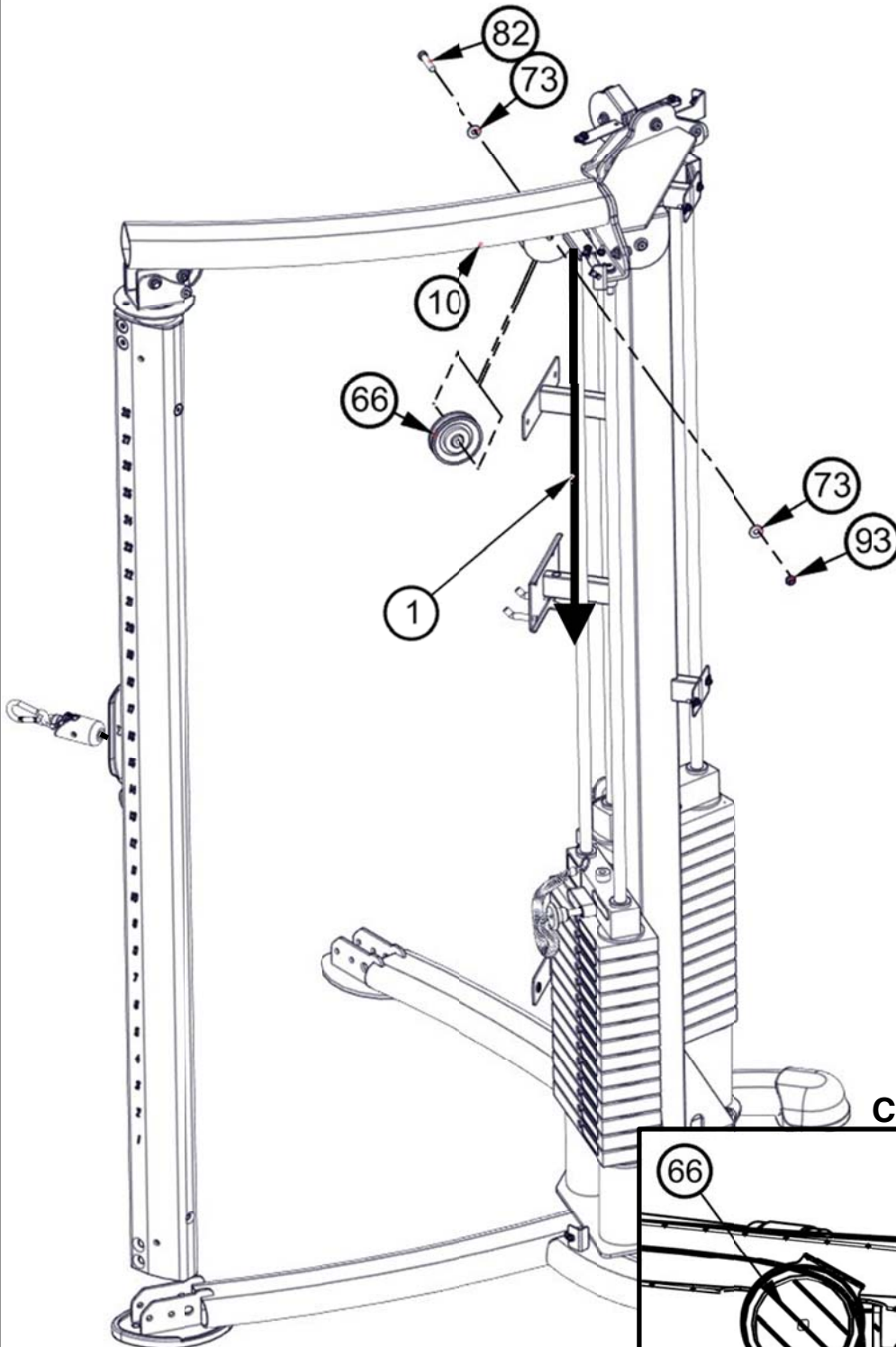


OWNER'S MANUAL

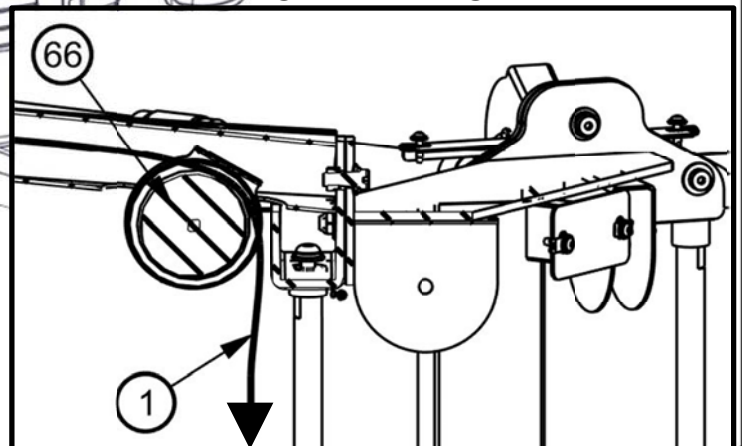
FRAME ASSEMBLY

NOTE:

- WRENCH TIGHTEN HARDWARE.
- REPEAT ASSEMBLY FOR OPPOSITE SIDE
- ASSEMBLE CABLE AND PULLEYS AT THE SAME TIME
- SOME PARTS MAY HAVE BEEN REMOVED FOR CLARITY.



CABLE PROFILE VIEW

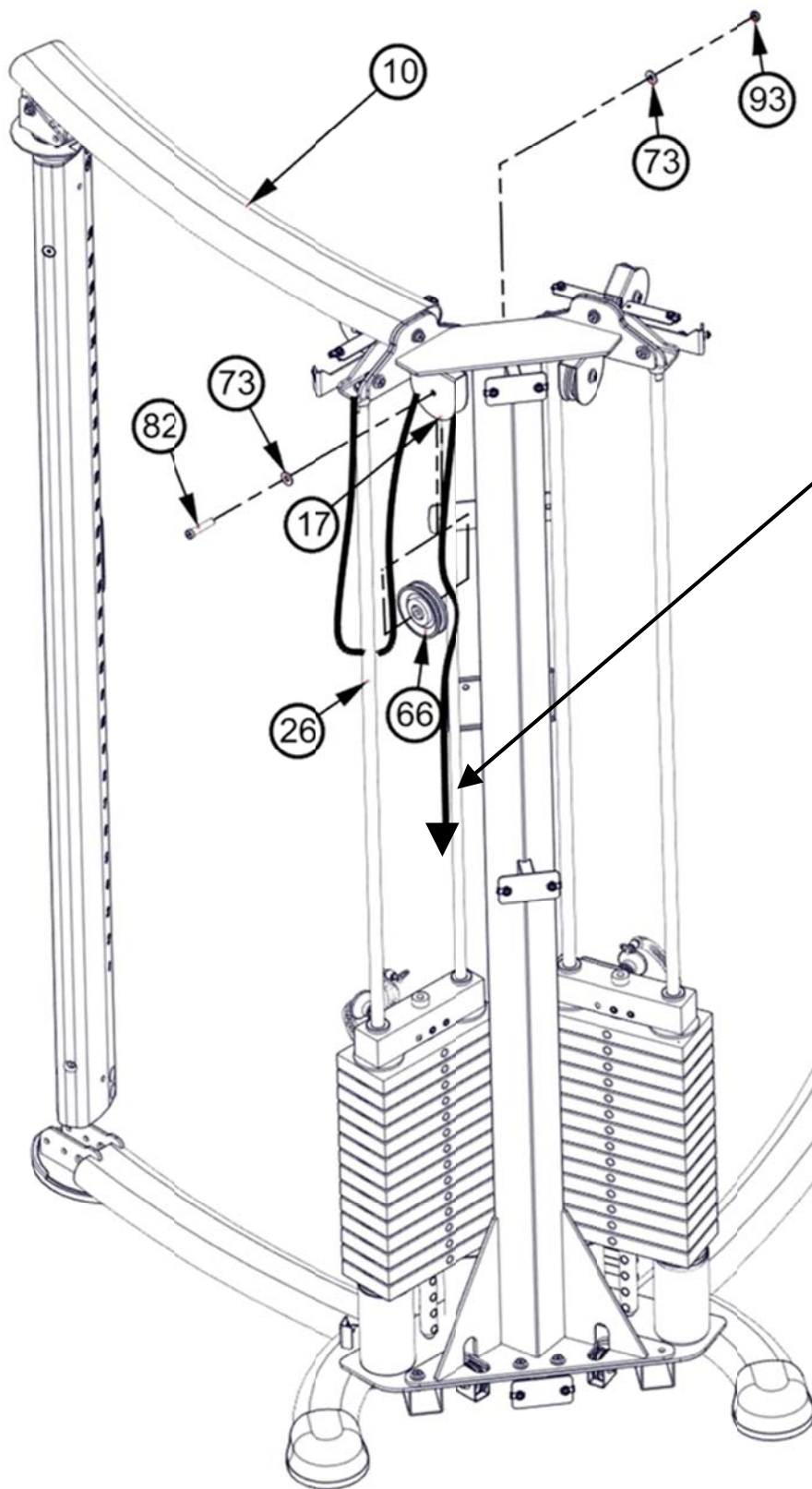


OWNER'S MANUAL

FRAME ASSEMBLY

NOTE:

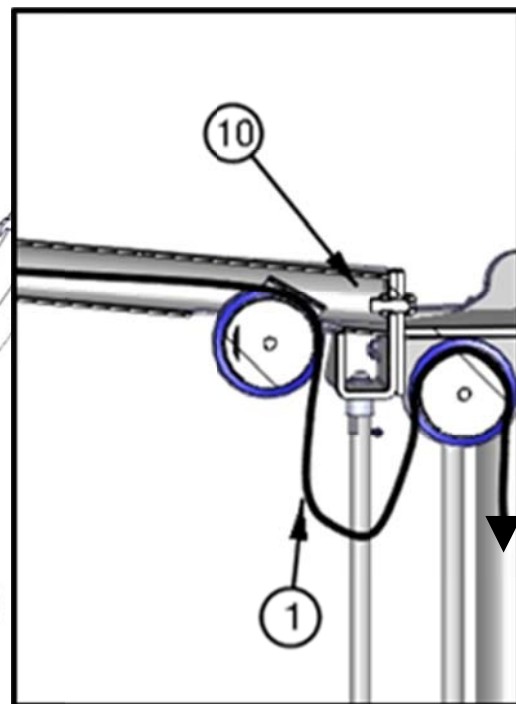
- WRENCH TIGHTEN HARDWARE.
- REPEAT ASSEMBLY FOR OPPOSITE SIDE
- ASSEMBLE CABLE AND PULLEYS AT THE SAME TIME
- SOME PARTS MAY HAVE BEEN REMOVED FOR CLARITY.



NOTE:

- ENSURE CABLE RUNS BETWEEN THE TWO GUIDE RODS (26)**

CABLE PROFILE VIEW



OWNER'S MANUAL

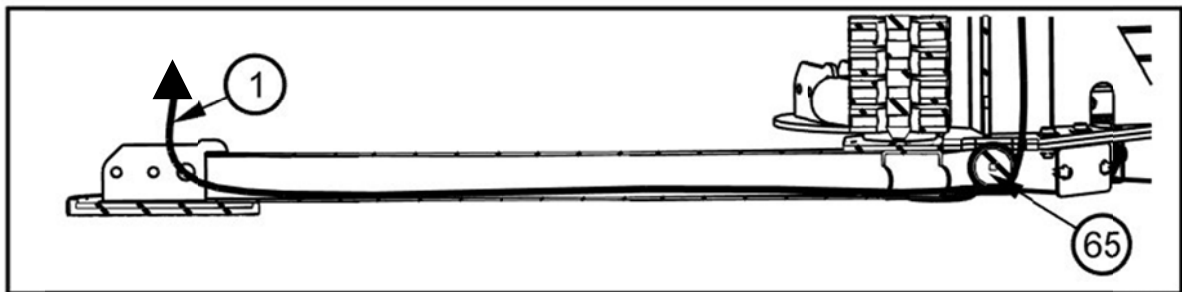
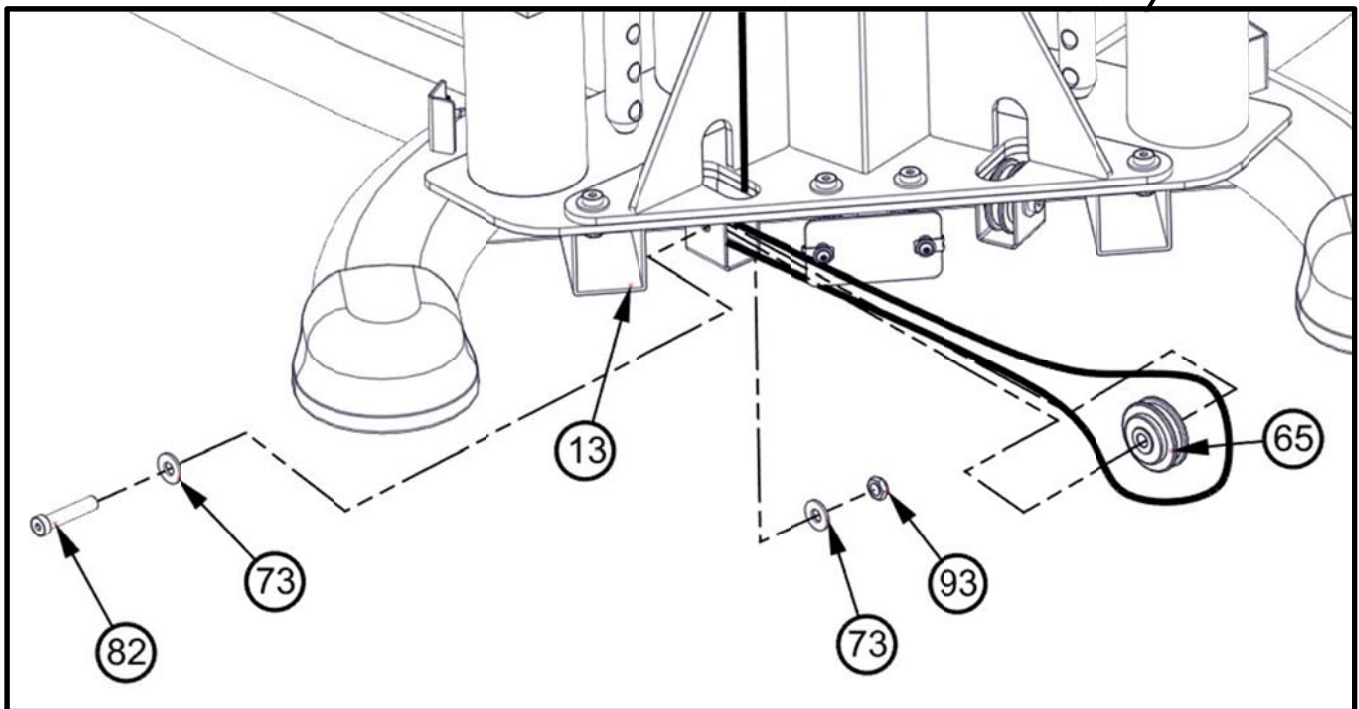
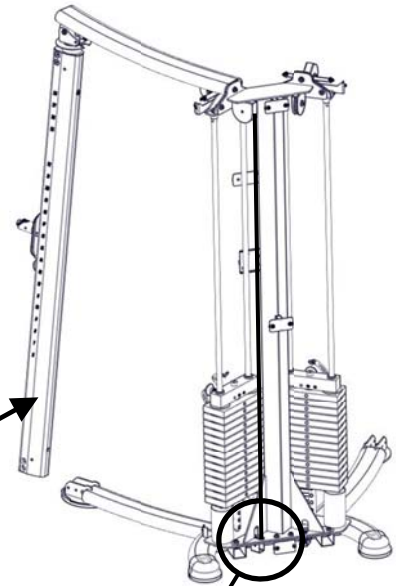
FRAME ASSEMBLY

NOTE:

- WRENCH TIGHTEN HARDWARE.
- INSTALL CABLES AND PULLEYS AT THE SAME TIME.
- REPEAT ASSEMBLY FOR OPPOSITE SIDE.
- SOME PARTS MAY HAVE BEEN REMOVED FOR CLARITY.

NOTE:

TILT COLUMN FORWARD DURING THIS STEP



CABLE PROFILE VIEW

OWNER'S MANUAL

FRAME ASSEMBLY

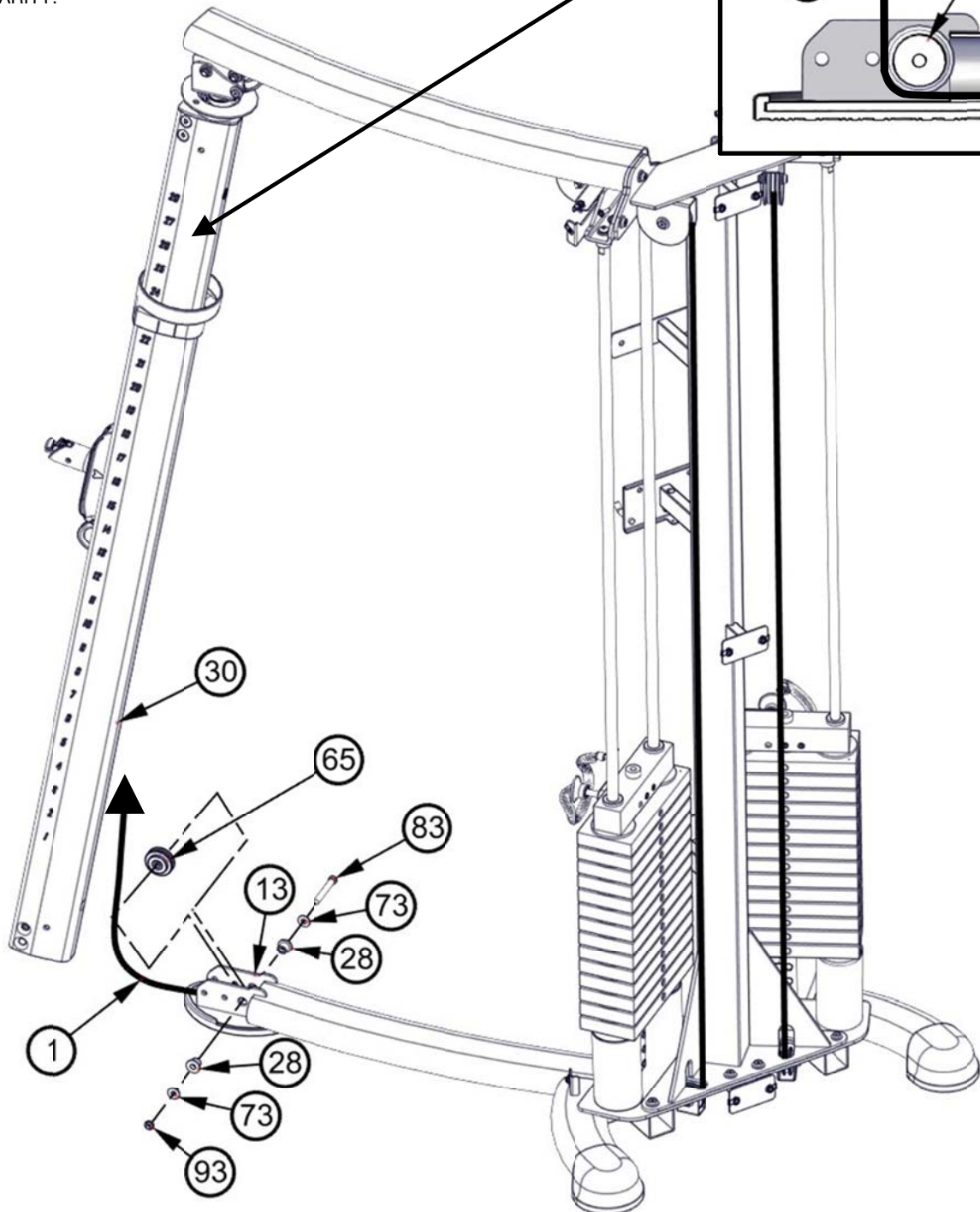
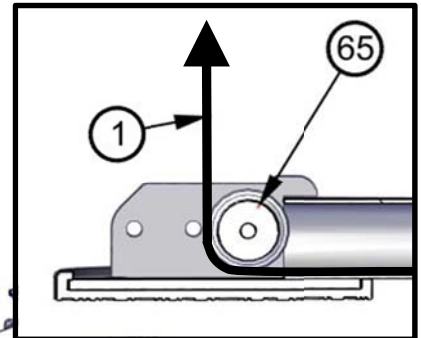
NOTE:

- WRENCH TIGHTEN HARDWARE.
- INSTALL CABLES AND PULLEYS AT THE SAME TIME.
- REPEAT ASSEMBLY FOR OPPOSITE SIDE.
- SOME PARTS MAY HAVE BEEN REMOVED FOR CLARITY.

NOTE:

TILT COLUMN (30) FORWARD DURING THIS STEP

CABLE PROFILE VIEW



OWNER'S MANUAL

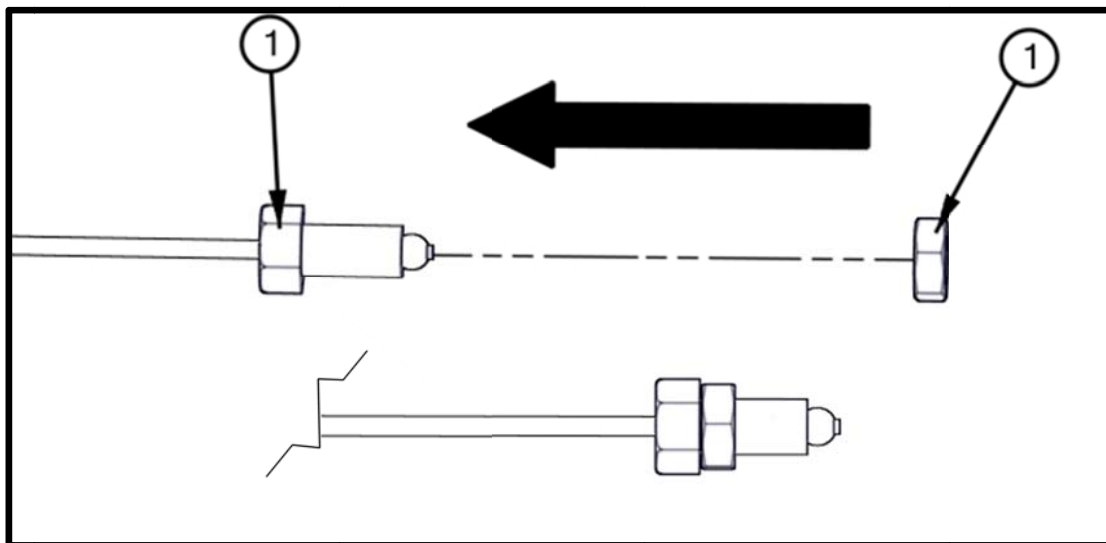
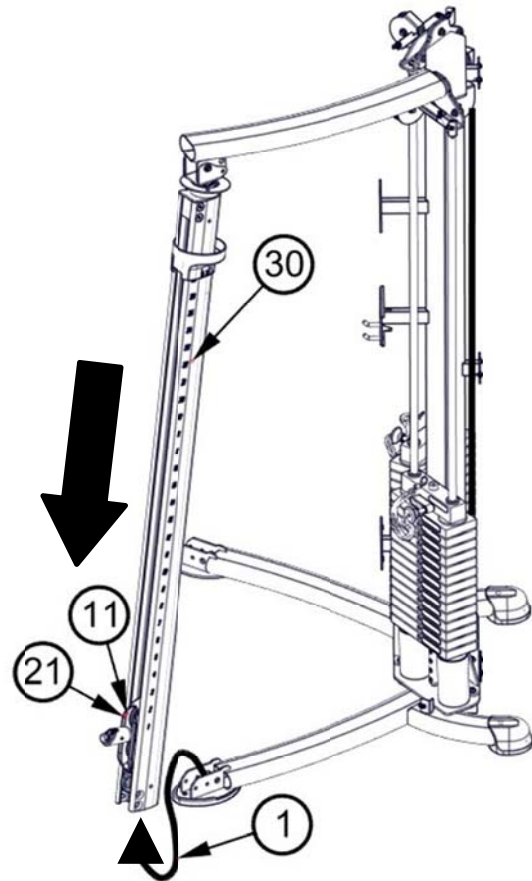
FRAME ASSEMBLY

NOTE:

- SOME PARTS MAY HAVE BEEN REMOVED FOR CLARITY.
- REPEAT ASSEMBLY FOR OPPOSITE SIDE

NOTE:

ADJUST THE PULLEY CARRIAGE (11) AND HOUSING (21) DOWN TO THE BOTTOM OF THE COLUMN (30). DO NOT FULLY REMOVE THE PULLEY CARRIAGE FROM THE COLUMN.



NOTE:

INSTALL BOLT ONTO CABLE END, THEN THREAD JAM NUT ONTO THE BOLT. REPEAT FOR OPPOSITE SIDE.

OWNER'S MANUAL

FRAME ASSEMBLY

NOTE:

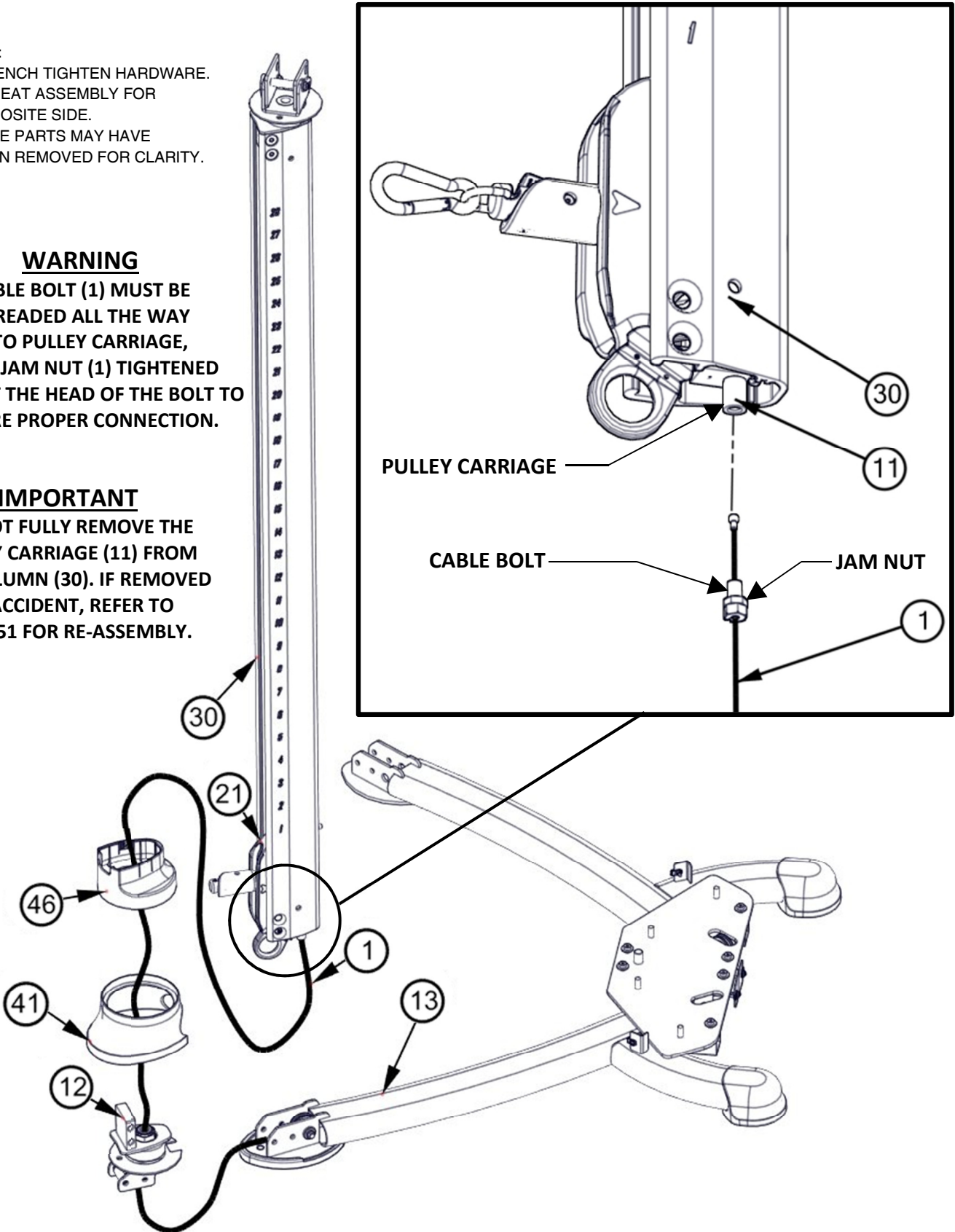
- WRENCH TIGHTEN HARDWARE.
- REPEAT ASSEMBLY FOR OPPOSITE SIDE.
- SOME PARTS MAY HAVE BEEN REMOVED FOR CLARITY.

WARNING

CABLE BOLT (1) MUST BE THREADED ALL THE WAY INTO PULLEY CARRIAGE, WITH JAM NUT (1) TIGHTENED AGAINST THE HEAD OF THE BOLT TO ENSURE PROPER CONNECTION.

IMPORTANT

DO NOT FULLY REMOVE THE PULLEY CARRIAGE (11) FROM THE COLUMN (30). IF REMOVED BY ACCIDENT, REFER TO PAGE 51 FOR RE-ASSEMBLY.



OWNER'S MANUAL

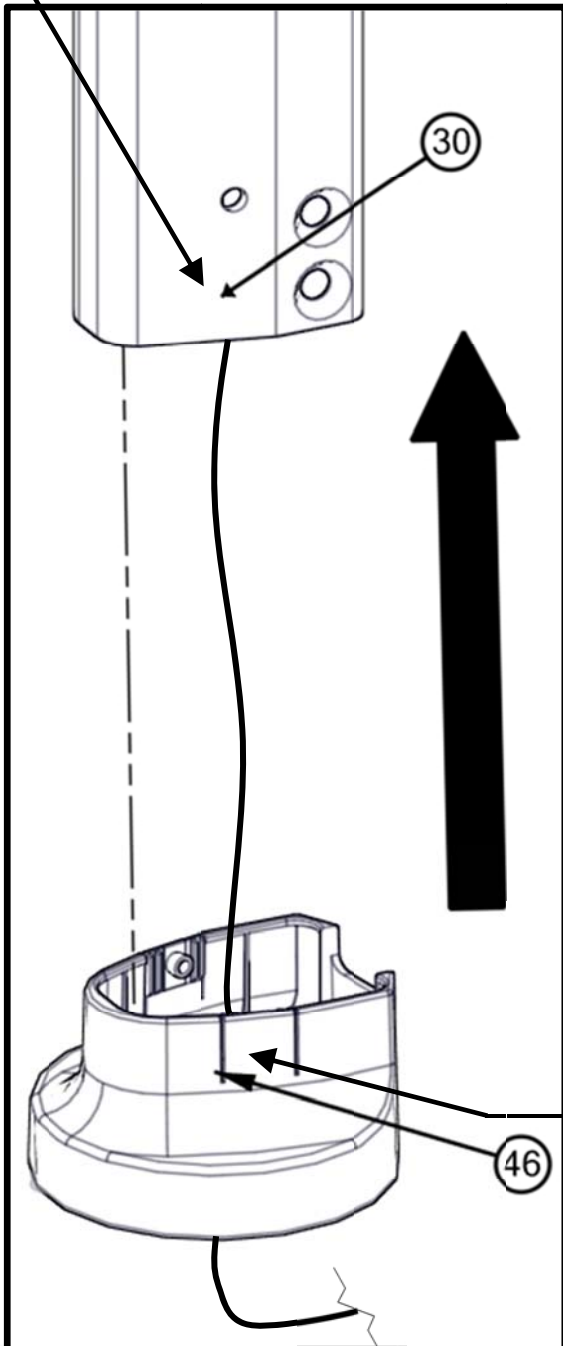
FRAME ASSEMBLY

NOTE:

- SOME PARTS MAY HAVE BEEN REMOVED FOR CLARITY.
- REPEAT ASSEMBLY FOR OPPOSITE SIDE

STEP 3

APPLY LUBRICATION (107) IN THIS AREA ON THE COLUMN BEFORE INSTALLING COLUMN SLEEVE (46). AFTER COLUMN SLEEVE IS INSTALLED, USE A CLOTH TO CLEAN OFF EXTRA LUBRICANT.

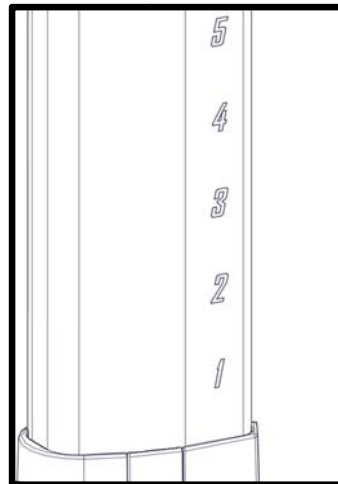


STEP 2

LIFT THE PULLEY CARRIAGE UP TO THE MIDDLE OF THE COLUMN SO THAT THE COLUMN SLEEVE (46) CAN BE INSTALLED

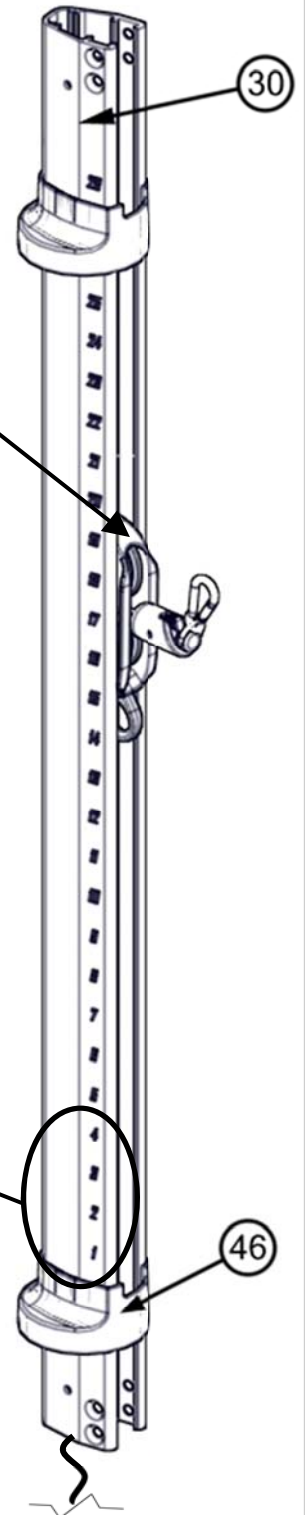
STEP 1

ENSURE THE COLUMN IS POSITIONED RIGHT SIDE UP, WITH THE COLUMN NUMBERS ASCENDING UPWARDS, AS SHOWN



STEP 4

LIFT THE TABS ON EACH SIDE OF THE COLUMN SLEEVE (46), THEN PUSH THE SLEEVE ABOUT 12 INCHES UP THE COLUMN (30). REPEAT STEP 1, 2, 3, AND 4 FOR OTHER COLUMN.

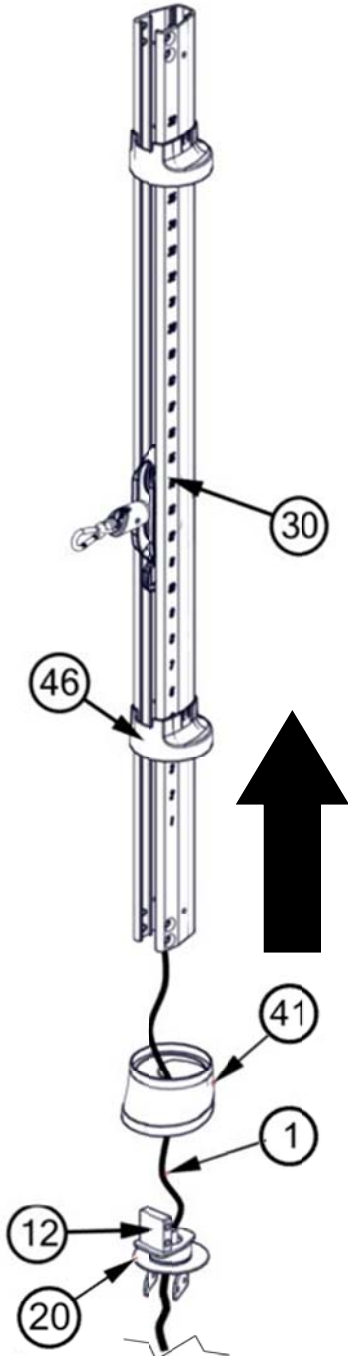


OWNER'S MANUAL

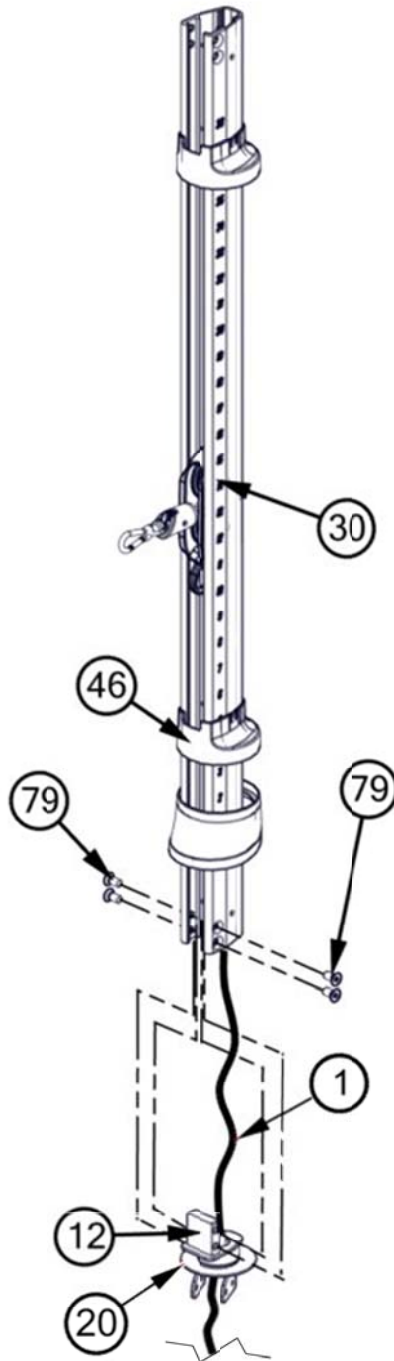
FRAME ASSEMBLY

STEP 1

PUSH THE BOOT (41)
UP THE COLUMN
AND HOLD IT THERE.

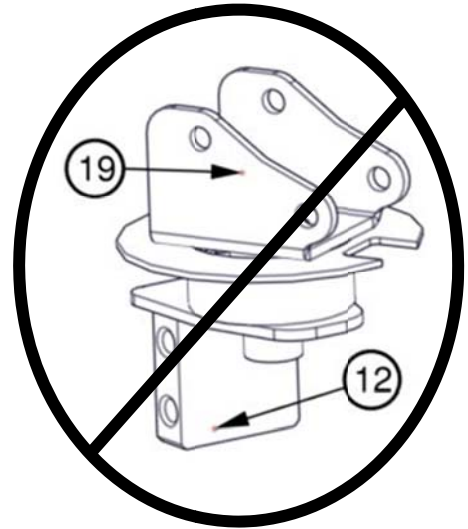


STEP 2



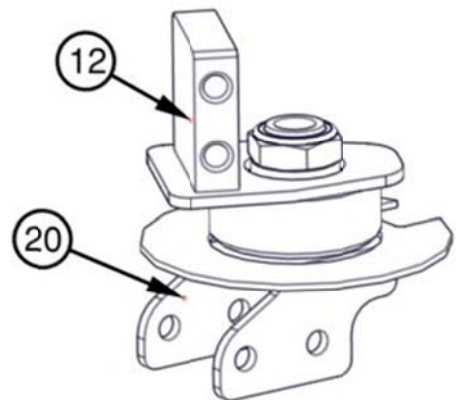
NOTE:

- WRENCH TIGHTEN HARDWARE
- SOME PARTS MAY HAVE BEEN REMOVED FOR CLARITY.
- REPEAT ASSEMBLY FOR OPPOSITE SIDE



SPINDLE MOUNT-1 (19)

NOTE: CURVED TOP EDGE.
DO NOT USE IN THIS STEP



SPINDLE MOUNT-2 (20)

NOTE: FLAT BOTTOM EDGE

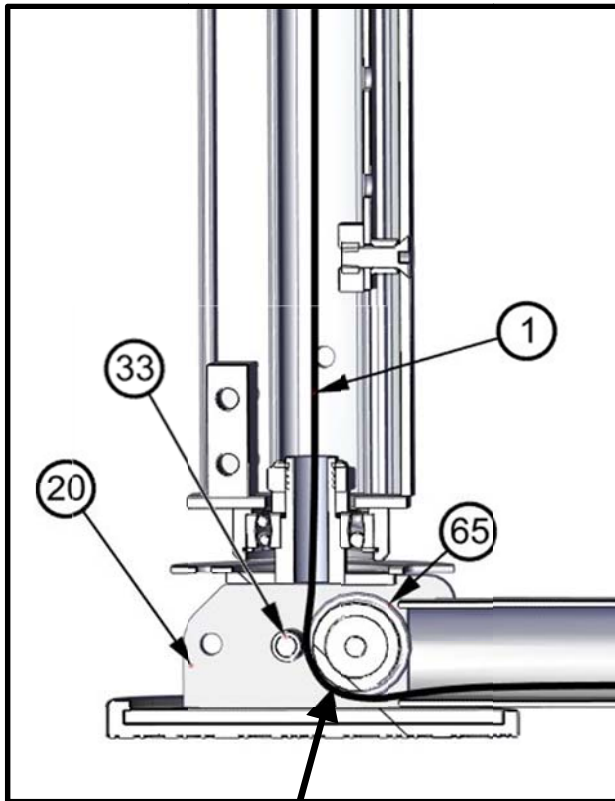
OWNER'S MANUAL

FRAME ASSEMBLY

NOTE:

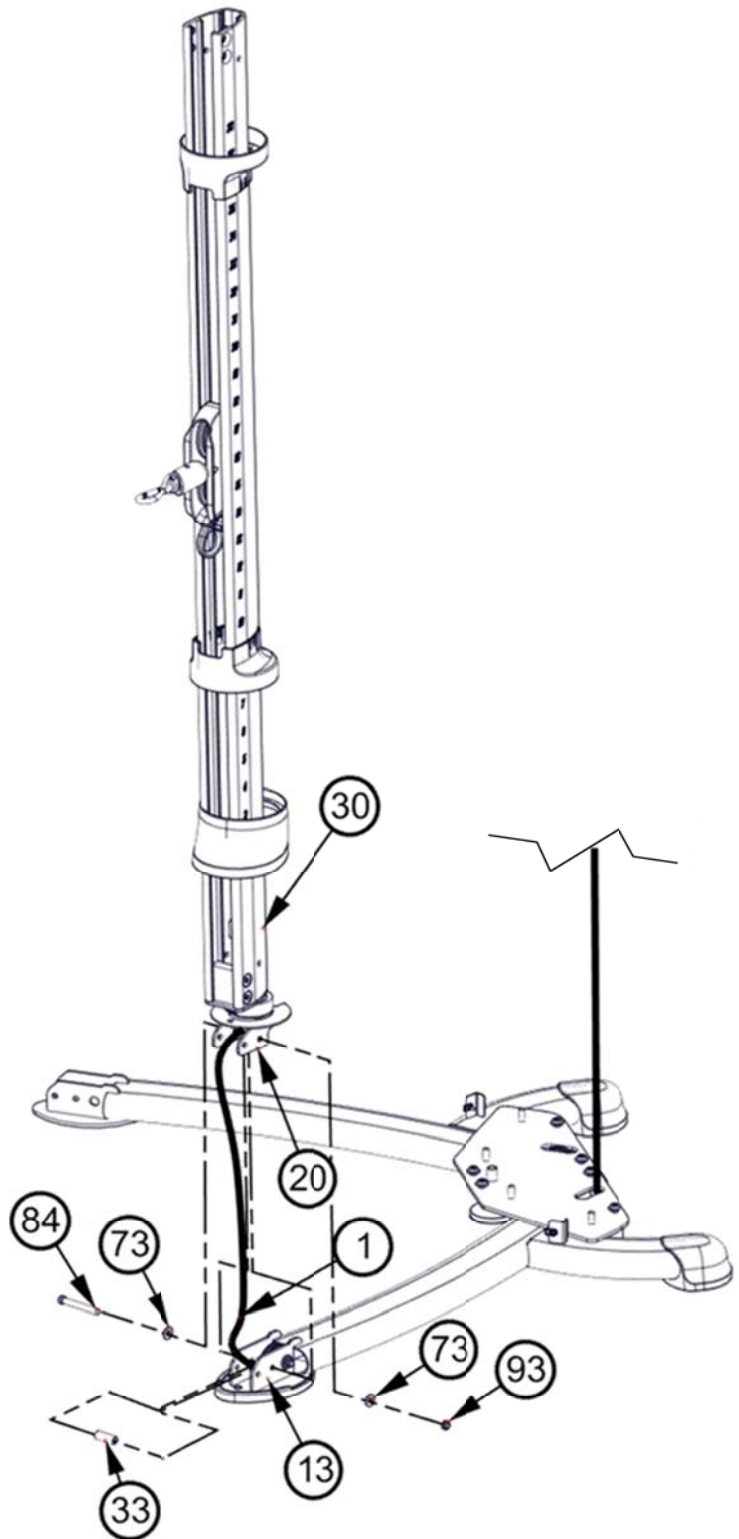
- WRENCH TIGHTEN HARDWARE
- SOME PARTS MAY HAVE BEEN REMOVED FOR CLARITY.
- REPEAT ASSEMBLY FOR OPPOSITE SIDE

CABLE PROFILE VIEW



NOTE:

ENSURE THAT THE CABLE RUNS BETWEEN THE SPACER (33) AND THE PULLEY (65), AS SHOWN

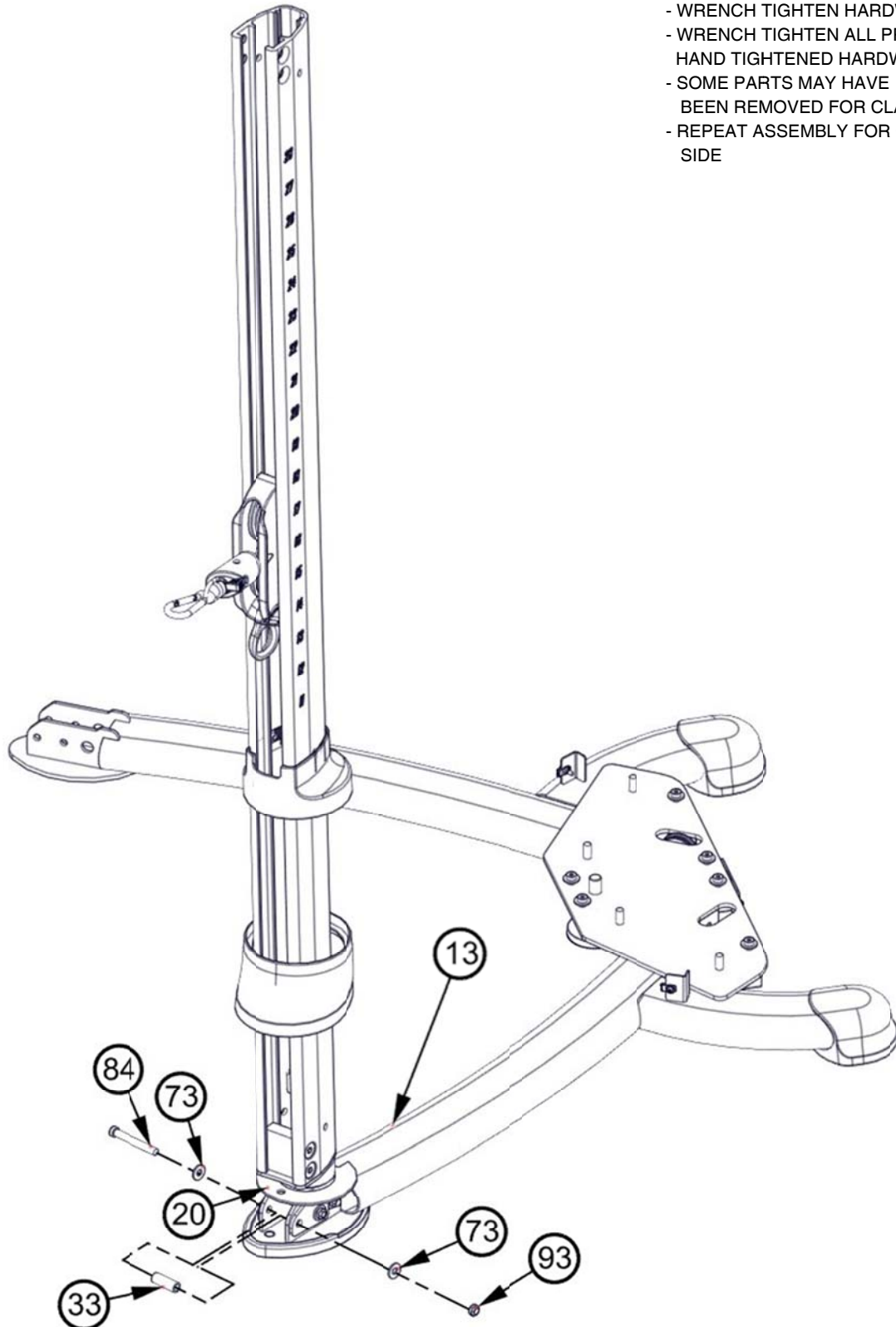


OWNER'S MANUAL

FRAME ASSEMBLY

NOTE:

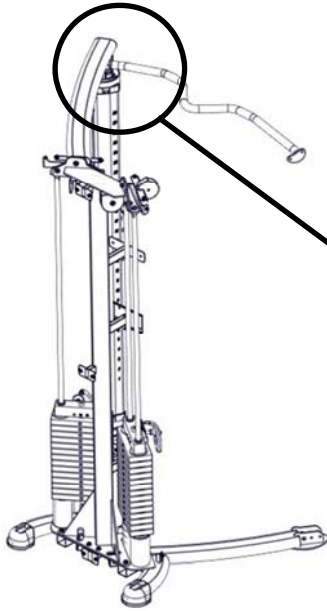
- WRENCH TIGHTEN HARDWARE.
- WRENCH TIGHTEN ALL PREVIOUSLY HAND TIGHTENED HARDWARE
- SOME PARTS MAY HAVE BEEN REMOVED FOR CLARITY.
- REPEAT ASSEMBLY FOR OPPOSITE SIDE



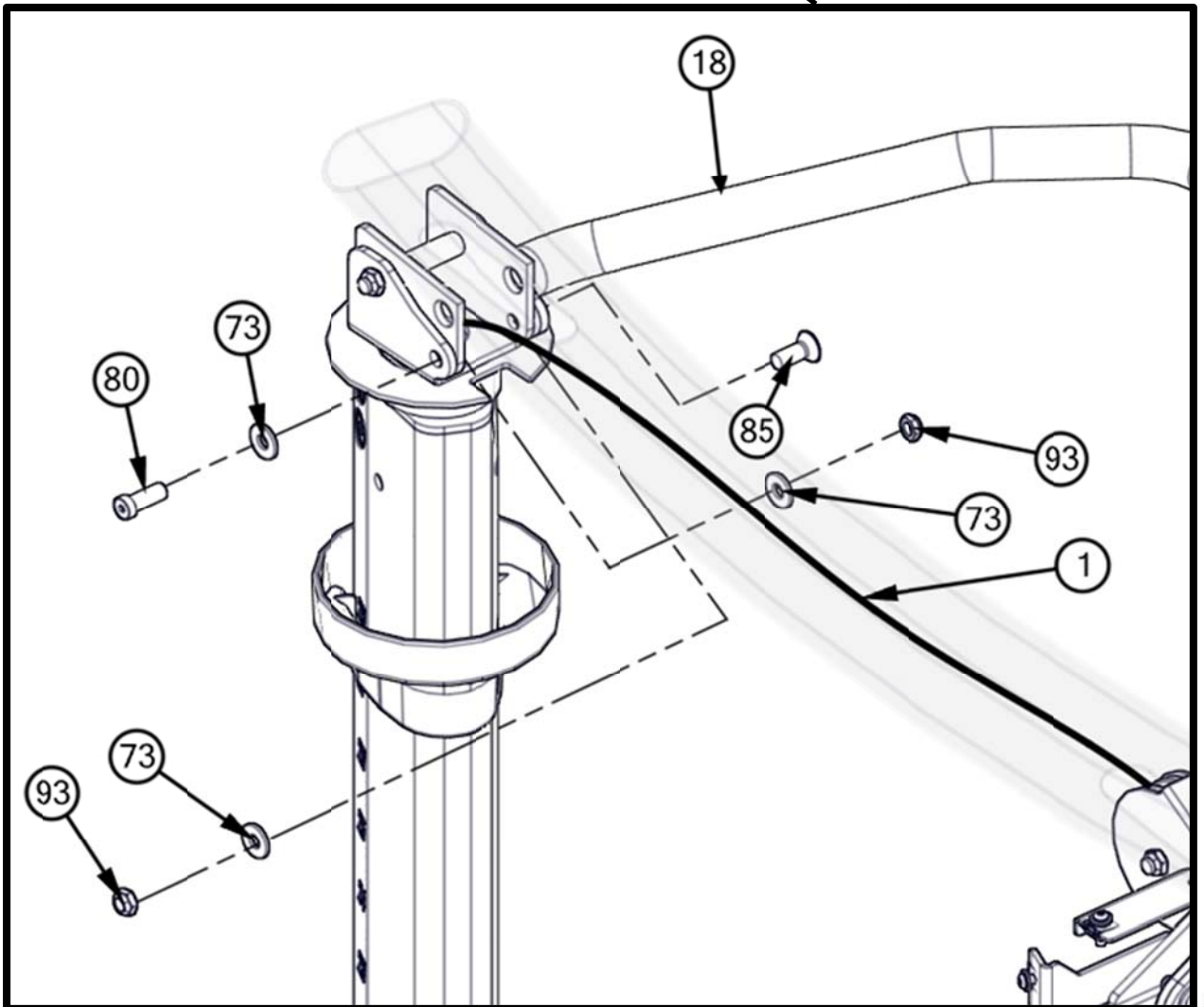
WRENCH TIGHTEN ALL PREVIOUSLY HAND TIGHTENED HARDWARE

OWNER'S MANUAL

FRAME ASSEMBLY

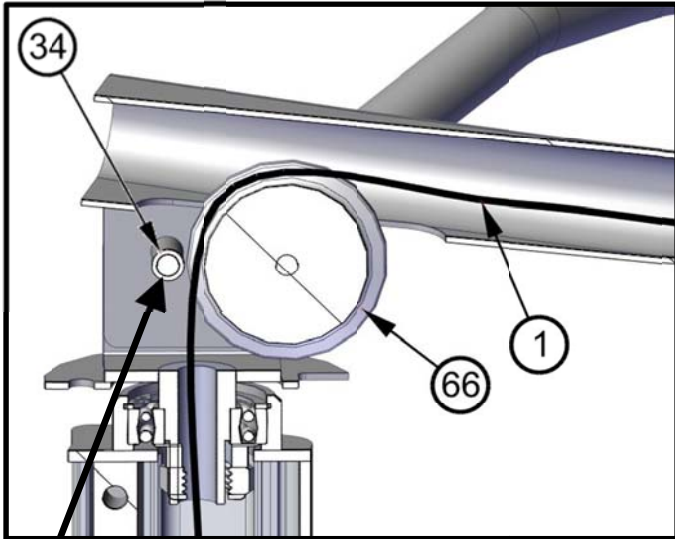


- NOTE:
- WRENCH TIGHTEN HARDWARE.
 - REPEAT ASSEMBLY FOR OPPOSITE SIDE.
 - SOME PARTS MAY HAVE BEEN REMOVED FOR CLARITY.



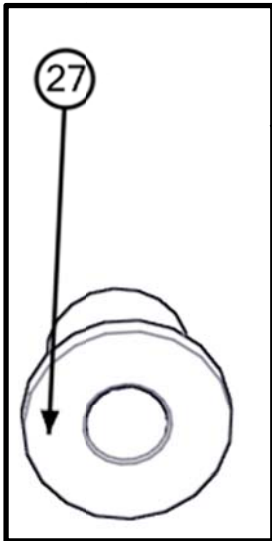
OWNER'S MANUAL

CABLE PROFILE VIEW



NOTE:

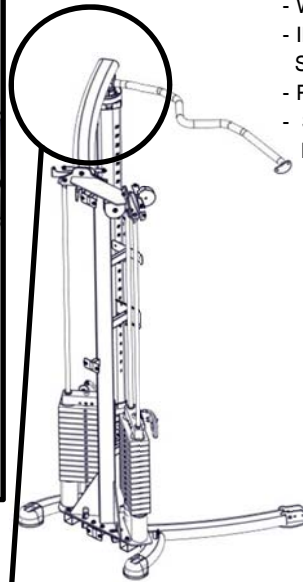
ENSURE THAT THE CABLE RUNS BETWEEN THE SPACER (34) AND THE PULLEY (66), AS SHOWN



NOTE:

FLANGED SPACER (27) DOES NOT HAVE A COUNTERSINK AND MUST BE USED HERE, FACING THE OUTSIDE OF THE MACHINE.

FRAME ASSEMBLY

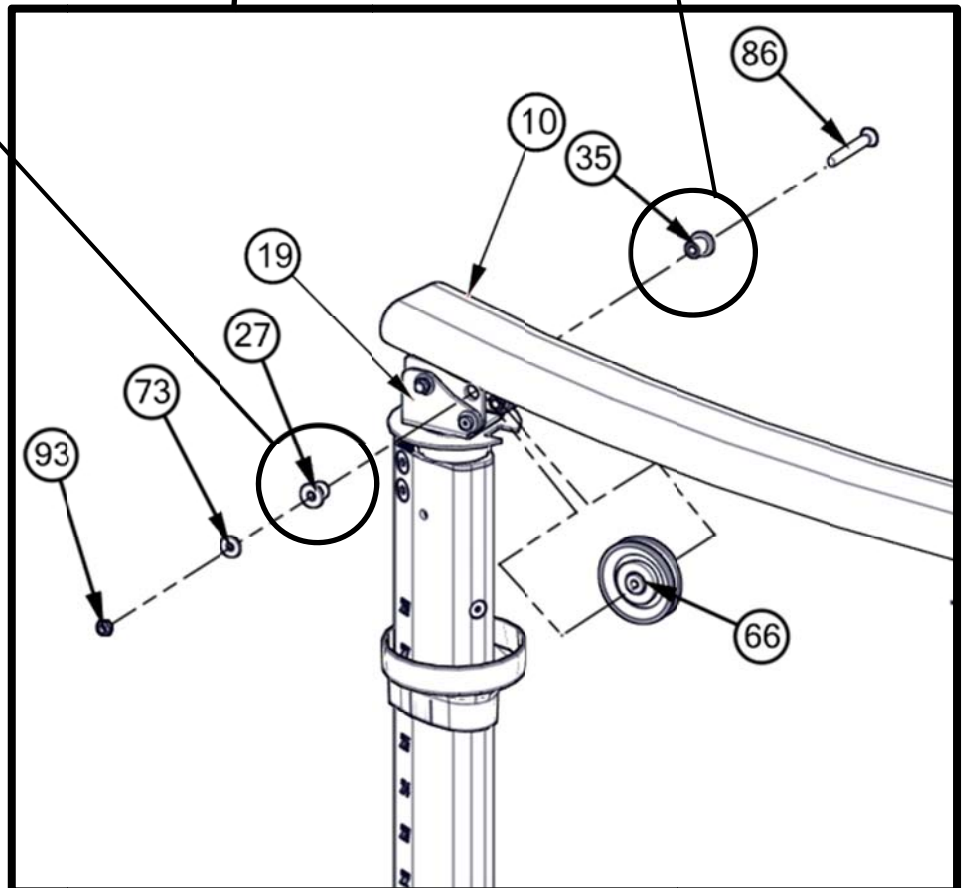
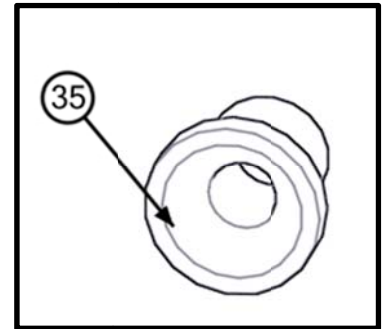


NOTE:

- WRENCH TIGHTEN HARDWARE.
- INSTALL CABLES AND PULLEYS AT THE SAME TIME.
- REPEAT ASSEMBLY FOR OPPOSITE SIDE.
- SOME PARTS MAY HAVE BEEN REMOVED FOR CLARITY.

NOTE:

COUNTERSUNK SPACER (35) MUST BE USED HERE, FACING THE INSIDE OF THE MACHINE



OWNER'S MANUAL

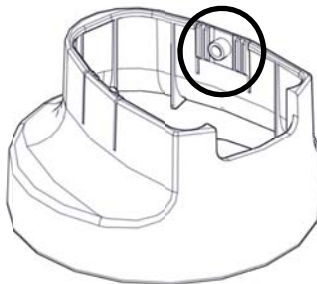
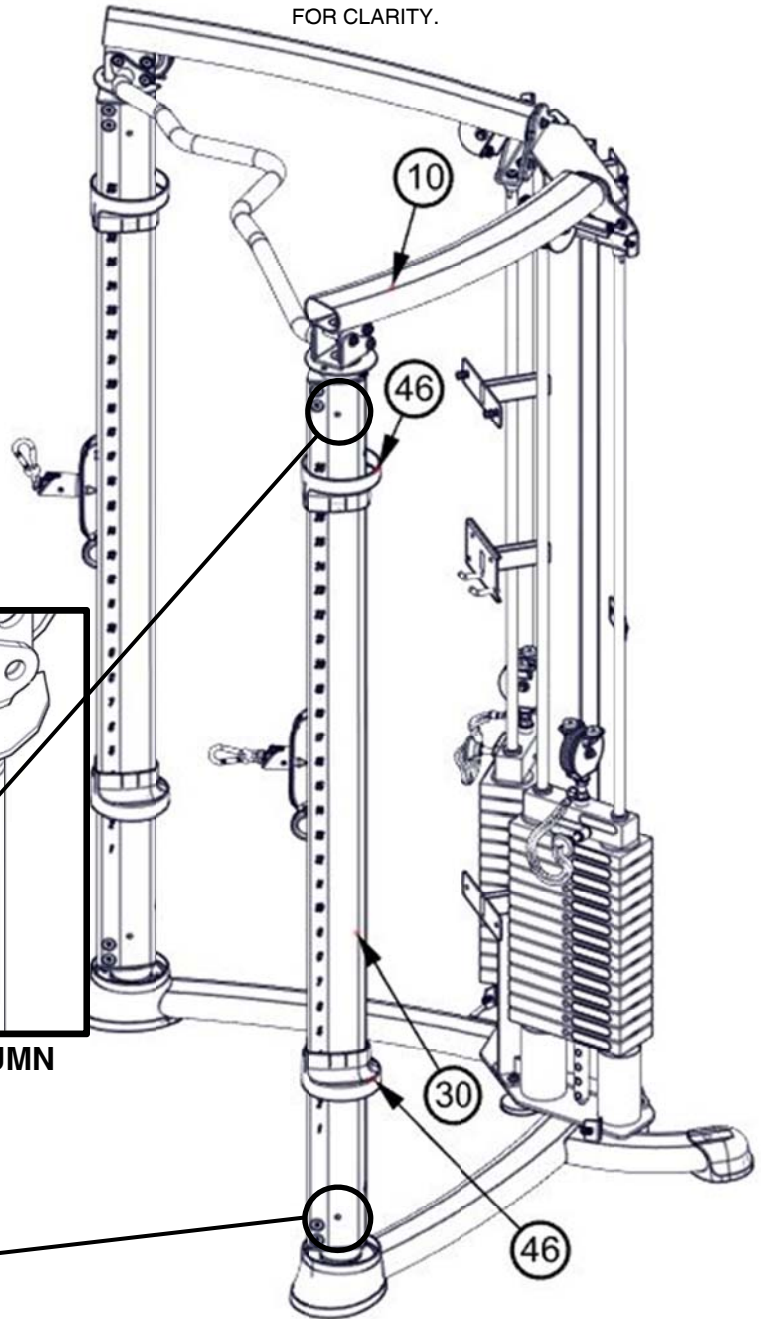
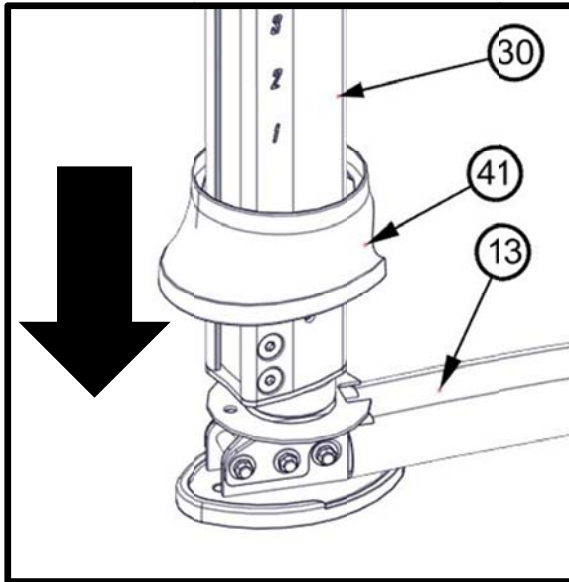
FRAME ASSEMBLY

STEP 1

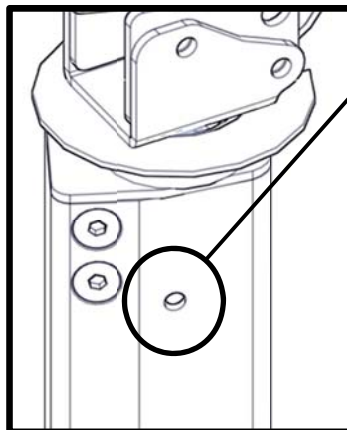
PUSH BOOT DOWN UNTIL IT SNAPS ON THE LOWER BEAM

NOTE:

- REPEAT ASSEMBLY FOR OPPOSITE SIDE.
- SOME PARTS MAY HAVE BEEN REMOVED FOR CLARITY.

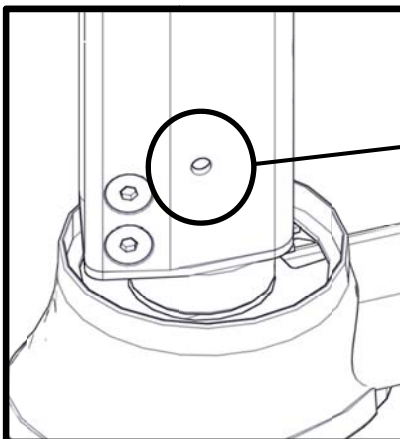


TAB ON SLEEVE



HOLE ON COLUMN

HOLE ON COLUMN



STEP 2
PUSH TOP SLEEVE UP (46)
AND BOTTOM SLEEVE DOWN (46)
UNTIL THE TABS ON THE SLEEVES
SNAP INTO THE HOLES ON
THE COLUMN

OWNER'S MANUAL

FRAME ASSEMBLY

NOTE:
ADJUST CABLE SO CABLE-END
REMAINS HANGING LOOSELY AS SHOWN

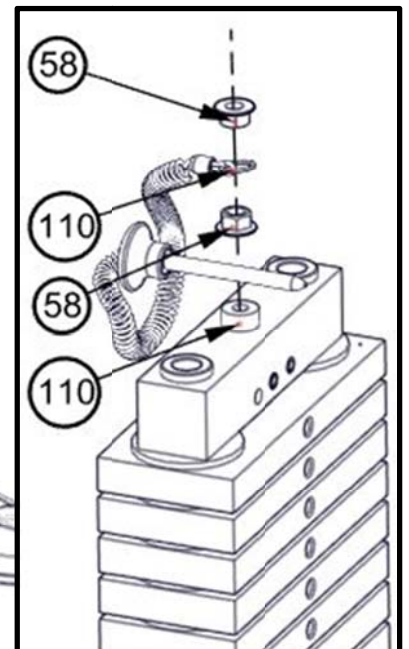
NOTE:

- WRENCH TIGHTEN HARDWARE.
- INSTALL CABLES AND PULLEYS AT THE SAME TIME.
- REPEAT ASSEMBLY FOR OPPOSITE SIDE.
- SOME PARTS MAY HAVE BEEN REMOVED FOR CLARITY.

NOTE:
LOOSEN JAM NUTS (58) AND
THREAD PULLEY MOUNT IN/OUT TO
GIVE THE CABLE PROPER TENSION.
RE-TIGHTEN JAM NUTS.

WARNING
CABLE BOLT (15) MUST BE
THREADED A MINIMUM OF
3/8" INTO THE TOP PLATE (110),
WITH JAM NUTS (58)
TIGHTENED SECURELY TO
ENSURE PROPER CONNECTION.

NOTE:
INSERT LANYARD RING (110)
BETWEEN JAM NUTS (58)

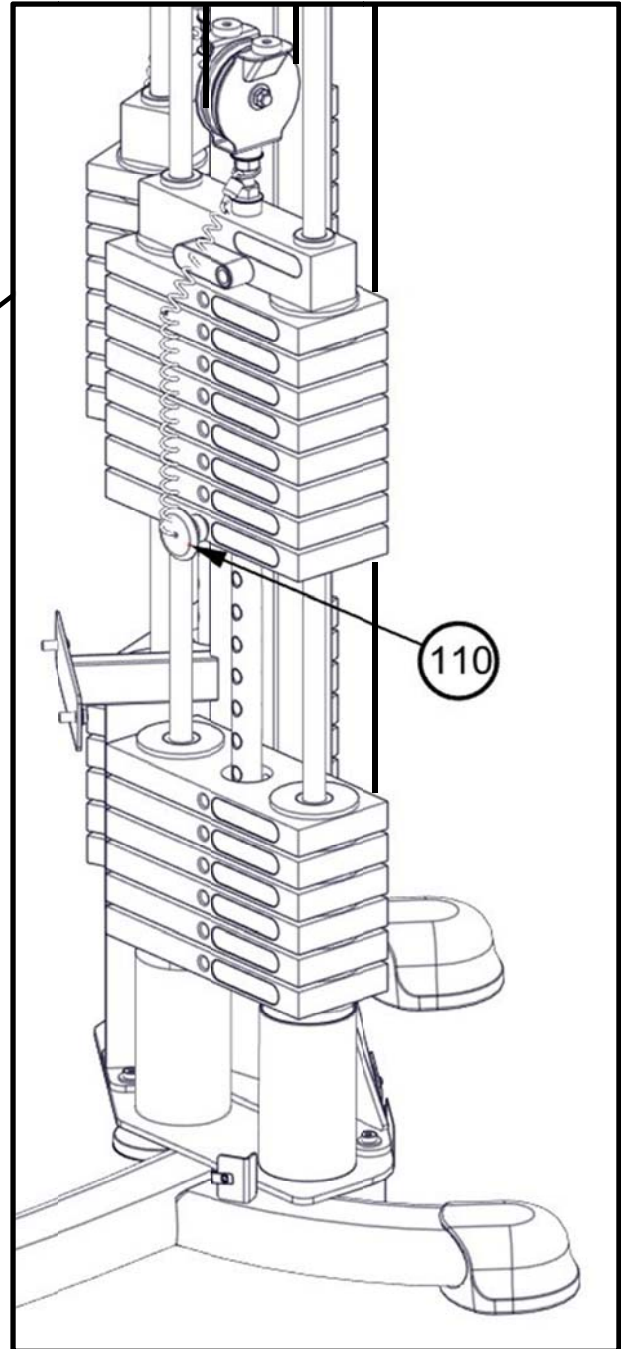
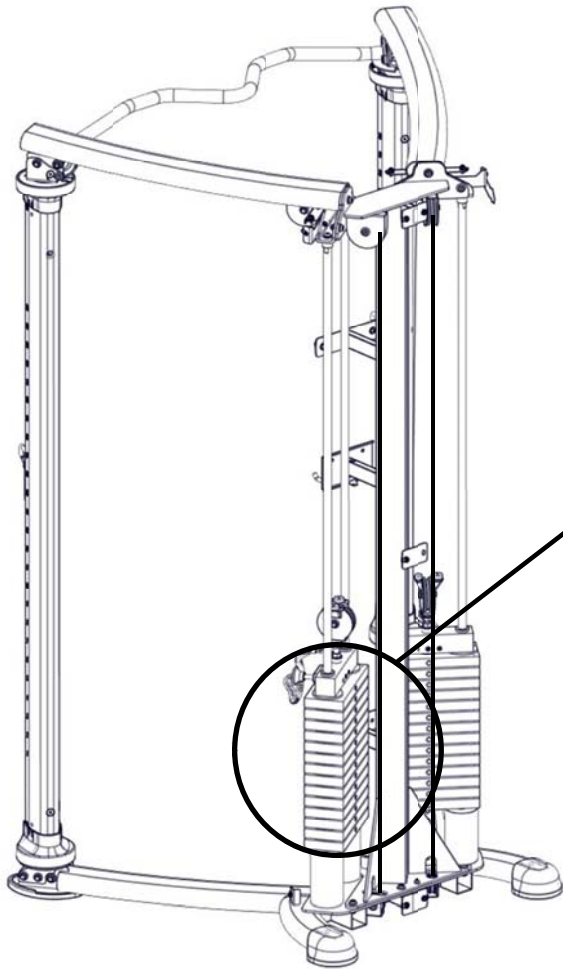


OWNER'S MANUAL

FRAME ASSEMBLY

NOTE:

- REPEAT FOR OPPOSITE SIDE
- SOME PARTS MAY HAVE BEEN REMOVED FOR CLARITY.



IMPORTANT:

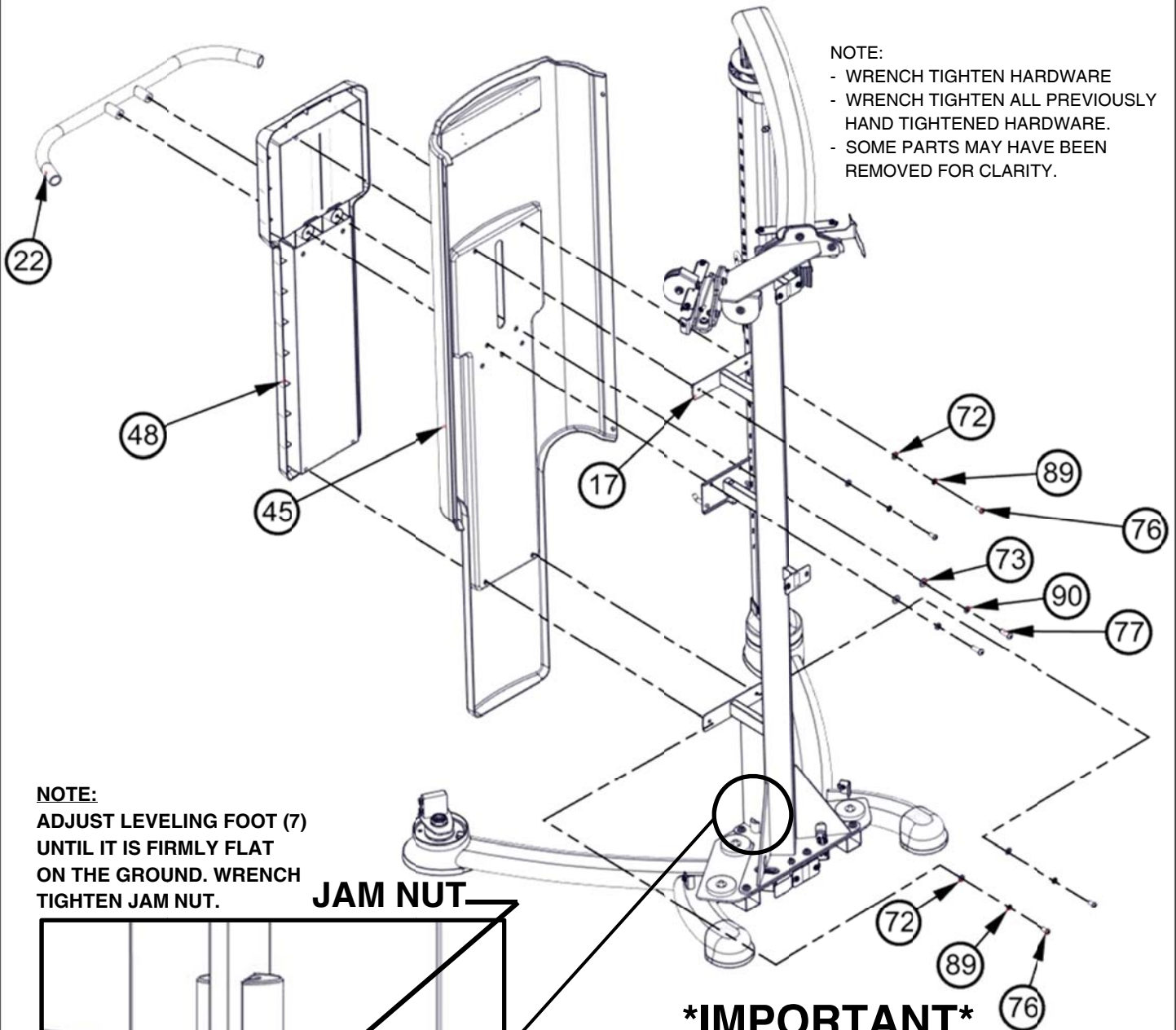
HAVE A SECOND PERSON INSERT THE WEIGHT PIN (110) INTO THE NINTH PLATE OF THE WEIGHT STACK. USING THE CABLE END IN THE FRONT OF THE COLUMN, PULL THE WEIGHT STACK UP ABOUT 18 INCHES AND HOLD IT THERE UNTIL THE ASSEMBLY ON PAGE 33 IS COMPLETE. REPEAT FOR OPPOSITE SIDE.

OWNER'S MANUAL

FRAME ASSEMBLY

NOTE:

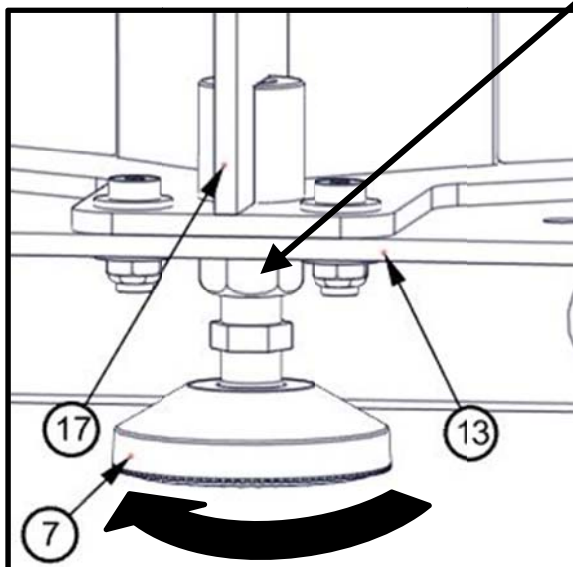
- WRENCH TIGHTEN HARDWARE
- WRENCH TIGHTEN ALL PREVIOUSLY HAND TIGHTENED HARDWARE.
- SOME PARTS MAY HAVE BEEN REMOVED FOR CLARITY.



NOTE:

ADJUST LEVELING FOOT (7) UNTIL IT IS FIRMLY FLAT ON THE GROUND. WRENCH TIGHTEN JAM NUT.

JAM NUT



IMPORTANT

WRENCH TIGHTEN ALL PREVIOUSLY HAND TIGHTENED HARDWARE

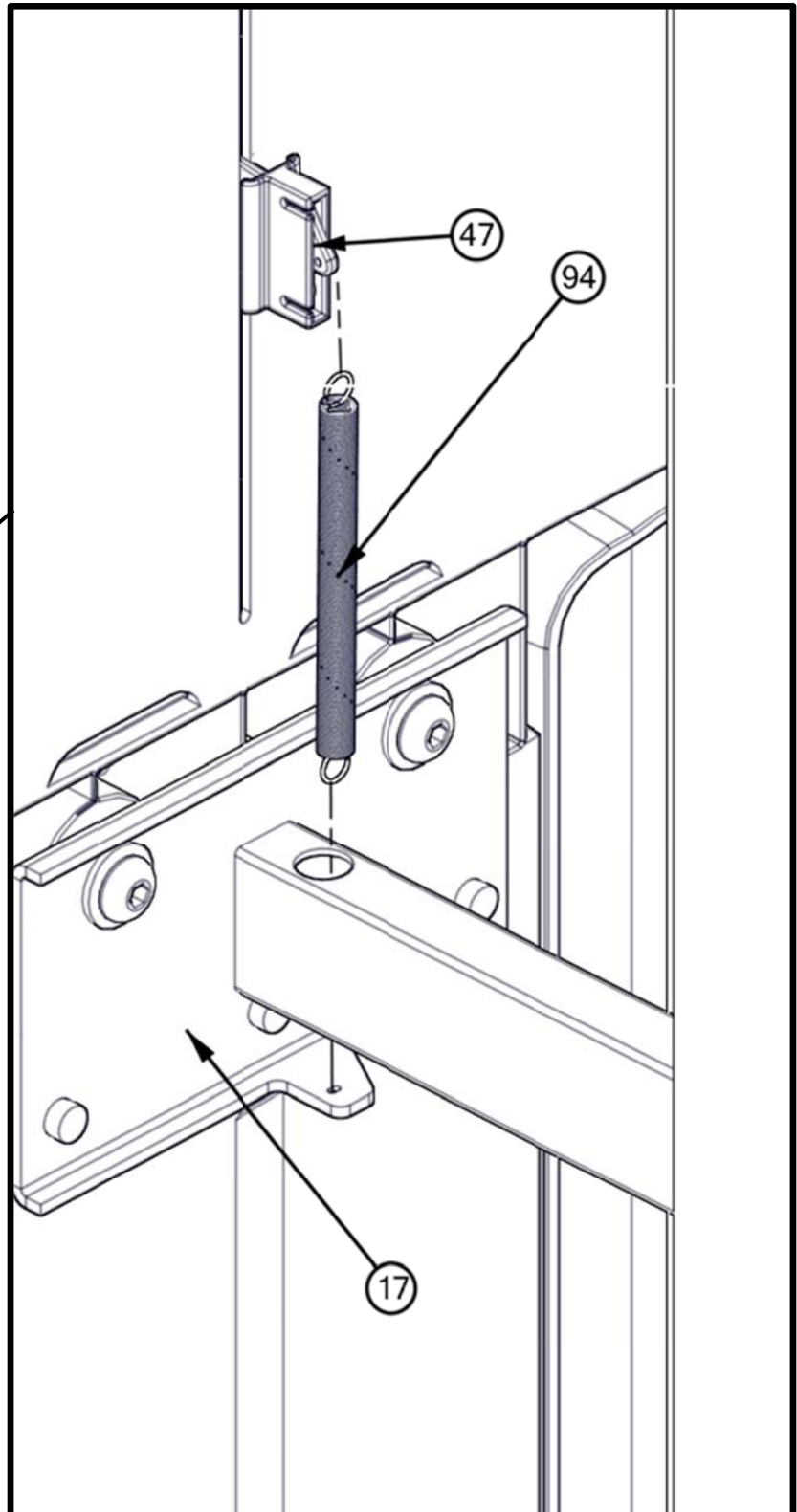
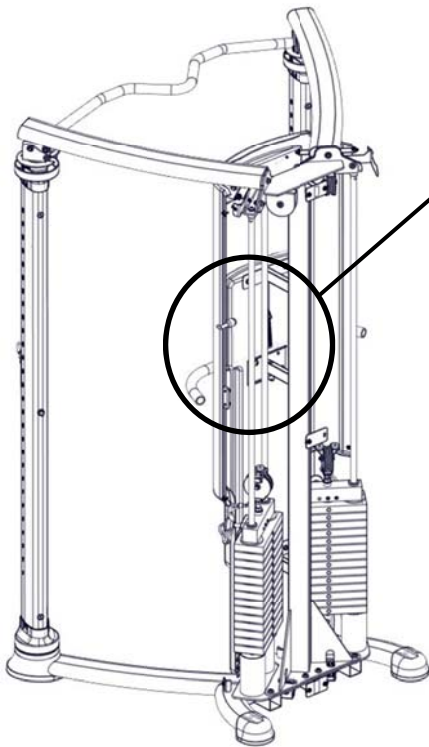
AT THIS STEP, TAKE TIME TO ASSURE THAT YOUR UNIT IS ASSEMBLED SQUARE AND PERPENDICULAR. USE A LEVEL TO CHECK THAT THE GUIDE RODS ARE PERPENDICULAR IN BOTH DIRECTIONS. IF THEY ARE NOT PERPENDICULAR IN BOTH DIRECTIONS, IT WILL BE NECESSARY TO LOOSEN SOME FRAME HARDWARE TO RE-ALIGN THE FRAME AND RETIGHTEN BOLTS.

OWNER'S MANUAL

FRAME ASSEMBLY

NOTE:

- INSERT END OF SPRING (94) INTO HOLE IN THE END OF CATCH (47)
- INSERT END OF SPRING (94) INTO HOLE IN BACKBONE ASSEMBLY (17)
- SOME PARTS MAY HAVE BEEN REMOVED FOR CLARITY.

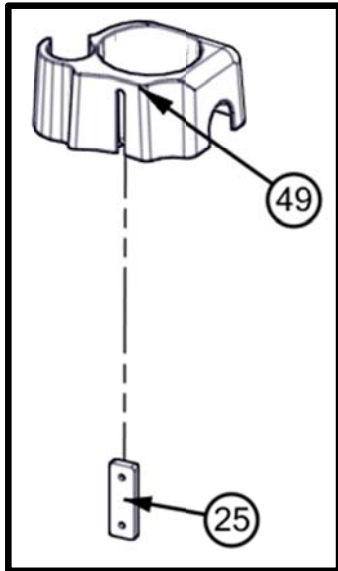


IMPORTANT:

ENSURE THAT THIS STEP IS PERFORMED NOW. THE SPRING CANNOT BE ASSEMBLED AFTER THIS STEP.

OWNER'S MANUAL

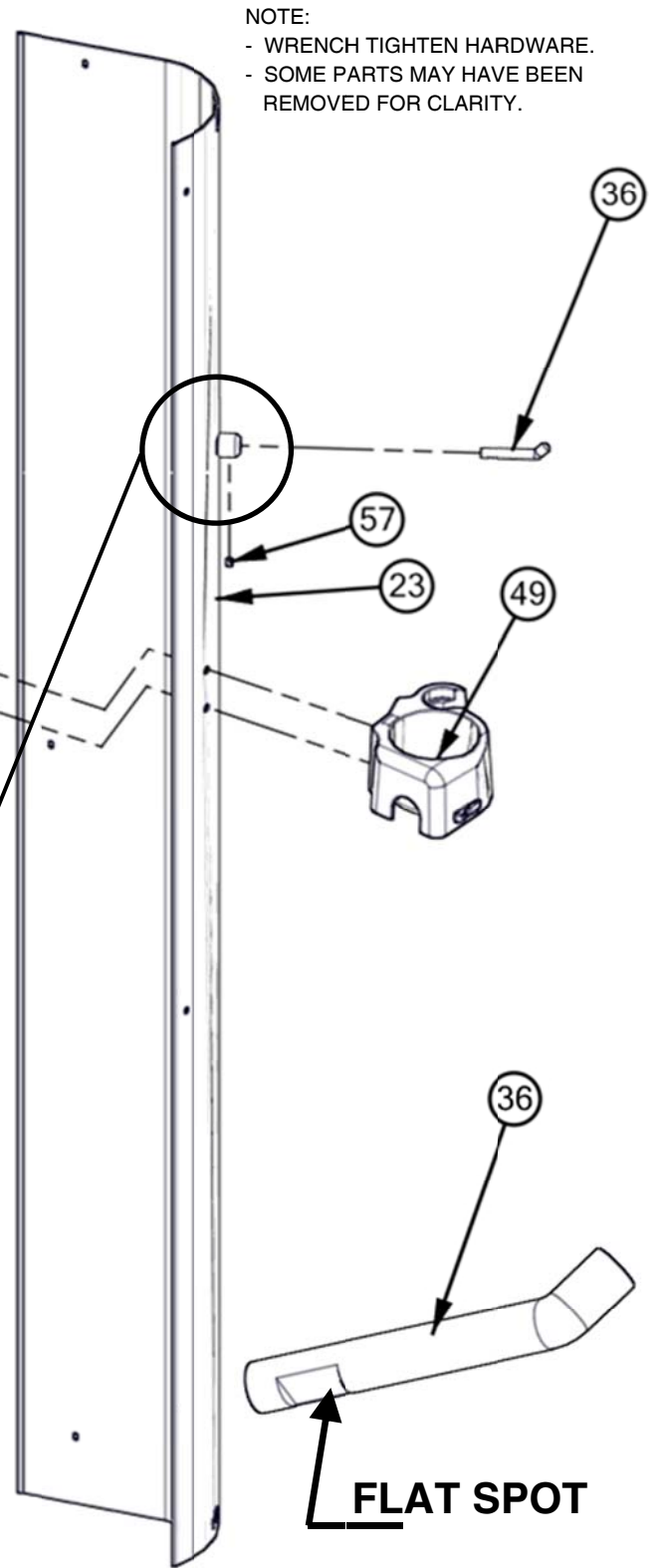
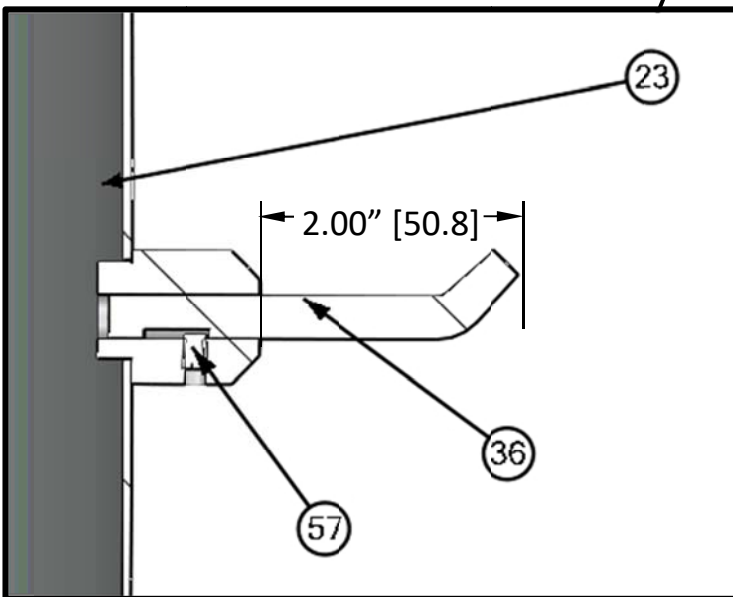
FRAME ASSEMBLY



STEP 1

NOTE:

ADJUST THE HANGER (36) SO THAT IT POINTS UPWARDS. WHEN FULLY INSERTED, THE VISIBLE PORTION OF THE HANGER WILL EXTEND 2" FROM THE SHEILD (SEE BELOW). THIS ENSURES THAT THE SET SCREW (57) IS TIGHTENED INTO THE FLAT SPOT ON THE HANGER.



NOTE:

- WRENCH TIGHTEN HARDWARE.
- SOME PARTS MAY HAVE BEEN REMOVED FOR CLARITY.

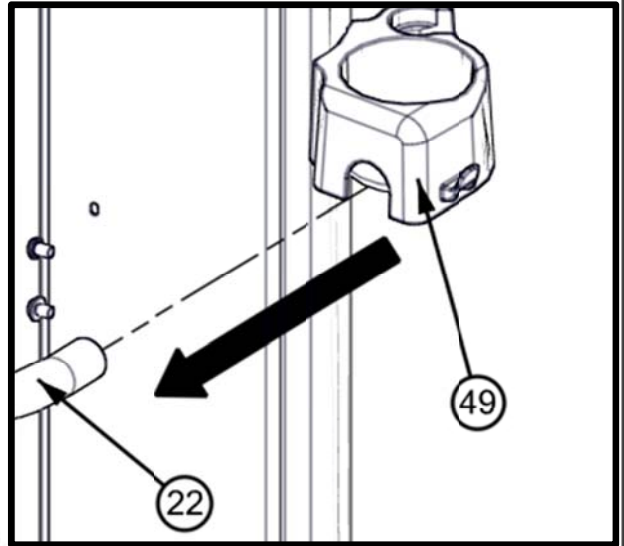
STEP 2

OWNER'S MANUAL

FRAME ASSEMBLY

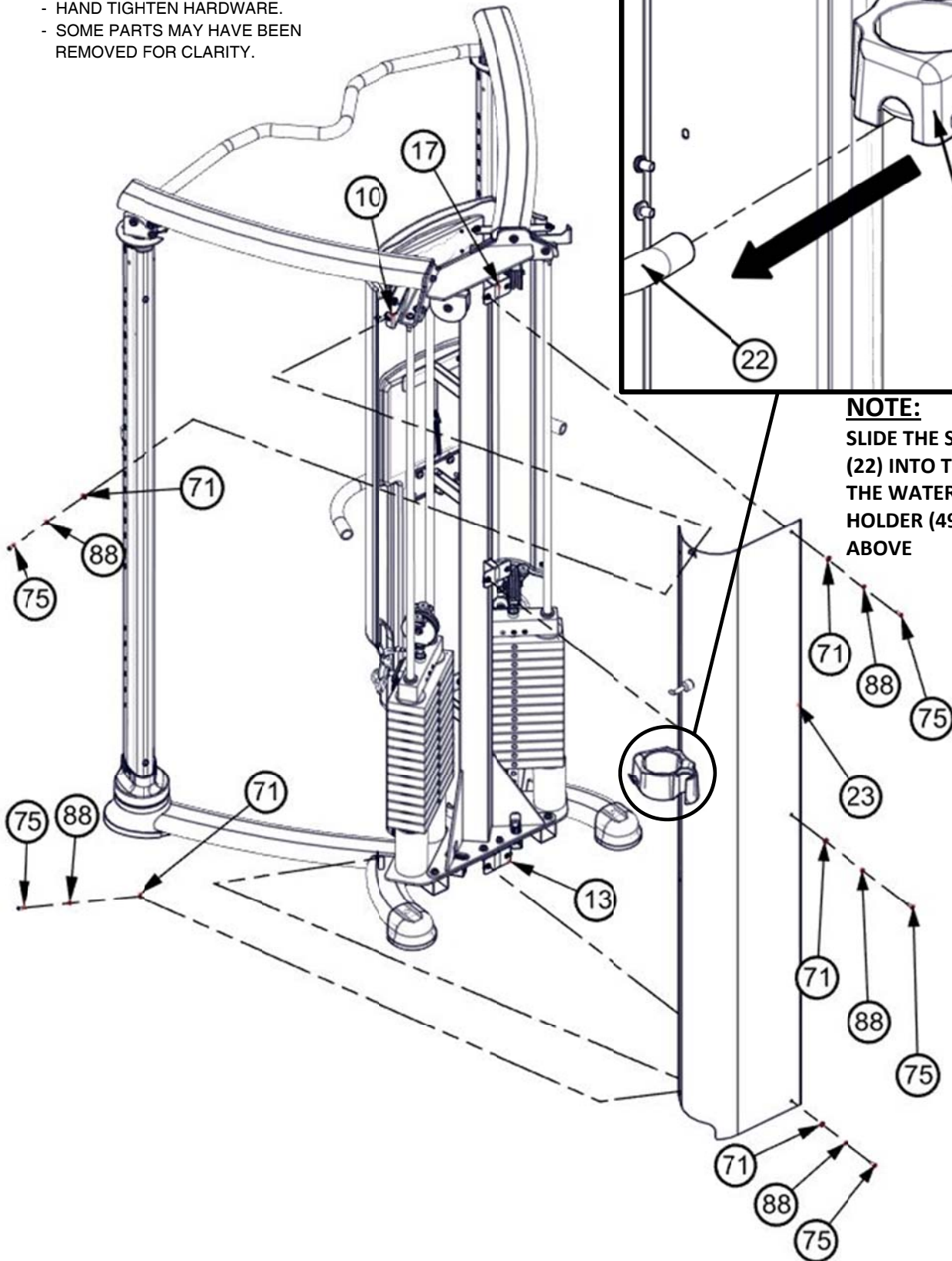
NOTE:

- HAND TIGHTEN HARDWARE.
- SOME PARTS MAY HAVE BEEN REMOVED FOR CLARITY.



NOTE:

SLIDE THE STABILITY BAR (22) INTO THE HOLE ON THE WATER BOTTLE HOLDER (49), AS SHOWN ABOVE

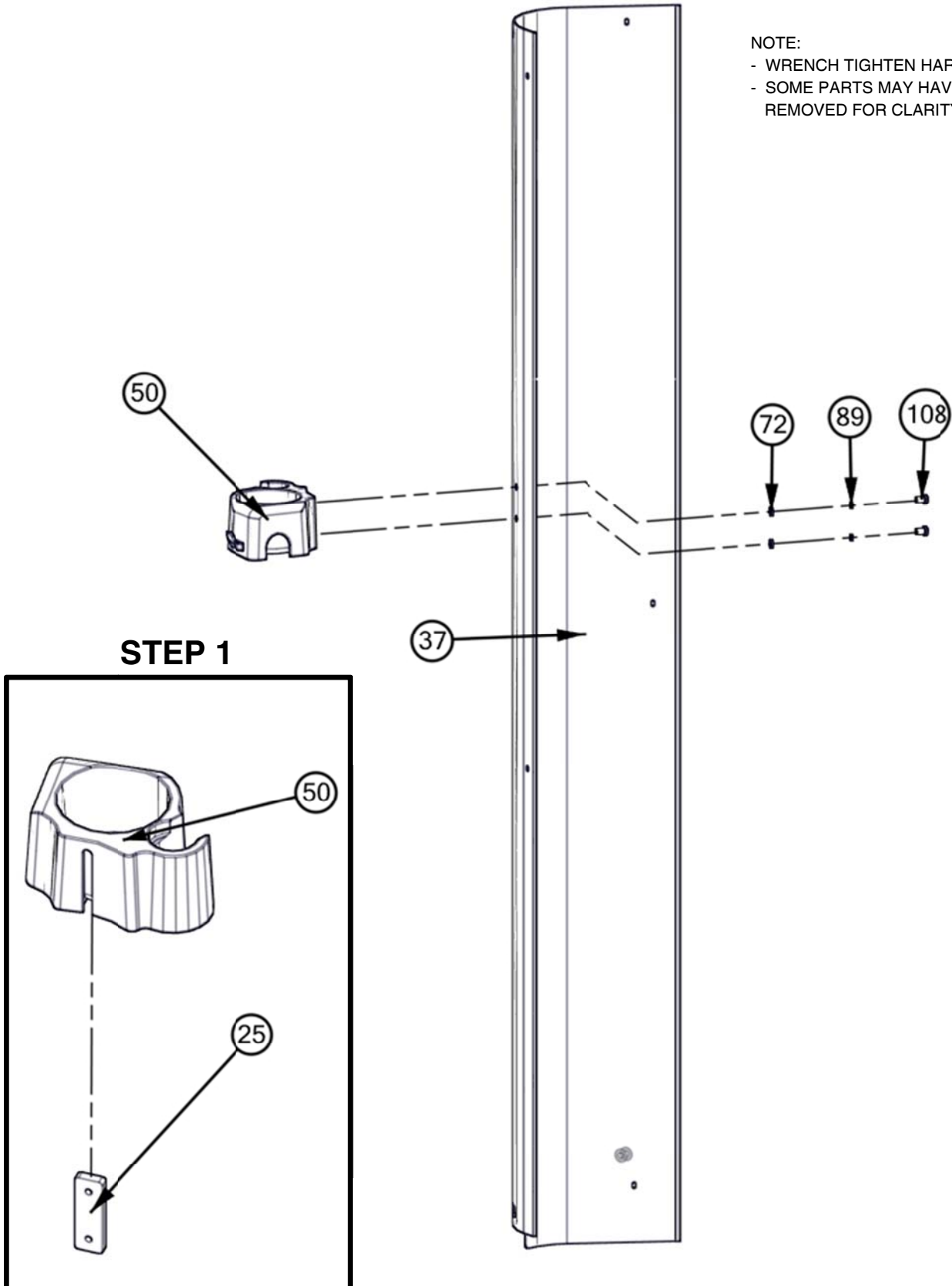


OWNER'S MANUAL

FRAME ASSEMBLY

NOTE:

- WRENCH TIGHTEN HARDWARE.
- SOME PARTS MAY HAVE BEEN REMOVED FOR CLARITY.

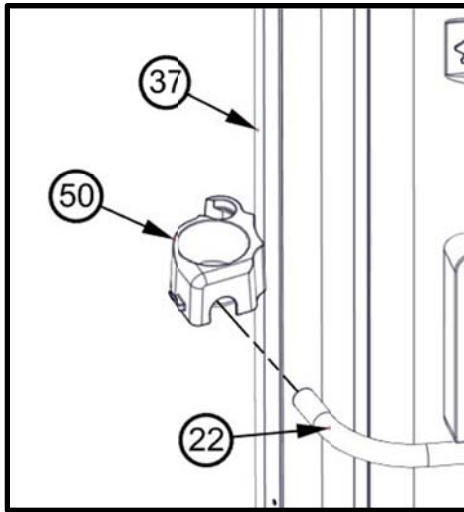


OWNER'S MANUAL

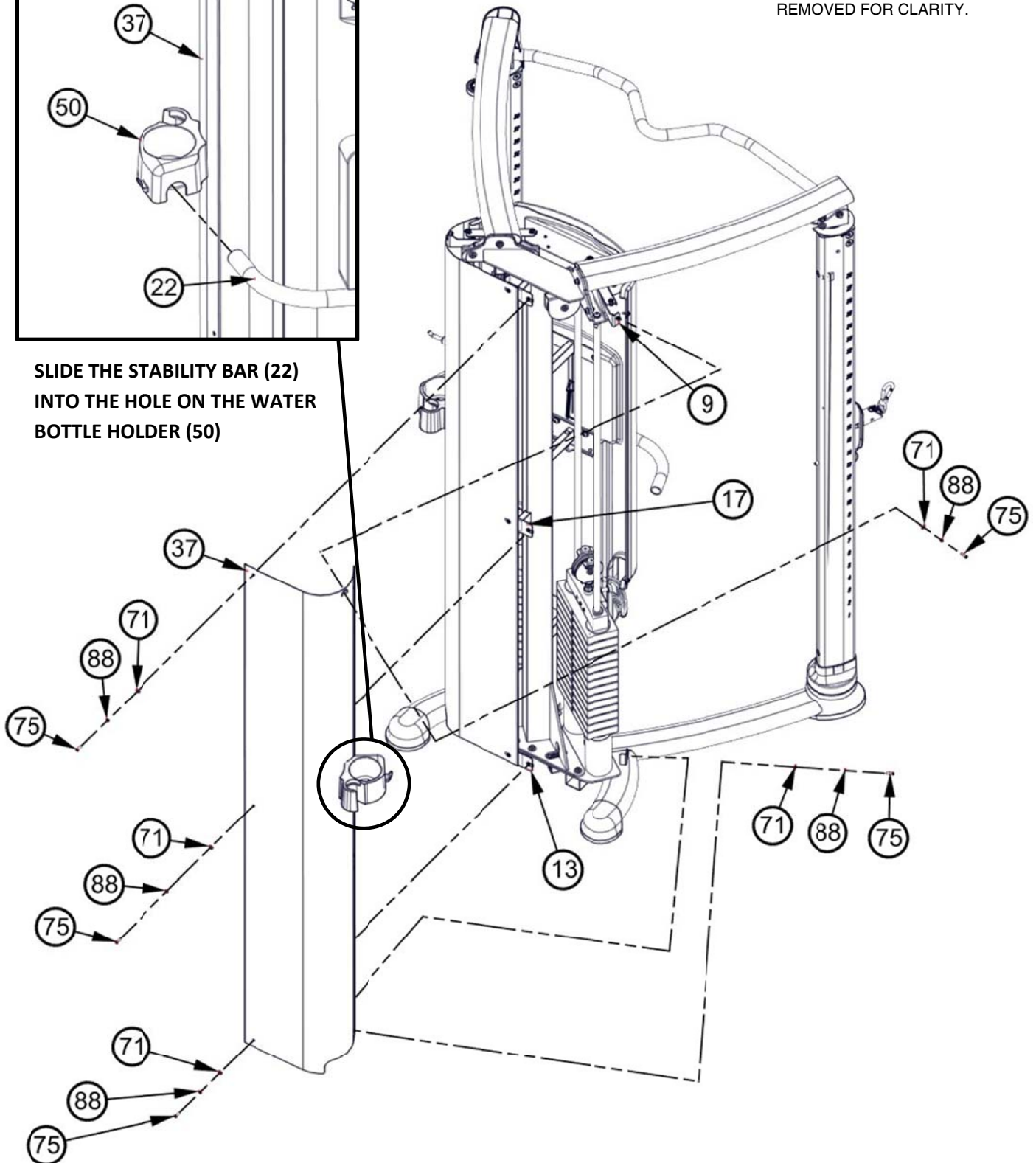
FRAME ASSEMBLY

NOTE:

- HAND TIGHTEN HARDWARE.
- SOME PARTS MAY HAVE BEEN REMOVED FOR CLARITY.



SLIDE THE STABILITY BAR (22)
INTO THE HOLE ON THE WATER
BOTTLE HOLDER (50)

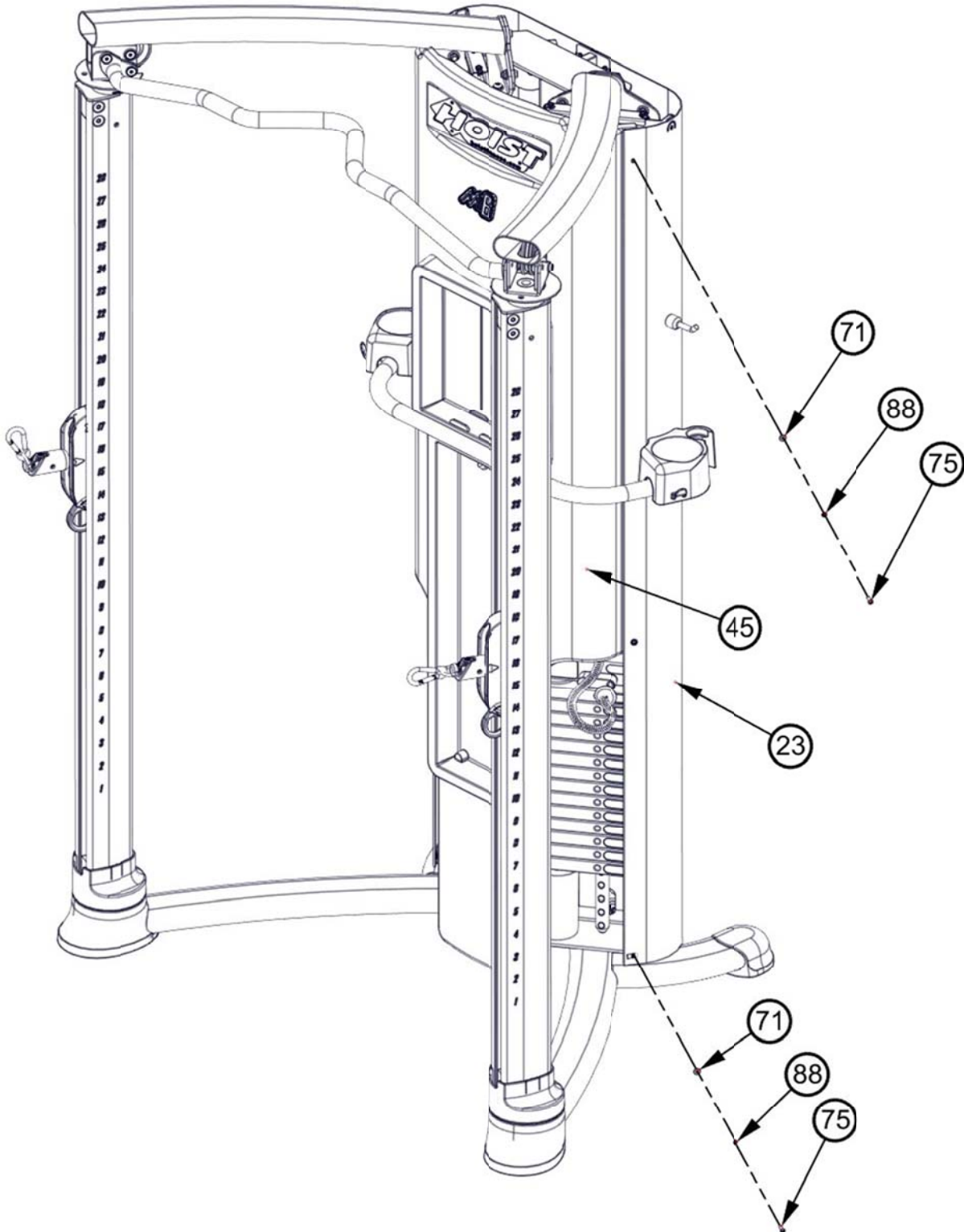


OWNER'S MANUAL

FRAME ASSEMBLY

NOTE:

- HAND TIGHTEN HARDWARE.
- SOME PARTS MAY HAVE BEEN REMOVED FOR CLARITY.

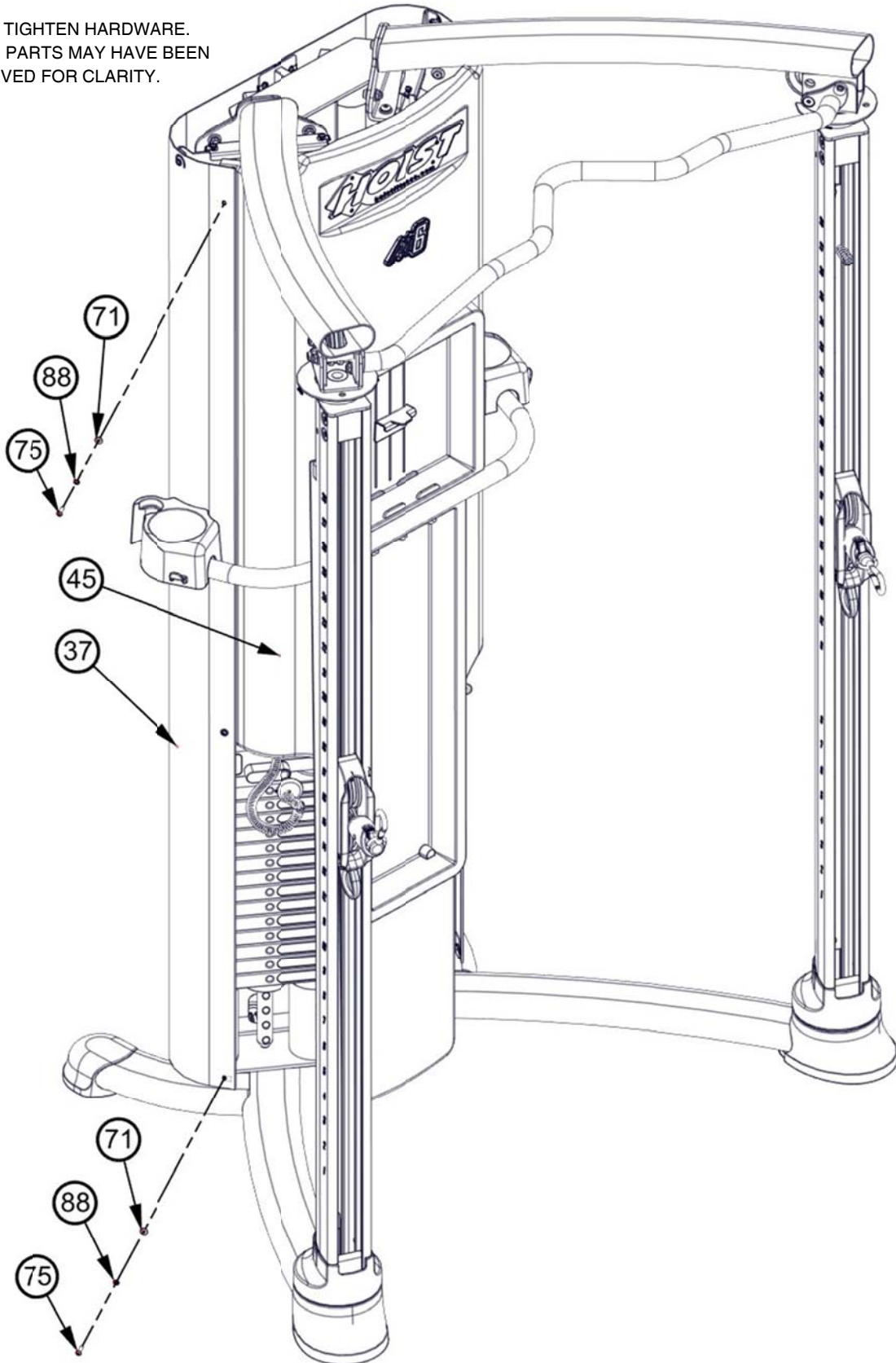


OWNER'S MANUAL

FRAME ASSEMBLY

NOTE:

- HAND TIGHTEN HARDWARE.
- SOME PARTS MAY HAVE BEEN REMOVED FOR CLARITY.

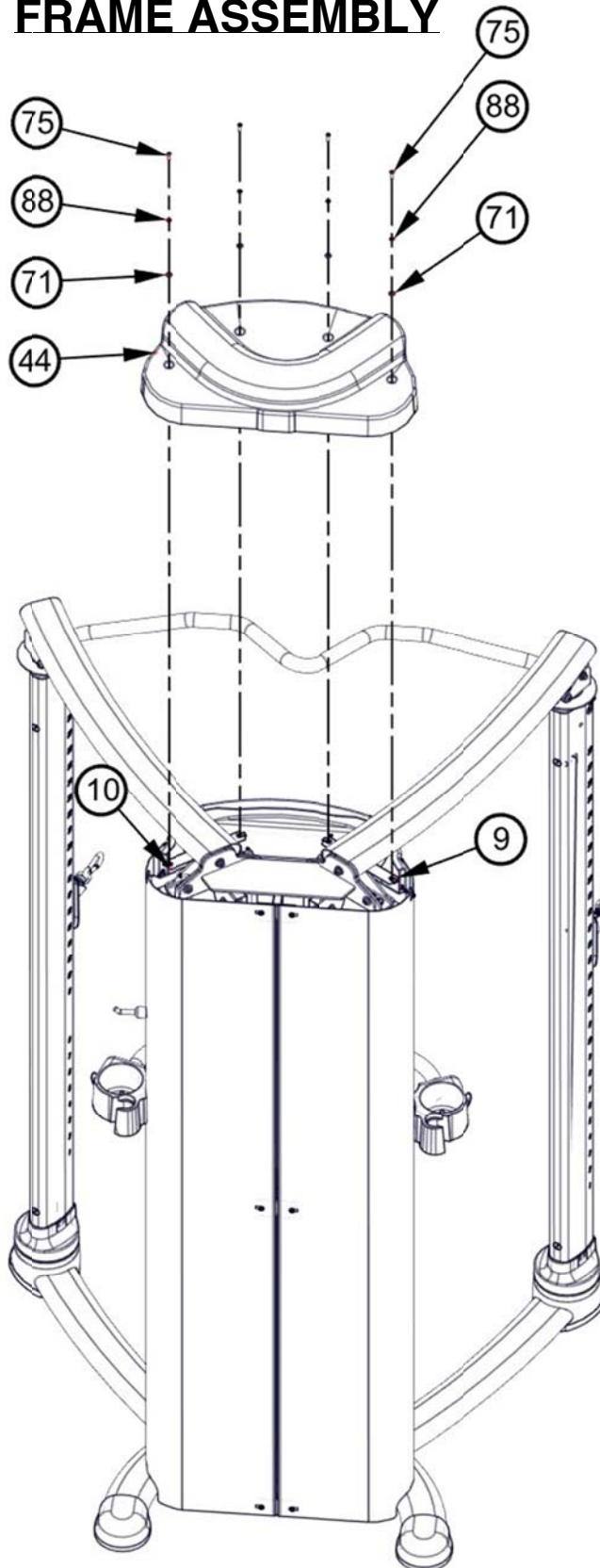


OWNER'S MANUAL

FRAME ASSEMBLY

NOTE:

- WRENCH TIGHTEN HARDWARE.
- WRENCH TIGHTEN ALL PREVIOUSLY HAND TIGHTENED HARDWARE.
- SOME PARTS MAY HAVE BEEN REMOVED FOR CLARITY.



WRENCH TIGHTEN ALL PREVIOUSLY HAND TIGHTENED HARDWARE

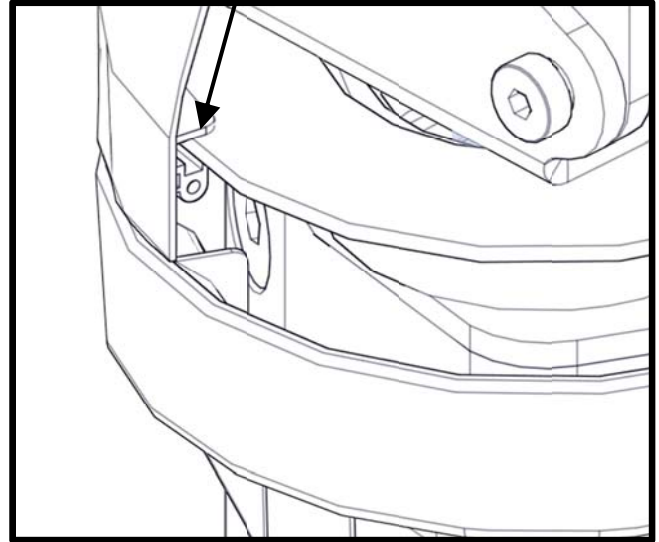
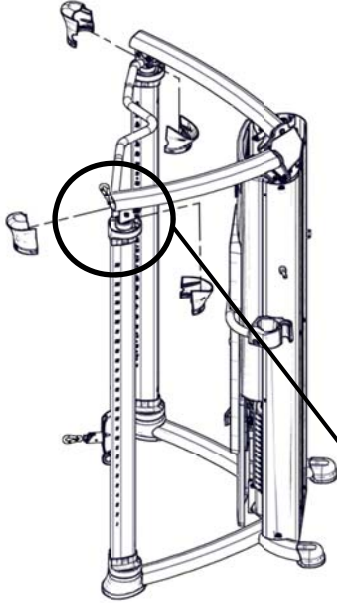
OWNER'S MANUAL

FRAME ASSEMBLY

NOTE:

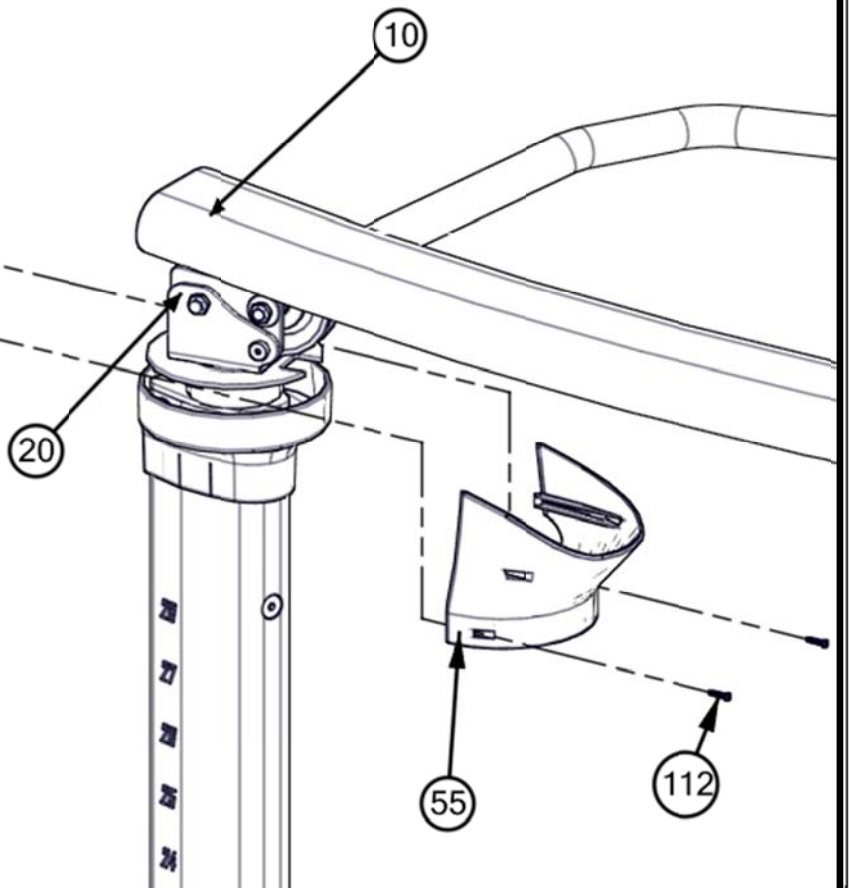
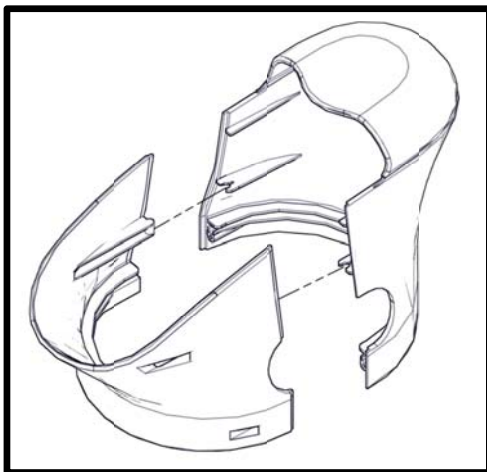
- SOME PARTS MAY HAVE BEEN REMOVED FOR CLARITY.
- TIGHTEN SCREWS (112) WITH PHILLIPS HEAD SCREWDRIVER

IMPORTANT
ENSURE THAT THE SPINDLE
PLATE SLIDES BETWEEN THE
TABS ON THE BOOT, AS
SHOWN



NOTE:

ENSURE THAT THE
KNOB PINS ON THE
BOOT SNAP INTO THE
HOLDERS ON THE
OPPOSITE BOOT,
AS SHOWN BELOW



OWNER'S MANUAL

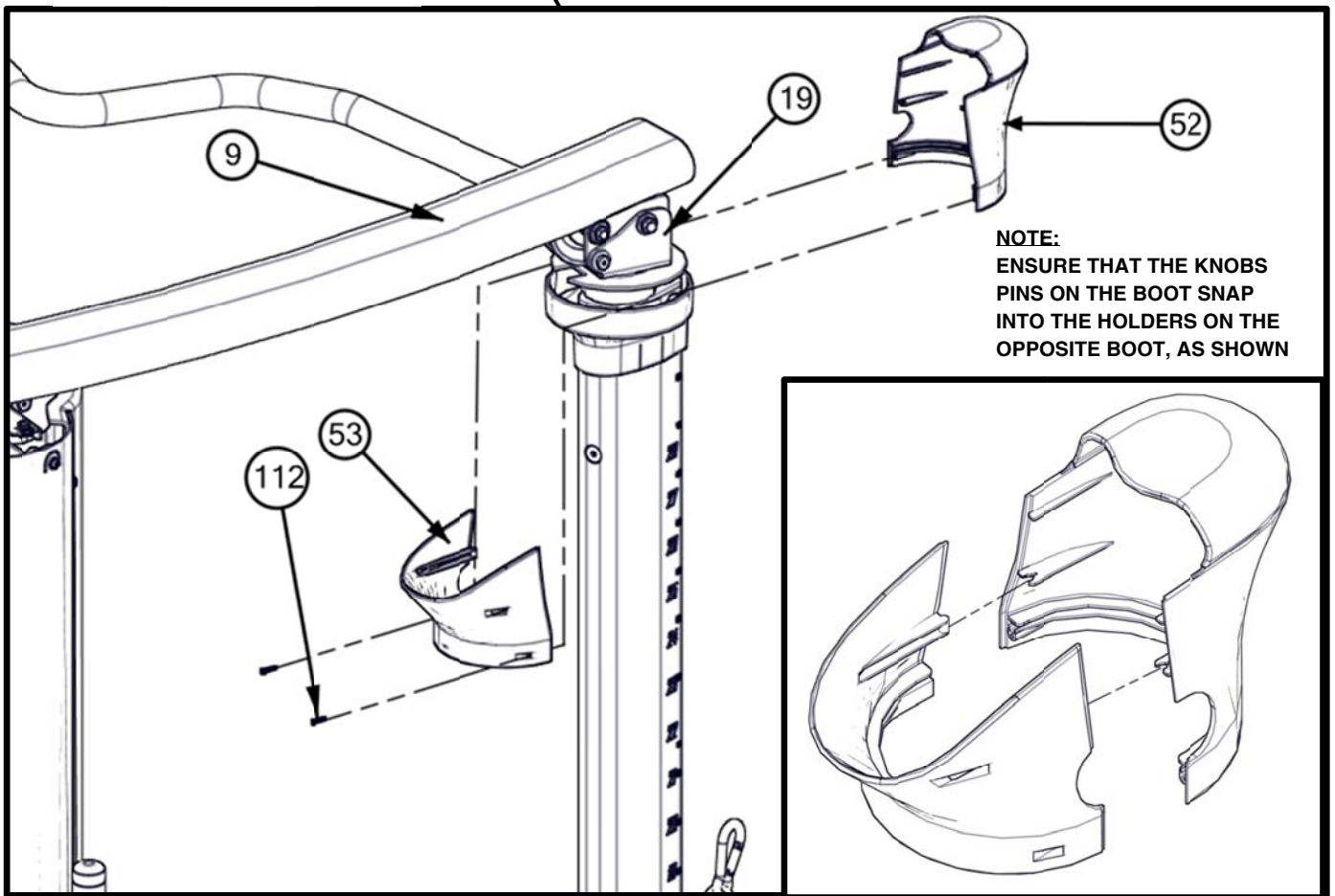
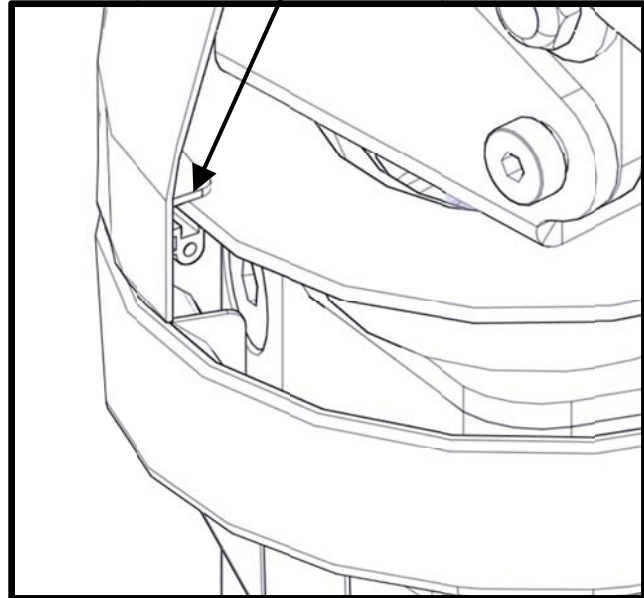
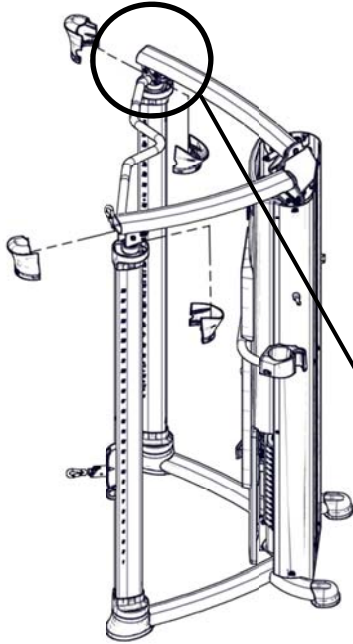
FRAME ASSEMBLY

NOTE:

- SOME PARTS MAY HAVE BEEN REMOVED FOR CLARITY
- TIGHTEN SCREWS (112) WITH PHILLIPS HEAD SCREWDRIVER

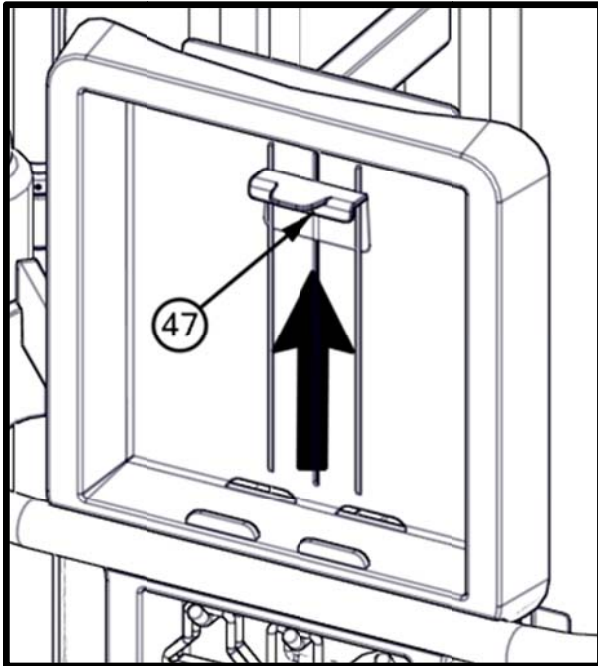
IMPORTANT

ENSURE THAT THE SPINDLE PLATE SLIDES BETWEEN THE TABS ON THE BOOT, AS SHOWN

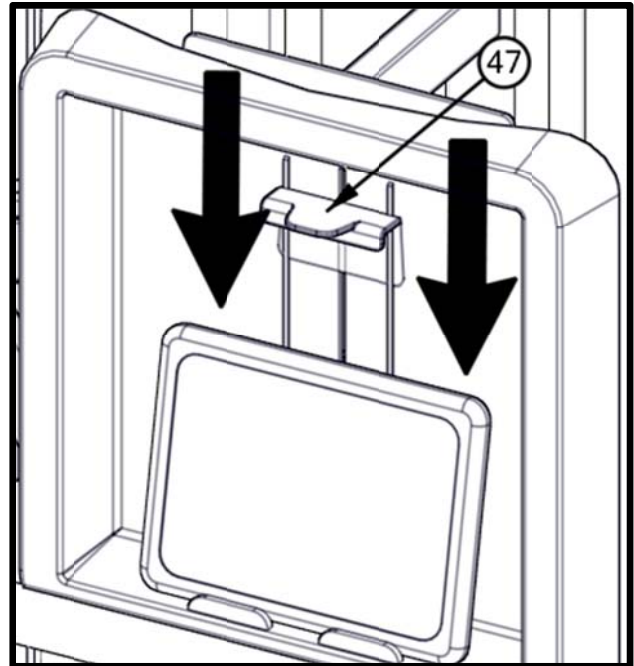


OWNER'S MANUAL

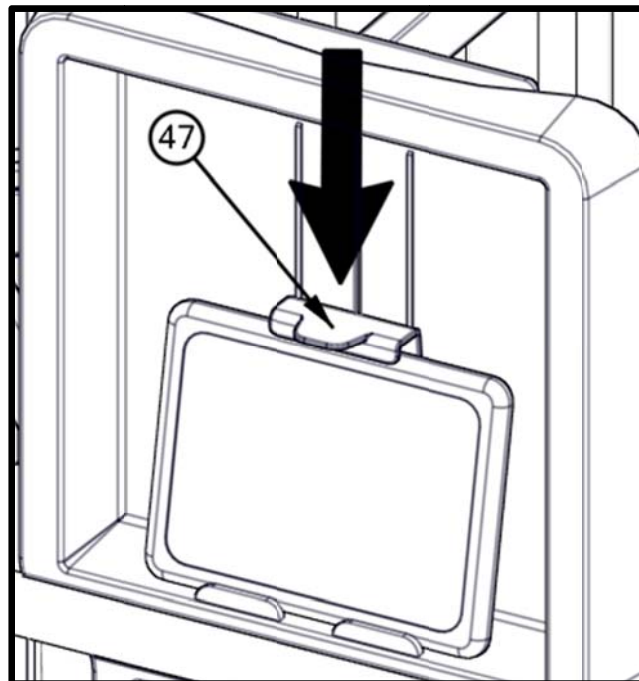
TABLET/ PHONE MOUNT ASSEMBLY



STEP 1: LIFT CATCH



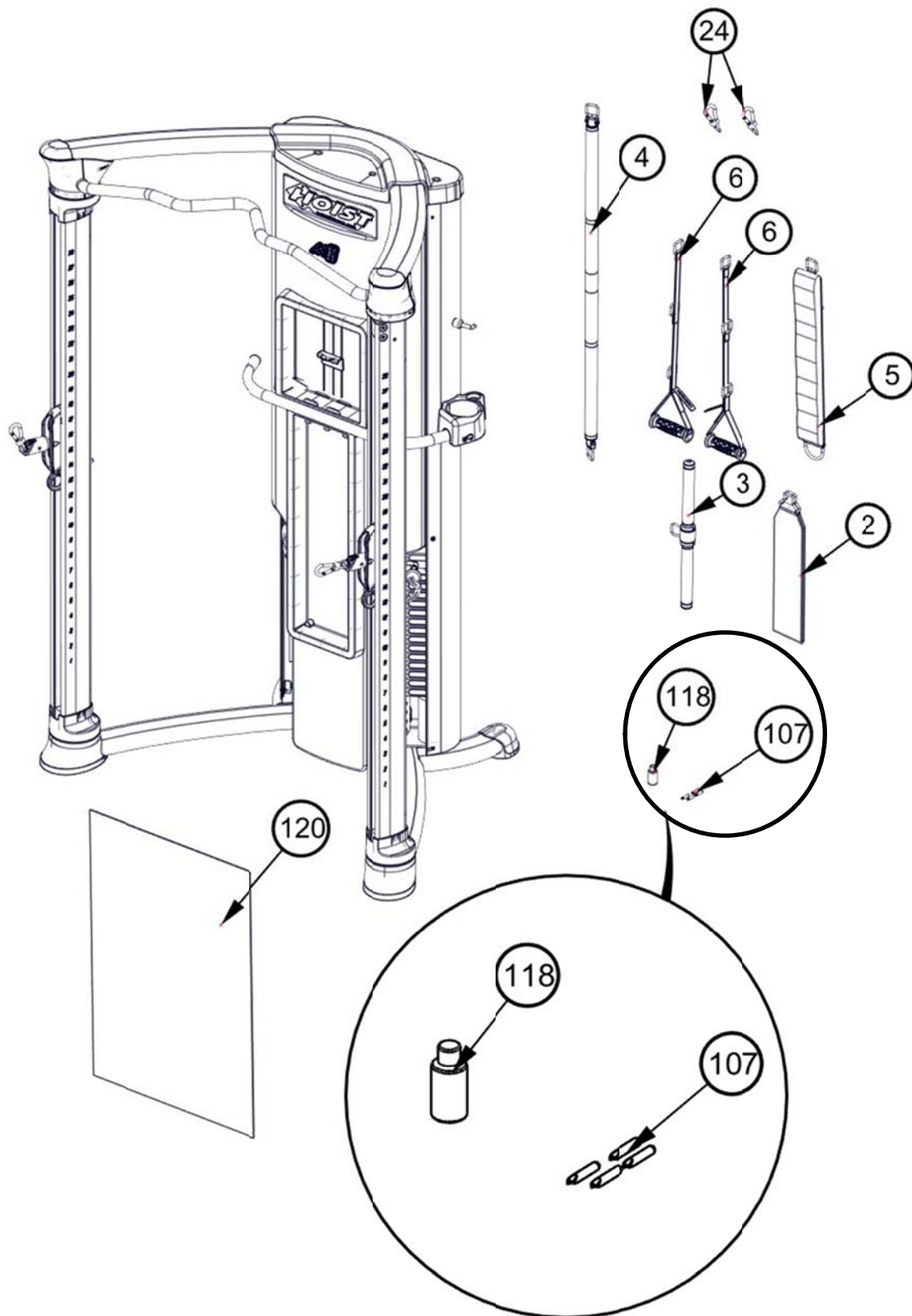
**STEP 2: INSERT TABLET
OR PHONE**



STEP 3: PULL DOWN THE CATCH

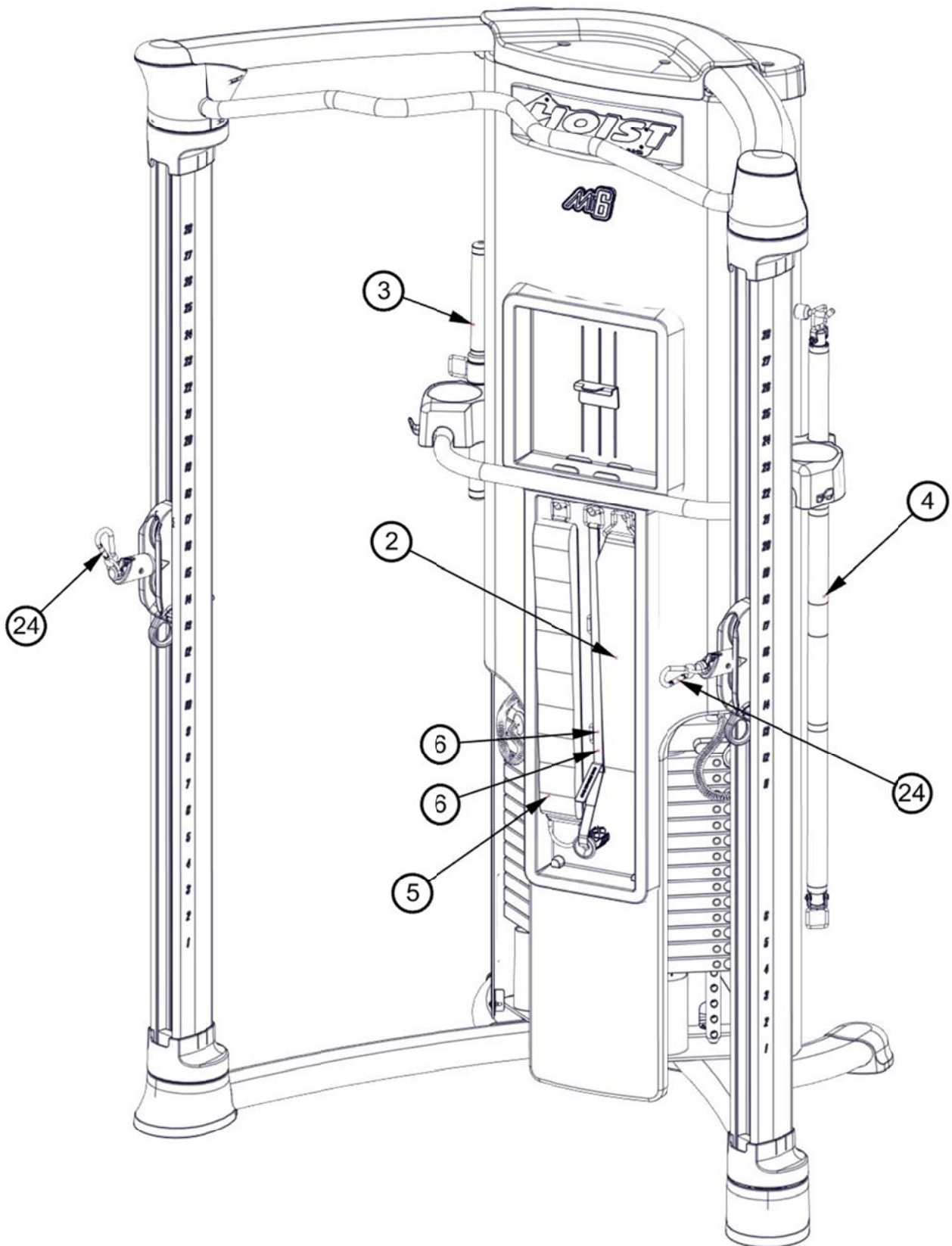
OWNER'S MANUAL

ACCESSORIES



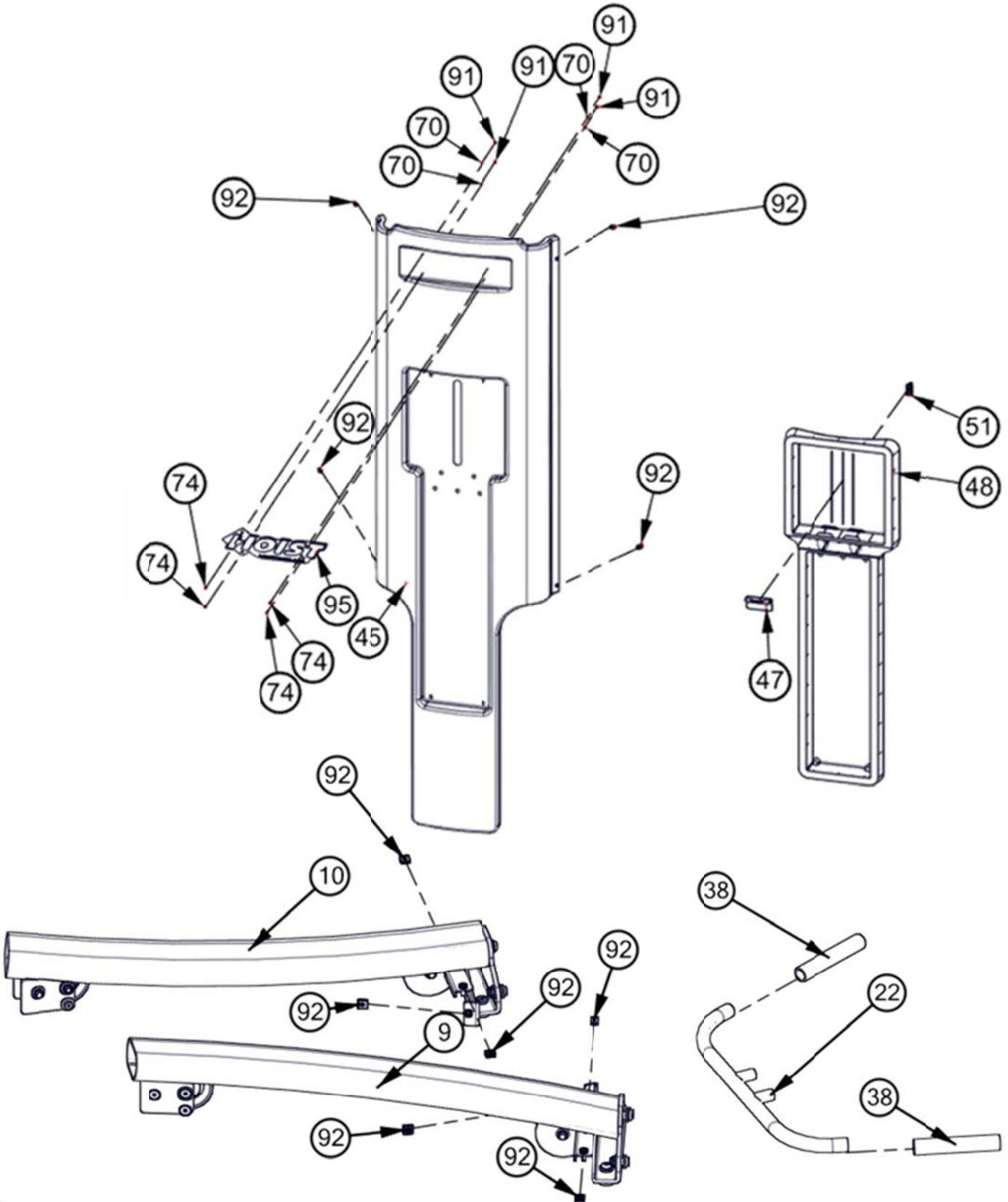
OWNER'S MANUAL

ACCESSORIES (ASSEMBLED)



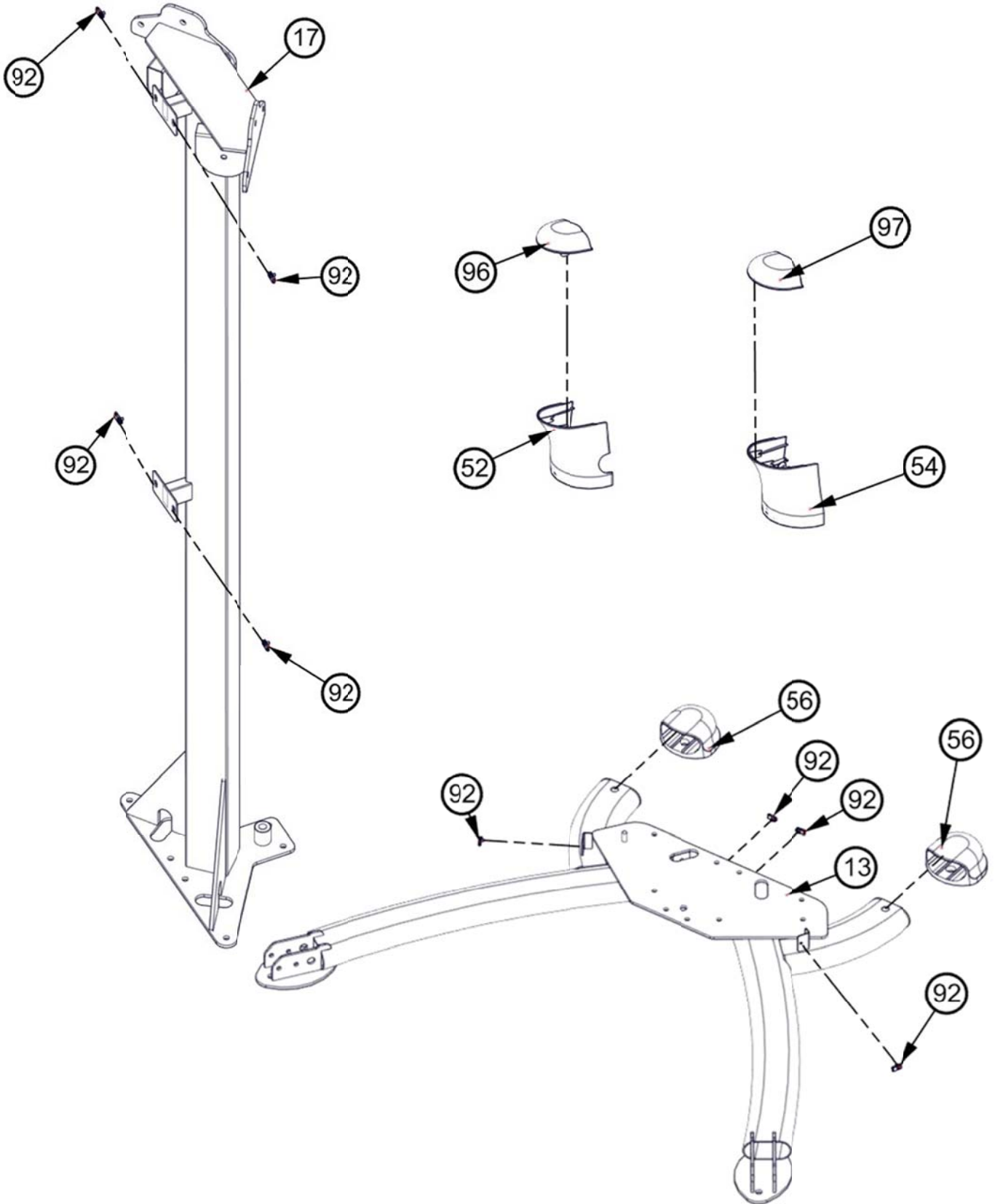
OWNER'S MANUAL

PRE-ASSEMBLY



OWNER'S MANUAL

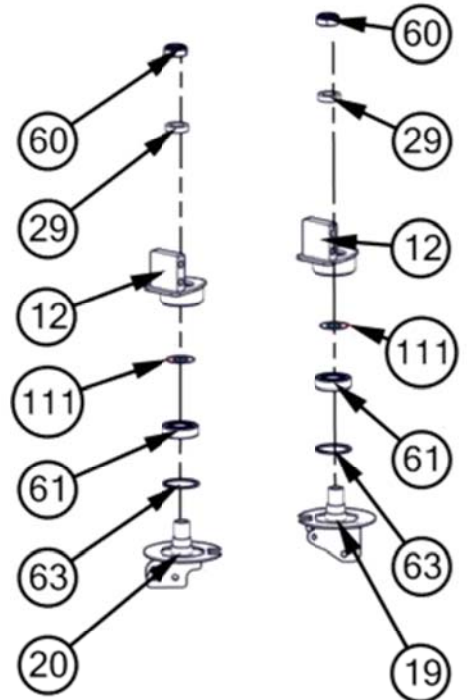
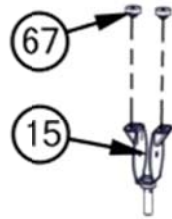
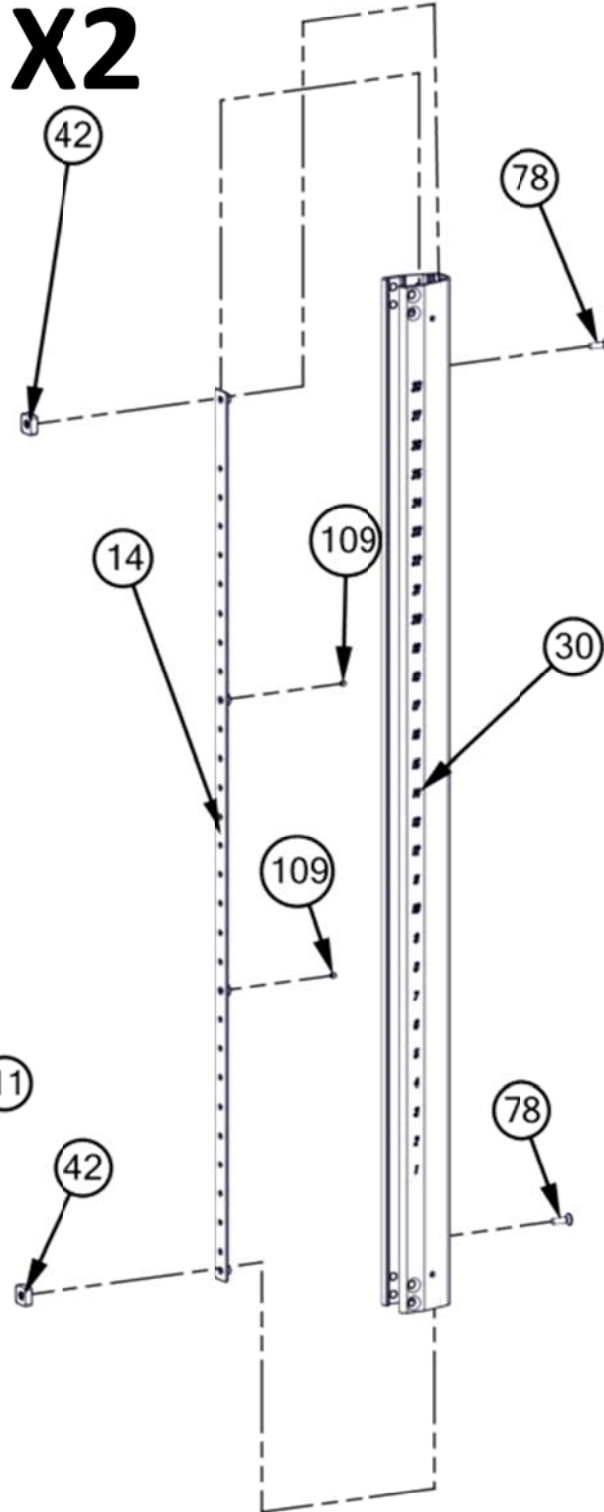
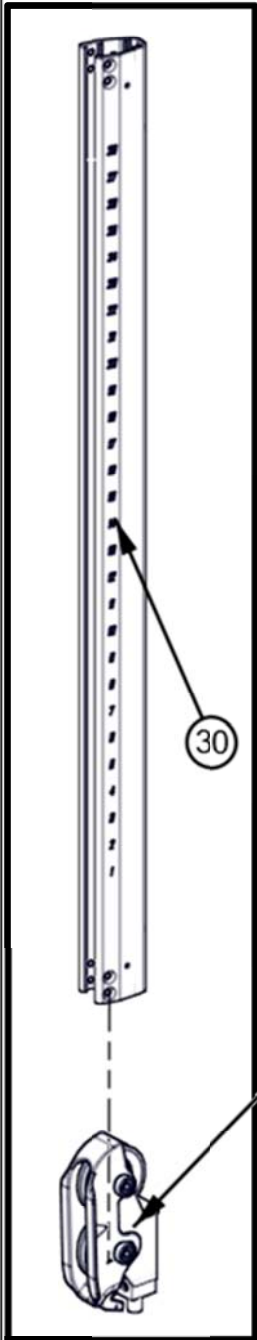
PRE-ASSEMBLY



OWNER'S MANUAL

PRE-ASSEMBLY CONTINUED

X2



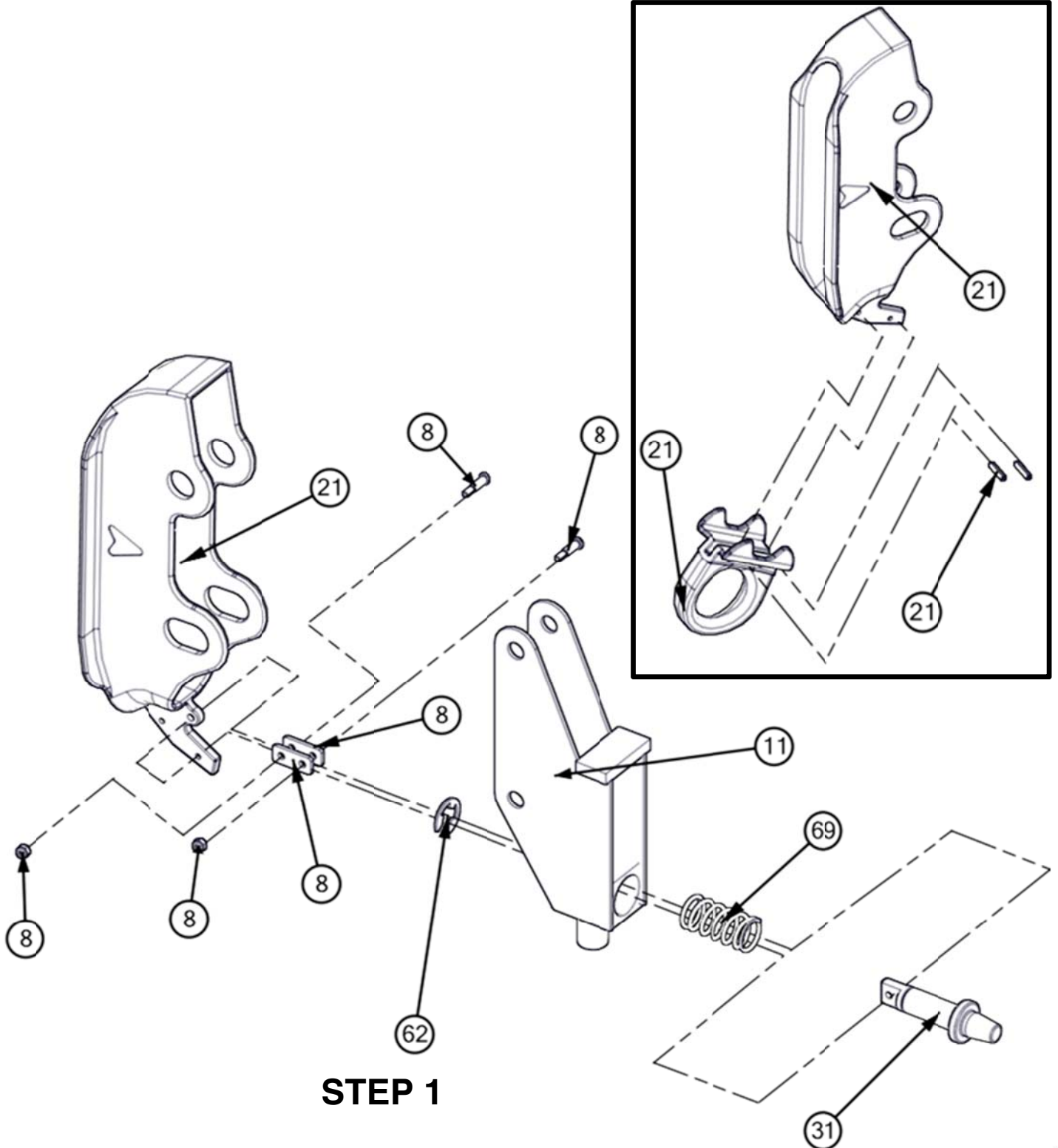
OWNER'S MANUAL

PRE-ASSEMBLY CONTINUED

X2

STEP 2

SEE PAGE 51 FOR STEP 3

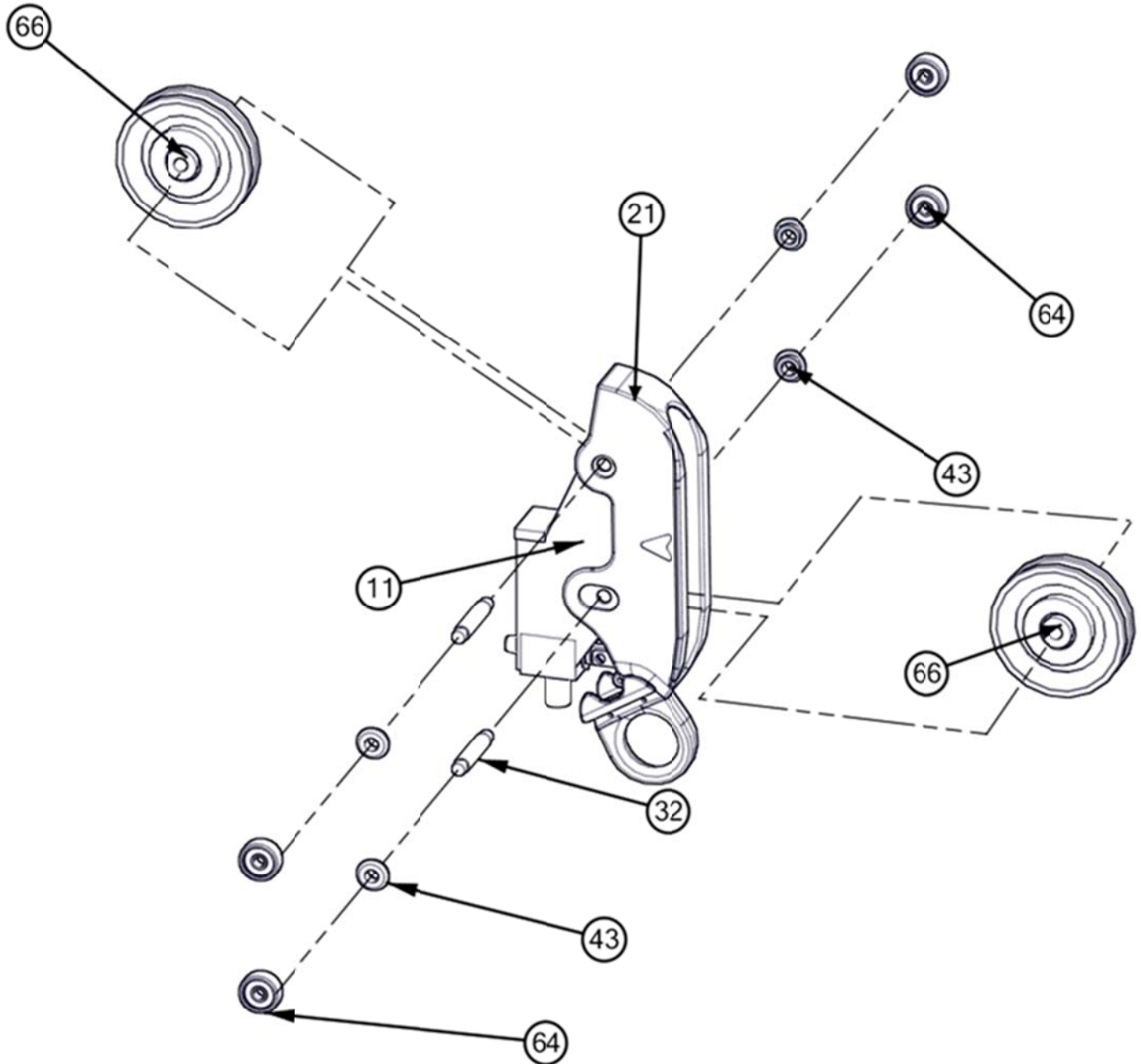


STEP 1

OWNER'S MANUAL

PRE-ASSEMBLY CONTINUED

X2



STEP 3

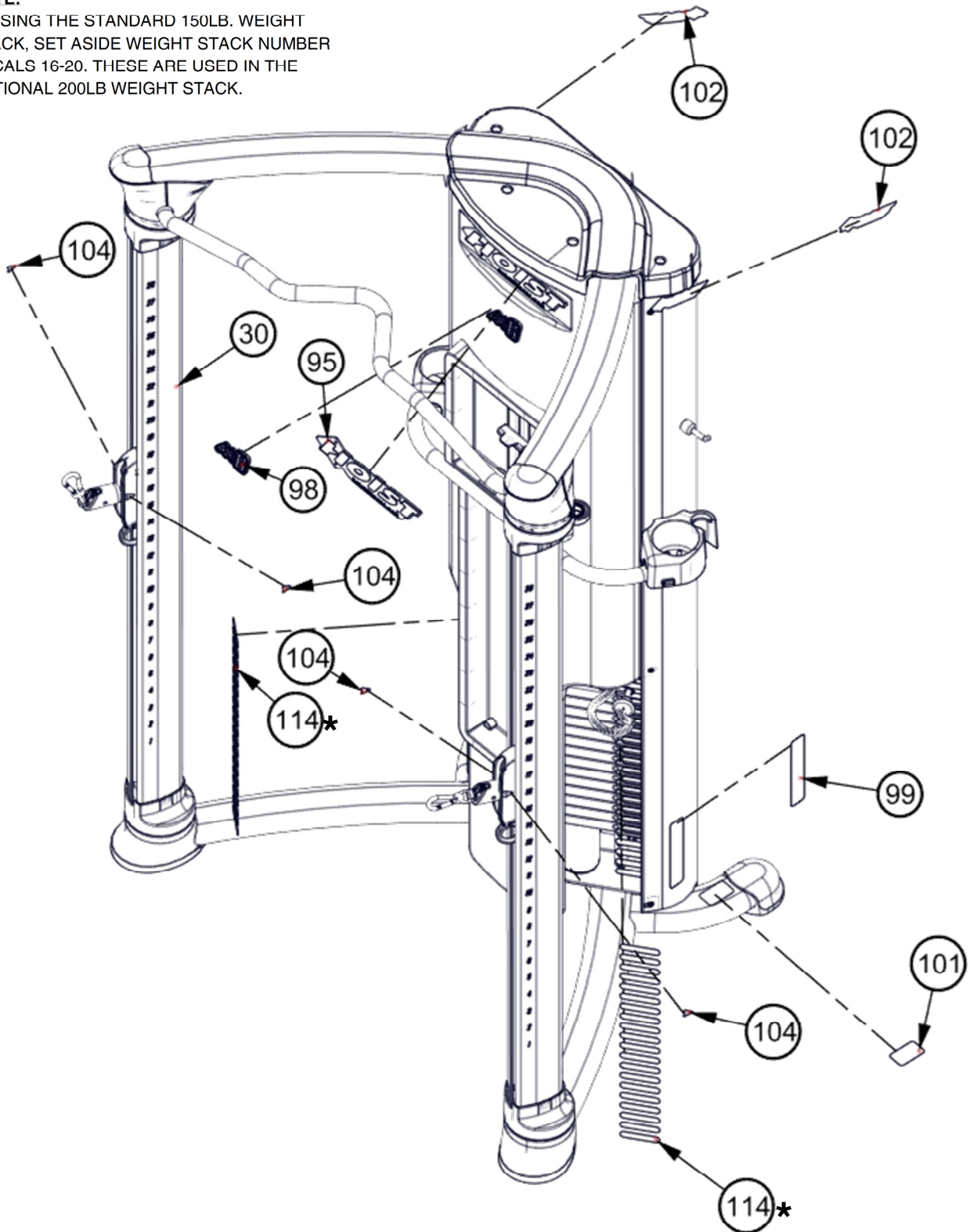
FIRST COMPLETE STEP 1 AND STEP 2 ON PAGE 50

OWNER'S MANUAL

DECAL PLACEMENT

*** NOTE:**

IF USING THE STANDARD 150LB. WEIGHT STACK, SET ASIDE WEIGHT STACK NUMBER DECALS 16-20. THESE ARE USED IN THE OPTIONAL 200LB WEIGHT STACK.



OWNER'S MANUAL

DECAL REFERENCE

10 LBS / 5 KGS	90 LBS / 41 KGS	170 LBS / 77 KGS
20 LBS / 9 KGS	100 LBS / 45 KGS	180 LBS / 82 KGS
30 LBS / 14 KGS	110 LBS / 50 KGS	190 LBS / 86 KGS
40 LBS / 18 KGS	120 LBS / 54 KGS	200 LBS / 91 KGS
50 LBS / 23 KGS	130 LBS / 59 KGS	
60 LBS / 27 KGS	140 LBS / 64 KGS	
70 LBS / 32 KGS	150 LBS / 68 KGS	
80 LBS / 36 KGS	160 LBS / 73 KGS	

021-0003965

WARNING USE ONLY GENUINE HOIST REPLACEMENT PARTS. FAILURE TO DO SO WILL VOID WARRANTY AND COULD RESULT IN PERSONAL INJURY OR EVEN DEATH. THERE IS A RISK ASSUMED BY INDIVIDUALS WHO USE THIS TYPE OF EQUIPMENT TO MINIMIZE THE RISK. ALWAYS FOLLOW THESE SIMPLE RULES.

1. READ AND UNDERSTAND ALL ENCLOSED INSTRUCTIONS before using this equipment.
2. INSPECT EQUIPMENT BEFORE EACH USE. Replace all parts at the first signs of wear or damage. If in doubt about a certain part, DO NOT use the equipment until the part is replaced. Failure to replace worn or damaged parts may result in injury.
3. FOLLOW ROUTINE MAINTENANCE SCHEDULE. Refer to the owner's manual/maintenance decal.
4. CONSULT YOUR PHYSICIAN BEFORE STARTING ANY EXERCISE PROGRAM. Warm up properly before engaging in weight resistance training. Stop exercising if you feel faint, dizzy or pain.
5. TO PREVENT THE POSSIBILITY OF SERIOUS INJURY, KEEP CLEAR OF ALL MOVING PARTS. Do not attempt to free any jammed parts by yourself. Obtain assistance to avoid possible injury.
6. CHILDREN SHOULD NOT BE ALLOWED TO USE THIS EQUIPMENT WITHOUT ADULT SUPERVISION. To avoid possible injury, bystanders should be kept at a safe distance when this equipment is in use.
7. CALL YOUR AUTHORIZED DISTRIBUTOR if you have any questions on the proper use or maintenance of this equipment.
8. TO PREVENT POSSIBLE TIPPING, bolt this unit to the exercise floor. Failure to do so may result in serious injury or death.

021-0003965 (Rev. 17)

021-0003965

COMMERCIAL MAINTENANCE	NOTICE				
	Daily	Weekly	Monthly	Months	Yearly
Inspect: Links, Pull Pins, Snap Locks, Swivels, Weight Stack Pins					X
Clean: Upholstery					X
Inspect: Cables or Belts and their tension					X
Inspect: Accessory Bars and Handles					X
Inspect: All Decals					X
Inspect: All nuts and Bolts Tighten if Needed.					X
Inspect: Anti-Skid Surfaces					X
Clean & Lubricate: Guide Rods with a Teflon (PTFE) based lubricant (Superlube)					X
Lubricate: Seat Sleeves, Turcic Bushings, Linear Bearing					X
Clean & Wax: All Glossy Finishes					X
Repack with Grease Linear Bearings					X
Replace: Cables, Belts and Connecting Parts.					X

021-0003008

OWNER'S MANUAL

DECAL REFERENCE CONTINUED



021-0018030



021-0003230



SERIAL # DECAL



021-0003948



021-0003949

OWNER'S MANUAL

PART LIST

NOTE: SOME OF THESE PARTS MAY COME PRE-INSTALLED

ITEM NO.	PART NUMBER	DESCRIPTION	QTY.
1	010-01C0441	CABLE ASSY. 312 - 7/16" LG.	2
2	026-01X6689	CHIN ASSIST STRAP 4" WIDE	1
3	026-01X7112	ALUMINUM CURL BAR ASSEMBLY	1
4	026-01X7110	ALUMINUM STRAIGHT BAR ASSEMBLY	1
5	026-01X6020	FLEECE KNEE STRAP WITH (1) D-RING & 2 SQ. RINGS ASSEMBLY	1
6	026-01X7113	STRAP HANDLE WITH (3) SQUARE RINGS	2
7	026-01X5186	LEVELING FOOT (M16X2.0)	1
8	026-01X5630	CHAIN LINK REPLACEMENT	2
9	026-01X6789	TOP FRAME-1	1
10	026-01X6790	TOP FRAME-2	1
11	026-01X7090	PULLEY CARRIAGE	2
12	026-01X7091	COLUMN MOUNT	4
13	026-01X6787	Mi-6 BASE FRAME	1
14	026-01X7093	INDEXING PLATE	2
15	026-01X7094	ADJUSTABLE PULLEY MOUNT ASSEMBLY ϕ 3.50"	2
17	026-01X6788	BACKBONE	1
18	026-01X6791	CHIN-UP BAR	1
19	026-01X7098	SPINDLE MOUNT-1	2
20	026-01X7099	SPINDLE MOUNT-2	2
21	026-01X7100	PULLEY COVER ASSY.	2
22	026-01X6792	STABILIZATION HANDLE	1
23	026-01X6793	SHIELD-2	1
24	026-01X7108	CARABINER ADAPTOR	2
25	026-01F0483	THREADED FLANGE	2
26	026-01G0420	GUIDE ROD: ϕ .7500" CRS X 72.6198" LG.	4
27	026-01M0532	HEAVY FLANGED SPACER: ϕ .391" I.D. X .688" LG.	2
28	026-01M0760	HEAVY FLANGED SPACER: ϕ .67 O.D. X ϕ .39 I.D. X .50 LG.	4
29	026-01M3311	SPACER, ϕ 1.5000" X .250 X 1.00" ID X .3750" LG.	4
30	026-01M3313	COLUMN	2
31	026-01M3314	PULL PIN: SHORT TAPERED END ϕ .5000"	2
32	026-01M3315	ϕ .375" SHAFT	4
33	026-01M3321	SPACER, ϕ .55" X .39" ID X 1.55" LG	4
34	026-01M3322	SPACER, ϕ .55" X .39" ID X 1.94" LG	2
35	026-01M3327	HEAVY FLANGED SPACER: ϕ .391" I.D. X .688" LG.	2

OWNER'S MANUAL

PART LIST CONTINUED

NOTE: SOME OF THESE PARTS MAY COME PRE-INSTALLED

ITEM NO.	PART NUMBER	DESCRIPTION	QTY.
36	026-01M3328	Ø.375" CRS HANGER	1
37	026-01P4781	SHIELD-3	1
38	026-01PL0235-36	OPEN END GRIP: Ø1.188" X 8.25" LG.	2
39	026-01PL0369	WEIGHT STAND OFF	4
40	026-01PL2510	ELLIPTICAL RUBBER FOOT W/ FRONT LIP & TAPE	2
41	026-01PL2614	BOOT-3	2
42	026-01PL2615	BUMPER	4
43	026-01PL2617	FLANGED SPACER	8
44	026-01PL2825	TOP CAP	1
45	026-01PL2824	SHIELD-1	1
46	026-01PL2628	COLUMN SLEEVE	4
47	026-01PL2631	CATCH	1
48	026-01PL2632	PANEL-1	1
49	026-01PL2634	CUP / BAR HOLDER-1	1
50	026-01PL2635	CUP / BAR HOLDER-2	1
51	026-01PL2636	CATCH RETAINER	1
52	026-01PL2644	BOOT 2-1	1
53	026-01PL2645	BOOT 2-2	1
54	026-01PL2646	BOOT 1-1	1
55	026-01PL2647	BOOT 1-2	1
56	026-01PL2641	FOOTCAP, 1.9685" X 3.9370" F.O.	2
57	011-0711001	SET SCREW: 1/4"-28 X .25" LG. (Ni)	1
58	012-0503001	1/2"-13 FLANGED NUT (Ni)	4
59	012-0504009	16M X 2.0 FLANGED NUT (Ni)	1
60	012-0504017	1"-8 Thin Nylock Nut (Ni)	4
61	014-0012025	BALL BEARING: SELF ALIGNING, Ø30mm I.D. X Ø62mm O.D. X 16mm	4
62	014-0015040	Retaining Ring, E clip, 1/2"	2
63	014-0015041	Internal Retaining Ring, 2.44"	4
64	014-0012024	BEARING: 608-2RS BEARING (8mm BORE) with 1.00" OD PVC outer ring 608-2RS Bearing with 1.00" OD PVC outer ring	8
65	018-0001001	PULLEY: 2" BLACK W/ CONV. GRADE BEARINGS	4
66	018-0001002	CABLE PULLEY: Ø3.50"	12
67	019-0001001	PLUG BUMPER	4
68	019-0001006	THICK RUBBER DONUT Ø3.00" X .50" BLACK	4
69	020-0011018	Compression Spring	2
70	013-1002014	3/8" FENDER WASHER (BZ)	4

OWNER'S MANUAL

PART LIST CONTINUED

NOTE: SOME OF THESE PARTS MAY COME PRE-INSTALLED

ITEM NO.	PART NUMBER	DESCRIPTION	QTY.
71	013-1002011	#10 FLAT WASHER (Ni)	18
72	013-1002010	5/16" SAE FLAT WASHER (Ni)	8
73	013-1002007	3/8" X 22mm FLAT WASHER (Ni)	70
74	011-0101230	M3-.5 X 10mm FHB (BZ)	4
75	011-0701113	#10-32UNC x .75 BHCS (Ni)	18
76	011-0701002	5/16"-18UNC X .75" BHCS (Ni)	4
77	011-0701021	3/8"-16UNC X 1.25" BHCS (Ni)	6
78	011-0702021	3/8"-16UNC X 1.25" FHCS (Ni) W/NYLON PATCH	4
79	011-0702024	1/2"-13UNC X 1.00" FHS (Ni)	16
80	011-0116142	3/8"-16UNC X 1.00" LOW HEAD SHCS (Ni)	14
82	011-0116145	3/8"-16UNC X 1.75" LOW HEAD SHCS (Ni)	8
83	011-0116149	3/8"-16UNC X 2.75" LOW HEAD SHCS (Ni)	2
84	011-0116150	3/8"-16UNC X 3.00" LOW HEAD SHCS (Ni)	4
85	011-0702003	3/8"-16UNC X 1.00" FHCS (Ni)	2
86	011-0702011	3/8"-16UNC X 3.00" FHCS (Ni)	2
87	011-0702013	3/8"-16UNC X 3.50" FHCS (Ni)	2
88	013-1010007	#10 INTERNAL LOCK WASHER (Ni)	18
89	013-1010003	5/16" INTERNAL LOCK WASHER (Ni)	8
90	013-1006003	3/8" SPLIT LOCK WASHER (Ni)	12
91	012-0504016	M3 THIN NYLOCK NUT (BZ)	4
92	012-0609007	CLIP ON NUT, 10-32	18
93	012-0504005	3/8"-16 UNC THIN NYLOCK NUT (Ni)	32
94	020-0011019	TABLET MOUNT SPRING, .34" OD X 4.5" LG, WIRE DIA. .025"	1
95	021-0018030	BADGE, HOISTFITNESS.COM, 12.8982"	1
96	026-01PL2642	BOOT LEFT	1
97	026-01PL2643	BOOT RIGHT	1
98	021-0003948	EMBLEM, Mi6	1
99	021-0003135	DECAL WARNING 1.50" X 6.69"	1
100	021-0003008	DECAL COMMERCIAL MAINTENANCE 1.50 X 6.69	1
101	SERIAL # DECAL	DECAL HOIST SERIAL # 1.63" X 2.63"	1
102	021-0003230	DECAL HOIST 1.625" X 6.0613"	2

OWNER'S MANUAL

PART LIST CONTINUED

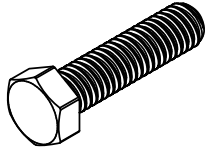
NOTE: SOME OF THESE PARTS MAY COME PRE-INSTALLED

ITEM NO.	PART NUMBER	DESCRIPTION	QTY.
104	021-0003949	COLUMN ARROW DECAL	4
107	002-0001013	1cc of Synthetic Multi-Purpose Grease (PTFE)	4
108	011-0701001	5/16"-18UNC X .5" BHCS (Ni)	4
109	011-0711002	SET SCREW: 5/16UNC-18 X .25" LG. (Ni)	4
110	WS#22	150 LBS. STACK (8.25 LBS. TOP PLATE W/ 20 HOLE STEM)	2
111	026-01P5845	WASHER 1.88 OD x 1.00 ID x 1mm T	4
112	011-0210001	4-20,Thread-Forming Screw for Plastics	4
114	021-0003965	DECAL: WEIGHT STACK 22 (10-200 LBS.)	2
118	002-0001036	TOUCH-UP PAINT - BOTTLE: 1oz. - COLOR: PLATINUM	1
119	011-0107037	3/8"-16UNC X 1.25" HHB (WZ)	4
120	021-0014035	POSTER: Mi6	1
122	026-01PL2393	Ø3.0000" X .8125" ID X.313" T SPACER	4

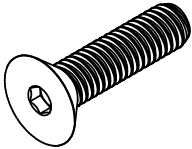
OWNER'S MANUAL

ABBREVIATIONS

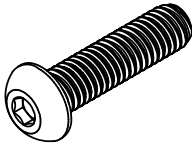
BZ = Black Zinc
Ni = Nickel Plated
SS = Stainless Steel
WZ = White Zinc



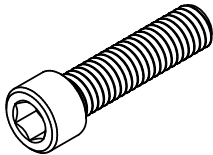
HHB = Hex Head Bolt



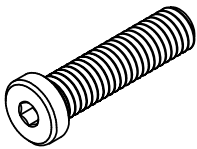
FHCS = Flat Head Cap Screw



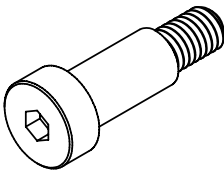
BHCS = Button Head Cap Screw



SHCS = Socket Head Cap Screw



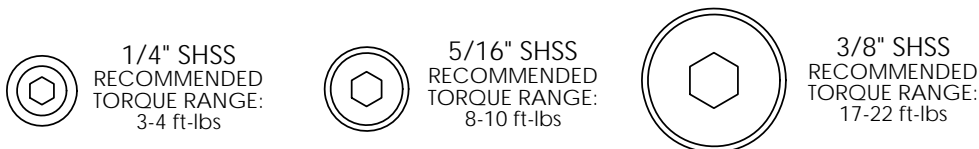
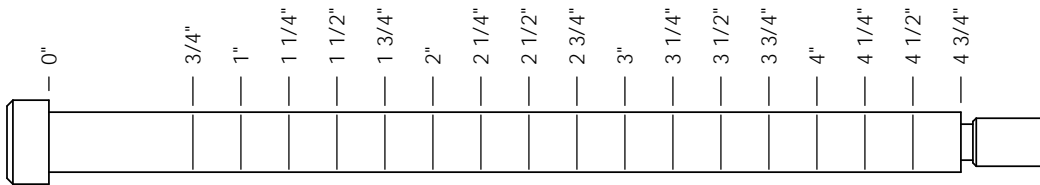
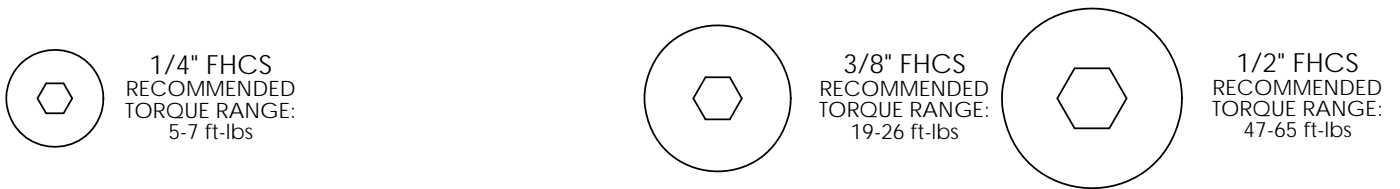
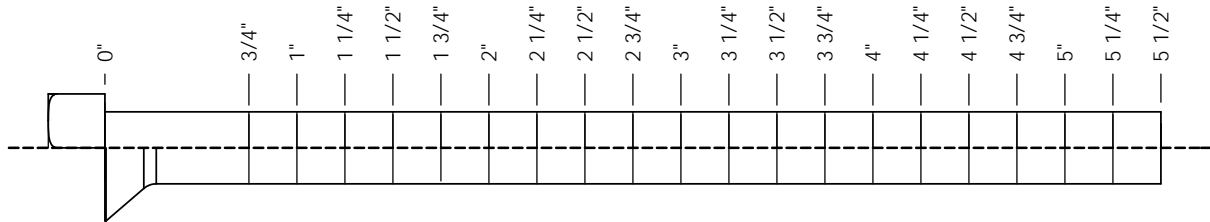
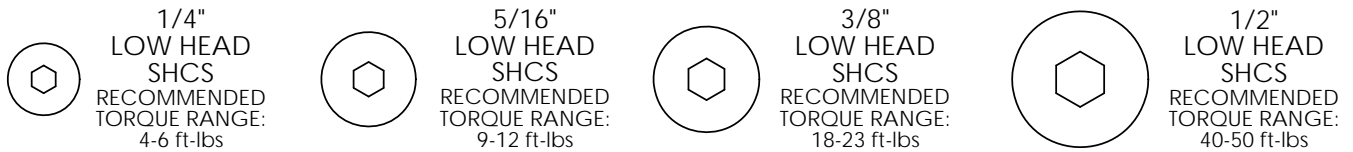
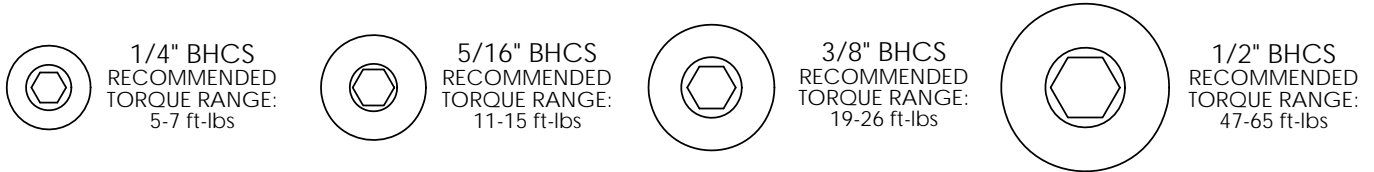
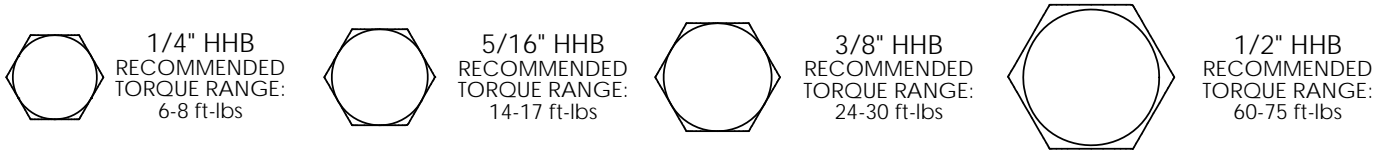
Low Head SHCS = Low Head Socket
Head Cap Screw



SHSS = Socket Head Shoulder Screw

OWNER'S MANUAL

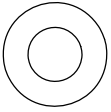
BOLT SIZING CHART



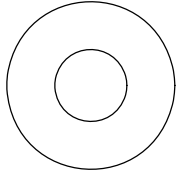
OWNER'S MANUAL

WASHER SIZING CHART

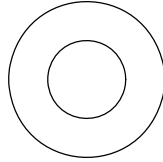
013-0002003
1/4"
FLAT WASHER
SMALL, SAE, 13mm



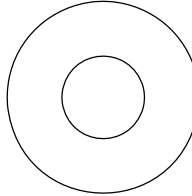
013-0102004
5/16"
FLAT WASHER
LARGE, USS, 22mm



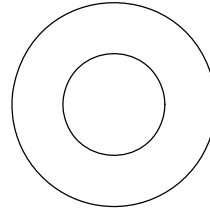
013-0002004
3/8"
FLAT WASHER
SMALL, SAE, 21mm



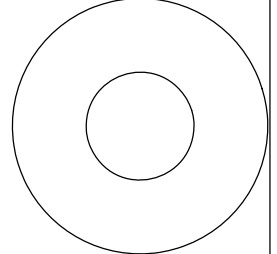
013-0402005
3/8"
FLAT WASHER
LARGE, USS, 25mm



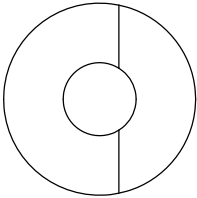
013-0102003
1/2"
FLAT WASHER
SMALL, SAE, 27mm



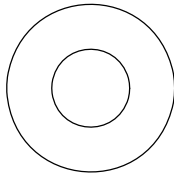
013-0102026
1/2"
FLAT WASHER
LARGE, USS, 34mm



013-0102028
3/8"
CURVED WASHER



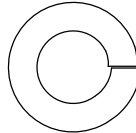
013-0402007
3/8"
FLAT WASHER
22mm O.D.



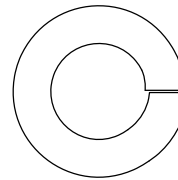
013-0102019
1/4"
LOCK WASHER



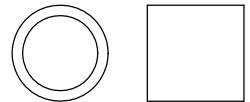
013-0102020
3/8"
LOCK WASHER



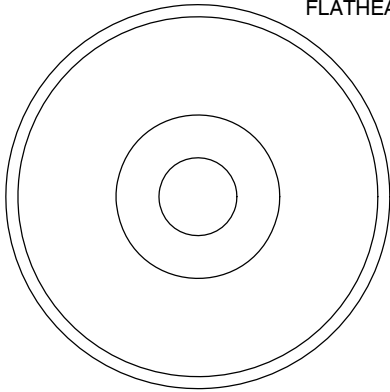
013-0102018
1/2"
LOCK WASHER



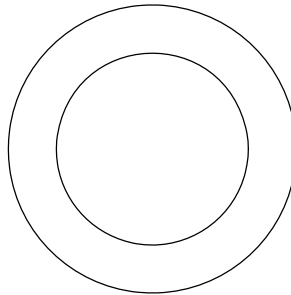
014-0018001
1/2" LONG
SPACER



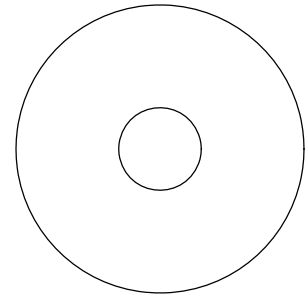
026-01M0238
2" ALUMINUM
FLATHEAD CAP



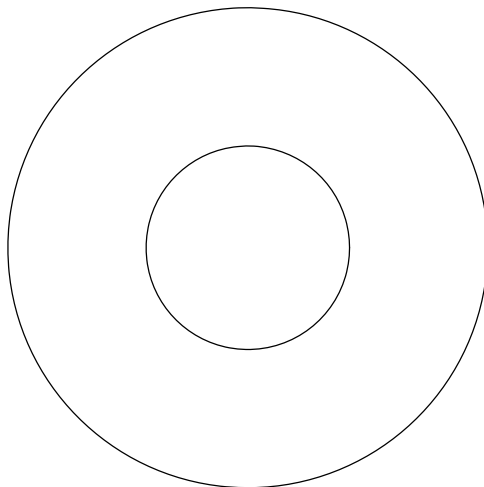
016-0009003
1" SHIM WASHER



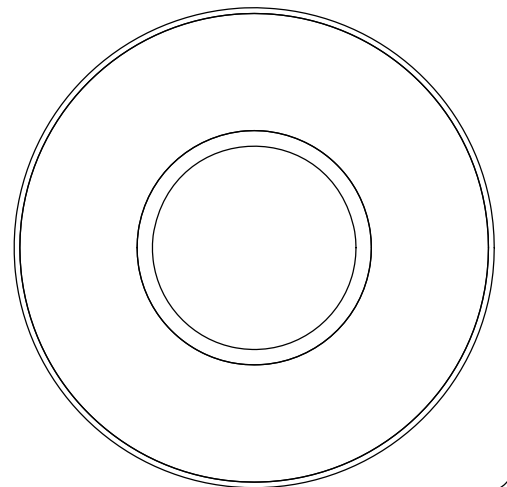
013-0003002
3/8" FENDER WASHER



013-0003004
1 1/16"
FENDER WASHER



026-01PL151
PLASTIC 1 1/16"
FENDER WASHER



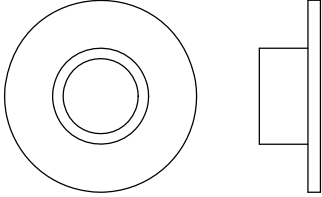
014-0018002
1" LONG
SPACER



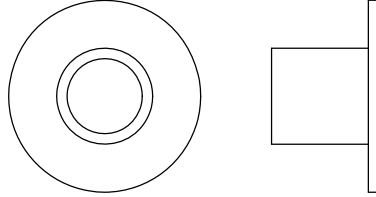
OWNER'S MANUAL

WASHER SIZING CHART (CONTINUED)

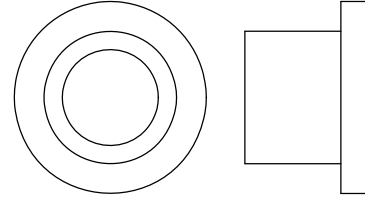
026-01M0211
1/4" LONG
FLANGED SPACER



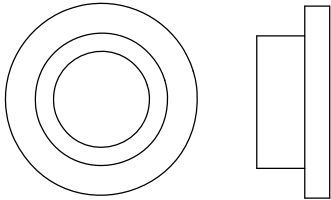
026-01M0198
1/2" LONG
FLANGED SPACER



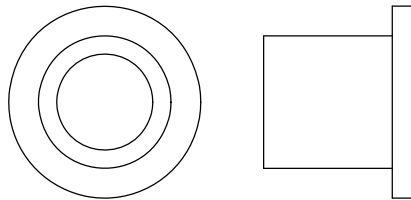
026-01M0760
1/2" LONG HEAVY
FLANGED SPACER



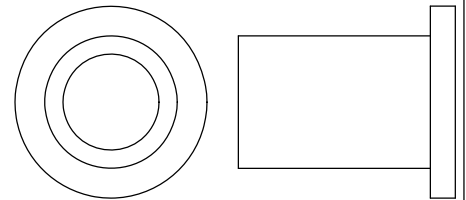
026-01M211T
1/4" LONG HEAVY
FLANGED SPACER



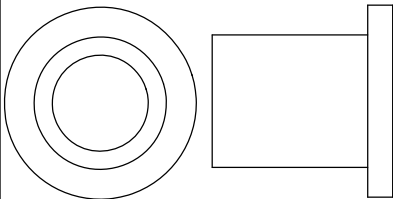
026-01M0532
11/16" LONG HEAVY
FLANGED SPACER



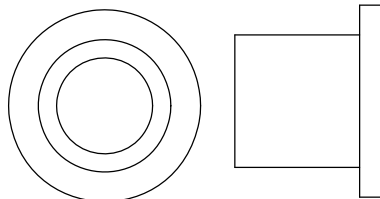
026-01M0551
1" LONG HEAVY
FLANGED SPACER



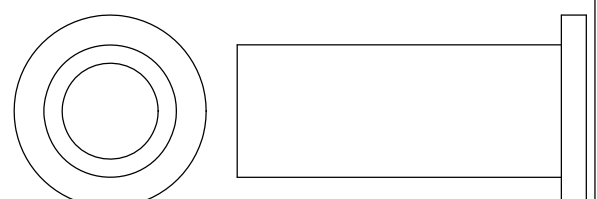
026-01M0788
.81" LONG HEAVY
FLANGED SPACER



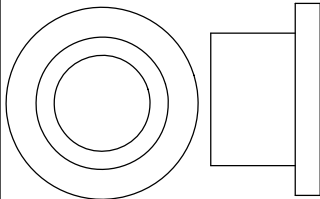
026-01M0780
.65" LONG HEAVY
FLANGED SPACER



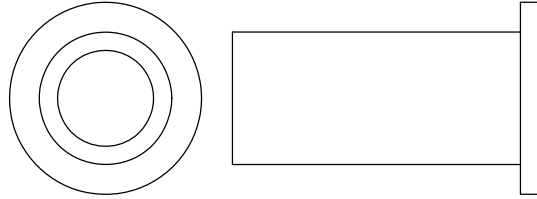
026-01M0761
1 11/16" LONG HEAVY
FLANGED SPACER



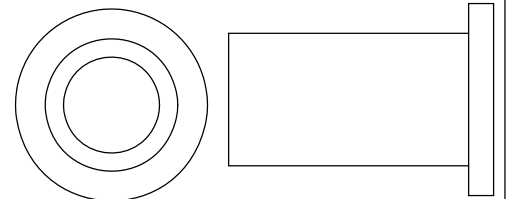
026-01M0789
.44" LONG HEAVY
FLANGED SPACER



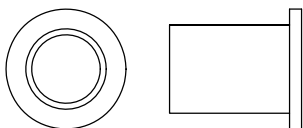
026-01M0762
1 1/2" LONG HEAVY
FLANGED SPACER



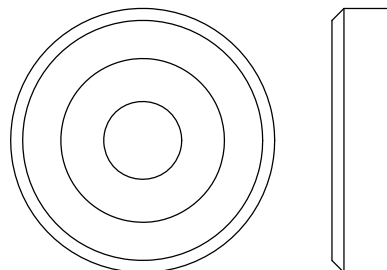
026-01M0768
1 1/4" LONG HEAVY
FLANGED SPACER



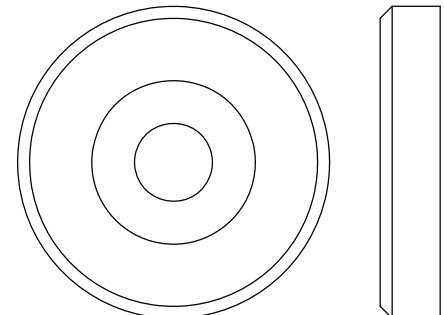
026-01M0600
.625" LONG
FLANGED SPACER



026-01M0240
1 3/8" ALUMINUM
FLATHEAD CAP



026-01M0239
1 5/8" ALUMINUM
FLATHEAD CAP



OWNER'S MANUAL

MAINTENANCE SCHEDULE

ROUTINE	COMMERCIAL / LIGHT COMMERCIAL MAINTENANCE	HOME MAINTENANCE	LATEST DATE ENTRY																	
Inspect; Links, Pull Pins, Snap Locks, Swivels, Weight Stack Pins	DAILY	WEEKLY																		
Clean; Upholstery	DAILY	WEEKLY																		
Inspect; Cables or Belts and their tension	DAILY	WEEKLY																		
Inspect; Accessory Bars, and Handles	WEEKLY	3 MONTHS																		
Inspect; All Decals	WEEKLY	3 MONTHS																		
Inspect; All Nuts and Bolts, Tighten if needed	WEEKLY	3 MONTHS																		
Inspect; Anti-Skid Surface	WEEKLY	3 MONTHS																		
Clean & Lubricate; Guide Rods with a Teflon (PTFE) based lubricant (Superlube)	MONTHLY	3 MONTHS																		
Lubricate; Seat Sleeves, Turcite Bushings, Linear Bearing	MONTHLY	3 MONTHS																		
Clean and Wax; All Glossy Finishes	6 MONTHS	YEARLY																		
Repack with Grease; Linear Bearings	6 MONTHS	YEARLY																		
Replace; Cables, Belts and Connecting Parts	YEARLY	3 YEARS																		

*Your equipment comes with a commercial maintenance decal.
For personal, in home use, please follow the home maintenance schedule listed above.*

Never use ammonia, acid-based, or petroleum-based solvents on any portion of the machine as it may damage the finish.

OWNER'S MANUAL

HOIST FITNESS SYSTEMS GENERAL MAINTENANCE INFORMATION

Links, Pull-Pins, Snap Hooks, Swivels, Weight Stack Pins:

- *Check all pieces for signs of visible wear or damage.
- *Check springs in snap hooks and pull-pins for proper tension and alignment.
- *If the spring sticks or has lost its rigidity, replace it immediately.

Upholstery:

- *To ensure prolonged upholstery life and proper hygiene, all upholstered pads should be wiped down with a damp cloth after every workout.
- *Periodically take the time to use a mild soap or an approved vinyl upholstery cleaner to deter the onset of cracking or drying. Avoid using any abrasive cleaners or cleaners not intended for use on vinyl.
- *Replace ripped or worn upholstery immediately.
- *Keep sharp or pointed objects clear of all upholstery.

Decals:

- *Inspect and familiarize yourself with any safety warnings or other user information posted on each decal.

Nuts and Bolts:

- *Inspect all nuts and bolts for any loosening and tighten if needed.
- *Go through a re-tightening sequence periodically to ensure that all hardware is tensioned proper.

Anti-Skid Surfaces:

- *These surfaces are designed to supply secure footing and need to be replaced if they appear worn or become slippery.

Belts and Cables:

- *Hoist uses only high quality belt, and mil-spec cables.
- *Visually inspect the belts and cables for fraying, cracking, peeling or discoloration.
- *While the machine is not in use, carefully run your fingers along the belt or cable to feel for thinning or bulging areas.
- *Replace belts and cables immediately at the first signs of damage or wear. Do not use equipment until belts or cables have been replaced.

Belt and Cable Tension:

- *Referring to the Owners Manual, when belts or cables are used check all bolts attachments to be sure they are properly attached.
- *Check slack in cables and re-adjust cable tension if needed.

Seat Sleeves, Guide Rods:

- *Wipe down adjusting tubes with a dust free rag before applying lubricant.
- *Lubricate seat sleeves and Guide Rods with a Silicon or Teflon based lubricant spray.

Linear Bearings:

- *Referring to the Owners Manual carefully disassemble the bearing from its housing and place a finger full of light grease (lithium, super lube, etc.) into the inside of the bearing. Using your finger, press the grease into the ball-bearings and their tracks. repeat until the ball-bearing tracks are full of grease. Insert the shaft back into the bearing and wipe off excess grease.

PLEASE KEEP THIS FOR YOUR RECORDS

OWNER'S MANUAL

WEIGHT TRAINING TIPS

Use this manual to guide you through the basic exercises you can perform on your Mi6 HOIST® Fitness System. To gain maximum results and avoid possible injury, consult a fitness professional to develop your complete exercise program.

Always consult your physician before starting any exercise program.

To be successful in your exercise program, it is important to develop an understanding of the basic principles of strength training. Now that you have your Mi6 HOIST® Fitness System, it is only natural that you want to get started immediately. First, determine a set of realistic goals and objectives for yourself. By deciding on an exercise plan that is right for you prior to starting, you will contribute significantly to your success.

Warm up properly before engaging in weight resistance training. Stretching, yoga, jogging, calisthenics or other cardiovascular exercise can help prepare your body for the heavier workload of lifting weights.

Learn how to perform the exercise correctly before using heavy weight. Correct form is important to avoid injury and to ensure that you work the proper muscle groups.

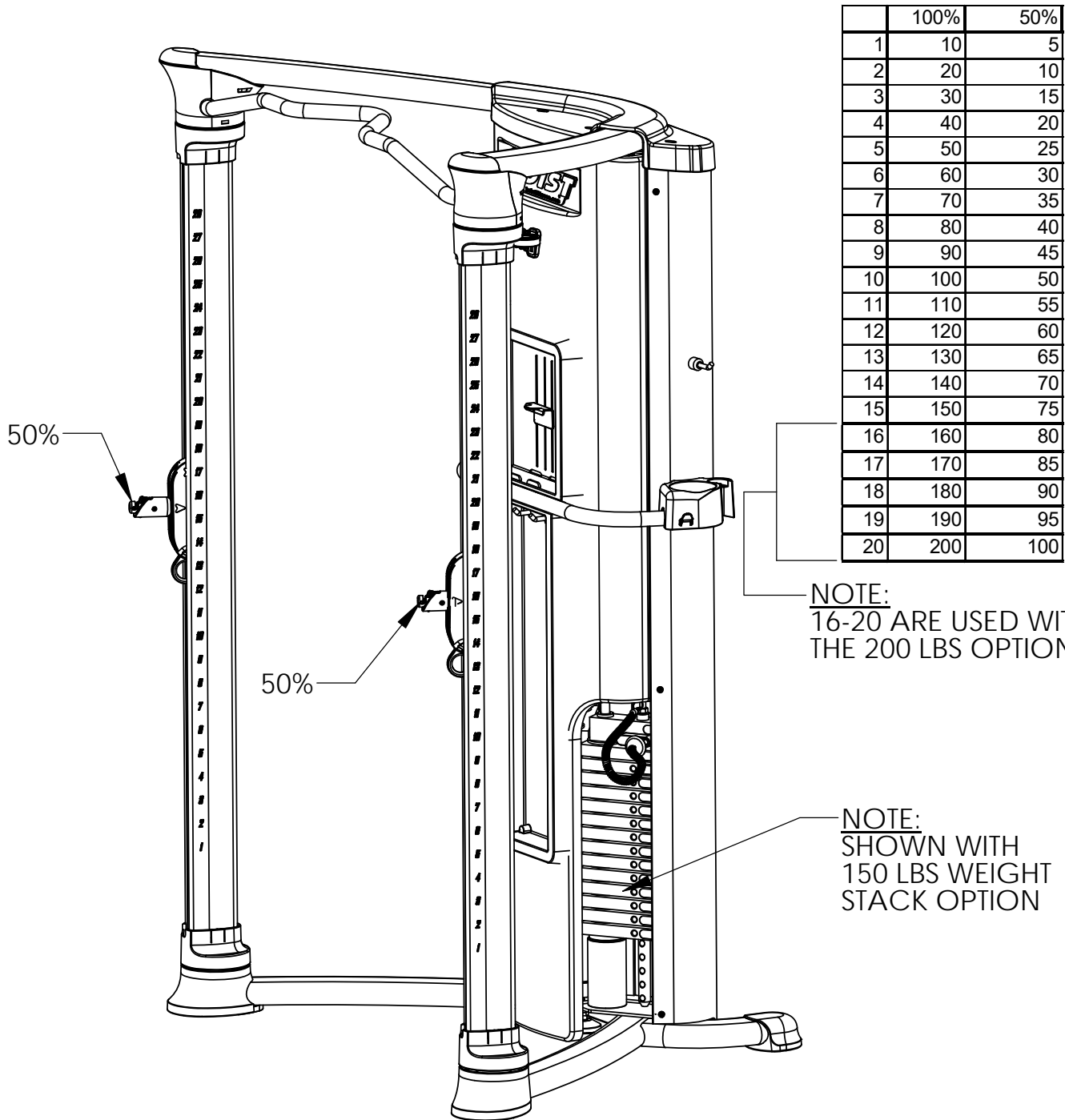
Know your limitations. If you are new to weight training or are embarking on an exercise regimen after a long layoff, start slowly and build foundational strength over a longer period of time.

Pay attention to your breathing. Exhale when you exert is a general rule of thumb. Never hold your breath.

Enjoy your Mi6 HOIST® Fitness System!

OWNER'S MANUAL

WEIGHT RATIOS



The above chart shows the standard weight stack for this unit. The weights listed are approximate. HOIST reserves the right to modify the machine without prior notice.

OWNER'S MANUAL

HOIST FITNESS SYSTEMS **LIMITED LIFETIME WARRANTY**

Hoist Fitness Systems warrants this product to the **original purchaser** to be free from defects in workmanship and/or materials under normal use or service. If at any time a component part is defective, Hoist Fitness Systems shall repair or replace it (at Hoist Fitness Systems option) within a reasonable period of time. This warranty does not cover costs of removal, transportation or reinstallation. This warranty shall not apply if the defect was caused by misuse, neglect or normal wear and tear.

WARRANTY CLAIMS. All claims require: Model number, Serial number, Date of installation, and any information supporting the existence of the alleged defect.

To complete Warranty Registration visit:
www.HOISTFITNESS.com
and click on the Warranty Registration link

Starting from the original date of purchase, normal wear and tear shall be considered as the following:

COMMERCIAL USE: All malfunctions of upholstery, grips, and coatings that occur up to one year; all malfunctions of belts, or cables up to one year; all malfunctions of pulleys, bearings, or bushings that occur up to three years. The frame and body components are warranted for ten years, with structural moving parts warranted for five years.

LIGHT COMMERCIAL USE: All malfunctions of upholstery, grips, and coatings that occur up to one year; all malfunctions of belts, or cables up to one year; all malfunctions of pulleys, bearings, or bushings that occur up to three years. The frame and body components are warranted for ten years, with structural moving parts warranted for five years.

HOME USE: All malfunctions of grips, paint, and chrome that occur up to ten years; all malfunctions of electronic components, belts, cables, or upholstery that occur up to ten years; all malfunctions of pulleys, bearings, or bushings that occur up to ten years. The frame and all welded components are warranted for the life of the product.

PLEASE NOTE THAT NOT ALL HOIST PRODUCTS ARE MADE FOR COMMERCIAL USE. Refer to the instructions page of your owners manual or consult with you fitness product dealer to establish if a product is made for commercial use or not. Using a non-commercial product in a commercial setting can result in serious injury or death! Hoist Fitness Systems sole responsibility shall be to repair or replace the component within the terms stated above. Hoist Fitness Systems shall not be liable for any loss or damage of any kind including any incidental or consequential damages resulting, directly or indirectly from any warranty expressed or implied or any other failure of this product.

LIGHT COMMERCIAL USE: Our Light Commercial warranty applies to facilities that **DO NOT** charge monthly membership dues and where the equipment would be used by **no more than 50** people per day. Examples of Light Commercial facilities include hotels, apartment complexes, personal training studios, fire stations, police stations, etc., that meet the criteria stated above.

WHAT IS NOT COVERED BY THIS WARRANTY: Hoist's sole obligation under this warranty is limited to either repair or replacement of parts, subject to the additions below. This warranty neither assumes nor authorizes any person to assume obligations other than expressly covered by this warranty.

NO CONSEQUENTIAL DAMAGES: Hoist is not responsible for economic loss; profit loss; or special, indirect, or consequential damages.

WARRANTY IS NOT TRANSFERABLE: This warranty is not assignable and applies only in favor of the original purchaser/user to whom delivered. Any such assignment or transfer shall void the warranties herein made and shall void all warranties, expressed, implied or statutory, except the one (1) and five (5) year warranties described above. These warranties are exclusive and in lieu of all other warranties, including implied warranty and merchantability or fitness for a particular purpose. There are no warranties which extend beyond the description on the face hereof.

TRANSPORTATION COSTS: Hoist will accept parts covered under this warranty freight collect, provided that shipment has received prior approval. Hoist is not responsible for any other transportation costs, but will ship freight collect parts either repaired or replaced under these warranties.

Hoist Fitness Systems
11900 Community Rd.
Poway, CA. 92064
(800)548-5438

PLEASE KEEP THIS FOR YOUR RECORDS