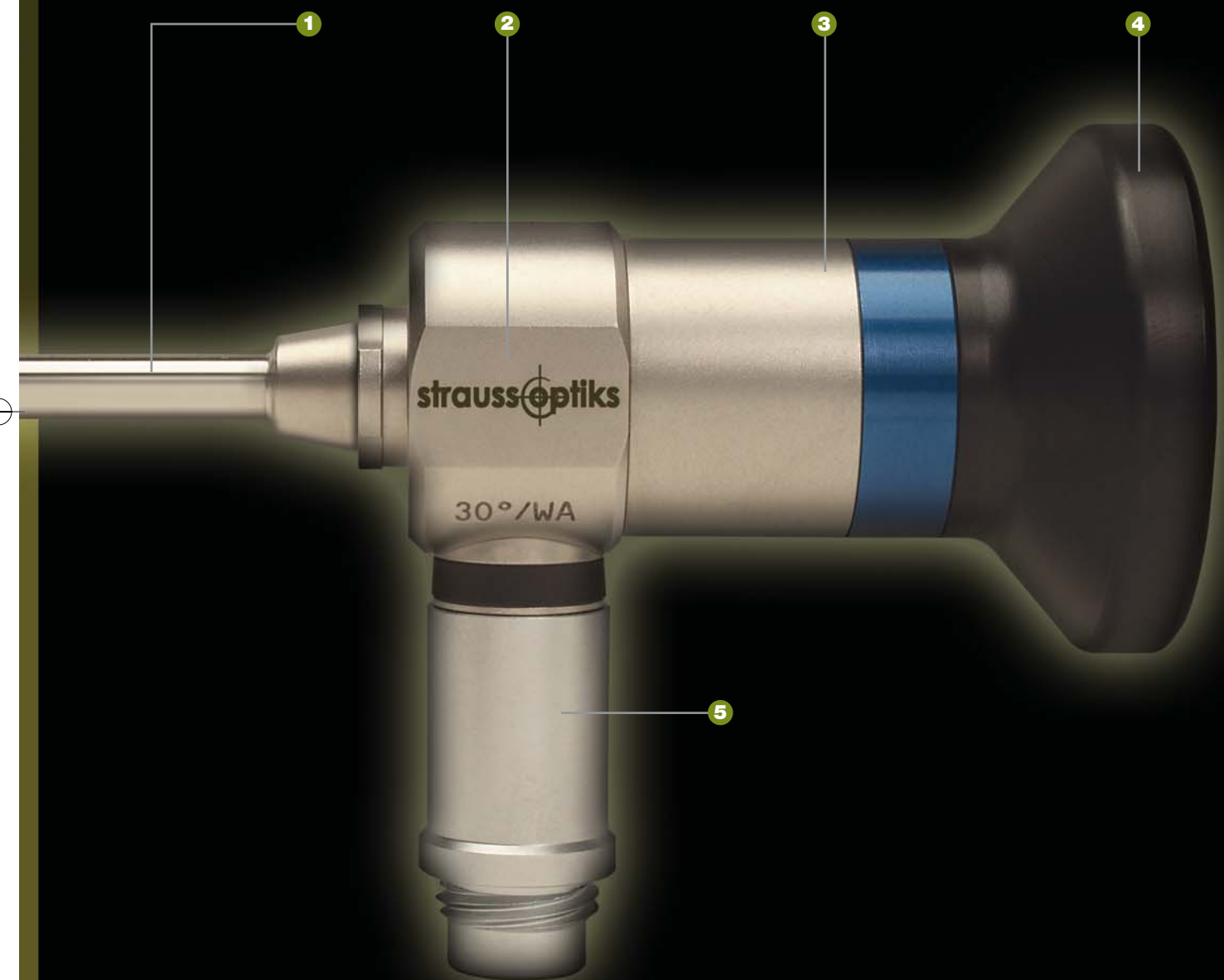


Precision Engineering. All of our high definition endoscopes are precision engineered, incorporating the latest in micro optic and fiberoptic technology. Only the highest quality materials are used to meet extremely exacting demands and maximize the surgeon's diagnostic capabilities.



1. Low-maintenance non coated stainless steel body is resistant to corrosion, rust or staining. 2. Strauss Optiks, world leader in endoscopic technologies. Quality and commitment you can count on. 3. Scope body and sheath are laser-welded tightly to ensure that all parts are secured together properly. 4. Scratch-resistant insulated synthetic ocular objective and a distal saphir-window allow for no internal glass corrosion. 5. Easy to secure fiber connector chamber allows for the fiber optic laser light source to be attached with ease and quickness.

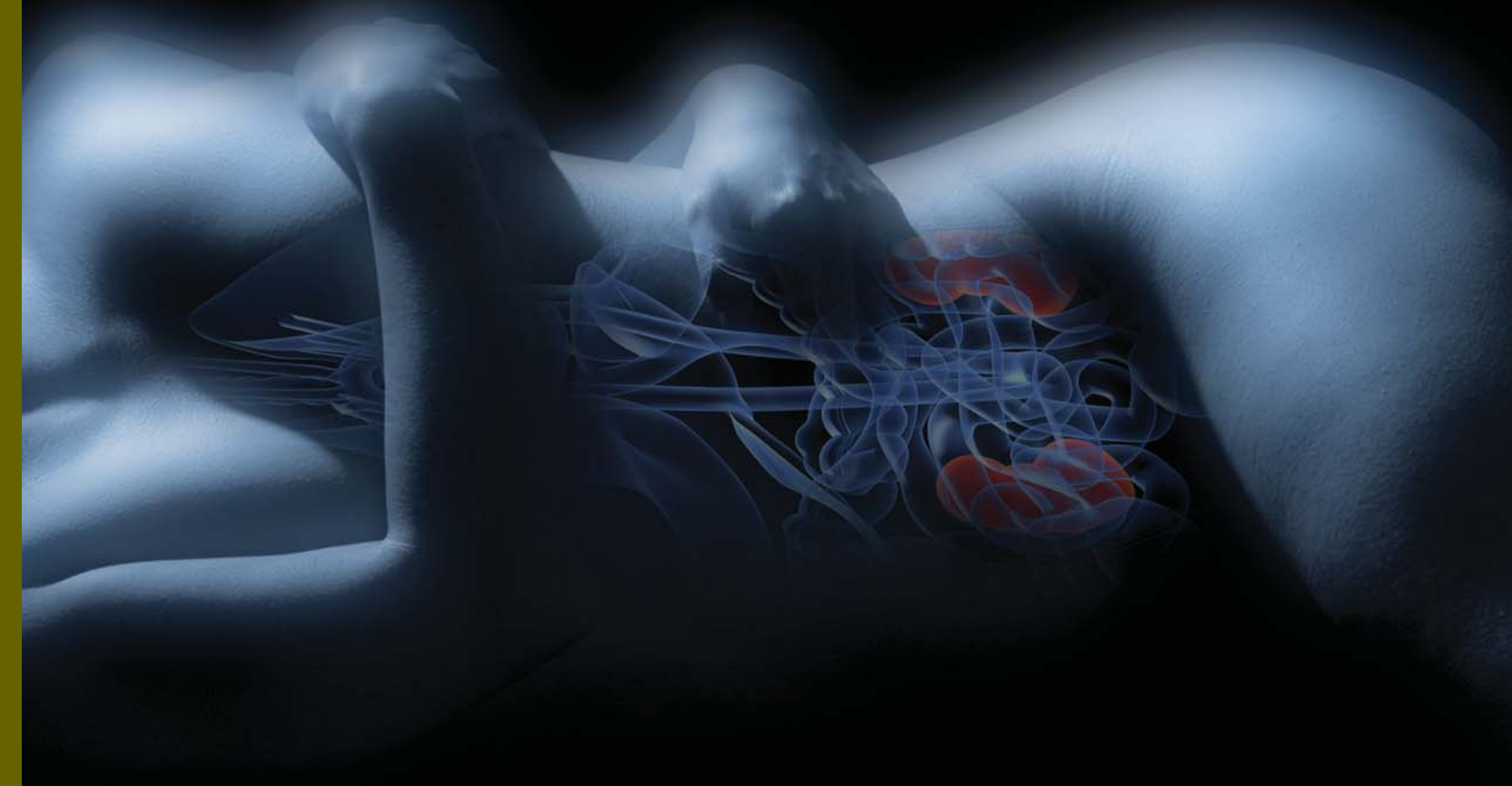


strauss optiks

3020 North West 82nd Avenue, Miami, Florida 33122
Tel: (305) 436-0599 | Fax: (305) 436-0399

© 2008 Strauss Optiks, Inc. All rights reserved.
All reproductions prohibited without proper authorization. Characteristics and specifications subject to change without prior notification.
Strauss Optiks and all other trademarks registered are property of their respective owners.

■ vision



Strauss Optiks High Definition Endoscopes



strauss optiks

High Definition. We've all experienced it. Images with extraordinary detail, clarity & consistency. HD technology has forever changed the way we see motion graphics. In the world of minimal invasive medical treatment, high definition applications take on a much more vital and indispensable role. High definition means seeing what was not visible before... and seeing it clearly. It means greater communication between surgeon and patient, for a more effective treatment. High definition means improved diagnostic results through superior vision. And at Strauss, visualization is at the core of who we are, and what we do best.

Introducing The Strauss High Definition Endoscope:



High Performance Lens
Our high definition endoscopes use a complex proximal and distal sapphire window system that is scratch free, less fogging and prevents corrosion and fluid invasion.



State of the Art Imaging
Compatible with all major camera systems, the Strauss viewfinder eyepiece provides clearly defined, precise images.



Superior Illumination
Optimum lighting via a hybrid fiber bundle improves illumination by up to 30%, making concealed structures visible and accessible.



ARTHROSCOPY/ENT Rigid

2.7mm Telescopes and Smaller

30°
STS-1027-175BA
• STRAUSS OPTIKS HD ENDOSCOPE-Ø: 2.7 MM • VIEWING DIRECTION: 30° STANDARD
• WORKING LENGTH: 187 MM • AUTOCLAVABLE (18 MIN / 134°C/273)

STS-1027-110BA
• STRAUSS OPTIKS HD ENDOSCOPE-Ø: 2.7 MM • VIEWING DIRECTION: 30° STANDARD
• WORKING LENGTH: 110 MM • AUTOCLAVABLE (18 MIN / 134°C/273)

STS-1027-110BAS
• STRAUSS OPTIKS HD ENDOSCOPE-Ø: 2.7 MM • VIEWING DIRECTION: 30° STANDARD
• WORKING LENGTH: 110 MM • AUTOCLAVABLE (18 MIN / 134°C/273)

4mm Telescopes

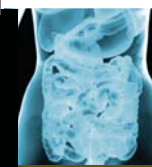
0°
STS-1040-175AA
• STRAUSS OPTIKS HD ENDOSCOPE-Ø: 4.0 MM • VIEWING DIRECTION: 0° WIDE ANGLE
• WORKING LENGTH: 175 MM • AUTOCLAVABLE (18 MIN / 134°C/273)

30°
STS-1040-175KBA
• STRAUSS OPTIKS HD ENDOSCOPE-Ø: 4.0 MM • WORKING LENGTH: 175 MM
• VIEWING DIRECTION: 30° WIDE ANGLE • AUTOCLAVABLE (18 MIN / 134°C/273)

STS-1040-175DBA
• STRAUSS OPTIKS HD ENDOSCOPE-Ø: 4.0 MM • WORKING LENGTH: 175 MM
• VIEWING DIRECTION: 30° WIDE ANGLE • AUTOCLAVABLE (18 MIN / 134°C/273) FOR DYONICS CONNECTION

45°
STS-1040-175FA
• STRAUSS OPTIKS HD ENDOSCOPE-Ø: 4.0 MM • WORKING LENGTH: 175 MM
• VIEWING DIRECTION: 45° WIDE ANGLE • AUTOCLAVABLE (18 MIN / 134°C/273)

70°
STS-1040-175CA
• STRAUSS OPTIKS HD ENDOSCOPE-Ø: 4.0 MM • WORKING LENGTH: 175 MM
• VIEWING DIRECTION: 70° WIDE ANGLE • AUTOCLAVABLE (18 MIN / 134°C/273)



ENDO-UROLOGY

Cystoscopy ▶ 4mm Telescopes

0°
STS-2040-302AA
• STRAUSS OPTIKS HD ENDOSCOPE-Ø: 4.0 MM • WORKING LENGTH: 302 MM
• VIEWING DIRECTION: 0° WIDE ANGLE • AUTOCLAVABLE (18 MIN / 134°C/273)

30°
STS-2040-302BA
• STRAUSS OPTIKS HD ENDOSCOPE-Ø: 4.0 MM • WORKING LENGTH: 302 MM
• VIEWING DIRECTION: 30° WIDE ANGLE • AUTOCLAVABLE (18 MIN / 134°C/273)

70°
STS-2040-302CA
• STRAUSS OPTIKS HD ENDOSCOPE-Ø: 4.0 MM • WORKING LENGTH: 302 MM
• VIEWING DIRECTION: 70° WIDE ANGLE • AUTOCLAVABLE (18 MIN / 134°C/273)

Urethroscopy I Semi-Rigid Ureteroscopes



STS-6075-425A
STRAUSS OPTIKS 7.5 FR. COMPACT URETERO-RENSCOPE WITH LATERALLY STAGGERED OCULAR PART
• ATRAUMATIC DISTAL END • IMAGE BUNDLE WITH 30,000 PIXELS
• SEMI-FLEXIBLE SHEATH • FIXFOCUS
• FIELD OF VIEW: 85° • WORKING CHANNEL: 1 X 5 FR. Ø. 2 X 3 FR
• WORKING LENGTH: 425 MM • AUTOCLAVABLE (18 MIN / 134°C/273)
• VIEWING DIRECTION: 8° TO WORKING CHANNEL • WORKING DIAMETER: DISTAL 7.5 FR, FIRST STEP 9.8 FR.
• POSSIBILITY OF PLACING INSTRUMENTS WITH SUFFICIENT IRRIGATION • LARGE DEPTH OF FIELD, OPTIONAL BRIDGE FOR ULTRASONIC / ELECTROHYDRAULIC PROBES, E.G. EMS
• WORKING BRIDGE W/QUICK COUPLING COMPATIBLE TO SYSTEM WOLF

STS-6060-425A
STRAUSS OPTIKS 6 FR. MINI URETERO-RENSCOPE WITH LATERALLY STAGGERED OCULAR PART
• ATRAUMATIC DISTAL END • IMAGE BUNDLE WITH 17,000 PIXELS
• SEMI-FLEXIBLE SHEATH • FIXFOCUS
• FIELD OF VIEW: 100° • WORKING LENGTH: 425 MM
• VIEWING DIRECTION: 8° TO WORKING CHANNEL • AUTOCLAVABLE (18 MIN / 134°C/273)
• POSSIBILITY OF PLACING INSTRUMENTS WITH SUFFICIENT IRRIGATION • LARGE DEPTH OF FIELD, OPTIONAL BRIDGE FOR ULTRASONIC / ELECTROHYDRAULIC PROBES, E.G. EMS
• WORKING BRIDGE W/QUICK COUPLING COMPATIBLE TO SYSTEM WOLF • WORKING DIAMETER: DISTAL 6.0 FR, FIRST STEP 7.5 FR.
• WORKING CHANNEL: 1 X 4 FR./2 X 2.4 FR

ENDO-UROLOGY -contd.

Nephroscopy

STS-5047-200A
• STRAUSS OPTIKS NEPHROSCOPE 45° • WORKING LENGTH: 200 MM
• TOTAL LENGTH: 278 MM • WORKING CHANNEL Ø: 4.7 MM, 2 X
• RINSING CHANNEL Ø: 1.5 MM • VIEWING DIRECTION: 0°
• STANDARD BENDING: 45° • DISTAL AND PROXIMAL SAPPHIRE, OUTER-Ø: 7.45 MM

LAPAROSCOPY

5mm Telescopes

0°
STS-3050-312AA
• STRAUSS OPTIKS HD ENDOSCOPE-Ø: 5.0 MM • WORKING LENGTH: 312 MM
• VIEWING DIRECTION: 0° WIDE ANGLE • AUTOCLAVABLE (18 MIN / 134°C/273)

30°
STS-3050-312BA
• STRAUSS OPTIKS HD ENDOSCOPE-Ø: 5.0 MM • WORKING LENGTH: 312 MM
• VIEWING DIRECTION: 30° WIDE ANGLE • AUTOCLAVABLE (18 MIN / 134°C/273)

10mm Telescopes

0°
STS-3100-344AA
• STRAUSS OPTIKS HD ENDOSCOPE-Ø: 10.0 MM • WORKING LENGTH: 344 MM
• VIEWING DIRECTION: 0° WIDE ANGLE • AUTOCLAVABLE (18 MIN / 134°C/273)

30°
STS-3100-344BA
• STRAUSS OPTIKS HD ENDOSCOPE-Ø: 10.0 MM • WORKING LENGTH: 344 MM
• VIEWING DIRECTION: 30° WIDE ANGLE • AUTOCLAVABLE (18 MIN / 134°C/273)

45°
STS-3100-344FA
• STRAUSS OPTIKS HD ENDOSCOPE-Ø: 10.0 MM • WORKING LENGTH: 344 MM
• VIEWING DIRECTION: 45° WIDE ANGLE • AUTOCLAVABLE (18 MIN / 134°C/273)



ENT-Flexible

Laryngoscopy ▶ Nasolaryngoscope



STS-4038-300N
STRAUSS OPTIKS FLEXIBLE NASO-PHARYNGOSCOPE WITH ETO VALVE
• TRANSPORT CASE • LEAKAGE, TESTER LIGHT GUIDE
• WORKING LENGTH: 300 MM • WORKING-Ø: 3.8 MM
• DEFLECTION: UP 125°, DOWN 125° • VIEWING DIRECTION: 0° WIDE ANGLE
• DEPTH OF FOCUS: 5 MM TO INFINITY • 2 WAY DEFLECTION
• ONE HAND OPERATION • COMPLETELY SOAKABLE
• LENGTH OF MOVABLE TIP SECTION: 25 MM • DESIGNED FOR GAS STERILIZATION
• CONVENTIONAL IMAGE BUNDLE 12,000 PIXELS

STS-4032-300N
STRAUSS OPTIKS FLEXIBLE NASO-PHARYNGOSCOPE WITH ETO VALVE
• TRANSPORT CASE • LEAKAGE, TESTER LIGHT GUIDE
• WORKING LENGTH: 300 MM • WORKING-Ø: 3.2 MM
• DEFLECTION: UP 160°, DOWN 160° • FIELD OF VIEW 90°
• ONE HAND OPERATION • 2 WAY DEFLECTION
• COMPLETELY SOAKABLE • DESIGNED FOR GAS STERILIZATION
• LENGTH OF MOVABLE TIP SECTION: 20 MM • DEPTH OF FOCUS: 5 MM TO INFINITY
• CONVENTIONAL IMAGE BUNDLE 7,000 PIXELS



ENDO-GYNECOLOGY

Hysteroscopy ▶ 2.9mm Telescopes

30°
STS-2029-302BA
• STRAUSS OPTIKS HD ENDOSCOPE-Ø: 2.9 MM • WORKING LENGTH: 302 MM
• VIEWING DIRECTION: 30° WIDE ANGLE • BETTOCHI STYLE
• AUTOCLAVABLE (18 MIN / 134°C/273)