

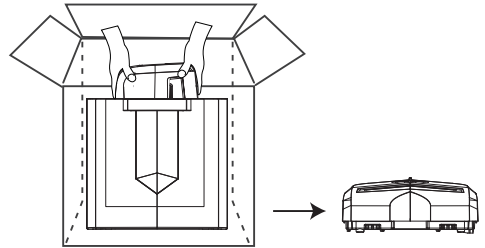
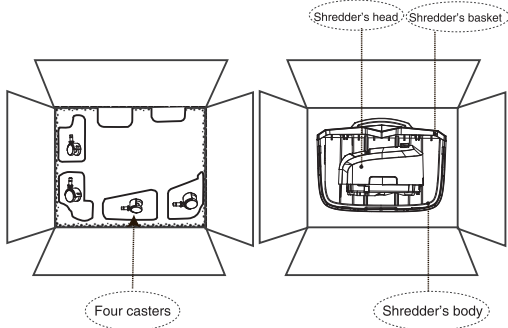


# C266-A Shredder's Installation Instruction

**Thanks for your choosing Bonsai shredder!**


Due to the resources of logistics and ocean shipping become tighter in the whole world, the prices appear to be more expensive. In order to control the rise of cost and provide your goods with cost-effective performance, we invite you to follow the below Installation Instruction to prepare the shredder before use. If you find there are any defective with shredder or need any helps, Please kindly contact with our customer service by **email:customer-care@bonsai.com** .

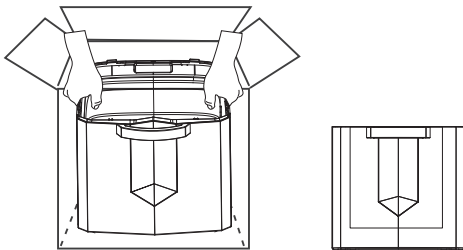
We will be there to provide assistance right away.



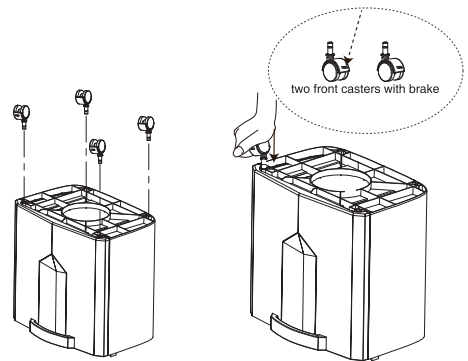
① . Place the shredder on a flat and stable surface place and open the package.

② .Take out the head of shredder from shredder's basket to place on a flat and stable surface place .

**CAUTION** \*when take out the head of shredder ,please be careful of the sharp edges with the inside blades to avoid injury. 

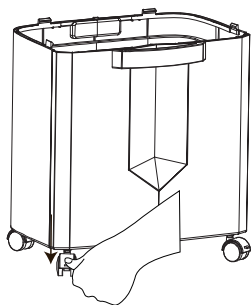


③ .Take out the shredder's body with the basket together from package to a flat and stable surface place.

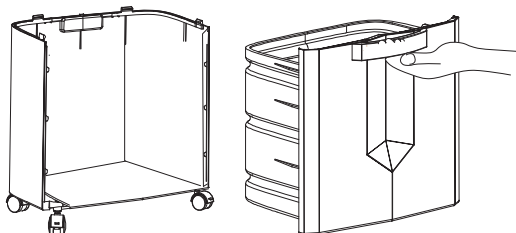


④ .**Install shredder's casters** :Tip over the shredder's body with basket on a flat and stable surface place, casters aim at caster holes and press down (Two front casters face handle direction ).

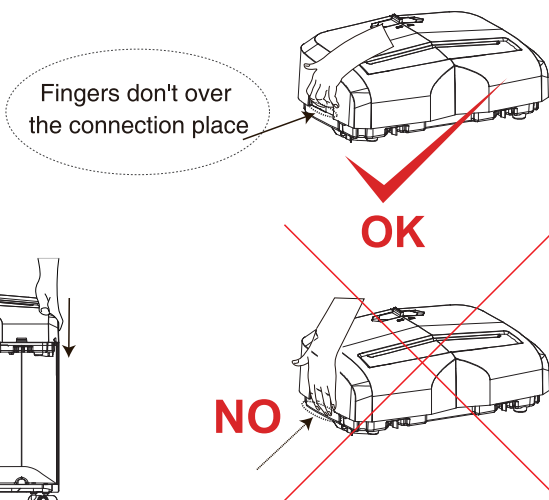
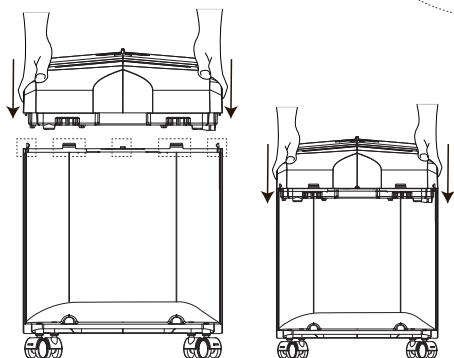
**CAUTION** \*Please don't overexert and damage the shredder's body.



⑤. Turn on the brakes for front casters.

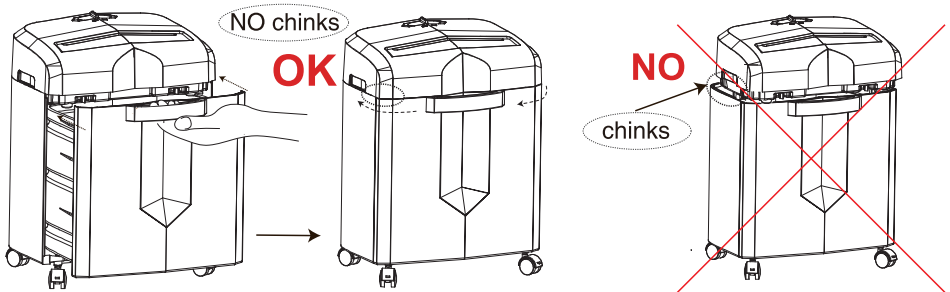


⑥. Take out of the basket from shredder's body.

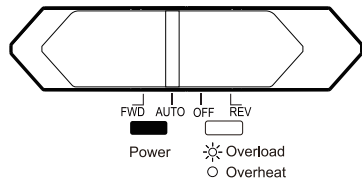
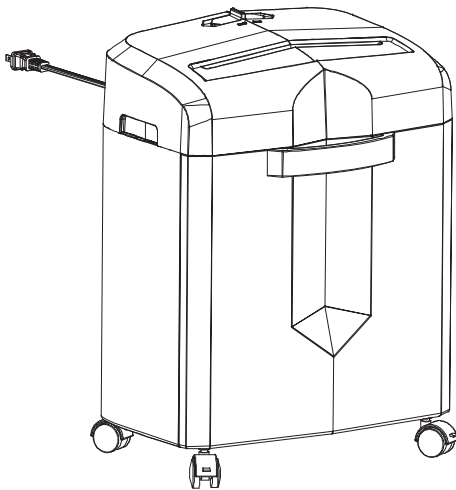


⑦. **Install shredder's head** : Take the shredder's head to aim at shredder's body and press down after the shredder's head aimed at shredder's body (Please don't overexert and damage the shredder's body.)

**CAUTION** \*When install the shredder's head, your fingers don't place the positions of shredder's head connection with shredder's body to avoid injury.



⑧ .Take the shredder's basket to shredder's body for closing,after that check all around the shredder whether it is installed well without any chinks .



⑨.Plug in and move the “control panel” to Auto , power light is in blue(finish the Installation ) .

**CAUTION** \*If the power light doesn't work after you have installed the shredder ,Maybe it doesn't be installed well ,try to repeat the operations from step ⑥ to ⑨ .

If there are still some problems with the shredder or needs any helps, Please kindly contact with our customer service by email:customer-@bonsaii.com . We will be there to provide assistance right away.