

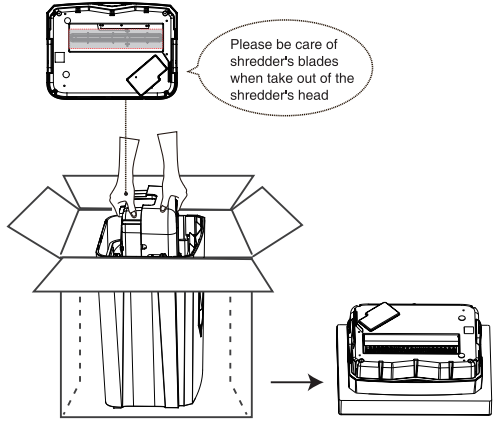
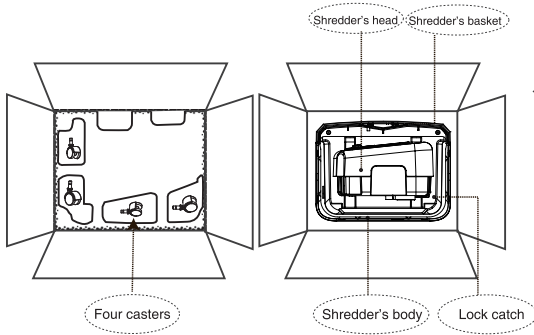


# C169-B Shredder's Installation Instruction

**Thanks for your choosing Bonsai shredder!**

Due to the resources of logistics and ocean shipping become tighter in the whole world, the prices appear to be more expensive. In order to control the rise of cost and provide your goods with cost-effective performance, we invite you to follow the below Installation Instruction to prepare the shredder before use. If you find there are any defective with shredder or need any helps, Please kindly contact with our customer service by **email:customer-care@bonsai.com** .

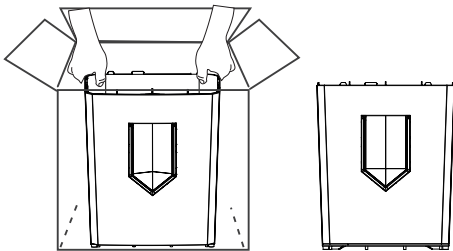
We will be there to provide assistance right away.



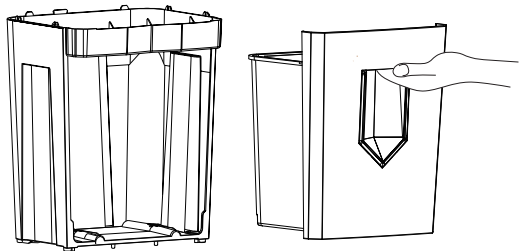
① . Place the shredder on a flat and stable surface place and open the package.

② .Take the head of the shredder out of the basket of the shredder and place the head bottom up on the removed poly dragon.

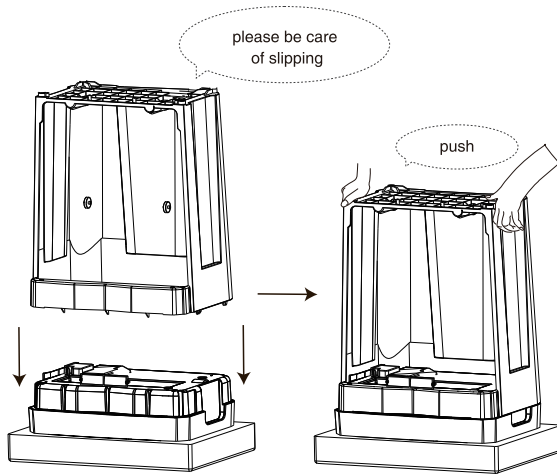
**CAUTION** \*when take out the head of shredder ,please be careful of the sharp edges with the inside blades or the lock catch on shredder's body to avoid injury. 



③ .Take out the shredder's body with the basket together from package to a flat and stable surface place.

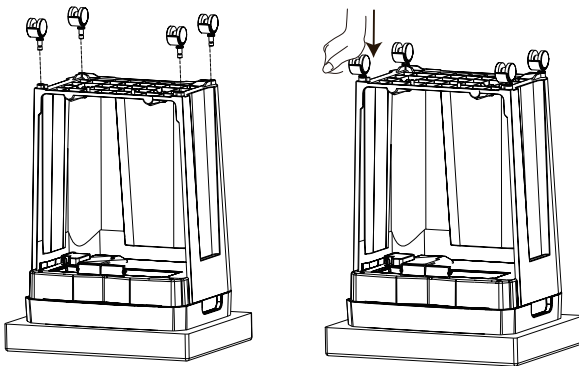


④ .Take out of the basket from shredder's body.



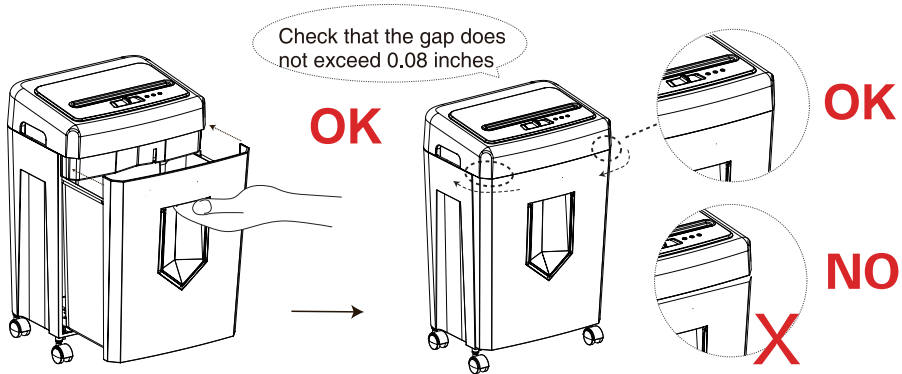
⑤. **Install the trash can:** align the body of the shredder with the body of the shredder, and then press down after the body of the shredder is aligned with the head of the shredder (please do not use too much force to avoid damaging the body of the shredder or the head of the shredder).

**CAUTION** \*When install the shredder's head , your fingers don't place the positions of shredder's head connection with shredder's body to avoid injury.

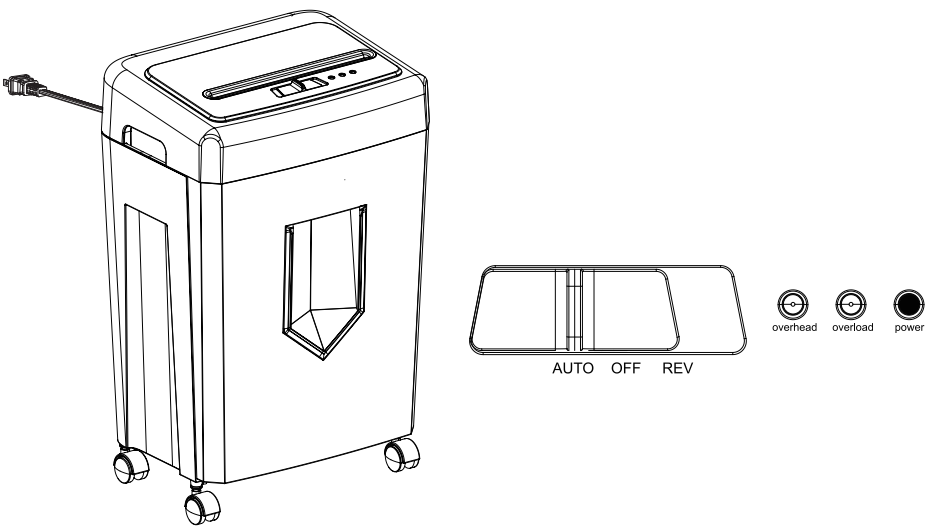


⑥. **Install shredder's casters :**Tip over the shredder's body with basket on a flat and stable surface place, casters aim at caster holes and press down.

**CAUTION** \*Please don't overexert and damage the shredder's body.



⑦. Put the basket of the shredder on the body of the shredder to close it, and then check whether it is well installed around the shredder, and the clearance between the nose and the body is no more than 0.08 inches.



⑧. Plug in and move the “control panel” to Auto , power light is in red (finish the Installation ) .

**CAUTION** \*If the power light doesn't work after you have installed the shredder ,Maybe it doesn't be installed well ,try to repeat the operations from step ⑦ to ⑧ .

If there are still some problems with the shredder or needs any helps, Please kindly contact with our customer service by email: [customer-care@bonsaii.com](mailto:customer-care@bonsaii.com). We will be there to provide assistance right away.