

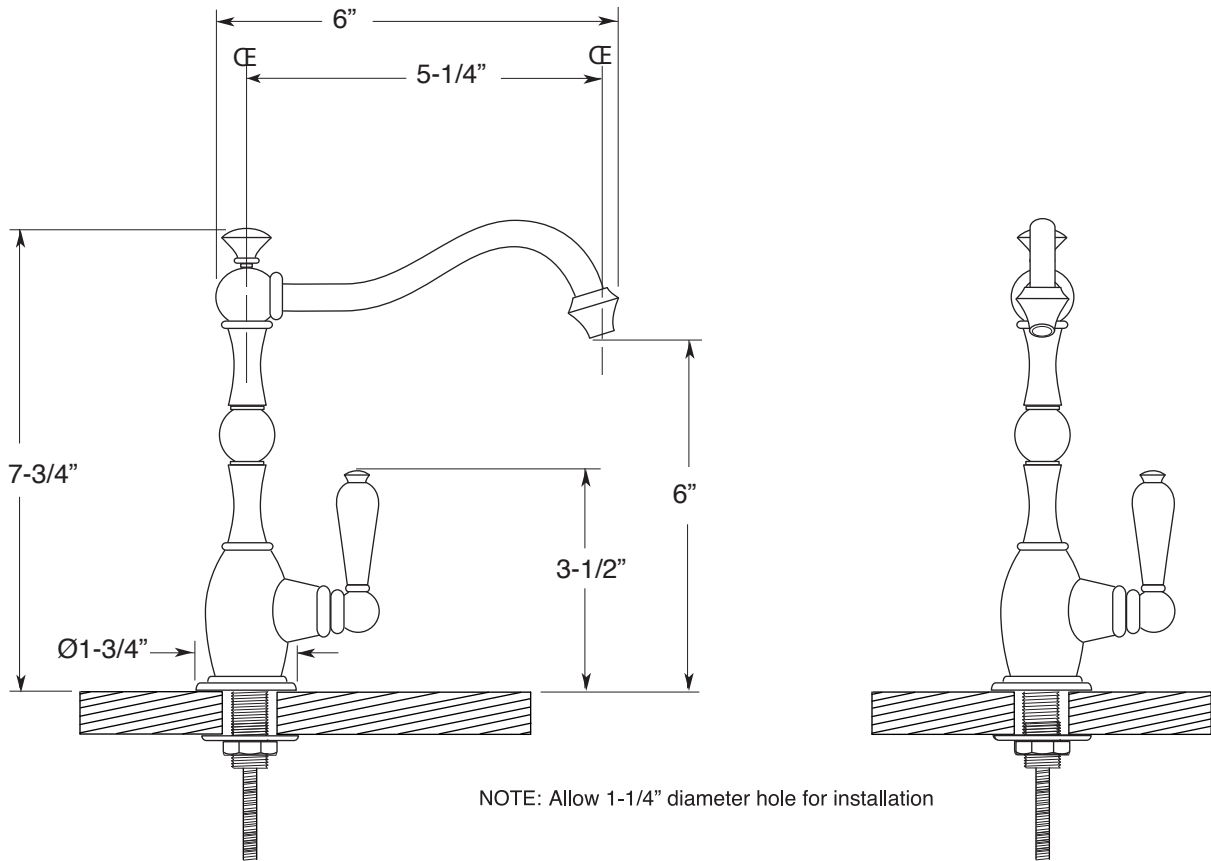
**FEATURES:**

- All brass construction
- Swivel spout
- Available in all Sigma finishes
- Maximum deck thickness: 1-1/2"
- Replacement cartridge: 18.30.036
- Certified to meet or exceed the following codes and standards:  
ASME A112.18.1/CSA B 125.1-2011

**Kitchen & Bar**

**350 Cold Water Drinking  
Faucet for Kitchen or Bar**

1.350044



Note: Measurements are subject to change or cancellation. No responsibility is assumed for use of superseded or voided pages.