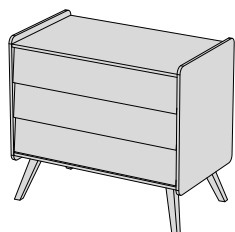
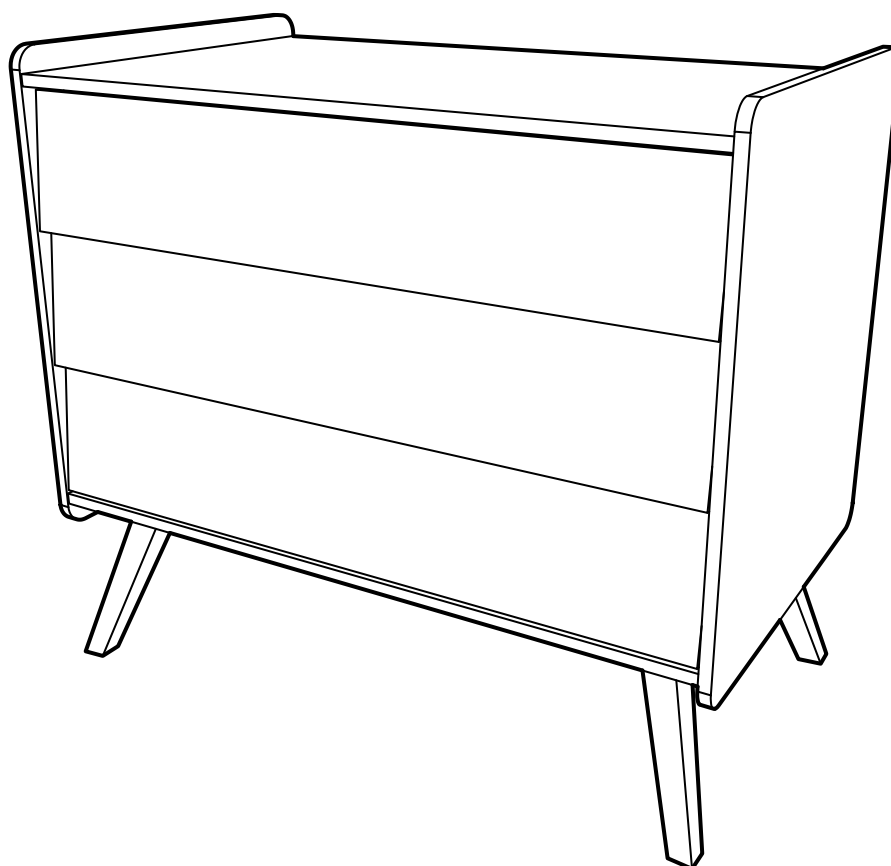


VINTAGE

4020111_003

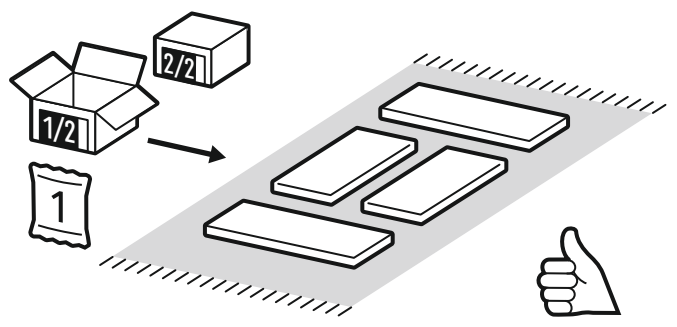
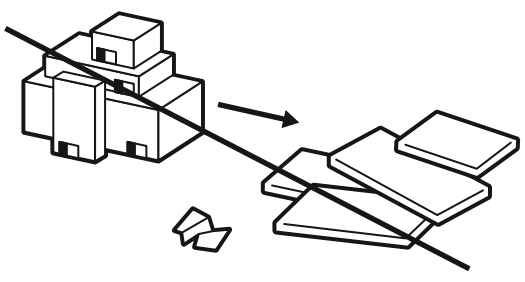
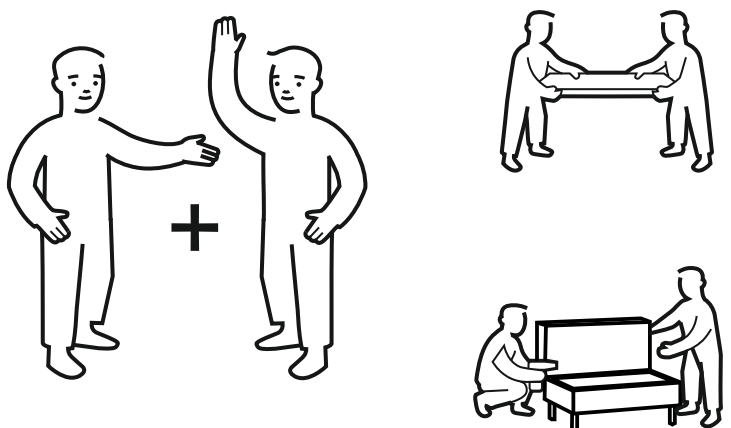
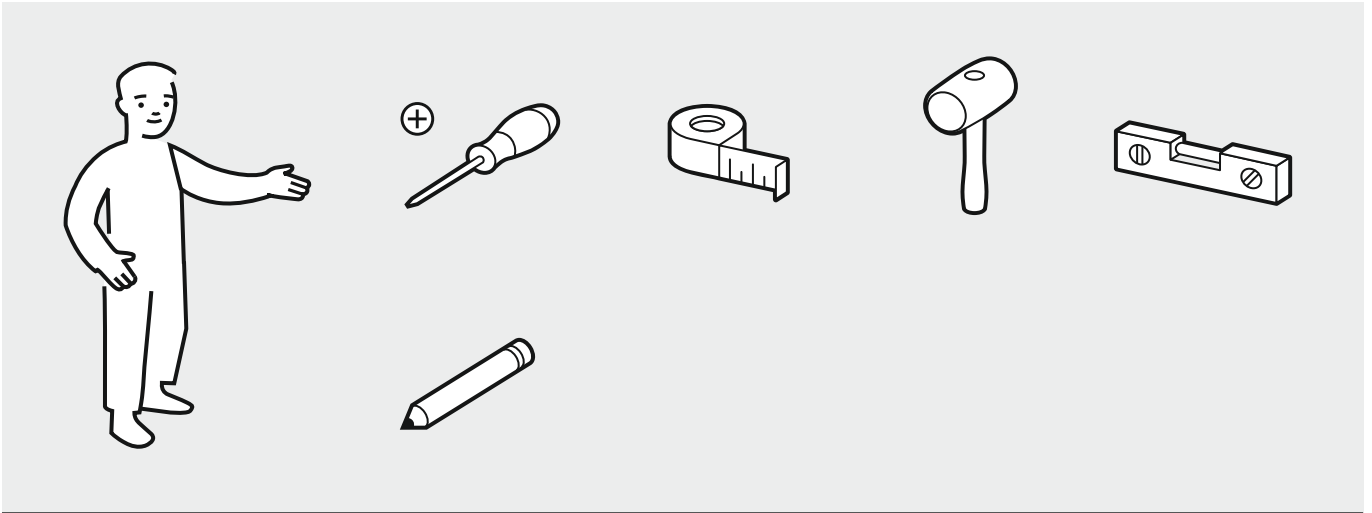


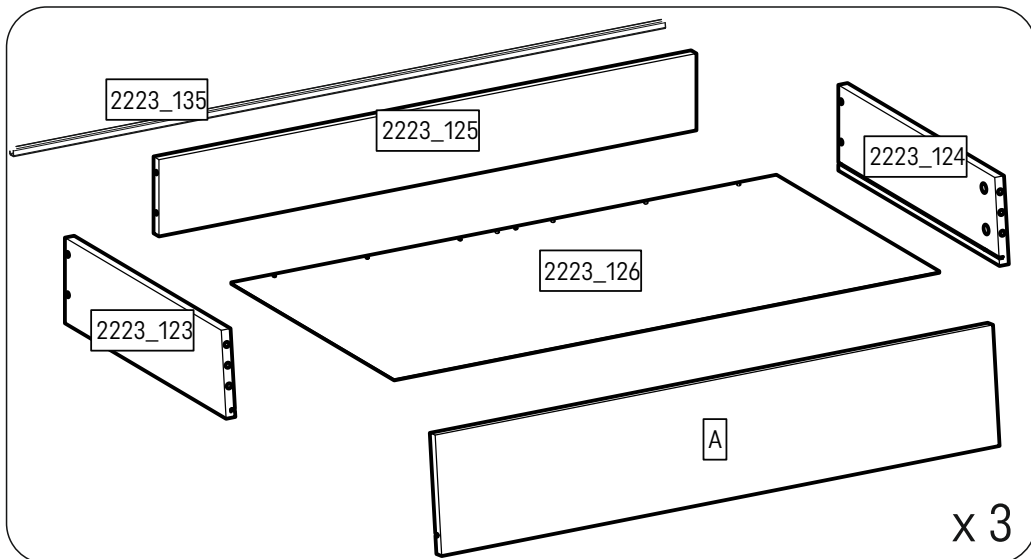
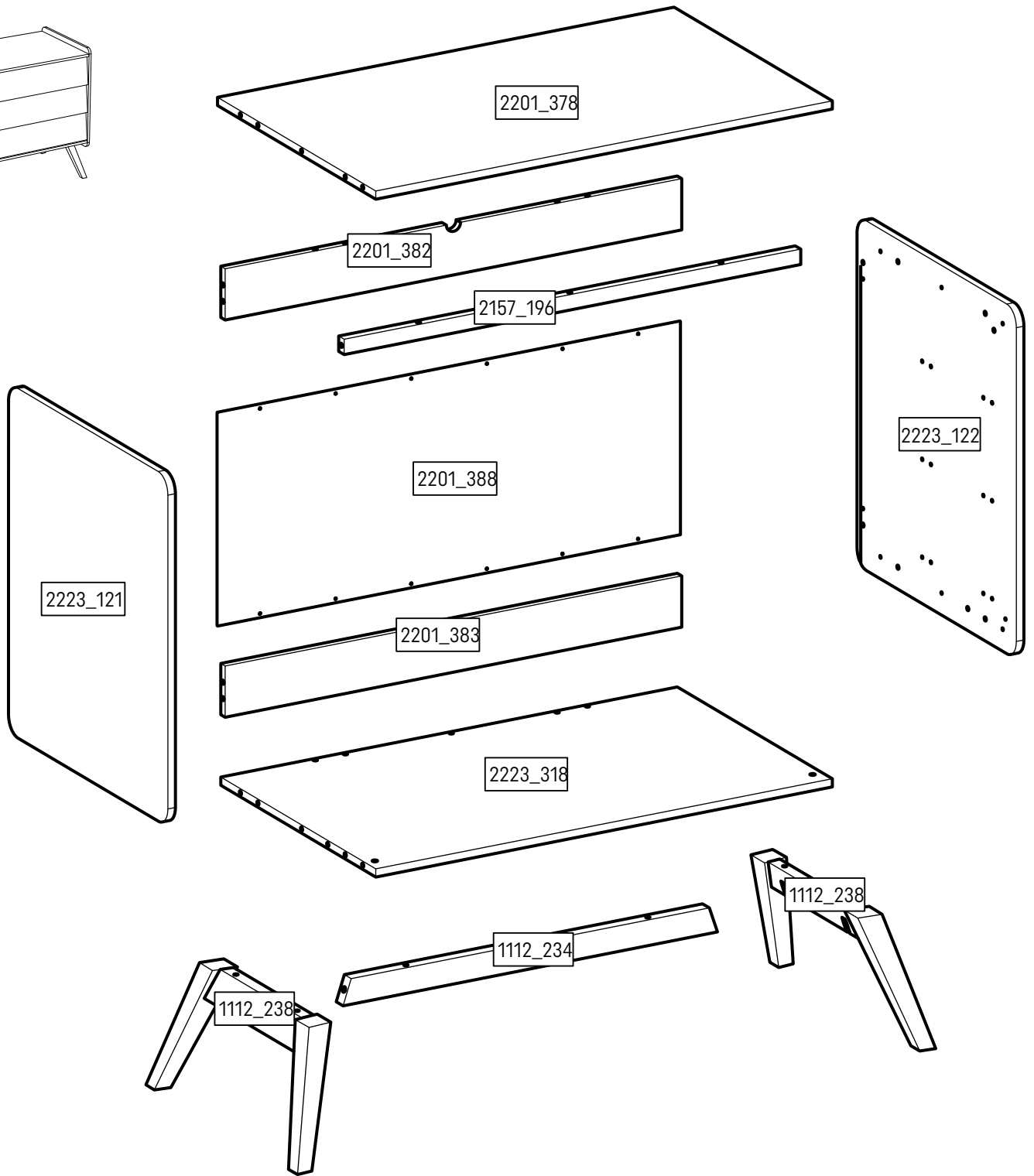
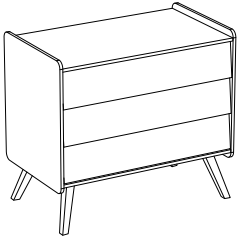
100x90x59 cm
40x36x24"

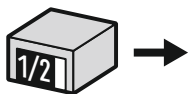
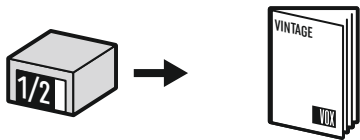


PL • vox.pl
EU • voxfurniture.com
US • voelkelcorp.com

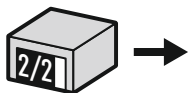
Meble VOX sp. z o.o. sp. k.
ul. Gdyńska 143
62-004 Czerwonak







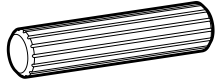
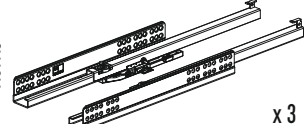
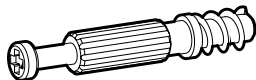
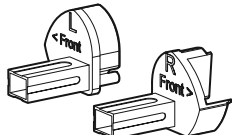
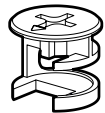


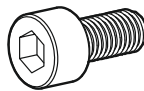

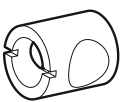

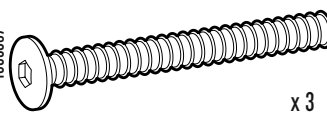
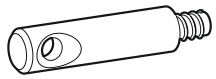

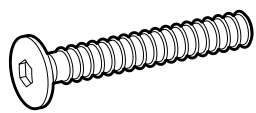


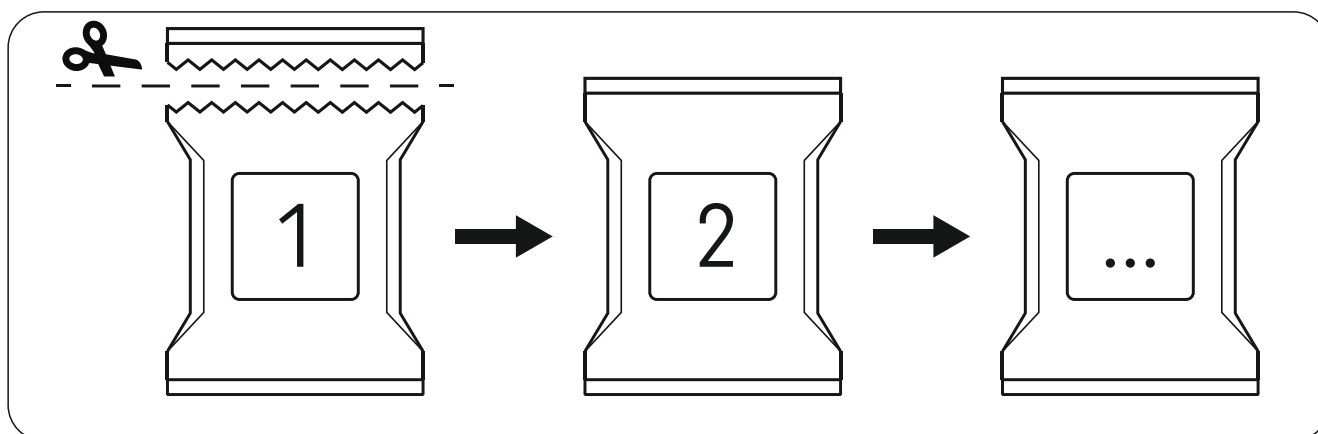


- 2223_123 x3 2223_121 x1
- 2223_124 x3 2223_122 x1
- 1112_238 x2



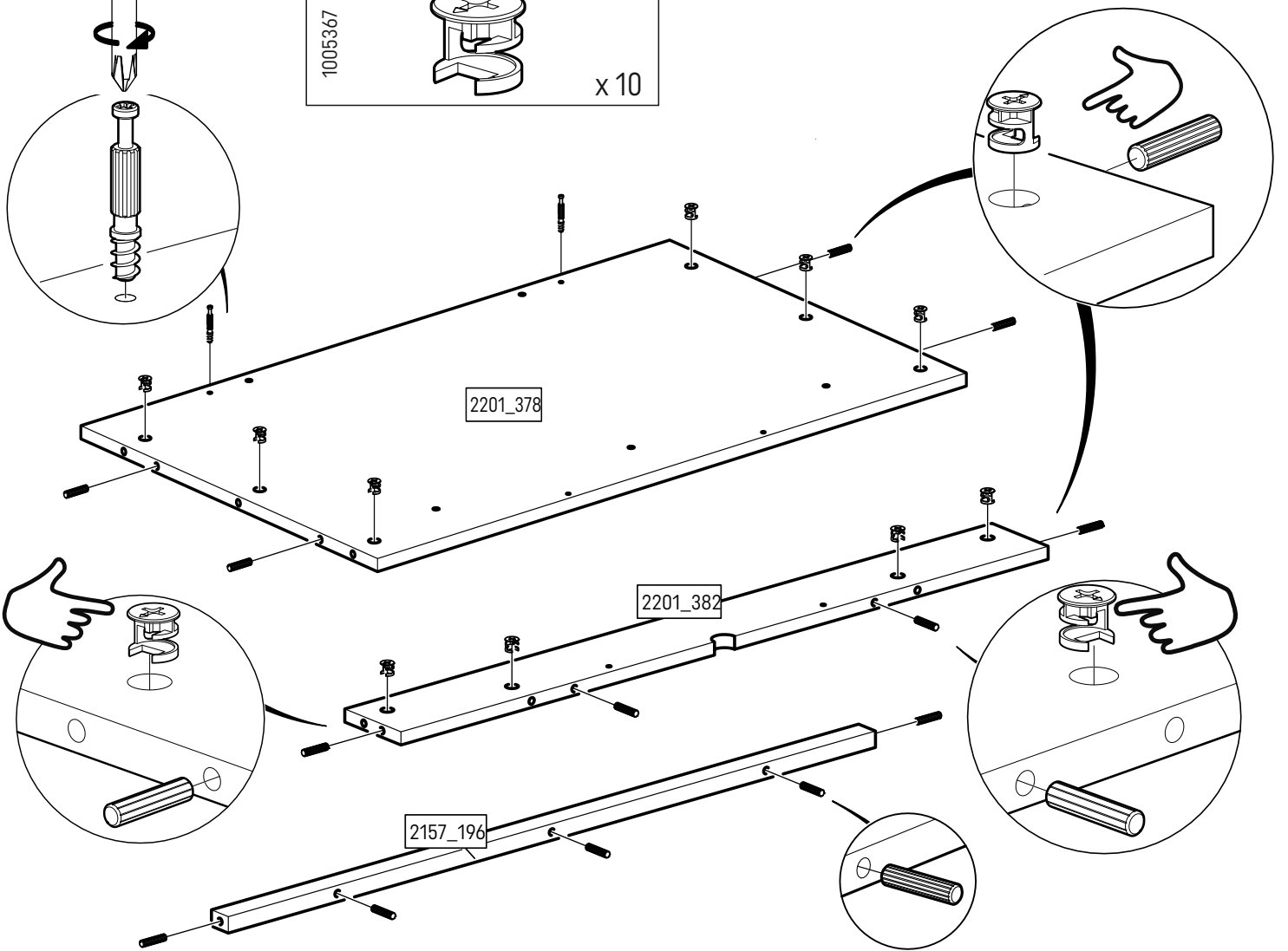
- 2201_378 x1 2213_126 x3 2223_135 x3 A x3
- 2157_196 x1 2201_388 x1 1112_234 x1 2223_318 x1
- 2201_382 x1 2201_383 x1 2223_125 x3

100806  x 1	1111440  x 1	100893  x 1	1002479  x 3
1005857  x 29	113118  x 3	1006091  x 30	1131155  x 3
1005367  x 30	1109474  x 2	1006012  x 30	1005987  x 2
1005713  x 24	1109473  x 2	1005876  x 15	1005687  x 3
1107571  x 2	1006022  x 4	1005377  x 4	

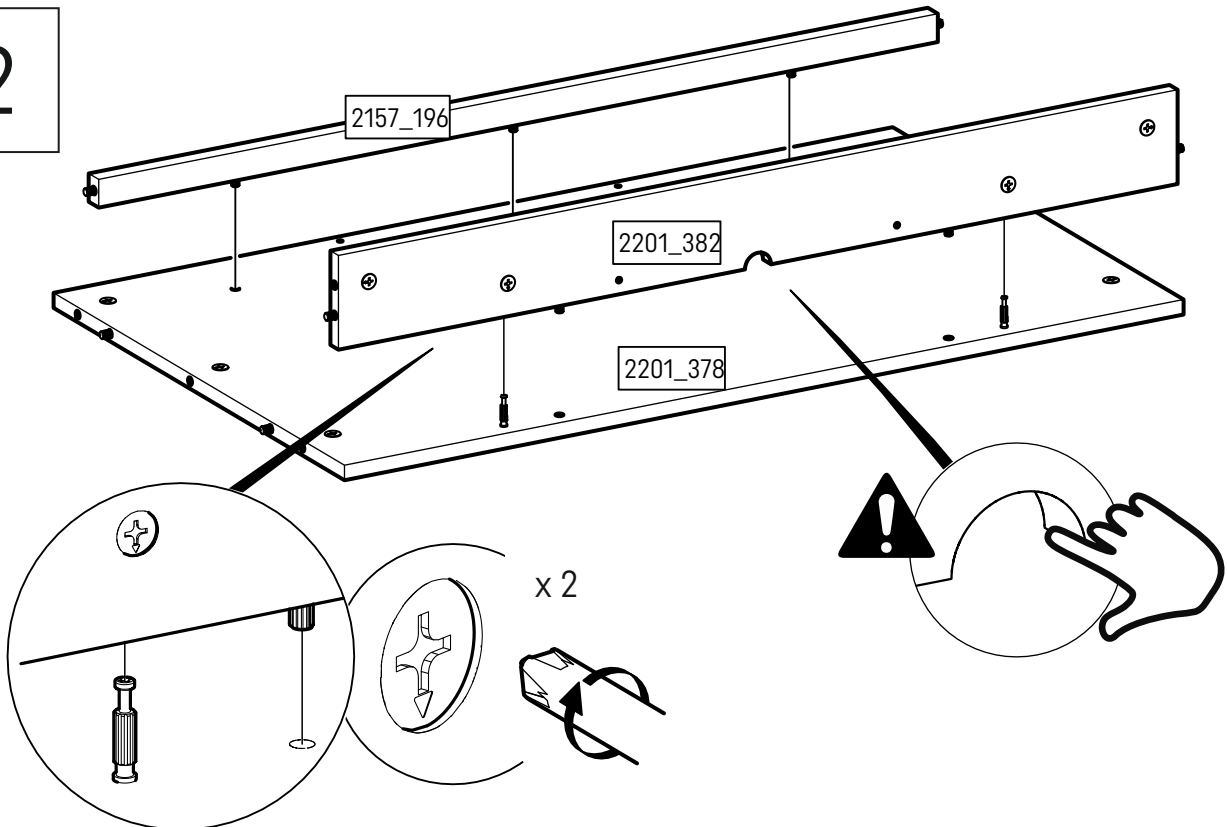


1	1	1005857 x 13	1006091 x 2
---	---	--------------	-------------

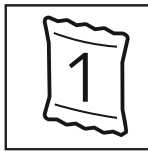
1005367	x 10
---------	------



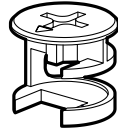
2



3

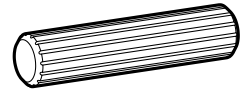


1005367

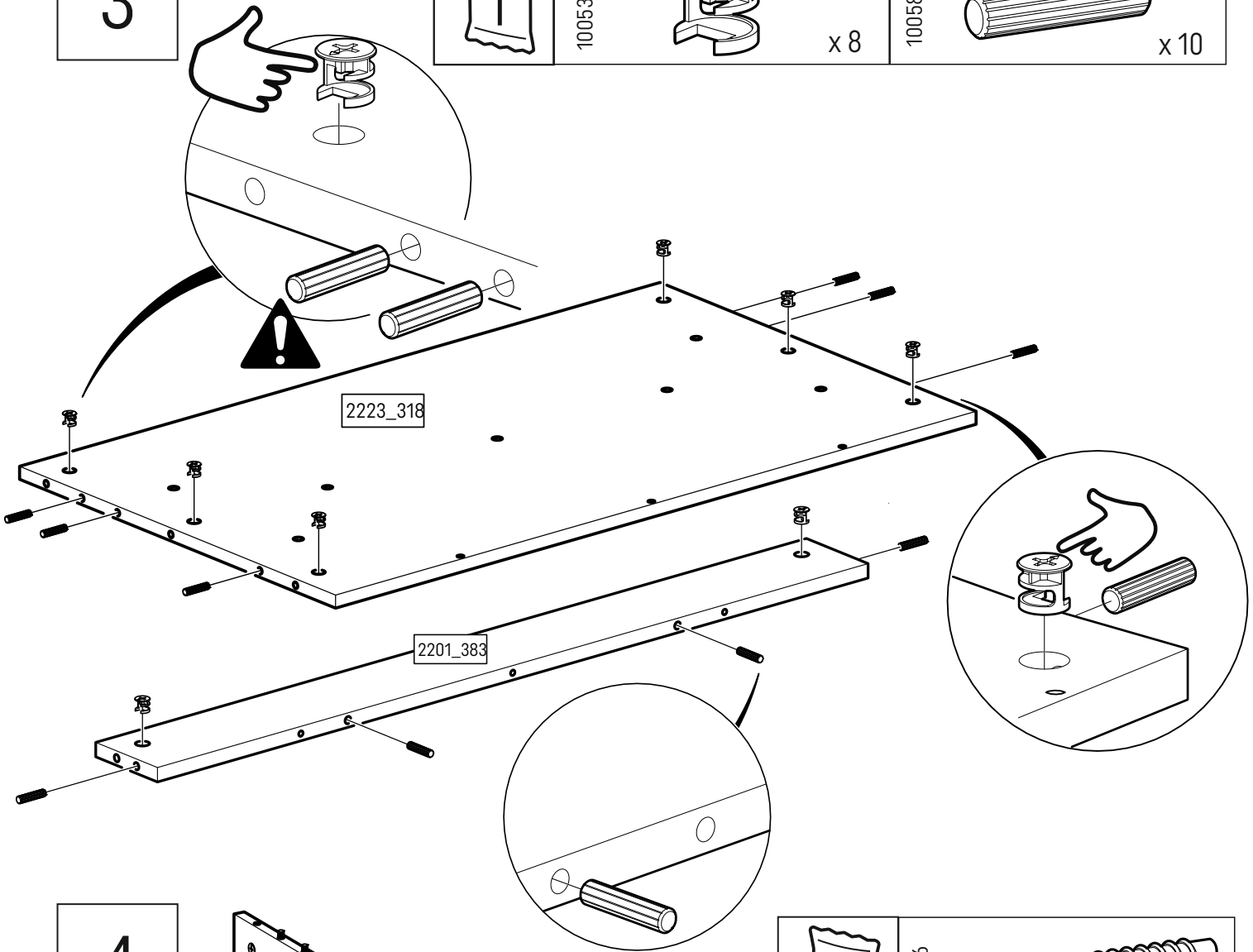


x 8

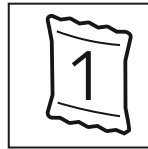
1005857



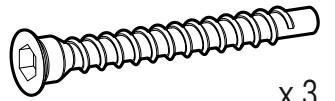
x 10



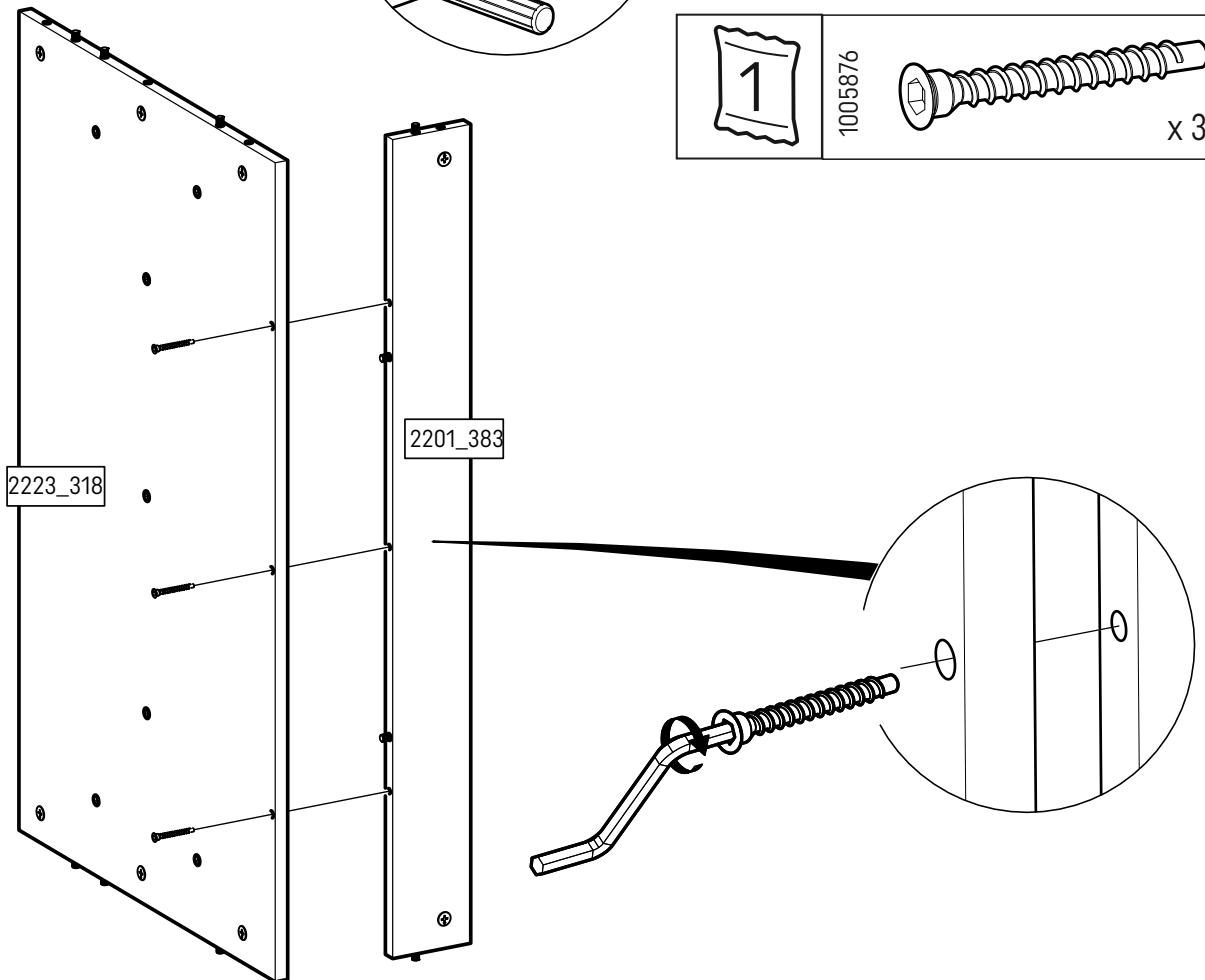
4



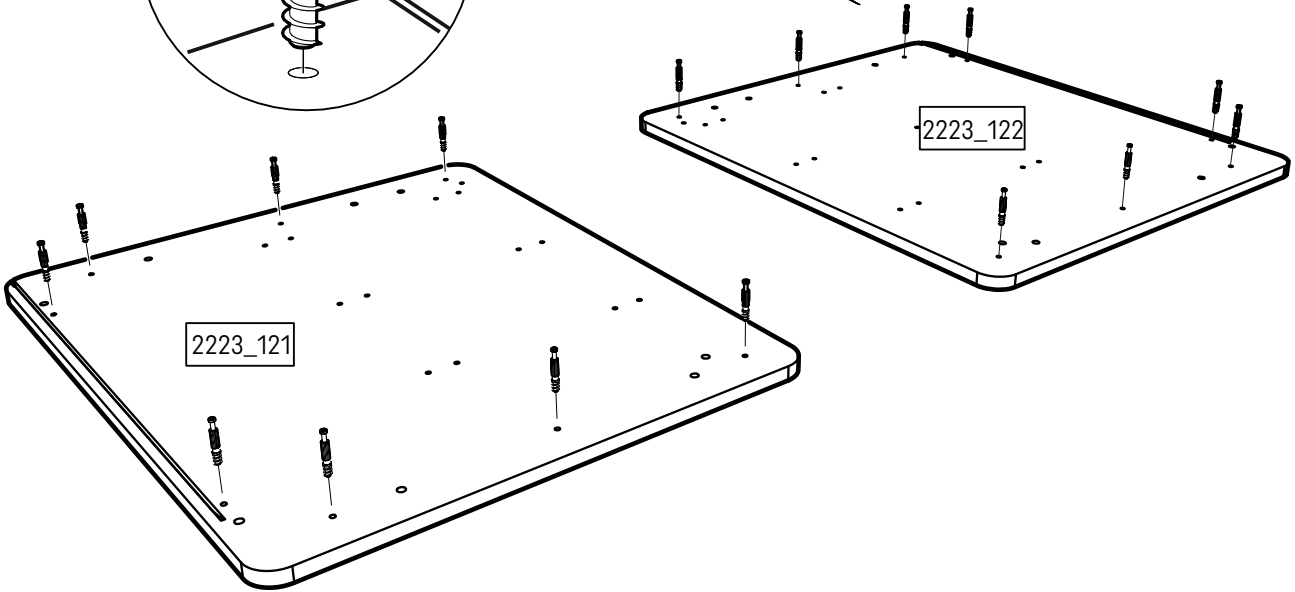
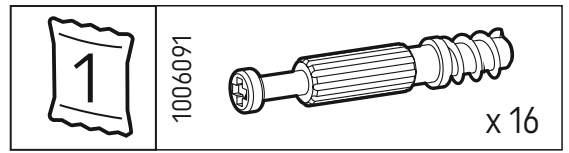
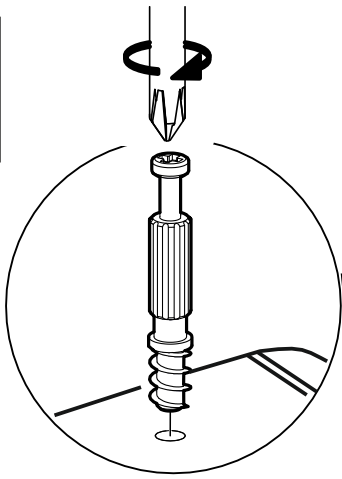
1005876



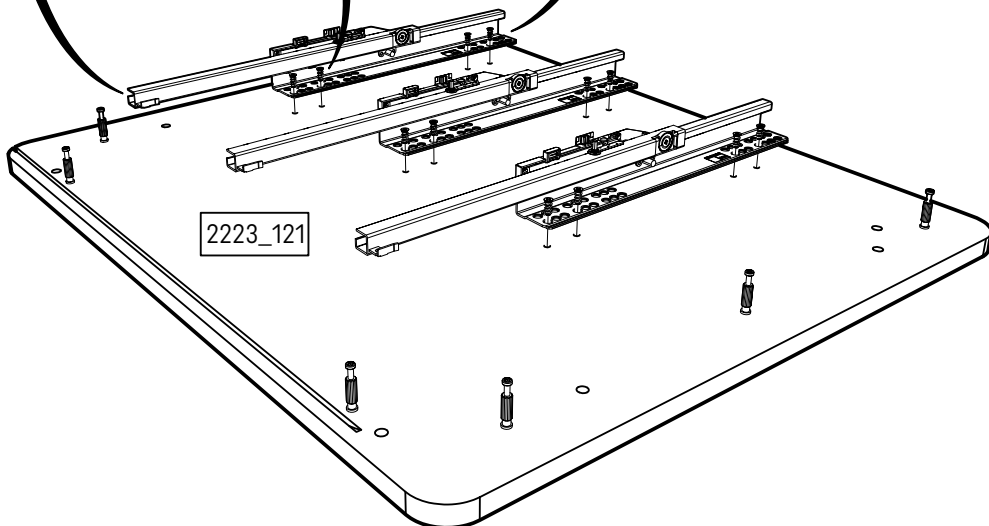
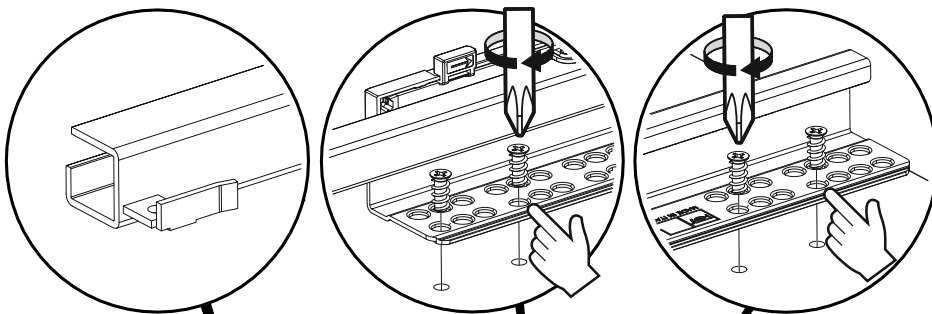
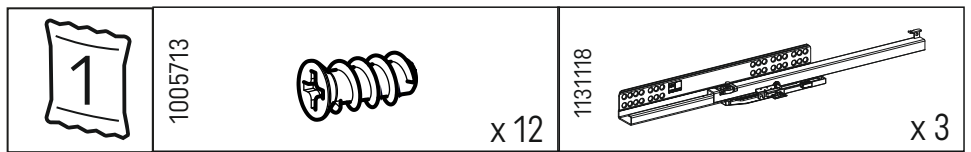
x 3





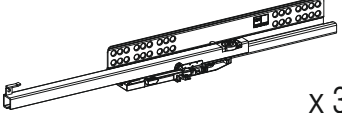
5

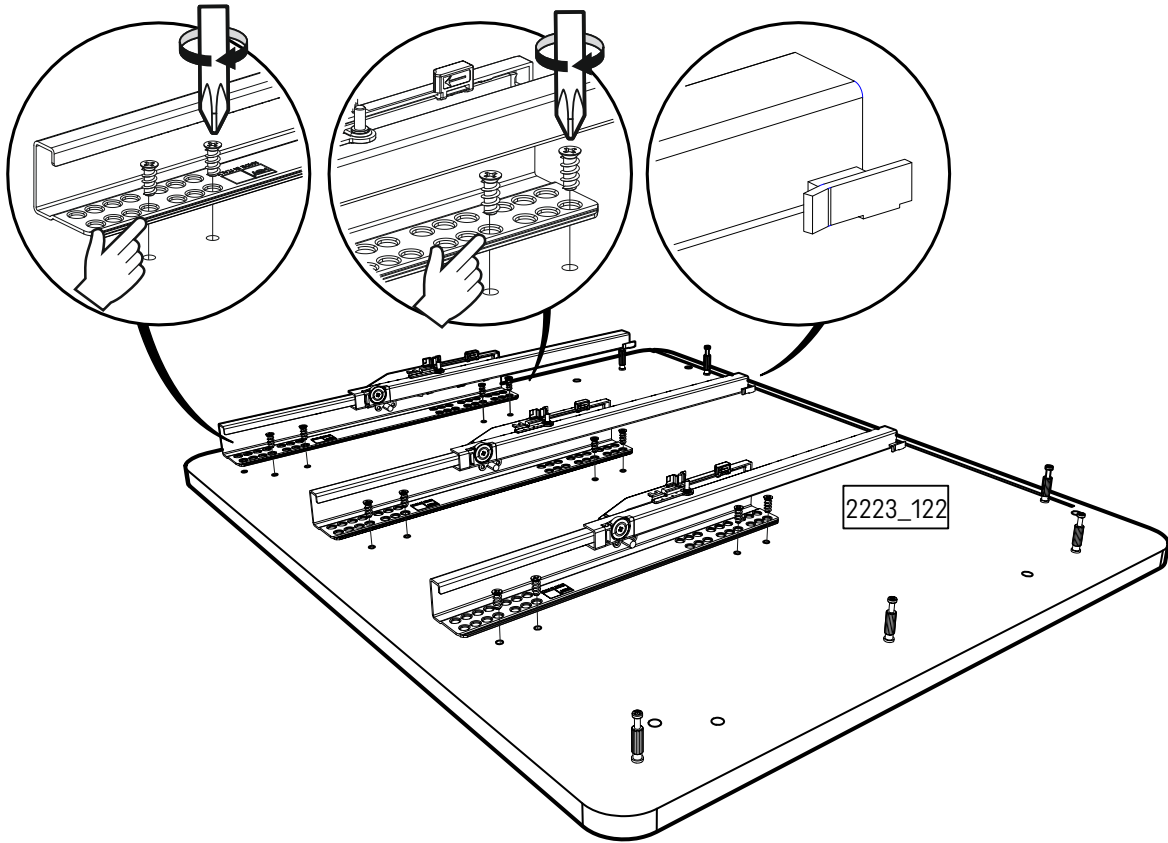


6

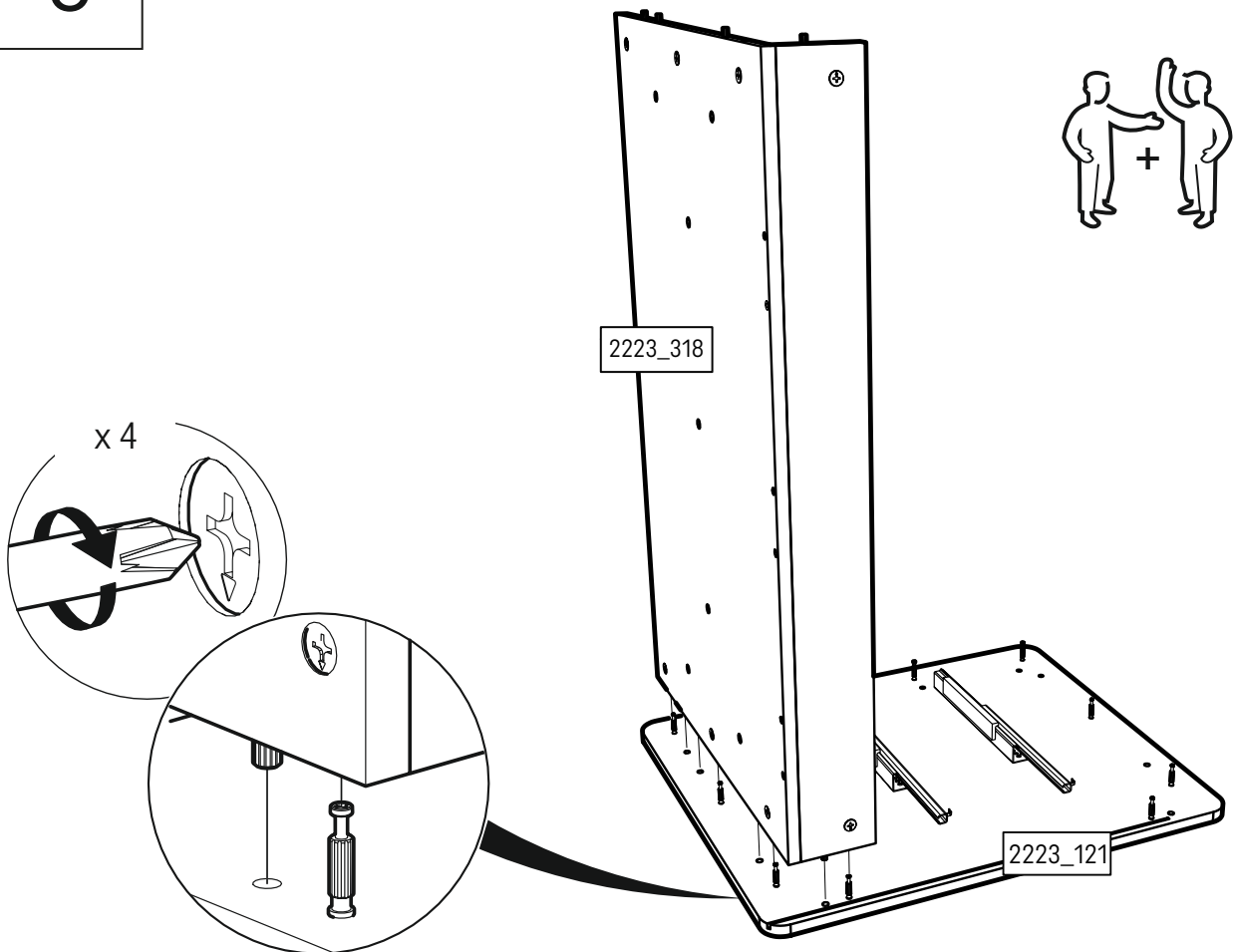


7

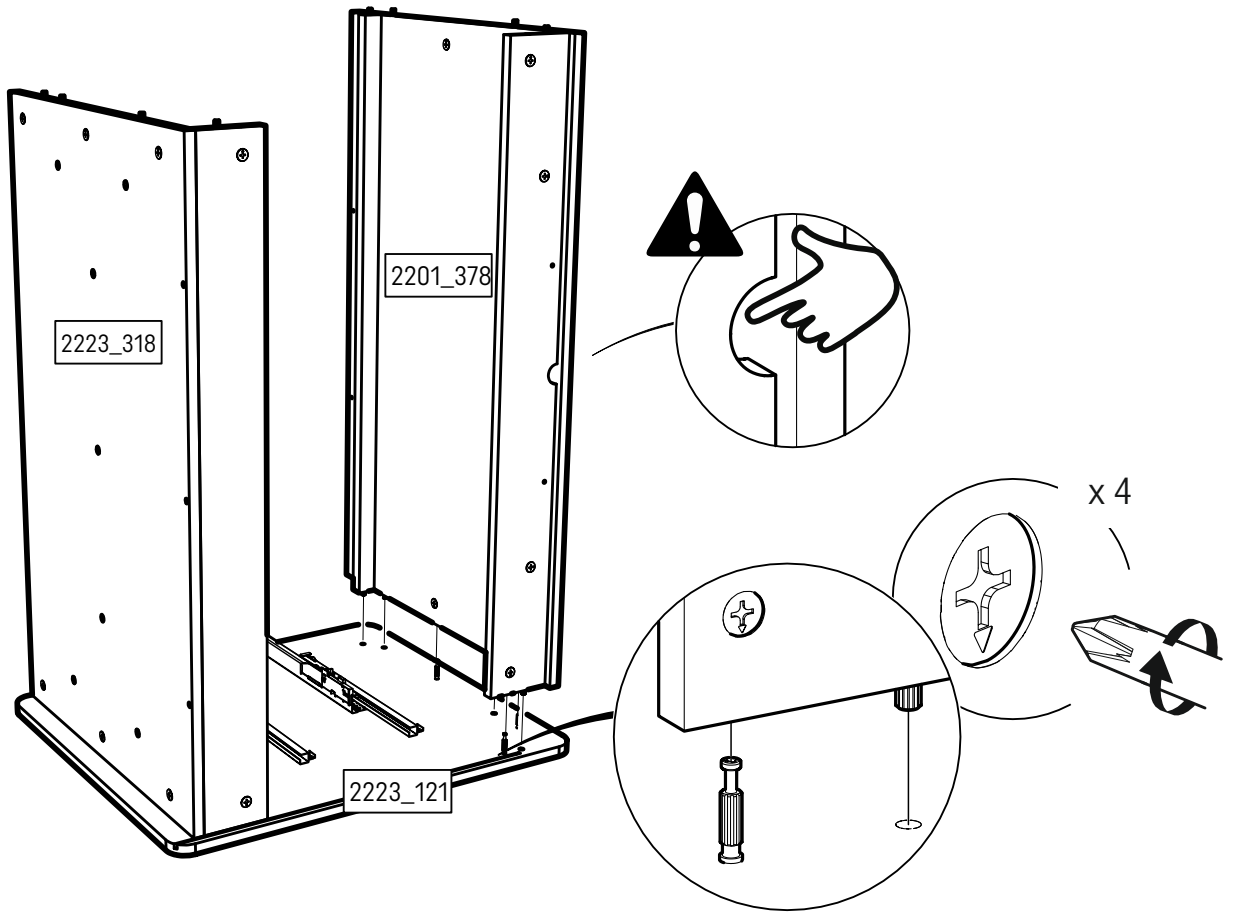
 <p>1</p>	<p>1005713</p>	 <p>x 12</p>	<p>1131118</p>  <p>x 3</p>
---	----------------	---	--



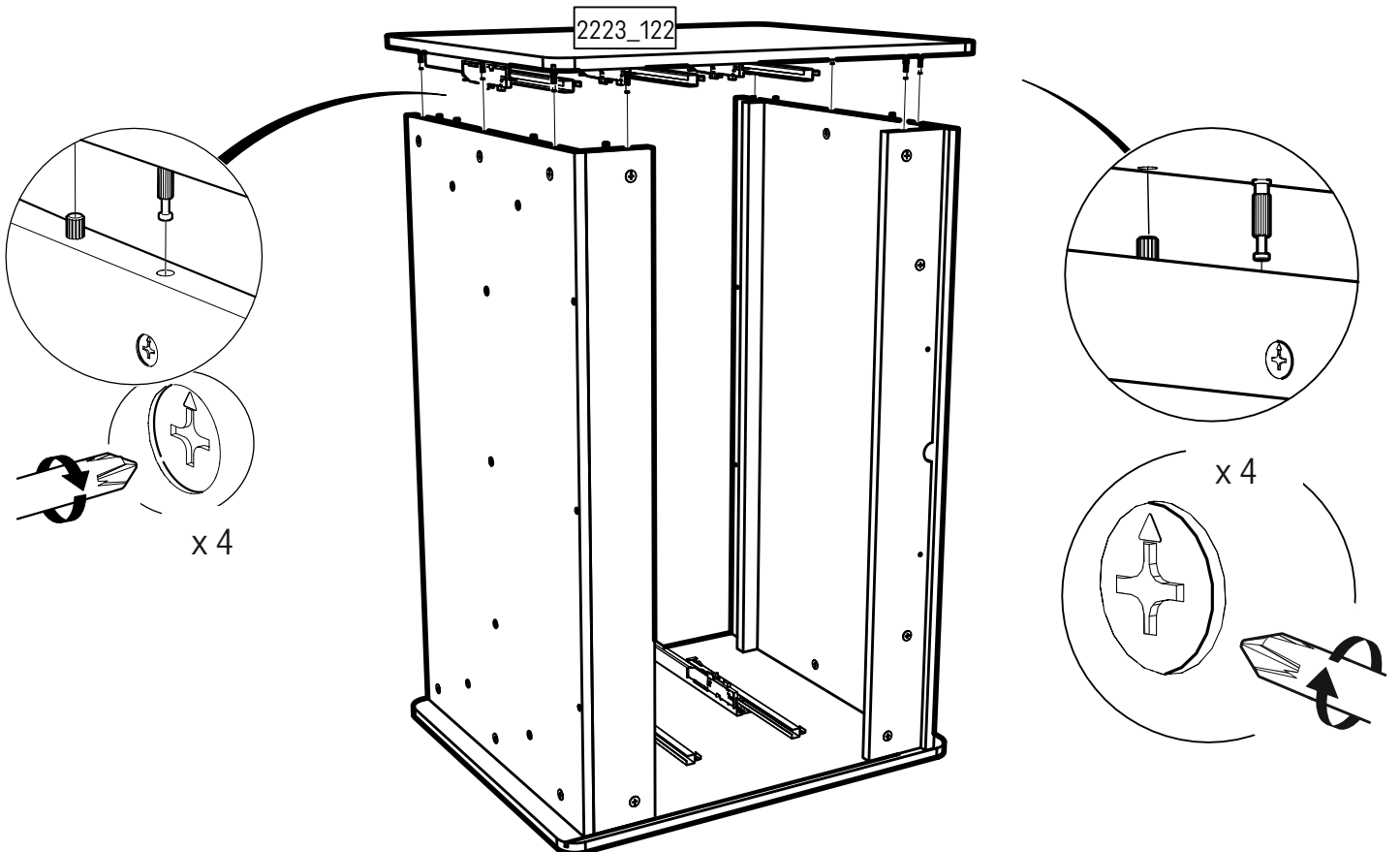
8



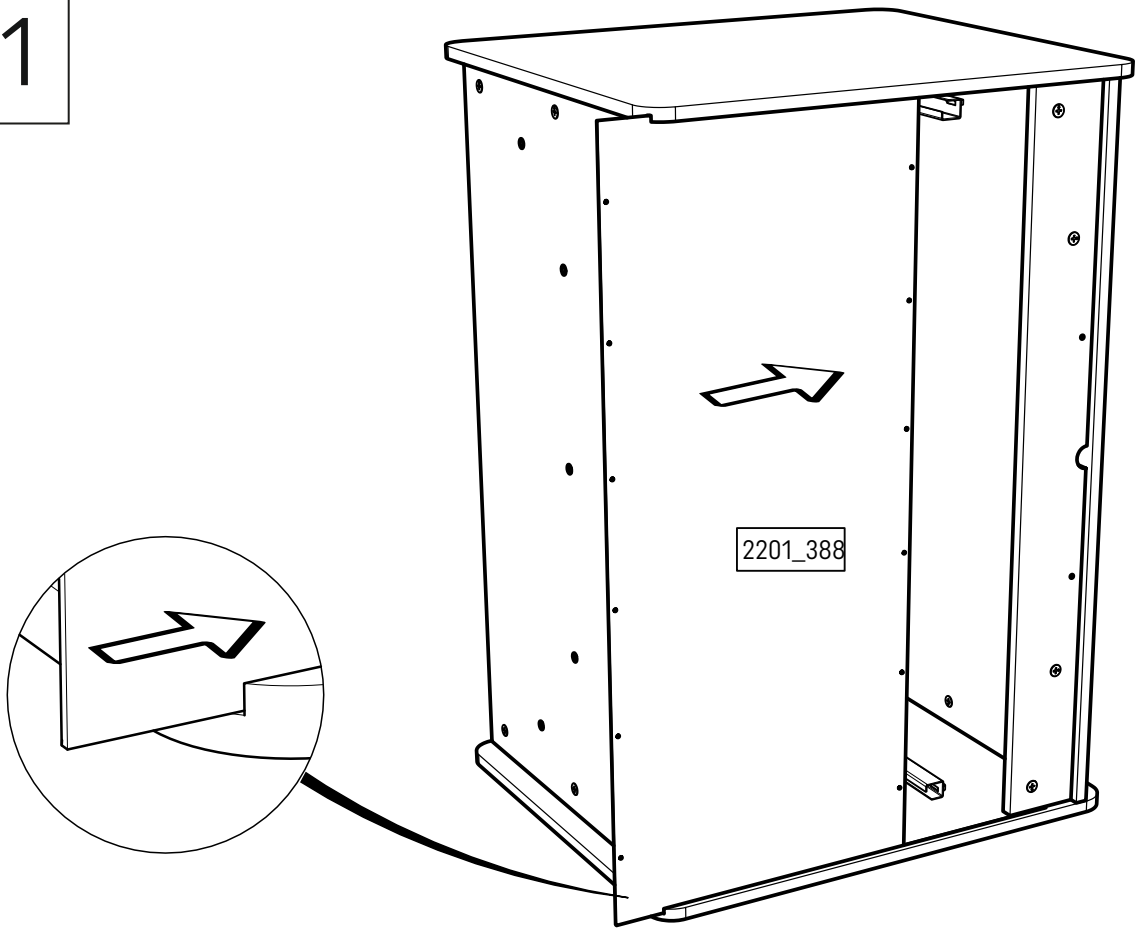
9





10

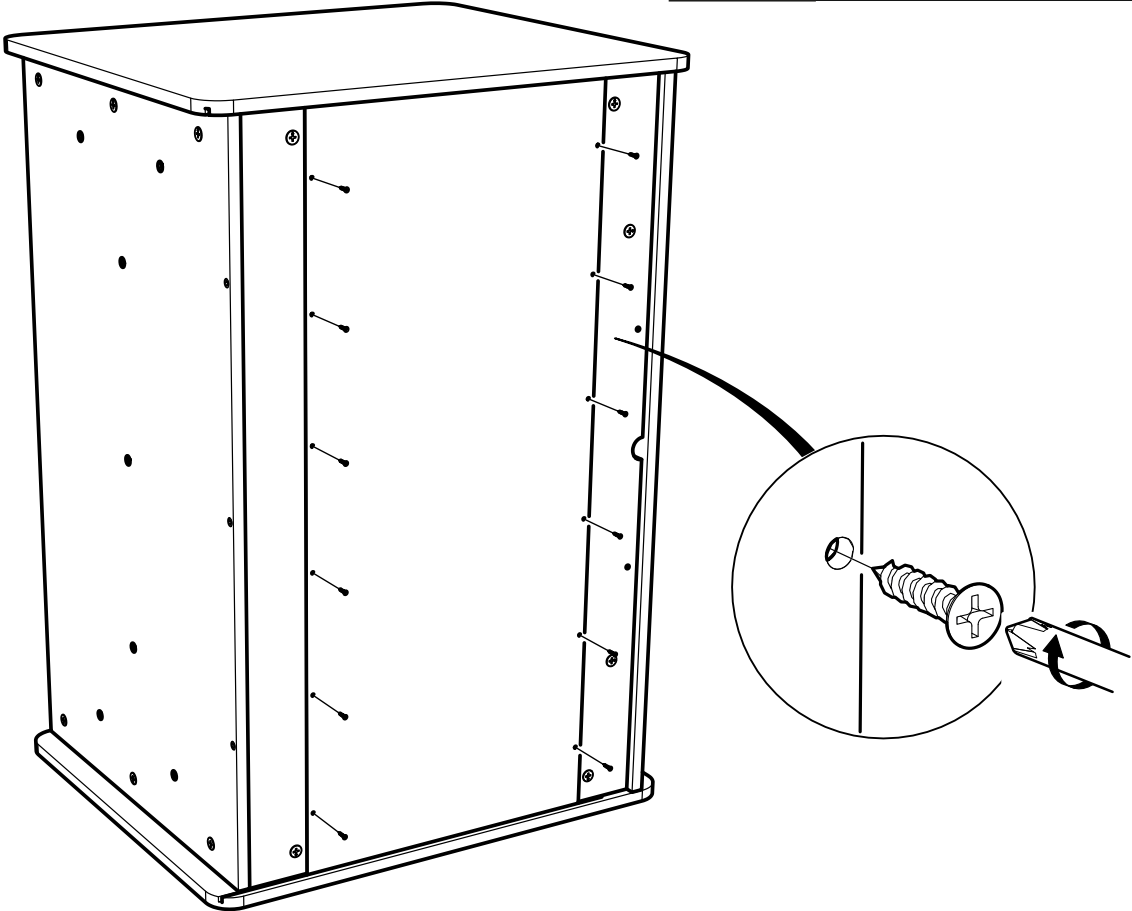


11


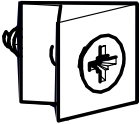


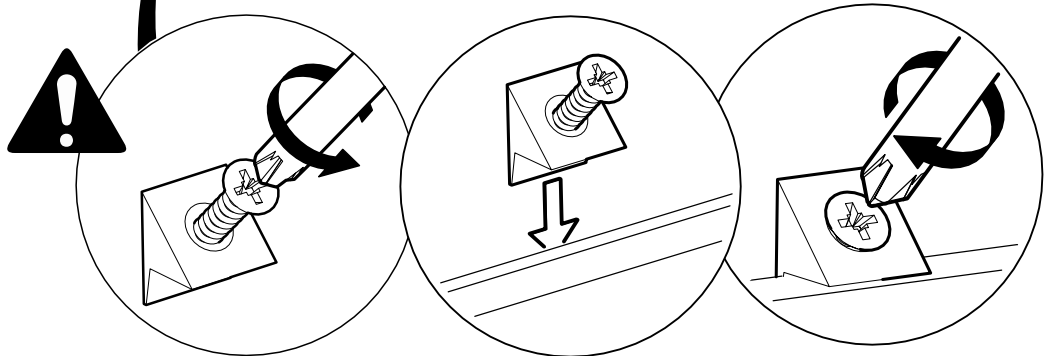
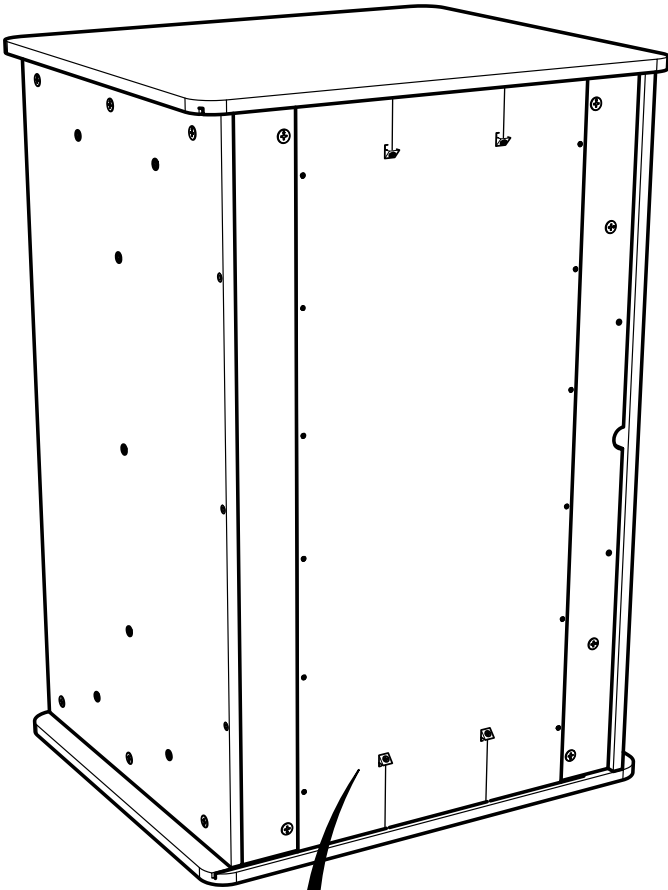
12

 <p>2</p>	<p>1006012</p>	 <p>x 12</p>
--	----------------	---


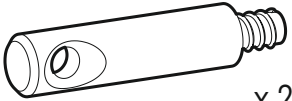


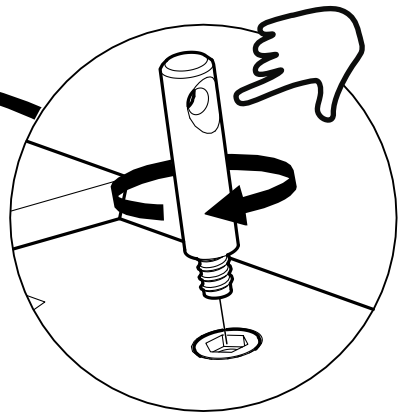
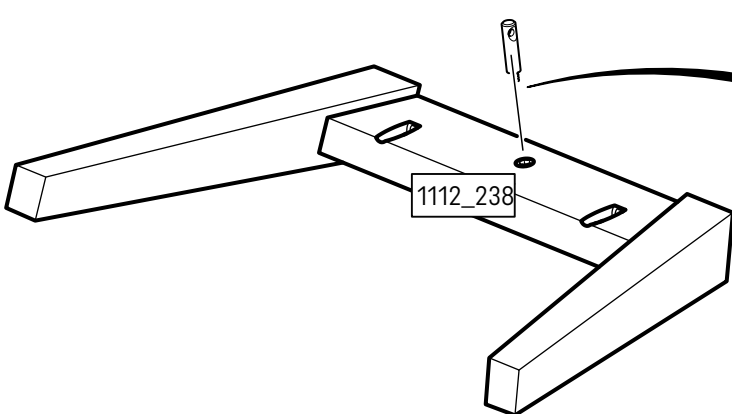
13

	1006022		x 4
--	---------	--	-----



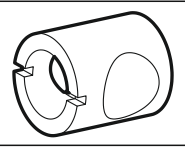
14

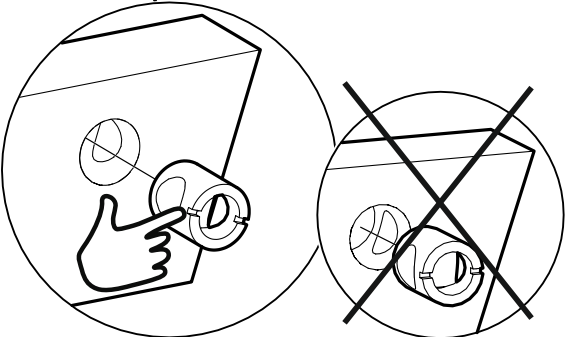
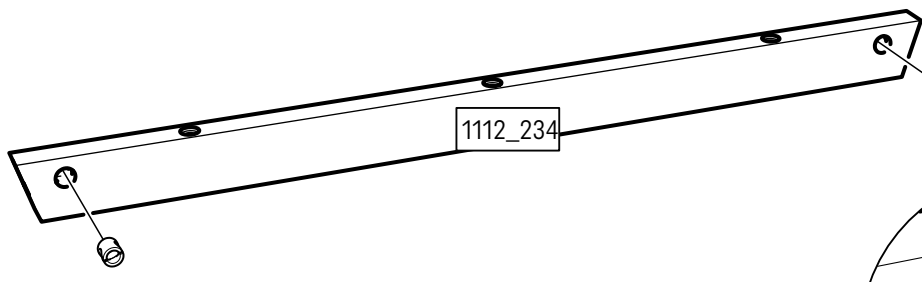
	1107571		x 2
---	---------	---	-----



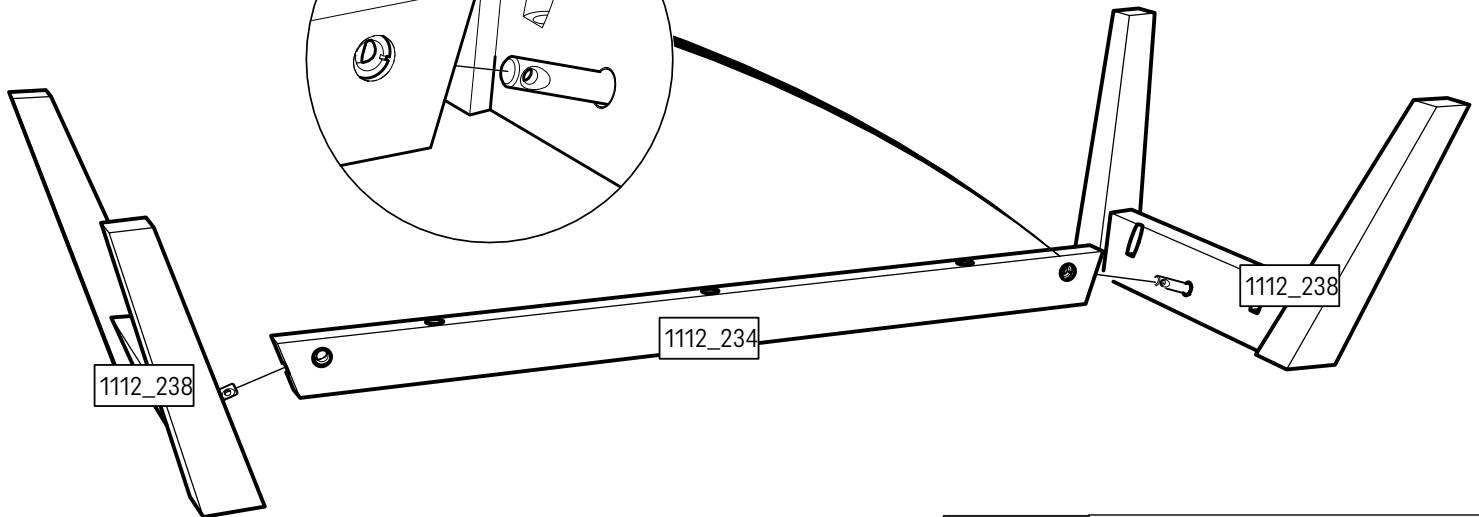
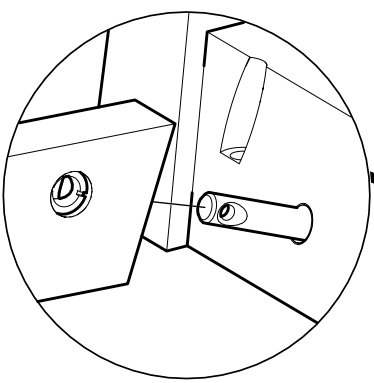
x 2

15

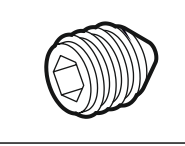
2	1109473	 x 2
---	---------	--

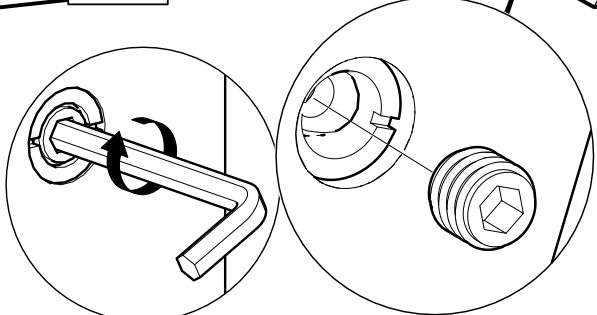


16

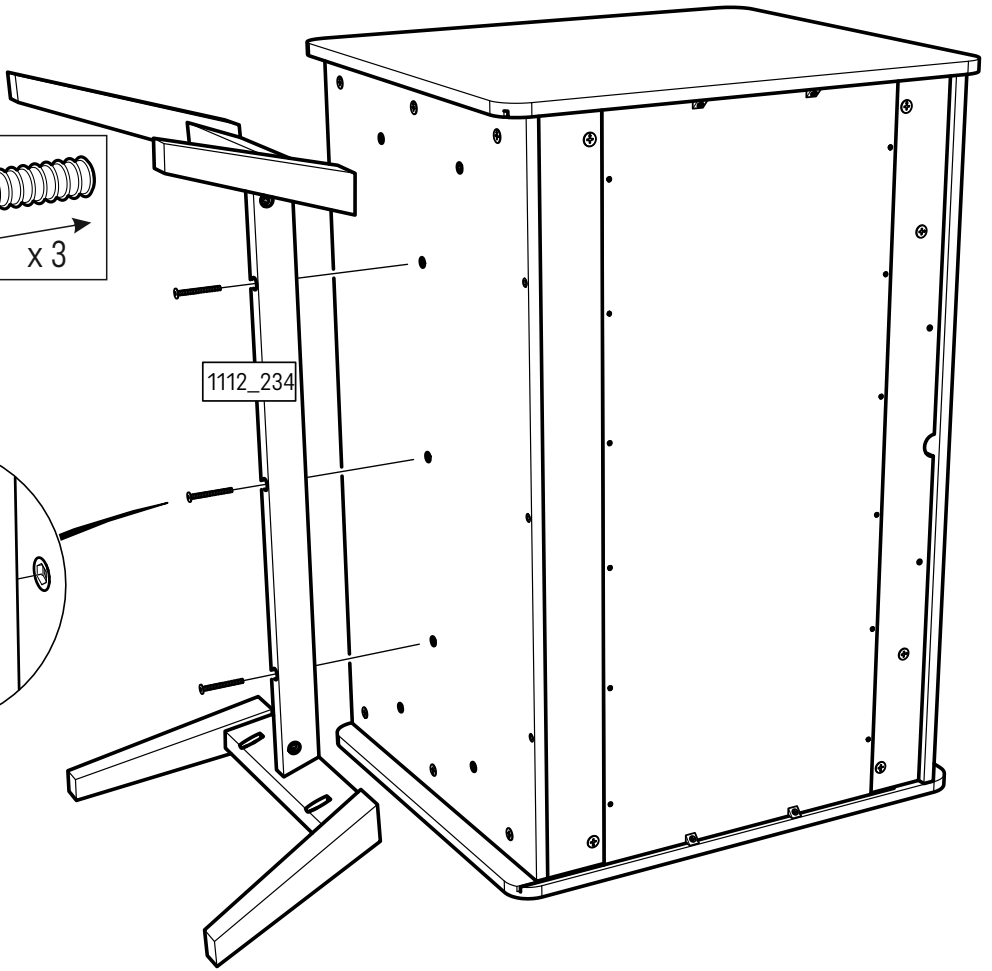
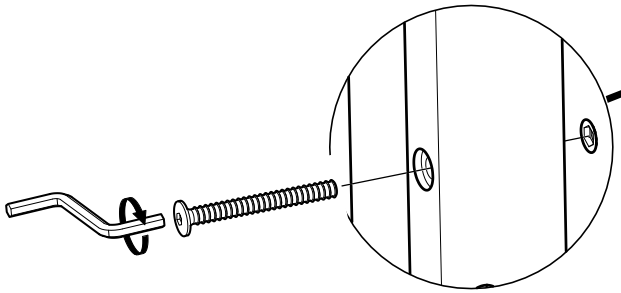
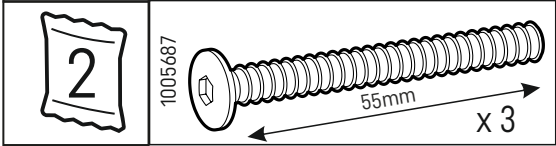


17

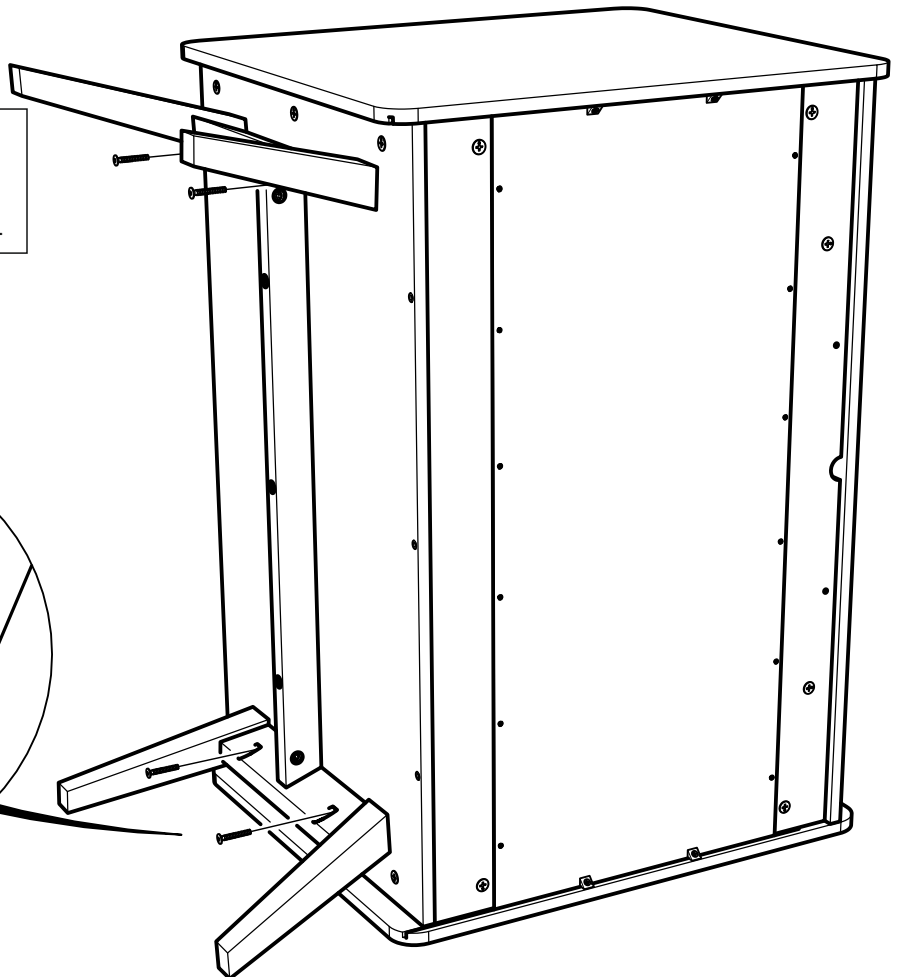
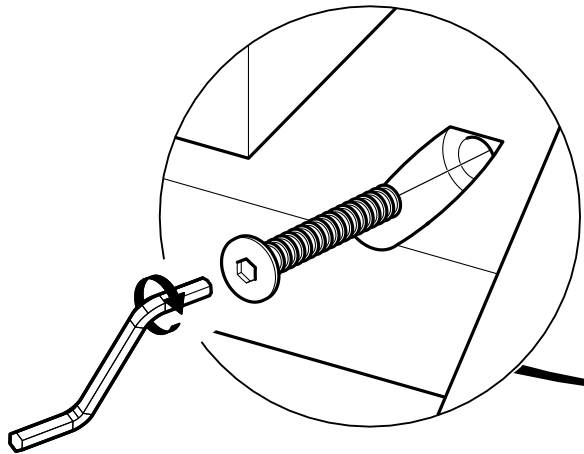
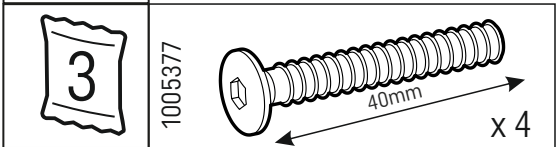
2	1109474	 x 2
---	---------	---



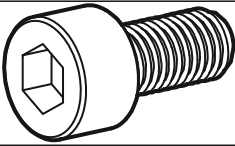
18

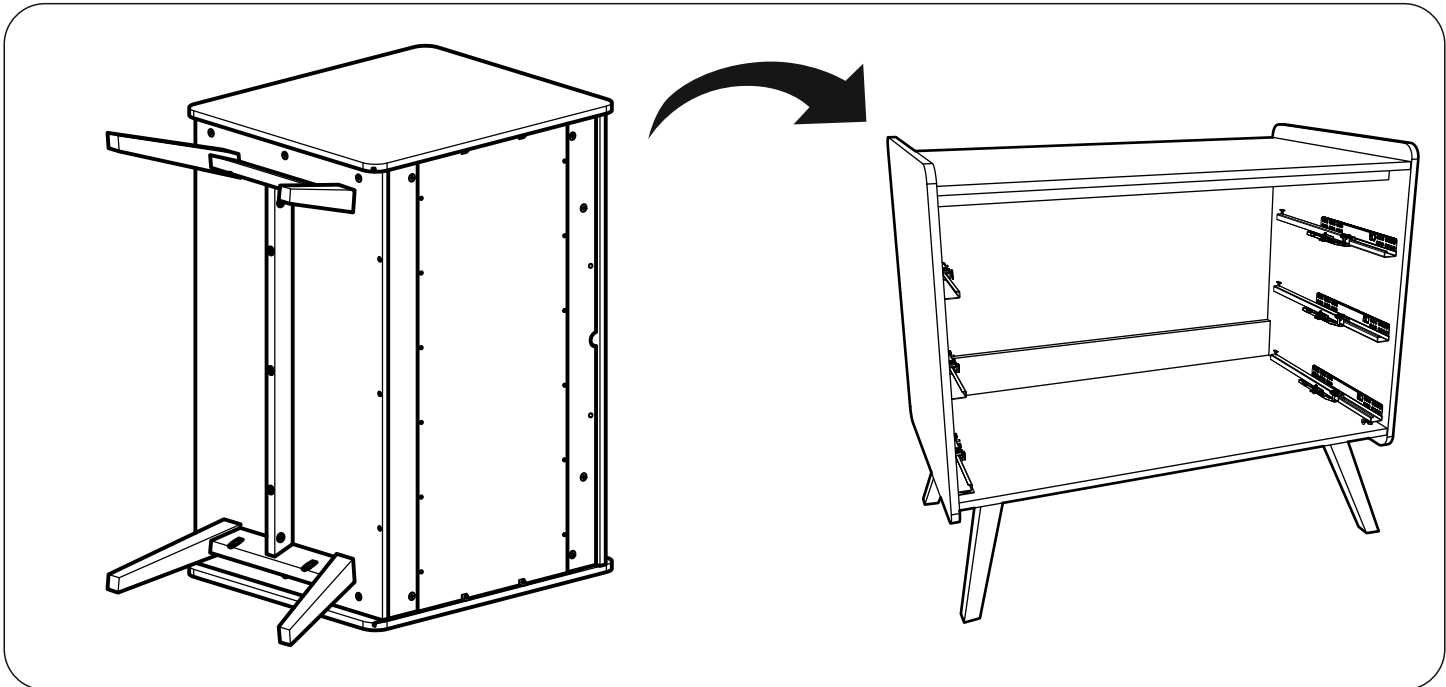
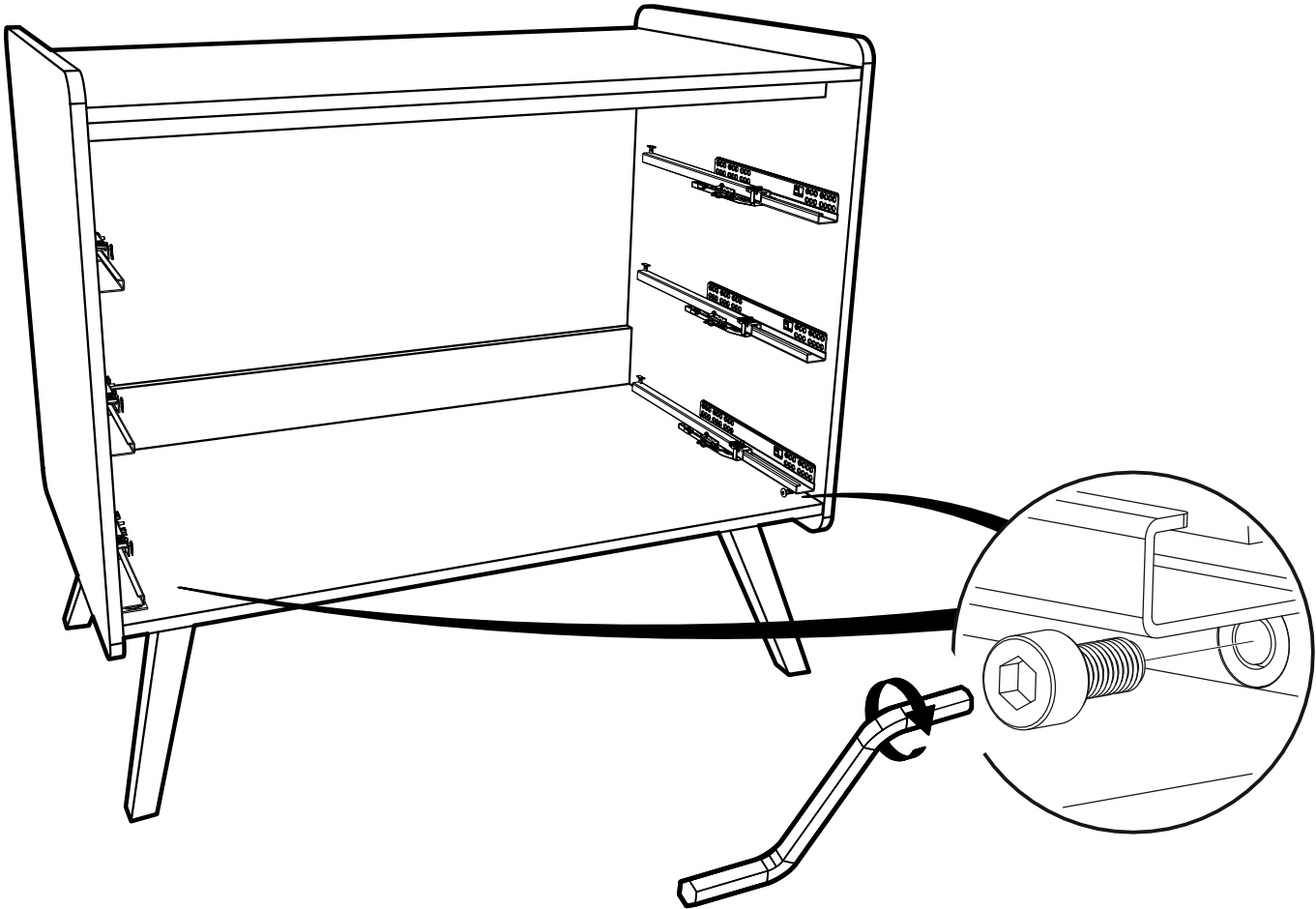


19

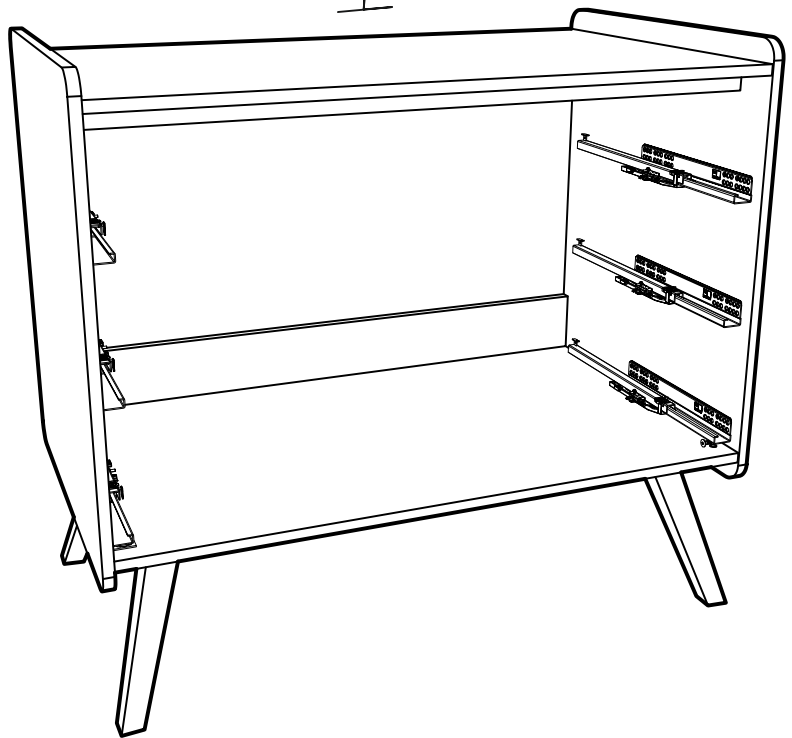
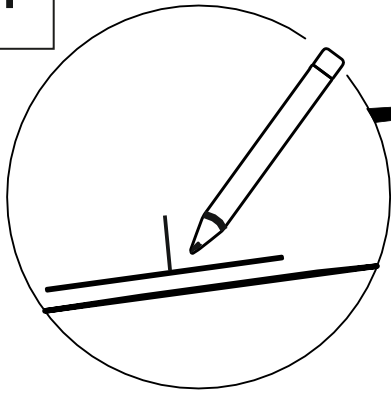


20

3	1005987		x 2
---	---------	--	-----

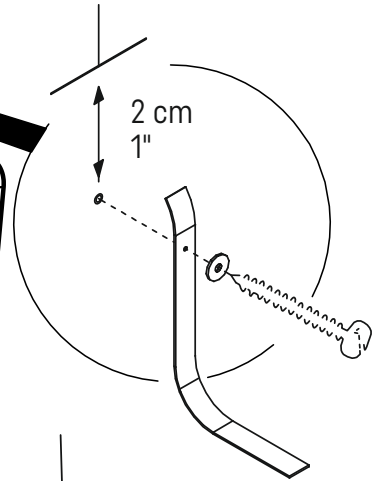


21

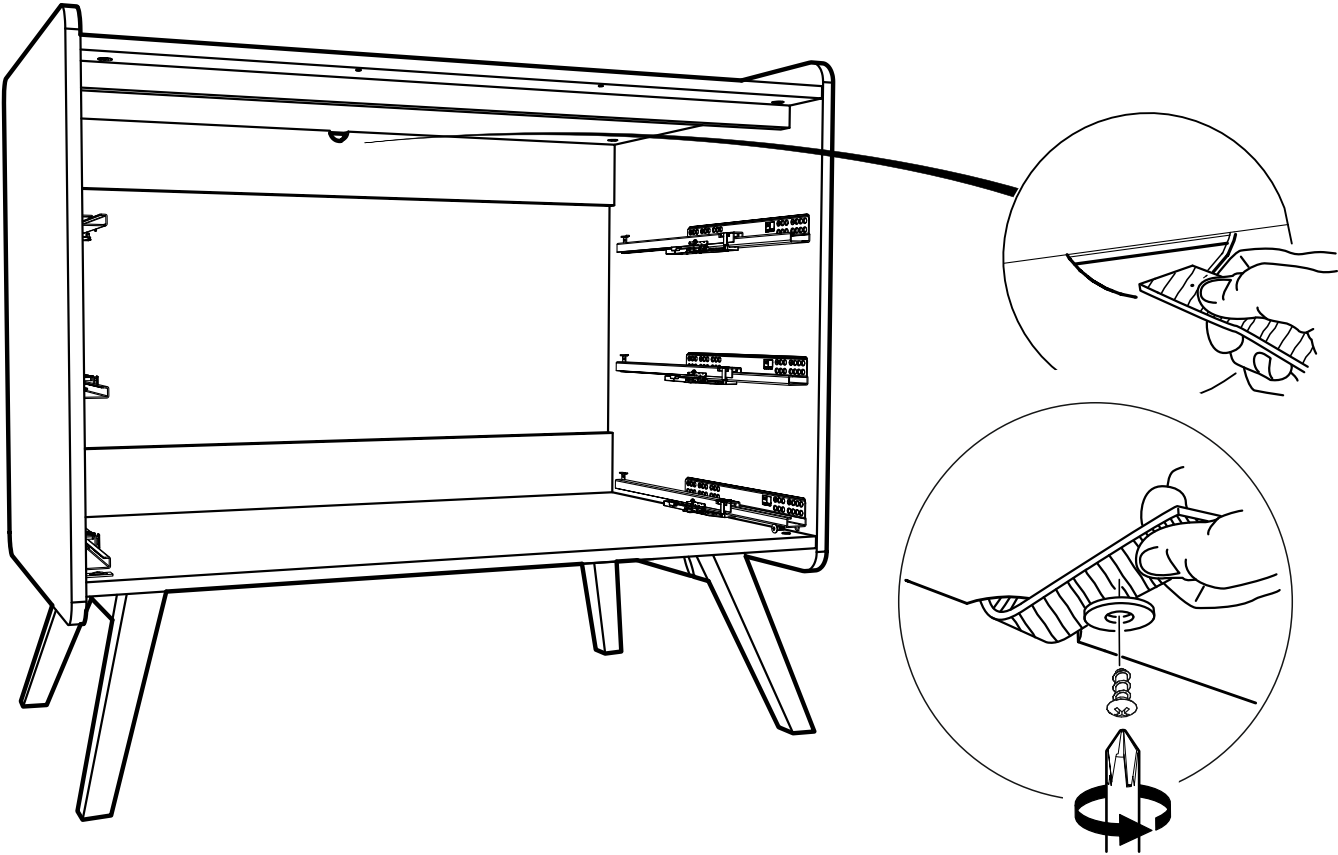


22

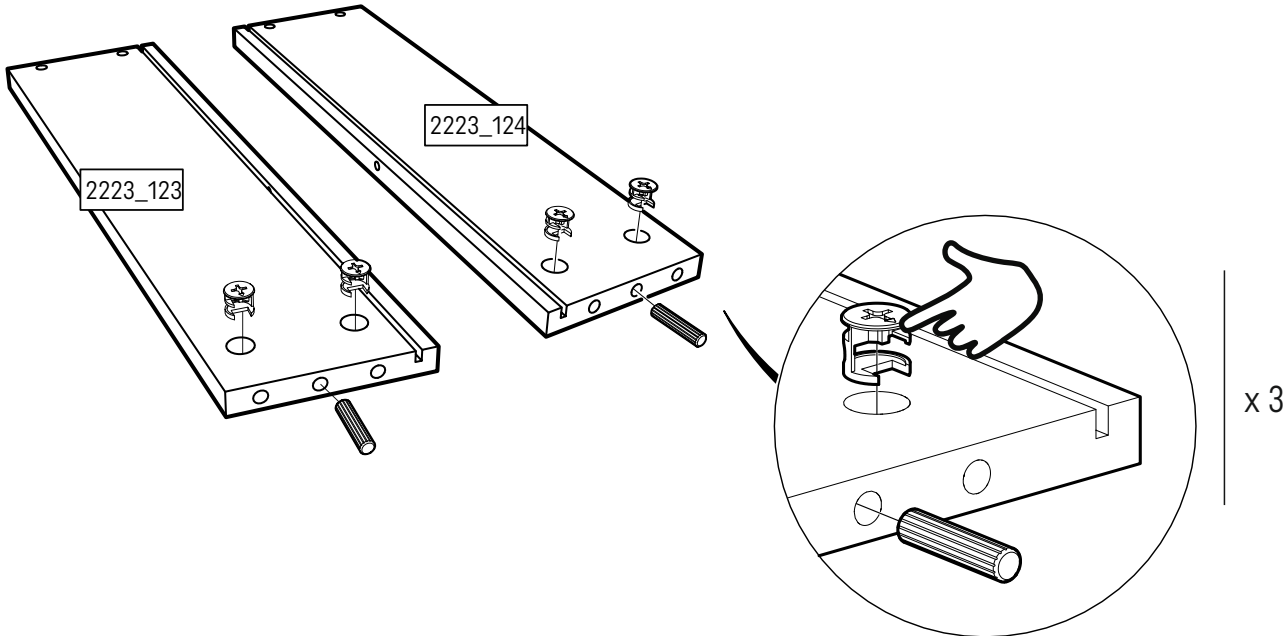
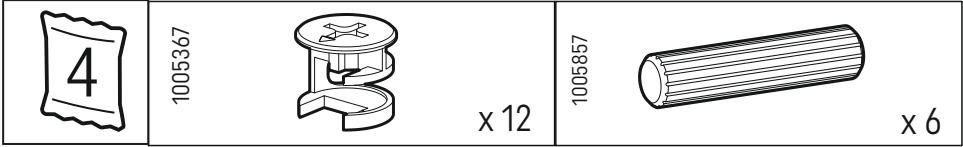
3	1000893	x1
---	---------	----



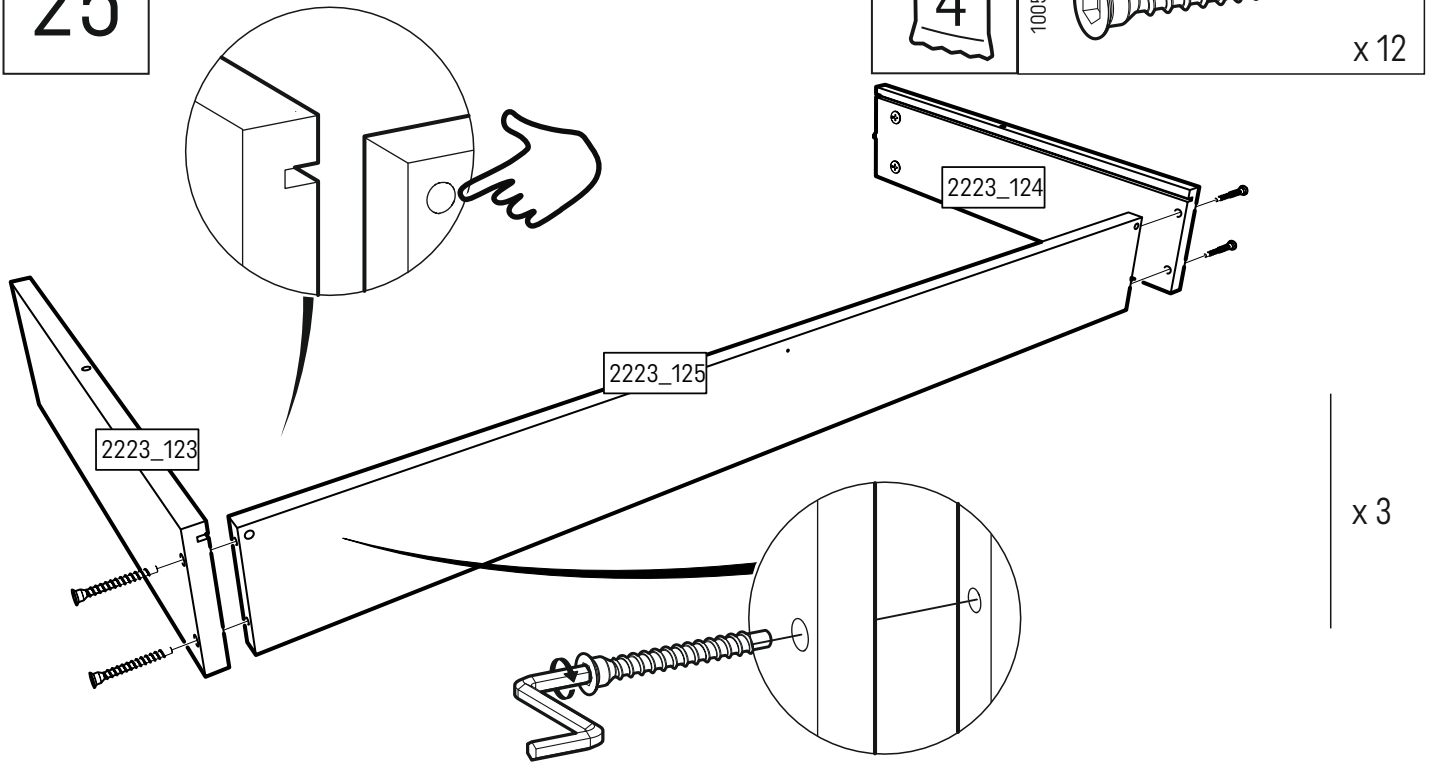
23



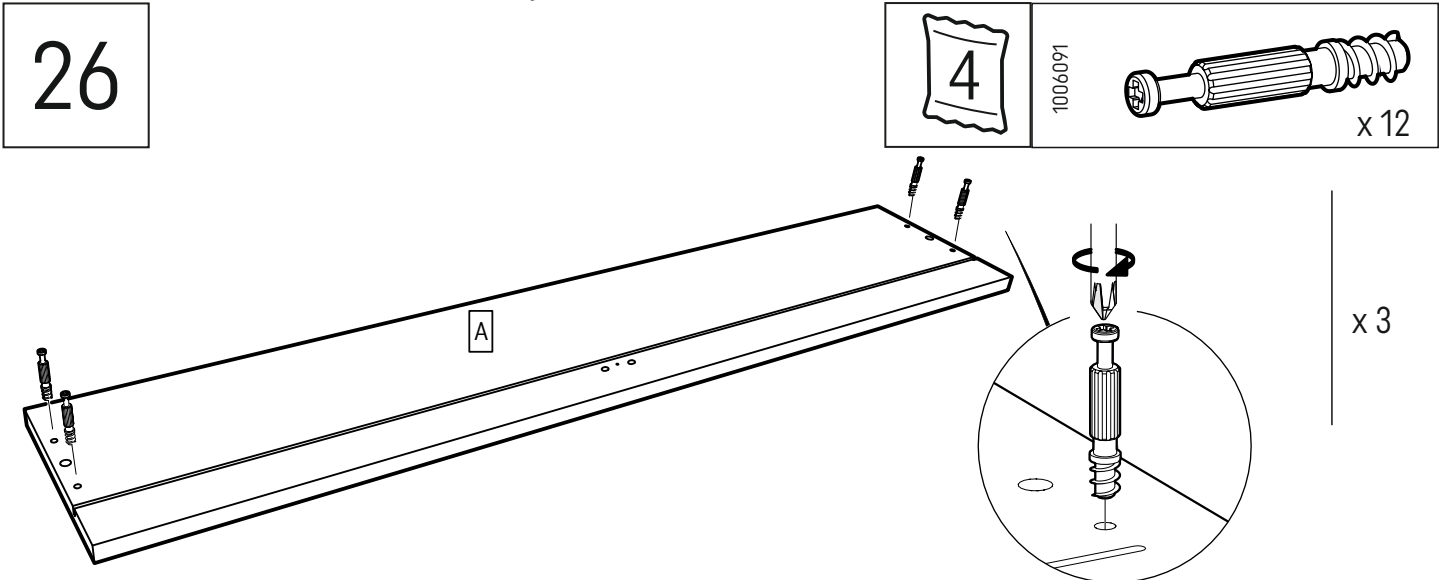
24



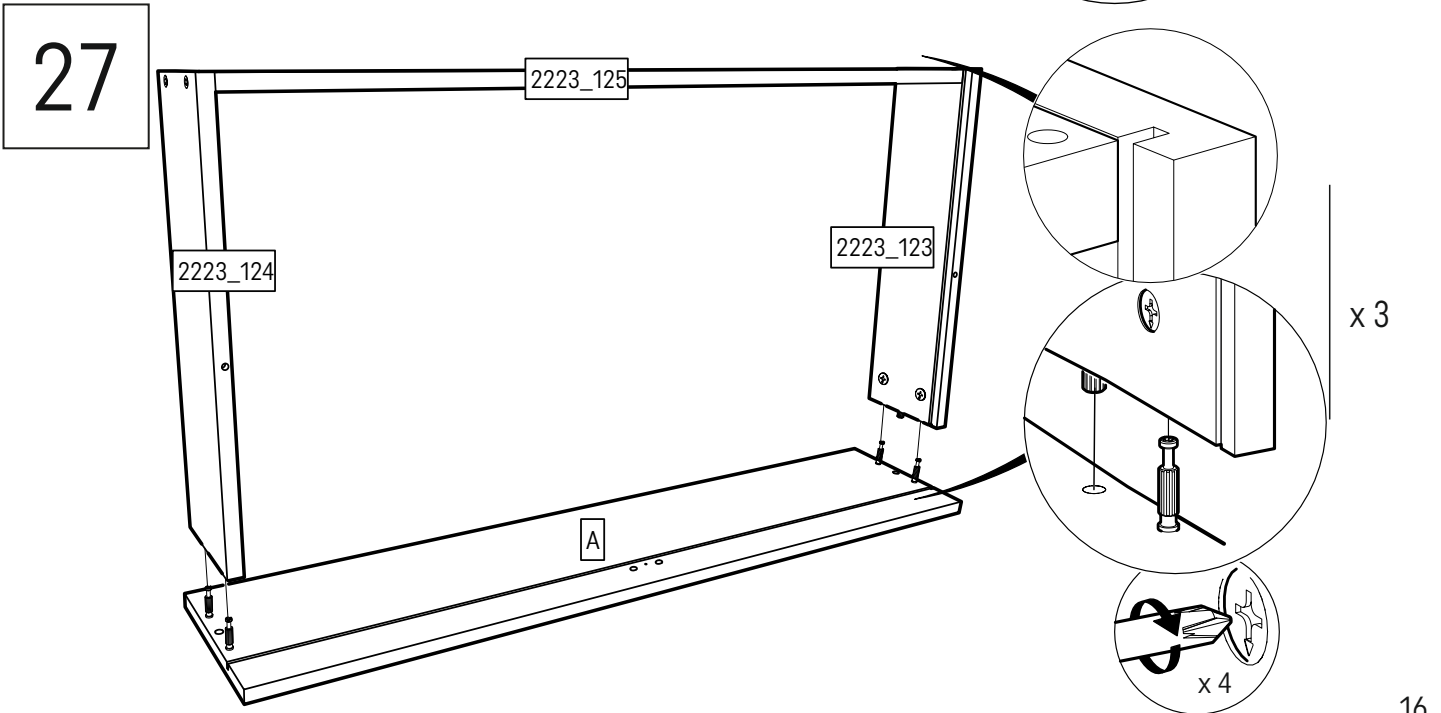
25



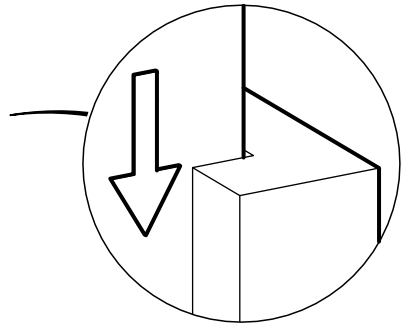
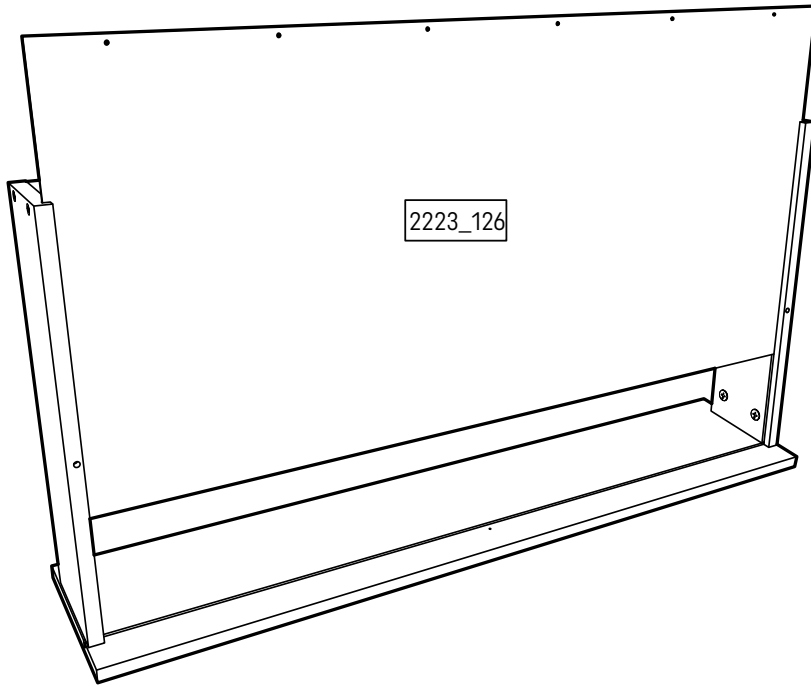
26



27

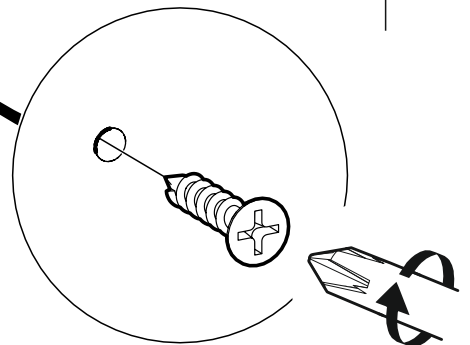
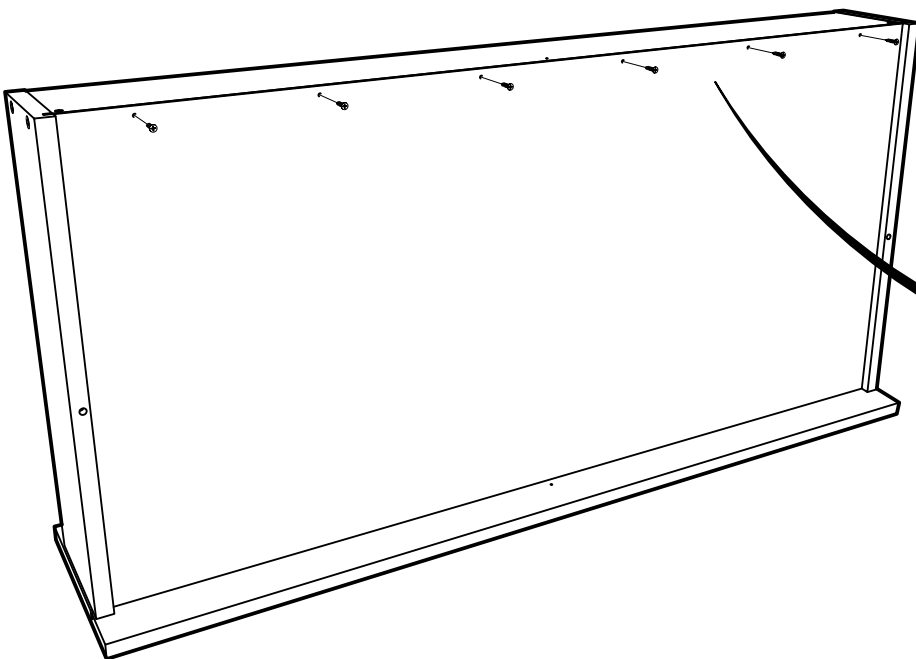
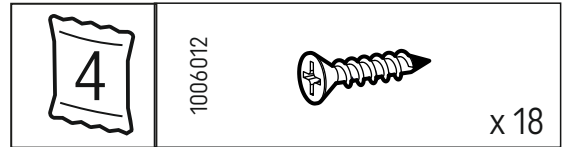


28





x 3

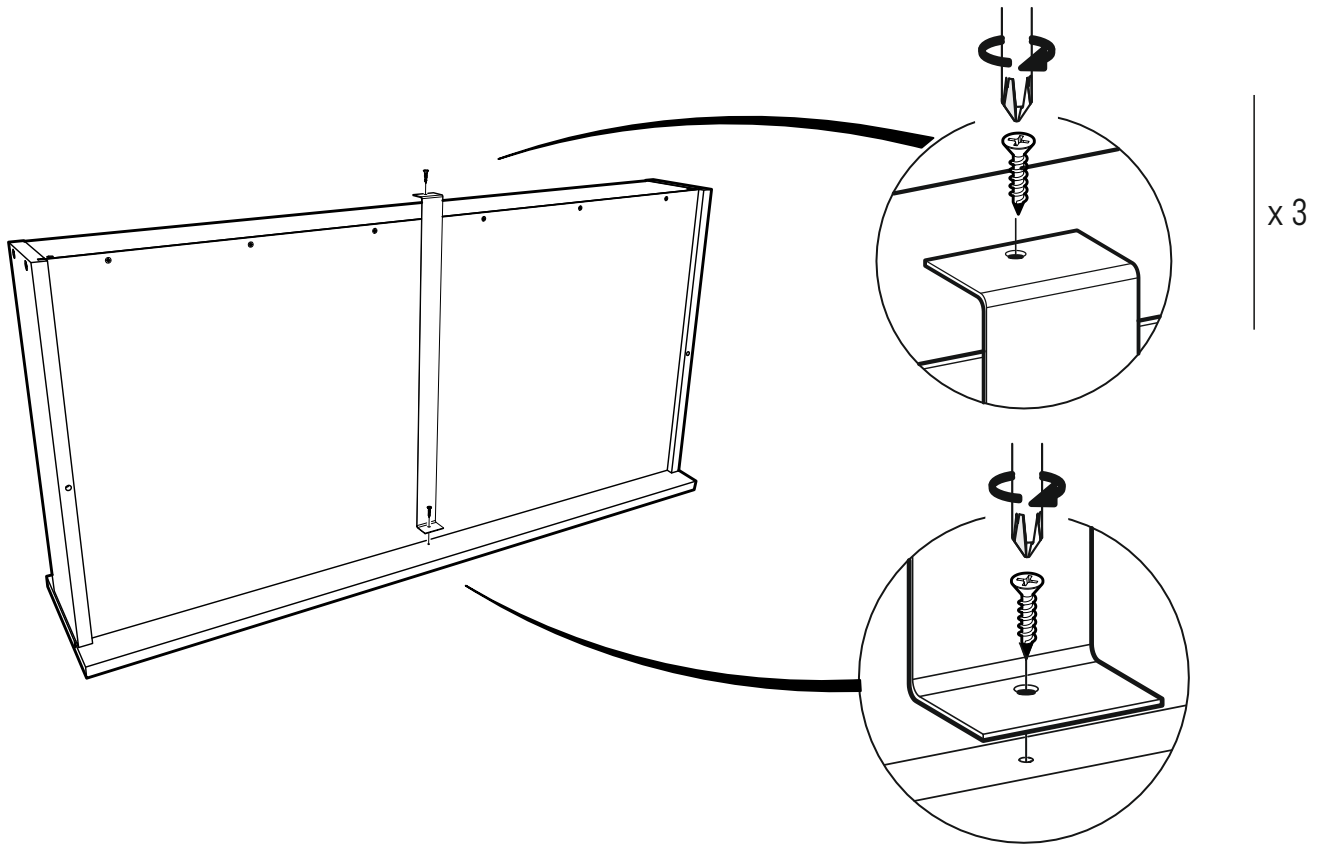
29



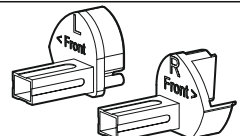
x 3

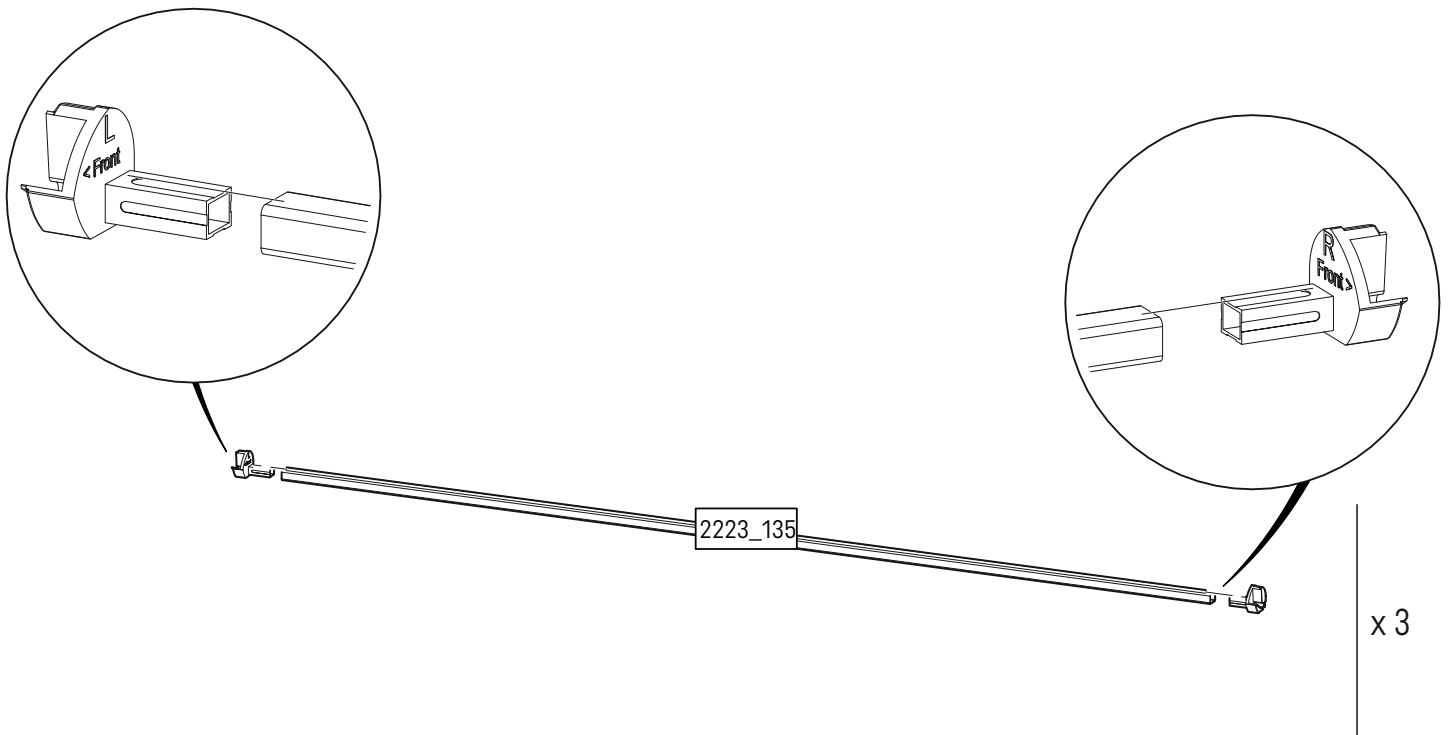
30

<p>4</p>	<p>1002479</p>  <p>x 3</p>	<p>1006012</p>  <p>x 6</p>
----------	--	---

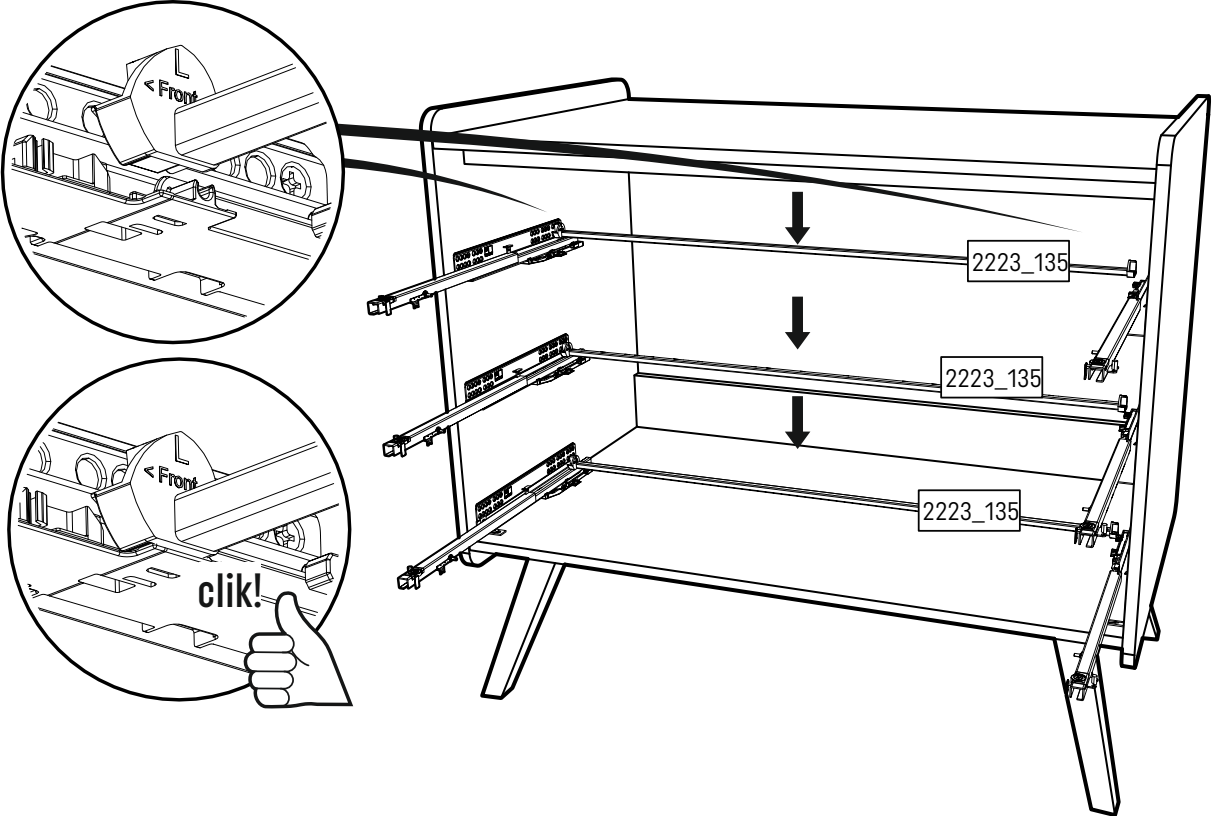


31

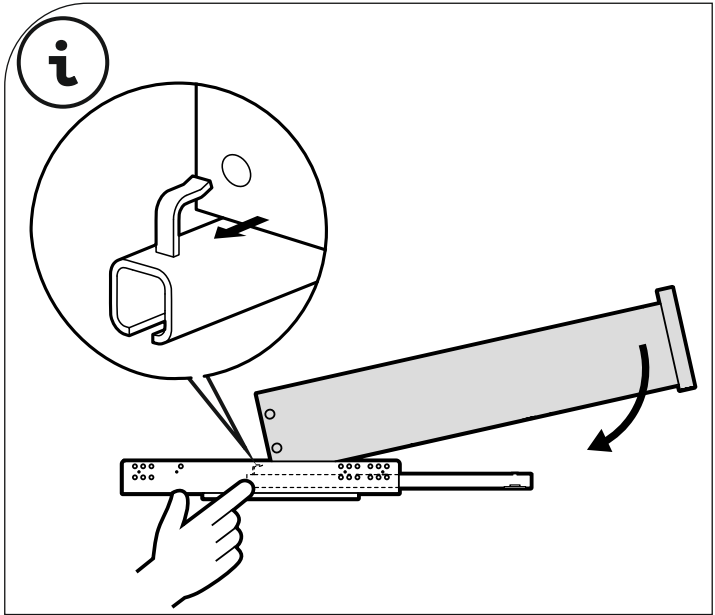
<p>4</p>	<p>1131155</p>  <p>x 3</p>
----------	---



32



33



!	<p>WARNING</p> <p>Serious or fatal crushing injuries can occur from furniture tip-over. To help prevent tip-over:</p> <ul style="list-style-type: none"> • Install tipover restraint provided. • Place heaviest items in the lower drawers. • Unless specifically designed to accommodate, do not set TVs or other heavy objects on top of this product. • Never allow children to climb or hang on drawers, doors or shelves. • Never open more than one drawer at a time. (OR) • Do not defeat or remove the drawer interlock system. <p>Use of tip-over restraints may only reduce, but not eliminate, the risk of tip-over.</p> <p><small>This is a copyrighted document. Do not share it online.</small></p>	!
---	--	---

