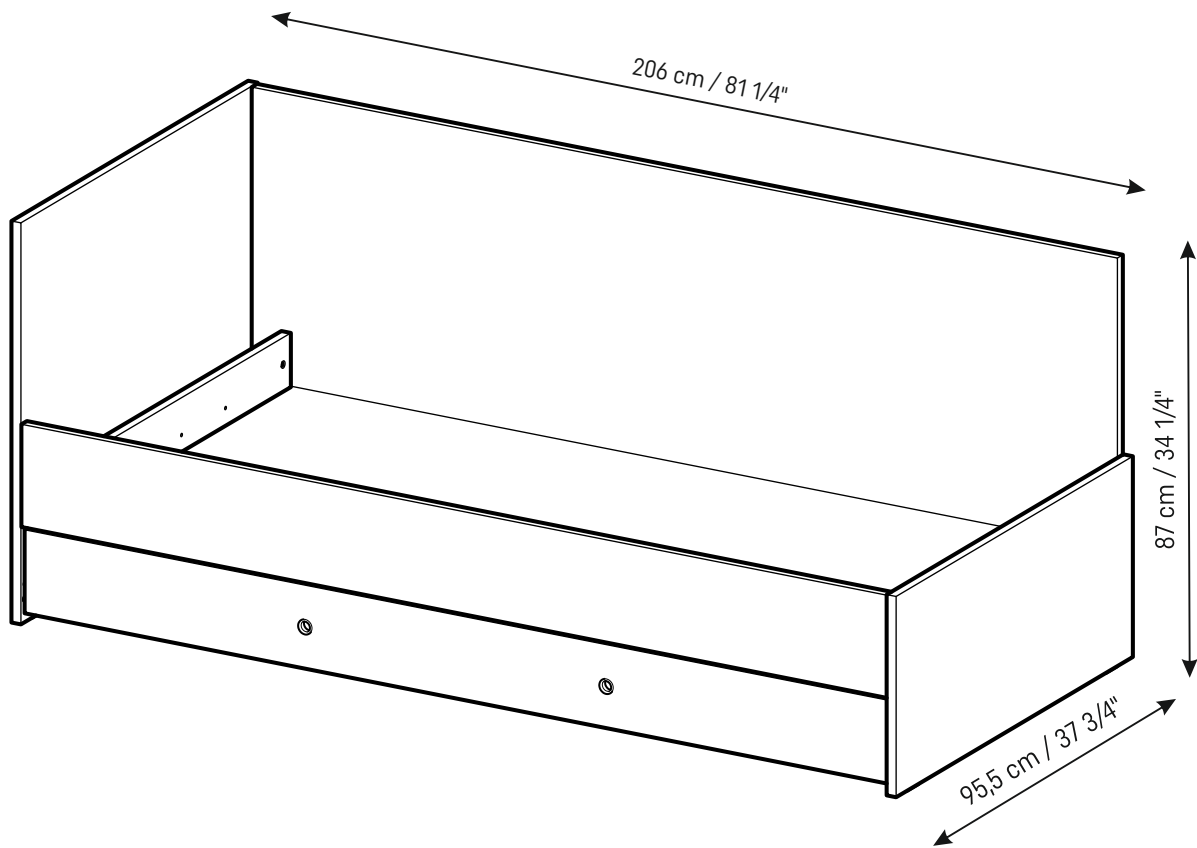
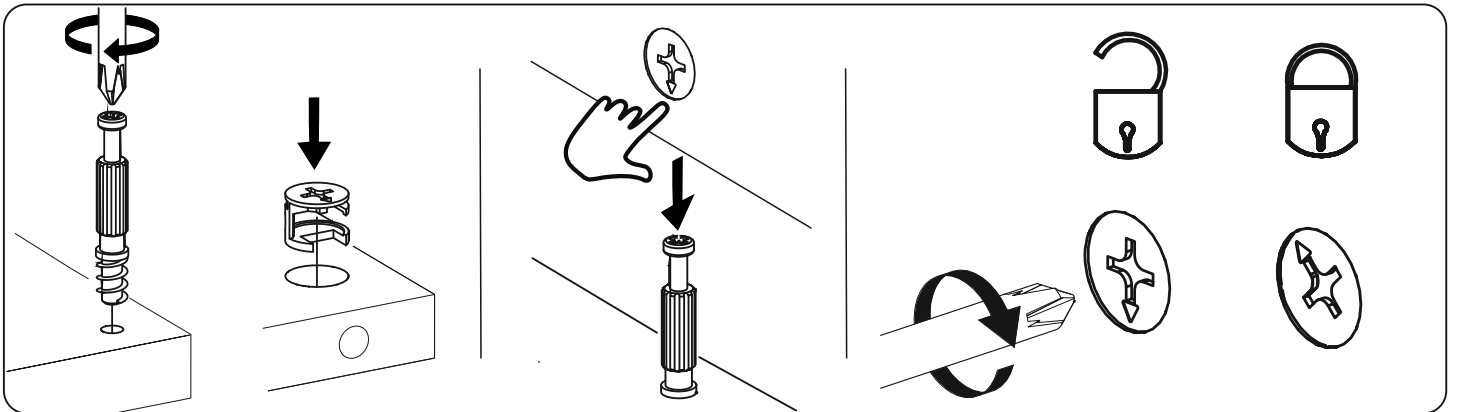
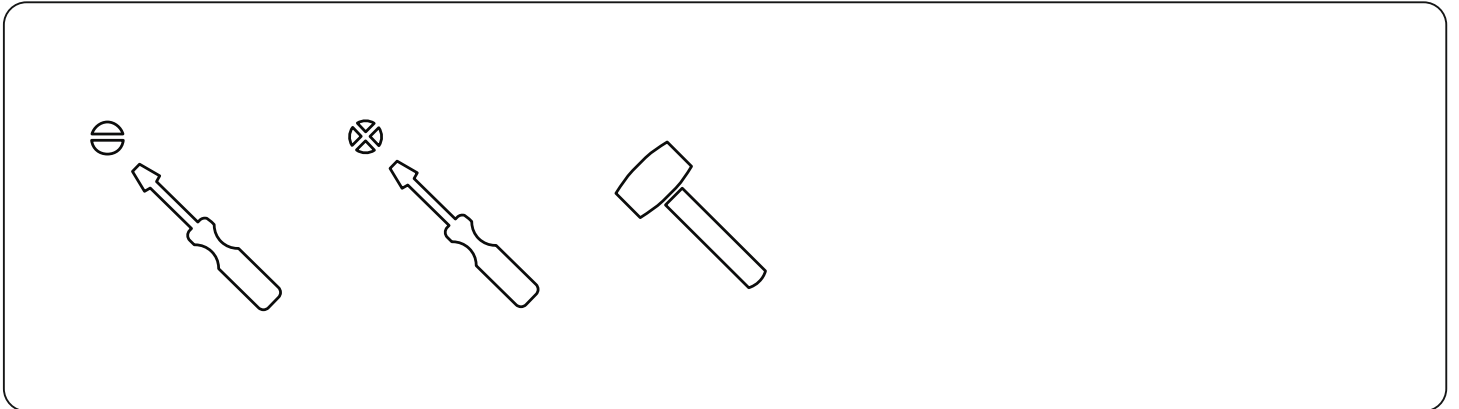
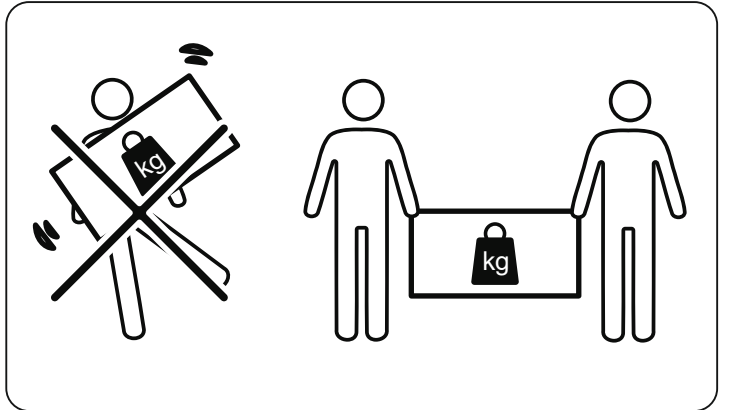
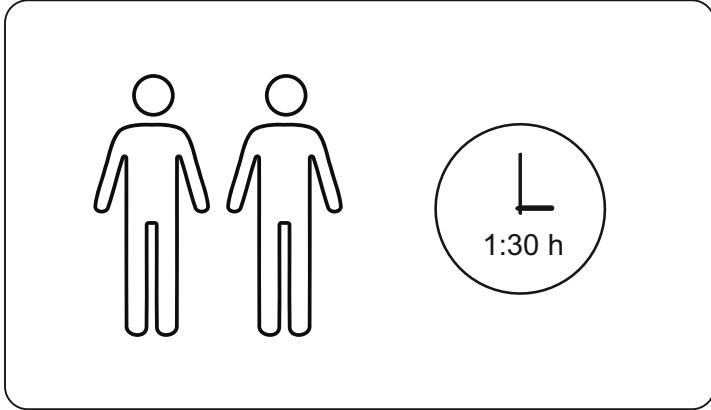
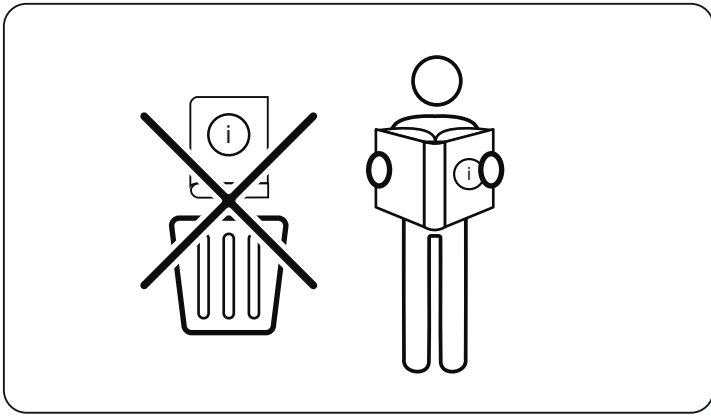


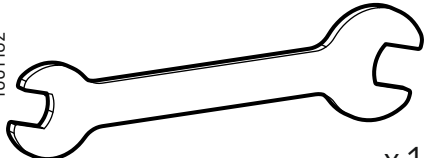
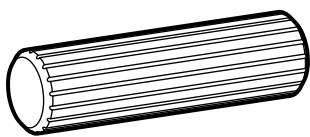

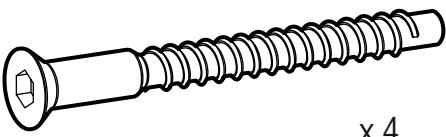
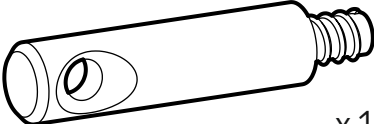

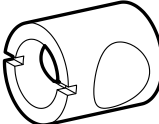
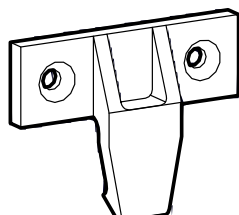
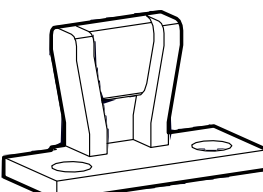
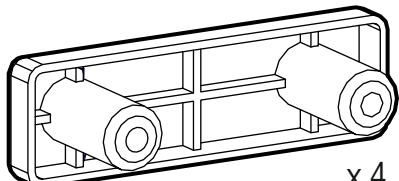

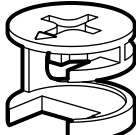
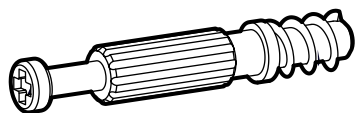
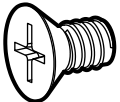

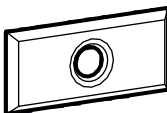

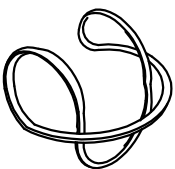
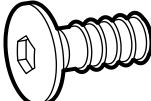
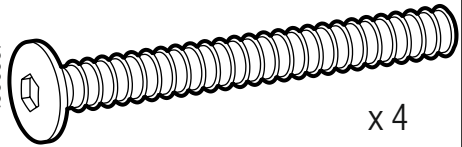
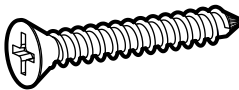
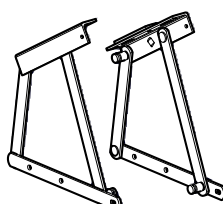





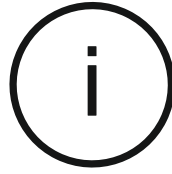
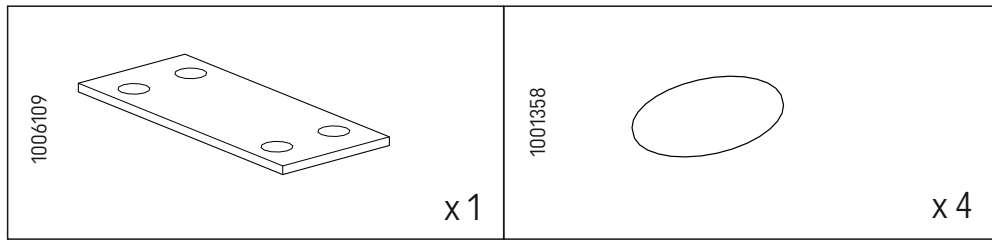
CONCEPT

4015977_001

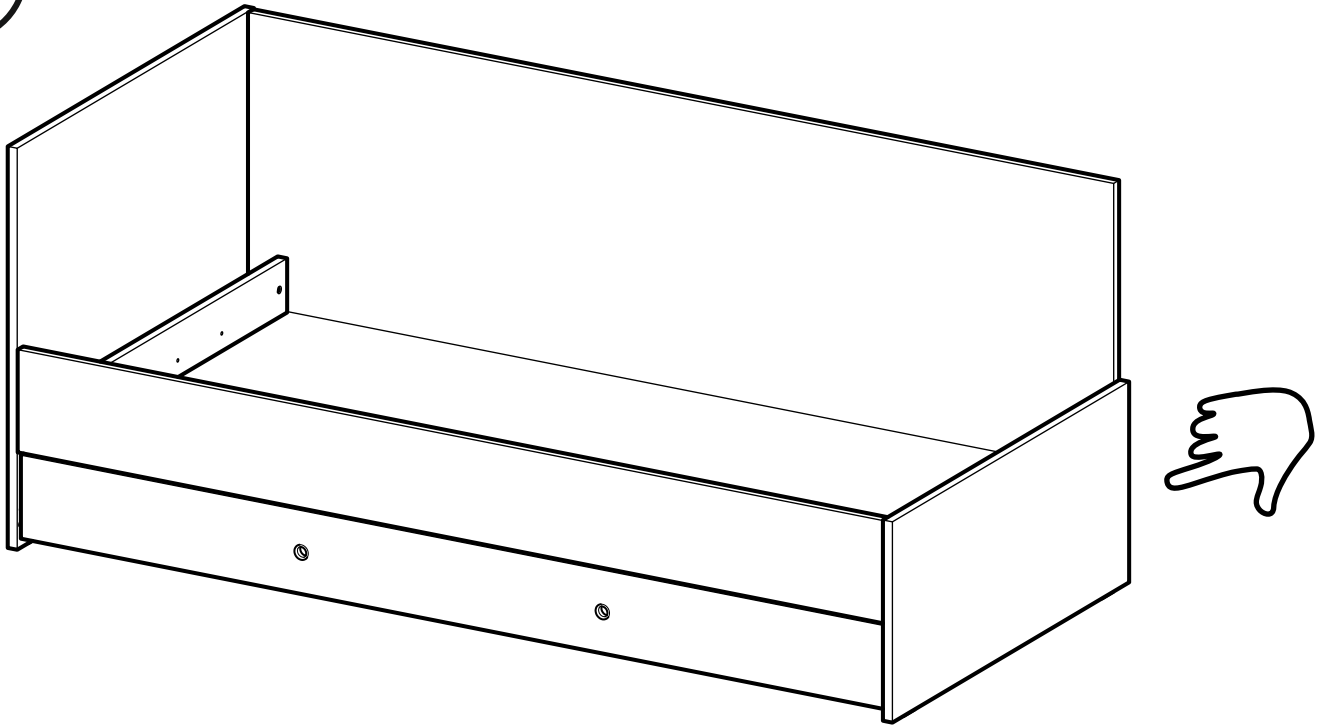




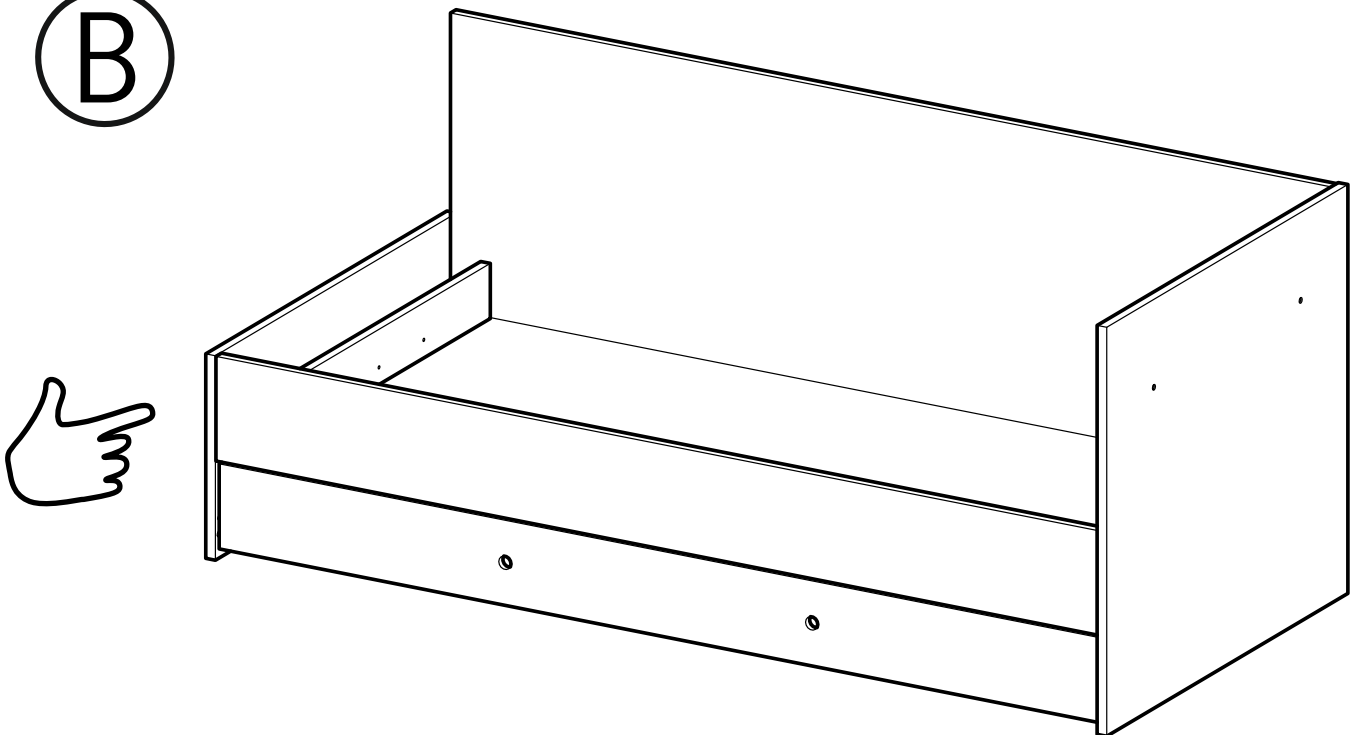
1000806  x 2	1111440  x 1	1001182  x 1
1005863  x 8	1005857  x 12	1005962  x 4
1107571  x 14	1109474  x 14	1109473  x 14
1005387  x 2	1005387  x 2	1000868  x 4
1005681  x 8	1005990  x 2	1006091  x 2
1006052  x 6	1005368  x 16	1000242  x 16
1008908  x 4	1000192  x 1	1006055  x 4
1005687  x 4	1006024  x 10	1000249  x 1
1000807  x 2	1005680  x 8	1006060  x 8

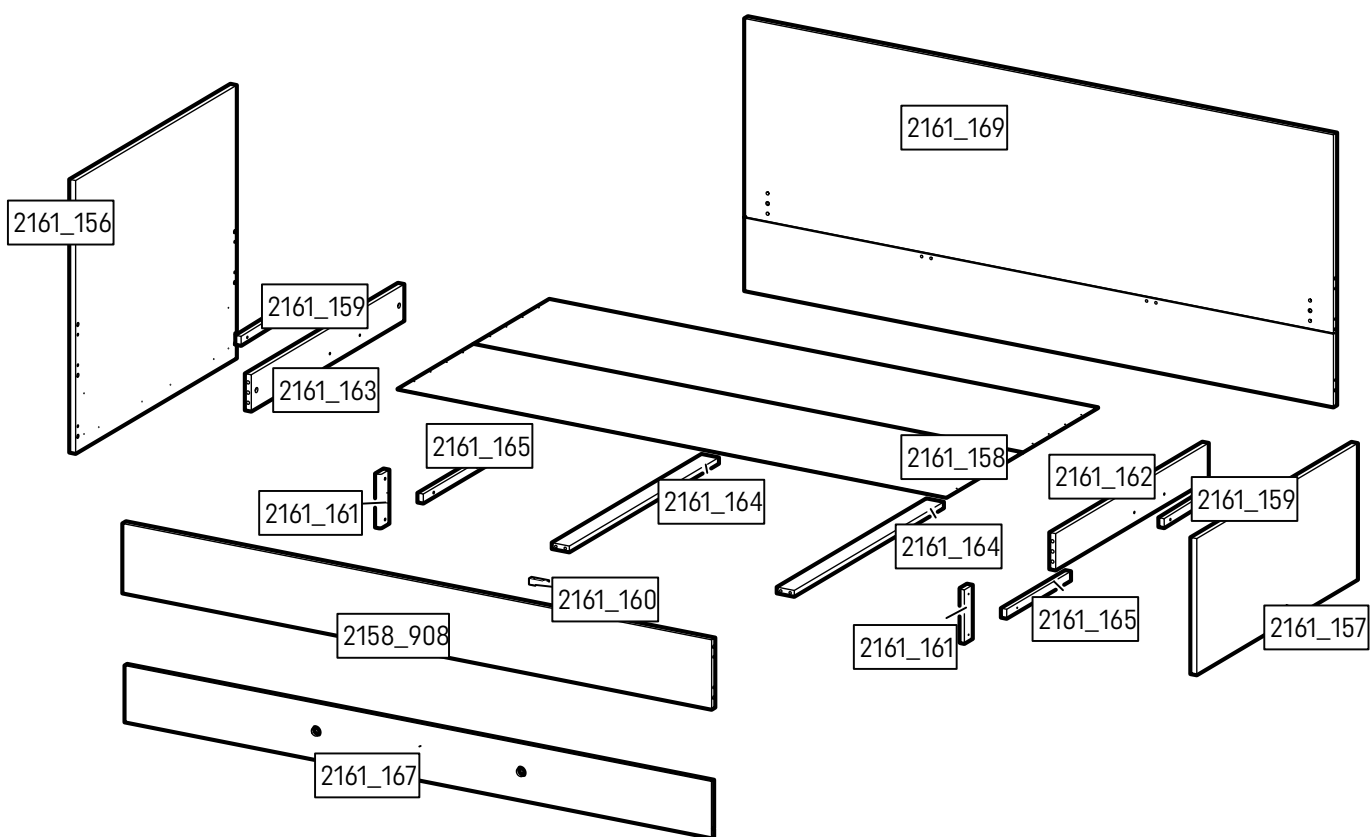
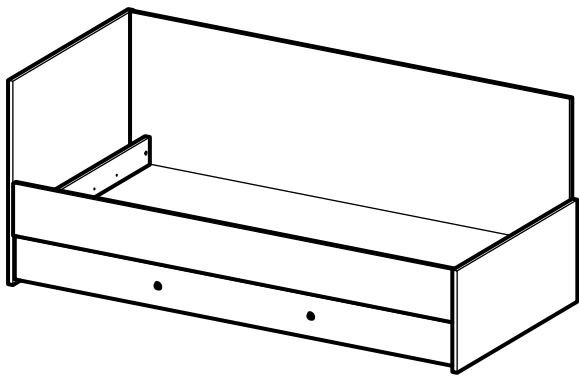


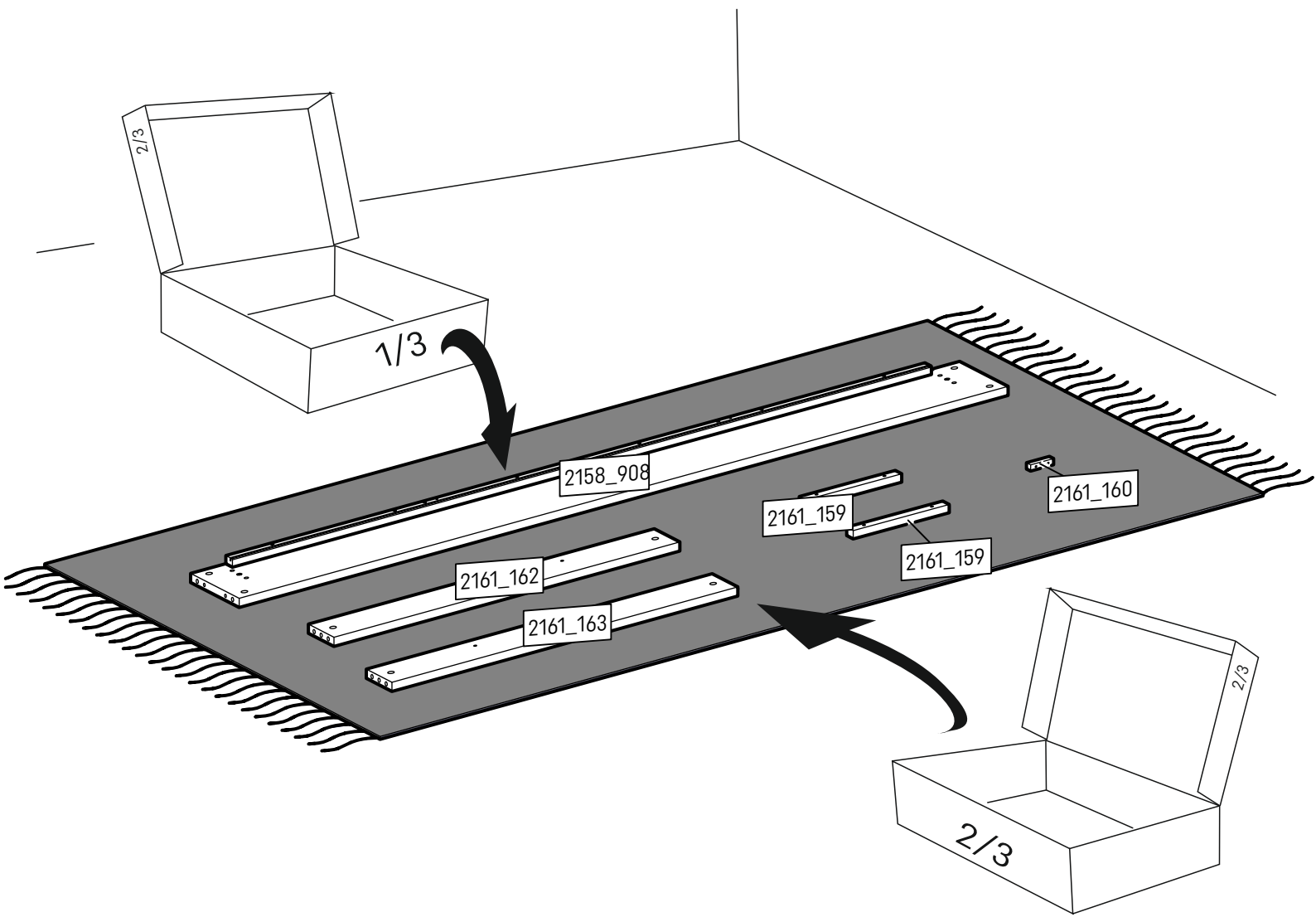
A



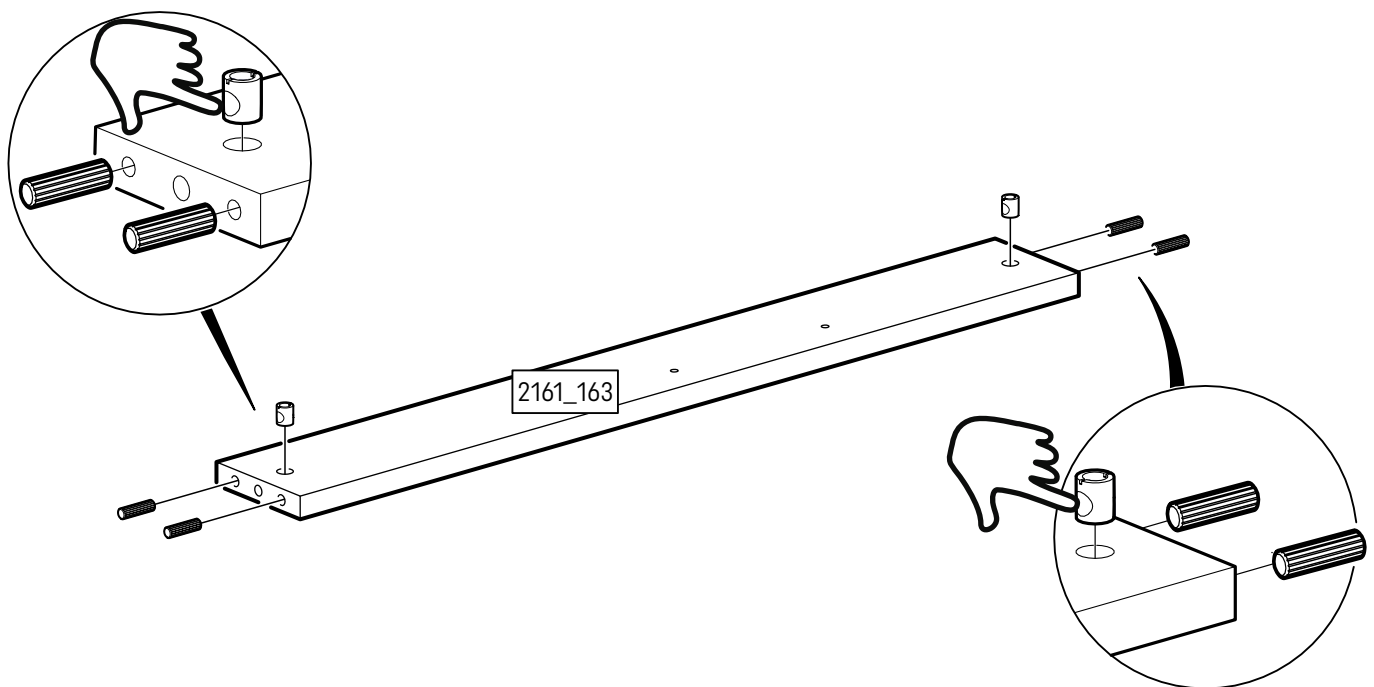
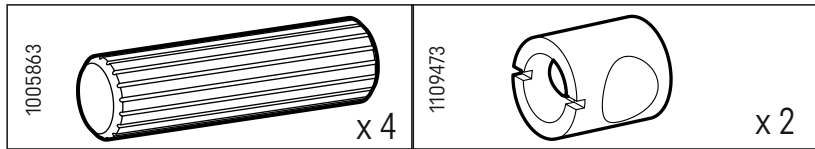
B





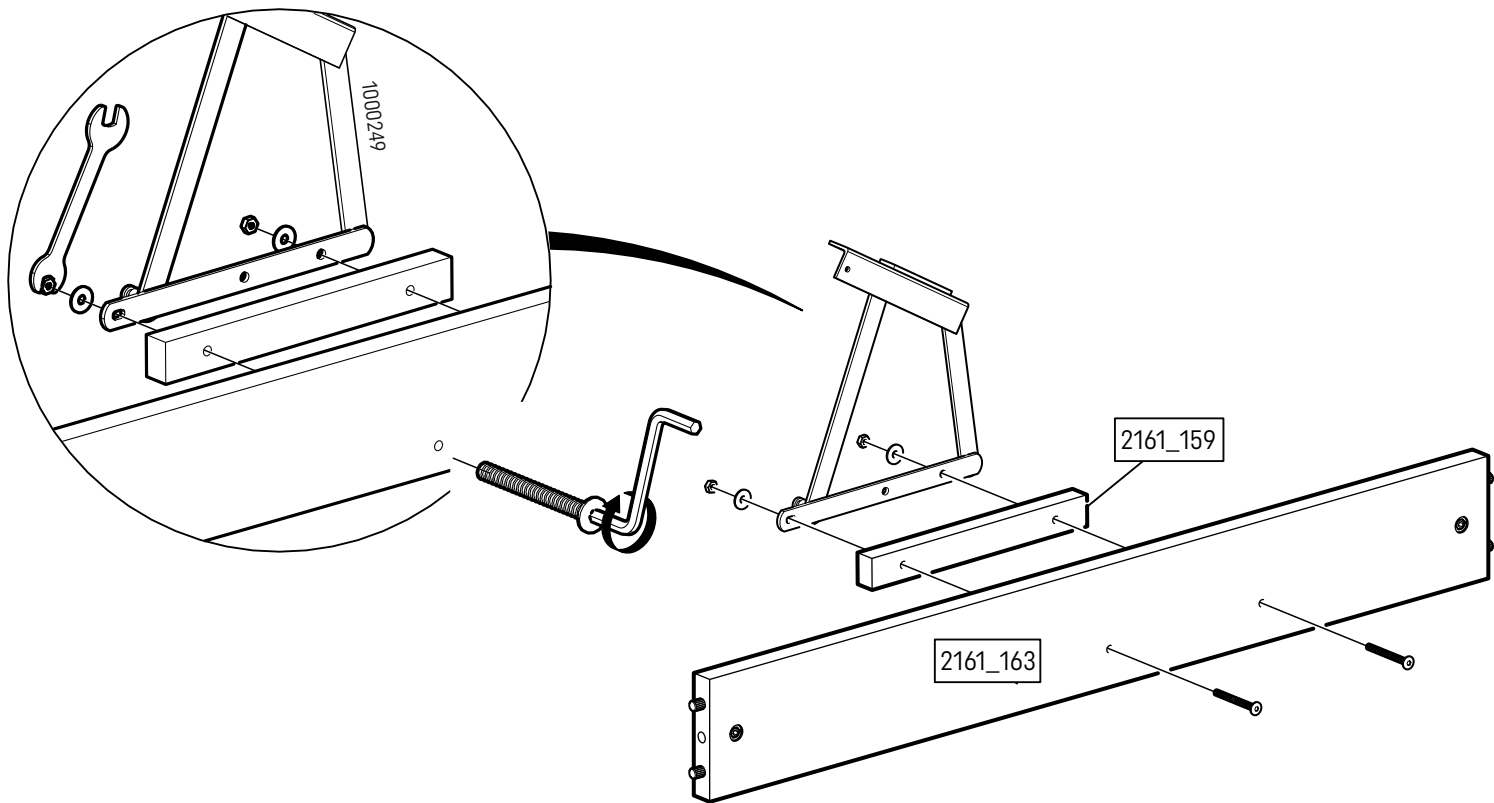
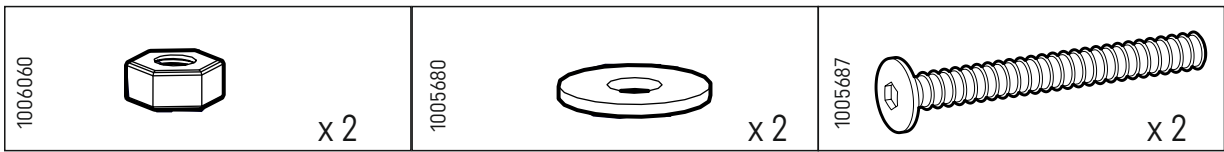


1

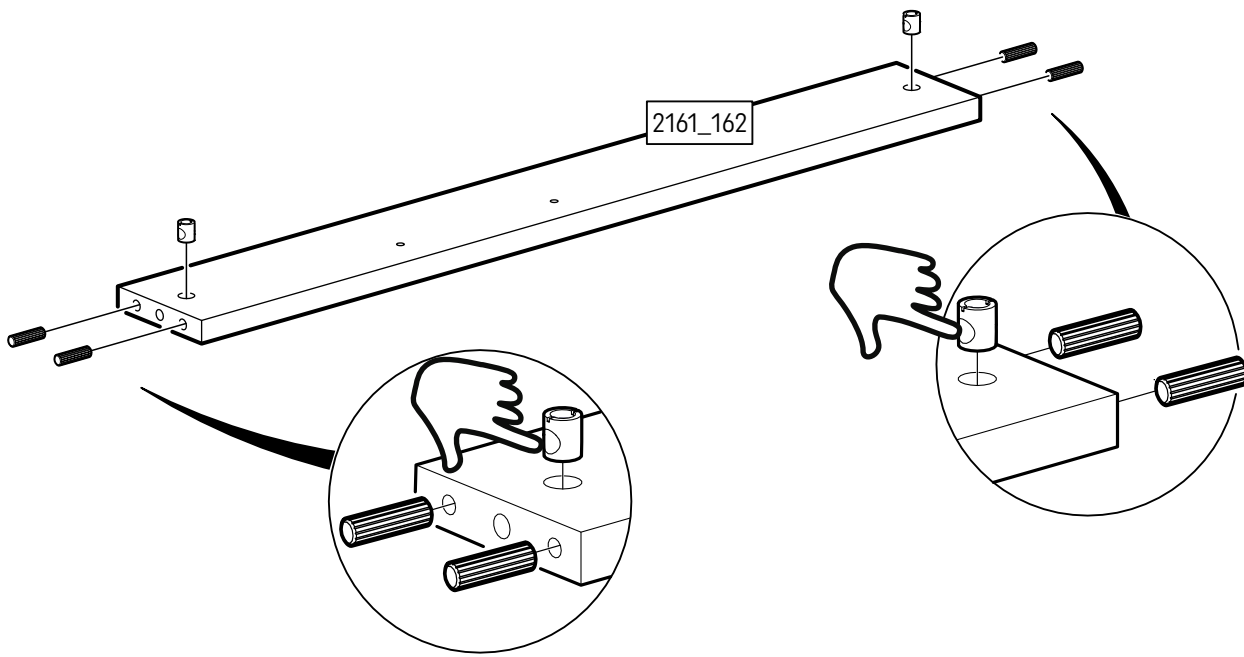
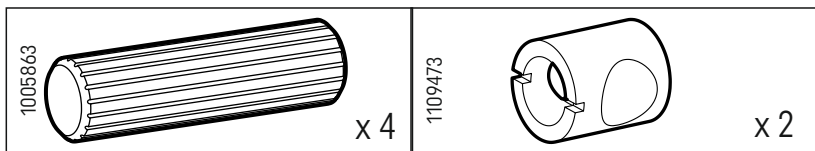


1

2

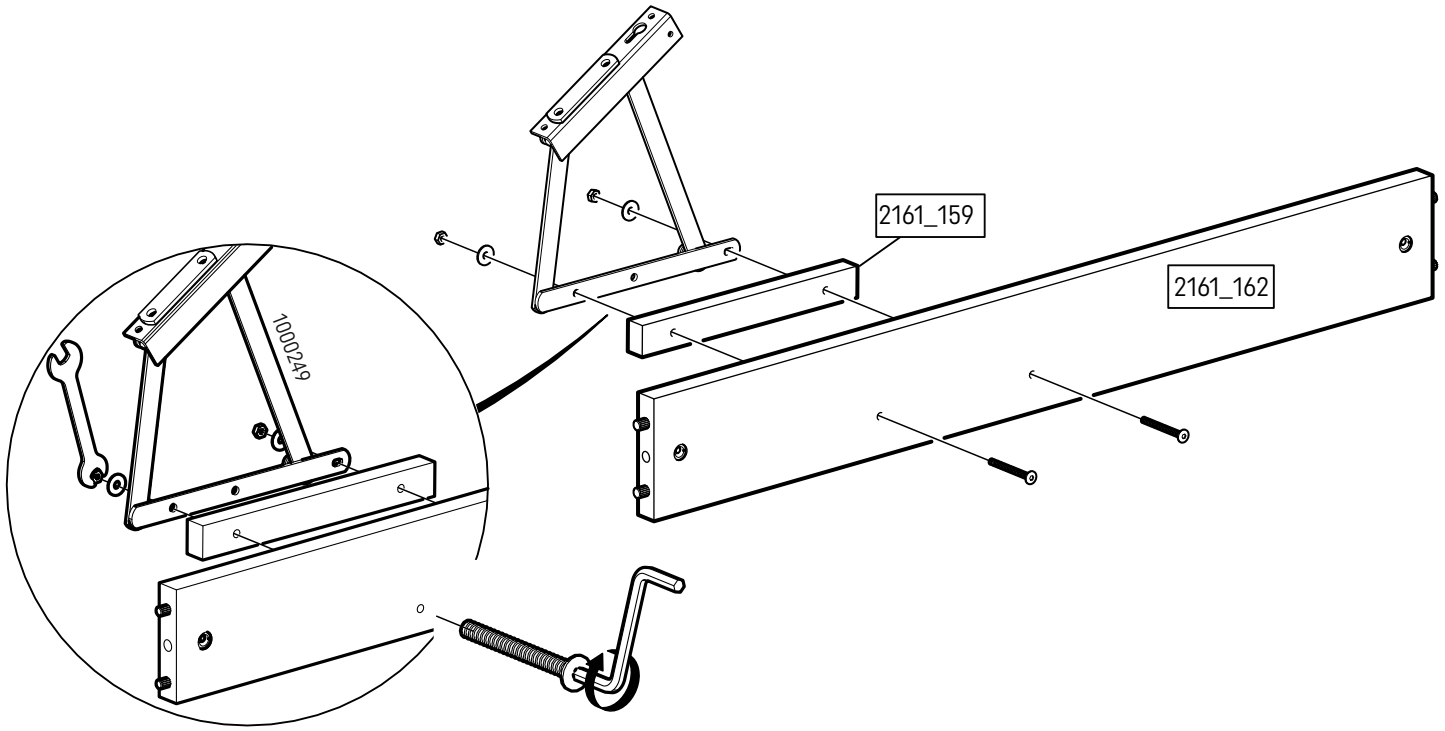
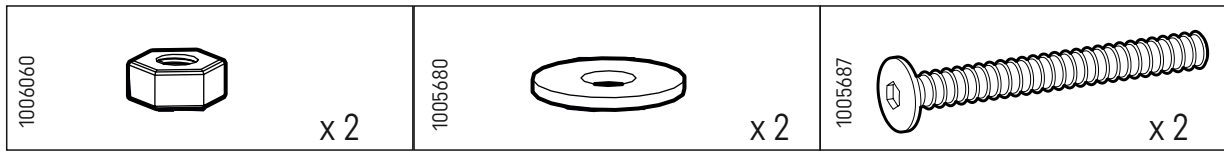


3

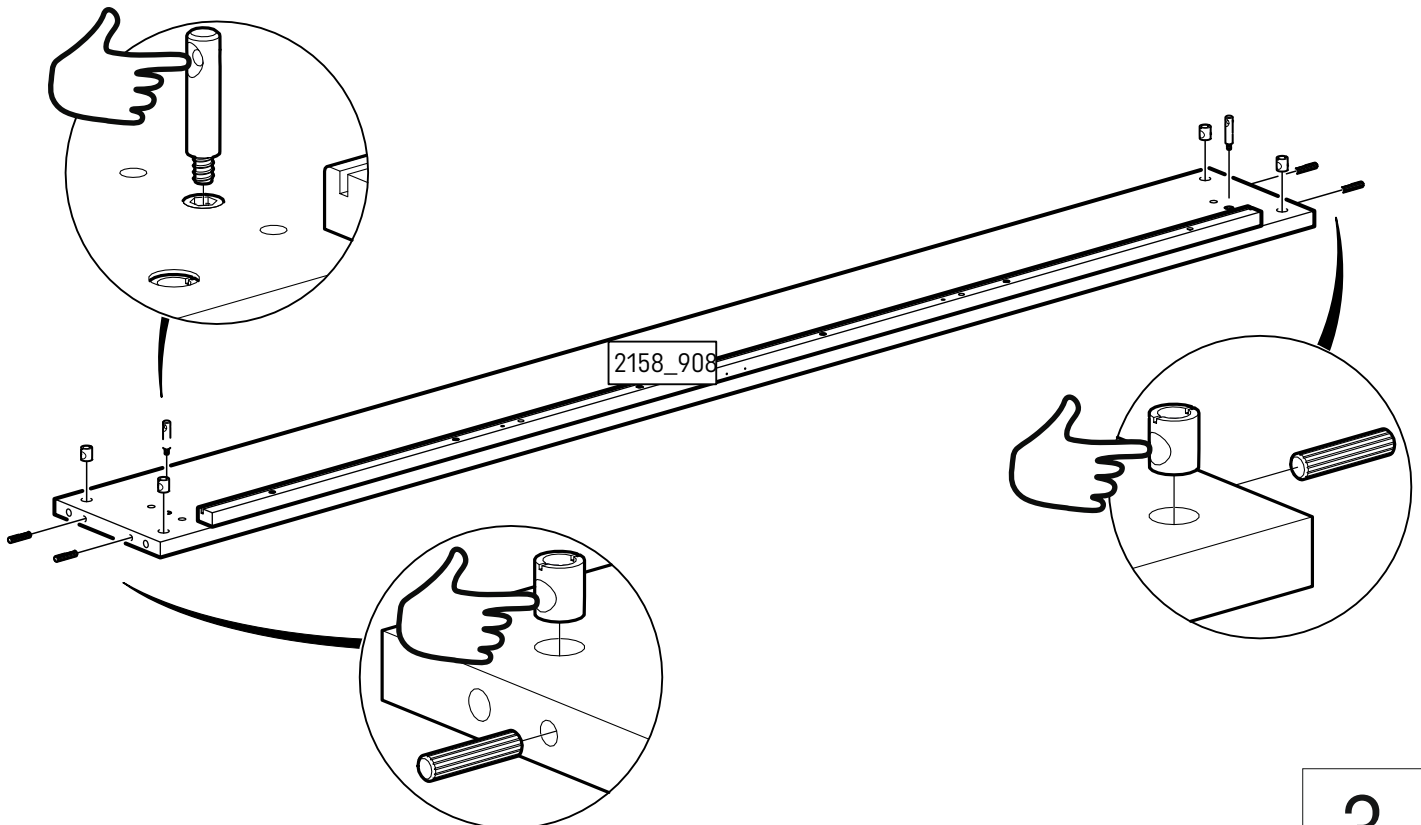
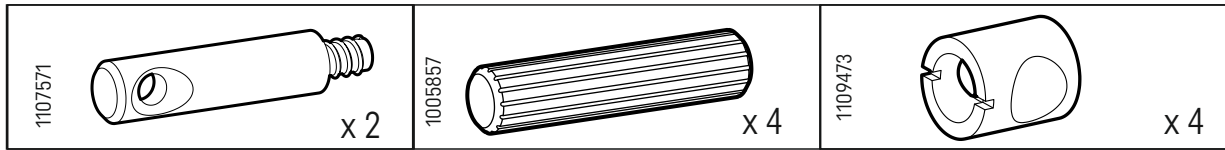


2

4

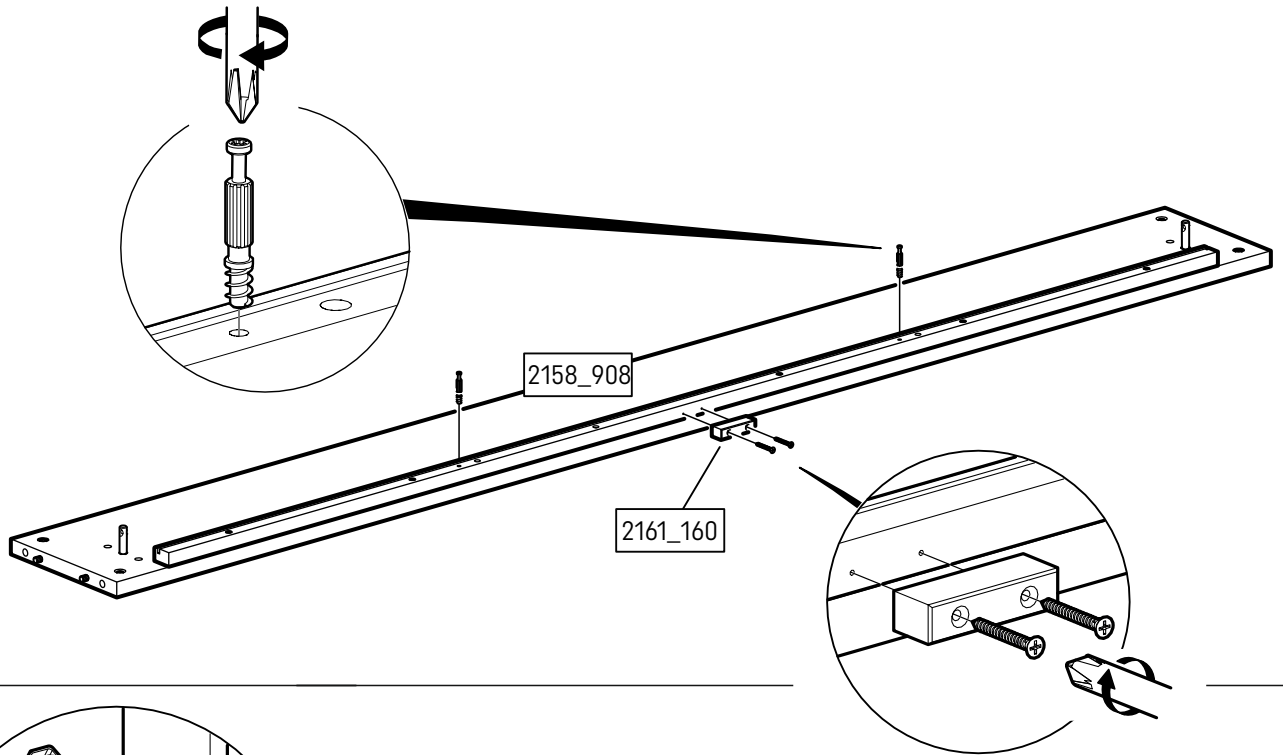
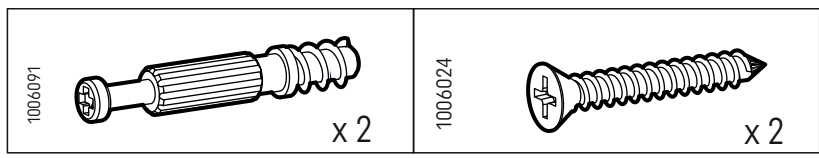


5

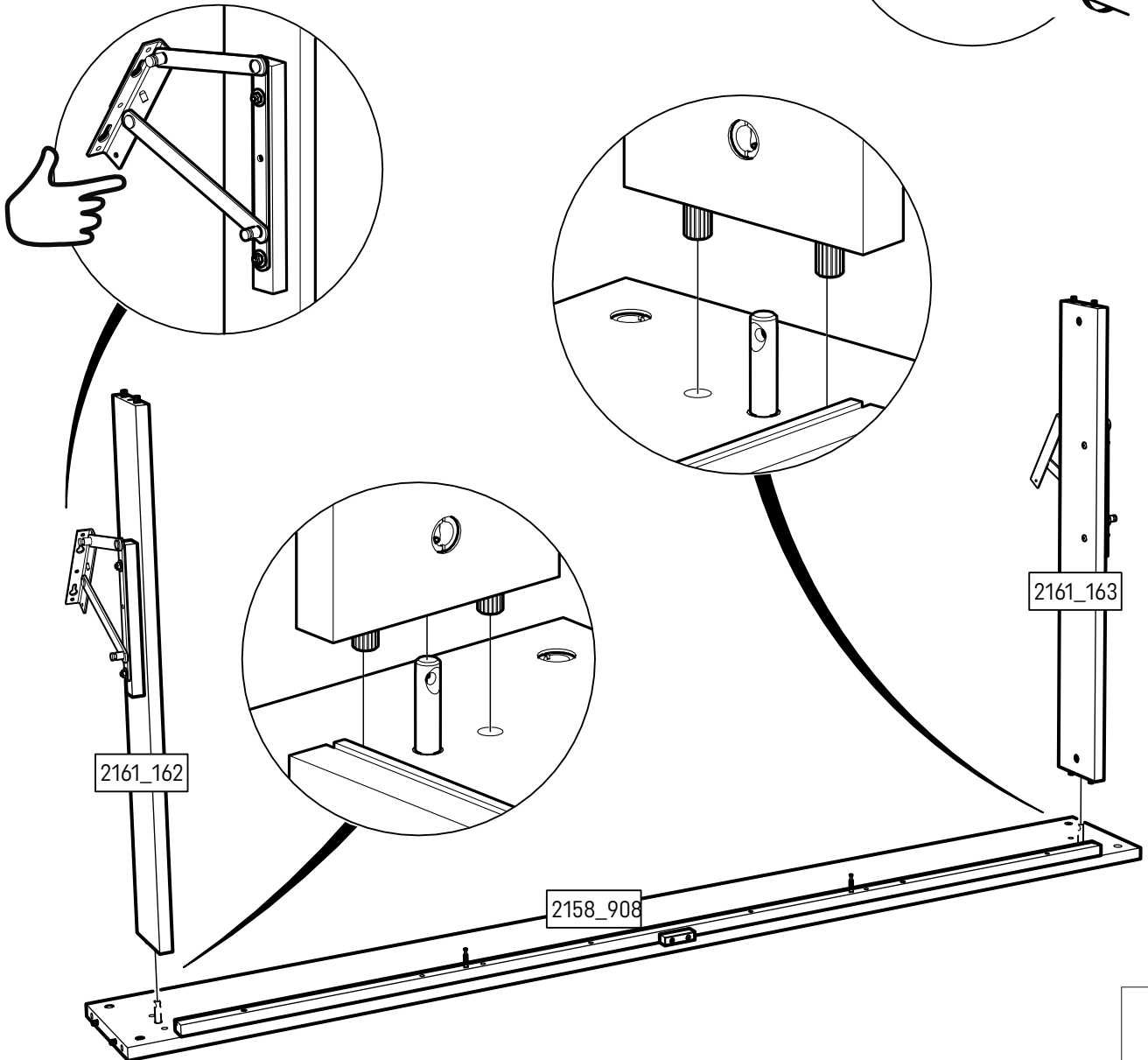


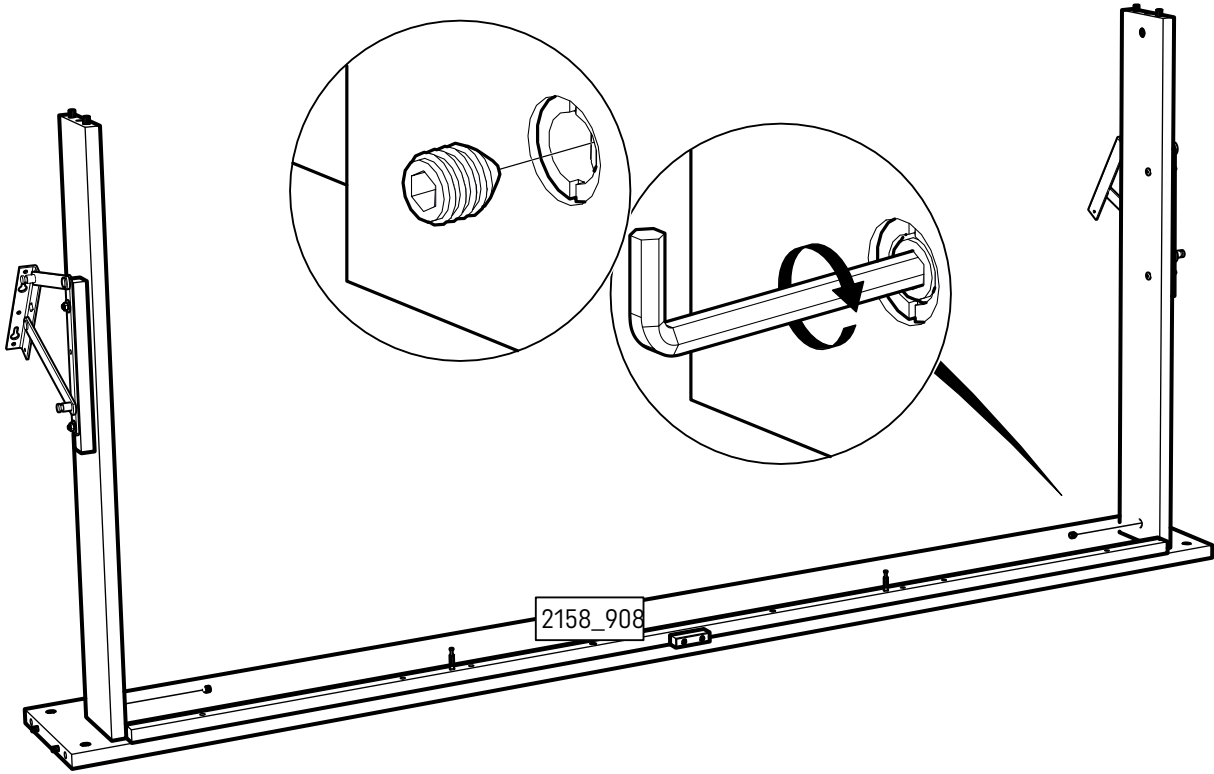
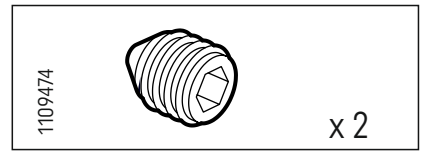
3

6

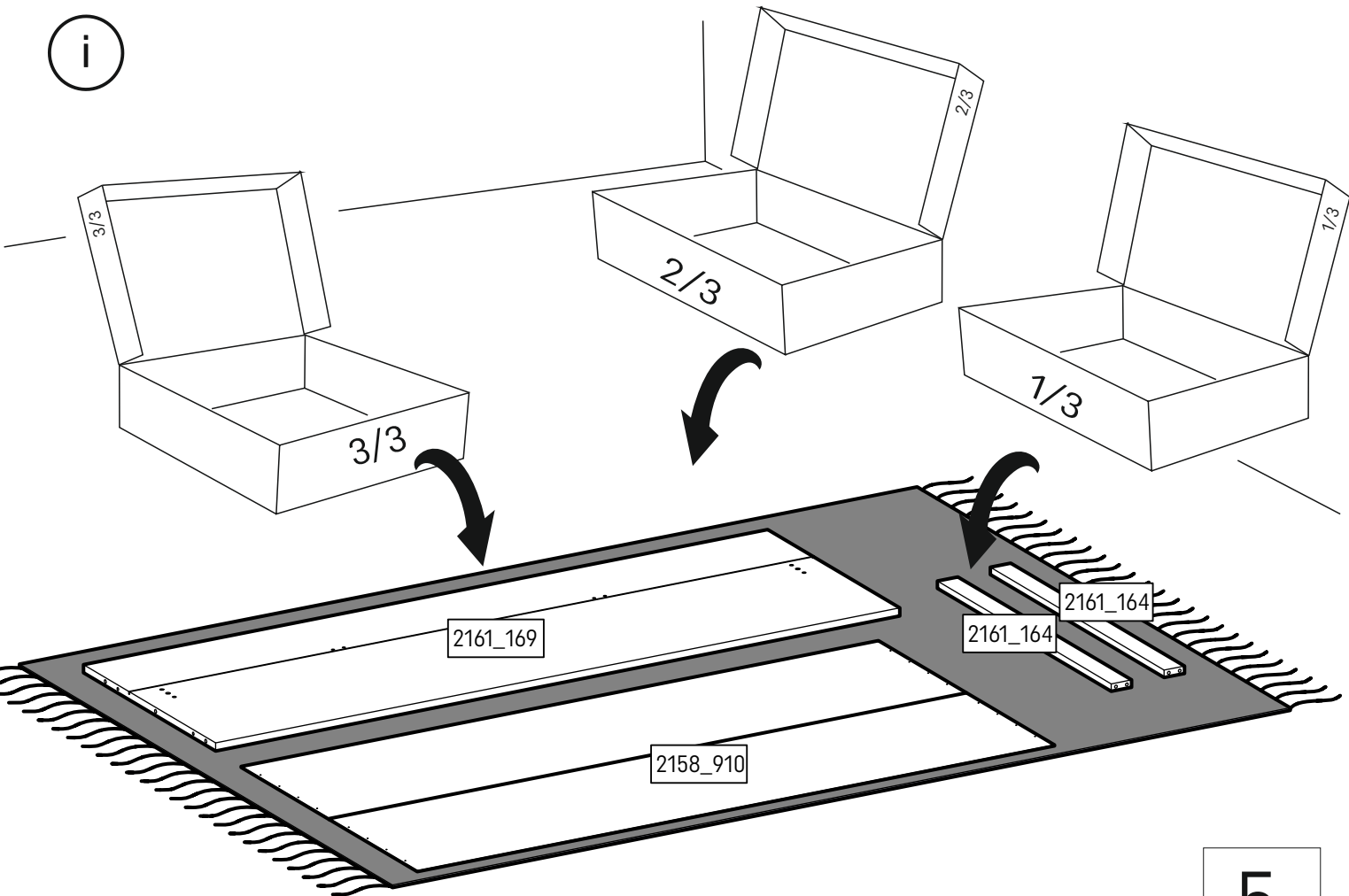


7

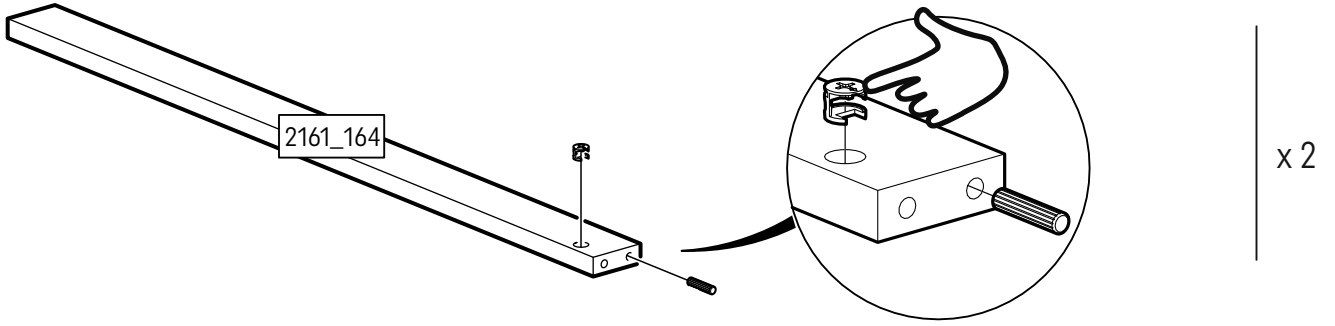
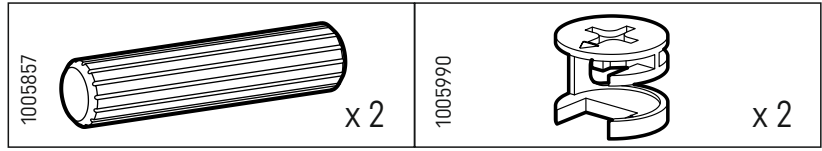




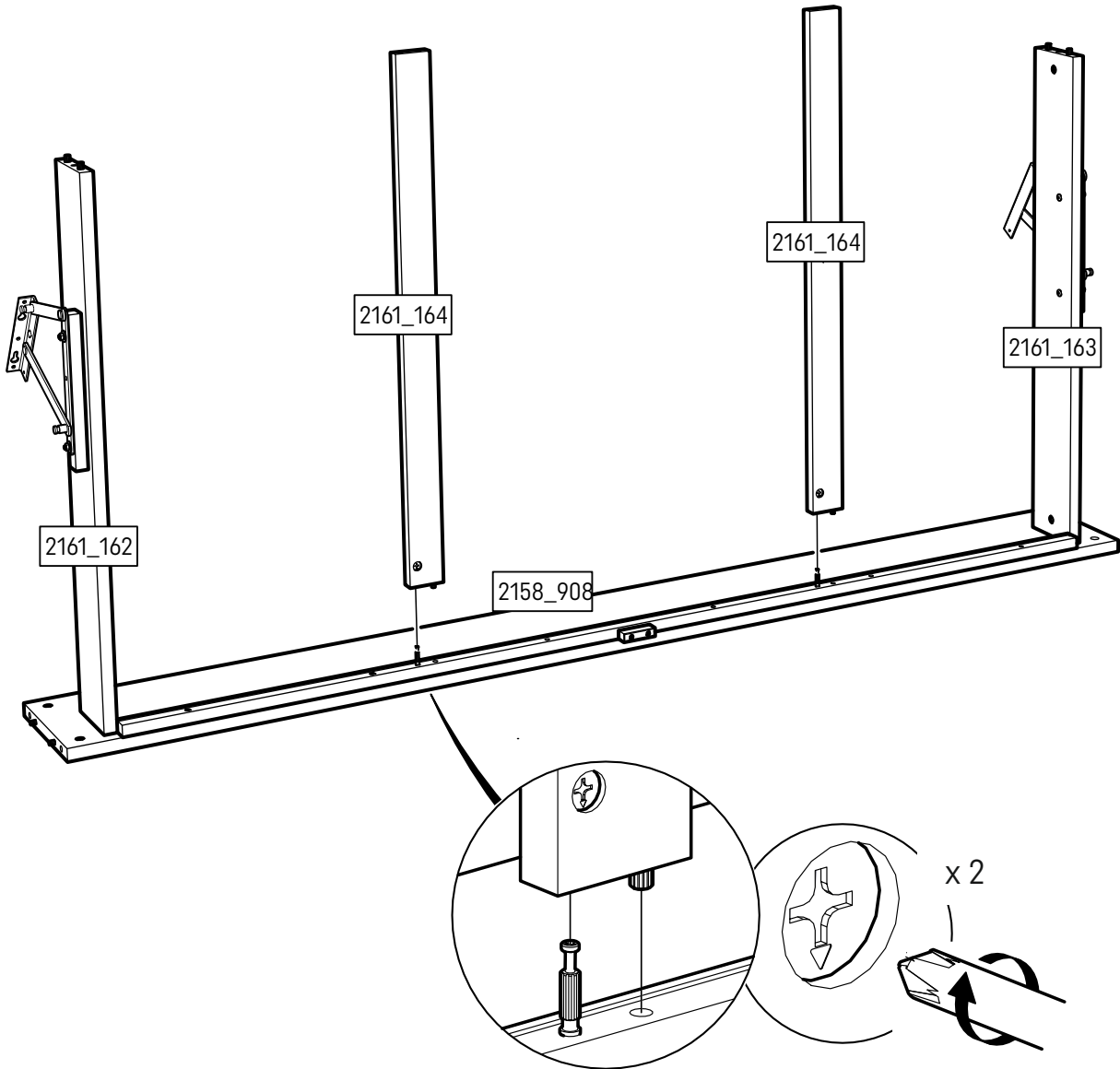
i



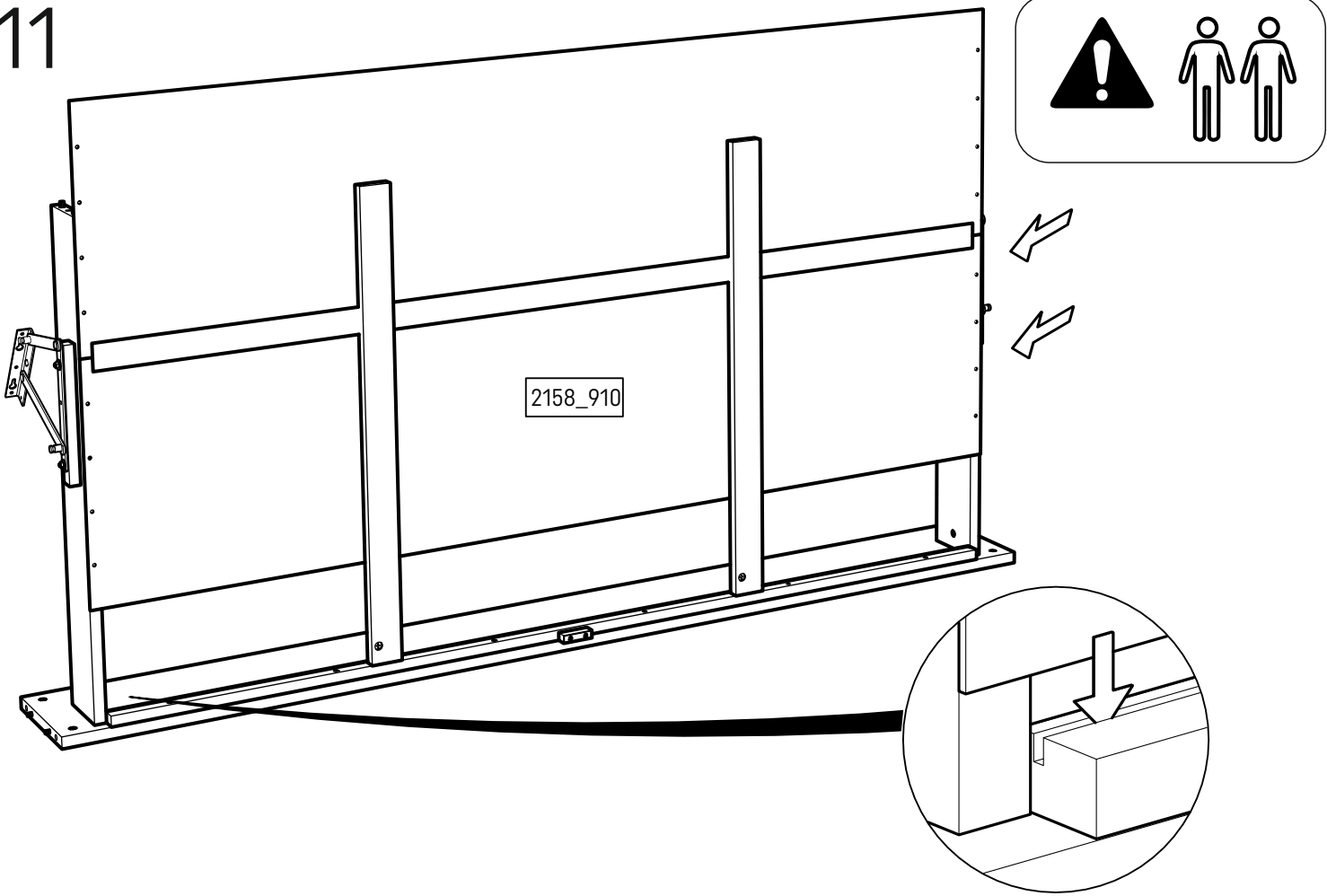
9



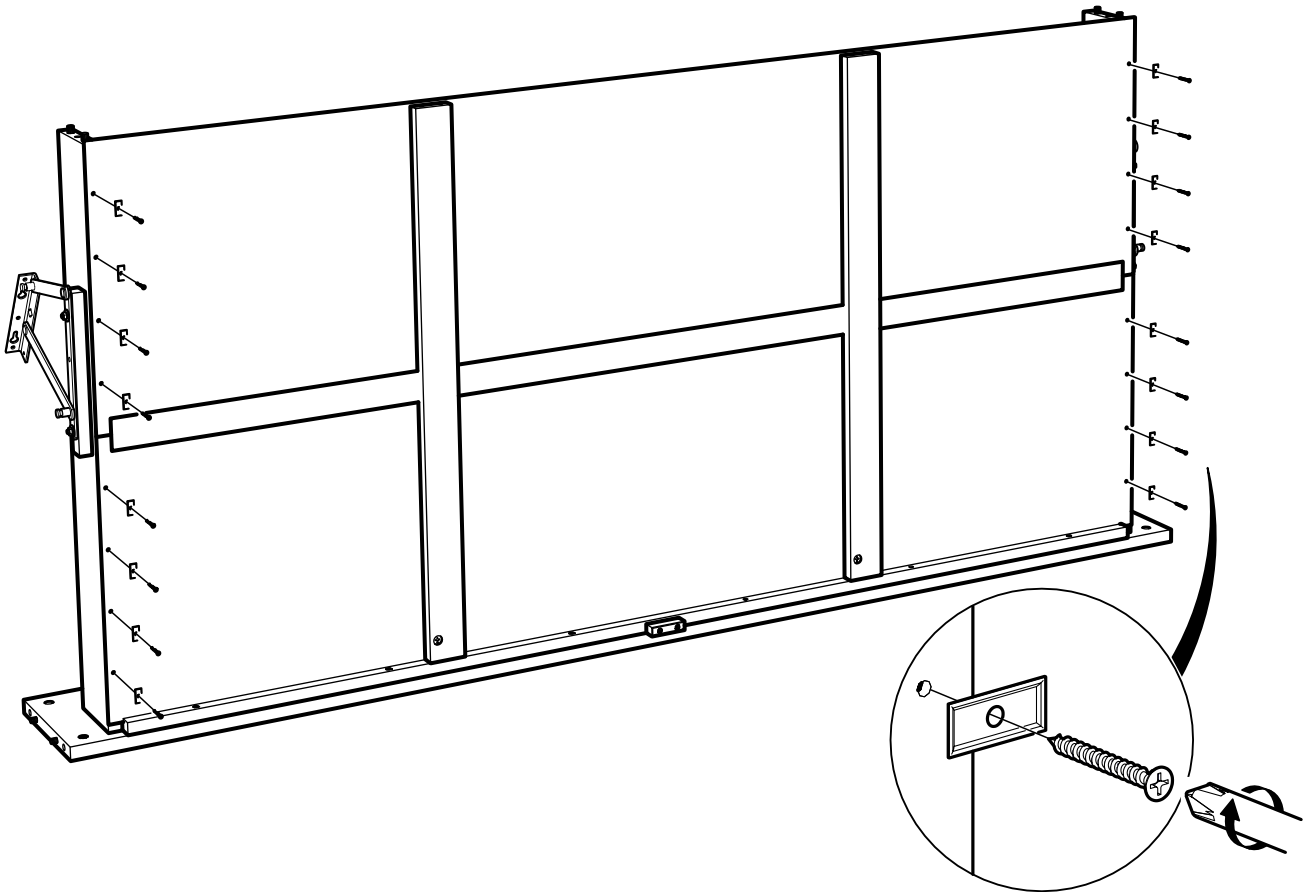
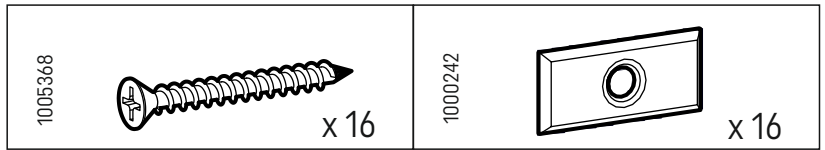
10



11

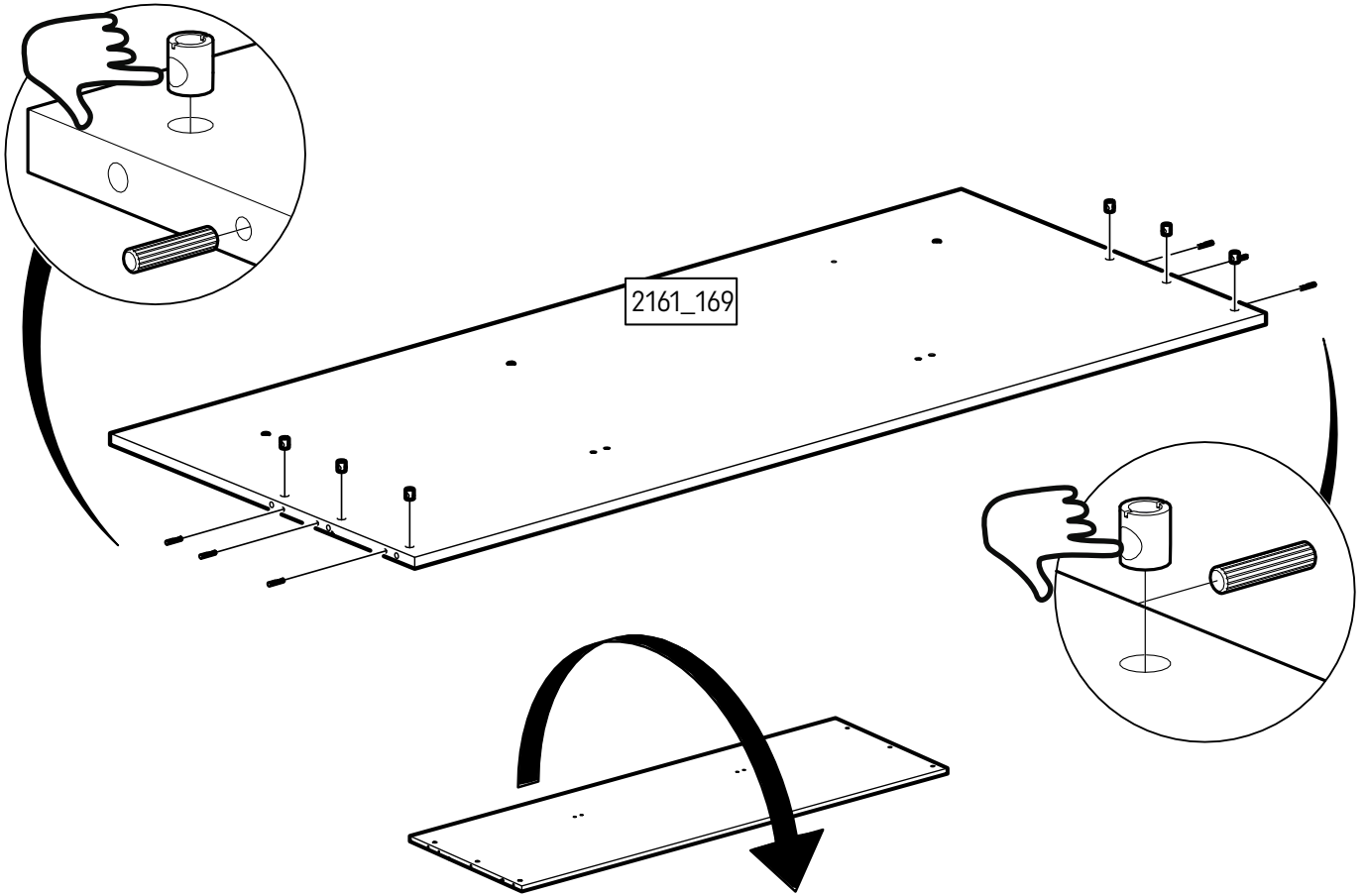
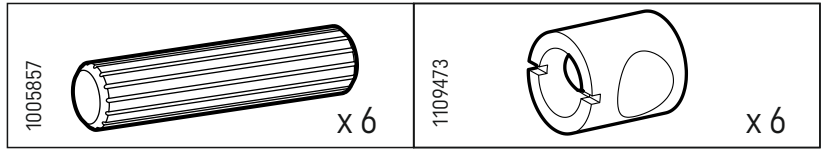


12

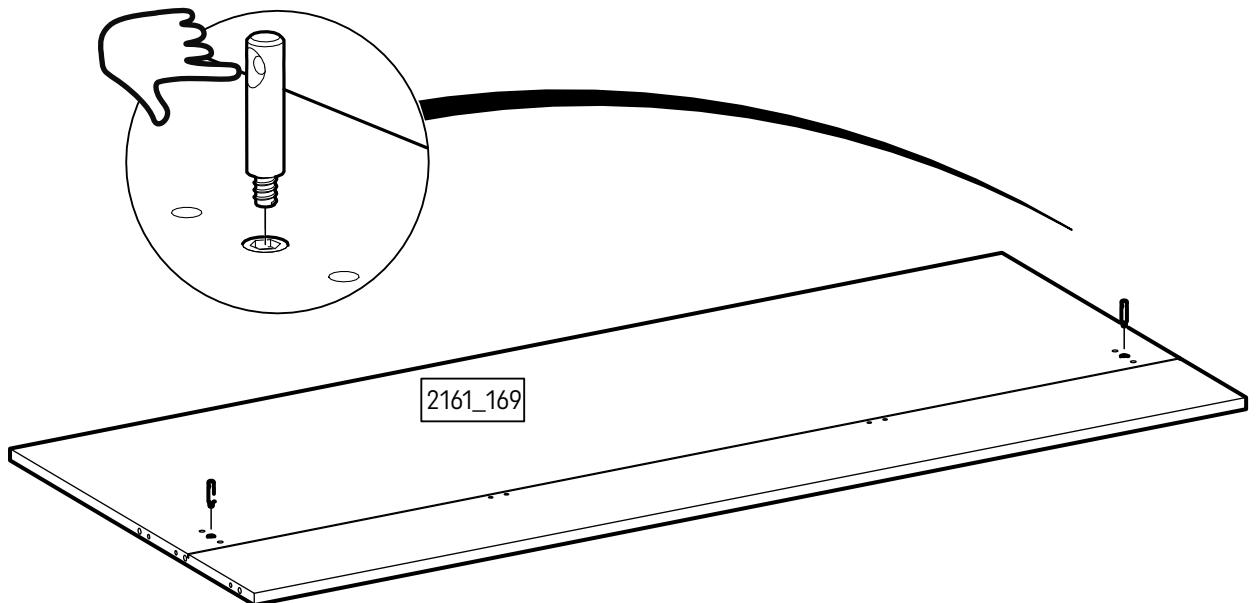
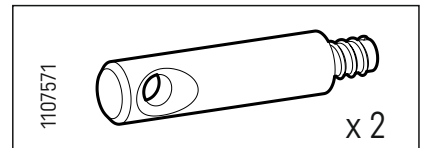


7

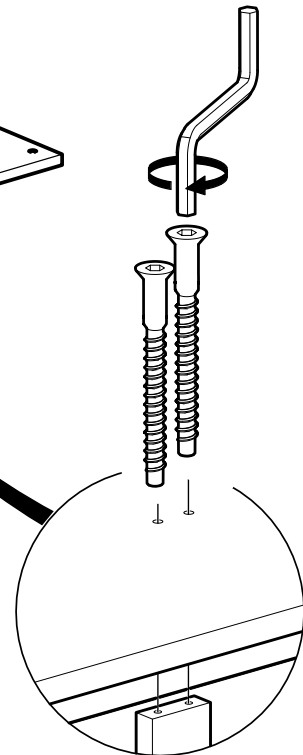
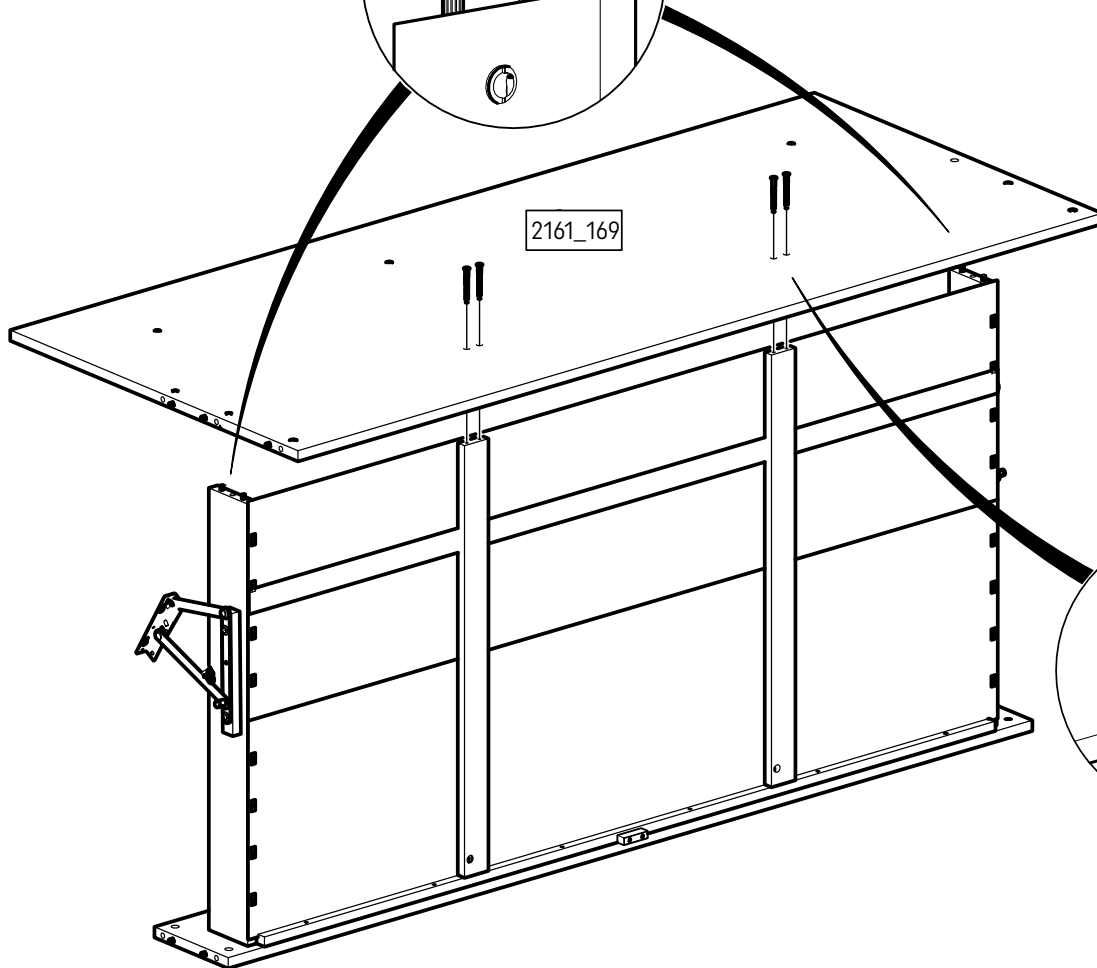
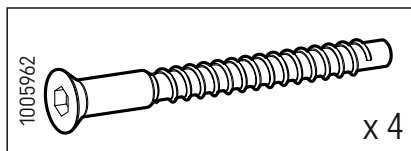
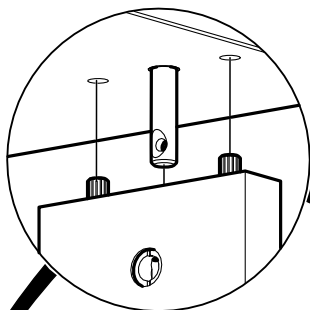
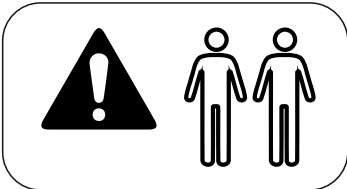
13



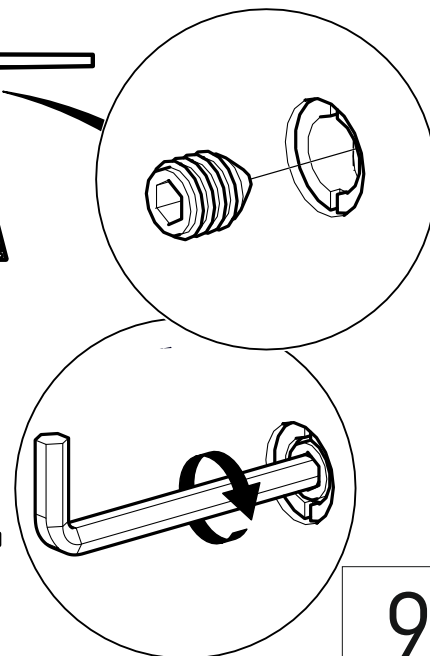
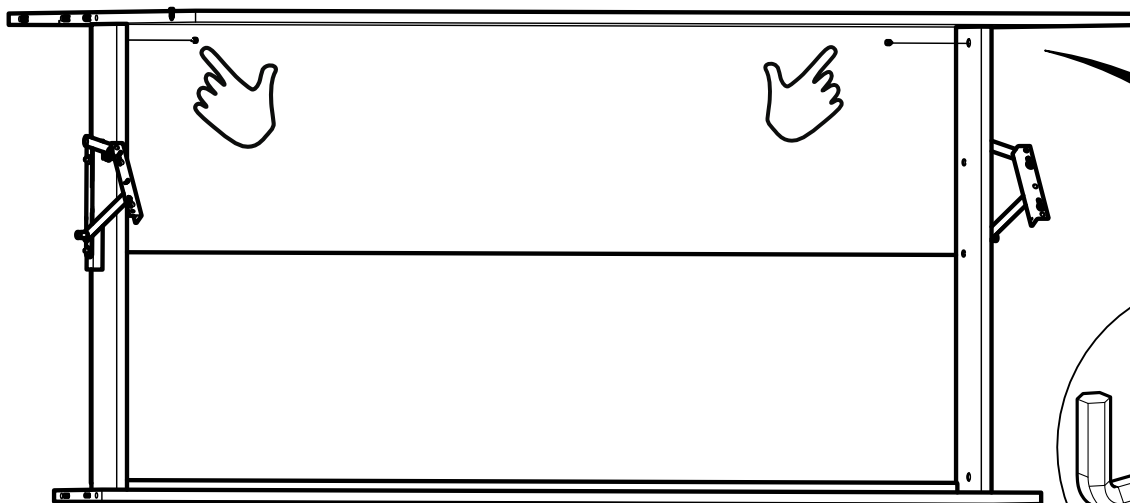
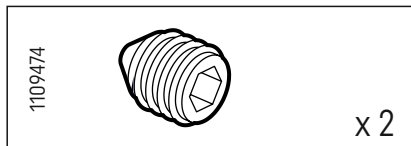
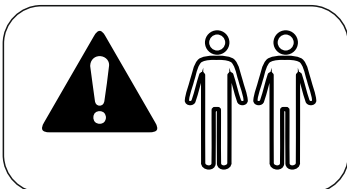
14



15

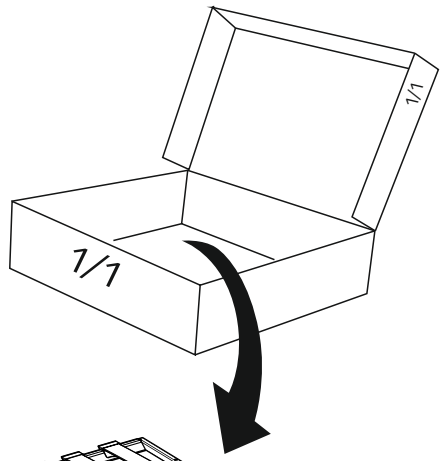
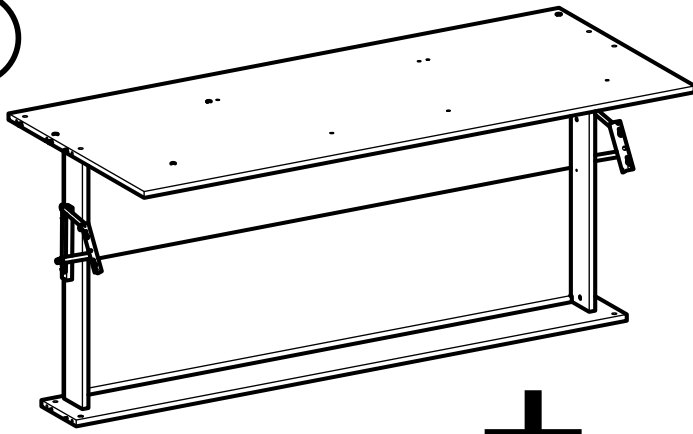


16

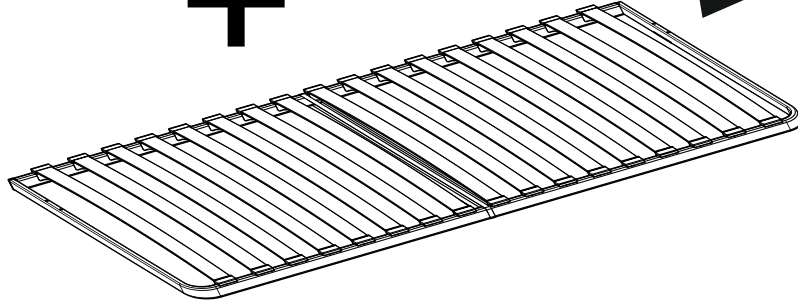


9

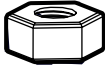

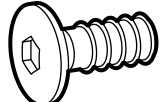
i

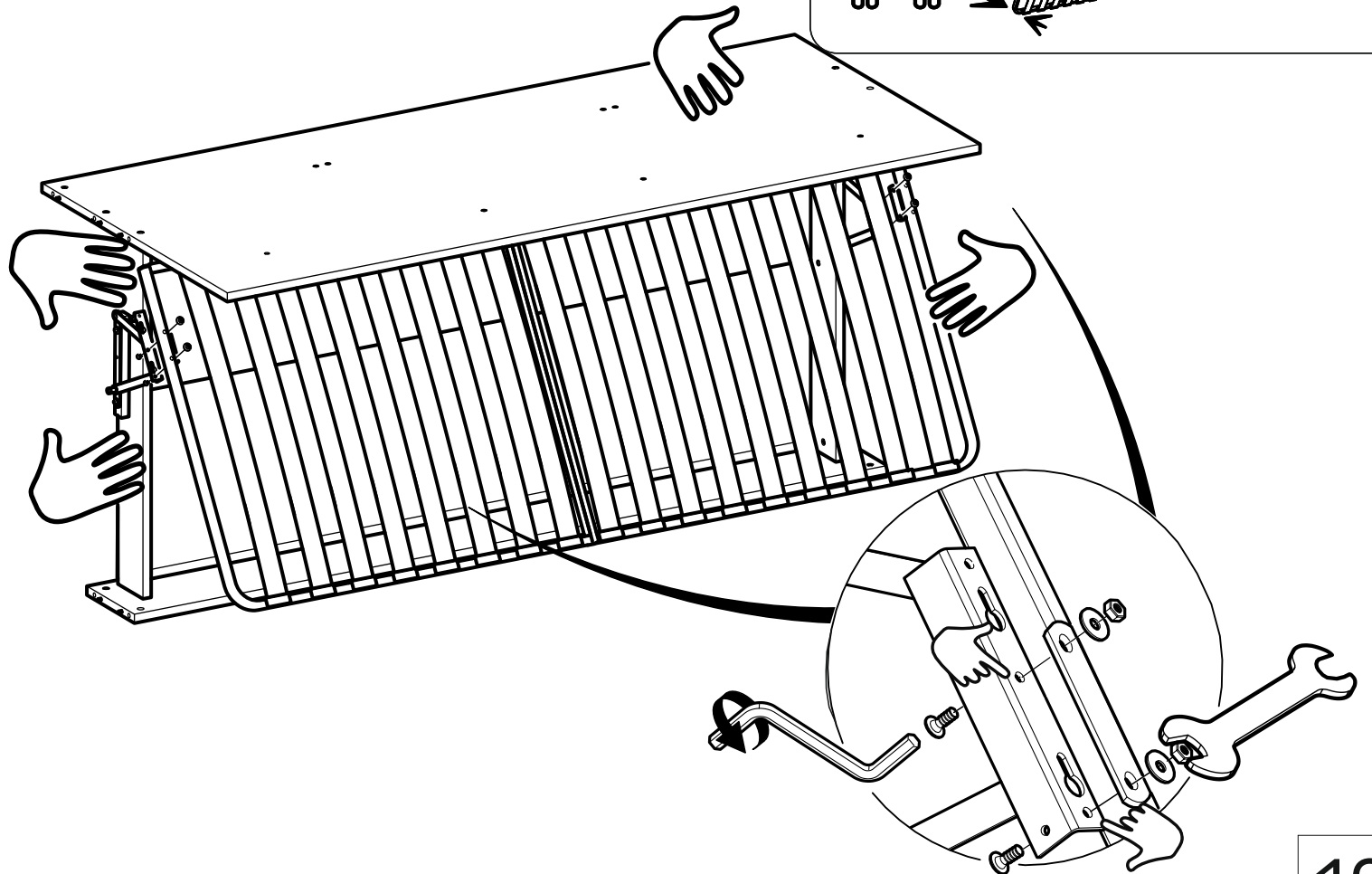
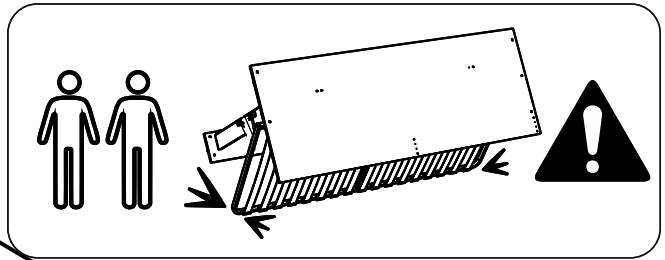


+

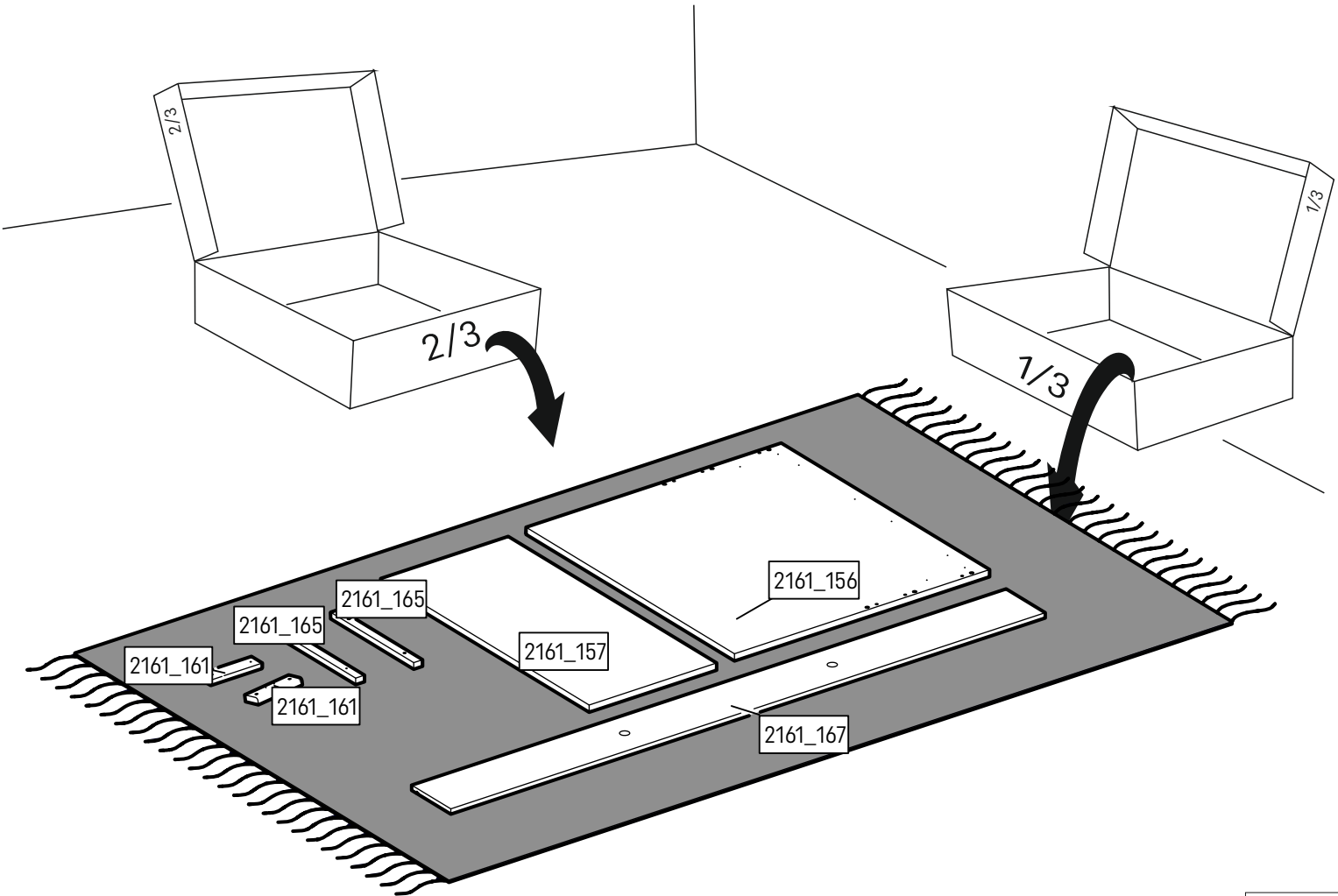
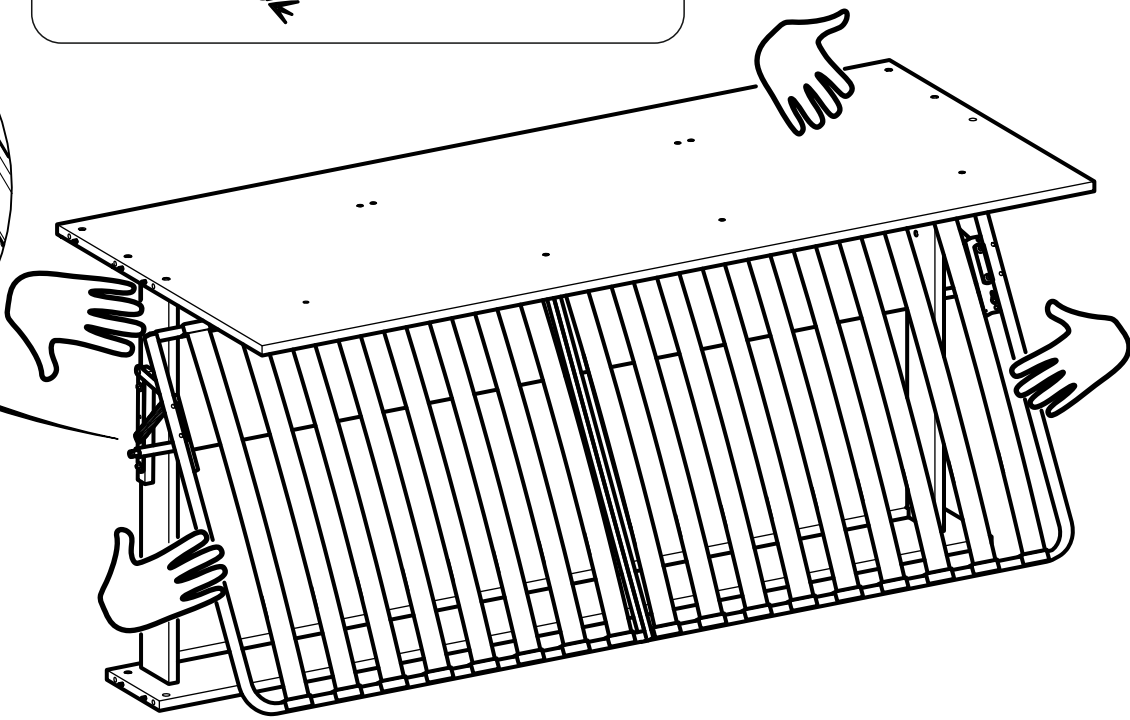
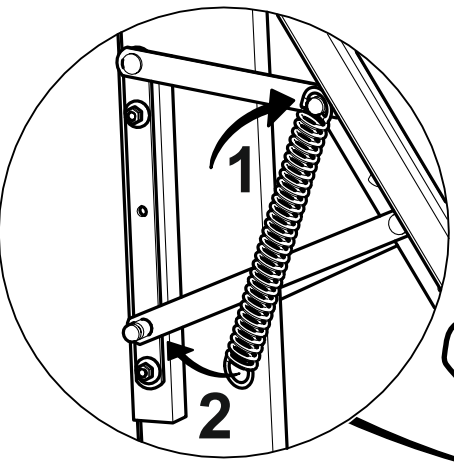
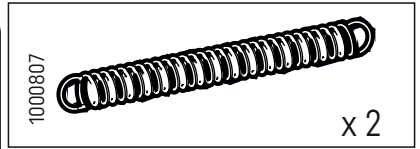
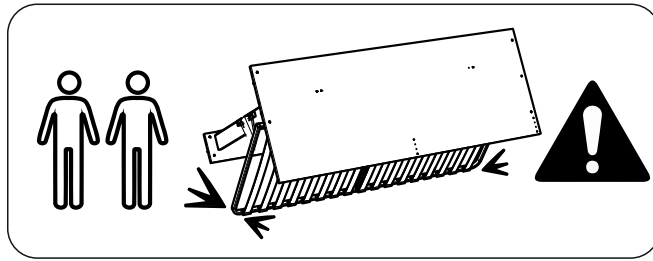


17

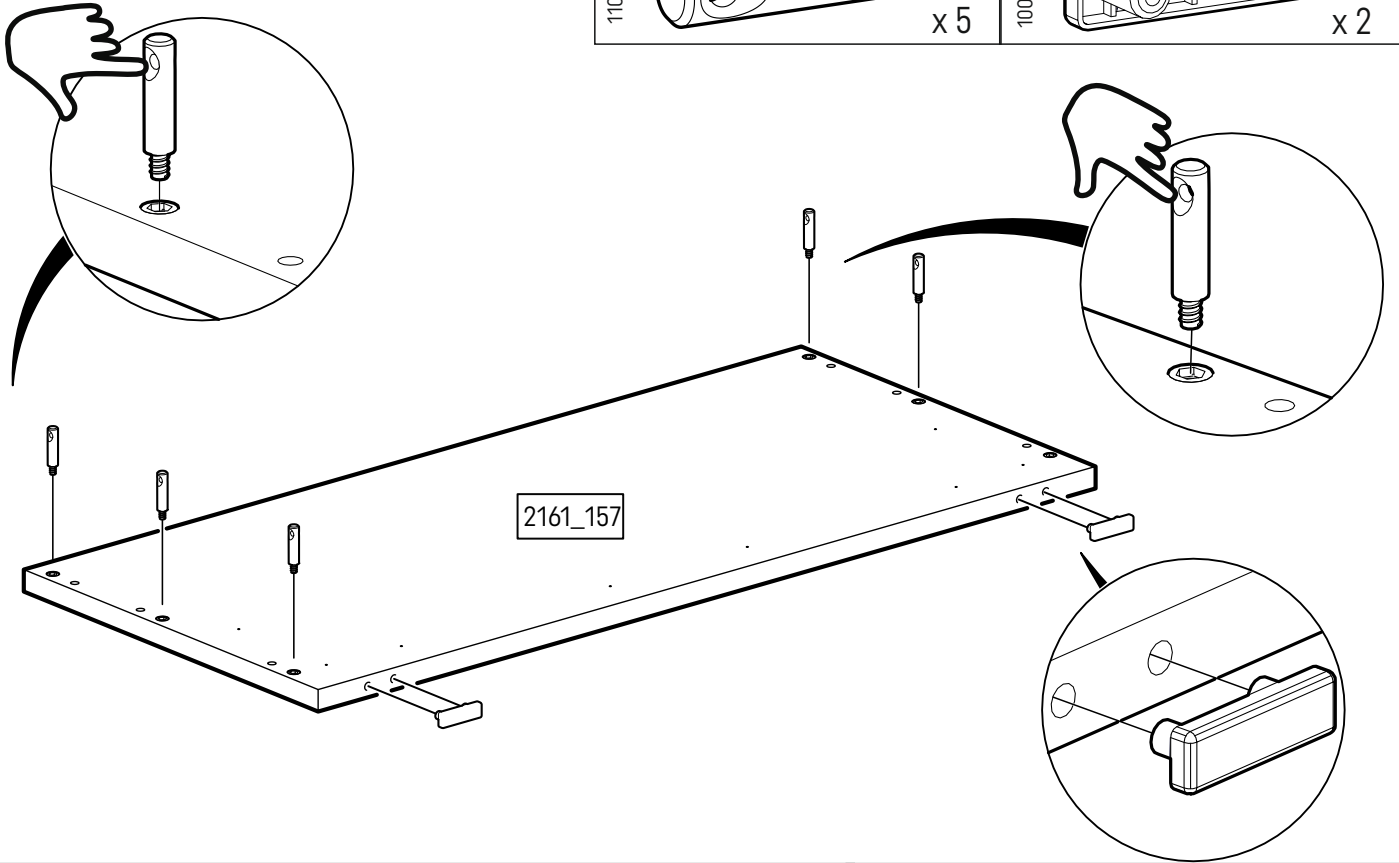
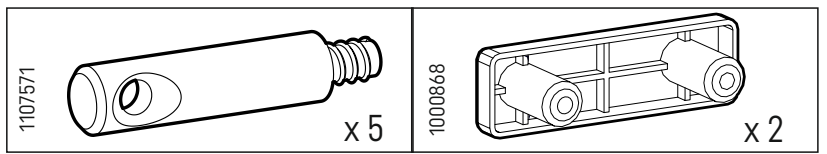
1006060		x 4	1005680		x 4	1006055		x 4
---------	---	-----	---------	--	-----	---------	---	-----



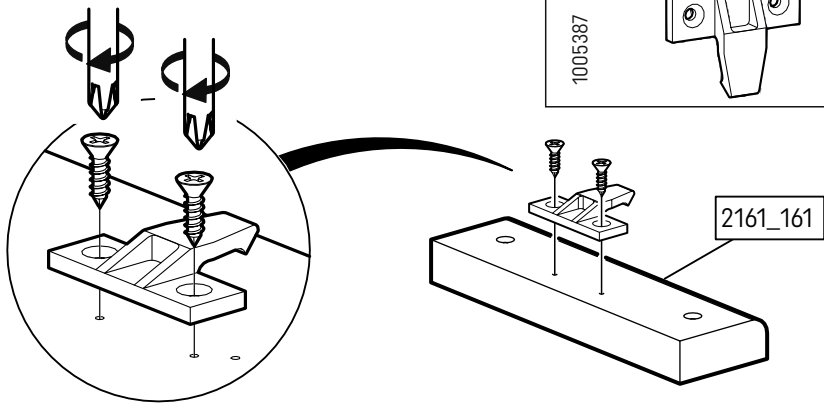
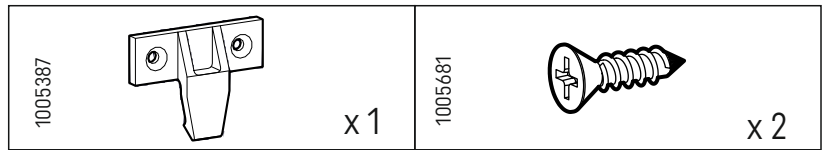
18



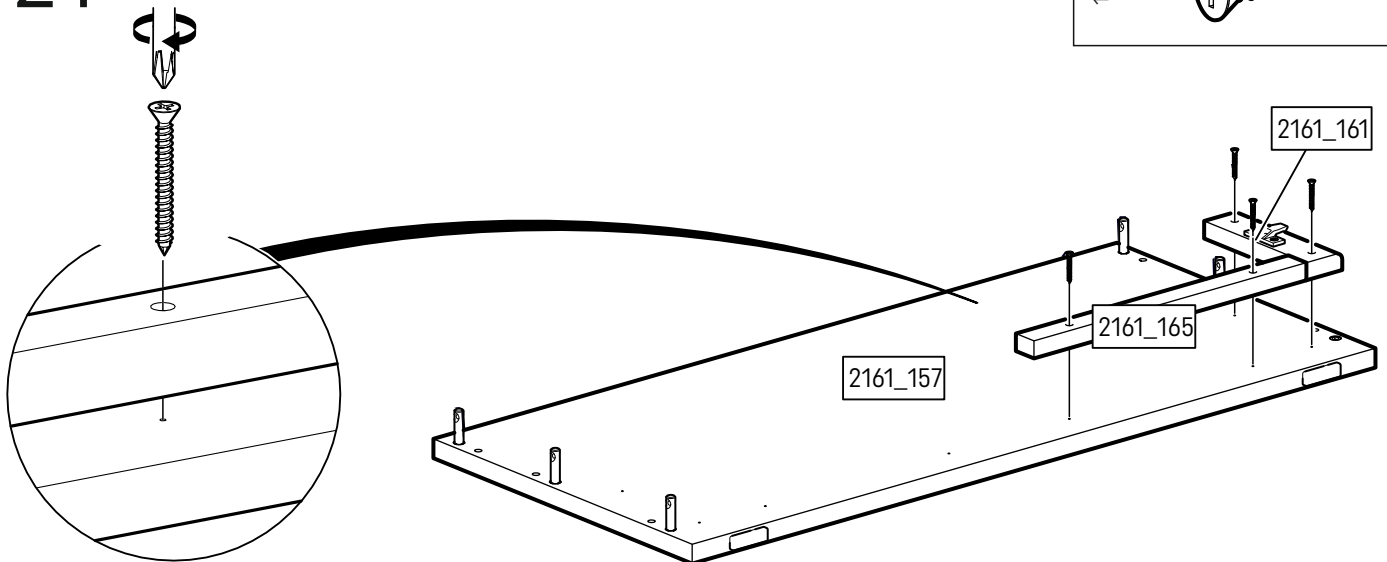
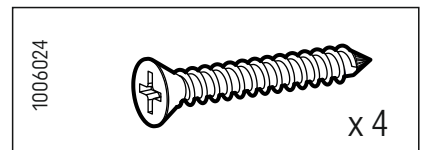
19



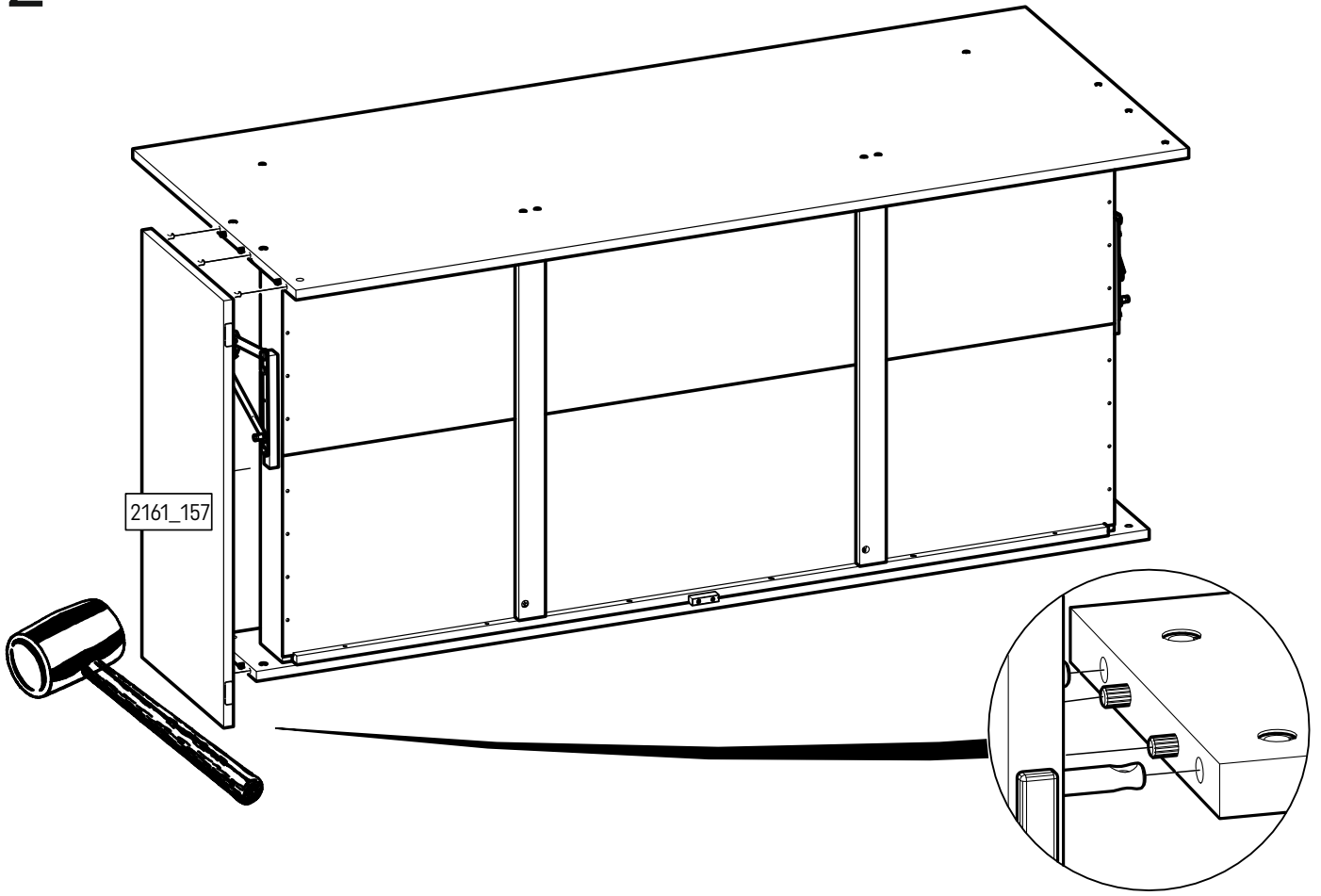
20



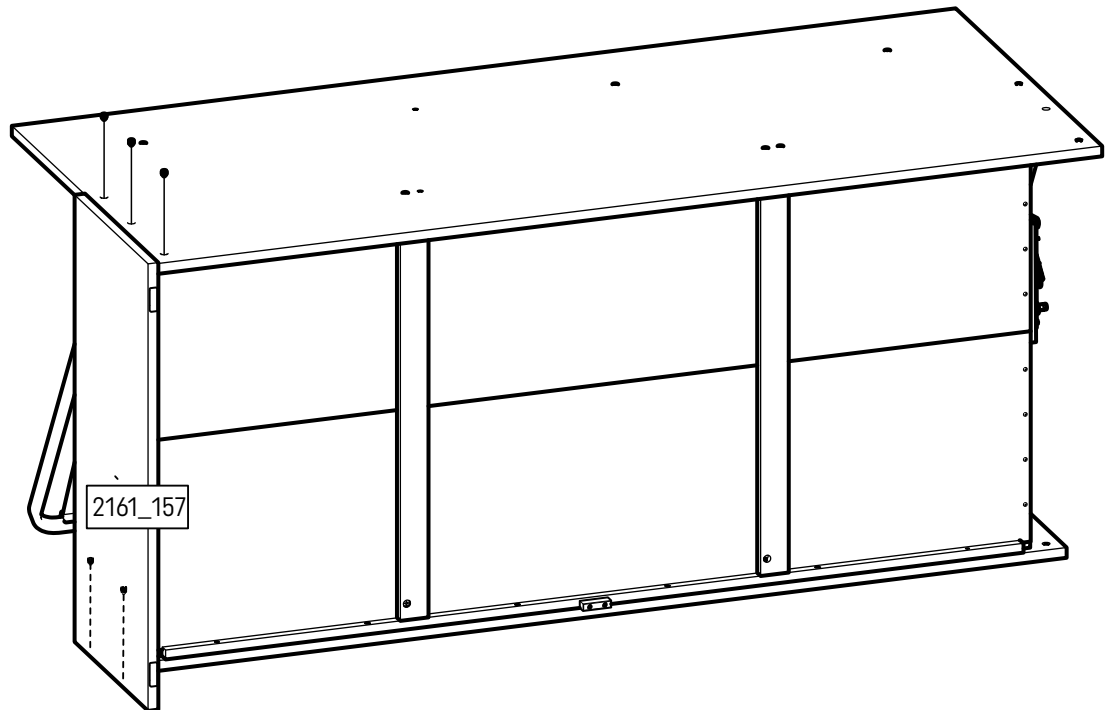
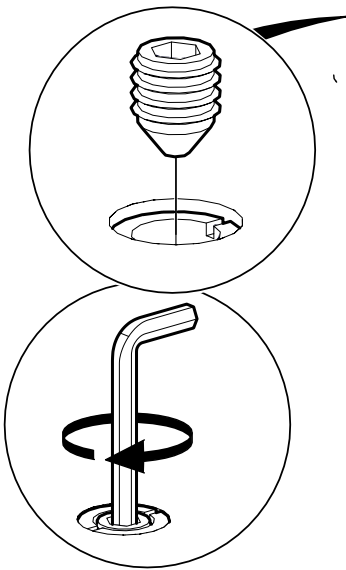
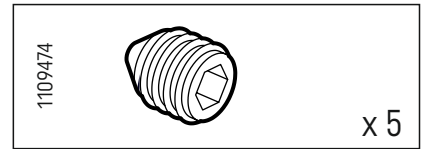
21



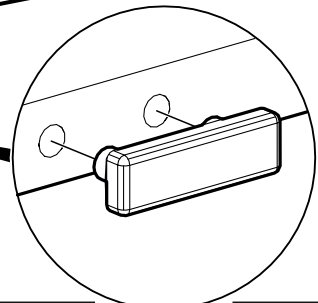
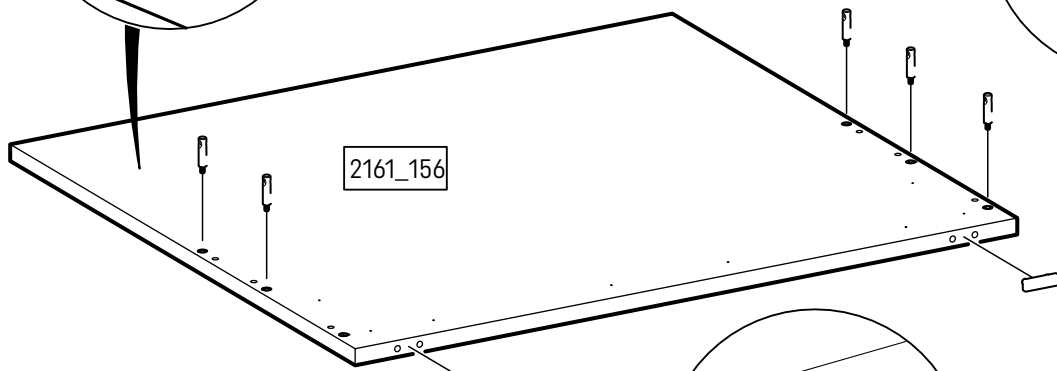
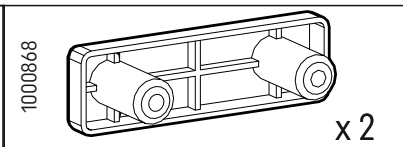
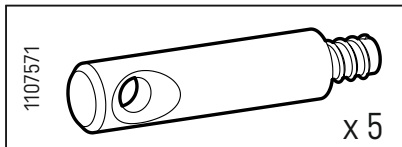
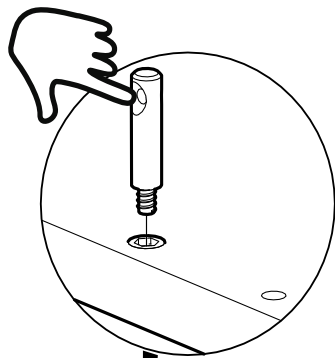
22



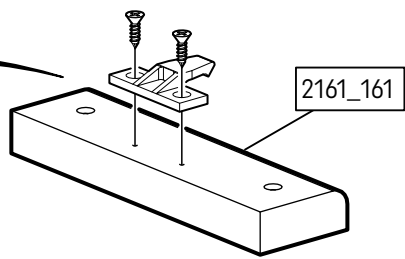
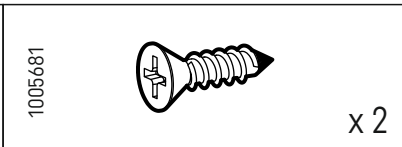
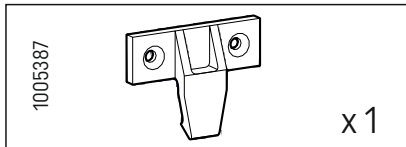
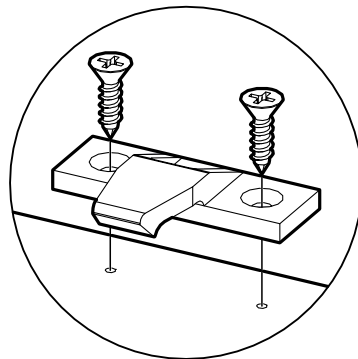
23



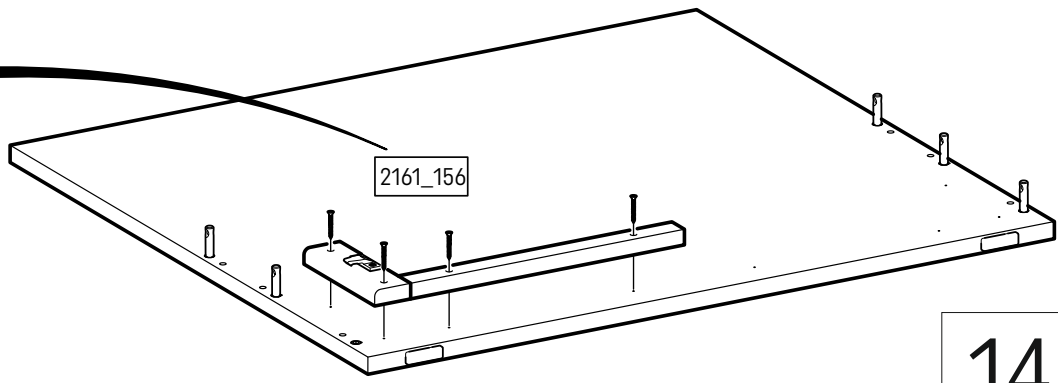
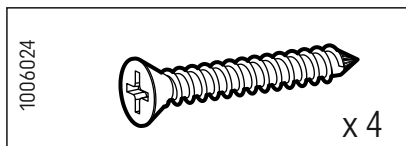
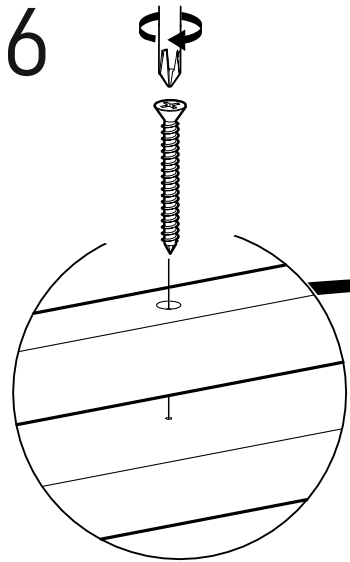
24



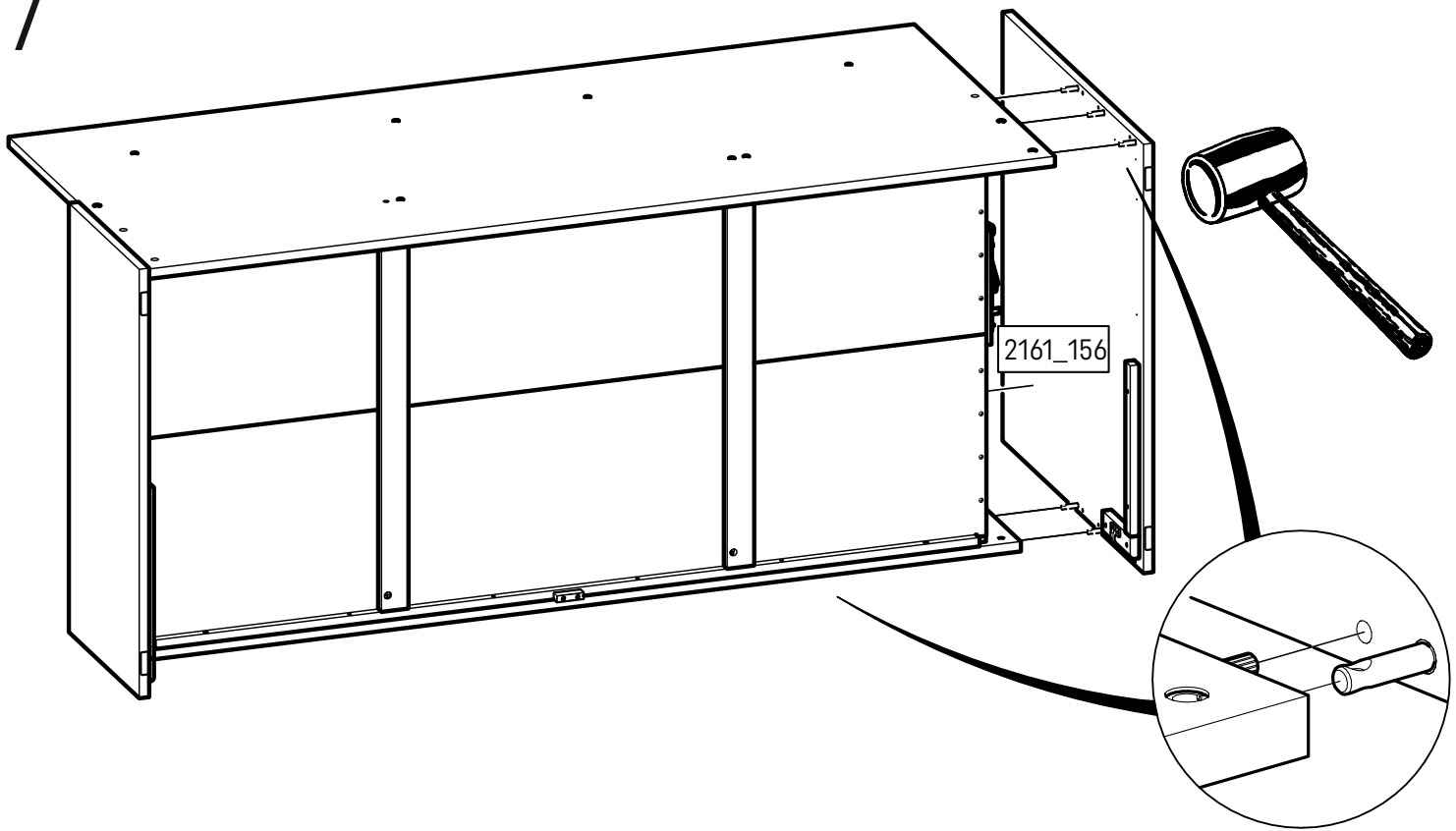
25



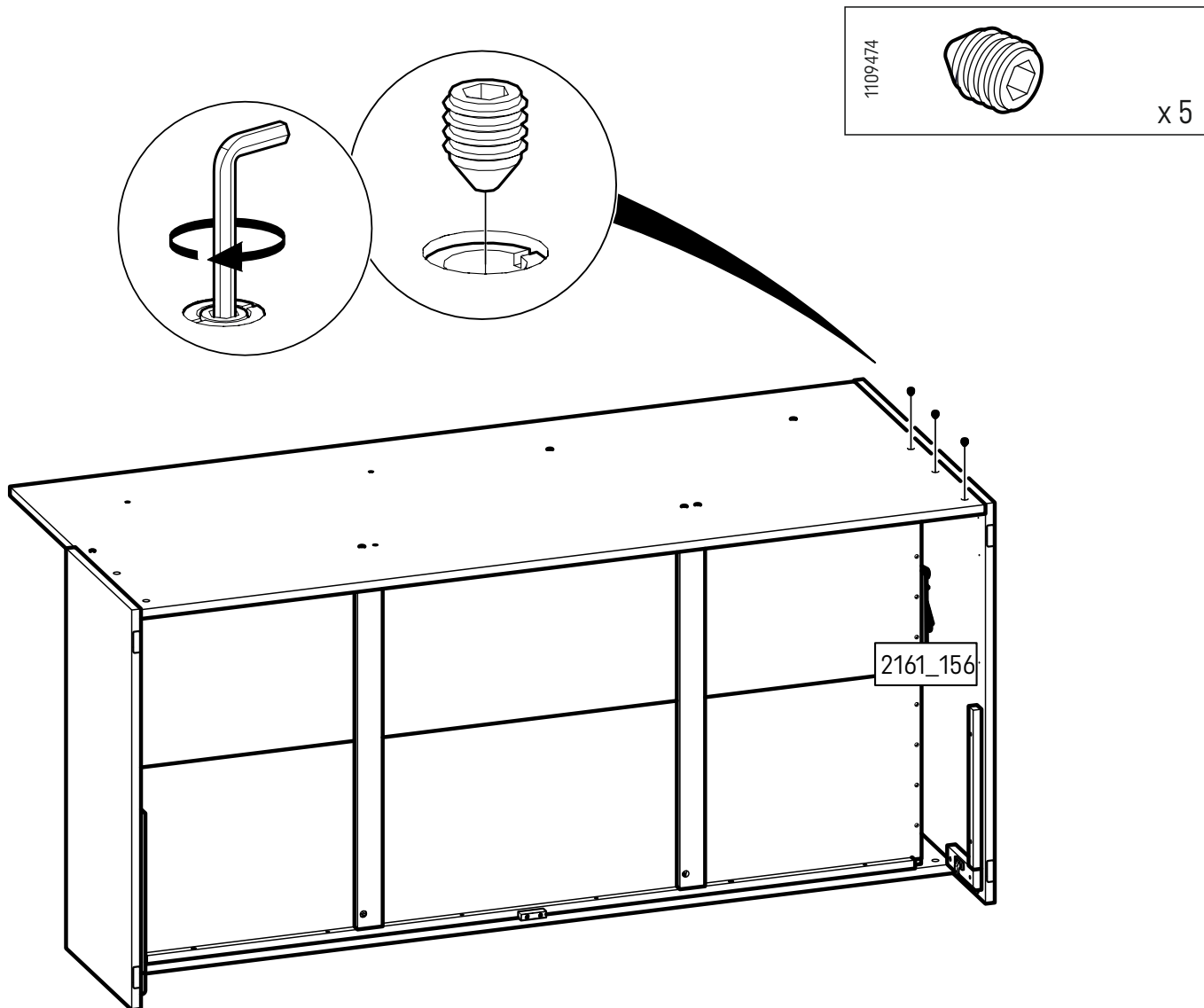
26



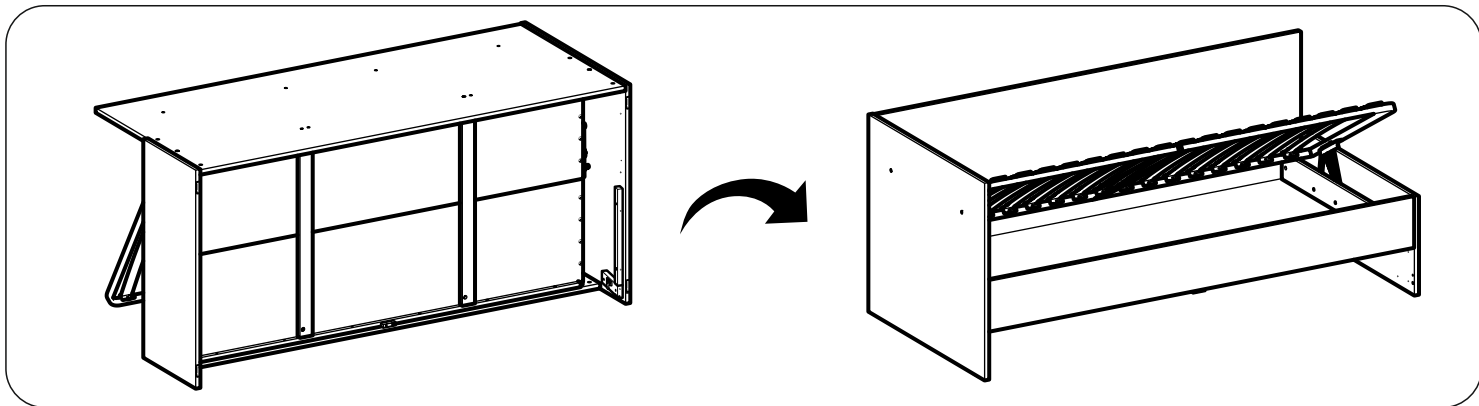
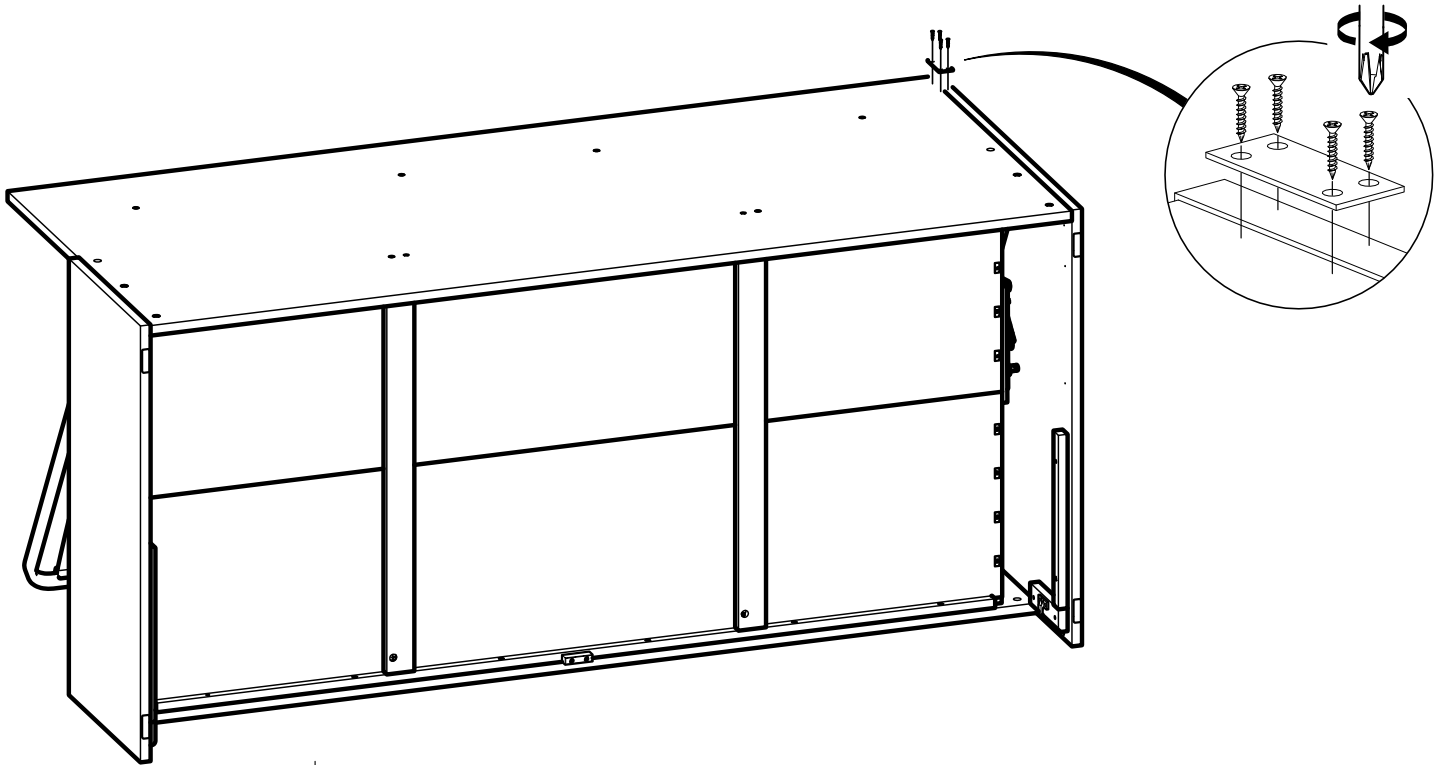
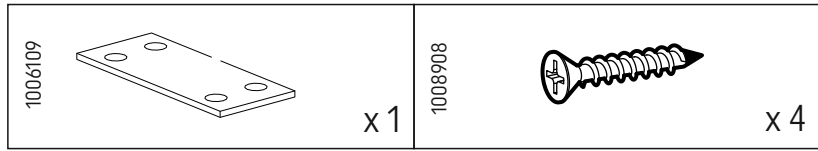
27



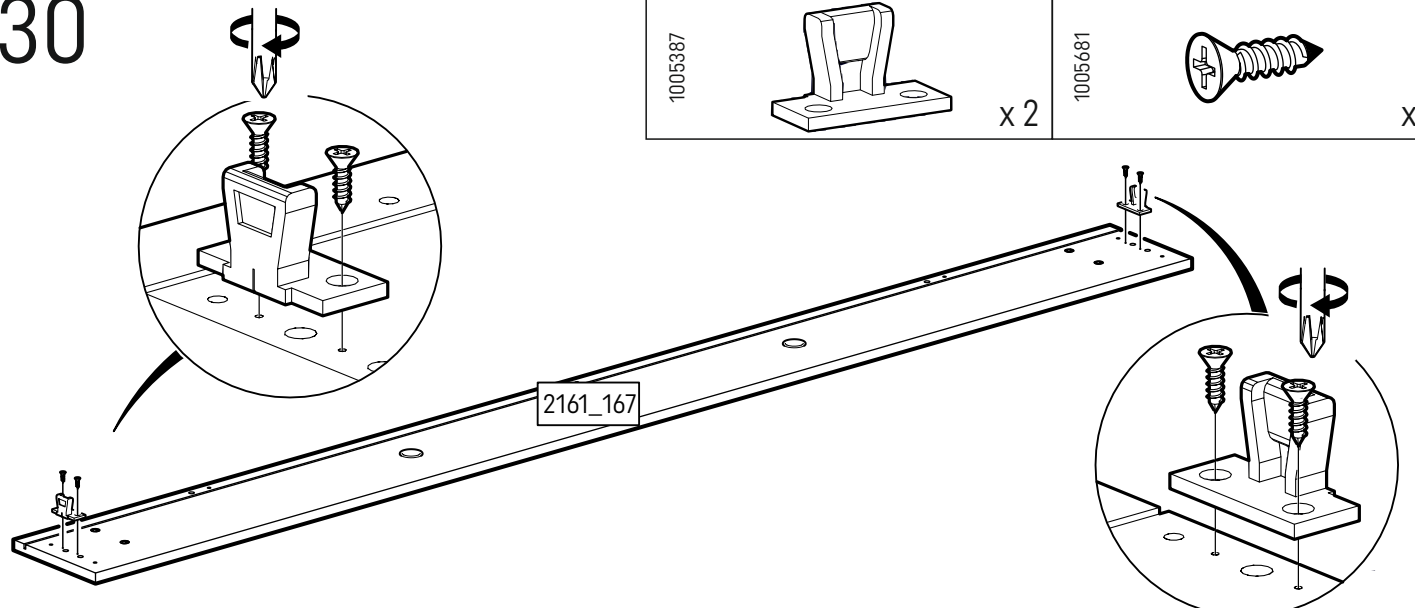
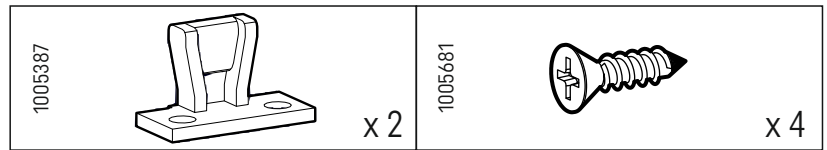
28



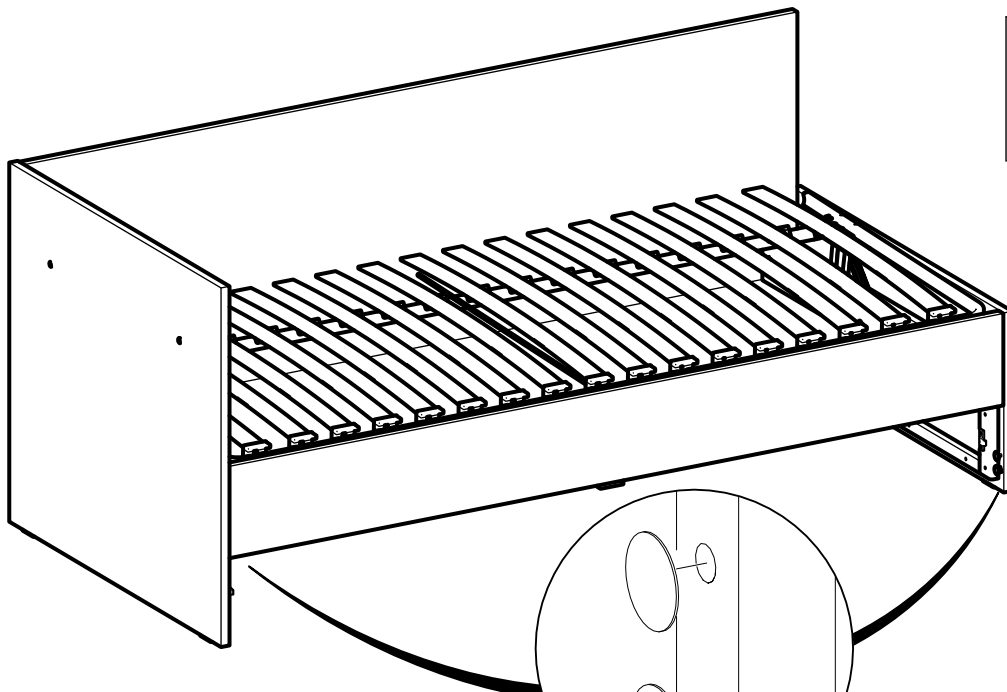
29




30

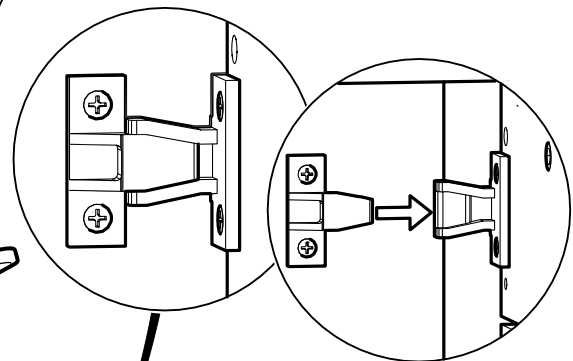
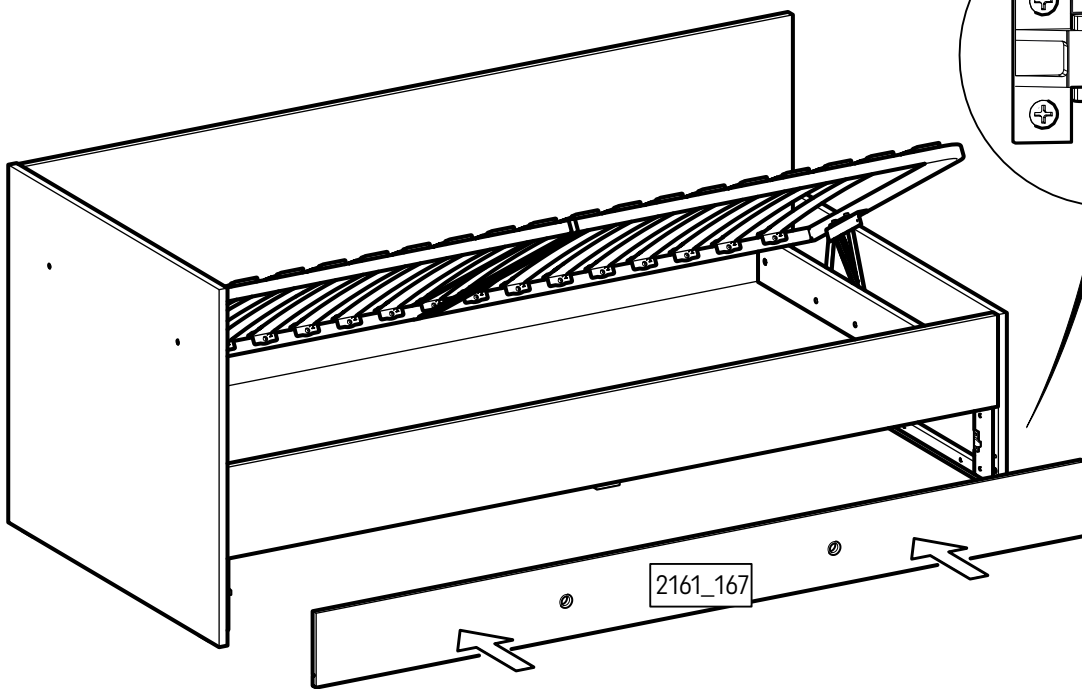


31

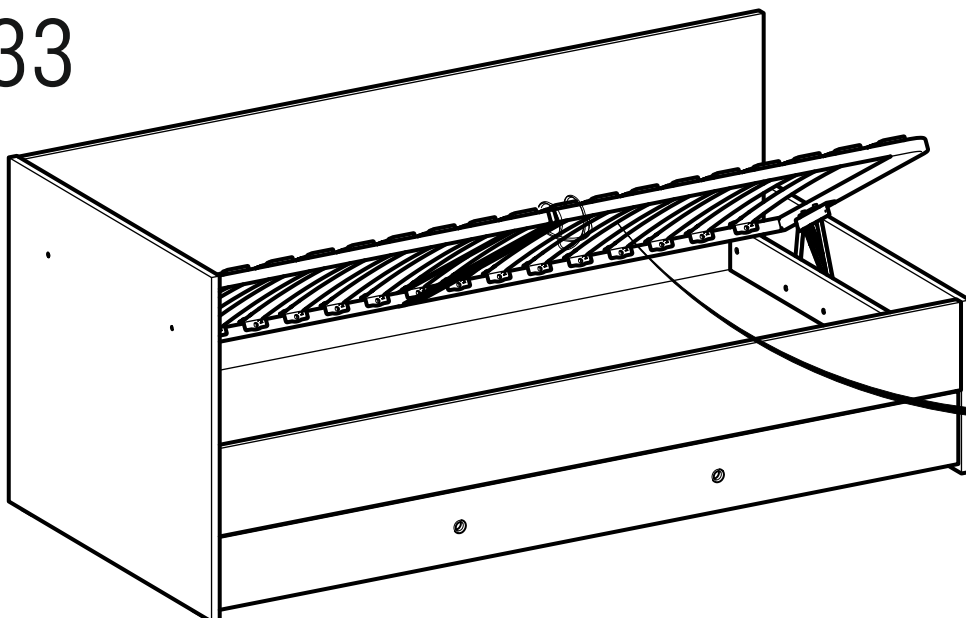



1001358  x 4

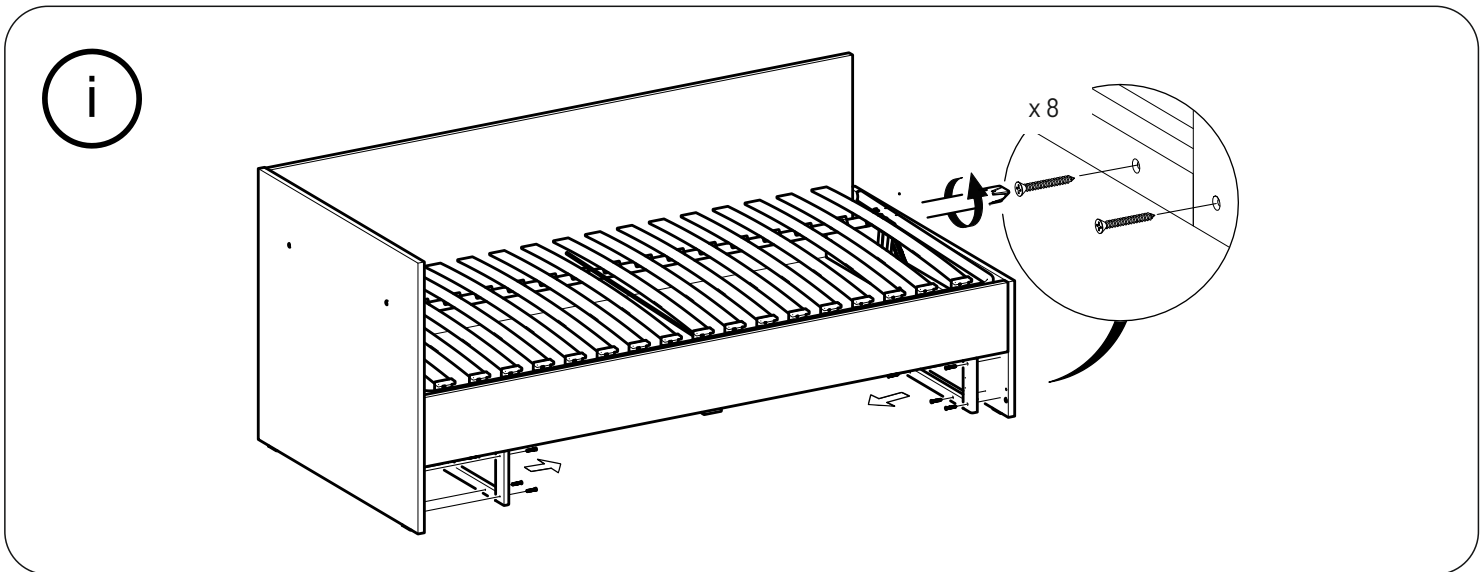
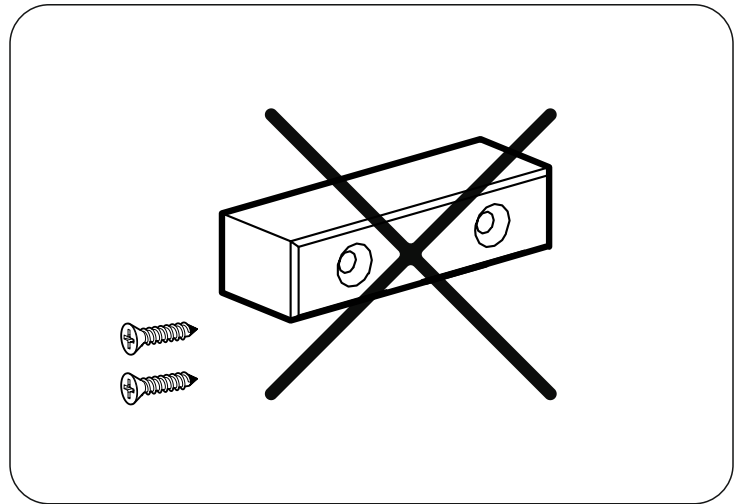
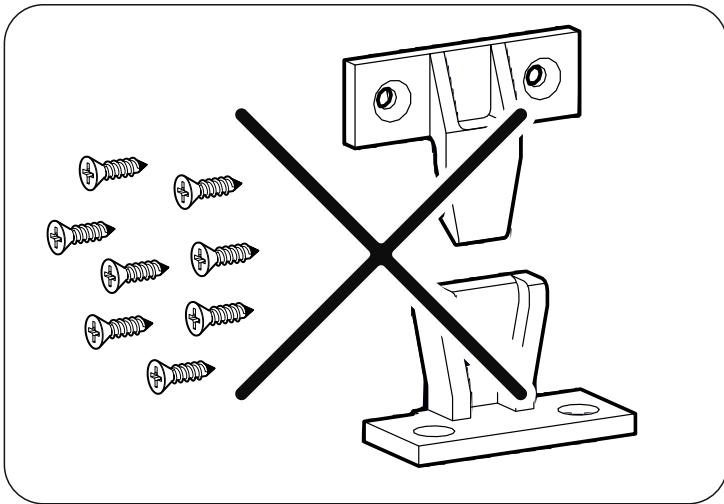
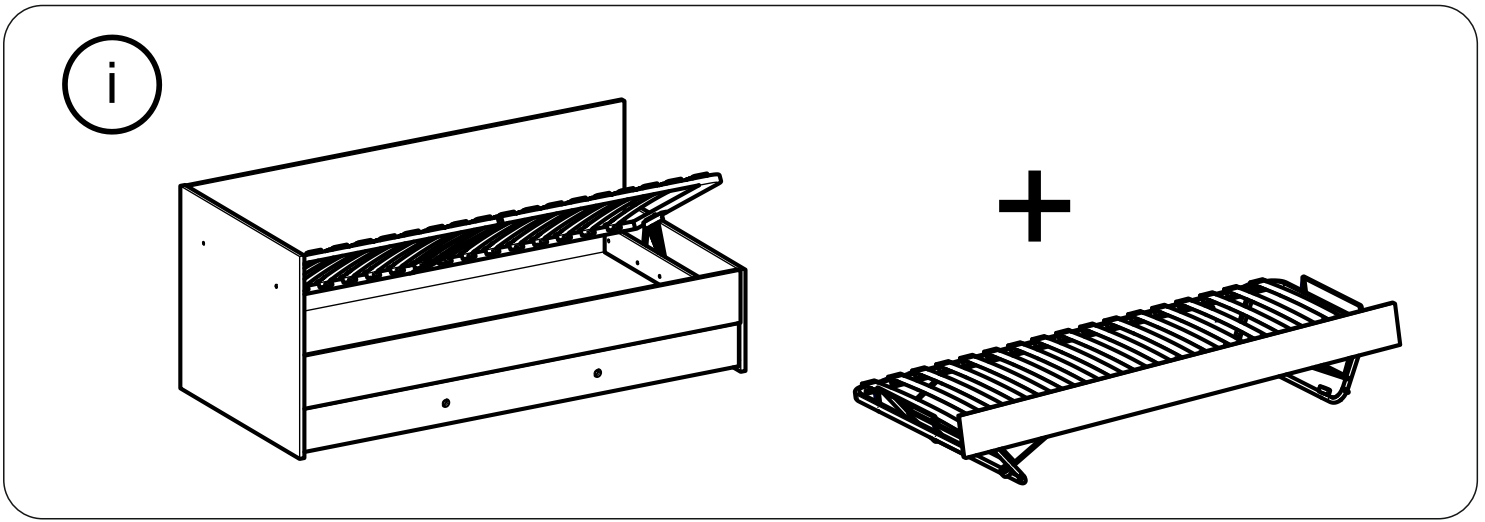
32



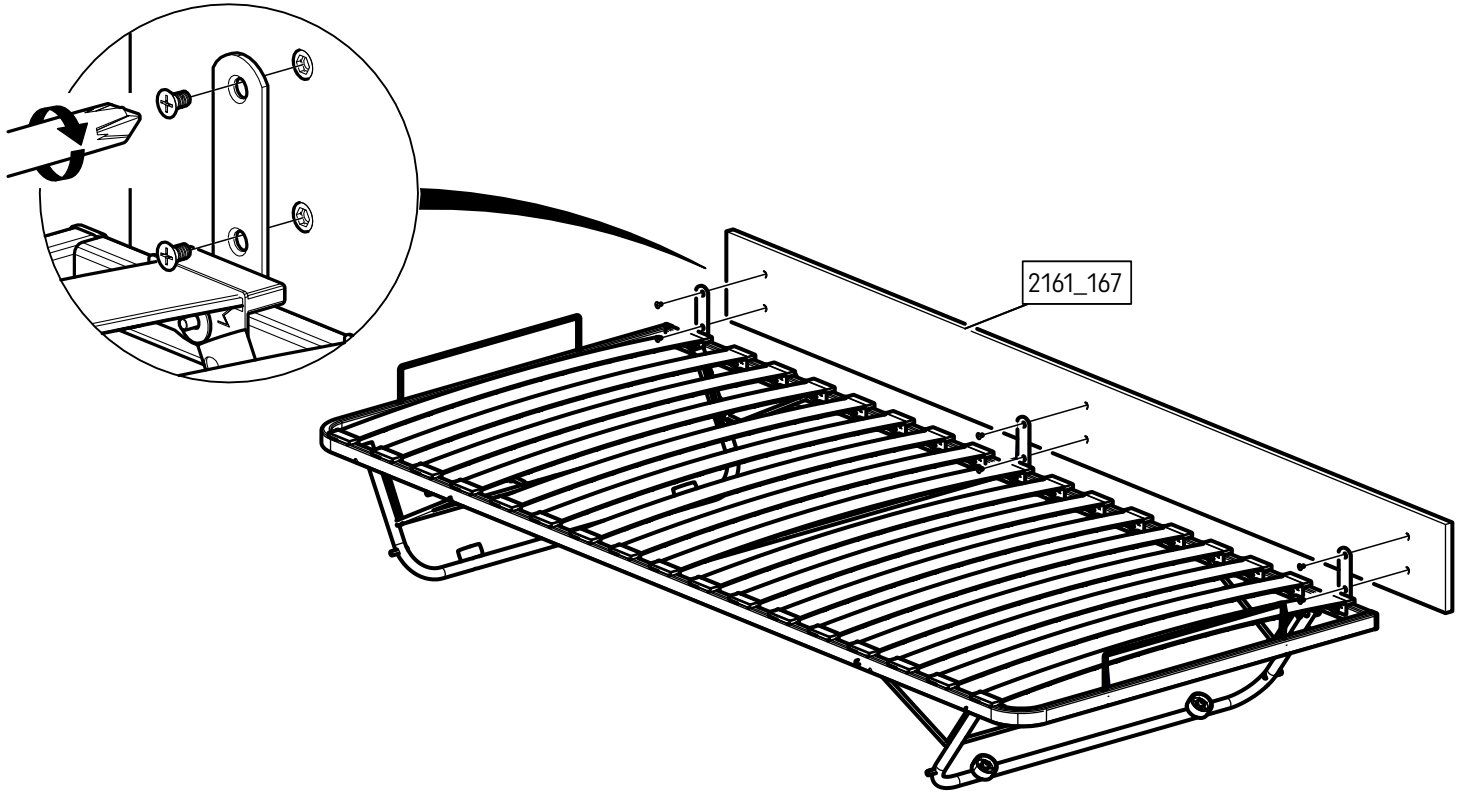
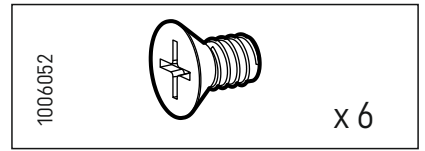
33



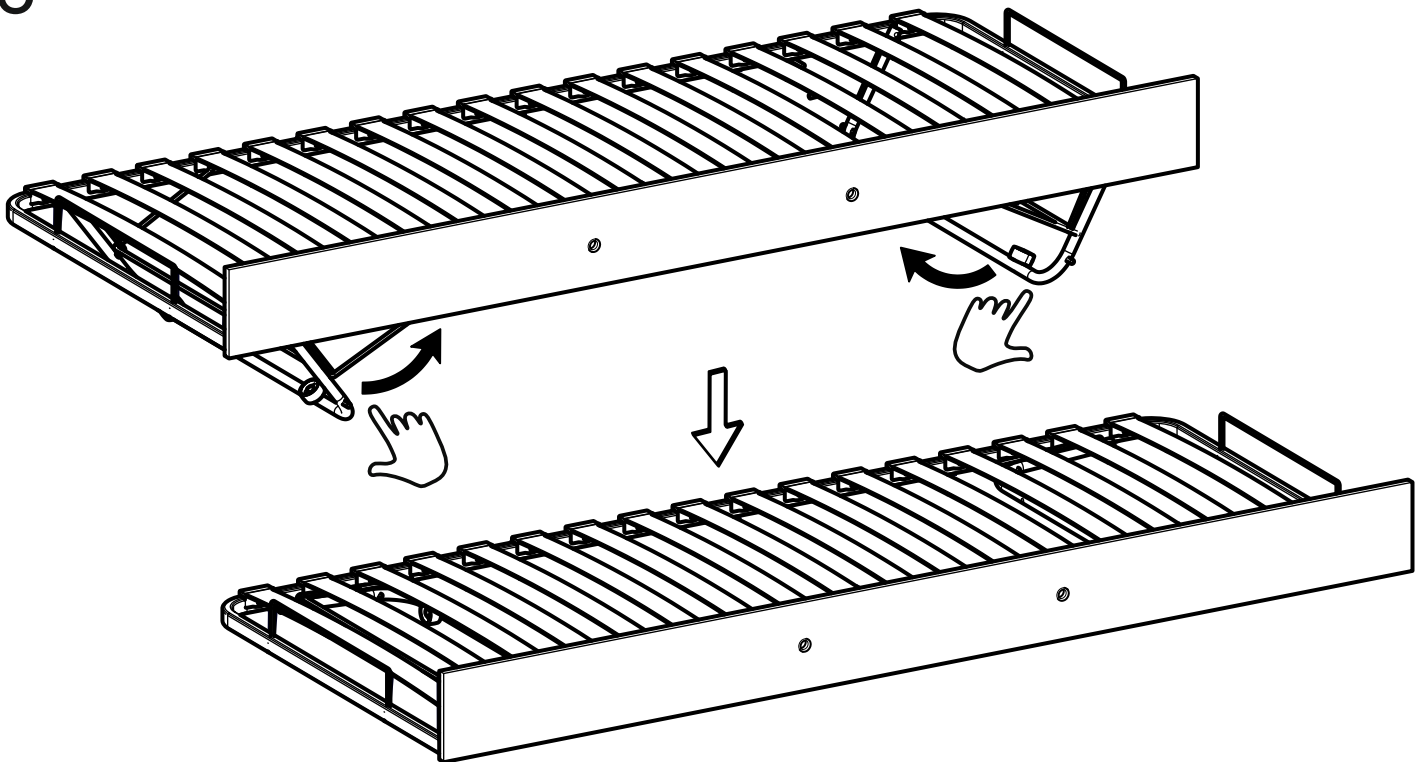
1000192  x 1

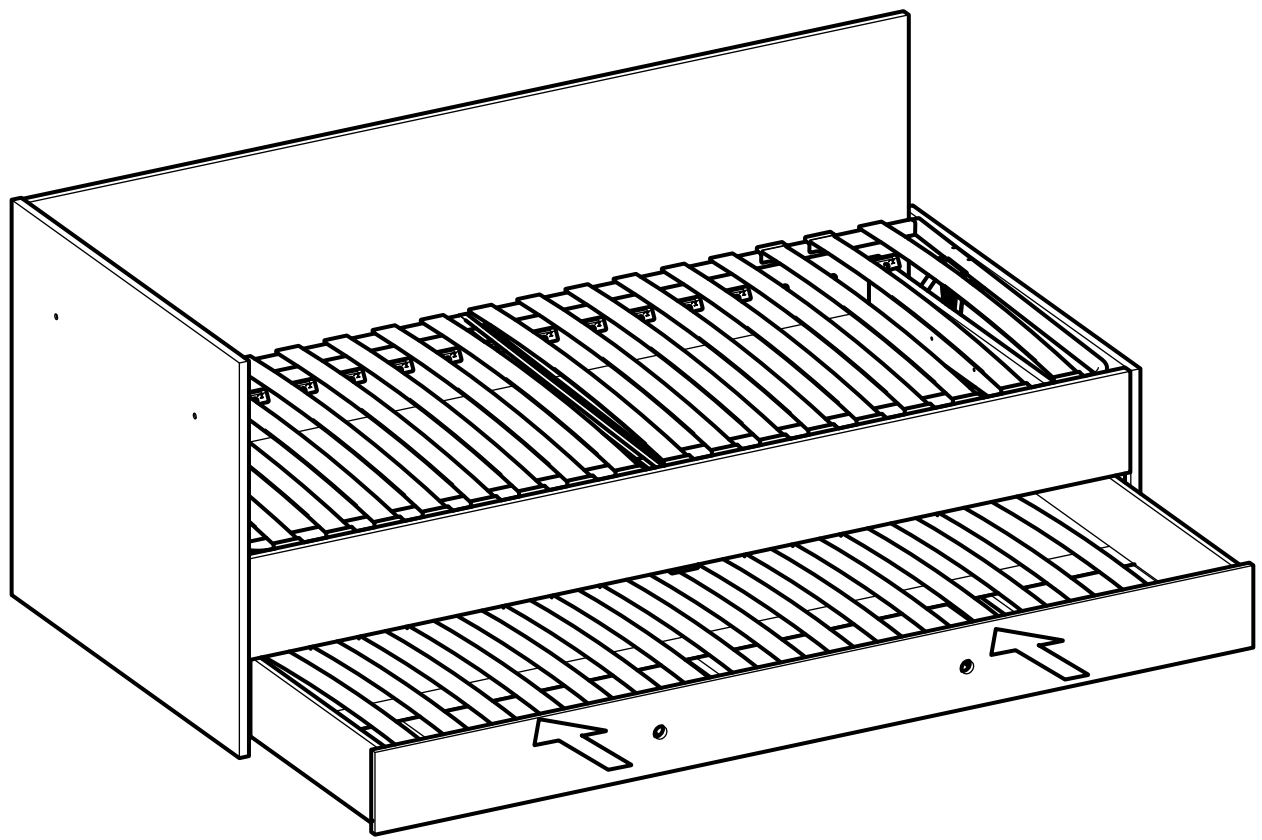


34

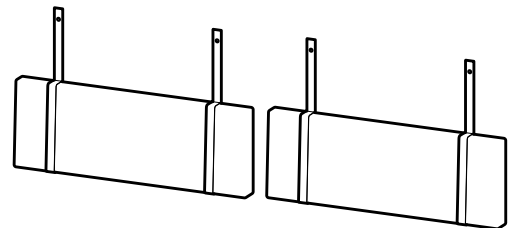
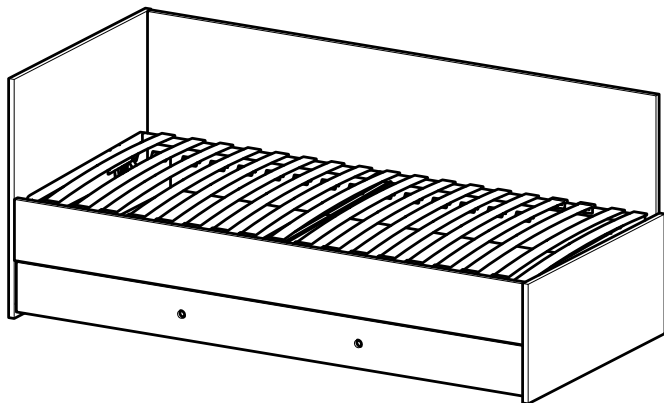
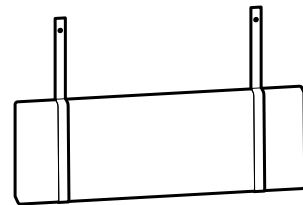
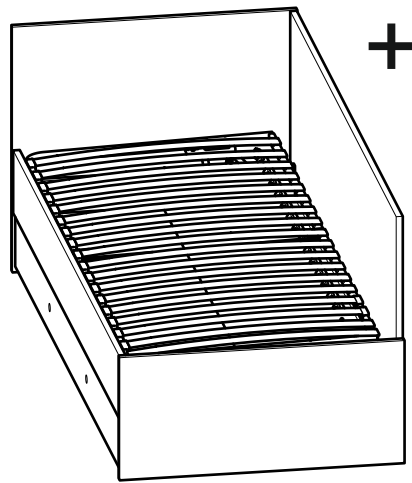


35

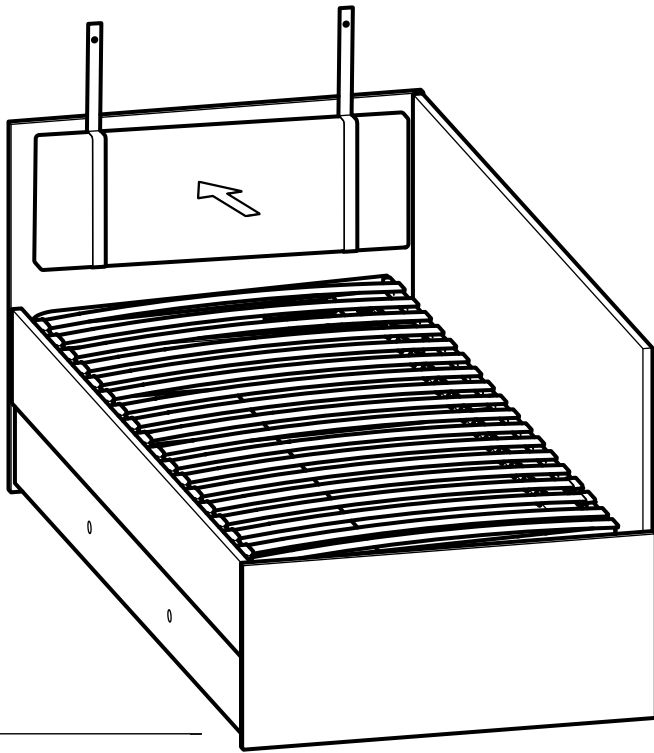




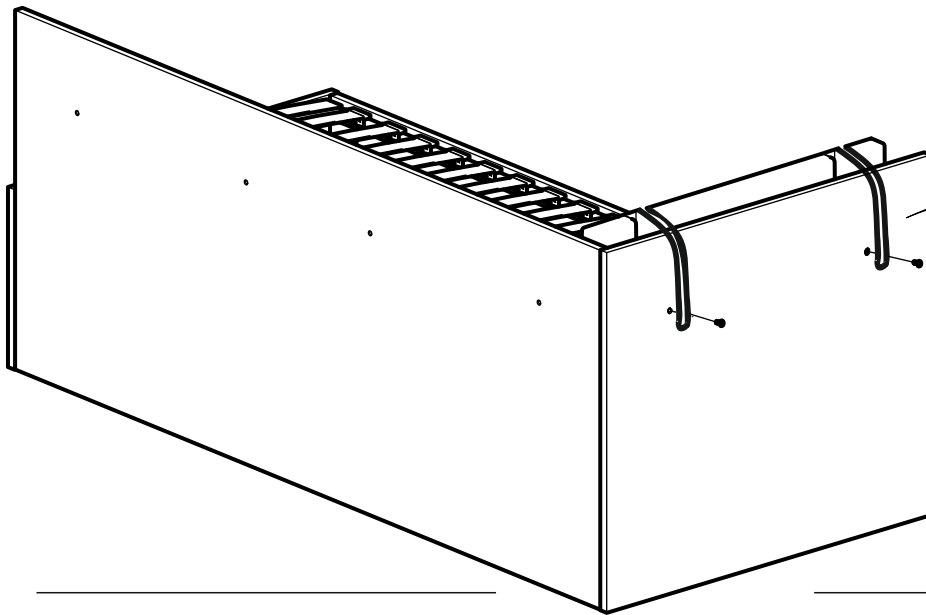
i



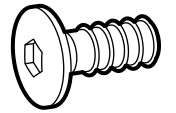
37



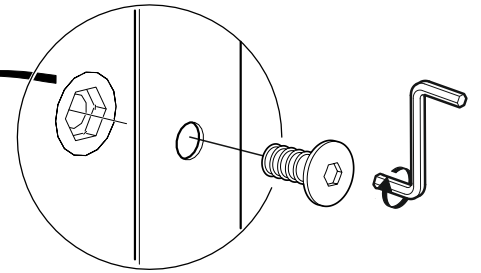
38



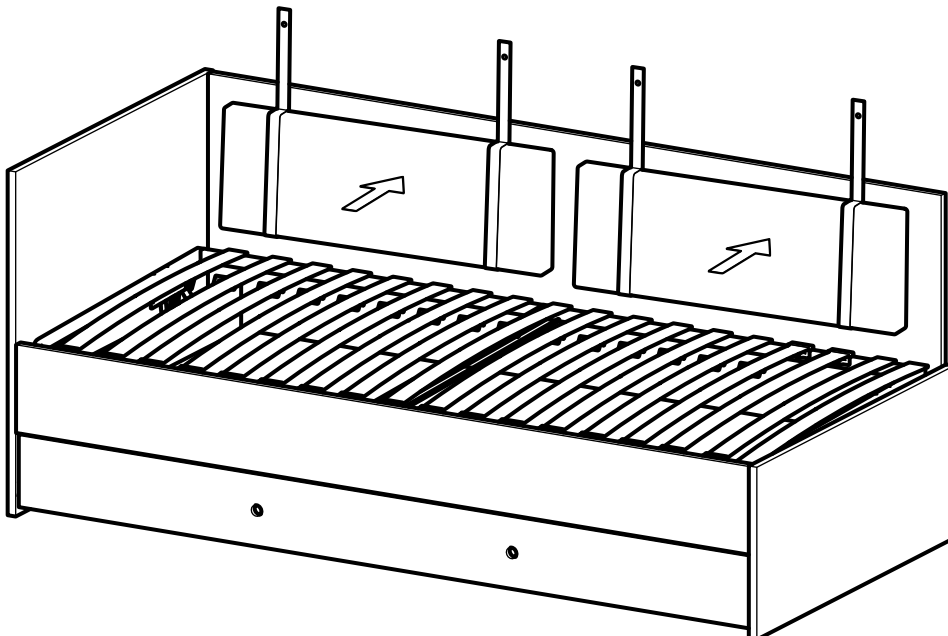
1006055



x2



39



40

