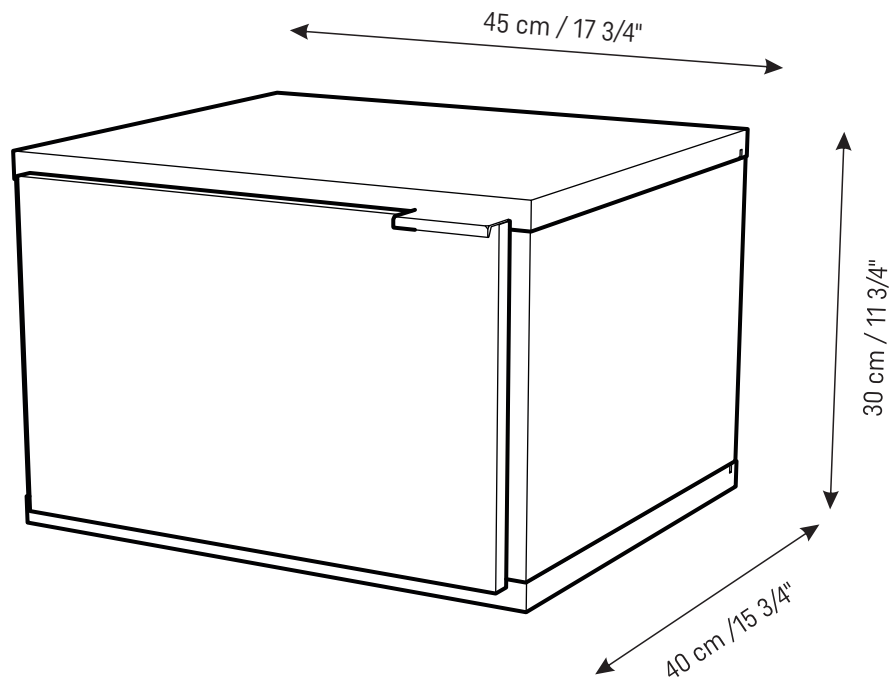
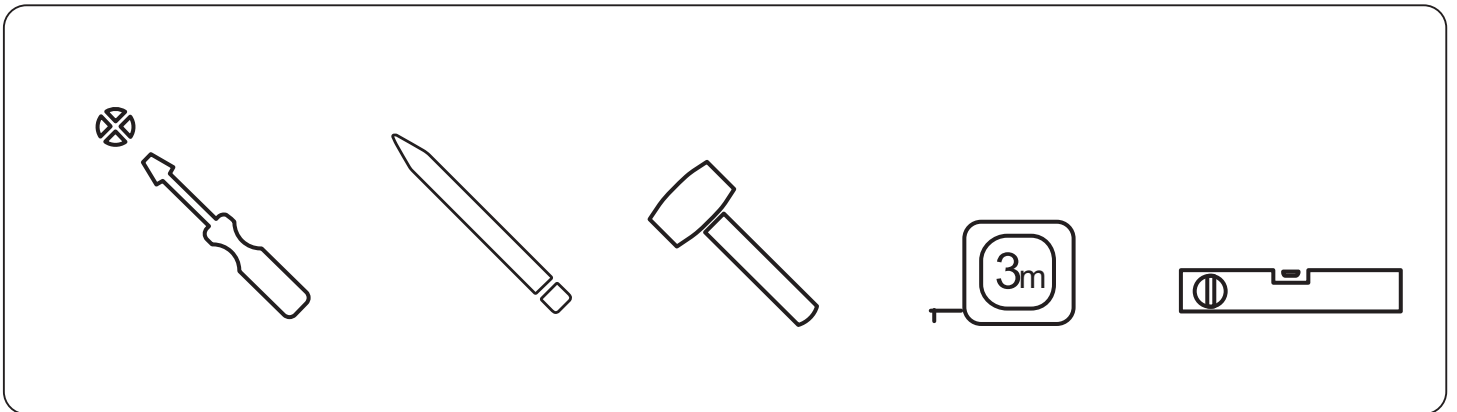
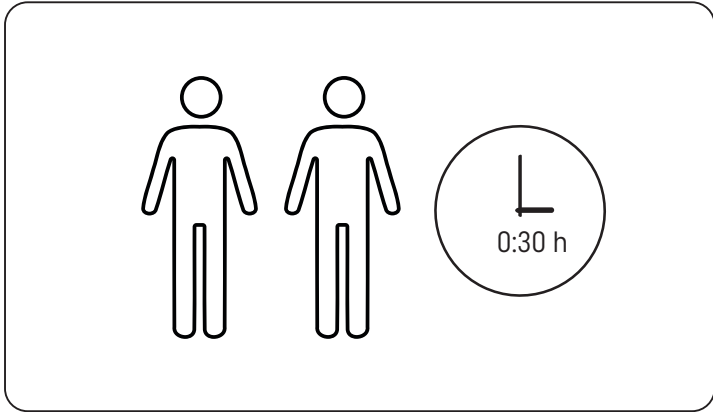
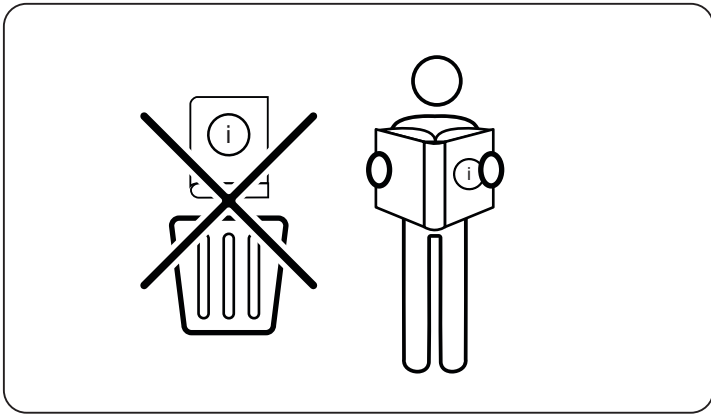
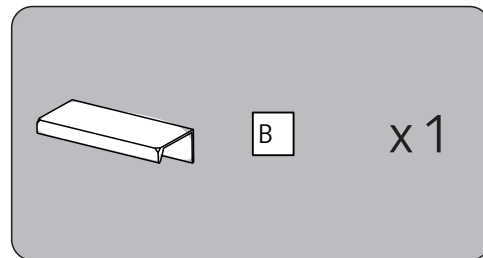
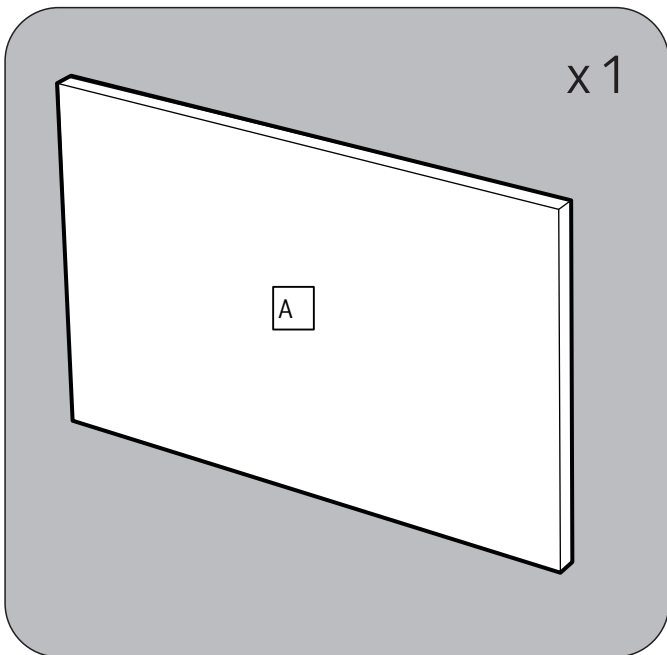
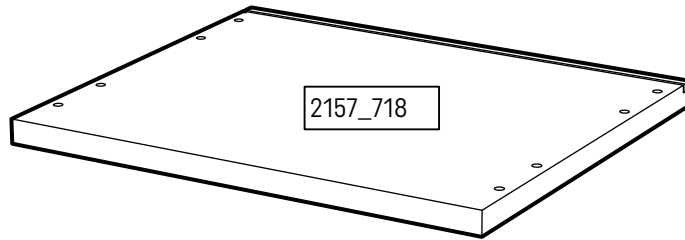
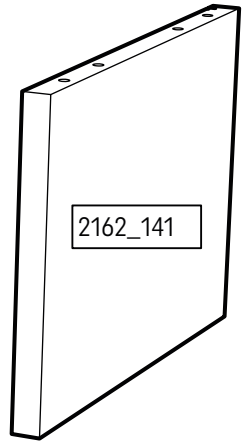
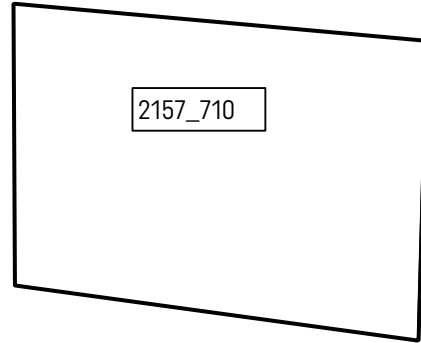
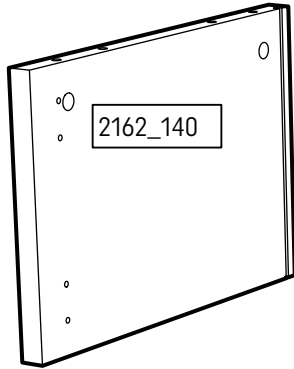
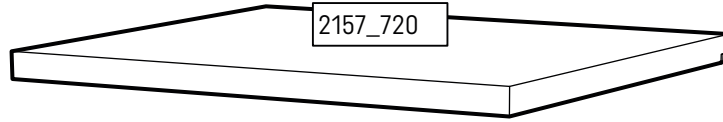
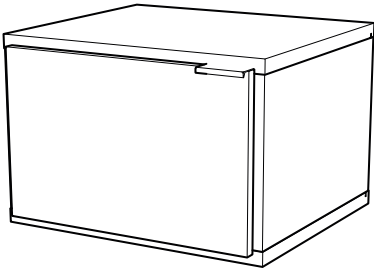



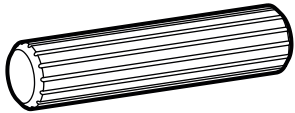
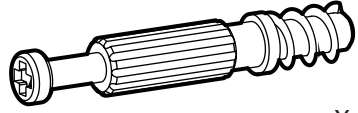
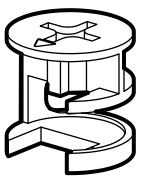

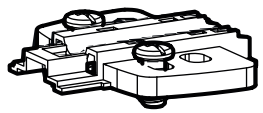
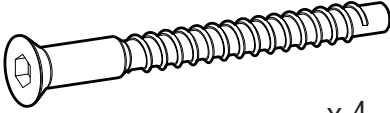
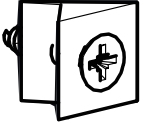
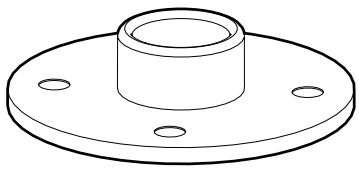
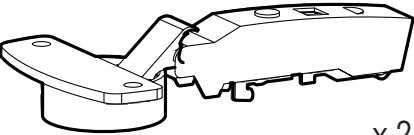
# SIMPLE

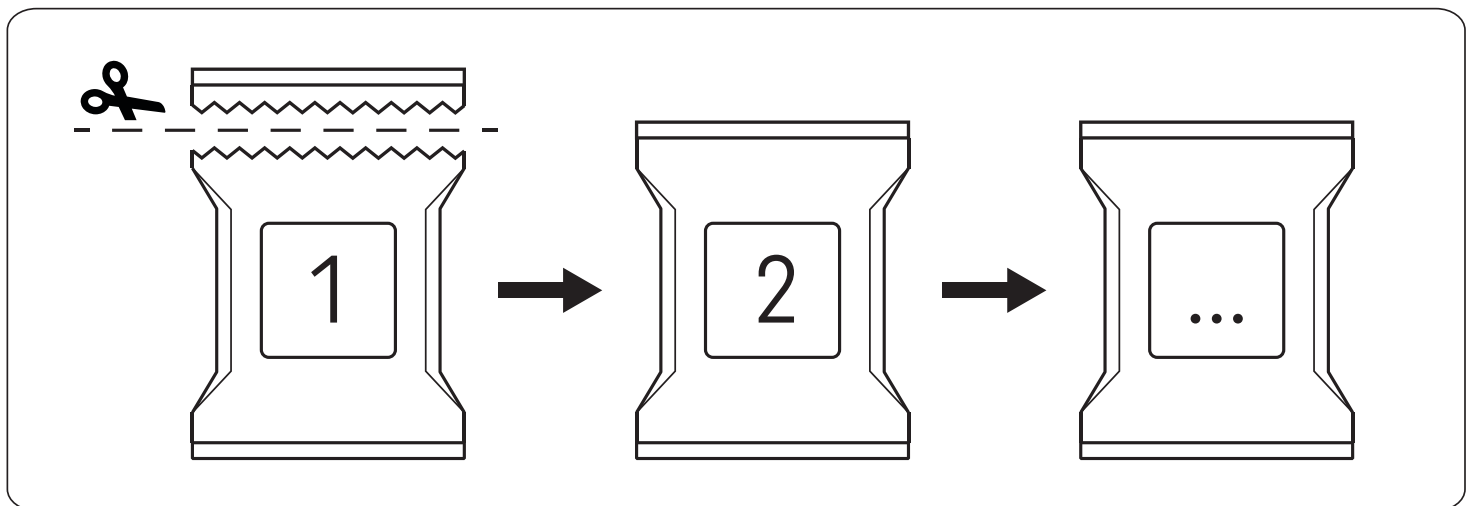
4015628\_002



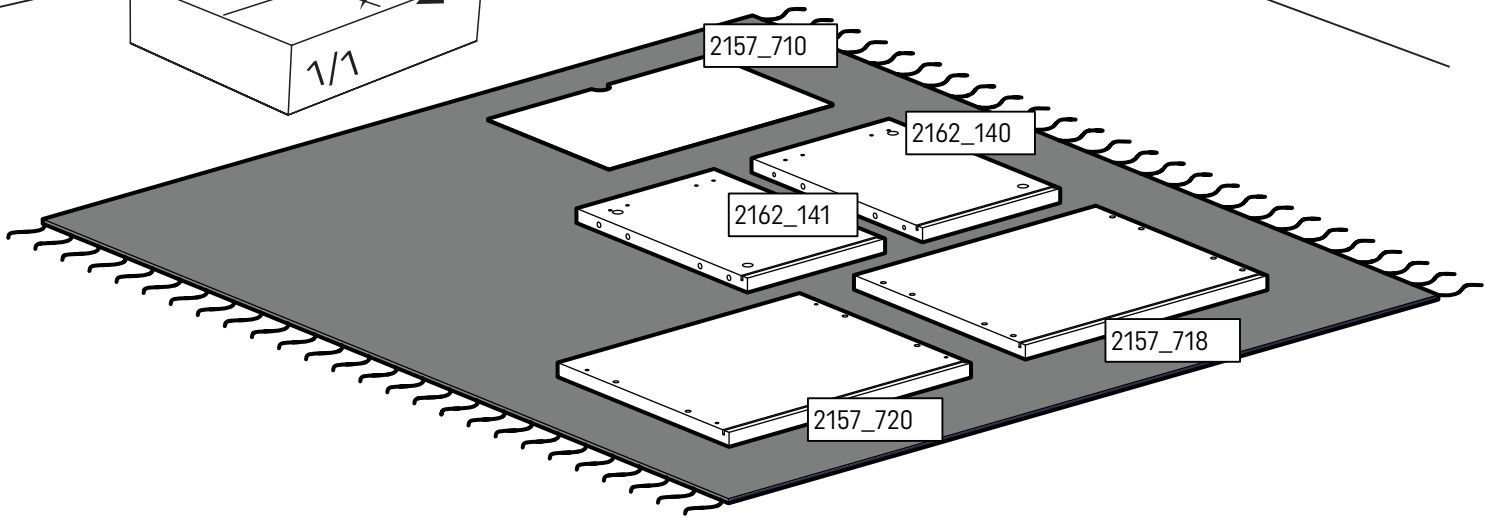
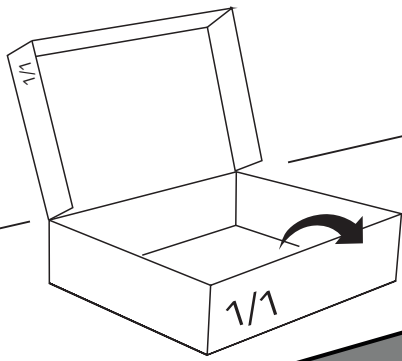




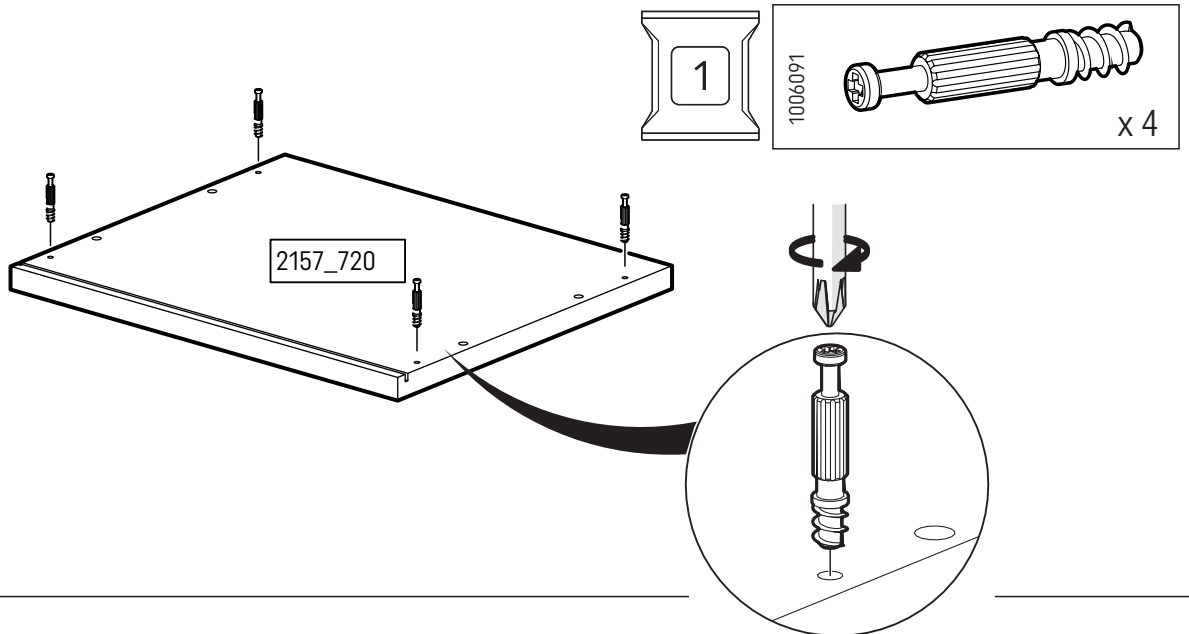
<p>1000806</p>  <p>x 1</p>	<p>1005857</p>  <p>x 8</p>	<p>1006091</p>  <p>x 4</p>
<p>1005735</p>  <p>x 4</p>	<p>1005681</p>  <p>x 20</p>	<p>1113391</p>  <p>x 2</p>
<p>1005705</p>  <p>x 4</p>	<p>1006022</p>  <p>x 6</p>	<p>1101311</p>  <p>x 4</p>
<p>1113390</p>  <p>x 2</p>		



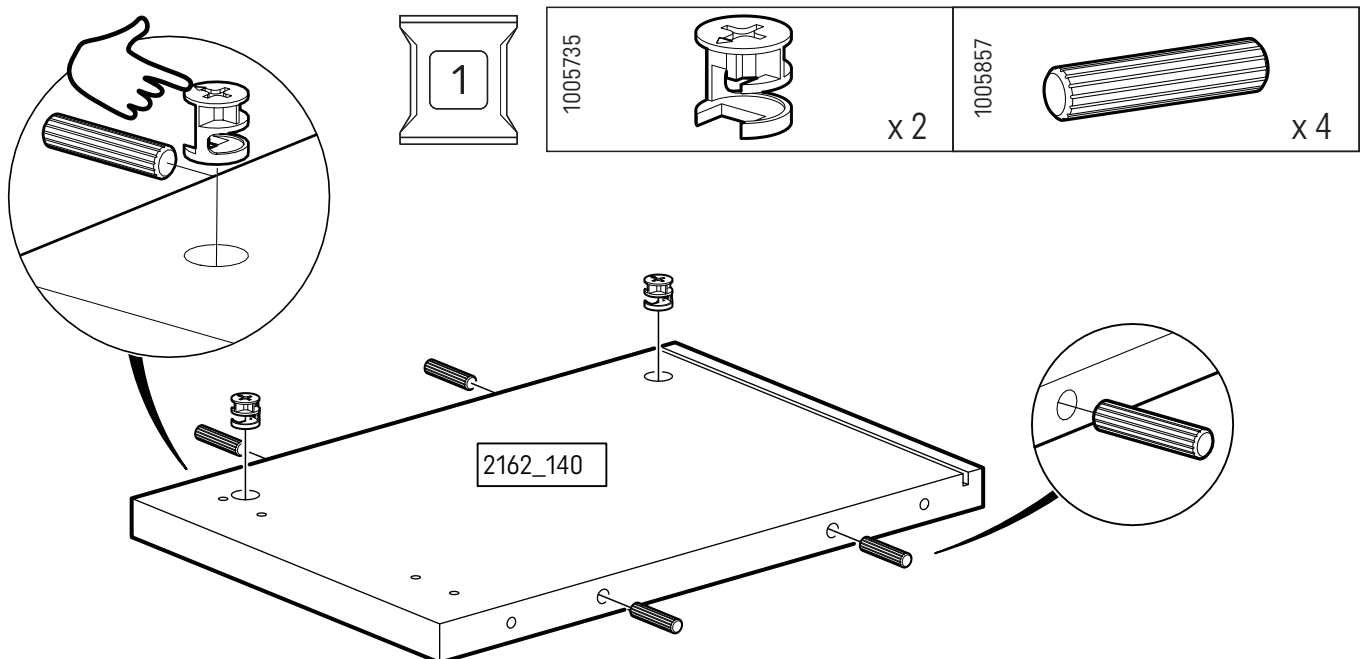
i



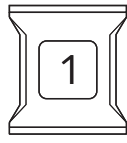
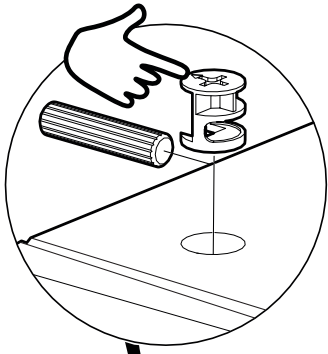
1



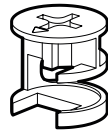
2



3

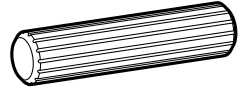


1005735

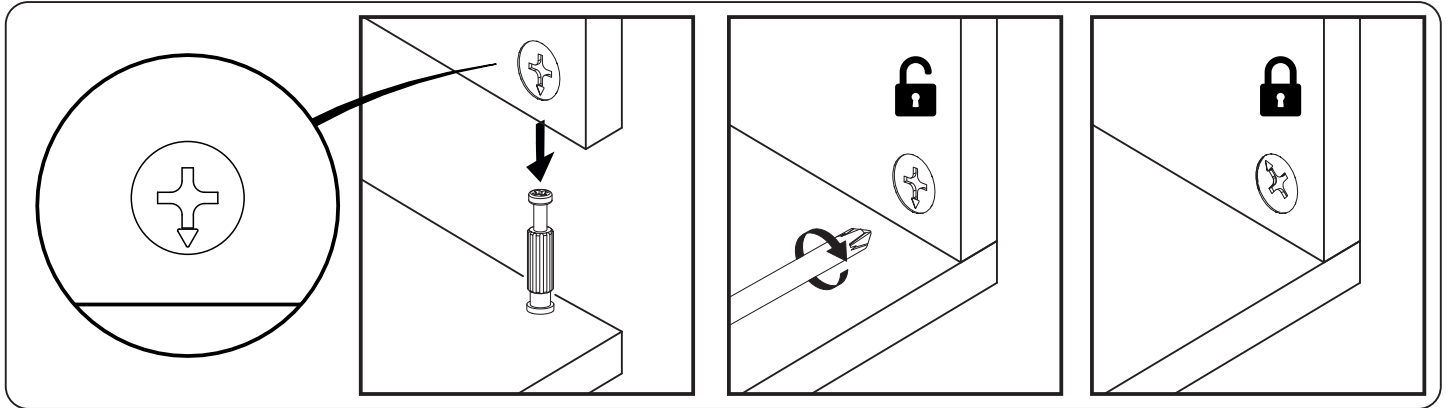
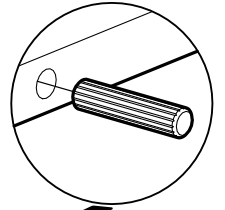
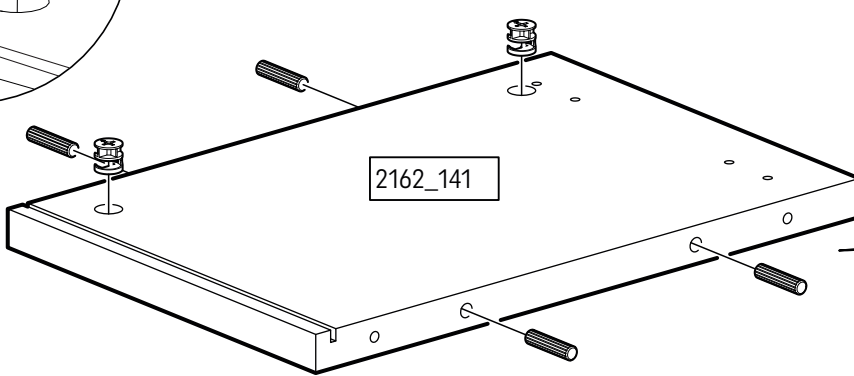


x 2

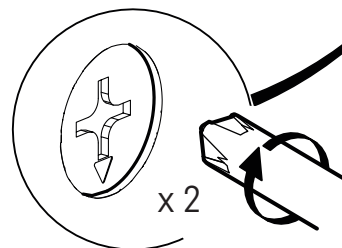
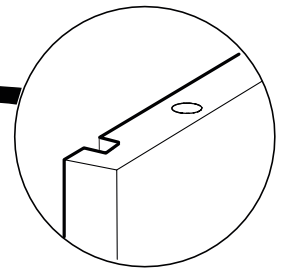
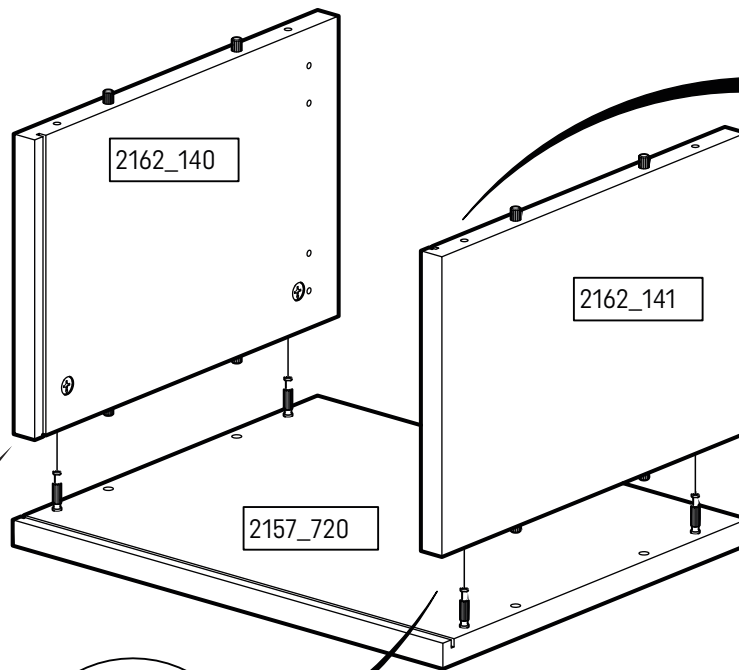
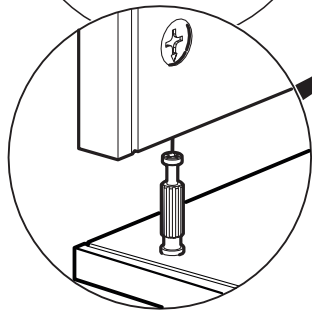
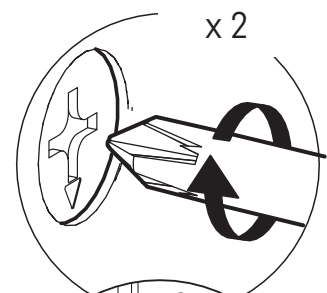
1005857



x 4

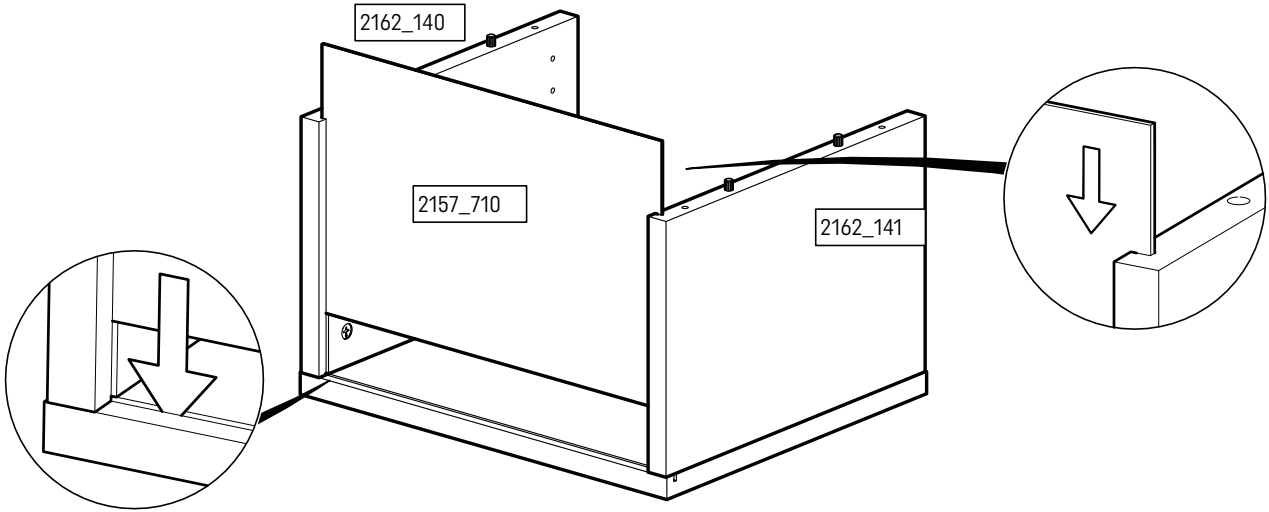


4

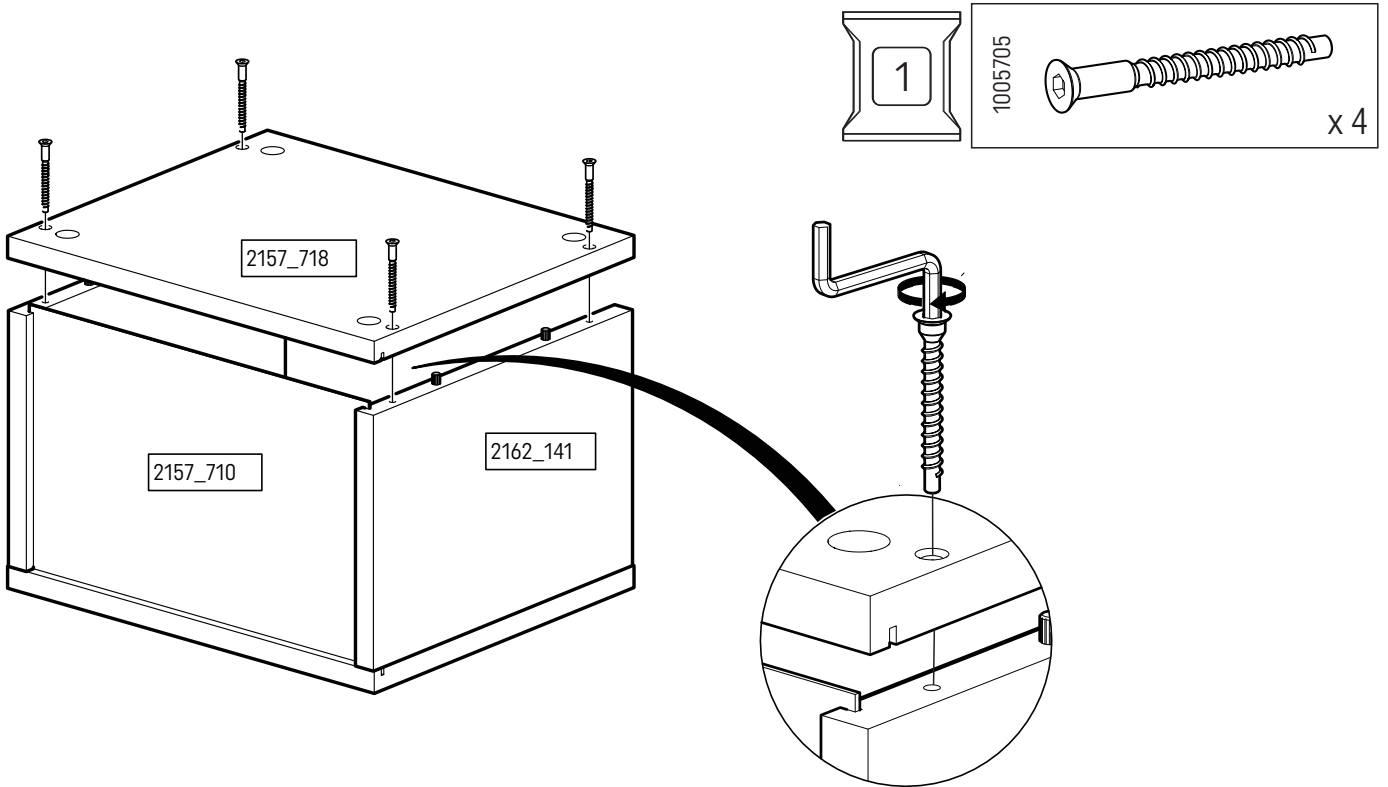


5

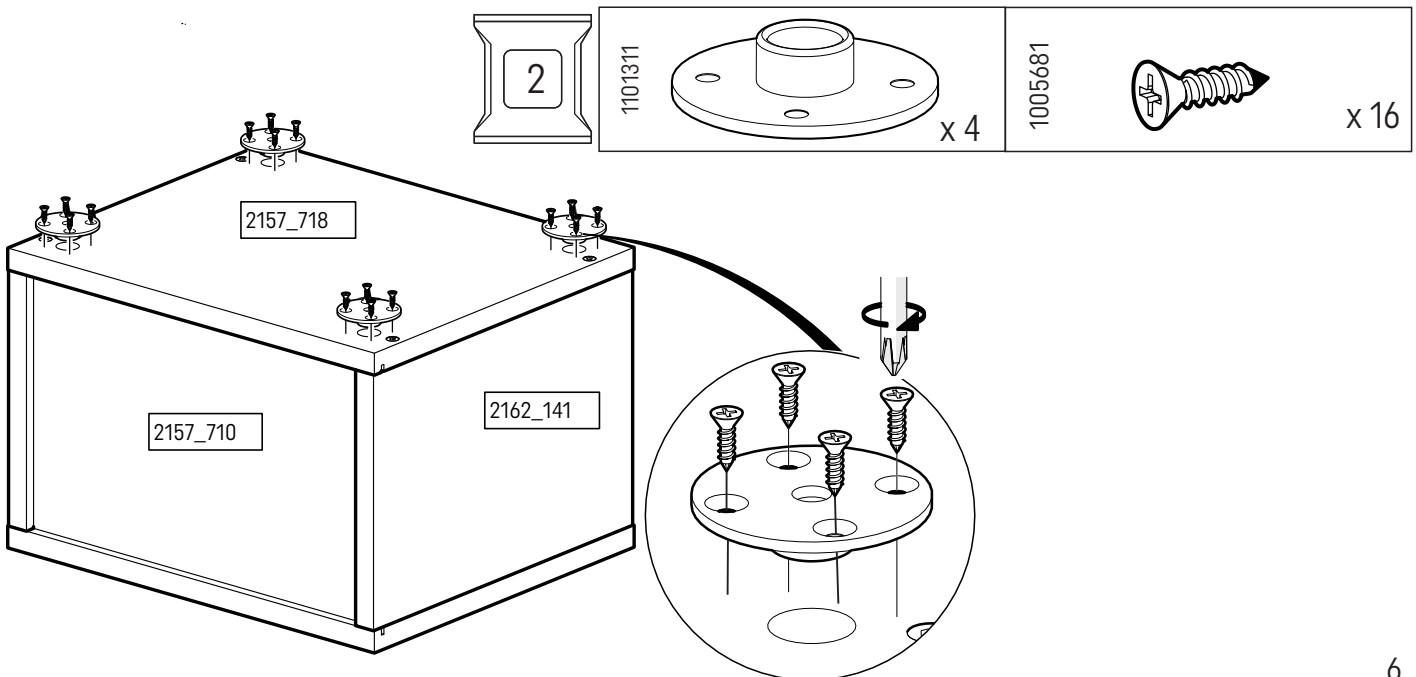
5

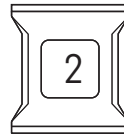


6

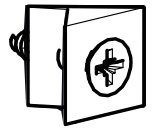


7

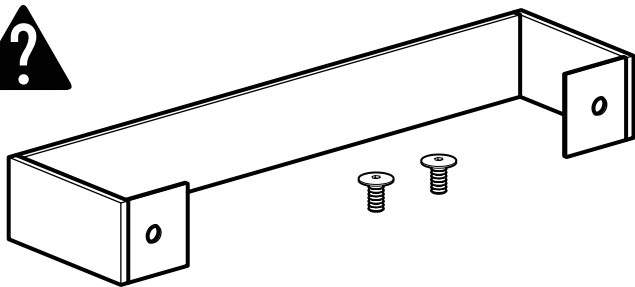
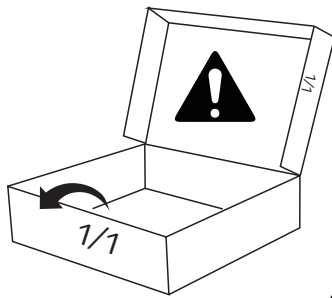
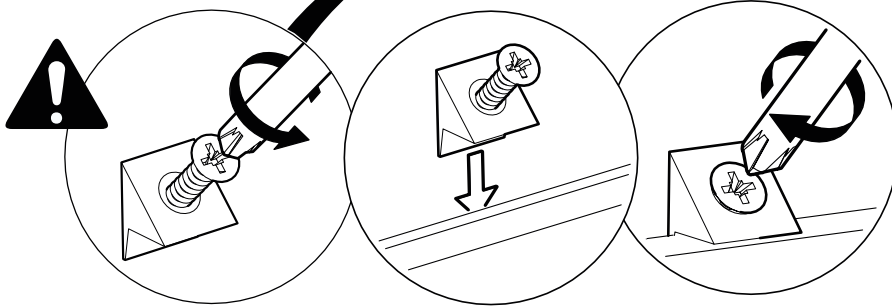
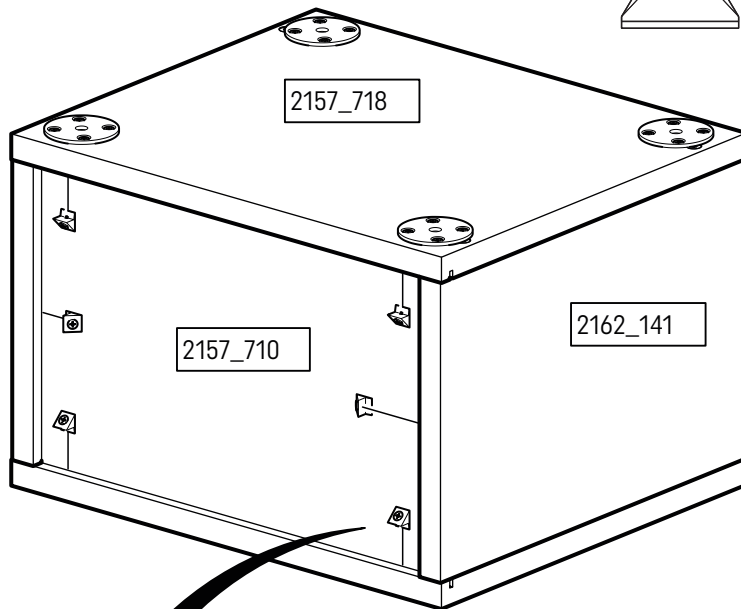




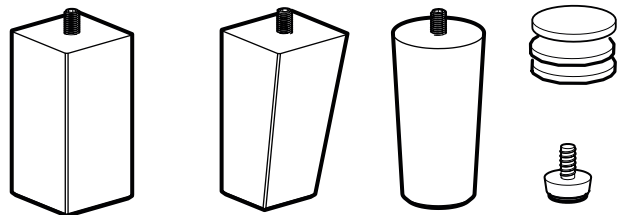
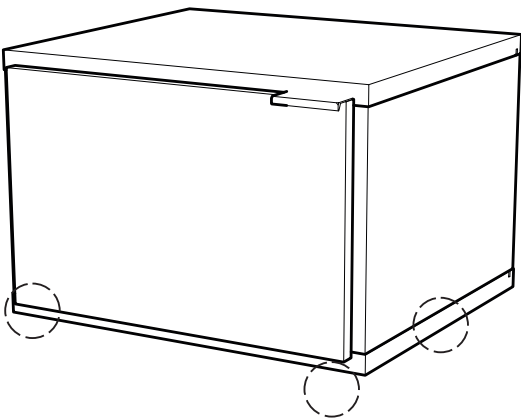
1006022



x 6

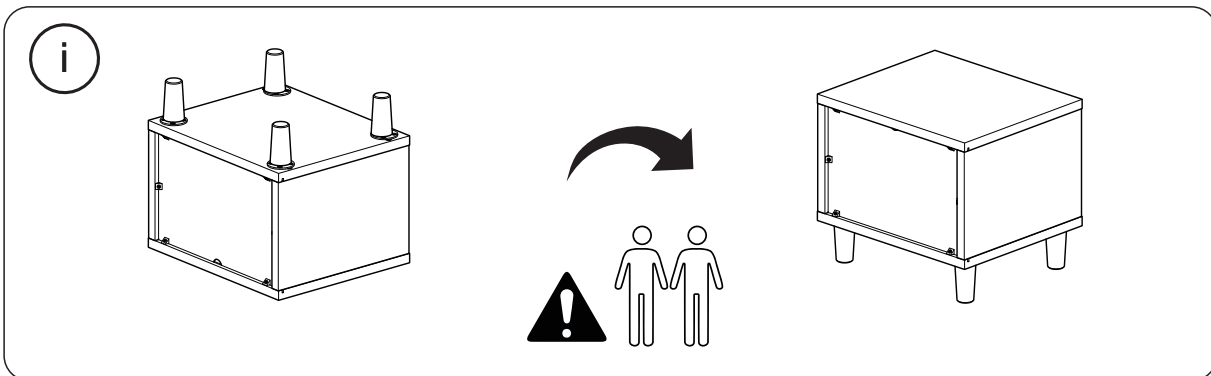
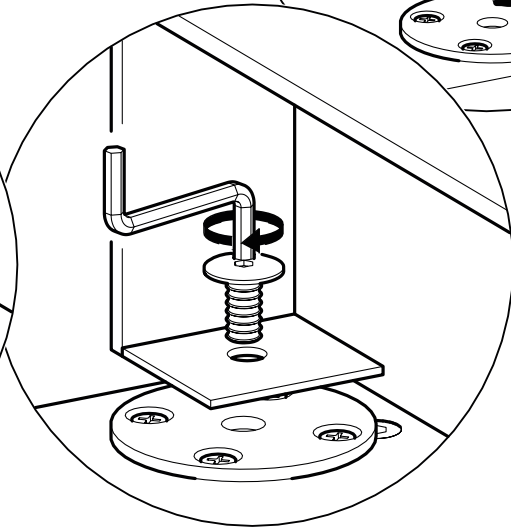
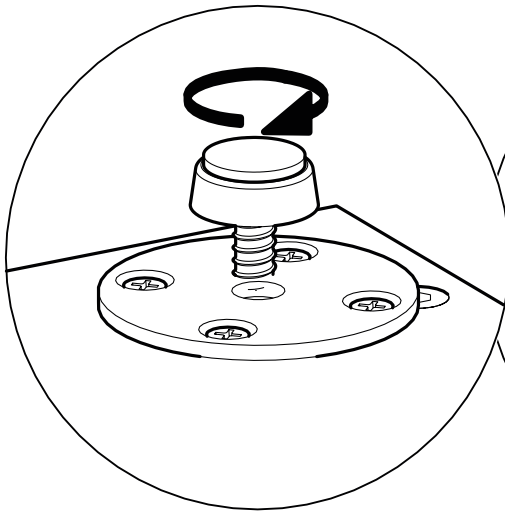
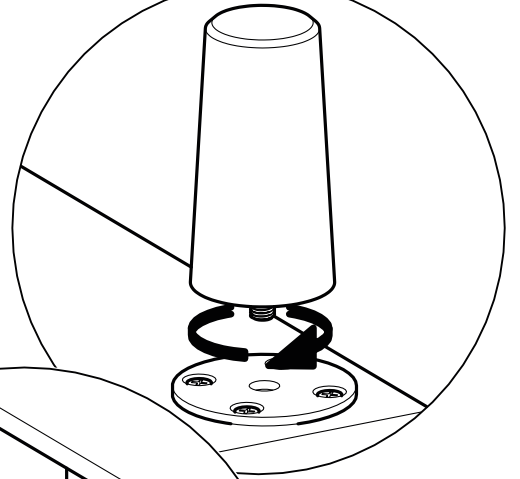
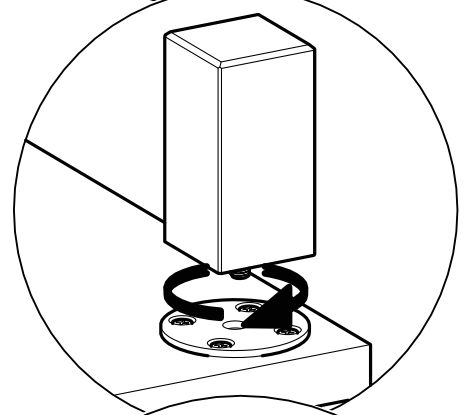
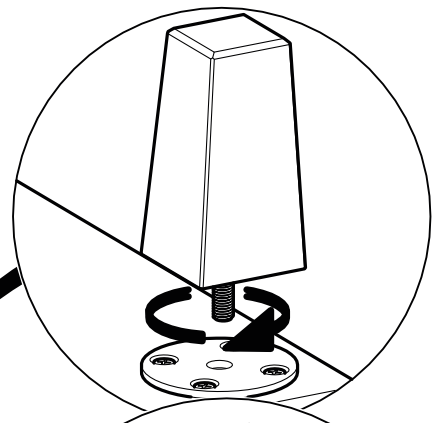
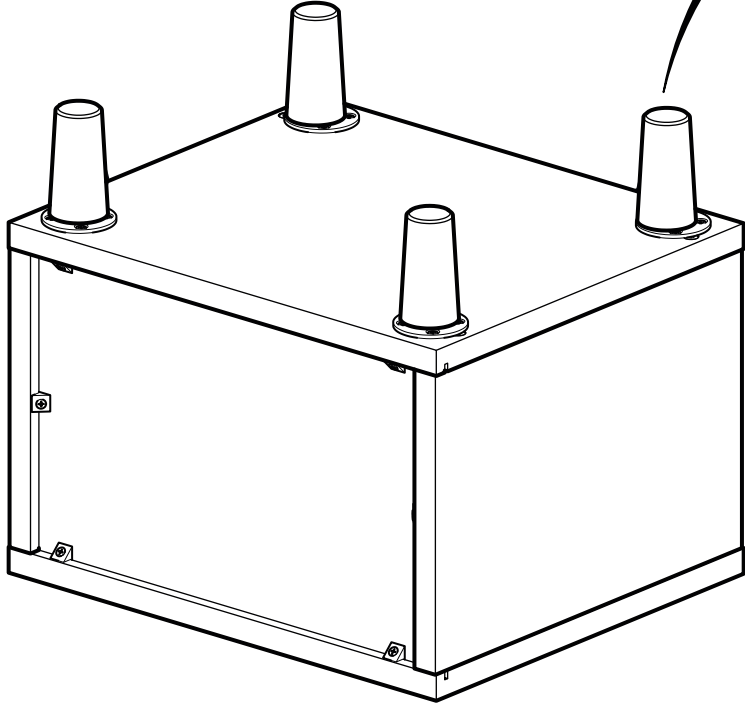
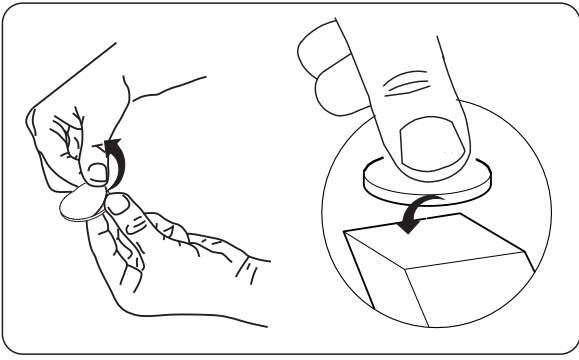


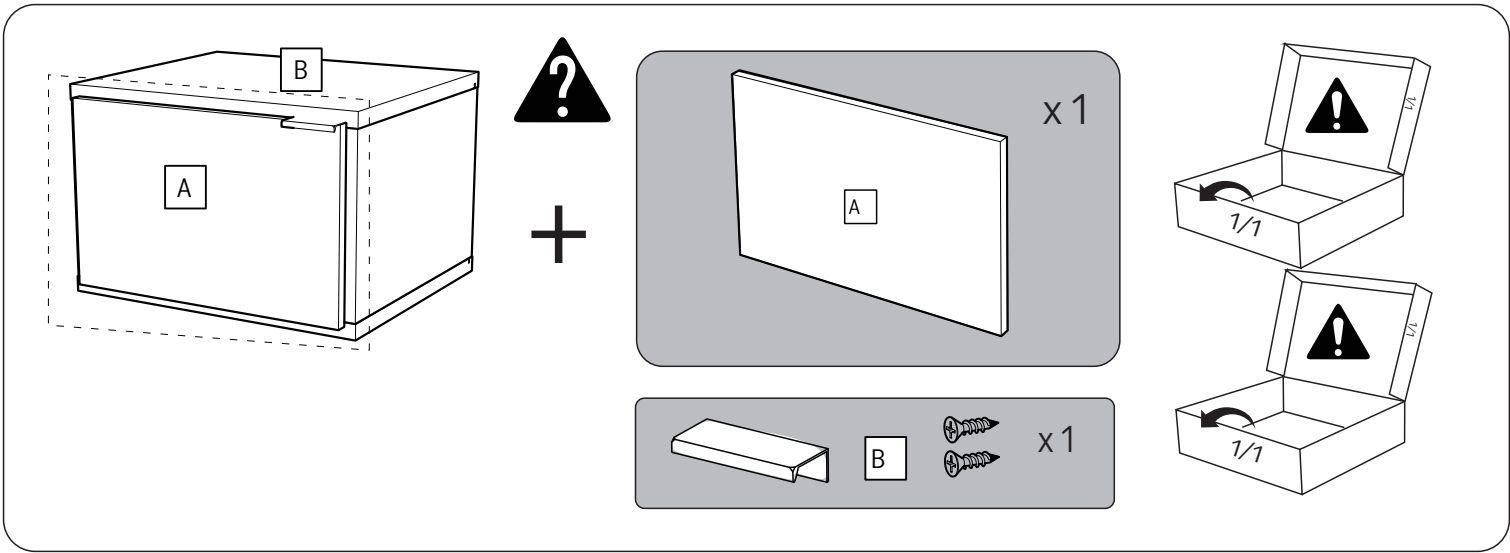
+



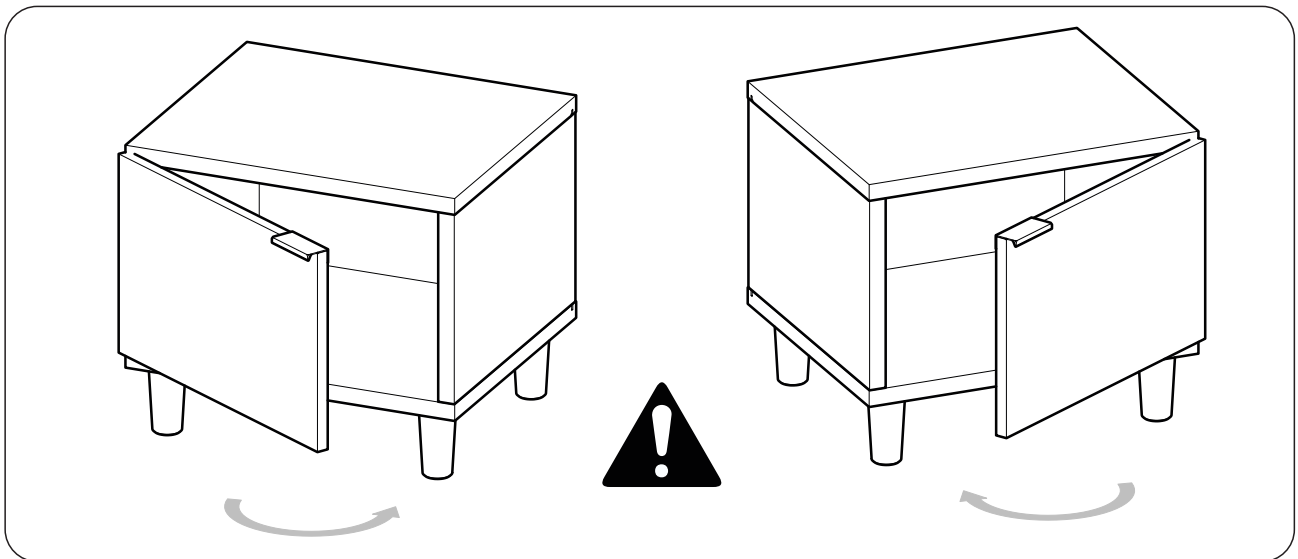
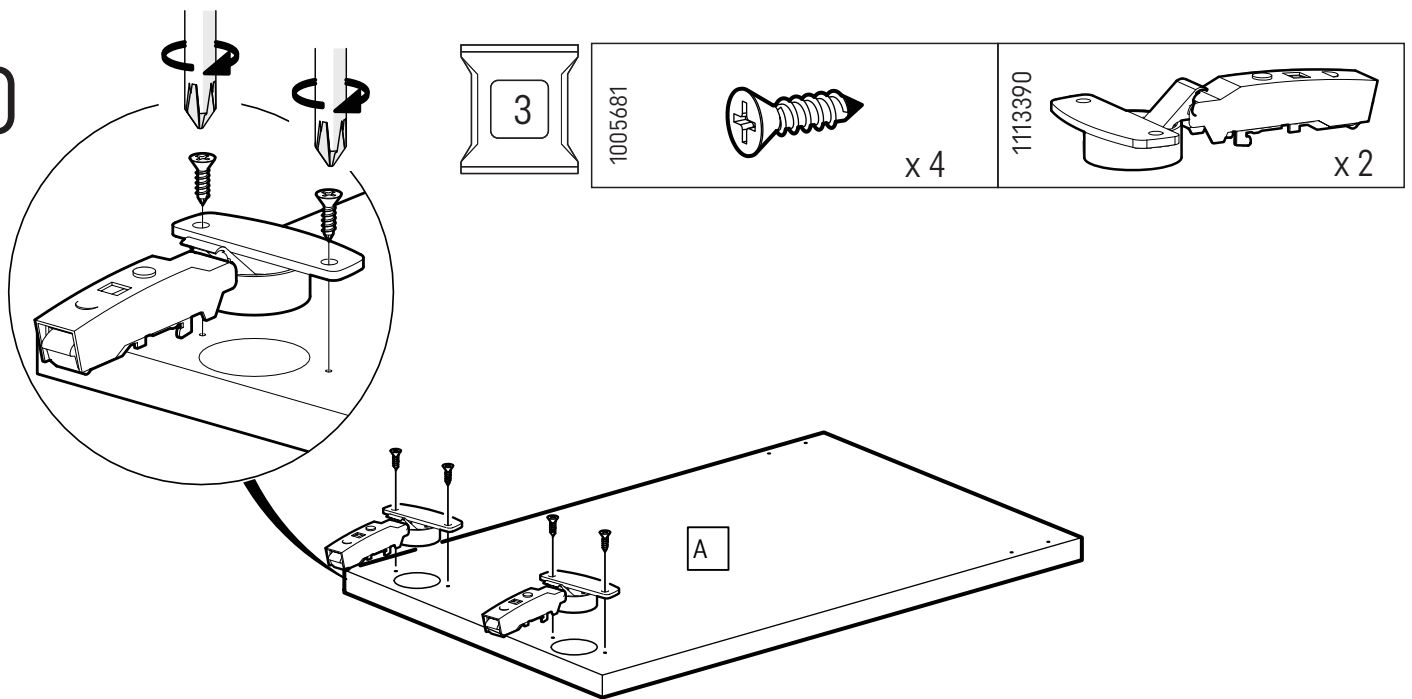


9

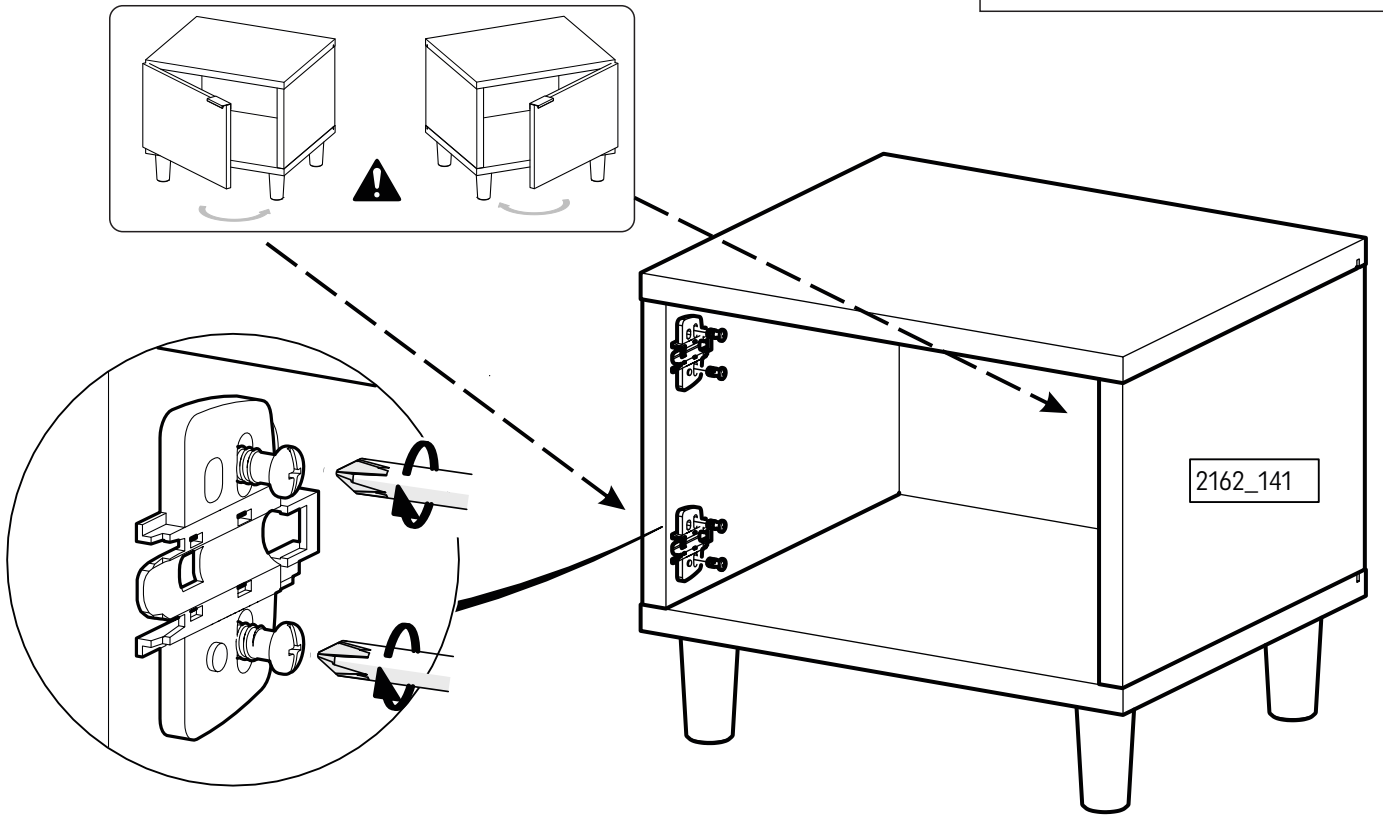
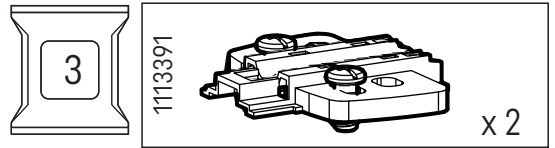




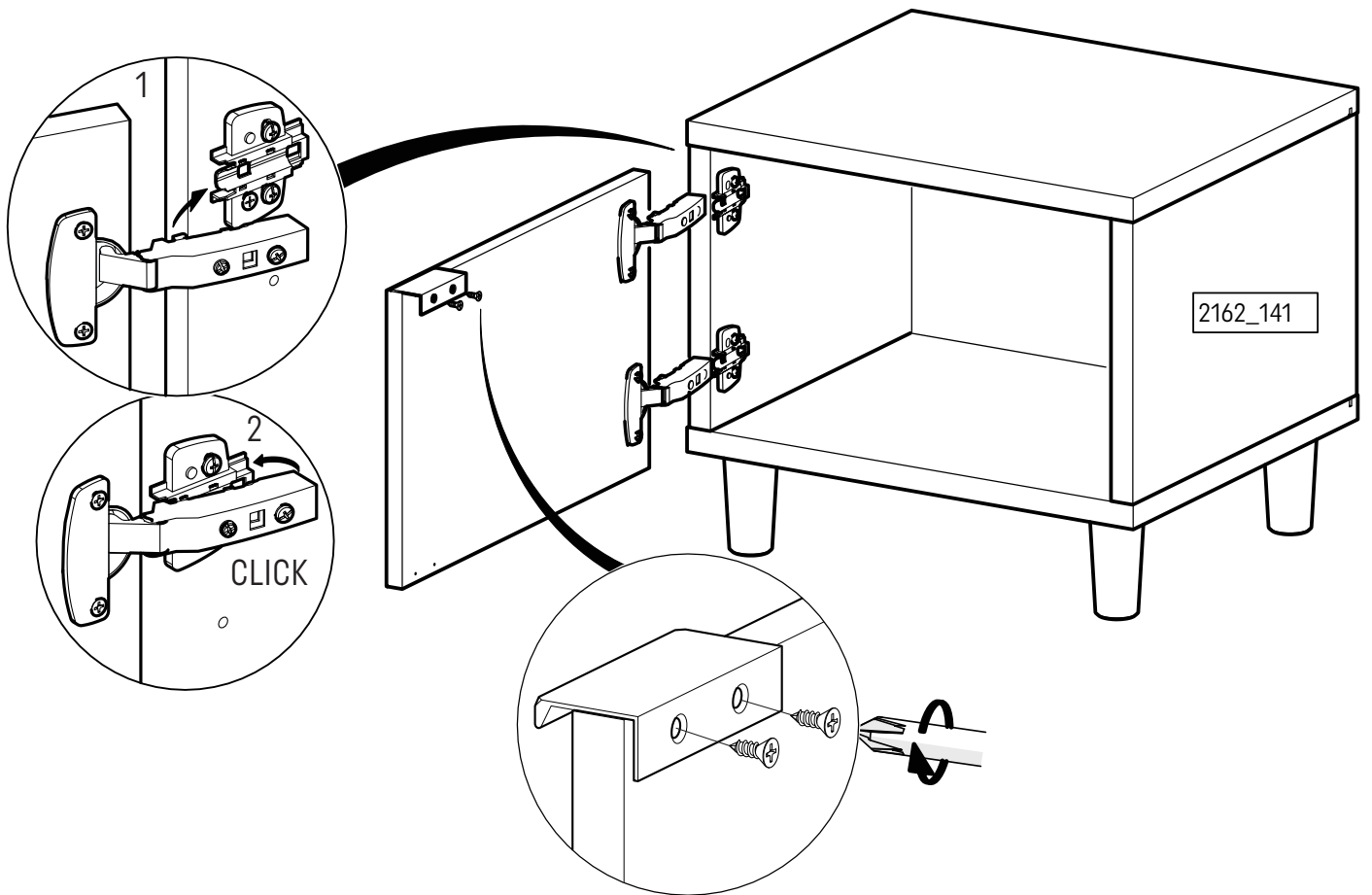
10

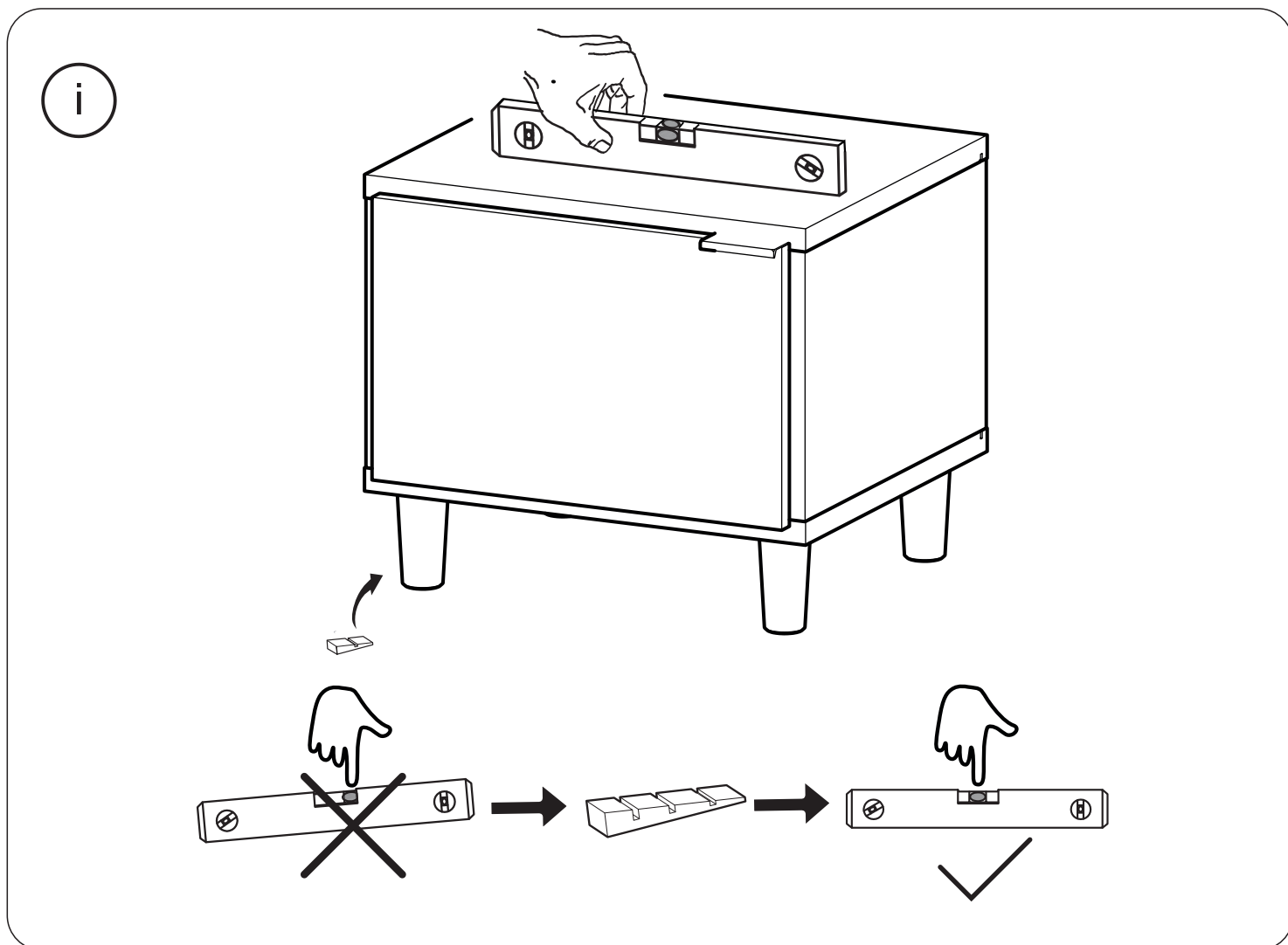
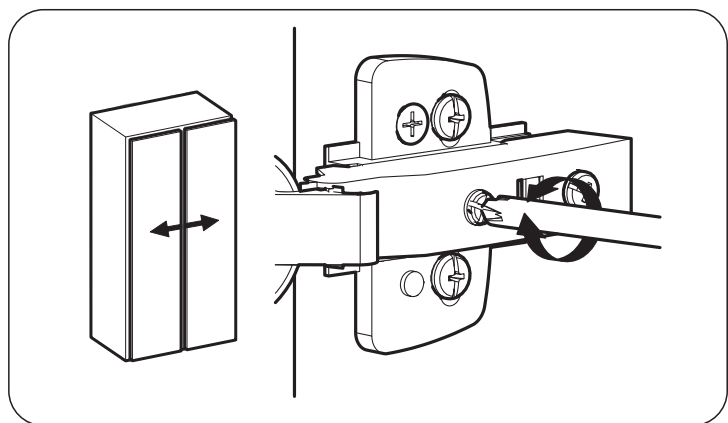
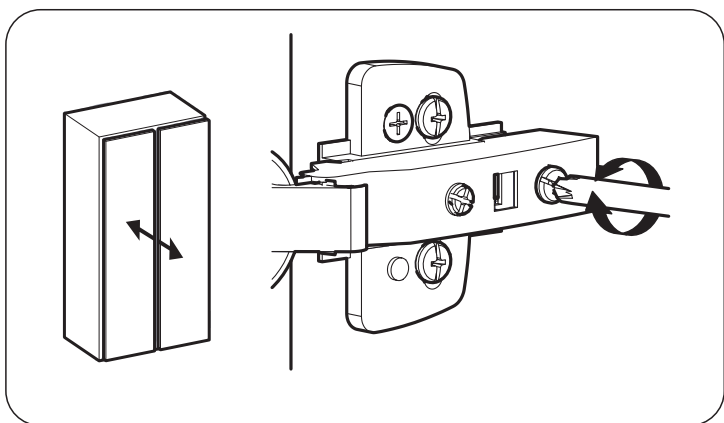
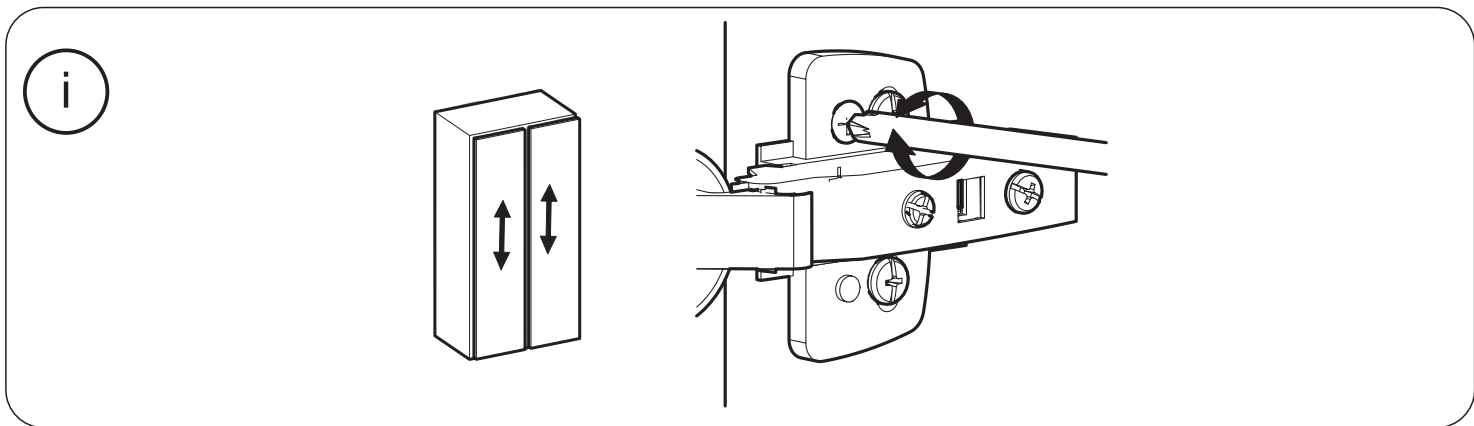


11



12





i

