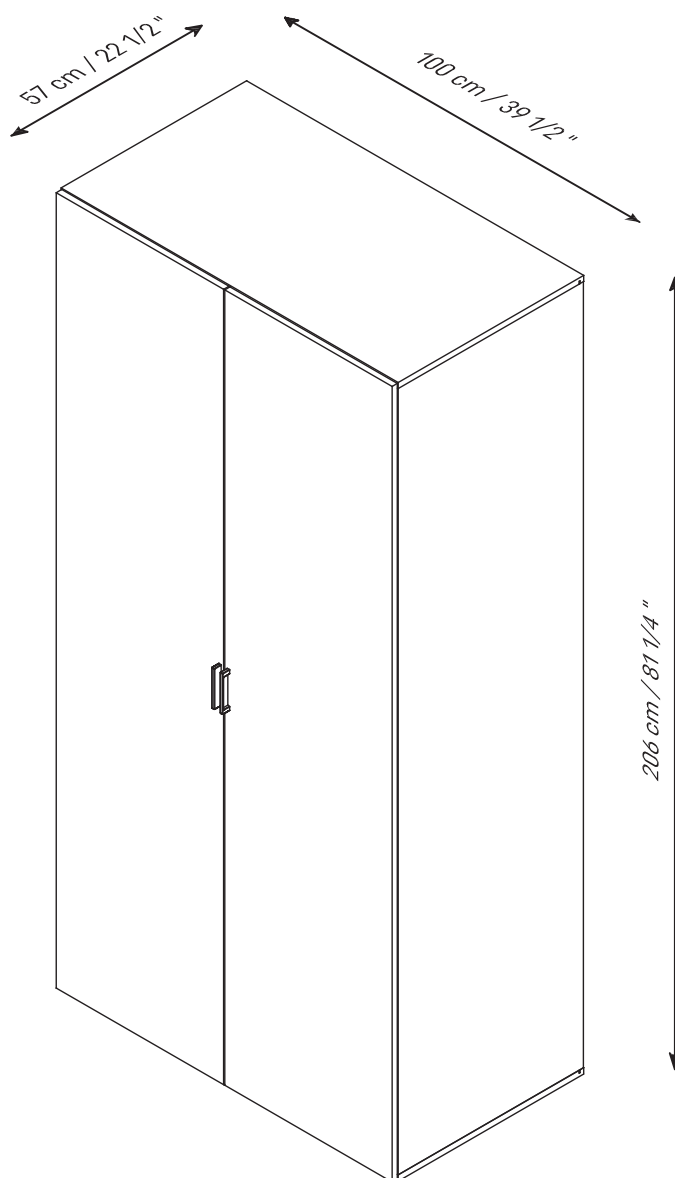


4 YOU

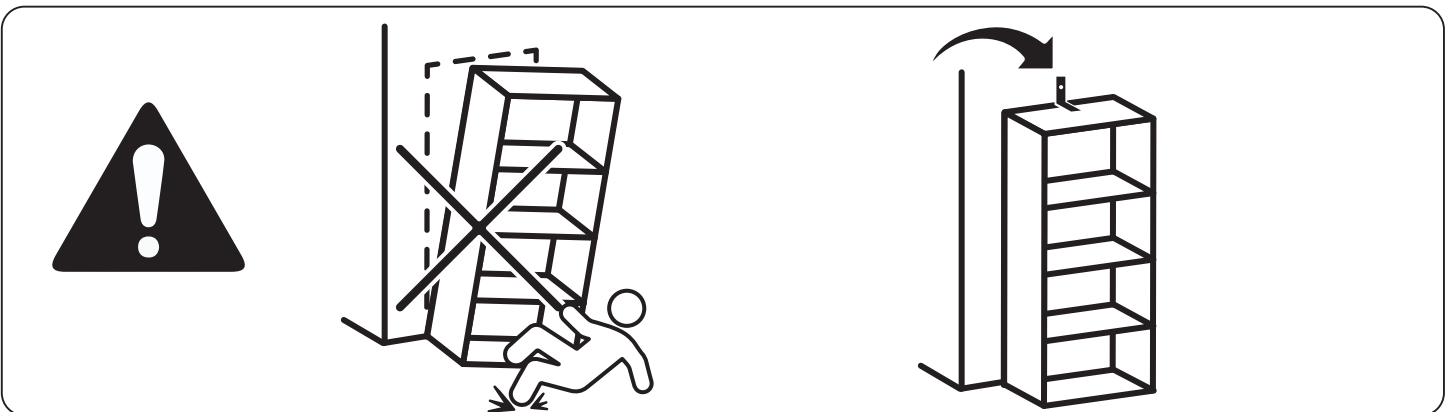
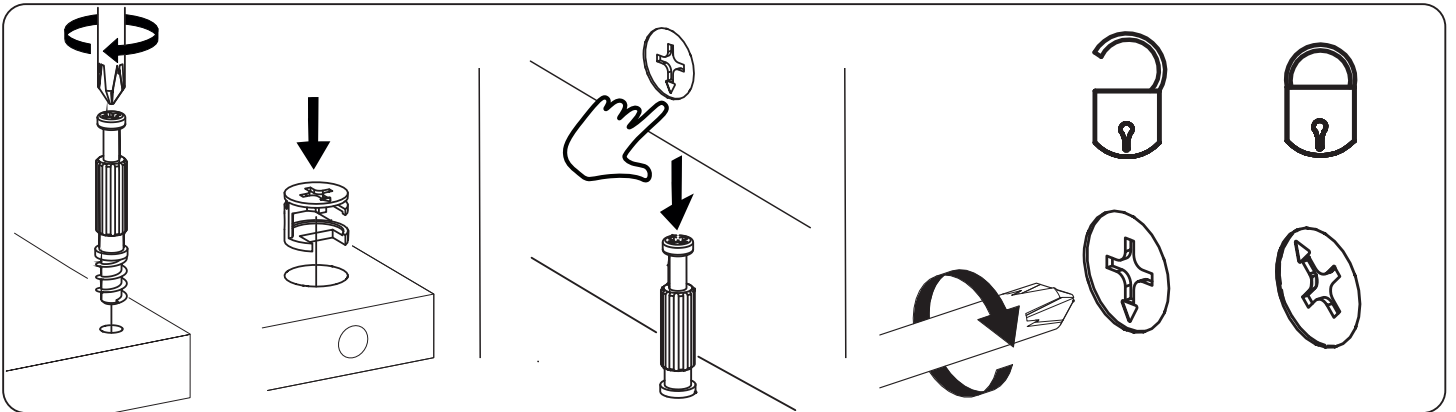
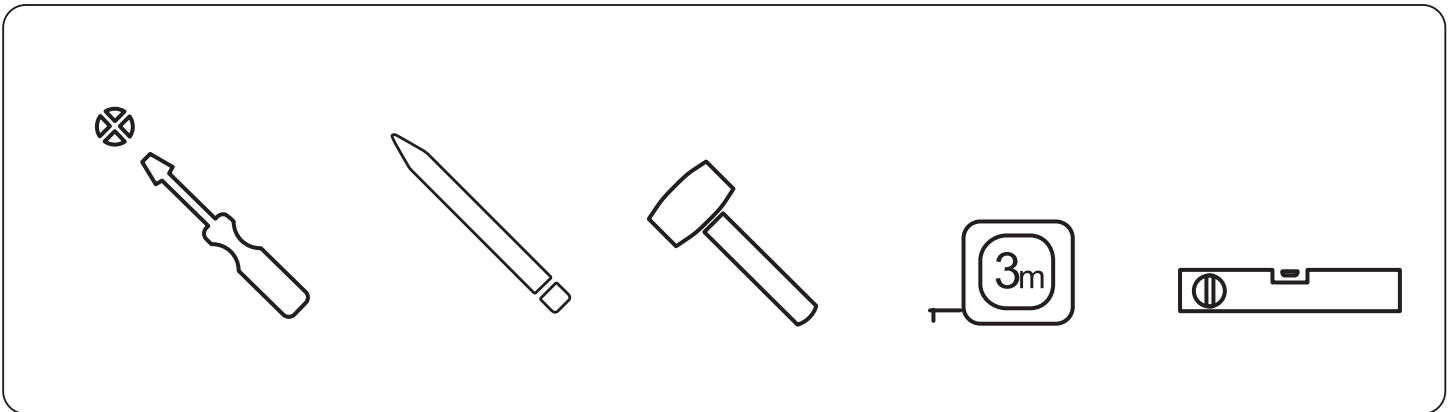
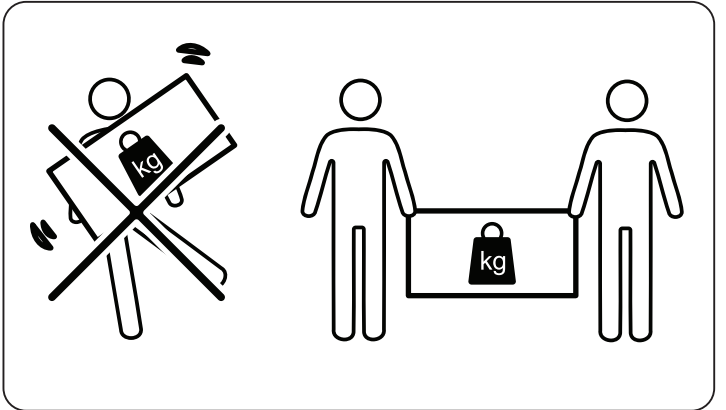
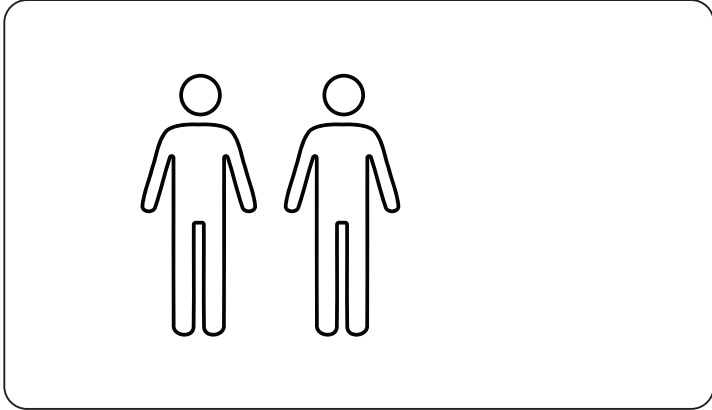
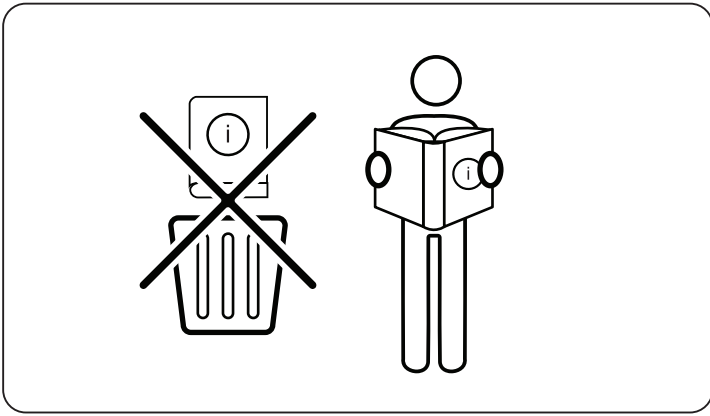
4012456_001

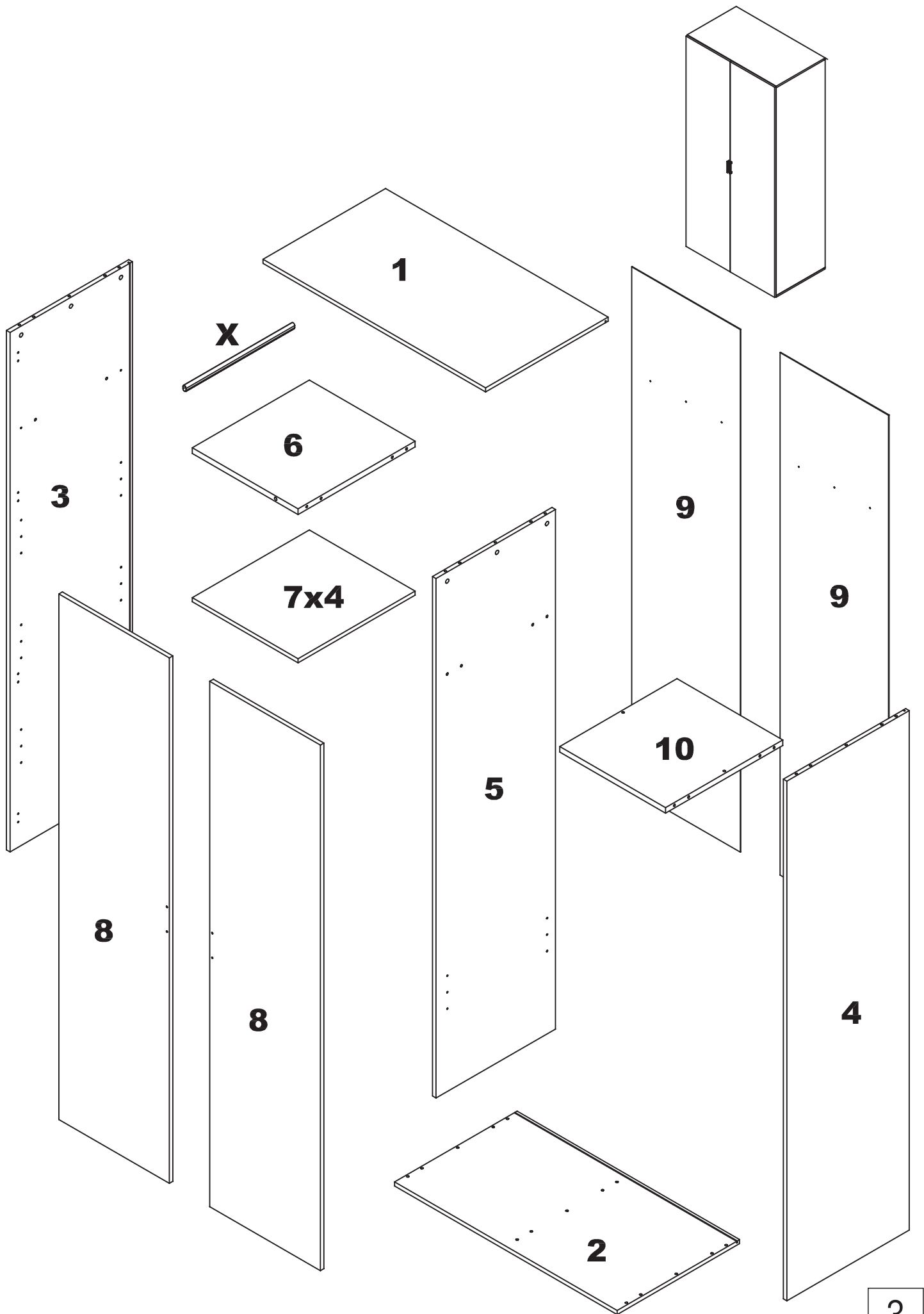
4015273_001




PL • vox.pl
EU • voxfurniture.com
US • voelkelcorp.com


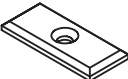


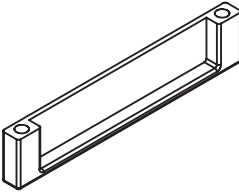

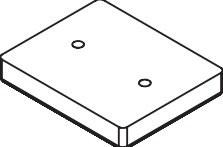



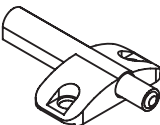

Meble VOX sp. z o.o. sp. k.
ul. Gdyńska 143
62-004 Czerwonak



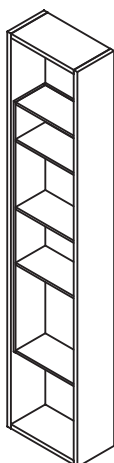


NR. ELEMENTU ITEM NUMER ARTIKELNUMMER ПУНКТ НОМЕР		IND. 4012456 / 4015273	ILOŚĆ QUANTITY ANZAHL HOMEП	WYMIARY [mm] DIMENSIONS [mm] ABMESSUNGEN [mm] РАЗМЕРЫ [mm]		
1	2/4	2123908 / 2153758	1	999	550	16
2	2/4	2122228 / 2153110	1	999	550	16
3	3/4	2123912 / 2153762	1	2018,5	549,5	16
4	3/4	2123914 / 2153764	1	2018,5	549,5	16
5	2/4	2123916 / 2153766	1	2018,5	536,5	16
6	1/4	2122226 / 2153108	1	475	526	22
7	1/4	2123920 / 2153770	4	475	526	16
8	4/4	2123922 / 2153772	2	2042	496	16
9	4/4	2123924 / 2153774	2	2030	487	3
10	1/4	2123926 / 2153776	1	475	526	22
X	1/4	1108166 / 1108166	1	461		

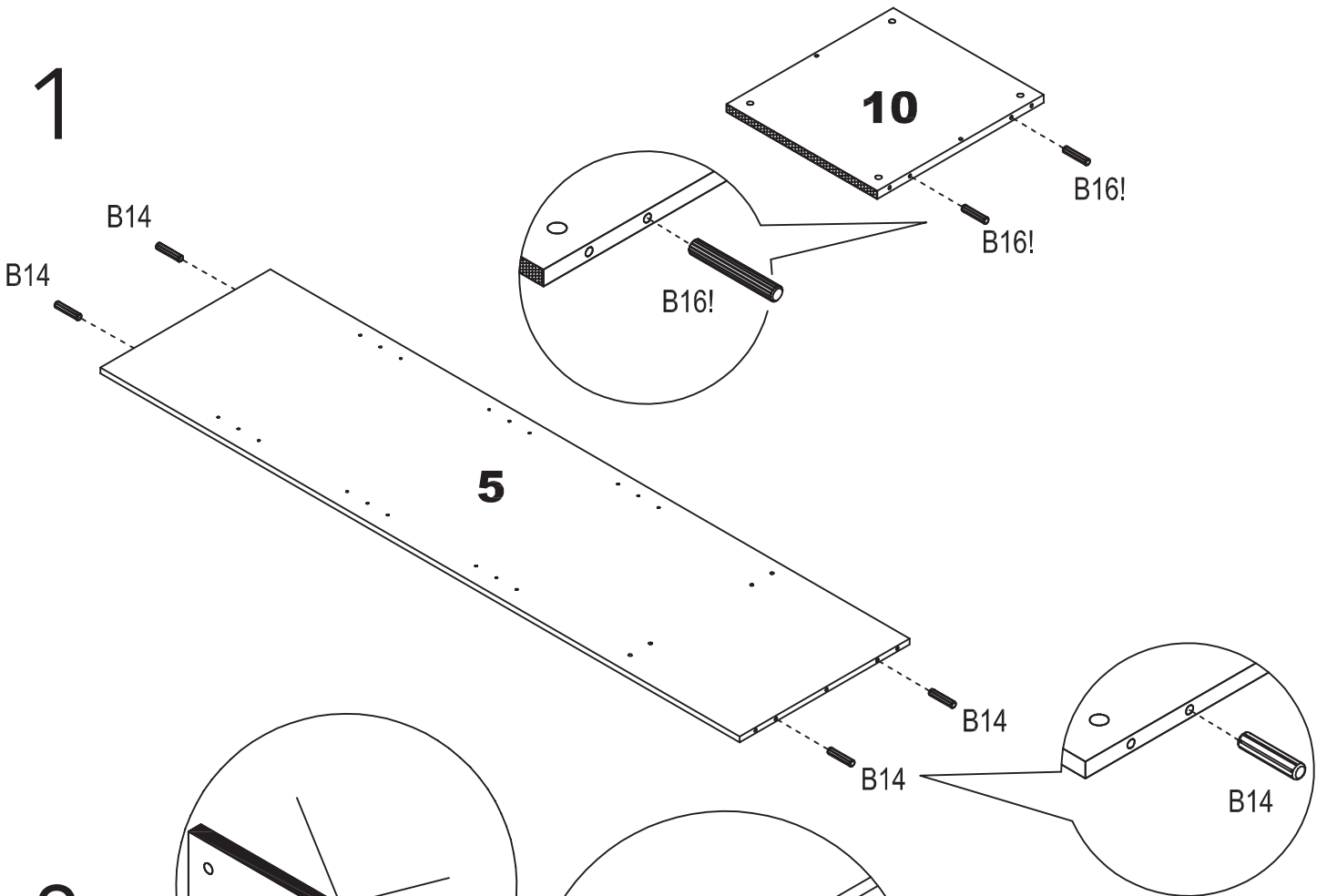
1000806	4 "Z" x 1		1000893	Z50 x 1	
1005857	B14 x 16 (8x35)		1005641	B16 x 2 (8x55)	
1005876	A3 x 9 (7x50)		1006091	C16 x 13	
1005495	C18 x 2		1005990	D3 x 9 (15x15)	
1005735	D4 x 8 (15x22)		1004785	G21 x 8	
1000197	F45 x 8		1004490	I84 x 8	

1005681	R48 x 20 (4x16)		1000242	I11 x 13	
1006012	R21 x 19 (3x16)		1006022	I36 x 20	
1101282 1113482	U5 x 2		1005590	R50 x 4 (4x20)	
1100642 1113468	S x 5		1005599	R22 x 10 (4x20)	
1000225	U2 x 2		1001262	S24 x 16	
1101321 1000171	Z20 x 2		1110778	U1 x 2	

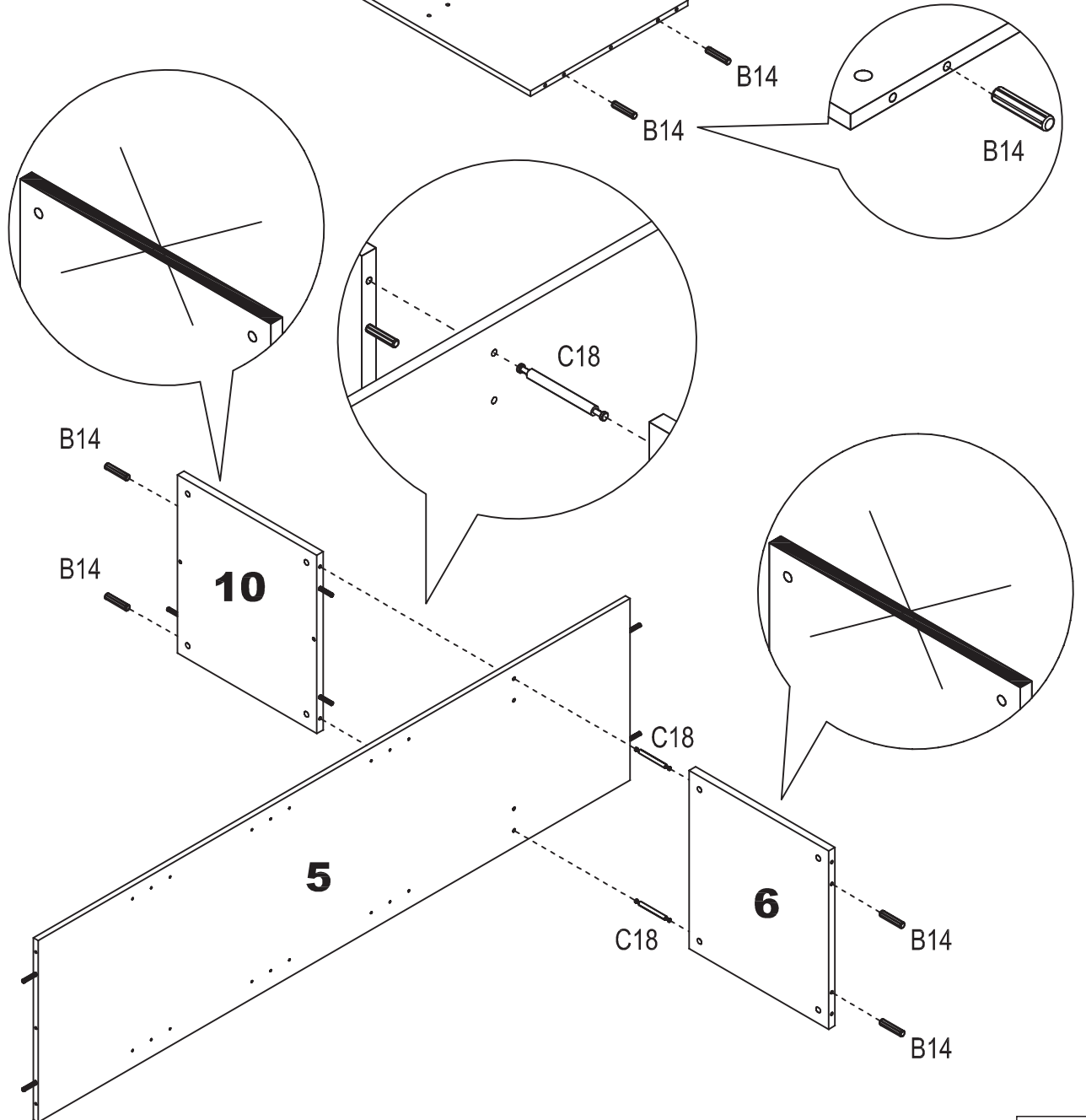
Elementy do dokupienia / Zusätzlich bestellen
Additional elements in sale / Элементы для докупки



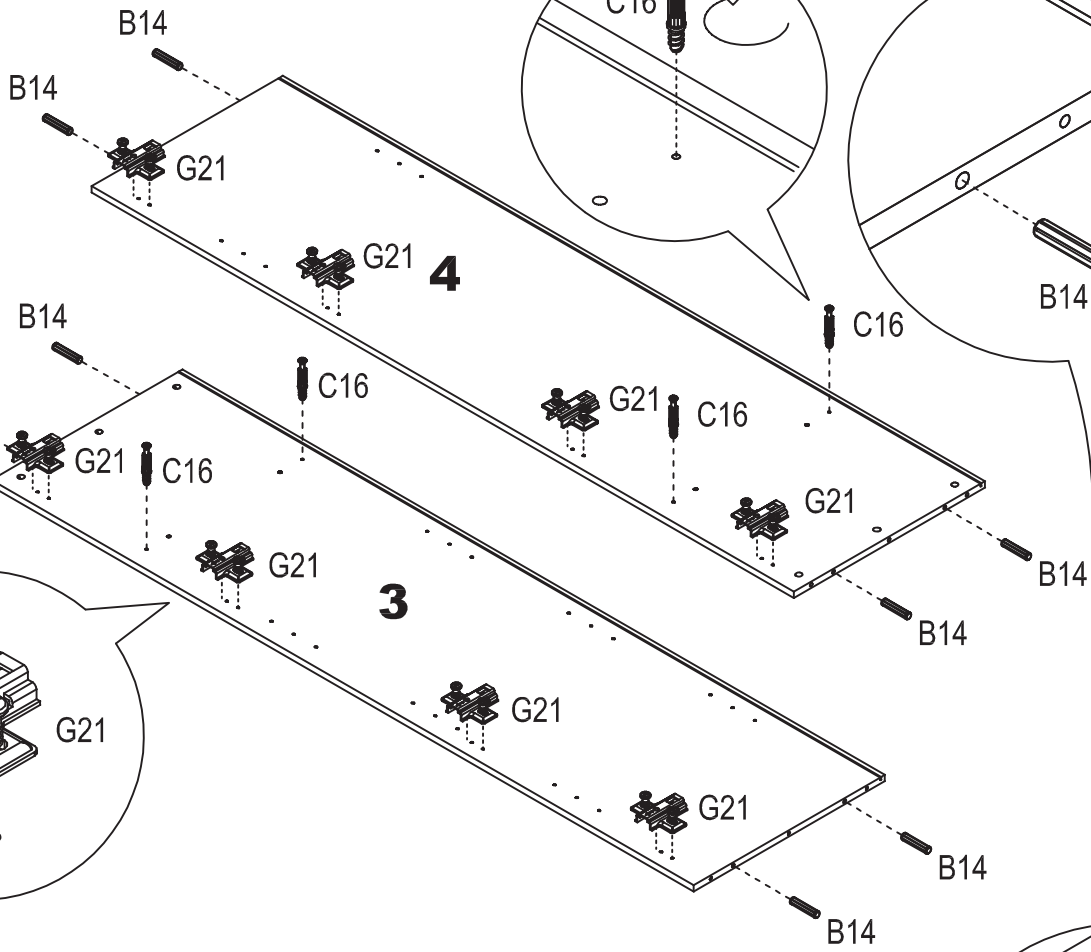
1



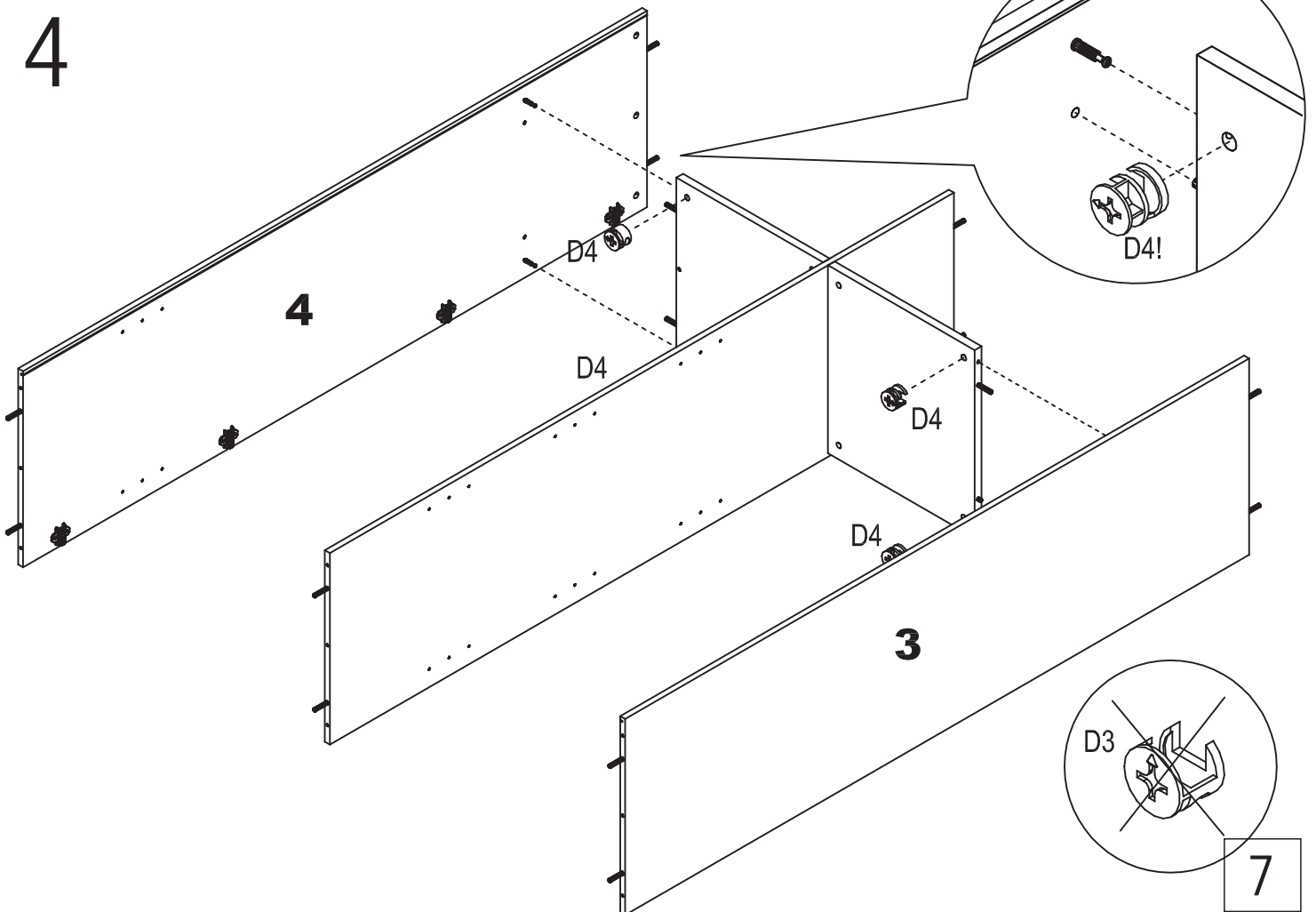
2



3

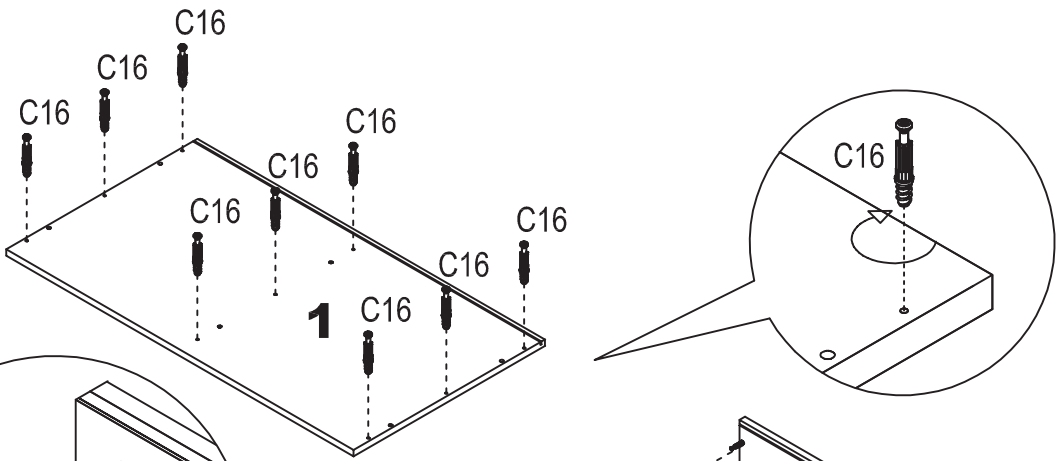


4

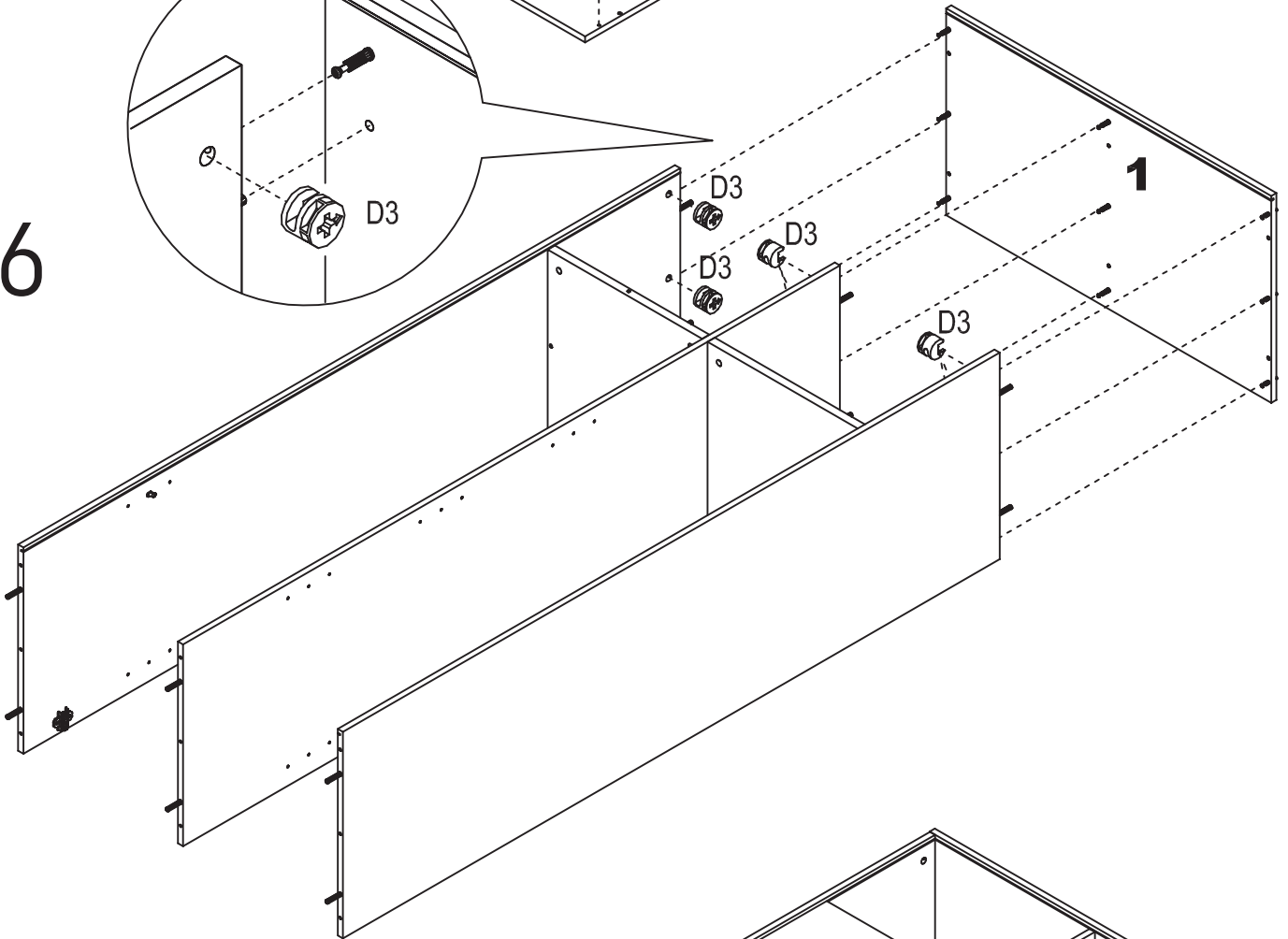


7

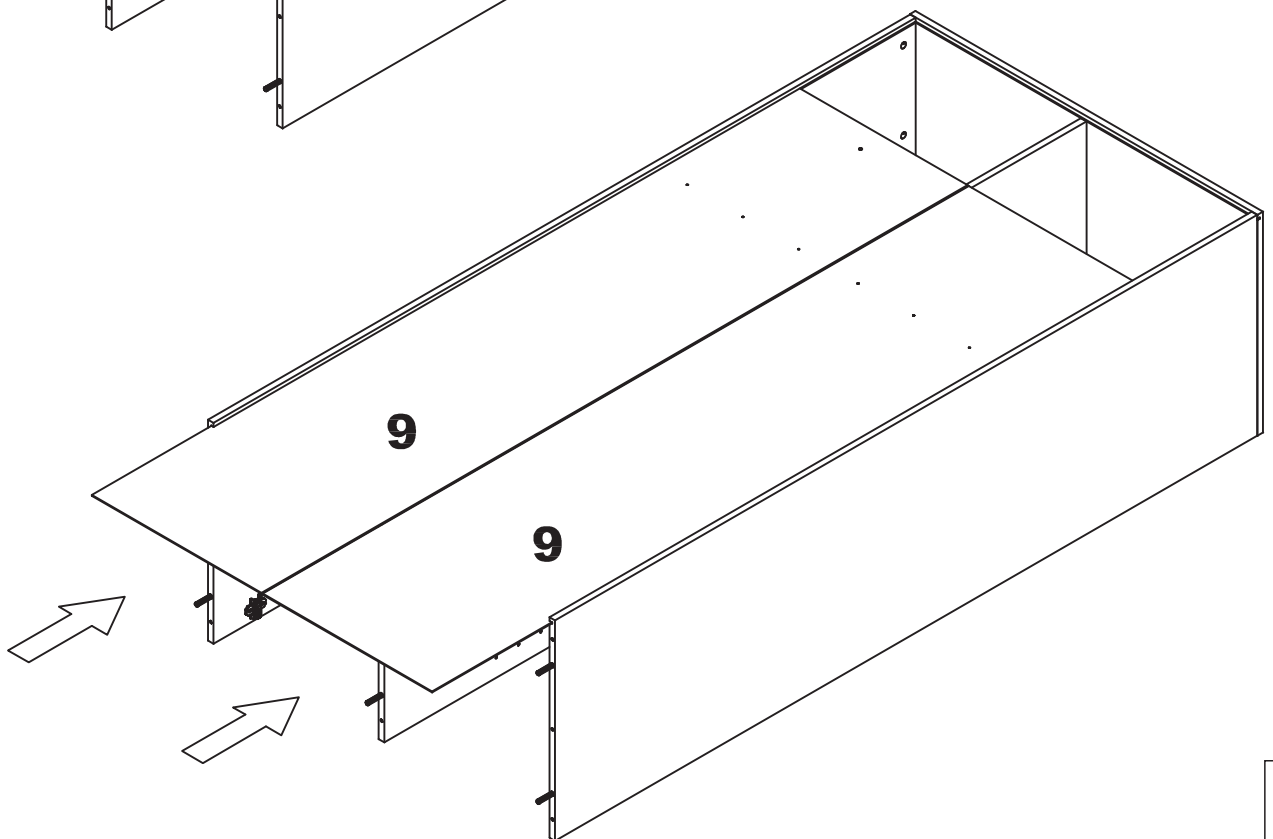
5



6

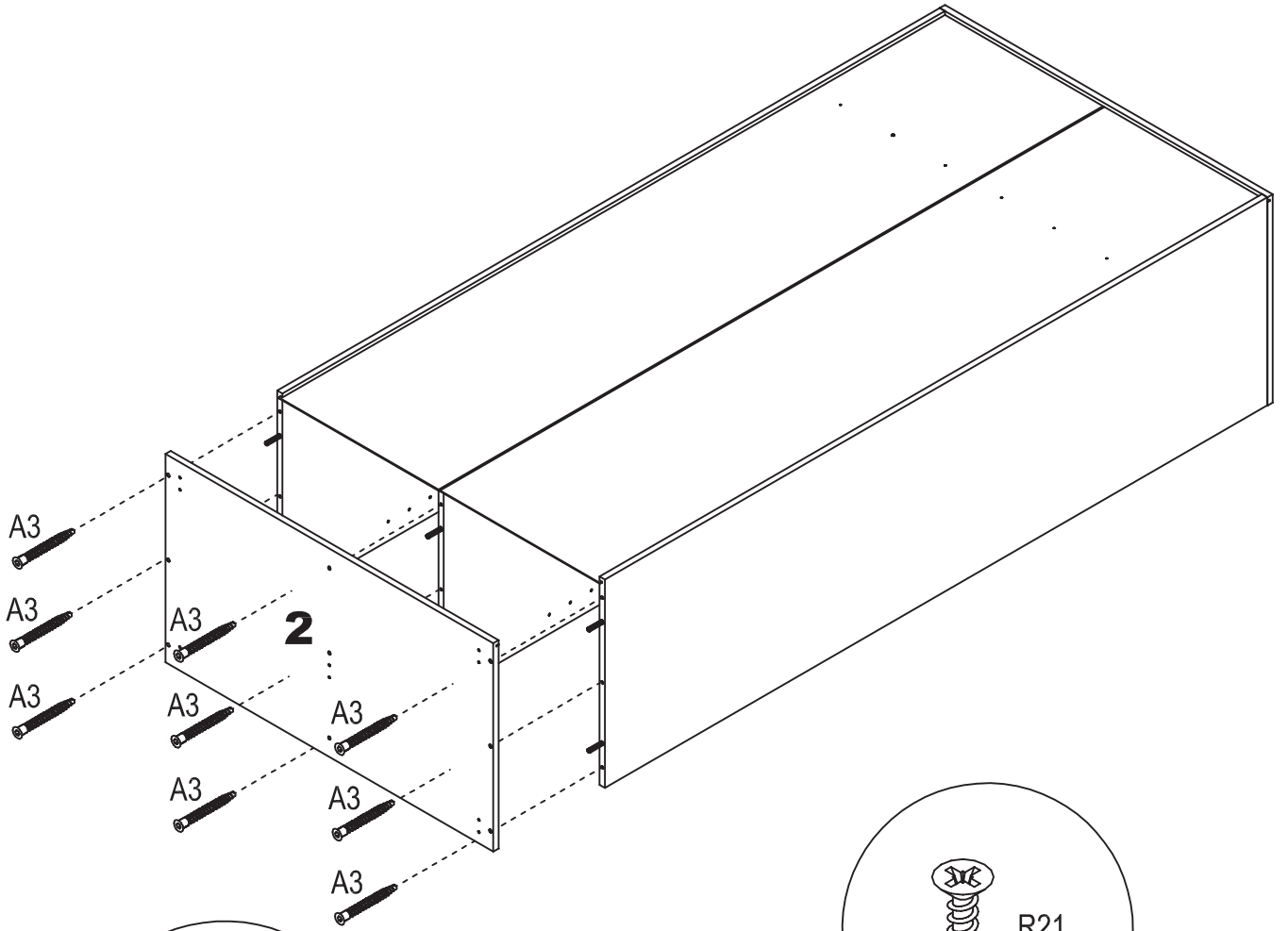


7

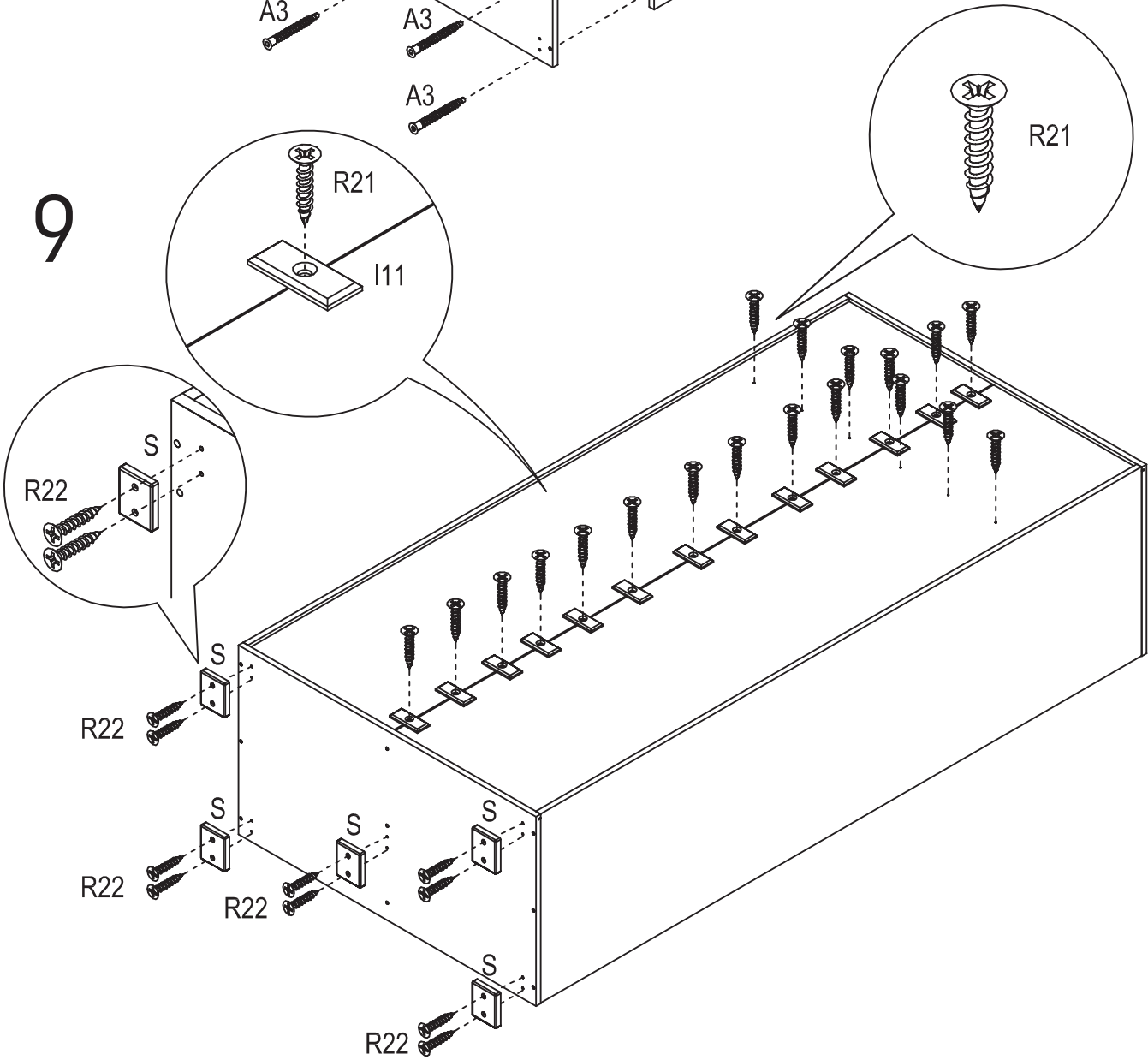


8

8

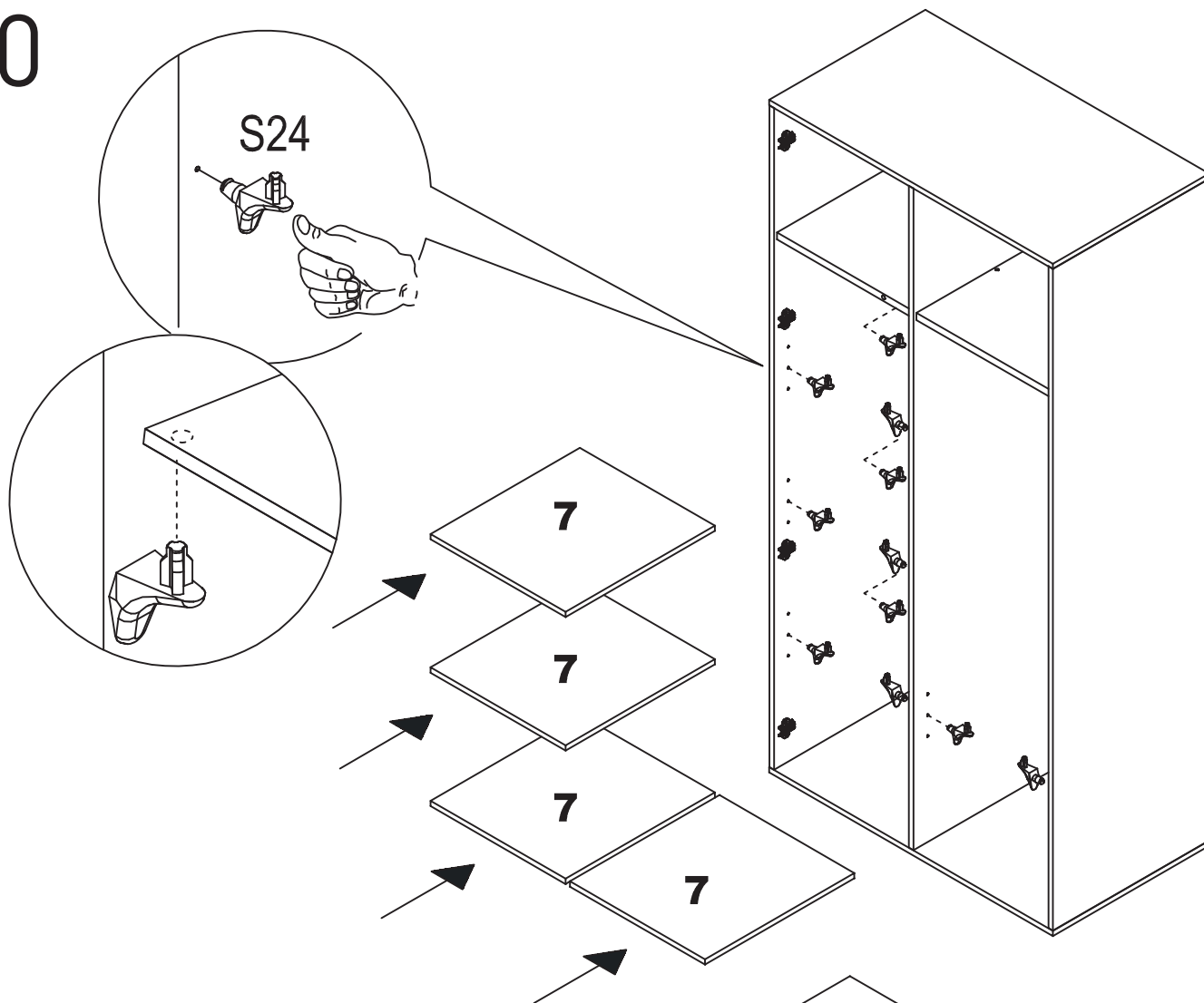


9

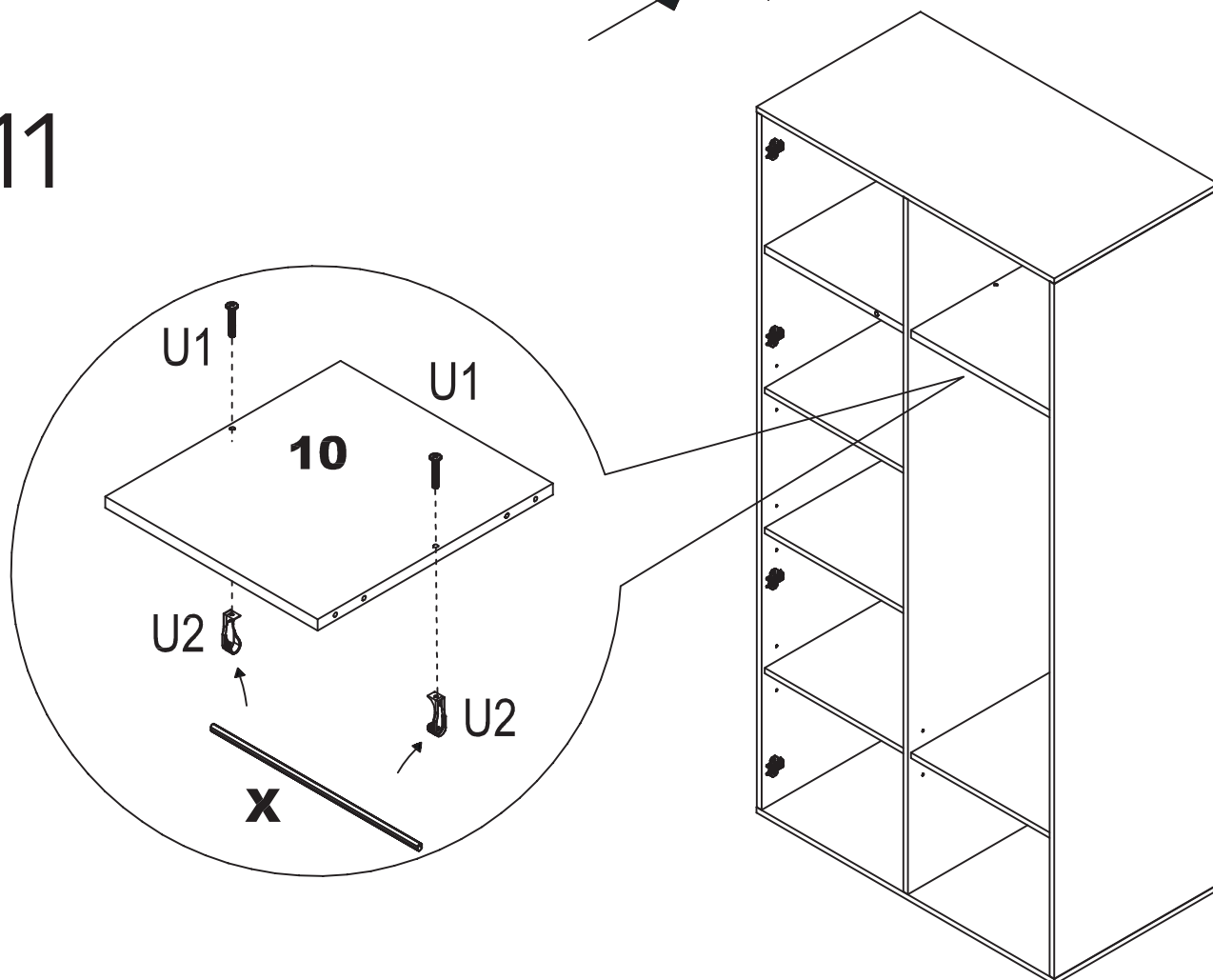


9

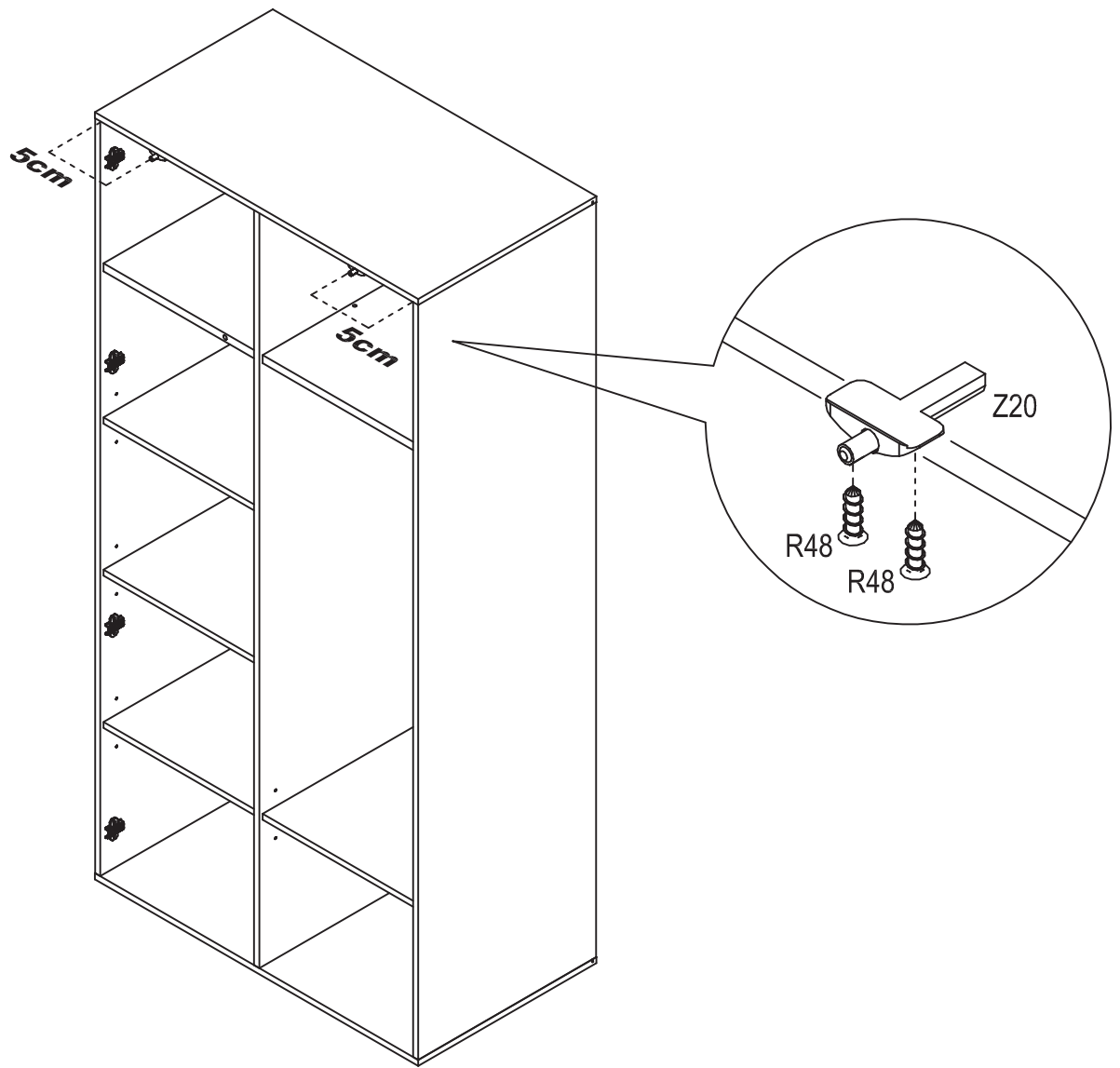
10



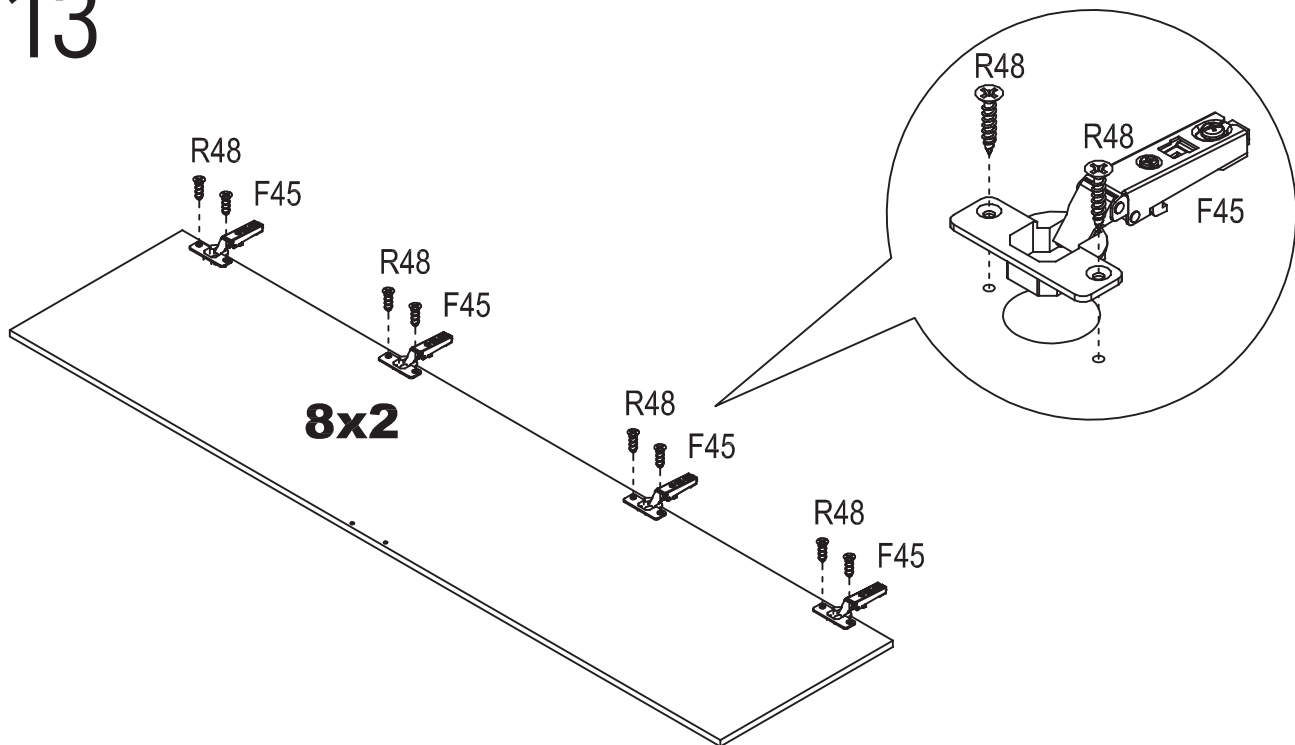
11

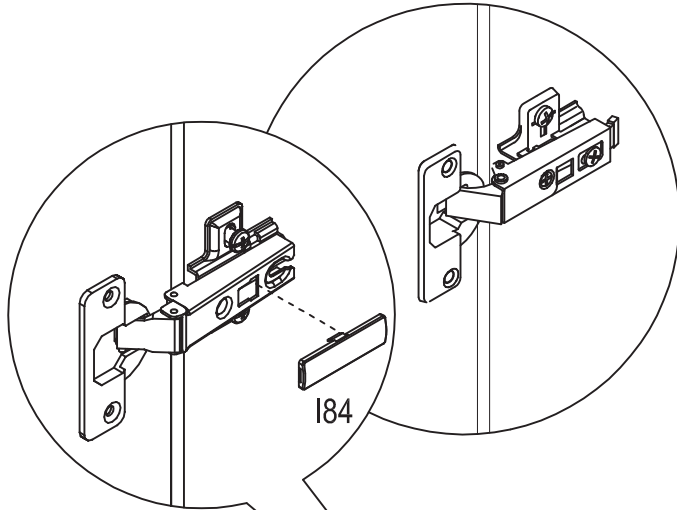


12



13

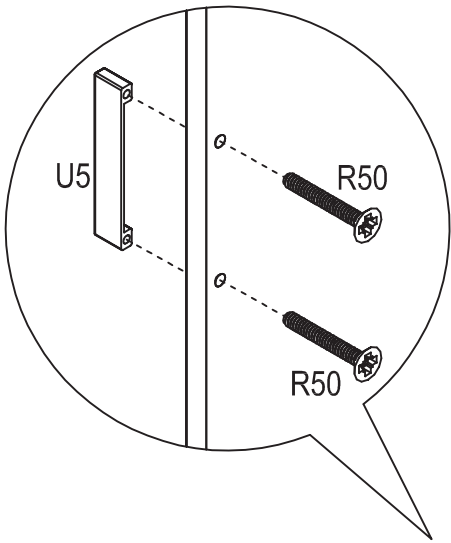




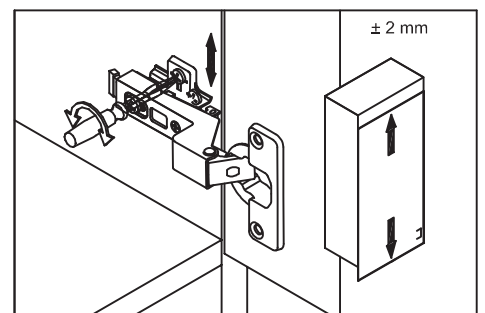
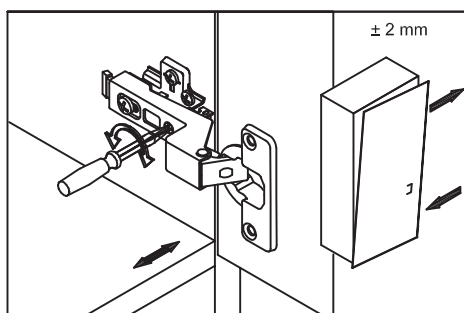
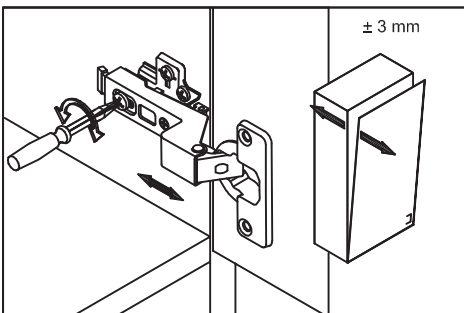
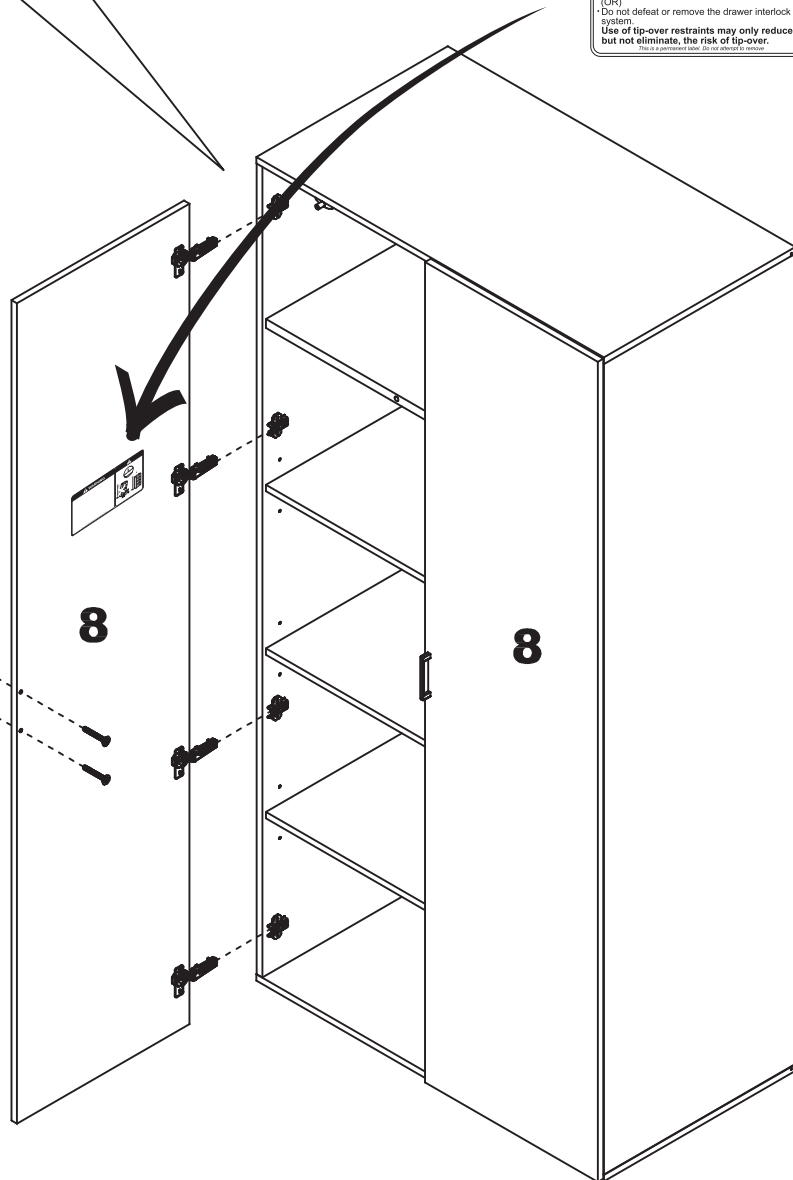
WARNING
 Serious or fatal crushing injuries can occur from furniture tip-over. To help prevent tip-over:

- Install tipover restraint provided.
- Place heaviest items in the lower drawers.
- Unless specifically designed to accommodate, do not set TVs or other heavy objects on top of this product.
- Never allow children to climb or hang on drawers, doors or shelves.
- Never open more than one drawer at a time.
- Do not defeat or remove the drawer interlock system.

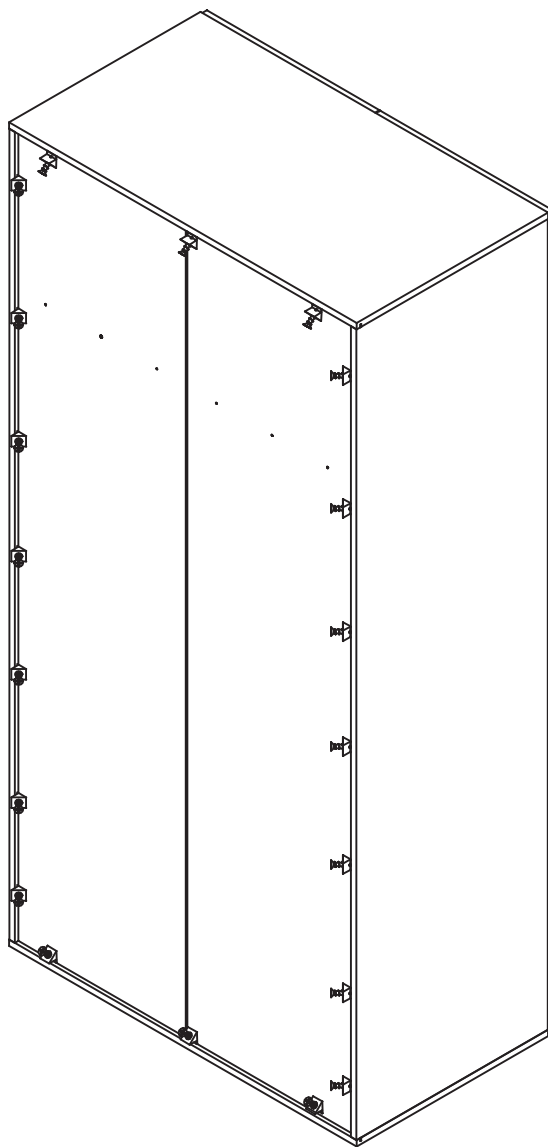
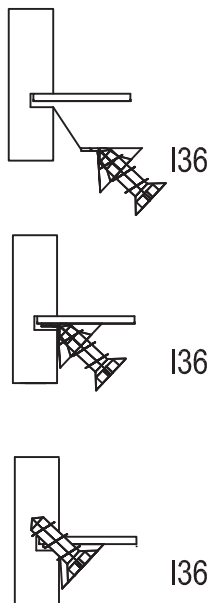
Use of tip-over restraints may only reduce, but not eliminate, the risk of tip-over.
This is a permanent label. Do not attempt to remove.



U5



15



16

