



Husqvarna®

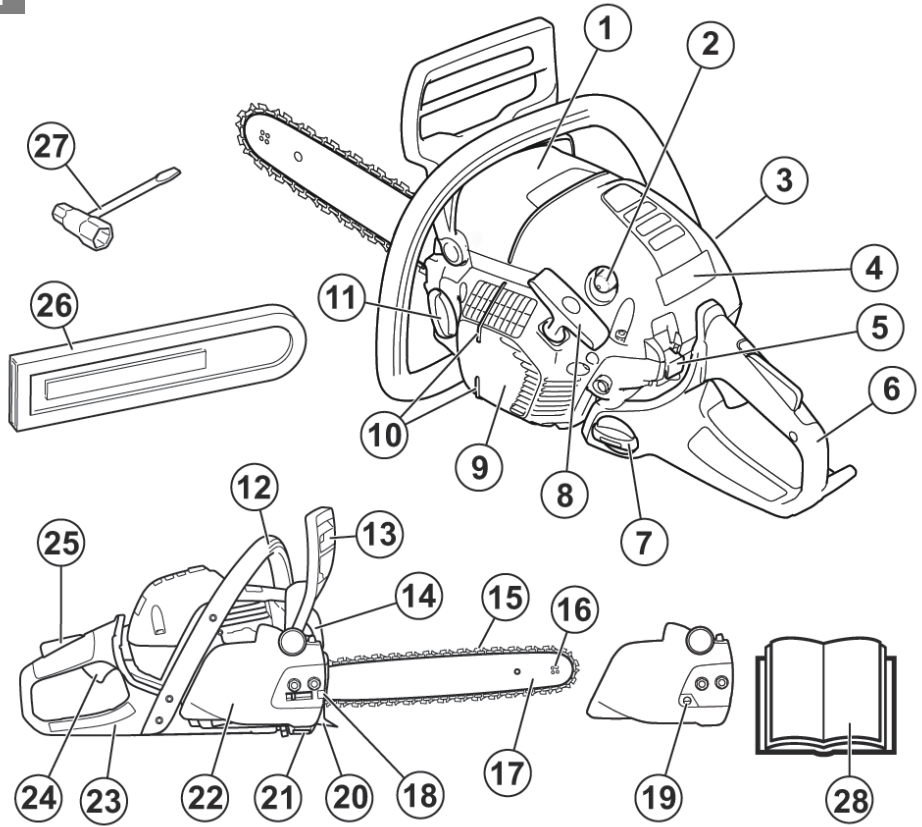


130, 135 Mark II



EN	Operator's manual	11-23
DE	Bedienungsanweisung	24-38
FR	Manuel d'utilisation	39-53
ES	Manual de usuario	54-68
IT	Manuale dell'operatore	69-83
NL	Gebruiksaanwijzing	84-98
SV	Bruksanvisning	99-111
NO	Bruksanvisning	112-125
DA	Brugsanvisning	126-139
FI	Käyttöohje	140-152
PT	Manual do utilizador	153-167
EL	Οδηγίες χρήσης	168-183
CS	Návod k použití	184-197
HR	Priručnik za korištenje	198-210
SL	Navodila za uporabo	211-223
PL	Instrukcja obsługi	224-238
SK	Návod na obsluhu	239-252
HU	Használati utasítás	253-266
RU	Руководство по эксплуатации	267-282
ET	Kasutusjuhend	283-295
LT	Operatoriaus vadovas	296-309
LV	Lietošanas pamācība	310-323
BG	Ръководство за експлоатация	324-339
RO	Instrucțiuni de utilizare	340-354
TR	Kullanım kılavuzu	355-367
UK	Посібник користувача	368-382
SR	Priručnik za rukovaoca	383-396
BS	Korisnički priručnik	397-410
ES-MX	Manual del usuario	411-425
PT-BR	Manual do operador	426-440
JA	取扱説明書	441-454

H13038HV



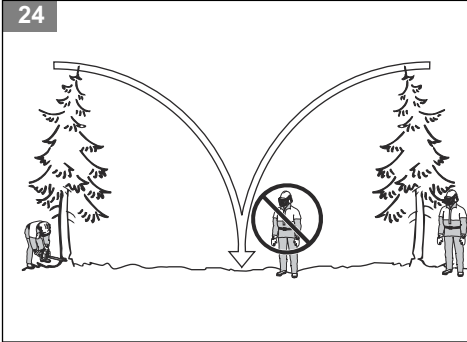
2		3		4		5		6		7	
8		9		10		11		12		13	
14		15		16		17		18		19	
20		21		22							

23

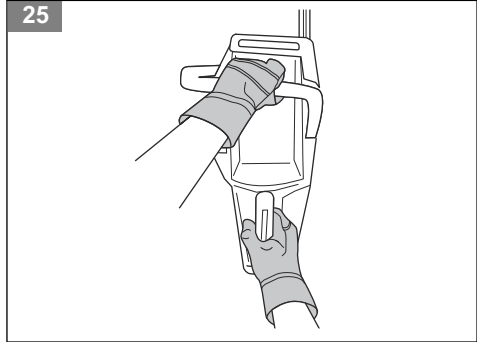
⚠ WARNING

The engine exhaust from this product contains chemicals known to the State of California to cause cancer, birth defects or other reproductive harm.

24



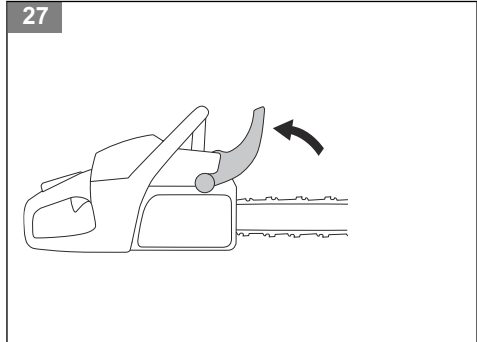
25



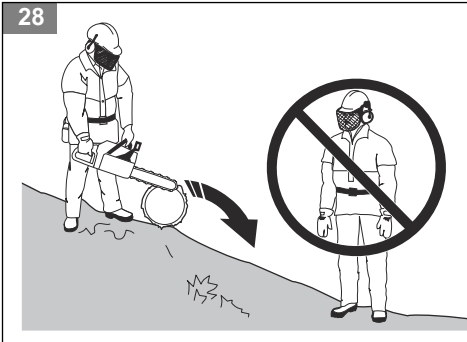
26



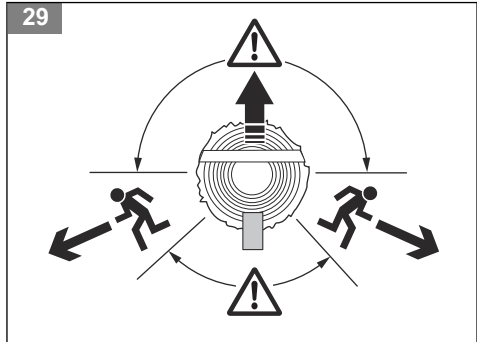
27



28



29



30



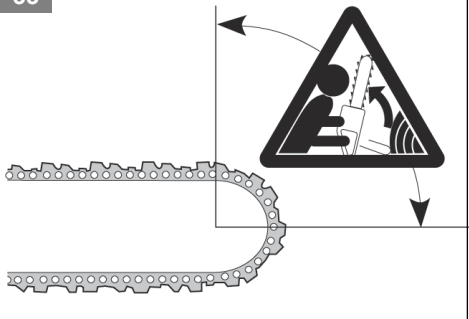
31



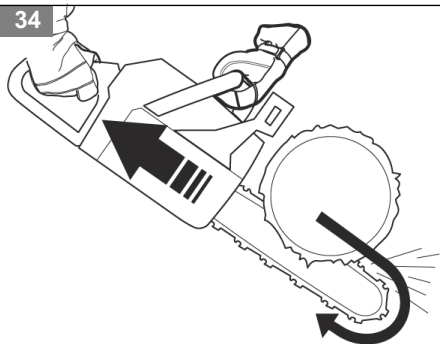
32



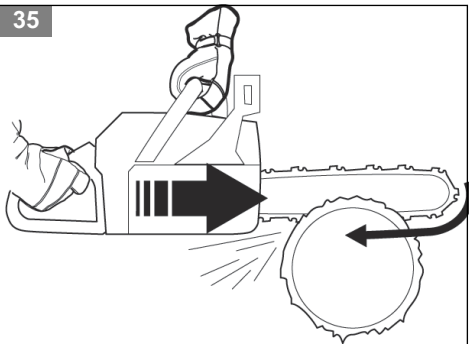
33



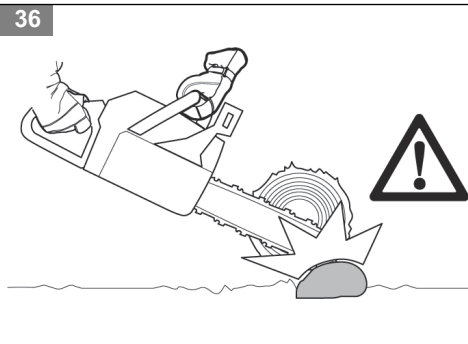
34



35

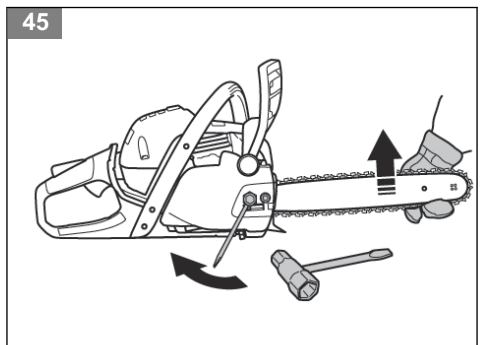
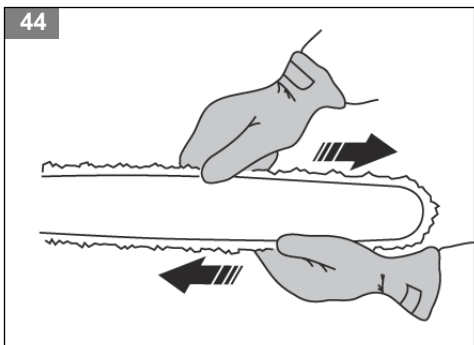
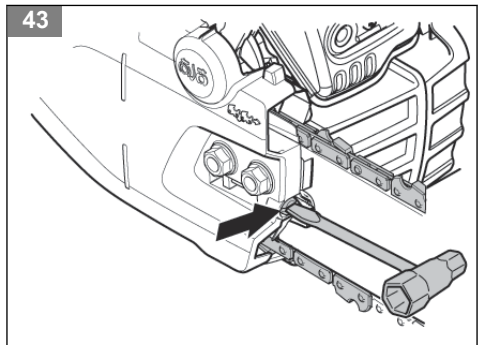
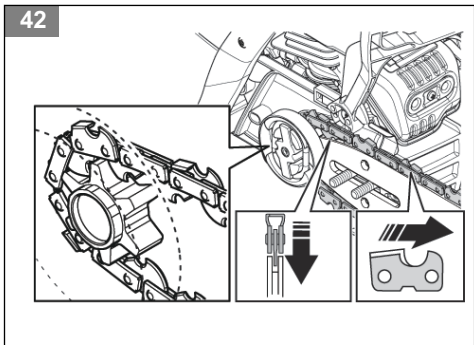
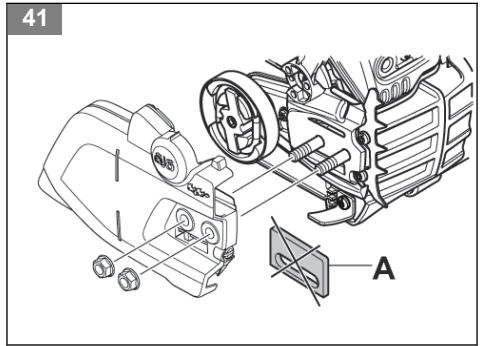
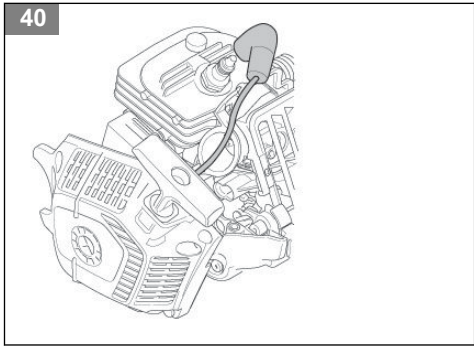
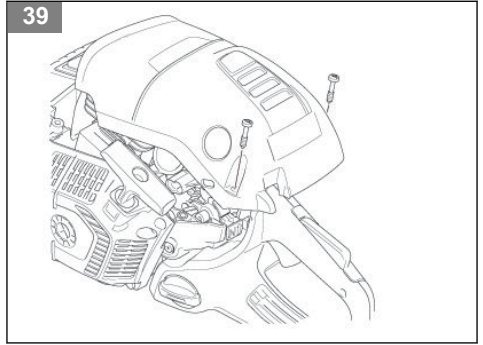
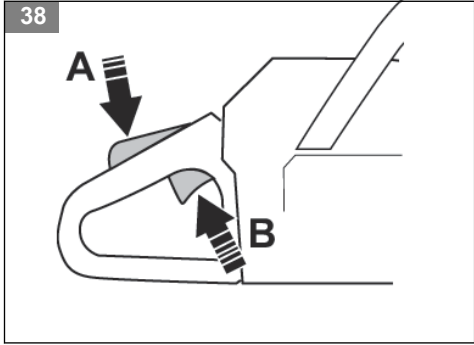


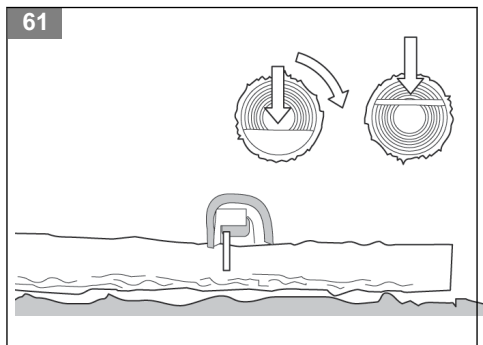
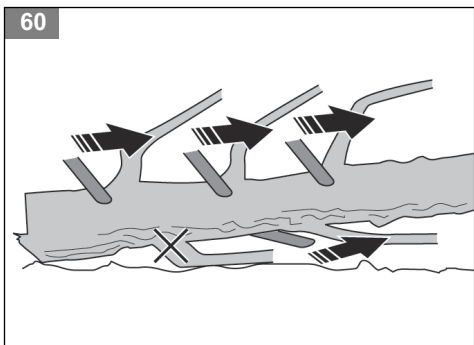
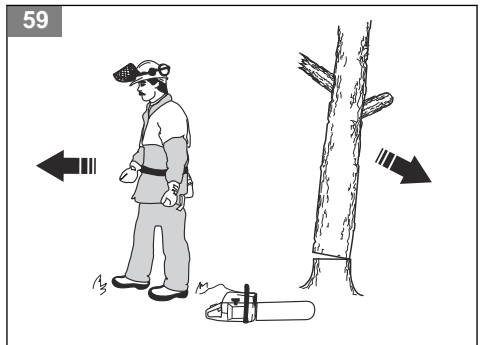
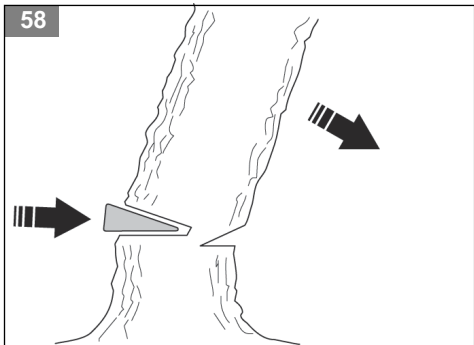
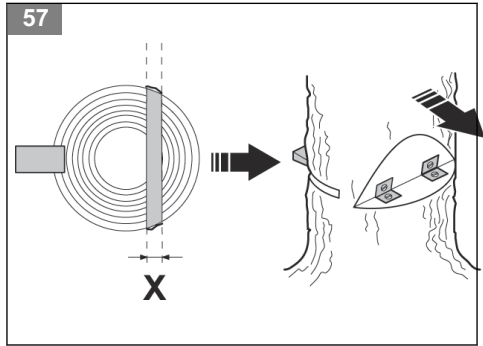
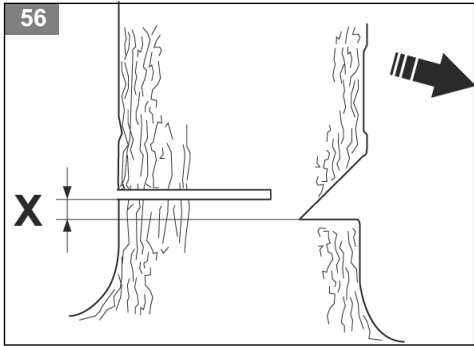
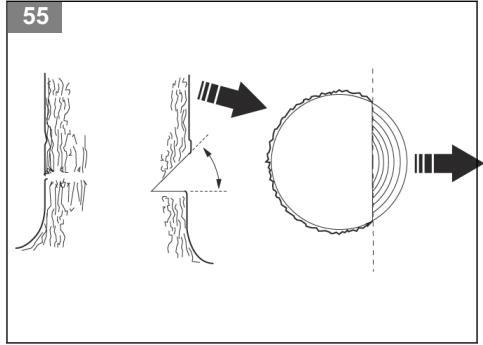
36

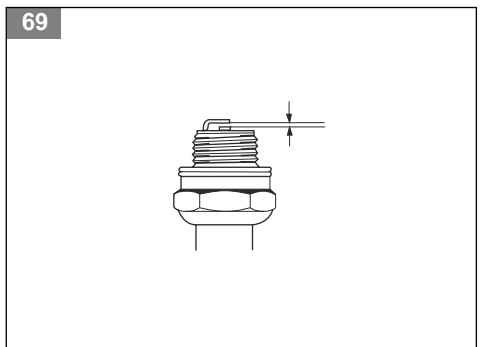
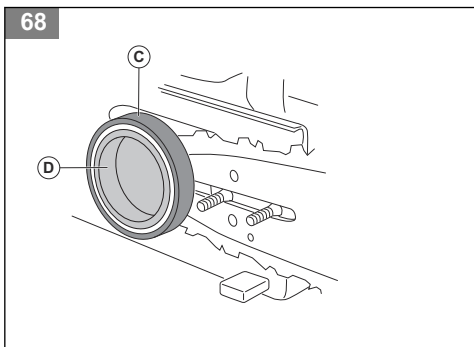
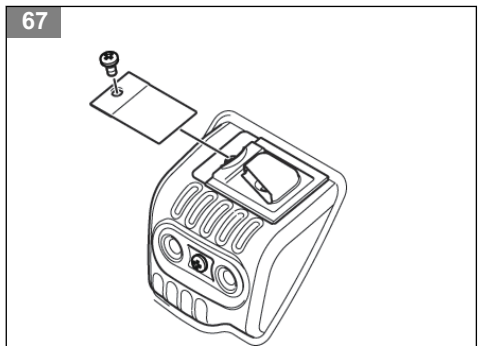
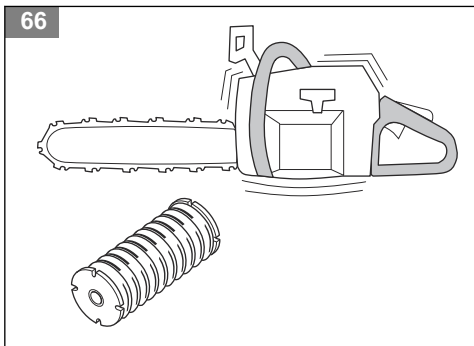
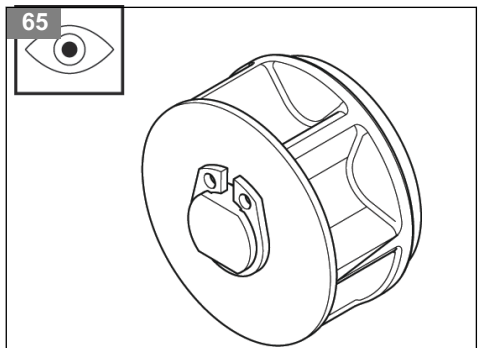
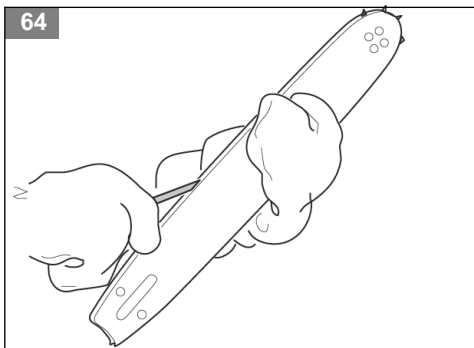
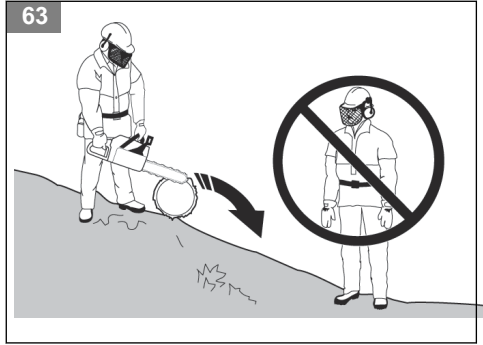
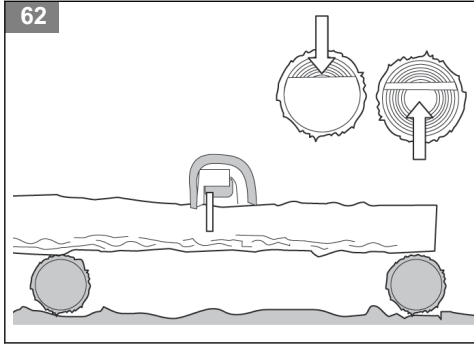


37

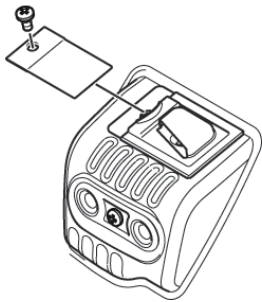




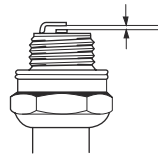




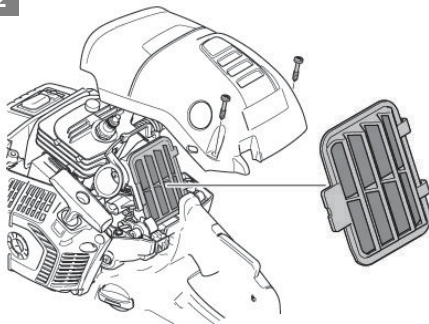
70



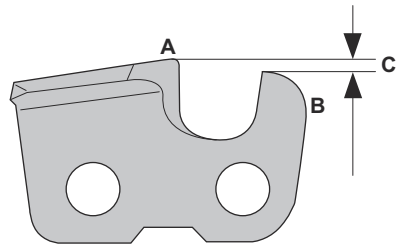
71



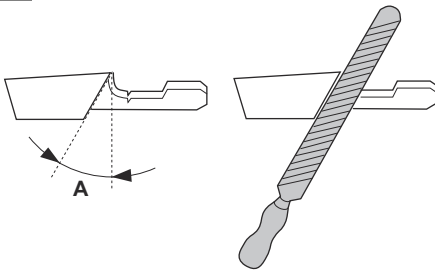
72



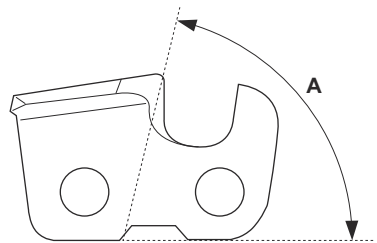
73



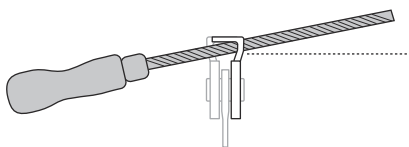
74



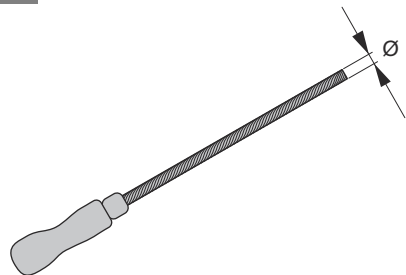
75

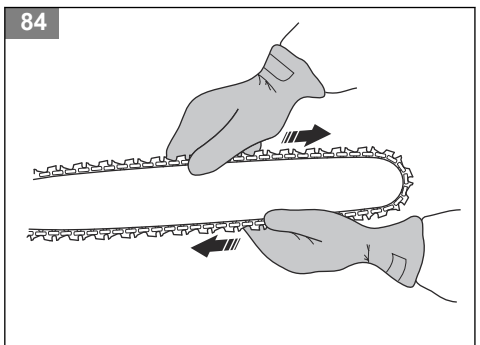
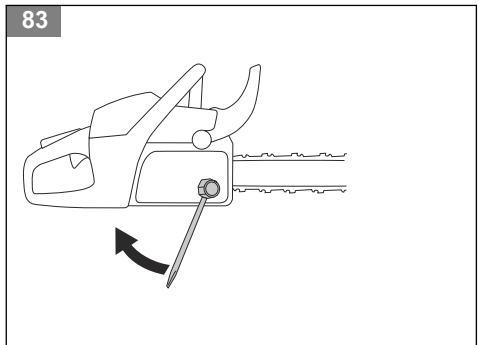
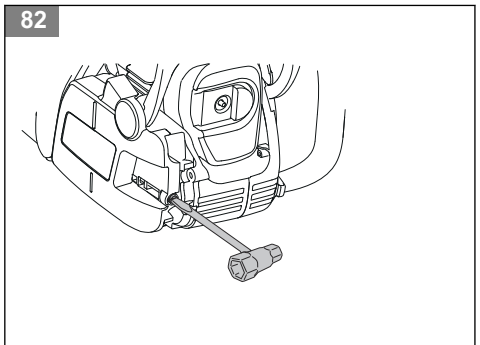
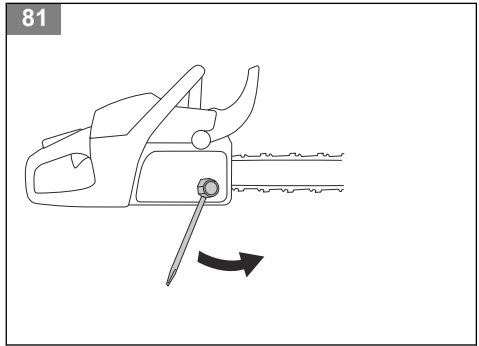
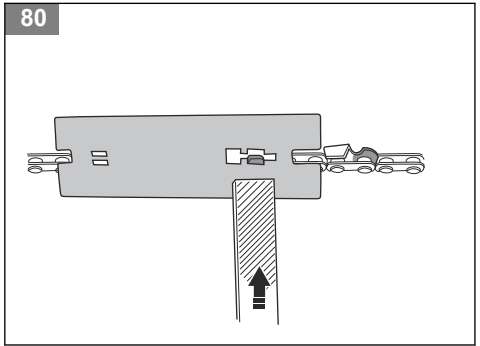
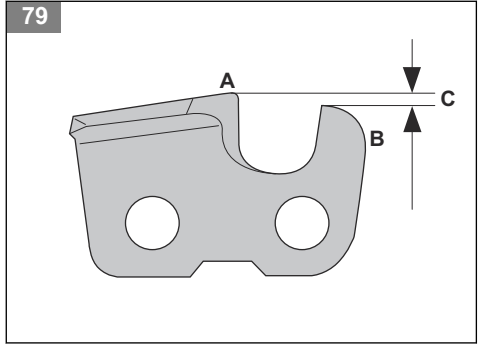
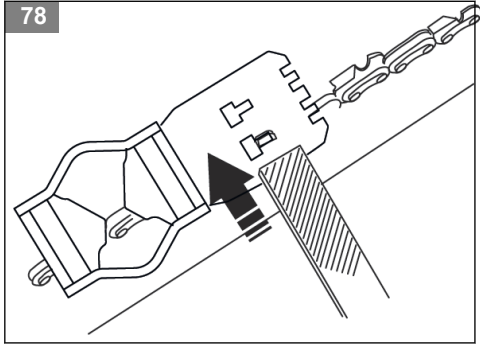


76



77





Contents

INTRODUCTION.....	11	TRANSPORTATION.....	21
SAFETY.....	12	STORAGE.....	21
ASSEMBLY.....	16	TECHNICAL DATA.....	21
OPERATION.....	16	ACCESSORIES.....	23
MAINTENANCE.....	18	CONTENTS OF THE EC DECLARATION OF CONFORMITY.....	23

INTRODUCTION

Operator's manual

The initial language of this operator's manual is English. Operator's manuals in other languages are translations from English.

Overview

(Fig. 1)

1. Cylinder cover
2. Primer bulb
3. Product and serial number plate
4. Information and warning decal
5. Stop switch
6. Rear handle
7. Fuel tank
8. Starter rope handle
9. Starter housing
10. Felling direction mark
11. Chain oil tank
12. Front handle
13. Chain brake and front hand guard
14. Muffler
15. Saw chain
16. Bar tip sprocket
17. Guide bar
18. Chain tensioning screw (130)
19. Chain tensioning screw (135 Mark II)
20. Spike bumper
21. Chain catcher
22. Clutch cover
23. Right hand guard
24. Throttle trigger
25. Throttle trigger lockout
26. Guide bar cover
27. Combination tool
28. Operator's manual

Symbols on the product

(Fig. 2) Warning

- (Fig. 3) Read this manual
- (Fig. 4) Use approved head protection, hearing protection and eye protection
- (Fig. 5) Use approved protective gloves
- (Fig. 6) The product agrees with the applicable EC Directives
- (Fig. 7) Sound power level
- (Fig. 8) Chain brake, not engaged (left). Chain brake, engaged (right)
- (Fig. 9) Choke control
- (Fig. 10) Primer bulb
- (Fig. 11) Refuelling
- (Fig. 12) Chain oil fill
- (Fig. 13) This product agrees with the applicable EAC directives
- (Fig. 14) This product agrees with the applicable Ukraine directives
- (Fig. 15) This product agrees with the applicable Korea directives
- (Fig. 16) This product agrees with the applicable Japan directives
- (Fig. 17) Noise level
- (Fig. 18) Hold the product properly with both hands
- (Fig. 19) Do not use with one hand
- (Fig. 20) Avoid contact with nose of guide bar

(Fig. 21) Beware of kickback

This product agrees with the applicable Australia and New Zealand electromagnetic compatibility directives.

(Fig. 22)

Proposition 65

(Fig. 23)

EU V



WARNING: Tampering with the engine voids the EU type-approval of this product.

Product liability

As referred to in the product liability laws, we are not liable for damages that our product causes if:

- the product is incorrectly repaired.
- the product is repaired with parts that are not from the manufacturer or not approved by the manufacturer.
- the product has an accessory that is not from the manufacturer or not approved by the manufacturer.
- the product is not repaired at an approved service center or by an approved authority.

SAFETY

Safety definitions

The definitions below give the level of severity for each signal word.



WARNING: Injury to persons.



CAUTION: Damage to the product.

Note: This information makes the product easier to use.

General safety instructions

- Use the product correctly. Injury or death is a possible result of incorrect use. Only use the product for the tasks found in this manual. Do not use the product for other tasks.
- Read, understand and obey the instructions in this manual. Obey the safety symbols and the safety instructions. If the operator does not obey the instructions and the symbols, injury, damage or death is a possible result.
- Do not discard this manual. Use the instructions to assemble, to operate and to keep your product in good condition. Use the instructions for correct installation of attachments and accessories. Only use approved attachments and accessories.
- Do not use a damaged product. Obey the maintenance schedule. Only do the maintenance work that you find an instruction about in this manual. An approved service center must do all other maintenance work.

- This manual cannot include all situations that can occur when you use the product. Be careful and use your common sense. Do not operate the product or do maintenance to the product if you are not sure about the situation. Speak to a product expert, your dealer, service agent or approved service center for information.
- Disconnect the spark plug cable before you assemble the product, put the product into storage or do maintenance.
- Do not use the product if it is changed from its initial specification. Do not change a part of the product without approval from the manufacturer. Only use parts that are approved by the manufacturer. Injury or death is a possible result of incorrect maintenance.
- Do not breathe in the fumes from the engine. Breathing in the engine's exhaust fumes, chain oil mist and sawdust for a long period can cause a health risk.
- Do not start the product indoors or near flammable material. The exhaust fumes are hot and can contain a spark which can start a fire. Without sufficient airflow, injury or death can result from asphyxiation or carbon monoxide.
- This product makes an electromagnetic field during operation. The electromagnetic field can cause damage to medical implants. Speak to your physician and medical implant manufacturer before you operate the product.
- Do not let a child operate the product.
- Do not let a person, without knowledge of the instructions, operate the product.
- Always monitor a person, with decreased physical capacity or mental capacity, that uses the product. A responsible adult must be there at all times.

Note: Other symbols/decals on the product refer to certification requirements for other commercial areas.

- Lock the product in an area that children and not approved persons cannot access.
- The product can eject objects and cause injuries. Obey the safety instructions to decrease the risk of injury or death.
- Do not go away from the product when the engine is on. Stop the engine and make sure that the chain does not turn.
- The operator of the product is responsible if an accident occurs.
- Make sure that parts are not damaged before you use the product.
- Refer to national or local laws. They can prevent or decrease the operation of the product in some conditions.
- Do not use the product in bad weather, such as fog, rain, strong winds, risk of lightning or other weather conditions. Dangerous conditions, such as slippery surfaces, can occur because of bad weather.
- Make sure that you can move freely and work in a stable position.
- Make sure that you cannot fall when you use the product. Do not tilt when you operate the product.
- Always hold the product with your two hands. Hold the front handle with your left hand and the rear handle with your right hand. Hold the product on the right side of your body.
- If the choke control is in the choke position when the engine starts, the chain starts to turn.
- Stop the engine before you move the product.
- Do not put down the product with the engine on.
- Before you remove the unwanted materials from the product, stop the engine. Let the chain stop before you or an aid remove the cut material.
- Do not operate this product in a tree. Operation of the product while up in a tree may result in personal injury.

Safety instructions for operation

- Continuous or regular operation of the product can cause "white finger" or equivalent medical problems from vibrations. Examine the condition of your hands and fingers if you operate the product continuously or regularly. If your hands or fingers have discoloration, have pain, tingle, or are numb, stop work and speak to a physician immediately.
- Make sure the product is fully assembled before you use it.
- The product can cause objects to eject, which can cause damage to the eyes. Always use approved eye protection when you operate the product.
- Be careful, a child can come near the product without your knowledge during operation.
- Do not operate the product if there are persons in the work area. Stop the product if a person goes into the work area.

(Fig. 24)

- Make sure that you are always in control of the product.
- The product must be operated with two hands. Do not operate the product with one hand. Serious injury to the operator, workers, bystanders, or a combination of these persons may result from operation with only one hand.
- Hold the front handle with your left hand and the rear handle with your right hand. Hold the product on the right side of your body.

(Fig. 25)

- Do not operate the product when you are fatigued, ill or under the influence of alcohol or other drugs.
- Do not use the product if you cannot receive aid if an accident occurs. Make others aware that you will operate the product before you start the product.
- Do not turn with the product before you make sure that no persons or animals are in the safety area.
- Remove all unwanted materials from the work area before you start. If the chain hits an object, the object can eject and cause injury or damage. Unwanted material can wind around the chain and cause damage.

(Fig. 26)

- The chain brake must be engaged when the product is started to decrease the risk that the saw chain touches you during start.

(Fig. 27)

- Avoid kickback, skating, bouncing and dropping, which can result in serious injury.
- Obey all safety rules to help avoid kickback and other forces which can result in serious injury.
- Adjust the saw chain tension regularly to make sure that the saw chain does not slack. A slack saw chain may jump off and cause serious injury or death.
- Do not fell trees using an incorrect procedure. This can cause injury to persons, hit a utility line or cause damage to property.
- The operator should remain on the uphill side of the terrain as the tree is likely to roll or slide downhill after it is felled.

(Fig. 28)

- Plan and clear an escape path before cuts are started. The escape path should extend back and diagonally to the rear of the expected line of fall.

(Fig. 29)

- Always stop the engine before you move the product between the trees.
- Make sure you firmly plant your feet on the ground and distribute your weight evenly.

(Fig. 30)

- Always keep proper footing and operate the product only when standing on fixed, secure and level surface. Slippery or unstable surfaces such as ladders may cause a loss of balance or control.

(Fig. 31)

Kickbacks, skating, bouncing and dropping

Different forces can have an effect on the safe control of the product.

- **Skating** is when the guide bar moves quickly across the wood.
- **Bouncing** is when the guide bar lifts off the wood and touches it again and again.
- **Dropping** is when the product drops down after the cut is made. This can cause the moving chain to touch a part of the body or other objects, causing injury or damage.
- **Kickback** is when the end of the guide bar touches objects and moves rearward, up or suddenly forward. Kickback also occurs when the wood closes in and pinches the saw chain during the cut. Loss of control can result if the product touches an object in wood.
(Fig. 32)
 - **Rotational Kickback** can occur when the moving chain touches an object at the top of the guide bar. This can cause the chain to bury into the object and cause the chain to stop immediately. The result is a very fast, reverse reaction that moves the guide bar up and rearward in the direction of the operator.
(Fig. 33)
 - **Pinch-Kickback** can occur when the saw chain suddenly stops during the cut. The wood closes in and pinches the moving saw chain along the top of the guide bar. The sudden stop of the chain reverses the chain force and causes the product to move in the opposite direction of the turn of the chain. The product moves rearward in the direction of the operator.
(Fig. 34)
 - **Pull-In** can occur when the saw chain suddenly stops when the moving chain touches an object in the wood along the bottom of the guide bar. The sudden stop pulls the product forward and away from the operator, which can easily cause the loss of control of the product by the operator.
(Fig. 35)

Make sure that you understand the different forces and how to prevent them before you operate the product. See *To prevent kickbacks, skating, bouncing and dropping* on page 14.

To prevent kickbacks, skating, bouncing and dropping

- While the motor runs, make sure to hold the product tightly. Keep your right hand on the rear handle and the left hand on the front handle. Tightly hold with thumbs and fingers around the handles. Do not let go.
- Keep control of the product during the cut and after the wood falls to the ground. Do not let the weight of the product drop down after the cut is made.

- Make sure that the area in which you are cutting is free from blockage. Do not let the nose of the guide bar touch a log, branch or other blockages while you operate the product. (Fig. 36)
- Cut at high motor speeds.
- Do not overreach or cut above shoulder height. (Fig. 37)
- Obey the sharpening and maintenance instructions by the manufacturer for the saw chain.
- Only use replacement guide bars and saw chains specified by the manufacturer.
- The risk of kickback is increased if the depth gauge is set too large.

Personal protective equipment

- Always use the correct personal protective equipment when you operate the product. Personal protective equipment decreases the grade of injury if an accident occurs, but does not erase it.
- Do not use loose clothing that can become caught in the saw chain.
- Use an approved protective helmet.
- Always use approved ear protection while you operate the product. Noise for a long period can cause hearing loss.
- Use protective glasses or a face visor to decrease the risk of injury from flying objects. The product can move objects with strong force, such as wood chips and small pieces of wood. This can result in serious injury, including to the eyes.
- Use gloves with chainsaw protection.
- Use pants with chainsaw protection.
- Use boots with chainsaw protection, steel toe-caps and nonslip soles.
- Make sure that you have a first aid kit near.
- Sparks can come from the muffler, the guide bar and saw chain or other sources. Always keep fire extinguishing tools and a shovel to help prevent forest fires.

Protective devices on the product

- Do not use a product with damaged protective equipment. If the product is damaged, speak to an approved service center.

To examine the stop switch

1. Start the engine. See *Before you start the engine* on page 17.
2. Make sure that the engine stops when you move the stop switch to the stop position.

To examine the throttle trigger lockout

1. Make sure that the throttle trigger (B) is locked at idle when you release the throttle trigger lockout (A) (Fig. 38).

2. Push the throttle trigger lockout (A) and make sure that it goes back to its initial position when you release it.
3. Push the throttle trigger (B) and make sure that it goes back to its initial position when you release it.
4. Start the engine, and then apply full throttle.
5. Release the throttle trigger and examine if the saw chain stops.
6. If the saw chain turns with the throttle in the idle position, examine the idle adjustment screw of the carburetor.

Guard

The guard prevents objects from being ejected in the direction of the operator. The guard also prevents accidental touch between the operator and the saw chain.

- Make sure that the guard is permitted for operation in combination with the product.
- Do not use the product without the guard.
- Make sure that the guard is not damaged. Replace the guard if it is worn or has cracks.

Fuel safety

- Do not start the product if there is fuel or engine oil on the product. Remove the unwanted fuel/oil and let the product dry. Remove unwanted fuel from the product.
- If you spill fuel on your clothing, change clothing immediately.
- Do not get fuel on your body, it can cause injury. If you get fuel on your body, use a soap and water to remove the fuel.
- Do not start the engine if you spill oil or fuel on the product or on your body.
- Do not start the product if the engine has a leak. Examine the engine for leaks regularly.
- Be careful with fuel. Fuel is flammable and the fumes are explosive and can cause injuries or death.
- Do not breathe in the fuel fumes, it can cause injury. Make sure that there is a sufficient airflow.
- Do not smoke near the fuel or the engine.
- Do not put warm objects near the fuel or the engine.
- Do not add the fuel when the engine is on.
- Make sure that the engine is cool before you refuel.
- Before you refuel, open the fuel tank cap slowly and release the pressure carefully.
- Do not add fuel to the engine in an indoor area. Not sufficient airflow can cause injury or death because of asphyxiation or carbon monoxide.
- Tighten the fuel tank cap carefully or a fire can occur.
- Move the product at a minimum of 3 m (10 ft) from the position where you filled the tank before a start.

- Do not put too much fuel in the fuel tank.
- Make sure that a leak cannot occur when you move the product or fuel container.
- Do not put the product or a fuel container where there is an open flame, spark or pilot light. Make sure that the storage area does not contain an open flame.
- Only use approved containers when you move the fuel or put the fuel into storage.
- Empty the fuel tank before long-term storage. Obey the local law on where to dispose fuel.
- Clean the product before long-term storage.
- Remove the spark plug cable before you put the product into storage to make sure that the engine does not start accidentally.

Safety instructions for maintenance

- Disconnect the spark plug before doing maintenance on the product, not including carburetor adjustments.
- Have all product servicing done by an approved dealer, not including the tasks in *MAINTENANCE on page 18*.
- Make sure the saw chain stops moving when the throttle trigger is released.
- Keep the handles dry, clean, and free from oil or fuel mixture.
- Keep caps and fasteners correctly tightened.
- Replacement components that are not approved or the removal of safety devices can cause damage to the product. This can also cause possible injury to the operator or bystanders. Only use accessories and replacement parts as recommended. Do not change your product.
- Keep the saw chain sharp and clean for safe and high performance.
- Obey the instructions for lubricating and changing accessories.
- Examine the product for damaged parts. Before more use of the product, make sure the damaged guard or part operates correctly. Examine for broken or incorrectly aligned parts, and parts that do not move freely. Examine for other conditions that can have an effect on the operation of the product. Make sure the product is correctly installed. A guard or other damaged part must be repaired or replaced by an approved dealer unless written in the operator's manual.
- When not in operation, keep the product in a dry, high or locked area away from children.
- During transportation or storage of the product, use a guide bar cover or case to move the product.
- Do not use waste oil. Waste oil can be dangerous to you and can cause damage to the product and environment.

ASSEMBLY



WARNING: Read and understand the safety chapter before you assemble the product.

To assemble the guide bar and saw chain

1. Remove the spark plug cap from the spark plug during assembly to prevent an accidental start. (Fig. 39) (Fig. 40)
2. Remove the bar nuts and the clutch cover. Remove the transportation guard (A). (Fig. 41)
3. Put the guide bar above the bar bolts. Steer the guide bar to its most rear position.
4. Put on protective chainsaw gloves.
5. Lift the saw chain above the drive sprocket and engage it in the groove on the guide bar. Start on the top edge of the guide bar. (Fig. 42)
6. Make sure that the edges of the cutting links are turned forward on the top edge of the guide bar.
7. Assemble the clutch cover and steer the chain adjuster pin to the hole in the guide bar.
8. Make sure that the drive links of the saw chain fit correctly on the drive sprocket. Also make sure that the saw chain is correctly engaged in the groove in the guide bar.
9. Tighten the guide bar nuts finger.
10. Tighten the saw chain by turning the chain tensioning screw clockwise with the combination wrench. Tighten the saw chain until it does not sag from below the guide bar, but you can turn it easily by hand. (Fig. 43) and (Fig. 44)
11. Hold up the end of the guide bar and tighten the bar nuts with the combination wrench. (Fig. 45)
 - Examine the chain tension frequently after you assemble a new saw chain and until the saw chain has been run-in.
 - Examine the chain tension regularly. Correct chain tension results in good cutting performance and a long life.

OPERATION



WARNING: Read and understand the safety chapter before you operate the product.

To use fuel



CAUTION: This product has a two-cycle engine. Use a mixture of gasoline and two-cycle engine oil. Make sure to use the correct quantity of oil in the mixture. Incorrect ratio of gasoline and oil can cause damage to the engine.

Fuel mixture ratio

The fuel mixture ratio for the gasoline and two-cycle engine oil is 50:1 (2%)

Gasoline	Two-cycle engine oil
1 U.S. Gal.	77 ml (2.6 oz)
1 UK Gal.	95 ml (3.2 oz)
5 l	100 ml (3.4 oz)

To make the fuel mixture

1. Determine the correct quantity of gasoline and engine oil (mixture ratio 50:1). Do not make more than 30 days quantity of fuel mixture. See *Fuel mixture ratio on page 16*.
2. Add half of the gasoline quantity to a clean fuel container with an antispill valve.



CAUTION: Do not use gasoline with more than 10% ethanol concentration (E10). This can cause damage to the product.



CAUTION: Do not use gasoline with an octane number less than 90 RON (87 AKI). This can cause damage to the product.

Note: Use gasoline with a higher octane number if you frequently use the product at continuously high engine speed.

3. Add the full quantity of the two-cycle engine oil to the fuel container.



CAUTION: Always use air-cooled two-cycled engine oil of high quality. Other oils can cause damage to the product.

4. Shake the fuel mixture to mix the contents.
5. Add the remaining gasoline quantity to the fuel container.
6. Shake the fuel mixture to mix the contents.
7. Fill the fuel tank of the product with the fuel mixture. See *Fuel mixture ratio on page 16*.

To fill the fuel tank

1. Make sure that the fuel mixture is correct and that the fuel mixture is in a fuel container with an antispill valve.
2. If fuel is on the container, remove the unwanted fuel and let the container dry.
3. Make sure that the area near the fuel tank cap is clean.
4. Remove the fuel tank cap. (Fig. 46)
5. Shake the fuel container before you add the fuel mixture to the fuel tank.
6. Put back the fuel tank cap.

To lubricate the saw chain

The product has an automatic lubrication system. Make sure to only use the correct chain oil and obey the instructions.

1. Use vegetable-based saw chain oil or a standard chain oil.
2. Make sure that the area near the cap of the saw chain oil tank is clean.
3. Remove the cap of the saw chain oil tank.
4. Fill the saw chain oil tank with the recommended saw chain oil.
5. Put back the cap of the saw chain oil tank.

Before you start the engine

- Examine the product for missing, damaged, loose or worn parts.
- Examine the nuts, screws and bolts.
- Examine the air filter.
- Examine the throttle trigger lockout and the throttle control for correct operation.
- Examine the stop switch for correct operation.
- Examine the product for fuel leaks.
- Examine the saw chain sharpness and tension.

To start a cold engine

1. Move the front hand guard forward to activate the chain brake. (Fig. 47)
2. Pull the choke control out and up.
3. Push the primer bulb 6 times. (Fig. 48)
4. Hold the body of the product on the ground with your left hand. Do not step on the product. Pull the starter rope handle slowly until you feel some resistance. Then pull the starter rope handle with force. (Fig. 49)

Note: Do not pull the throttle trigger while you start the engine.

5. Continue to pull the starter rope handle until the engine starts or tries to start (max. 3 pulls). If the

engine starts or tries to start, push the choke control down. (Fig. 50)



CAUTION: Do not pull the starter rope until it stops. Do not let go of the starter rope when it is fully extended. Release the starter rope slowly. Failure to obey these instructions can cause damage to the engine.

6. Continue to pull until the engine starts. Wait 60 seconds after a start before you pull the throttle trigger.
7. Pull the front hand guard back towards the front handle to disengage the chain brake.
8. Hold the rear handle with your right hand and the front handle with your left hand.
9. Use the product.

To start a warm engine

1. Move the front hand guard forward to activate the chain brake. (Fig. 51)
2. Pull the choke control out and up.
3. Push the primer bulb 6 times. (Fig. 52)
4. Push the choke control down. (Fig. 53)
5. Hold the body of the product on the ground with your left hand. Do not step on the product. Pull the starter rope handle slowly until you feel some resistance. Then pull the starter rope handle with force. (Fig. 54)



CAUTION: Do not pull the starter rope until it has stopped. Do not let go of the starter rope when it is fully extended. Release the starter rope slowly. Obey these instructions to prevent damage to the engine.

Note: Do not pull the throttle trigger while you start the engine.

6. Continue to pull the starter rope handle until the engine starts or tries to start (max. 3 pulls). Wait 60 seconds after a start before you pull the throttle trigger.
7. Pull the front hand guard rearward in the direction of the front handle to disengage the chain brake.
8. Hold the rear handle with your right hand and the front handle with your left hand.
9. Use the product.

To start the engine when the fuel is too hot

If the product does not start, the fuel can be too hot.

Note: Always use new fuel and decrease the operation time during warm weather.

1. Put the product in a cool area away from open sunlight.
2. Let the product cool down for 20 minutes at minimum.
3. Press the primer bulb again and again for 10-15 seconds.
4. Obey the procedure to start a cold engine. See *To start a cold engine on page 17.*

To stop

- Push the stop switch to stop the engine.

Note: The stop switch automatically goes back to its initial position.

To use a spike bumper

A spike bumper prevents kickbacks and holds the wood as you cut. The spike bumper is a pivot between the engine body and the guide bar.

1. Put the lower end of the spike bumper at the correct hinge width.
2. Press, with your left hand, against the front handle while you lift the rear handle with your right hand.
3. Saw until you get the correct hinge width.

Note: The hinge must have an equal thickness.

4. Saw more than half of the diameter and then put the felling wedge into the saw cut.

To fell a tree

1. Remove dirt, stones, loose bark, nails, staples and wire from the tree.
2. Make a notch 1/3 the diameter of the tree, perpendicular to the direction of the fall. (Fig. 55)
3. Make the lower horizontal notch cut. This helps prevent pinching the saw chain or the guide bar when the second notch is made.
4. Make the felling back cut (X) a minimum of 50 mm (2 in) higher than the horizontal notch cut. Keep the felling back cut parallel to the horizontal notching cut so sufficient wood is left to be a hinge. Do not cut

through the hinge. The hinge wood keeps the tree from twisting and falling in the incorrect direction. (Fig. 56) and (Fig. 57)

5. As the felling back cut nears the hinge, the tree starts to fall. Make sure that the tree can fall in the correct direction and not rock rearward and pinch the saw chain. Stop the cut before the felling back cut is complete to prevent this. Use wedges of wood, plastic or aluminum to open the cut and let the tree fall along the necessary line of fall. (Fig. 58)
6. When the tree starts to fall, remove the product from the cut. Stop the motor, put the product down and use the planned escape path. Be careful of limbs falling from above and monitor your footing. (Fig. 59)

To limb a tree

1. Use larger limbs to hold the log off the ground.
2. Remove small limbs in one cut. (Fig. 60)
3. Cut branches that have tension from the bottom to the top to prevent pinching the saw chain or the guide bar.

To buck a log



CAUTION: Do not let the saw chain touch the ground.

- If the log has support along its full length, cut from the top of the log (known as overbucking). (Fig. 61)
- If the log has support on one end, cut 1/3 the diameter from below the log (known as underbucking).
- If the log has support on the two ends, cut 1/3 the diameter from the top. Complete the cut by underbucking the lower 2/3 of the log to touch the first cut. (Fig. 62)
- If you buck a log on a slope, always stay on the uphill side of the log. Cut through the log while you keep complete control of the product. Then release the cutting pressure near the end of the cut while tightly holding the rear handle and front handle. (Fig. 63)

MAINTENANCE



WARNING: Read and understand the safety chapter before you clean, repair or do maintenance on the product.

Maintenance schedule

Make sure that you obey the maintenance schedule. The intervals are calculated from daily use of the product. The intervals are different if you do not use the product each day. Only do the maintenance work that is found in this manual. Speak to an approved service

center about other maintenance work not found in this manual.

Daily maintenance

- Clean the external surfaces.
- Make sure that the trigger lockout and trigger work correctly.
- Clean the chain brake and make sure that it operates correctly.

- Examine the chain catcher for damage. Replace the chain catcher if it is damaged.
- Turn the guide bar daily for more equal wear.
- Make sure that the lubrication hole in the guide bar is not clogged.
- Remove saw dust and other unwanted material from below the sprocket cover.
- Clean the guide bar groove.
(Fig. 64)
- Make sure that the guide bar and saw chain get sufficient oil.
- Examine the saw chain for:
 - a crack in the rivets and links.
 - irregularly worn rivets and links.
 - the correct tension.
 - burrs on the chain drive links.

If necessary, replace the saw chain.

- Sharpen the saw chain. See *To sharpen the saw chain on page 20*.
- Examine the drive sprocket for too much wear and replace if necessary.
(Fig. 65)
- Clean the air intake of the motor housing.
- Make sure that the nuts and screws are tight.
- Make sure that the power switch works correctly.

Weekly maintenance

- Make sure that the cooling system works correctly.
- Make sure that the starter, starter cord and return spring work correctly.
- Make sure that the vibration damping elements are not damaged.

(Fig. 66)

- File off any burrs from the edges of the guide bar.
- Clean or replace the spark arrestor screen on the muffler.

(Fig. 67)

- Clean the external surfaces of the carburetor and its adjacent areas.
- Clean the air filter. Install a new air filter if it is damaged or too dirty to be fully cleaned. See *To clean the air filter on page 20* for more information.

Monthly maintenance

- Examine the brake band on the chain brake for wear. Replace when the brake band thickness is less than 0.6 mm (0.024 in) at the most worn point.

(Fig. 68)

- Examine the clutch center, clutch drum and clutch spring for wear.
- Clean the spark plug. Make sure that the electrode gap is correct.

(Fig. 69)

- Clean the external surfaces of the carburetor and its adjacent areas.
- Examine the fuel filter and the fuel hose. Replace if necessary.
- Empty the fuel tank.
- Empty the oil tank.
- Examine all cables and connections.

Yearly maintenance

- Examine the spark plug.
- Clean the external surfaces of the carburetor and its adjacent areas.
- Clean the cooling system.
- Examine the spark arrester screen.
- Examine the fuel filter.
- Examine the fuel hose for damage.
- Examine all cables and connections.

Intermittent maintenance

- Have an approved service center repair or replace the muffler after 50 hours of operation.
- Do maintenance on the spark plug when:
 - the power level in the engine is low.
 - it is hard to start the engine.
 - the engine does not work correctly at idle speed.
- Do a check of the saw chain lubrication each time you refuel. See *To do a check of the saw chain lubrication on page 21*.

To adjust the idle speed

Make sure that the air filter is clean and the air filter cover is attached before you adjust the idle speed.

1. Turn the idle adjustment screw, which is identified with a "T" mark, clockwise until the saw chain starts to turn.
2. Turn the idle adjustment screw, which is identified with a "T" mark, counterclockwise until the saw chain stops.
3. The idle speed must be below the speed when the saw chain starts to turn. The idle speed is correct when the engine operates smoothly in all positions.

To do maintenance on the spark arrester screen

- Use a wire brush to clean the spark arrester screen.
(Fig. 70)

To do maintenance on the spark plug



CAUTION: Use the recommended spark plug. Make sure that the replacement is the same as the manufacturer supplied part. An incorrect spark plug can cause damage to the product.

1. If the product is hard to start or operate, examine the spark plug for unwanted materials. To decrease the risk of unwanted material on the spark plug electrodes:
 - a) make sure that the idle speed is correctly adjusted.
 - b) make sure that the fuel mixture is correct.
 - c) make sure that the air filter is clean.
2. Clean the spark plug if it is dirty. Make sure that the electrode gap is correct.(Fig. 71)
3. Replace the spark plug when it is necessary.

To clean the air filter

1. Remove the air filter cover and remove the air filter. (Fig. 72)
2. Clean the air filter with warm soap water. Make sure that the air filter is dry before you install it.
3. Replace the air filter if it is too dirty to fully clean it. Always replace a damaged air filter.

To sharpen the saw chain

The cutter

The cutting part of the saw chain is called the cutter and consists of a cutting tooth (A) and the depth gauge (B). The cutters cutting depth is determined by the difference in height between the two, the depth gauge setting (C).

(Fig. 73)

When you sharpen a cutting tooth there are four important factors to remember:

- Filing angle.

(Fig. 74)

- Cutting angle.

(Fig. 75)

- File position.

(Fig. 76)

- Round file diameter.

(Fig. 77)

To sharpen the cutting teeth

Use a round file and a file gauge to sharpen the cutting teeth. See *Saw chain filing and saw chain combinations on page 23* for information on the recommended dimension of the file and gauge for the saw chain installed on your product.

(Fig. 78)

1. Make sure that the saw chain has the correct tension. A chain without the correct tension moves to one side does and not sharpen correctly.
2. Use the file on all the teeth on one side. Then use the file on the cutting teeth from the inner face and decrease the pressure in the reverse direction.

3. Turn the product on the opposite side and use the file on the teeth.
4. Use the file to keep all teeth the same length. Replace a worn saw chain when the length of the cutting teeth decreases to 4 mm (5/32 in).

To adjust the depth gauge setting

Sharpen the cutting teeth before you adjust the depth gauge setting. See *To sharpen the cutting teeth on page 20*. When you sharpen the cutting tooth (A), the depth gauge setting (C) will decrease. To maintain optimal cutting performance, the depth gauge (B) has to be filed down to achieve the recommended depth gauge setting. See *Saw chain filing and saw chain combinations on page 23* to find the correct depth gauge setting for your particular chain.

(Fig. 79)

(Fig. 80)

Note: This recommendation assumes that the length of the cutting teeth is not reduced excessively.

Use a flat file and depth gauge tool to adjust the depth gauge.

1. Put the depth gauge tool above the saw chain. Detailed information regarding how to use the depth gauge tool will be found on the package of the depth gauge tool.
2. Use the flat file to file off the tip of the depth gauge that protrudes through the depth gauge tool. The depth gauge setting is correct when you no longer feel resistance as you draw the file along the depth gauge tool.

To tension the saw chain

Note: Check the tension of a new saw chain frequently during its running-in period.

1. Loosen the guide bar nuts that hold the sprocket cover. Use the combination wrench. (Fig. 81)
2. Tighten the guide bar nuts by hand as tight as you can.
3. Lift the top of the guide bar and extend the saw chain by tightening the chain tensioning screw. Use the combination wrench. Tighten the saw chain until it does not hang down from the bottom of the guide bar. (Fig. 82)
4. Tighten the guide bar nuts using the combination wrench and lift the tip of the guide bar at the same time. (Fig. 83)
5. Make sure that you can pull the saw chain round freely by hand and that it does not sag.(Fig. 84)

To lubricate the cutting equipment

To do a check of the saw chain lubrication

Do a check of the chain saw lubrication each time you refuel.

1. Start the product and let it run at 3/4 speed. Point the nose of the guide bar at a light color surface almost 20 cm (8 in) away.
2. After 1 minute of running, a line of oil shows on the light surface.
3. If you cannot see the line of oil after 1 minute, clean the oil channel in the guide bar. Clean the groove in the edge of the guide bar. Make sure the guide bar nose sprocket turns freely and that there are no blockages in the lubrication hole. Clean and lubricate the tip sprocket.
4. Start the product and let it run at 3/4 speed. Point the nose of the bar at a light color surface almost 20 cm (8 in) away.
5. After 1 minute of running, a line of oil shows on the light surface.
6. If you cannot see the line of oil after 1 minute, speak to your approved dealer.

TRANSPORTATION

- Empty the fuel and chain oil tanks before transportation. Discard used fluids correctly.
- Put the guide bar cover on the cutting attachment during transportation. This prevents persons from touching the sharp saw chain by accident. A saw chain not in operation can cause injury to you or other persons that touch a sharp saw chain.
- Remove the spark plug cap from the spark plug and engage the chain brake before transportation.
- Make sure the product cannot move during transportation.

STORAGE

- Always put the product away safely when not in operation. Leakages and fumes from the product can touch sparks, naked flames from electrical equipment, electrical mowers, relays/switches, boilers and more.
- Always save fuel in an approved container.
- Empty the fuel and chain oil tanks when the product is in storage for longer periods of time. Discard used fluids correctly.
- During storage, put the guide bar cover on the guide bar. This prevents persons from accidentally touching the sharp saw chain. A saw chain not in operation can cause serious injury to you or persons who touch a sharp saw chain.
- Remove the spark plug cap from the spark plug and engage the chain brake before storage.

TECHNICAL DATA

	unit	130 (H13038HV)	135 Mark II (H13038HV)
Engine specifications			
Cylinder displacement	cm ³	38	38
Spark plug	—	NGK BPMR 7A	NGK BPMR 7A
Electrode gap	mm (in)	0.5 (0.02)	0.5 (0.02)
Fuel tank volume	cm ³	350	350
Idling speed	min ⁻¹	2800-3200	2800-3200
Power output at 9000 min ⁻¹	kW	1.5	1.6
Emission durability period	h	125	125
Noise and vibration data			

	unit	130 (H13038HV)	135 Mark II (H13038HV)
Equivalent vibration level (ahv, eq) left handle ¹	m/s ²	3.72	3.72
Equivalent vibration level (ahv, eq) right handle ²	m/s ²	5.5	5.5
Sound power level, guaranteed (L _{WA}) ³	dB(A)	116	116
Sound power level, measured ⁴	dB(A)	114	114
Sound pressure level at operator's ear ⁵	dB(A)	102	102
Product dimensions			
Weight (excluding cutting equipment)	kg	4.68 (10.3)	4.68 (10.3)
Oil tank volume	cm ³	260	260
Fuel and lubrication system			
Oil pump capacity at 9000 min ⁻¹	ml/min	9	9
Type of oil pump	—	Automatic	Automatic
Saw chain and guide bar			
Standard guide bar length	cm (in)	35-40 (14-16)	35-40 (14-16)
Recommended guide bar length	cm (in)	35-40 (14-16)	35-40 (14-16)
Usable cutting length	cm (in)	33-38 (13-15)	33-38 (13-15)
Maximum saw chain speed	m/s	22.3	22.3
Saw chain pitch	mm (in)	9.52 (3/8)	9.52 (3/8)
Thickness of drive links (gauge)	mm (in)	1.3 (0.050)	1.3 (0.050)
Type of drive sprocket	—	Spur	Spur
Number of drive sprocket teeth	—	6	6

¹ Equivalent vibration level is calculated as the time-weighted energy total for vibration levels under various working conditions. Reported data for equivalent vibration level has a typical statistical dispersion (standard deviation) of 1.5 m/s².

² Equivalent vibration level is calculated as the time-weighted energy total for vibration levels under various working conditions. Reported data for equivalent vibration level has a typical statistical dispersion (standard deviation) of 1.5 m/s².

³ Noise emissions in the environment measured as sound power (L_{WA}).

⁴ Noise emissions in the environment measured as sound power (L_{WA}).

⁵ Equivalent sound pressure level is calculated as the time-weighted energy total for different sound pressure levels under various working conditions. Typical statistical dispersion for equivalent sound pressure level is a standard deviation of 2.5 dB(A).

ACCESSORIES

Guide bar and saw chain combinations

Guide bar				Saw chain	
Length	Pitch	Gauge	Max. nose radius	Type	Drive link count
14 inch	3/8 inch	0.050 inch	7T	Husqvarna H37	52
16 inch				Husqvarna S93G	56

Saw chain filing and saw chain combinations

Chain type	Round file size	Side plate angle	Top plate angle	File guide angle	Depth gauge setting	Depth gauge part no.	File gauge part no.
H37, S93G	5/32 in. 4.0 mm	80°	30°	0°	0.025 / 0.65	5056981-03	5052437-01

CONTENTS OF THE EC DECLARATION OF CONFORMITY

We, Husqvarna AB, SE 561 82 Huskvarna, SWEDEN, declare under our sole responsibility that the represented product:

Description	Gasoline chainsaw
Brand	Husqvarna
Platform / Type / Model	Platform H13038HV, representing model 130, 135 Mark II
Batch	Serial number dating 2018 and onwards

complies fully with the following EU directives and regulations:

Directive/Regulation	Description
2006/42/EC	"relating to machinery"
2014/30/EU	"relating to electromagnetic compatibility"
2000/14/EC	"relating to outdoor noise"

Directive/Regulation	Description
2011/65/EU	"restriction of use of certain hazardous substances"

Harmonized standards and/or technical specifications applied are as follows: EN ISO 12100, EN ISO 11681-1, CISPR 12, ISO 14982

In accordance with directive 2000/14/EC, Annex V, the declared sound values are stated in the technical data section of this manual and in the signed EU Declaration of Conformity.

TÜV Rheinland LGA Products GmbH, Notified Body for Machinery (notified under 0197), Tillystraße 2 - 90431 Nürnberg, Germany, carried out an EC type examination in accordance with 2006/42/EC, article 12, point 3b.

The type examination certificate, in accordance with Annex IX, as provided in the signed Declaration of Conformity, is applicable to all manufacturing locations and Countries of Origin, as stated on the product.

This chainsaw conforms to the example that underwent EC type examination.

Inhalt

EINLEITUNG	24	TRANSPORT	35
SICHERHEIT	25	LAGERUNG	36
MONTAGE	29	TECHNISCHE DATEN	36
BETRIEB	30	ZUBEHÖR	37
WARTUNG	33	INHALT DER EU-KONFORMITÄTSERKLÄRUNG	38

EINLEITUNG

Bedienungsanleitung

Die Ausgangssprache dieser Betriebsanleitung ist Englisch. Bedienungsanleitungen in anderen Sprachen sind Übersetzungen aus dem Englischen.

Übersicht

(Abb. 1)

- | | | |
|---------------------------------------|------------|--|
| 1. Zylinderdeckel | | Tragen Sie zugelassenen Kopfschutz, |
| 2. Kraftstoffpumpe | (Abb. 4) | Gehörschutz und Schutzbrille |
| 3. Produkt- und Seriennummerschild | (Abb. 5) | Tragen Sie zugelassene Schutzhandschuhe |
| 4. Informations- und Warnschild | | Dieses Gerät entspricht den geltenden CE- |
| 5. Stoppschalter | (Abb. 6) | Richtlinien |
| 6. Hinterer Handgriff | (Abb. 7) | Schalleistungspegel |
| 7. Kraftstofftank | | Kettenbremse, nicht aktiviert (links). |
| 8. Startseilhandgriff | (Abb. 8) | Kettenbremse, aktiviert (rechts) |
| 9. Startvorrichtunggehäuse | (Abb. 9) | Choke-Hebel |
| 10. Fallrichtungsmarkierung | (Abb. 10) | Kraftstoffpumpe |
| 11. Kettenöltank | (Abb. 11) | Tanken |
| 12. Vorderer Handgriff | (Abb. 12) | Befüllung mit Kettenöl |
| 13. Kettenbremse mit Handschutz | | Dieses Gerät entspricht den geltenden EAC- |
| 14. Schalldämpfer | (Abb. 13) | Richtlinien |
| 15. Sägekette | | Dieses Gerät entspricht den geltenden |
| 16. Umlenkstern | (Abb. 14) | Richtlinien der Ukraine |
| 17. Führungsschiene | | Dieses Gerät entspricht den geltenden |
| 18. Kettenspannschraube (130) | (Abb. 15) | Richtlinien Koreas |
| 19. Kettenspannschraube (135 Mark II) | | Dieses Gerät entspricht den geltenden |
| 20. Rindenstütze | (Abb. 16) | Richtlinien Japans |
| 21. Kettenfänger | (Abb. 17) | Geräuschpegel |
| 22. Kupplungsdeckel | | Halten Sie das Gerät mit beiden Händen |
| 23. Rechtshandschutz | (Abb. 18) | fest |
| 24. Gashebel | (Abb. 19) | Verwenden Sie es nicht mit einer Hand |
| 25. Gashebelsperre | | Vermeiden Sie Kontakt mit der |
| 26. Führungsschienenabdeckung | (Abb. 20) | Führungsschiene |
| 27. Kombinationswerkzeug | (Abb. 21) | Achten Sie auf Rückstöße |
| 28. Bedienungsanleitung | | |

Symbole auf dem Produkt

(Abb. 2) Warnung

(Abb. 3) Lesen Sie diese Bedienungsanleitung

(Abb. 22) Dieses Gerät entspricht den in Australien und Neuseeland geltenden Richtlinien zur elektromagnetischen Verträglichkeit.

Hinweis: Weitere Symbole/Aufkleber auf dem Gerät beziehen sich auf die Zertifizierungsanforderungen für andere kommerzielle Bereiche.

Proposition 65

(Abb. 23)

EU V



WARNUNG: Bei einem Eingriff in den Motor erlischt die EU-Typgenehmigung für dieses Produkt.

Produkthaftung

Im Sinne der Produkthaftungsgesetze übernehmen wir keine Haftung für Schäden, die unser Gerät verursacht, wenn...

- das Gerät nicht ordnungsgemäß repariert wurde.
- das Gerät mit Teilen repariert wurde, die nicht vom Hersteller stammen oder vom Hersteller zugelassen sind.
- ein Zubehörteil mit dem Gerät verwendet wird, das nicht vom Hersteller stammt oder vom Hersteller zugelassen ist.
- das Gerät nicht bei einem autorisierten Service Center oder von einem zugelassenen Fachmann repariert wurde.

SICHERHEIT

Sicherheitsdefinitionen

Die nachstehenden Definitionen geben den Schweregrad für jedes Signalwort an.



WARNUNG: Personenschäden.



ACHTUNG: Schäden am Gerät.

Hinweis: Diese Informationen erleichtern die Verwendung des Geräts.

Allgemeine Sicherheitshinweise

- Verwenden Sie das Gerät ordnungsgemäß. Eine falsche Verwendung kann zu schweren bis tödlichen Verletzungen führen. Verwenden Sie das Gerät nur für die in dieser Bedienungsanleitung aufgeführten Arbeiten. Verwenden Sie das Gerät nicht für andere Aufgaben.
- Lesen, verstehen und befolgen Sie die Anweisungen in dieser Bedienungsanleitung. Beachten Sie die Sicherheitssymbole und die Sicherheitshinweise. Die Nichtbeachtung der Anweisungen und Symbole kann zu Verletzungen oder zum Tod führen.
- Werfen Sie diese Bedienungsanleitung nicht weg. Befolgen Sie die Anweisungen für Zusammenbau und Betrieb, und halten Sie Ihr Gerät in gutem Zustand. Befolgen Sie die Anweisungen für die korrekte Installation von Anbaugeräten und Zubehörteilen. Verwenden Sie ausschließlich zugelassene Anbaugeräte und Zubehörteile.
- Verwenden Sie das Gerät nicht, wenn es beschädigt ist. Halten Sie sich an den Wartungsplan. Führen Sie nur diejenigen Wartungsarbeiten aus, die Sie in den Anweisungen in dieser Bedienungsanleitung finden. Alle sonstigen Wartungsarbeiten müssen von einem autorisierten Service Center durchgeführt werden.
- Diese Bedienungsanleitung kann nicht alle Situationen abdecken, die bei der Verwendung des Geräts auftreten können. Seien Sie immer vorsichtig, und arbeiten Sie mit gesundem Menschenverstand. Führen Sie keine Arbeiten mit oder Wartungen am Gerät durch, wenn Sie sich in einer Situation unsicher sind. Wenden Sie sich an einen Produktfachmann, Ihren Fachhändler, Ihre Servicewerkstatt oder ein autorisiertes Service Center für weitere Informationen.
- Ziehen Sie den Zündkerzenstecker ab, bevor Sie das Gerät zusammenbauen, einlagern oder warten.
- Verwenden Sie das Gerät nicht, wenn es nicht mehr der ursprünglichen Spezifikation entspricht. Ändern Sie kein Teil des Geräts ohne Genehmigung des Herstellers. Verwenden Sie nur Teile, die vom Hersteller zugelassen wurden. Eine falsche Wartung kann zu schweren bis tödlichen Verletzungen führen.
- Atmen Sie die Abgase des Motors nicht ein. Das Einatmen der Motorabgase, des Kettenölnebels und von Sägespänen über einen längeren Zeitraum kann ein gesundheitliches Risiko darstellen.
- Das Gerät darf nicht im Innenbereich oder in der Nähe von feuergefährlichen Stoffen gestartet werden. Die Abgase sind heiß und können Funken erzeugen, die einen Brand verursachen können. Wenn keine ausreichende Luftzirkulation gewährleistet ist, können Verletzungen oder Tod durch Ersticken oder Kohlenmonoxid verursacht werden.
- Dieses Gerät erzeugt beim Betrieb ein elektromagnetisches Feld. Das elektromagnetische

Feld kann medizinische Implantate beschädigen. Sprechen Sie vor der Inbetriebnahme des Geräts mit Ihrem Arzt und dem Hersteller des medizinischen Implantats.

- Lassen Sie nicht zu, dass Kinder das Gerät verwenden.
- Erlauben Sie nicht, dass Personen ohne Kenntnis der Anweisungen das Gerät bedienen.
- Stellen Sie sicher, dass Personen mit verminderter physischer oder psychischer Leistungsfähigkeit dieses Gerät nicht unbeobachtet verwenden. Es muss immer ein verantwortlicher Erwachsener anwesend sein.
- Verschließen Sie das Gerät in einem Bereich, zu dem Kinder und nicht autorisierte Personen keinen Zugang haben.
- Das Gerät kann Objekte auswerfen und Verletzungen verursachen. Beachten Sie die Sicherheitshinweise, um das Risiko von Verletzungen oder Tod zu verringern.
- Entfernen Sie sich nicht vom Gerät, wenn der Motor eingeschaltet ist. Halten Sie den Motor an, und stellen Sie sicher, dass sich die Kette nicht dreht.
- Der Bediener des Geräts trägt bei einem Unfall die Verantwortung.
- Überprüfen Sie das Gerät vor dem Gebrauch auf schadhafte Teile.
- Halten Sie sich an nationale und lokale gesetzliche Bestimmungen. Diese können den Betrieb des Geräts unter bestimmten Bedingungen verhindern oder einschränken.

Sicherheitshinweise für den Betrieb

- Der kontinuierliche oder regelmäßige Betrieb des Geräts kann „Weißfingerkrankheit“ oder entsprechende gesundheitliche Probleme durch Vibrationen verursachen. Untersuchen Sie den Zustand Ihrer Hände und Finger, wenn Sie das Gerät dauerhaft oder in regelmäßigen Abständen bedienen. Wenn Ihre Hände oder Finger Verfärbungen aufweisen, diese sich taub anfühlen oder Sie Schmerzen oder Kribbeln spüren, unterbrechen Sie die Arbeit, und suchen Sie sofort einen Arzt auf.
- Stellen Sie sicher, dass das Gerät vollständig zusammengebaut ist, bevor Sie es verwenden.
- Das Gerät kann Objekte umherschleudern und Augenverletzungen verursachen. Tragen Sie immer einen zugelassenen Augenschutz, wenn Sie mit dem Gerät arbeiten.
- Achten Sie darauf, dass sich während der Arbeiten kein Kind unbemerkt dem Gerät nähert.
- Benutzen Sie das Gerät nicht, wenn sich Personen im Arbeitsbereich befinden. Halten Sie das Gerät an, wenn eine Person den Arbeitsbereich betritt.

(Abb. 24)

- Stellen Sie sicher, dass Sie immer die Kontrolle über das Gerät behalten.

- Das Gerät muss grundsätzlich mit beiden Händen betätigt werden. Arbeiten Sie nicht einhändig mit dem Gerät. Durch Betrieb mit nur einer Hand können schwere Verletzungen des Bedieners, anderer Arbeiter, umstehender Personen oder einer Kombination solcher Personen verursacht werden.
- Halten Sie den vorderen Handgriff mit der linken Hand und den hinteren Griff mit der rechten Hand. Halten Sie das Gerät auf der rechten Seite des Körpers.

(Abb. 25)

- Arbeiten Sie nicht mit dem Gerät, wenn Sie müde oder krank sind oder unter Einfluss von Alkohol, Drogen oder Medikamenten stehen.
- Verwenden Sie das Gerät nicht, wenn Sie bei einem Unfall keine Hilfe holen können. Machen Sie Dritte auf Ihre Arbeiten aufmerksam, bevor Sie das Gerät starten.
- Schauen Sie sich immer nach Personen und Tieren im Sicherheitsbereich um, bevor Sie sich mit dem Gerät herumdrehen.
- Entfernen Sie alle unerwünschten Materialien aus dem Arbeitsbereich, bevor Sie beginnen. Wenn die Kette gegen ein Objekt stößt, kann dieses umhergeschleudert werden und Verletzungen oder Schäden verursachen. Unerwünschtes Material kann sich um die Kette wickeln und Schäden verursachen.
- Verwenden Sie das Gerät nicht bei schlechtem Wetter wie Nebel, Regen, starkem Wind, Gewittergefahr oder sonstigen Schlechtwetterbedingungen. Bei schlechtem Wetter könnten sich gefährliche Bedingungen einstellen, z. B. rutschige Bodenflächen.
- Stellen Sie sicher, dass Sie sich beim Arbeiten frei bewegen und stabil stehen können.
- Vermeiden Sie Situationen, in denen Sie fallen könnten, wenn Sie mit dem Gerät arbeiten. Neigen Sie sich nicht bei der Arbeit mit dem Gerät.
- Halten Sie das Gerät immer mit beiden Händen fest. Halten Sie den vorderen Handgriff mit der linken Hand und den hinteren Griff mit der rechten Hand. Halten Sie das Gerät auf der rechten Seite des Körpers.
- Wenn sich der Choke-Hebel beim Motorstart in der Choke-Stellung befindet, beginnt sich die Kette zu drehen.
- Stellen Sie den Motor ab, bevor Sie das Gerät transportieren.
- Legen Sie das Gerät auf keinen Fall ab, solange der Motor läuft.
- Stellen Sie den Motor ab, bevor Sie unerwünschte Materialien vom Gerät entfernen. Lassen Sie die Kette zum Stillstand kommen, bevor Sie oder ein Assistent das Schnittgut entfernen.
- Verwenden Sie dieses Gerät nicht auf einem Baum. Die Verwendung des Geräts auf einem Baum kann zu Verletzungen führen.

(Abb. 26)

- Die Kettenbremse muss beim Start des Geräts aktiviert sein, um das Risiko zu minimieren, dass die Sägekette Sie beim Start berührt.

(Abb. 27)

- Verhindern Sie Rückstöße, Schlittern, Pellen und Abfallen, da dies schwere Verletzungen zur Folge haben kann.
- Beachten Sie sämtliche Sicherheitsvorschriften, um Rückstöße und andere Krafteinwirkungen zu vermeiden, die schwere Verletzungen verursachen können.
- Stellen Sie die Kettenspannung regelmäßig ein, um sicherzustellen, dass die Sägekette nicht durchhängt. Eine unzureichend gespannte Sägekette kann abspringen und schwere oder sogar lebensgefährliche Verletzungen verursachen.
- Bäume dürfen nicht anhand einer falschen Vorgehensweise gefällt werden. Dies kann zu Verletzungen, Beschädigungen von Versorgungsleitungen oder Sachschäden führen.
- Der Bediener sollte sich auf der Bergseite des Geländes aufhalten, da der Baum nach dem Fällen wahrscheinlich bergab rollt oder rutscht.

(Abb. 28)

- Planen Sie einen Fluchtweg, und entfernen Sie Hindernisse, bevor Schnitte gestartet werden. Der Fluchtweg sollte rückwärts und diagonal hinter der erwarteten Falllinie verlaufen.

(Abb. 29)

- Stellen Sie immer den Motor ab, bevor Sie das Gerät zwischen Bäumen transportieren.
- Sorgen Sie dafür, dass beide Füße fest auf dem Boden stehen, und verteilen Sie Ihr Gewicht gleichmäßig.

(Abb. 30)

- Achten Sie stets auf festen Stand, und betreiben Sie das Gerät nur, wenn Sie auf einer festen, sicheren und geraden Oberfläche stehen. Rutschige oder instabile Oberflächen wie Leitern können zum Verlust des Gleichgewichts oder der Kontrolle führen.

(Abb. 31)

Rückschläge, Schlittern, Pellen und Abfallen

Verschiedene Kräfte können eine sichere Kontrolle des Geräts beeinträchtigen.

- **Schlittern** tritt auf, wenn sich die Führungsschiene schnell über das Holz bewegt.
- **Pellen** tritt auf, wenn die Führungsschiene in kurzen Abständen immer wieder ruckartig vom Holz abhebt und sich darauf absenkt.
- **Abfallen** tritt auf, wenn das Gerät nach Ausführen des Schnitts absackt. Dies kann dazu führen, dass die umlaufende Sägekette ein Körperteil oder andere

Gegenstände berührt, was Verletzungen oder Sachschäden verursachen kann.

- **Rückschlag** tritt auf, wenn die Spitze der Führungsschiene einen Gegenstand berührt und sich ruckartig nach hinten, oben oder vorn bewegt. Ein Rückschlag tritt auch auf, wenn das Holz die Sägekette im Schnitt einklemmt. Wenn das Gerät einen Gegenstand im Holz berührt, kann dies zu einem Verlust der Kontrolle über das Gerät führen. (Abb. 32)
 - **Rotierender Rückschlag** kann auftreten, wenn die umlaufende Kette auf einen Gegenstand an der Oberseite der Führungsschiene trifft. Dies kann dazu führen, dass sich die Kette in den Gegenstand eingrät und sofort zum Stillstand kommt. In einer sehr schnellen Gegenreaktion bewegt sich die Führungsschiene nach oben und hinten in Richtung des Bedieners. (Abb. 33)
 - **Rückschlag durch Einklemmen** kann auftreten, wenn die Sägekette im Schnitt plötzlich zum Stillstand kommt. Das Holz klemmt die umlaufende Sägekette entlang der Oberkante der Führungsschiene ein. Der abrupte Kettenhalt bewirkt ein Umkehren der Kettenkraft und führt dazu, dass sich das Gerät in der entgegengesetzten Richtung der Kettendrehung bewegt. Das Gerät bewegt sich nach hinten in Richtung des Bedieners. (Abb. 34)
 - **Einziehen** kann auftreten, wenn die Sägekette plötzlich zum Stillstand kommt, weil sie entlang der Unterkante der Führungsschiene einen Gegenstand im Holz berührt. Durch den abrupten Halt wird das Gerät nach vorn und vom Bediener weg gezogen, was leicht zu einem Verlust der Kontrolle über das Gerät führen kann. (Abb. 35)

Stellen Sie vor der Inbetriebnahme des Geräts sicher, dass Sie diese verschiedenen Kräfte verstehen und wissen, wie Sie ihr Auftreten verhindern können. Siehe *So vermeiden Sie Rückschläge, Schlittern, Pellen und Abfallen auf Seite 27*.

So vermeiden Sie Rückschläge, Schlittern, Pellen und Abfallen

- Achten Sie bei laufendem Motor unbedingt darauf, das Gerät stets fest zu halten. Halten Sie die rechte Hand am hinteren Griff und die linke Hand am vorderen Handgriff. Ergreifen Sie die Griffe jeweils fest mit Daumen und Fingern. Lassen Sie sie während des Gerätebetriebs auf keinen Fall los.
- Sorgen Sie dafür, dass Sie sowohl während des Schnitts als auch nach Herunterfallen des abgesägten Holzstücks die Kontrolle über das Gerät behalten. Lassen Sie nicht zu, dass das Gerät nach dem Schnitt durch sein Gewicht ruckartig nach unten gezogen wird.
- Stellen Sie sicher, dass der Bereich, in dem Sie schneiden, nicht blockiert ist. Achten Sie beim

Arbeiten mit dem Gerät darauf, dass die Spitze der Führungsschiene keinen Baumstamm, Ast oder anderen blockierenden Gegenstand berührt. (Abb. 36)

- Schneiden Sie stets bei hoher Motordrehzahl.
- Lehnen Sie sich beim Sägen nicht zu weit vor, und führen Sie keine Schnitte oberhalb der Schulterhöhe aus. (Abb. 37)
- Befolgen Sie die Anweisungen des Herstellers zum Schärfen und Warten der Sägekette.
- Verwenden Sie als Ersatzteile nur die vom Hersteller angegebenen Führungsschienen und Sägeketten.
- Ein zu großer Tiefenbegrenzerabstand erhöht die Rückschlagneigung der Sägekette!

Persönliche Schutzausrüstung

- Verwenden Sie beim Arbeiten mit dem Gerät stets die geeignete persönliche Schutzausrüstung. Bei einem Unfall kann eine persönliche Schutzausrüstung den Schweregrad von Verletzungen verringern, ohne aber die Unfallgefahr selbst zu beseitigen.
- Tragen Sie keine losen Kleidungsstücke, die sich in der Sägekette verfangen könnten.
- Verwenden Sie einen zugelassenen Schutzhelm.
- Tragen Sie immer einen zugelassenen Gehörschutz beim Arbeiten mit dem Gerät. Lärmbelastung über einen längeren Zeitraum kann zu Hörschäden führen.
- Tragen Sie stets eine Schutzbrille oder einen Gesichtsschutz, um die von weggeschleuderten Gegenständen ausgehende Gefahr zu reduzieren. Das Gerät kann Gegenstände wie Sägespäne und kleine Holzteile mit starker Kraft verschieben. Schwere Verletzungen, einschließlich an den Augen, können die Folge sein.
- Tragen Sie Handschuhe mit Schnittschutz.
- Tragen Sie Hosen mit Schnittschutz.
- Tragen Sie Stiefel mit Schnittschutz, Stahlkappen und rutschfesten Sohlen.
- Sorgen Sie dafür, dass Sie einen Erste-Hilfe-Kasten griffbereit haben.
- Von Schalldämpfer, Führungsschiene und Sägekette oder anderen Quellen können Funken erzeugt werden. Halten Sie zur Verhinderung von Waldbränden immer Feuerlöschwerkzeuge und eine Schaufel bereit.

Schutzvorrichtungen am Gerät

- Benutzen Sie kein Gerät mit defekten Schutzvorrichtungen. Wenn das Gerät beschädigt ist, wenden Sie sich an ein autorisiertes Service Center.

So überprüfen Sie den Stoppschalter

1. Starten Sie den Motor. Siehe *Vor dem Starten des Motors auf Seite 31*.

2. Kontrollieren Sie, dass der Motor anhält, wenn Sie den Schalter auf die Stopp-Position stellen.

So überprüfen Sie die Gashebelsperre

1. Stellen Sie sicher, dass der Gashebel (B) im Leerlauf arretiert ist, wenn Sie die Gashebelsperre (A) lösen. (Abb. 38).
2. Drücken Sie die Gashebelsperre (A) und kontrollieren Sie, ob sie beim Loslassen in die Ausgangsstellung zurückkehrt.
3. Drücken Sie den Gashebel (B) und kontrollieren Sie, ob er beim Loslassen in die Ausgangsstellung zurückkehrt.
4. Starten Sie den Motor, und geben Sie Vollgas.
5. Lassen Sie den Gashebel los, und kontrollieren Sie, ob die Sägekette stehen bleibt.
6. Wenn sich die Sägekette dreht, während der Gashebel auf Leerlauf steht, überprüfen Sie die Einstellschraube für den Leerlauf am Vergaser.

Schutz

Die Schutzvorrichtung verhindert, dass der Anwender von umherfliegenden Gegenständen getroffen wird. Die Schutzvorrichtung verhindert auch ein unbeabsichtigtes Berühren zwischen dem Bediener und der Sägekette.

- Stellen Sie sicher, dass der Schutz für den Betrieb in Verbindung mit dem Gerät zugelassen ist.
- Verwenden Sie das Gerät auf keinen Fall ohne die Schutzvorrichtung.
- Vergewissern Sie sich, dass der Schutz nicht beschädigt ist. Ersetzen Sie den Schutz, wenn dieser verschlissen ist oder Risse aufweist.

Sicherer Umgang mit Kraftstoff

- Starten Sie das Gerät nicht, wenn sich Kraftstoff oder Öl darauf befindet. Entfernen Sie den unerwünschten Kraftstoff bzw. das Öl, und lassen Sie das Gerät trocknen. Entfernen Sie unerwünschten Kraftstoff aus dem Gerät.
- Wechseln Sie sofort die Kleidung, wenn Sie Kraftstoff darauf verschüttet haben.
- Lassen Sie keinen Kraftstoff auf Ihren Körper gelangen, denn dies kann zu Verletzungen führen. Wenn Kraftstoff auf Ihre Haut gelangt, waschen Sie diesen mit Wasser und Seife ab.
- Starten Sie den Motor niemals, wenn Sie Öl oder Kraftstoff auf das Gerät oder auf Ihren Körper verschüttet haben.
- Starten Sie das Gerät nicht, wenn der Motor undicht ist. Überprüfen Sie den Motor regelmäßig auf Undichtigkeiten.
- Gehen Sie vorsichtig mit Kraftstoff um. Kraftstoff ist feuergefährlich, und die Dämpfe sind explosiv und können zu Verletzungen oder sogar zum Tod führen.
- Atmen Sie die Kraftstoffdämpfe nicht ein, denn sie sind gesundheitsschädigend. Achten Sie auf ausreichende Belüftung.

- Rauchen Sie nicht in der Nähe des Kraftstoffs oder des Motors.
- Stellen Sie keine heißen Gegenstände in der Nähe des Kraftstoffs oder Motors ab.
- Füllen Sie keinen Kraftstoff nach, während der Motor läuft.
- Vergewissern Sie sich, dass der Motor abgekühlt ist, bevor Sie Kraftstoff nachfüllen.
- Füllen Sie vor dem Nachfüllen den Tankdeckel langsam, und lassen Sie den Druck vorsichtig entweichen.
- Füllen Sie keinen Kraftstoff in den Motor, wenn Sie sich in einem Innenraum befinden. Eine mangelhafte Luftzirkulation kann zu schweren oder tödlichen Verletzungen durch Erstickung oder eine Kohlenmonoxidvergiftung führen.
- Drehen Sie den Tankdeckel sorgfältig zu, da ansonsten Brandgefahr besteht.
- Stellen Sie das Gerät vor dem Einschalten in einem Abstand von mindestens 3 m von der Stelle auf, wo Sie den Tank befüllt haben.
- Überfüllen Sie den Kraftstofftank nicht.
- Stellen Sie sicher, dass kein Kraftstoff austreten kann, wenn Sie das Gerät oder den Kraftstoffbehälter transportieren.
- Bringen Sie weder das Gerät noch einen Kraftstoffbehälter in Bereiche mit offenem Feuer, Funkenbildung oder Zündflammen. Stellen Sie sicher, dass sich im Lagerbereich keine offene Feuerquelle befindet.
- Verwenden Sie nur zugelassene Behälter, wenn Sie den Kraftstoff transportieren oder einlagern.
- Leeren Sie den Kraftstofftank, bevor Sie das Gerät für längere Zeit einlagern. Entsorgen Sie den Kraftstoff an Orten, die durch die lokalen gesetzlichen Bestimmungen dafür vorgesehen sind.
- Reinigen Sie das Gerät, bevor Sie es für längere Zeit einlagern.
- Ziehen Sie das Zündkerzenkabel ab, bevor Sie das Gerät einlagern, um sicherzustellen, dass der Motor nicht unbeabsichtigt starten kann.
- Lassen Sie mit Ausnahme der unter *WARTUNG auf Seite 33* aufgeführten Aufgaben alle Wartungsarbeiten von einem autorisierten Händler durchführen.
- Stellen Sie sicher, dass die Motorsäge stoppt, wenn der Gashebel losgelassen wird.
- Halten Sie die Griffe trocken, sauber und frei von Öl und Kraftstoffgemisch.
- Halten Sie alle Kappen und Befestigungselemente korrekt angezogen.
- Die Verwendung von nicht zugelassenen Ersatzteilen oder der Ausbau von Sicherheitseinrichtungen kann zu einer Beschädigung des Geräts führen. Außerdem besteht die Gefahr von Verletzungen des Bedieners oder umstehender Personen. Verwenden Sie nur empfohlene Zubehör- und Ersatzteile. Modifizieren Sie Ihr Gerät nicht.
- Um einen sicheren Betrieb mit hoher Leistung zu gewährleisten, halten Sie die Sägekette stets scharf und sauber.
- Befolgen Sie die Anweisungen für das Schmieren und Auswechseln von Zubehöerteilen.
- Untersuchen Sie das Gerät auf beschädigte Teile. Vergewissern Sie sich vor Weiterverwendung des Geräts, dass der beschädigte Schutz oder das beschädigte Teil richtig funktioniert. Untersuchen Sie das Gerät auf defekte oder falsch ausgerichtete Teile sowie auf Teile, die sich nicht frei bewegen. Untersuchen Sie das Gerät auf andere Bedingungen, die den einwandfreien Betrieb beeinträchtigen könnten. Sorgen Sie dafür, dass das Gerät korrekt montiert ist. Sofern in der Bedienungsanleitung nicht anders angegeben, muss ein beschädigter Schutz oder ein anderes beschädigtes Teil von einem autorisierten Händler repariert oder ausgetauscht werden.
- Wenn es nicht in Betrieb ist, bewahren Sie das Gerät außerhalb der Reichweite von Kindern an einem trockenen, hochgelegenen oder abgeschlossenen Ort auf.
- Verwenden Sie bei Transport oder Lagerung des Geräts eine Abdeckung oder ein Gehäuse für die Führungsschiene.
- Verwenden Sie kein Altöl. Altöl stellt eine Gefahr für den Bediener dar und kann Schäden am Gerät und in der Umwelt verursachen.

Sicherheitshinweise für die Wartung

- Ziehen Sie den Zündkerzenstecker ab, bevor Sie mit Wartungsarbeiten am Gerät beginnen, mit Ausnahme von Vergasereinstellungen.

MONTAGE



WARNUNG: Lesen Sie vor der Montage des Geräts das Kapitel über Sicherheit, und machen Sie sich damit vertraut.

So montieren Sie Führungsschiene und Kette

1. Um während der Montage einen unbeabsichtigten Start zu verhindern, entfernen Sie die Zündkappe von der Zündkerze. (Abb. 39) (Abb. 40)
2. Entfernen Sie die Schienenmutter und den Kupplungsdeckel. Entfernen Sie den Transportschutz (A). (Abb. 41)

3. Platzieren Sie die Führungsschiene oberhalb der Schienenbolzen. Bringen Sie die Führungsschiene in ihre hinterste Stellung.
4. Ziehen Sie für eine Motorsäge geeignete Schutzhandschuhe an.
5. Heben Sie die Sägekette über das Kettenantriebsrad, und passen Sie sie in die Nut in der Führungsschiene ein. Beginnen Sie an der Oberkante der Führungsschiene. (Abb. 42)
6. Achten Sie darauf, dass die Schneiden der Sägezähne auf der Oberkante der Führungsschiene nach vorn gerichtet sind.
7. Bringen Sie den Kupplungsdeckel wieder an, und platzieren Sie den Stift der Ketteneinstellung in die Öffnung der Führungsschiene.
8. Stellen Sie sicher, dass die Treibglieder der Sägekette korrekt in das Kettenantriebsrad passen. Stellen Sie auch sicher, dass die Sägekette korrekt in die Nut der Führungsschiene eingreift.
9. Ziehen Sie die Muttern der Führungsschiene mit den Fingern fest.
10. Spannen Sie die Sägekette mit dem Kombischlüssel, indem Sie die Kettenspannschraube im Uhrzeigersinn drehen. Ziehen Sie die Sägekette so weit an, dass sie nicht mehr unterhalb der Führungsschiene durchhängt, jedoch leicht von Hand gedreht werden kann. (Abb. 43) und (Abb. 44)
11. Halten Sie die Spitze der Führungsschiene hoch, während Sie die Schienenmutter mit dem Kombischlüssel anziehen. (Abb. 45)
 - Überprüfen Sie die Kettenspannung nach der Montage einer neuen Sägekette häufig, bis sich die Sägekette eingelaufen hat.
 - Kontrollieren Sie die Kettenspannung in regelmäßigen Abständen. Eine korrekte Kettenspannung führt zu guter Schnittleistung und langer Lebensdauer.

BETRIEB



WARNUNG: Lesen Sie vor der Nutzung des Geräts das Kapitel über Sicherheit, und machen Sie sich damit vertraut.



ACHTUNG: Verwenden Sie kein Benzin mit einer höheren Ethanolkonzentration als 10 % (E10). Dies kann das Gerät beschädigen.

So verwenden Sie den Kraftstoff



ACHTUNG: Dieses Gerät hat einen Zweitaktmotor. Verwenden Sie eine Mischung aus Benzin und Zweitakt-Motoröl. Stellen Sie sicher, dass Sie die korrekte Menge an Öl für das Gemisch verwenden. Ein falsches Verhältnis von Benzin und Öl kann zu Schäden am Motor führen.



ACHTUNG: Verwenden Sie kein Benzin mit einer geringeren Oktanzahl als 90 RON (87 AKI). Dies kann das Gerät beschädigen.

Hinweis: Verwenden Sie Benzin mit einer höheren Oktanzahl, wenn Sie das Gerät häufig und bei kontinuierlich hoher Motordrehzahl verwenden.

Kraftstoffmischungsverhältnis

Das Mischungsverhältnis von Benzin und Zweitaktmotorenöl beträgt 50:1 (2 %).

Benzin	Öl für Zweitaktmotoren
1 US gal	77 ml
1 UK gal	95 ml
5 l	100 ml



ACHTUNG: Verwenden Sie grundsätzlich ein hochwertiges Motoröl, das für luftgekühlte Zweitaktmotoren bestimmt ist. Andere Ölsorten können das Gerät beschädigen.

3. Füllen Sie die gesamte Menge des Zweitaktmotoröls in den Kraftstoffbehälter ein.

4. Schütteln Sie die Kraftstoffmischung, um die Anteile zu vermengen.
5. Fügen Sie dem Kraftstoffbehälter die restliche Benzinmenge hinzu.
6. Schütteln Sie die Kraftstoffmischung, um die Anteile zu vermengen.
7. Füllen Sie den Kraftstofftank des Geräts mit der Kraftstoffmischung. Siehe *Kraftstoffmischungsverhältnis auf Seite 30*.

So stellen Sie die Kraftstoffmischung her

1. Bestimmen Sie die richtige Menge an Kraftstoff und Motoröl (Mischungsverhältnis 50:1). Bereiten Sie keine größere Menge Gemisch zu, als Sie für 30 Tage benötigen. Siehe *Kraftstoffmischungsverhältnis auf Seite 30*.
2. Füllen Sie die halbe Benzinmenge in einen sauberen Kraftstoffbehälter ein, der mit einem Anti-Verschüttventil ausgestattet ist.

So füllen Sie den Kraftstofftank

1. Vergewissern Sie sich, dass Sie die korrekte Kraftstoffmischung in einem Kraftstoffbehälter mit Anti-Verschüttventil hergestellt haben.
2. Wenn sich Kraftstoff auf dem Behälter befindet, entfernen Sie diesen, und lassen Sie den Behälter trocknen.
3. Stellen Sie sicher, dass der Bereich um den Tankverschluss sauber ist.
4. Entfernen Sie den Kraftstofftankdeckel. (Abb. 46)
5. Schütteln Sie den Kraftstoffbehälter, bevor Sie die Kraftstoffmischung in den Kraftstofftank einfüllen.
6. Bringen Sie den Kraftstofftankdeckel wieder an.

So schmieren Sie die Sägekette

Das Gerät verfügt über ein automatisches Schmiersystem. Achten Sie stets darauf, das richtige Kettenöl zu verwenden, und befolgen Sie die Anweisungen.

1. Verwenden Sie ein pflanzliches Sägekettenöl oder ein gewöhnliches Kettenöl.
2. Vergewissern Sie sich, dass der Bereich um den Deckel des Kettenöltanks sauber ist.
3. Entfernen Sie den Deckel des Kettenöltanks.
4. Füllen Sie den Kettenöltank mit dem empfohlenen Kettenöl.
5. Bringen Sie den Deckel des Kettenöltanks wieder an.

Vor dem Starten des Motors

- Untersuchen Sie das Gerät auf fehlende, beschädigte, lose oder abgenutzte Teile.
- Überprüfen Sie die Muttern, Schrauben und Bolzen.
- Überprüfen Sie den Luftfilter.
- Überprüfen Sie die Gashebelsperre und den Gashebel auf korrekte Funktion.
- Überprüfen Sie den Stoppschalter auf korrekte Funktion.
- Untersuchen Sie das Gerät auf austretenden Kraftstoff.
- Überprüfen Sie die Schärfe und Spannung der Sägekette.

So starten Sie bei kaltem Motor

1. Bewegen Sie den vorderen Handschutz nach vorn, um die Kettenbremse zu aktivieren. (Abb. 47)
2. Ziehen Sie den Choke-Hebel heraus und nach oben.
3. Drücken Sie die Kraftstoffeinspritzpumpe 6 Mal. (Abb. 48)
4. Drücken Sie den Gerätekörper mit der linken Hand gegen den Boden. Treten Sie nicht auf das Produkt. Ziehen Sie langsam am Startseilhandgriff, bis Sie einen Widerstand spüren. Ziehen Sie dann mit Kraft am Startseil. (Abb. 49)

Hinweis: Betätigen Sie nicht den Gashebel, während Sie den Motor starten.

5. Ziehen Sie weiter am Startseilhandgriff, bis der Motor anspringt oder versucht zu starten (max. 3 Mal). Wenn der Motor anspringt oder versucht zu starten, drücken Sie den Choke nach unten. (Abb. 50)



ACHTUNG: Ziehen Sie das Startseil nicht bis zum Anschlag heraus. Lassen Sie das Startseil nicht los, wenn es vollständig ausgezogen ist. Lösen Sie das Startseil langsam. Bei Nichtbeachtung dieser Anweisungen kann es zu einer Beschädigung des Motors kommen.

6. Ziehen Sie weiter, bis der Motor anspringt. Warten Sie 60 Sekunden lang nach einem Start, bevor Sie den Gashebel betätigen.
7. Ziehen Sie den Handschutz zurück in Richtung des vorderen Handgriffs nach hinten, um die Kettenbremse freizugeben.
8. Halten Sie den hinteren Griff mit der rechten Hand und den vorderen Handgriff mit der linken Hand.
9. Beginnen Sie mit dem Betrieb.

So starten Sie einen warmen Motor

1. Bewegen Sie den vorderen Handschutz nach vorn, um die Kettenbremse zu aktivieren. (Abb. 51)
2. Ziehen Sie den Choke-Hebel heraus und nach oben.
3. Drücken Sie die Kraftstoffeinspritzpumpe 6 Mal. (Abb. 52)
4. Drücken Sie den Choke-Hebel nach unten. (Abb. 53)
5. Drücken Sie den Gerätekörper mit der linken Hand gegen den Boden. Treten Sie nicht auf das Produkt. Ziehen Sie langsam am Startseilhandgriff, bis Sie einen Widerstand spüren. Ziehen Sie dann mit Kraft am Startseil. (Abb. 54)



ACHTUNG: Ziehen Sie das Startseil nicht bis zum Anschlag heraus. Lassen Sie das Startseil nicht los, wenn es vollständig ausgezogen ist. Lösen Sie das Startseil langsam. Diese Anweisungen müssen befolgt werden, um eine Beschädigung des Motors zu verhindern.

Hinweis: Betätigen Sie nicht den Gashebel, während Sie den Motor starten.

6. Ziehen Sie weiter am Startseilhandgriff, bis der Motor anspringt oder versucht zu starten (max. 3 Mal). Warten Sie 60 Sekunden lang nach einem Start, bevor Sie den Gashebel betätigen.

- Ziehen Sie den Handschutz in Richtung des vorderen Handgriffs nach hinten, um die Kettenbremse freizugeben.
- Halten Sie den hinteren Griff mit der rechten Hand und den vorderen Handgriff mit der linken Hand.
- Beginnen Sie mit dem Betrieb.

So starten Sie den Motor, wenn der Kraftstoff zu heiß ist

Wenn das nicht Gerät startet, kann dies darauf zurückzuführen sein, dass der Kraftstoff zu heiß ist.

Hinweis: Verwenden Sie stets neuen Kraftstoff, und verringern Sie bei warmem Wetter die Betriebszeit.

- Stellen Sie das Gerät an einem kühlen Ort ab, wo es keiner direkten Sonneneinstrahlung ausgesetzt ist.
- Lassen Sie das Gerät mindestens 20 Minuten lang abkühlen.
- Halten Sie die Kraftstoffpumpe wiederholt 10-15 Sekunden lang gedrückt.
- Gehen Sie wie beim Starten eines kalten Motors vor. Siehe *So starten Sie bei kaltem Motor auf Seite 31*.

So stoppen Sie das Gerät

- Drücken Sie den Stoppschalter, um den Motor abzustellen.

Hinweis: Der Stoppschalter kehrt dann automatisch wieder in seine Ausgangsstellung zurück.

So verwenden Sie eine Rindenstütze

Die Rindenstütze verhindert Rückschläge und hält das Holz beim Schneiden. Bei der Rindenstütze handelt es sich um ein Gelenk zwischen dem Motor und der Führungsschiene.

- Platzieren Sie das untere Ende der Rindenstütze auf der richtigen Brechmaßbreite.
- Während Sie den hinteren Griff mit der rechten Hand anheben, drücken Sie mit der linken Hand gegen den vorderen Handgriff.
- Sägen Sie, bis Sie die richtige Brechmaßbreite hergestellt haben.

Hinweis: Das Brechmaß muss eine einheitliche Stärke besitzen.

- Sägen Sie mehr als die Hälfte des Durchmessers, und setzen Sie dann den Fällkeil in den Sägeschnitt.

So fällen Sie einen Baum

- Entfernen Sie Schmutz, Steine, lose Rinde, Nägel, Klammern und Draht vom Baum.
- Schneiden Sie eine Kerbe von 1/3 des Stammdurchmessers im rechten Winkel zur Fallrichtung. (Abb. 55)

- Stellen Sie den unteren horizontalen Kerbeschnitt her. Dies verhindert ein Einklemmen der Sägekette oder der Führungsschiene, wenn die zweite Kerbe geschnitten wird.
- Stellen Sie den Fällschnitt (X) mindestens 50 mm höher als den horizontalen Kerbeschnitt her. Halten Sie den Fällschnitt parallel zum horizontalen Kerbeschnitt, damit ausreichend Holz für das Brechmaß verbleibt. Sägen Sie nicht durch das Brechmaß. Das Brechmaßholz verhindert, dass sich der Baumstamm verdreht und in die falsche Richtung fällt. (Abb. 56) und (Abb. 57)
- Der Baum beginnt zu fallen, wenn sich der Fällschnitt dem Brechmaß nähert. Stellen Sie sicher, dass der Baum in der richtigen Richtung fallen kann und nicht nach hinten schwankt und die Sägekette einklemmt. Um dies zu verhindern, beenden Sie den Fällschnitt, bevor er vollständig gesägt worden ist. Verwenden Sie Keile aus Holz, Kunststoff oder Aluminium, um den Sägeschnitt zu verbreitern und den Baum entlang der erforderlichen Linie fallen zu lassen. (Abb. 58)
- Wenn der Baum zu fallen beginnt, entfernen Sie das Gerät aus dem Schnitt. Stellen Sie den Motor ab, legen Sie das Gerät auf den Boden, und entfernen Sie sich auf dem vorgesehenen Fluchtweg. Lassen Sie Vorsicht walten, da Äste von oben herabfallen können, und achten Sie darauf, nicht auszurutschen. (Abb. 59)

So entasten Sie einen Baum

- Verwenden Sie größere Äste, um den Baumstamm vom Boden fernzuhalten.
- Entfernen Sie kleine Äste mit einem einzigen Schnitt. (Abb. 60)
- Schneiden Sie Äste, die unter Spannung stehen, von unten nach oben durch, um ein Einklemmen der Sägekette oder der Führungsschiene zu verhindern.

So zersägen Sie einen Baumstamm



ACHTUNG: Achten Sie darauf, dass die Sägekette nicht den Boden berührt.

- Wenn der Stamm entlang seiner gesamten Länge abgestützt ist, zersägen Sie ihn von oben aus. (Abb. 61)
- Wenn der Stamm an einem Ende abgestützt ist, durchsägen Sie 1/3 des Durchmessers von unterhalb des Stamms aus.
- Wenn der Stamm an beiden Enden abgestützt ist, durchsägen Sie 1/3 des Durchmessers von oben aus. Durchsägen Sie die restlichen 2/3 des Durchmessers von unten aus, bis Sie auf den ersten Schnitt treffen. (Abb. 62)
- Wenn Sie einen auf einem Hang liegenden Stamm zersägen, halten Sie sich stets bergauf vom Stamm auf. Durchsägen Sie den Stamm, während Sie die

vollständige Kontrolle über das Gerät behalten.
Geben Sie den Schnittdruck kurz vor dem Ende des Schnittes frei, während Sie den hinteren Griff und

den vorderen Handgriff weiterhin fest halten. (Abb. 63)

WARTUNG



WARNUNG: Lesen Sie vor dem Reinigen, Reparieren oder Warten des Geräts das Kapitel über Sicherheit, und machen Sie sich damit vertraut.

Wartungsplan

Achten Sie darauf, den Wartungsplan einzuhalten. Die Wartungsintervalle werden anhand der täglichen Nutzung des Gerätes berechnet. Wenn Sie nicht jeden Tag mit dem Gerät arbeiten, gelten andere Intervalle. Führen Sie nur diejenigen Wartungsarbeiten aus, die Sie in den Anweisungen in dieser Bedienungsanleitung finden. Wenden Sie sich bezüglich anderer Wartungsarbeiten, die in dieser Betriebsanleitung nicht aufgeführt sind, an ein autorisiertes Service Center.

Tägliche Wartung

- Reinigen Sie die Außenflächen.
- Vergewissern Sie sich, dass die Gashebelsperre und der Gashebel ordnungsgemäß funktionieren.
- Reinigen Sie die Kettenbremse und stellen Sie sicher, dass die Bremse ordnungsgemäß funktioniert.
- Untersuchen Sie den Kettenfänger auf Beschädigung. Ersetzen Sie den Kettenfänger bei Beschädigung.
- Drehen Sie die Führungsschiene täglich, um für gleichmäßigeren Verschleiß zu sorgen.
- Stellen Sie sicher, dass die Schmierbohrung in der Führungsschiene nicht verstopft ist.
- Entfernen Sie Sägestaub und anderes unerwünschtes Material unter der Abdeckung des Kettenrads.
- Reinigen Sie die Nut der Führungsschiene. (Abb. 64)
- Stellen Sie sicher, dass die Führungsschiene und die Sägekette ausreichend mit Öl versorgt werden.
- Untersuchen Sie die Sägekette auf:
 - einen Riss an Nieten und Gliedern.
 - unregelmäßig abgenutzte Nieten und Glieder.
 - korrekte Spannung.
 - Grate auf den Führungszähne der Kette.

Falls erforderlich, ersetzen Sie die Sägekette.

- Schärfen Sie die Sägekette. Siehe *So schärfen Sie die Sägekette auf Seite 34*.
- Kontrollieren Sie das Kettenantriebsrad auf übermäßigen Verschleiß, und ersetzen Sie es bei Bedarf. (Abb. 65)
- Reinigen Sie den Lufteinlass des Motorgehäuses.

- Vergewissern Sie sich, dass alle Muttern und Schrauben fest angezogen sind.
- Vergewissern Sie sich, dass der Netzschalter ordnungsgemäß funktioniert.

Wöchentliche Wartung

- Vergewissern Sie sich, dass das Kühlsystem ordnungsgemäß funktioniert.
- Stellen Sie sicher, dass Startvorrichtung, Startseil und Rückstellfeder ordnungsgemäß funktionieren.
- Stellen Sie sicher, dass die Vibrationsdämpfer nicht beschädigt sind.

(Abb. 66)

- Feilen Sie alle Grate an den Kanten der Führungsschiene plan.
- Reinigen Sie den Funkenschutz des Schalldämpfers, oder tauschen Sie ihn aus.

(Abb. 67)

- Reinigen Sie die Außenflächen des Vergasers und die angrenzenden Bereiche.
- Reinigen Sie den Luftfilter. Montieren Sie einen neuen Luftfilter, wenn er beschädigt oder zu stark verschmutzt ist, sodass er nicht mehr vollständig gereinigt werden kann. Siehe *Reinigen des Luftfilters auf Seite 34* für weitere Informationen.

Monatliche Wartung

- Kontrollieren Sie das Bremsband an der Kettenbremse auf Verschleiß. Wechseln Sie das Bremsband aus, wenn seine Stärke an der am stärksten verschlissenen Stelle weniger als 0,6 mm beträgt.

(Abb. 68)

- Kontrollieren Sie Kupplungszentrum, Kupplungstrommel und Kupplungsfeder auf Verschleiß.
- Reinigen Sie die Zündkerze. Stellen Sie sicher, dass der Elektrodenabstand korrekt ist.

(Abb. 69)

- Reinigen Sie die Außenflächen des Vergasers und die angrenzenden Bereiche.
- Kontrollieren Sie den Kraftstofffilter und den Kraftstoffschlauch. Tauschen Sie sie bei Bedarf aus.
- Leeren Sie den Kraftstofftank.
- Leeren Sie den Öltank.
- Kontrollieren Sie alle Kabel und Anschlüsse.

Jährliche Wartung

- Überprüfen Sie die Zündkerze.

- Reinigen Sie die Außenflächen des Vergasers und die angrenzenden Bereiche.
- Reinigen Sie das Kühlsystem.
- Überprüfen Sie den Funkenschutz.
- Überprüfen Sie den Kraftstofffilter.
- Untersuchen Sie den Kraftstoffschlauch auf Beschädigung.
- Kontrollieren Sie alle Kabel und Anschlüsse.

- a) Vergewissern Sie sich, dass die Leerlaufdrehzahl richtig eingestellt ist.
 - b) Vergewissern Sie sich, dass das Kraftstoffgemisch korrekt ist.
 - c) Vergewissern Sie sich, dass der Luftfilter sauber ist.
2. Reinigen Sie die Zündkerze, wenn sie schmutzig ist. Stellen Sie sicher, dass der Elektrodenabstand korrekt ist. (Abb. 71)
 3. Tauschen Sie die Zündkerze bei Bedarf aus.

Periodische Wartung

- Nach jeweils 50 Betriebsstunden muss der Schalldämpfer durch ein autorisiertes Service Center instandgesetzt bzw. ausgetauscht werden.
- Die Zündkerze muss gewartet werden, wenn:
 - Die Leistung des Motors zu niedrig ist.
 - Der Motor sich schwer starten lässt.
 - Der Motor nicht ordnungsgemäß im Leerlauf funktioniert.
- Kontrollieren Sie die Schmierung der Sägekette bei jedem Nachfüllen von Kraftstoff. Siehe *So prüfen Sie die Schmierung der Sägekette auf Seite 35.*

Reinigen des Luftfilters

1. Nehmen Sie Luftfilterdeckel und Luftfilter ab. (Abb. 72)
2. Reinigen Sie den Luftfilter mit warmer Seifenlauge. Achten Sie darauf, dass der Luftfilter trocken ist, bevor Sie ihn wieder einbauen.
3. Tauschen Sie den Luftfilter aus, falls er für eine Reinigung zu stark verschmutzt ist. Tauschen Sie einen beschädigten Luftfilter unbedingt aus.

So stellen Sie die Leerlaufdrehzahl ein

Stellen Sie sicher, dass der Luftfilter sauber ist und der Luftfilterdeckel befestigt wurde, bevor Sie die Leerlaufdrehzahl einstellen.

1. Drehen Sie die mit „T“ markierte Stellschraube für den Leerlauf im Uhrzeigersinn, bis sich die Sägekette zu drehen beginnt.
2. Drehen Sie die mit „T“ markierte Stellschraube für den Leerlauf entgegen dem Uhrzeigersinn, bis die Sägekette zum Stillstand kommt.
3. Die Leerlaufdrehzahl muss niedriger sein als die Geschwindigkeit, bei der sich die Sägekette zu drehen beginnt. Die Leerlaufdrehzahl ist richtig eingestellt, wenn der Motor in allen Stellungen gleichmäßig läuft.

So schärfen Sie die Sägekette

Das Schneidwerkzeug

Das sägende Element einer Sägekette, das Schneidglied, besteht aus einem Schneidezahn (A) und einem Tiefenbegrenzer (B). Die Schnitttiefe ergibt sich aus der Tiefenbegrenzereinstellung (C), wobei es sich um den Höhenunterschied zwischen Schneidezahn und Tiefenbegrenzer handelt.

(Abb. 73)

Beim Schärfen von Schneidezähnen sind vier Werte zu berücksichtigen.

- Schärfwinkel.

(Abb. 74)

- Schnittwinkel.

(Abb. 75)

- Schärfposition.

(Abb. 76)

- Durchmesser der Rundfeile.

(Abb. 77)

So schärfen Sie die Schneidezähne

Verwenden Sie eine Rundfeile und eine Feilenlehre zum Schärfen der Schneidezähne. Siehe *Kombinationen von Sägekettenfeile und Sägekette auf Seite 38* für weitere Informationen zu den empfohlenen Maßen von Feile und Feilenlehre für die an Ihrem Gerät montierte Sägekette.

(Abb. 78)

So warten Sie den Funkenschutz

- Reinigen Sie den Funkenschutz mit einer Drahtbürste. (Abb. 70)

So warten Sie die Zündkerze



ACHTUNG: Verwenden Sie die empfohlene Zündkerze. Stellen Sie sicher, dass ein Ersatzteil mit dem vom Hersteller gelieferten Teil identisch ist. Eine falsche Zündkerze kann zu Schäden am Gerät führen.

1. Untersuchen Sie die Zündkerze auf unerwünschtes Material, wenn sich das Gerät nur schwer starten und betreiben lässt. So verringern Sie die Gefahr von unerwünschtem Material an den Elektroden der Zündkerze:

1. Stellen Sie sicher, dass die Sägekette die richtige Spannung besitzt. Eine falsch gespannte Kette bewegt sich auf eine Seite und wird nicht korrekt geschärft.

2. Verwenden Sie die Feile an allen Zähnen auf einer Seite. Verwenden Sie dann die Feile an den Schneidezähnen von der Innenseite aus, und verringern Sie den Druck in umgekehrter Richtung.
3. Drehen Sie das Gerät auf die entgegengesetzte Seite, und verwenden Sie die Feile an den Zähnen.
4. Verwenden Sie die Feile so, dass alle Zähne die gleiche Länge haben. Tauschen Sie eine abgenutzte Sägekette aus, wenn die Länge der Schneidezähne auf 4 mm abgenommen hat.

So justieren Sie die Tiefenbegrenzereinstellung

Schärfen Sie zuerst die Schneidezähne, bevor Sie den Tiefenbegrenzer justieren. Siehe *So schärfen Sie die Schneidezähne auf Seite 34*. Beim Schärfen des Schneidezahns wird die Tiefenbegrenzung (= Schnitttiefe) verringert. Um die maximale Schneidleistung beizubehalten, muss die Tiefenbegrenzernase auf die empfohlene Höhe gesenkt werden. Siehe *Kombinationen von Sägekettenfeile und Sägekette auf Seite 38* zur Ermittlung der korrekten Tiefenbegrenzereinstellung für die Sägekette Ihrer Motorsäge.

(Abb. 79)
(Abb. 80)

Hinweis: Diese Empfehlung setzt voraus, dass die Länge der Schneidezähne nicht unnormal verkürzt worden ist.

Verwenden Sie eine Flachfeile und eine Schärfflehre zum Einstellen der Tiefenlehre.

1. Setzen Sie die Schärfflehre über die Sägekette. Informationen über die Verwendung der Schärfflehre sind auf der Verpackung angegeben.
2. Mit der Flachfeile den überschüssigen Teil der Tiefenbegrenzernase abfeilen. Der Tiefenbegrenzerabstand ist korrekt, wenn beim Feilen über die Lehre kein Widerstand mehr zu spüren ist.

So spannen Sie die Sägekette

Hinweis: Überprüfen Sie die Spannung einer neuen Sägekette während der Einlaufzeit häufig.

1. Lösen Sie die Muttern der Führungsschiene, die die Kettenradabdeckung halten. Benutzen Sie dazu den Kombischlüssel. (Abb. 81)

2. Ziehen Sie die Muttern der Führungsschiene dann so fest wie möglich von Hand an.
3. Heben Sie die Oberseite der Führungsschiene an, und dehnen Sie die Sägekette durch Drehen der Kettenspannschraube aus. Benutzen Sie dazu den Kombischlüssel. Spannen Sie die Sägekette, bis sie an der Unterseite der Führungsschiene nicht mehr durchhängt. (Abb. 82)
4. Ziehen Sie die Muttern der Führungsschiene mit dem Kombischlüssel an, und heben Sie gleichzeitig die Führungsschienenspitze an. (Abb. 83)
5. Stellen Sie sicher, dass die Sägekette leicht von Hand gezogen werden kann und nicht durchhängt. (Abb. 84)

So schmieren Sie die Schneidaurüstung

So prüfen Sie die Schmierung der Sägekette

Überprüfen Sie die Schmierung der Sägekette bei jedem Nachfüllen von Kraftstoff.

1. Starten Sie das Gerät, und lassen Sie es mit 3/4-Geschwindigkeit laufen. Richten Sie die Spitze der Führungsschiene auf eine hellfarbige Oberfläche in einem Abstand von etwa 20 cm.
2. Nach einer Laufzeit von 1 Minute erscheint eine Öllinie auf der hellen Oberfläche.
3. Wenn nach 1 Minute keine Öllinie sichtbar ist, reinigen Sie die Ölleitung in der Führungsschiene. Reinigen Sie die Nut in der Kante der Führungsschiene. Stellen Sie sicher, dass sich der Umlenkstern der Führungsschiene frei dreht und es keine Verstopfungen in der Schmierbohrung gibt. Reinigen und schmieren Sie den Umlenkstern.
4. Starten Sie das Gerät, und lassen Sie es mit 3/4-Geschwindigkeit laufen. Richten Sie die Spitze der Schiene auf eine hellfarbige Oberfläche in einem Abstand von etwa 20 cm.
5. Nach einer Laufzeit von 1 Minute erscheint eine Öllinie auf der hellen Oberfläche.
6. Wenn nach 1 Minute keine Öllinie sichtbar ist, wenden Sie sich an Ihren autorisierten Händler.

TRANSPORT

- Leeren Sie Kraftstoff- und Kettenöltank vor einem Transport des Geräts. Entsorgen Sie die verbrauchten Flüssigkeiten vorschriftsmäßig.
- Bringen Sie während des Transports die Abdeckung der Führungsschiene an der Schneidaurüstung an. Dies verhindert, dass Personen die scharfe

Sägekette versehentlich berühren. Auch eine nicht in Betrieb befindliche Sägekette kann Verletzungen verursachen, wenn Sie oder andere Personen die scharfe Sägekette berühren.

- Entfernen Sie die Zündkappe von der Zündkerze, und aktivieren Sie die Kettenbremse vor dem Transport.
- Sorgen Sie dafür, dass sich das Gerät während des Transports nicht bewegen kann.

LAGERUNG

- Lagern Sie das Gerät grundsätzlich an einem sicheren Ort, wenn es nicht in Betrieb ist. Undichtigkeiten und Dämpfe, die aus dem Gerät entweichen, können mit Funken oder offenen Flammen in Kontakt kommen, die beispielsweise von Elektrogeräten, elektrischen Mähern, Relais/Schaltern und Boilern erzeugt werden.
- Bewahren Sie Kraftstoff stets in einem zugelassenen Behälter auf.
- Leeren Sie den Kraftstoff- und Kettenöltank, wenn das Gerät über einen längeren Zeitraum hinweg eingelagert werden soll. Entsorgen Sie die verbrauchten Flüssigkeiten vorschriftsmäßig.
- Während der Lagerung muss die Abdeckung an der Führungsschiene angebracht sein. Dies verhindert, dass Personen die scharfe Sägekette versehentlich berühren. Auch eine nicht in Betrieb befindliche Sägekette kann Verletzungen verursachen, wenn Sie oder andere Personen die scharfe Sägekette berühren.
- Entfernen Sie die Zündkappe von der Zündkerze, und aktivieren Sie die Kettenbremse vor der Lagerung.

TECHNISCHE DATEN

	Einheit	130 (H13038HV)	135 Mark II (H13038HV)
Technische Daten des Motors			
Hubraum	cm ³	38	38
Zündkerze	—	NGK BPMR 7A	NGK BPMR 7A
Elektrodenabstand	mm	0,5	0,5
Kraftstofftankinhalt	cm ³	350	350
Leerlaufdrehzahl	min ⁻¹	2800-3200	2800-3200
Ausgangsleistung bei 9000 min ⁻¹	kW	1,5	1,6
Emissions-Dauerhaltbarkeitsperiode	h	125	125
Lärm- und Vibrationsdaten			
Äquivalenter Vibrationspegel (ahv, eq) Handgriff links ⁶	m/s ²	3,72	3,72
Äquivalenter Vibrationspegel (ahv, eq) Handgriff rechts ⁷	m/s ²	5,5	5,5
Schalleistungspegel, garantiert [L _{WA}] ⁸	dB(A)	116	116
Gemessener Schalleistungspegel ⁹	dB(A)	114	114

⁶ Der äquivalente Vibrationspegel wird berechnet als zeitgewichtete energetische Summe der Vibrationspegel bei verschiedenen Betriebsarten. Berichten zufolge liegt der äquivalente Vibrationspegel normalerweise bei einer Ausbreitungsklasse (Standardabweichung) von 1,5 m/s².

⁷ Der äquivalente Vibrationspegel wird berechnet als zeitgewichtete energetische Summe der Vibrationspegel bei verschiedenen Betriebsarten. Berichten zufolge liegt der äquivalente Vibrationspegel normalerweise bei einer Ausbreitungsklasse (Standardabweichung) von 1,5 m/s².

⁸ Umweltbelastende Geräuschemissionen, gemessen als Schalleistung (L_{WA}).

⁹ Umweltbelastende Geräuschemissionen, gemessen als Schalleistung (L_{WA}).

	Einheit	130 (H13038HV)	135 Mark II (H13038HV)
Schalldruckpegel am Ohr des Bedieners ¹⁰	dB(A)	102	102
Produktmaße			
Gewicht (ohne Schneidrüstung)	kg	4,68	4,68
Öltankinhalt	cm ³	260	260
Kraftstoff- und Schmiersystem			
Fördermenge der Ölpumpe bei 9000 min ⁻¹	ml/min	9	9
Ölpumpe, Typ	—	Automatisch	Automatisch
Sägekette und Führungsschiene			
Standardlänge der Führungsschiene	cm	35-40	35-40
Empfohlene Länge der Führungsschiene	cm	35-40	35-40
Effektive Schnittlänge	cm	33-38	33-38
Maximale Geschwindigkeit der Sägekette	m/s	22,3	22,3
Sägekettenteilung	mm	9,52	9,52
Dicke der Treibglieder (Kettenstärke)	mm	1,3	1,3
Kettenantriebsrad-Ausführung	—	Stirnrad	Stirnrad
Anzahl der Kettenantriebsradzähne	—	6	6

ZUBEHÖR

Kombinationen von Führungsschiene und Sägekette

Führungsschiene				Sägekette	
Länge	Kettenteilung	Kettenstärke	Max. Anzahl Zähne des Umlenksterns	Typ	Anzahl der Treibglieder
14 Zoll	3/8 Zoll	0,050 Zoll	7T	Husqvarna H37	52
16 Zoll				Husqvarna S93G	56

¹⁰ Der äquivalente Schalldruckpegel wird berechnet als zeitgewichtete energetische Summe der Schalldruckpegel bei verschiedenen Betriebsarten. Die typische Ausbreitungsklasse für den äquivalenten Schalldruckpegel ist eine Standardabweichung von 2,5 dB(A).

Kombinationen von Sägekettenfeile und Sägekette

Kettentyp	Rundfeilen- größe	Seitenplat- tenwinkel	Winkel der oberen Platte	Feilenfüh- rungswin- kel	Tiefenbe- grenzerein- stellung	Tiefenbe- grenzer Teile-Nr.	Feilenlehre Teile-Nr.
H37, S93G	5/32 Zoll 4,0 mm	80°	30°	0°	0,025/0,65	5056981-03	5052437-01

INHALT DER EU-KONFORMITÄTSERKLÄRUNG

Wir, Husqvarna AB, SE 561 82 Huskvarna, SCHWEDEN, erklären in alleiniger Verantwortung, dass das Gerät Folgendem genügt:

Beschreibung	Benzinmotorsäge
Marke	Husqvarna
Plattform/Typ/Modell	Plattform H13038HV, Modell 135 Mark II
Charge	Seriennummer ab Baujahr 2018

angegeben, für alle Fertigungsstandorte und Ursprungsländer, wie auf dem Gerät angegeben.

Diese Motorsäge entspricht dem Geräteexemplar, das die EG-Typenprüfung durchlaufen hat.

Es erfüllt die folgenden EU-Vorschriften und -Richtlinien:

Richtlinie/Verordnung	Beschreibung
2006/42/EG	„Über Maschinen“
2014/30/EG	EMV-Richtlinie
2000/14/EG	„über umweltbelastende Geräuschemissionen“
2011/65/EG	„Beschränkung der Verwendung bestimmter gefährlicher Stoffe“

Harmonisierte Normen und/oder technische Spezifikationen gelten wie folgt: EN ISO 12100, EN ISO 11681-1, CISPR 12, ISO 14982

Die in Abschnitt „Technische Daten“ in diesem Handbuch und in der signierten EU-Konformitätserklärung angegebenen Schallwerte entsprechen EU-Richtlinie 2000/14/EG, Anhang V.

Der TÜV Rheinland LGA-Products GmbH, Angemeldete Prüfstelle für Maschinen (angemeldet unter 0197), Tillystraße 2, 90431 Nürnberg, Deutschland, hat eine EG-Typenprüfung gemäß 2006/42/EG, Artikel 12, Punkt 3b durchgeführt.

Das Typenprüfungszertifikat gemäß Anhang IX gilt, wie auf der unterzeichneten Konformitätserklärung

Sommaire

INTRODUCTION.....	39	TRANSPORT.....	50
SÉCURITÉ.....	40	ENTREPOSAGE.....	50
MONTAGE.....	44	CARACTÉRISTIQUES TECHNIQUES.....	51
FONCTIONNEMENT.....	45	ACCESSOIRES.....	52
ENTRETIEN.....	47	CONTENU DE LA DÉCLARATION DE CONFORMITÉ DE LA CE.....	52

INTRODUCTION

Manuel de l'opérateur

La langue d'origine du présent manuel d'utilisation est l'anglais. Les manuels d'utilisation disponibles dans d'autres langues sont des traductions de l'anglais.

Aperçu

(Fig. 1)

1. Capot de cylindre
2. Pompe à carburant
3. Plaque de numéro de série et de produit
4. Autocollant d'information et d'avertissement
5. Bouton d'arrêt
6. Poignée arrière
7. Réservoir de carburant
8. Poignée du câble du démarreur
9. Corps du lanceur
10. Marque d'abattage
11. Réservoir d'huile pour chaîne
12. Poignée avant
13. Frein de chaîne avec arceau protecteur
14. Silencieux
15. Chaîne
16. Pignon avant
17. Guide-chaîne
18. Vis du tendeur de chaîne (130)
19. Vis du tendeur de chaîne (135 Mark II)
20. Patin d'ébranchage
21. Attrape-chaîne
22. Carter d'embrayage
23. Protection de la main droite
24. Gâchette d'accélération
25. Blocage de la gâchette d'accélération
26. Fourreau du guide-chaîne
27. Outil multi-usage
28. Manuel de l'opérateur

Symboles concernant le produit

(Fig. 2) Avertissement

(Fig. 3) Veuillez prendre connaissance de ce manuel

(Fig. 4) Utilisez un casque homologué, des protège-oreilles et des protections pour les yeux

(Fig. 5) Utilisez des gants de protection homologués

(Fig. 6) Le produit est conforme aux directives CE en vigueur

(Fig. 7) Niveau de puissance sonore

(Fig. 8) Frein de chaîne, desserré (gauche). Frein de chaîne, serré (droite)

(Fig. 9) Starter

(Fig. 10) Pompe à carburant

(Fig. 11) Remplissage d'essence

(Fig. 12) Remplissage d'huile de chaîne

(Fig. 13) Ce produit est conforme aux directives EAC en vigueur

(Fig. 14) Ce produit est conforme aux directives ukrainiennes en vigueur

(Fig. 15) Ce produit est conforme aux directives coréennes en vigueur

(Fig. 16) Ce produit est conforme aux directives japonaises en vigueur

(Fig. 17) Niveau sonore

(Fig. 18) Tenez l'appareil correctement, avec les deux mains

(Fig. 19) Ne l'utilisez pas d'une seule main

(Fig. 20) Évitez tout contact avec la pointe du guide-chaîne

(Fig. 21) Attention aux rebonds

(Fig. 22) Ce produit est conforme aux directives australiennes et néo-zélandaises en matière de compatibilité électromagnétique.

Proposition 65

(Fig. 23)

UE V



AVERTISSEMENT: toute altération du moteur a pour effet d'annuler l'homologation de type UE de ce produit.

Responsabilité

Conformément à la loi sur la responsabilité du fait des produits, nous déclinons toute responsabilité pour tout dommage causé par notre produit si :

- le produit n'est pas correctement réparé ;
- le produit est réparé avec des pièces qui ne proviennent pas du fabricant ou qui ne sont pas homologuées par le fabricant ;
- le produit est équipé d'un accessoire qui ne provient pas du fabricant ou qui n'est pas homologué par le fabricant.
- le produit n'est pas réparé par un centre d'entretien agréé ou par une autorité homologuée.

SÉCURITÉ

Définitions de sécurité

Les définitions ci-dessous indiquent le niveau de gravité pour chaque mention d'avertissement.



AVERTISSEMENT: Blessures aux personnes.



REMARQUE: Dommages au produit.

Remarque: Cette information facilite l'utilisation du produit.

Instructions générales de sécurité

- Utilisez le produit correctement. Une utilisation inappropriée peut causer des blessures graves, voire mortelles. Utilisez uniquement le produit pour les tâches décrites dans le présent manuel. N'utilisez pas ce produit pour d'autres travaux.
- Assurez-vous de lire, de comprendre et de respecter les instructions de ce manuel. Respectez les symboles et les instructions de sécurité. Le non-respect des instructions et des symboles par l'opérateur peut causer des blessures graves, voire mortelles, ou des dommages.
- Ne jetez pas ce manuel. Utilisez les instructions pour assembler, utiliser et conserver votre produit en bon état. Utilisez les instructions pour l'installation appropriée des équipements et accessoires. Utilisez

uniquement des équipements et accessoires homologués.

- N'utilisez pas de produit endommagé. Respectez le schéma d'entretien. Effectuez uniquement les travaux d'entretien dont les instructions sont comprises dans ce manuel. Tous les autres travaux d'entretien doivent être effectués par un centre d'entretien agréé.
- Ce manuel ne peut pas inclure toutes les situations qui peuvent se produire lorsque vous utilisez le produit. Soyez prudent et utilisez votre bon sens. N'utilisez pas ou n'effectuez pas de travaux d'entretien sur le produit si vous n'êtes pas sûr de la situation. Contactez un spécialiste du produit, votre revendeur, votre agent d'entretien ou centre d'entretien agréé pour plus d'informations.
- Déconnectez la bougie avant d'assembler, de stocker ou d'effectuer l'entretien du produit.
- N'utilisez pas le produit si ses caractéristiques initiales ont été changées. Ne remplacez pas une pièce du produit sans l'approbation du fabricant. Utilisez uniquement les pièces qui sont approuvées par le fabricant. Un entretien inapproprié peut causer des blessures graves, voire mortelles.
- Ne respirez pas les fumées provenant du moteur. Une inhalation prolongée des gaz d'échappement du moteur, du brouillard d'huile de chaîne et des copeaux peut constituer un danger pour la santé.
- Ne démarrez pas le produit dans un local clos ou à proximité de matériaux inflammables. Les gaz d'échappement sont très chauds et peuvent contenir une étincelle pouvant provoquer un incendie. Sans une circulation d'air suffisante, des blessures ou la

Remarque: Les autres symboles/autocollants présents sur le produit concernent des exigences de certification spécifiques à d'autres zones commerciales.

- mort peuvent survenir par asphyxie au monoxyde de carbone.
- Cet appareil génère un champ électromagnétique en fonctionnement. Le champ électromagnétique peut endommager les implants médicaux. Consultez votre médecin et le fabricant de votre implant avant d'utiliser ce produit.
- Ne laissez pas un enfant utiliser le produit.
- Ne laissez pas une personne utiliser le produit si elle ne connaît pas les instructions.
- Surveillez constamment les personnes aux capacités physiques ou mentales réduites qui utilisent ce produit. Un adulte responsable doit être présent à tout moment.
- Stockez le produit dans une zone dont l'accès est fermé aux enfants et aux personnes non autorisées.
- Le produit peut projeter des objets et causer des blessures. Respectez les consignes de sécurité afin de réduire le risque de blessures graves ou mortelles.
- Ne vous éloignez pas du produit lorsque le moteur est allumé. Arrêtez le moteur et assurez-vous que la chaîne ne tourne pas.
- L'opérateur du produit est tenu responsable en cas d'accident.
- Assurez-vous que les pièces ne soient pas endommagées avant d'utiliser le produit.
- Référez-vous aux lois nationales ou locales. Elles peuvent empêcher ou limiter le fonctionnement du produit dans certaines conditions.

Consignes de sécurité pour le fonctionnement

- L'utilisation quotidienne ou régulière du produit peut provoquer le syndrome des « doigts blancs » ou entraîner des problèmes médicaux équivalents causés par les vibrations. Examinez l'état de vos mains et de vos doigts si vous utilisez le produit quotidiennement ou régulièrement. Si vos mains ou vos doigts présentent une décoloration, sont douloureux ou engourdis, arrêtez de travailler et contactez immédiatement un médecin.
- Assurez-vous que le produit est complètement assemblé avant de l'utiliser.
- Le produit peut entraîner la projection d'objets, ce qui peut causer des lésions oculaires. Utilisez toujours des protections pour les yeux homologuées lorsque vous faites fonctionner l'appareil.
- Soyez prudent, un enfant peut se trouver à proximité du produit durant son fonctionnement sans que vous en ayez connaissance.
- N'utilisez pas le produit si des personnes sont présentes dans la zone de travail. Arrêtez le produit si une personne pénètre dans la zone de travail.

(Fig. 24)

- Assurez-vous de toujours garder le contrôle du produit.

- L'appareil doit être utilisé avec les deux mains. N'utilisez jamais l'appareil d'une seule main. L'utilisateur, les travailleurs, les passants ou toute personne près de la zone de travail peuvent être grièvement blessés.
- Tenez la poignée avant avec la main gauche et la poignée arrière avec la main droite. Tenez l'appareil du côté droit du corps.

(Fig. 25)

- N'utilisez pas l'appareil si vous êtes fatigué ou malade, ou si vous êtes sous l'emprise de l'alcool ou de drogues.
- N'utilisez pas ce produit si vous ne pouvez pas être secouru en cas d'accident. Informez les autres personnes que vous allez utiliser le produit avant de démarrer l'appareil.
- Ne tourez pas avec le produit avant de vous assurer qu'aucune personne ni aucun animal ne se trouvent dans la zone de sécurité.
- Retirez tous les matériaux indésirables de la zone de travail avant de commencer. Si la chaîne heurte un objet, l'objet peut être projeté et causer des blessures ou des dommages. Les matériaux indésirables peuvent s'enrouler autour de la chaîne et causer des dommages.
- N'utilisez pas l'appareil par mauvais temps, par exemple en cas de brouillard, pluie, vents violents, risque d'éclairs ou autres conditions climatiques. Le mauvais temps peut créer des conditions de travail dangereuses, telles que des surfaces glissantes.
- Assurez-vous que vous pouvez vous déplacer librement et travailler dans une position stable
- Assurez-vous que vous ne pouvez pas tomber lorsque vous utilisez le produit. Ne vous inclinez pas lorsque vous utilisez le produit.
- Tenez toujours le produit avec vos deux mains. Tenez la poignée avant avec la main gauche et la poignée arrière avec la main droite. Tenez l'appareil du côté droit du corps.
- Si la commande du starter est sur la position de starter lorsque le moteur démarre, la chaîne commence à tourner.
- Arrêtez le moteur avant de déplacer le produit.
- Ne posez pas le produit lorsque le moteur est allumé.
- Arrêtez le moteur avant de retirer les matériaux indésirables de l'appareil. Attendez l'arrêt de la chaîne avant de retirer la matière coupée.
- N'utilisez pas cet appareil si vous êtes dans un arbre. Si vous êtes dans un arbre, vous risqueriez de vous blesser ou de blesser quelqu'un.

(Fig. 26)

- Le frein de l'appareil doit être serré au démarrage de la tronçonneuse afin de réduire le risque que la chaîne vous touche lors du démarrage.

(Fig. 27)

- Évitez le rebond, le patinage, le tressautement et la chute, qui peuvent causer des blessures graves.

- Respectez toutes les règles de sécurité afin d'éviter un rebond et les autres forces qui sont susceptibles de causer des blessures graves.
- Réglez régulièrement la tension de la chaîne de sciage pour s'assurer qu'elle n'est pas détendue. Une tension insuffisante de la chaîne augmente le risque que la chaîne saute et donc de blessures graves, voire mortelles.
- N'abattez pas des arbres sans respecter la bonne procédure. Vous risquez de provoquer des dommages corporels, heurter une ligne électrique ou causer des dommages matériels.
- L'opérateur doit toujours rester en amont du terrain afin d'éviter les troncs qui peuvent rouler ou glisser vers le bas après avoir été abattus.

(Fig. 28)

- Prévoyez une voie de retraite et dégagez-la avant de commencer la coupe. La voie de retraite doit s'étendre vers l'arrière et en diagonale de la ligne de chute attendue.

(Fig. 29)

- Arrêtez toujours le moteur avant de déplacer l'appareil entre les arbres.
- Prenez soin de bien garder les pieds au sol et de répartir votre poids équitablement.

(Fig. 30)

- Ayez toujours un bon appui et n'utilisez l'appareil que si vous êtes debout sur une surface plane, fixe et sécurisée. Les surfaces glissantes ou instables, telles que les échelles, peuvent entraîner une perte d'équilibre ou de contrôle.

(Fig. 31)

Rebonds, patinage, tressautement et chute

Des forces différentes peuvent avoir un effet sur le contrôle sécuritaire de l'appareil.

- **On parle de patinage** lorsque le guide-chaîne se déplace rapidement sur le bois.
- **On parle de tressautement** lorsque le guide-chaîne soulève le bois et le touche maintes fois.
- **On parle de chute** lorsque l'appareil finit sa course au sol une fois la coupe effectuée. En cas de chute, la chaîne en mouvement peut toucher une partie du corps ou d'autres objets, et causer des blessures ou des dommages.
- **On parle de rebond** lorsque l'extrémité du guide-chaîne entre en contact avec des objets et recule, remonte ou avance soudainement. Le rebond se produit également lorsque le bois se referme et coince la chaîne de sciage lors de la découpe. L'opérateur peut perdre le contrôle de l'appareil lorsqu'il heurte un objet dans le bois.

(Fig. 32)

- **Le rebond rotationnel** peut se produire quand la chaîne en mouvement entre en contact avec un objet en haut du guide-chaîne. La chaîne peut s'enfuir dans l'objet et s'arrêter immédiatement. Il

se produit une réaction inverse et très rapide qui déplace le guide-chaîne vers le haut et vers l'arrière en direction de l'opérateur.

(Fig. 33)

- **Le rebond de coincement** peut se produire lorsque la chaîne de sciage s'arrête soudainement lors de la découpe. Le bois se referme et coince la chaîne de sciage en mouvement le long de la partie supérieure du guide-chaîne. L'arrêt soudain de la chaîne inverse la force de la chaîne et pousse l'appareil dans le sens opposé à la rotation de la chaîne. L'appareil se déplace vers l'arrière en direction de l'opérateur.
- **Le « pull-in »** peut se produire quand la chaîne de sciage heurte un objet dans le bois le long de la partie inférieure du guide-chaîne. L'arrêt soudain pousse l'appareil vers l'avant en l'éloignant de l'opérateur, ce qui peut lui faire facilement perdre le contrôle de l'appareil.

Assurez-vous de bien comprendre les différentes forces et comment les éviter avant de faire fonctionner l'appareil. Consultez la section *Afin d'éviter les rebonds, le patinage, le tressautement et la chute à la page 42.*

Afin d'éviter les rebonds, le patinage, le tressautement et la chute

- Veillez à bien tenir l'appareil lorsque le moteur tourne. Maintenez votre main droite sur la poignée arrière et votre main gauche sur la poignée avant. Maintenez fermement avec les pouces et les doigts autour des poignées. Ne lâchez pas.
- Gardez le contrôle de l'appareil lors de la coupe et après que le bois tombe au sol. Ne laissez pas l'appareil tomber par terre une fois la découpe effectuée.
- Assurez-vous que la zone dans laquelle vous travaillez est exempte de tout obstacle. Ne laissez pas la pointe du guide-chaîne entrer en contact avec une bûche, une branche ou tout autre obstacle pendant que vous utilisez l'appareil. (Fig. 36)
- Coupez à des vitesses du moteur élevées.
- Ne vous penchez pas et ne coupez pas au-dessus de la hauteur d'épaule. (Fig. 37)
- Suivez les instructions du fabricant pour l'affûtage et l'entretien de la chaîne de sciage.
- N'utilisez que les guide-chaînes et chaînes de sciage spécifiés par le fabricant.
- Une épaisseur de copeau excessive augmente la tendance au rebond de la chaîne.

Équipement de protection individuelle

- Utilisez toujours un équipement de protection individuelle approprié lors de tout travail avec l'appareil. Un équipement de protection individuelle diminue le risque de blessure sans l'éliminer pour autant.

- N'utilisez pas de vêtements amples qui pourraient se prendre dans la chaîne de sciage.
- Utilisez un casque de protection homologué.
- Utilisez toujours des protections auditives homologuées lorsque vous faites fonctionner le produit. Une longue exposition au bruit peut causer la surdité.
- Utilisez toujours des lunettes de protection ou une visière faciale pour vous protéger d'une éventuelle projection d'objets. L'appareil peut déplacer avec violence des objets tels que la sciure et de petits morceaux de bois. Il peut en résulter des blessures graves, notamment au niveau des yeux.
- Utilisez des gants de protection contre les tronçonneuses.
- Utilisez des pantalons de protection contre les tronçonneuses.
- Utilisez des bottes de protection contre les tronçonneuses, avec coquille en acier et semelle antidérapante.
- Assurez-vous de disposer d'une trousse de premiers soins à proximité.
- Des étincelles peuvent être produites par le silencieux, le guide-chaîne et la chaîne de sciage ou par d'autres sources. Veillez à toujours disposer de dispositifs extincteurs et d'une pelle pour prévenir les feux de forêt.

Dispositifs de protection sur le produit

- N'utilisez pas un produit dont les équipements de protection sont endommagés. Si le produit est endommagé, contactez un centre d'entretien agréé.

Pour examiner le bouton d'arrêt

1. Démarrez le moteur. Consultez la section *Avant de faire démarrer le moteur à la page 46*.
2. Assurez-vous que le moteur s'arrête lorsque vous mettez le bouton d'arrêt en position stop.

Pour examiner le blocage de la gâchette d'accélération

1. Assurez-vous que la gâchette d'accélération (B) est verrouillée en position de ralenti lorsque vous relâchez le blocage de la gâchette d'accélération (A) (Fig. 38).
2. Appuyez sur le blocage de la gâchette d'accélération (A) et assurez-vous qu'il retourne à sa position initiale lorsque vous le relâchez.
3. Appuyez sur la gâchette d'accélération (B) et assurez-vous qu'elle retourne à sa position initiale lorsque vous la relâchez.
4. Démarrez le moteur, puis faites-le tourner à plein régime.
5. Relâchez la gâchette d'accélération et vérifiez si la chaîne de sciage s'arrête.
6. Si la chaîne tourne avec la gâchette en position de ralenti, vérifiez la vis de réglage du carburateur.

Protection

La protection empêche les objets d'être éjectés vers l'opérateur. La protection empêche également les contacts accidentels entre l'opérateur et la chaîne.

- Assurez-vous que la protection peut être utilisée simultanément avec l'appareil.
- N'utilisez pas l'appareil sans la protection.
- Assurez-vous que la protection n'est pas endommagée. Remplacez la protection si elle est usée ou si elle présente des fissures.

Sécurité carburant

- Ne démarrez pas le produit si du carburant ou de l'huile moteur a été renversé(e) sur le produit. Essuyez le carburant/l'huile et attendez que le produit sèche. Essuyez le carburant déversé sur le produit.
- Si vous avez renversé du carburant sur vos vêtements, changez de vêtements immédiatement.
- Évitez tout contact de la peau avec le carburant. Le carburant peut causer des blessures. Si votre peau entre en contact avec le carburant, lavez les parties qui ont été en contact avec de l'eau et du savon.
- Ne démarrez pas le moteur si vous avez renversé de l'huile ou du carburant sur le produit ou sur vous.
- Ne démarrez pas le produit s'il y a une fuite de moteur. Vérifiez régulièrement s'il y a des fuites de moteur.
- Faites attention avec le carburant. Le carburant est inflammable et ses vapeurs sont explosives. Il peut causer des blessures graves, voire mortelles.
- Ne respirez pas les vapeurs de carburant, elles peuvent causer des blessures. Assurez-vous que la ventilation est suffisante.
- Ne fumez pas à proximité du carburant ou du moteur.
- Ne mettez pas d'objets chauds à proximité du carburant ou du moteur.
- N'ajoutez pas de carburant lorsque le moteur est allumé.
- Assurez-vous que le moteur est froid avant de faire le plein de carburant.
- Avant de faire le plein, ouvrez le bouchon du réservoir de carburant lentement et relâchez la pression avec précaution.
- N'ajoutez pas de carburant au moteur dans un espace intérieur. Un débit d'air insuffisant peut causer des blessures graves, voire mortelles dues à une asphyxie ou au monoxyde de carbone.
- Serrez le bouton du réservoir de carburant avec précaution afin d'éviter tout risque d'incendie.
- Déplacez le produit à un minimum de 3 m (10 ft) de l'endroit où a été fait le plein de carburant avant de démarrer le produit.
- Ne remplissez pas trop le réservoir de carburant.

- Assurez-vous qu'aucune fuite ne peut se produire lorsque vous déplacez le produit ou le bidon de carburant.
- Ne placez pas le produit ni le bidon de carburant dans un espace où il y a une flamme nue, des étincelles ou une veilleuse d'allumage. Assurez-vous qu'il n'y a pas de flamme nue dans le lieu de stockage.
- Utilisez uniquement des récipients homologués pour le transport et le stockage de carburant.
- Avant de remiser le produit pour une période prolongée, videz le réservoir de carburant. Respectez la législation locale sur les lieux d'élimination du carburant.
- Nettoyez le produit avant de le remiser pour une période prolongée.
- Retirez la bougie avant de remiser le produit afin de s'assurer que le moteur ne démarre pas par inadvertance.
- Vérifiez que les bouchons et les fixations sont bien serrés.
- L'utilisation de pièces de rechange non homologuées ou la dépose des dispositifs de sécurité peut endommager l'appareil. D'éventuelles blessures à l'opérateur ou aux patients pourraient également en résulter. Utilisez uniquement des accessoires et pièces de rechange préconisés. Ne modifiez pas votre appareil.
- Maintenez la chaîne de sciage affûtée et propre pour un fonctionnement sûr et efficace.
- Respectez les instructions relatives à la lubrification et au remplacement des accessoires.
- Vérifiez que l'appareil ne comporte pas de pièces endommagées. Avant d'utiliser systématiquement l'appareil, assurez-vous que la protection ou la pièce endommagée fonctionne correctement. Vérifiez s'il y a des pièces cassées ou mal alignées, et des pièces qui ne se déplacent pas librement. Recherchez d'autres conditions qui pourraient affecter le fonctionnement de l'appareil. Veillez à ce que l'appareil soit correctement installé. Une protection ou toute autre pièce endommagée doit être réparée ou remplacée par un concessionnaire agréé, sauf indication contraire dans le manuel d'utilisation.

Consignes de sécurité pour l'entretien

- Débranchez la bougie d'allumage avant toute intervention sur l'appareil, à l'exception des réglages du carburateur.
- Faites réparer l'appareil par un concessionnaire agréé, sauf pour les tâches décrites dans *ENTRETIEN à la page 47*.
- Assurez-vous que la chaîne de sciage s'immobilise lorsque la gâchette d'accélération est relâchée.
- Veillez à ce que les poignées soient propres et sèches, sans traces d'huile ou de carburant.

- Lorsqu'il n'est pas utilisé, rangez l'appareil hors de portée des enfants dans un lieu sec ou fermé.
- Pendant le transport ou le rangement de l'appareil, déplacez l'appareil à l'aide d'un fourreau ou couvercle du guide-chaîne.
- N'utilisez pas de l'huile usagée. L'huile usagée représente un danger pour vous, et peut endommager l'appareil et l'environnement.

MONTAGE



AVERTISSEMENT: Assurez-vous de lire et de comprendre le chapitre dédié à la sécurité avant de monter l'appareil.

Pour monter le guide-chaîne et la chaîne de sciage

1. Retirez le capuchon de bougie de la bougie d'allumage pendant le montage pour éviter un démarrage accidentel. (Fig. 39) (Fig. 40)
2. Retirez les écrous du guide-chaîne et le carter de l'embrayage. Retirez le fourreau de transport (A). (Fig. 41)
3. Placez le guide-chaîne au-dessus des boulons du guide-chaîne. Guidez le guide-chaîne dans sa position la plus en arrière possible.
4. Portez des gants de protection contre les tronçonneuses.
5. Soulevez la chaîne de sciage au-dessus du pignon d'entraînement et placez-la dans la rainure du guide-chaîne. Commencez par le bord supérieur du guide-chaîne. (Fig. 42)
6. Assurez-vous que la face tranchante des dents est dirigée vers l'avant sur le dessus du guide-chaîne.
7. Montez le carter de l'embrayage et guidez le goujon de tension de la chaîne dans l'ouverture du guide-chaîne.
8. Assurez-vous que les maillons d'entraînement de la chaîne de sciage s'engagent dans le pignon d'entraînement. Assurez-vous également que la chaîne de sciage s'engage dans la rainure du guide-chaîne.
9. Serrez les écrous du guide-chaîne à la main.
10. Serrez la chaîne de sciage en tournant la vis du tendeur de chaîne dans le sens des aiguilles d'une montre à l'aide de la clé mixte. Serrez la chaîne de sciage jusqu'à ce qu'elle ne pende plus sous le guide-chaîne, mais en laissant toujours la possibilité de tirer dessus manuellement sans difficulté. (Fig. 43) et (Fig. 44)

11. Placez l'extrémité du guide-chaîne et serrez les écrous du guide-chaîne à l'aide de la clé mixte. (Fig. 45)

- Vérifiez régulièrement la tension de la chaîne après le montage d'une chaîne de sciage neuve jusqu'à ce que cette chaîne soit dûment rodée.

- Vérifiez régulièrement la tension de la chaîne. Une chaîne bien tendue offre de bonnes performances de coupe et une longue durée de vie.

FONCTIONNEMENT



AVERTISSEMENT: Assurez-vous de lire et de comprendre le chapitre dédié à la sécurité avant d'utiliser le produit.

Remarque: Utilisez de l'essence avec un numéro d'octane supérieur si vous utilisez fréquemment le produit à une vitesse du moteur élevée en continu.

Pour utiliser le carburant



REMARQUE: Ce produit est équipé d'un moteur à deux temps. Utilisez un mélange d'essence et d'huile moteur à deux temps. Assurez-vous d'utiliser la quantité correcte d'huile dans le mélange. Un rapport incorrect d'essence et d'huile peut endommager le moteur.



REMARQUE: Utilisez toujours une huile de bonne qualité pour moteur deux temps refroidi par air. L'utilisation d'autres huiles peut endommager l'appareil.

Rapport de mélange de carburant

Pour l'essence et l'huile pour moteur à deux temps, le mélange de carburant s'établit aux environs de 50:1 (2 %)

Essence	Huile moteur à deux temps
1 U.S. gal.	77 ml (2,6 oz)
1 UK gal.	95 ml (3,2 oz)
5 l	100 ml (3,4 oz)

3. Ajoutez la quantité totale d'huile pour moteur à deux-temps dans le bidon de carburant.

4. Agitez le mélange de carburant pour mélanger le contenu.
5. Ajoutez la quantité d'essence restante dans le bidon de carburant.
6. Agitez le mélange de carburant pour mélanger le contenu.
7. Versez le mélange de carburant dans le réservoir de carburant de l'appareil. Consultez la section *Rapport de mélange de carburant à la page 45*.

Pour effectuer le mélange de carburant

1. Déterminez la bonne quantité d'essence et d'huile moteur (rapport de mélange de 50:1). Ne préparez pas une quantité de mélange de carburant pour plus de 30 jours. Consultez la section *Rapport de mélange de carburant à la page 45*.
2. Ajoutez la moitié de la quantité d'essence dans un bidon de carburant propre muni d'un clapet anti-déversement.



REMARQUE: N'utilisez pas d'essence avec une concentration d'éthanol (E10) supérieure à 10 %. Cela peut endommager le produit.

Pour remplir le réservoir de carburant

1. Assurez-vous que le mélange de carburant est correct et qu'il se trouve dans un bidon de carburant muni d'un clapet anti-déversement.
2. Si le carburant se déverse sur le bidon, essuyez le carburant déversé et laissez sécher le bidon.
3. Assurez-vous que la zone proche du bouchon du réservoir de carburant est propre.
4. Retirez le bouchon du réservoir de carburant. (Fig. 46)
5. Agitez le bidon de carburant avant de verser le mélange de carburant dans le réservoir.
6. Remettez en place le bouchon du réservoir de carburant.



REMARQUE: N'utilisez pas d'essence avec un indice d'octane inférieur à 90 RON (87 AKI). Cela peut endommager le produit.

Pour lubrifier la chaîne de sciage

L'appareil est équipé d'un système de lubrification automatique. Assurez-vous d'utiliser une huile pour chaîne adéquate et de respecter les instructions.

1. Utilisez une huile pour chaîne de sciage végétale ou une huile pour chaîne ordinaire.
2. Veillez à maintenir propre la zone près du bouchon du réservoir d'huile de la chaîne de sciage.

3. Retirez le bouchon du réservoir d'huile de la chaîne de sciage.
4. Remplissez le réservoir d'huile de la chaîne de sciage avec une huile pour chaîne de sciage préconisée.
5. Remettez en place le bouchon du réservoir d'huile de la chaîne de sciage.

Avant de faire démarrer le moteur

- Vérifiez que le produit n'a pas de pièce manquante, endommagée, desserrée ou usée.
- Vérifiez les écrous, les vis et les boulons.
- Vérifiez le filtre à air.
- Vérifiez que le blocage de la gâchette d'accélération et la commande d'accélération fonctionnent correctement.
- Vérifiez que le bouton d'arrêt fonctionne correctement.
- Vérifiez qu'il n'y a pas de fuites de carburant au niveau du produit.
- Vérifiez que la chaîne de sciage est affûtée et tendue.

Pour démarrer un moteur froid

1. Déplacez la protection anti-rebond vers l'avant pour activer le frein de chaîne. (Fig. 47)
2. Tirez le starter vers vous puis vers le haut.
3. Appuyez 6 fois sur la poire d'amorçage. (Fig. 48)
4. Plaquez l'appareil contre le sol à l'aide de votre main gauche. Ne marchez pas sur le produit. Tirez la poignée du câble du démarreur lentement jusqu'à ce qu'une résistance se fasse sentir. Ensuite, tirez la poignée du câble du démarreur avec force. (Fig. 49)

Remarque: Ne tirez pas la gâchette d'accélération pendant que vous démarrez le moteur.

5. Continuez à tirer la poignée du câble du démarreur jusqu'à ce que le moteur démarre ou essaie de démarrer (max. 3 fois). Lors du démarrage ou de la tentative de démarrage du moteur, abaissez la commande de starter. (Fig. 50)



REMARQUE: Ne tirez pas sur le câble du démarreur avant que le moteur s'arrête. Ne lâchez pas le câble du démarreur lorsqu'il est complètement déployé. Relâchez lentement le câble du démarreur. Le non-respect de ces instructions peut endommager le moteur.

6. Continuez à tirer jusqu'à ce que le moteur démarre. Patientez 60 secondes après le démarrage avant de tirer la gâchette d'accélération.
7. Déplacez de nouveau la protection anti-rebond vers la poignée avant pour desserrer le frein de chaîne.
8. Tenez la poignée arrière avec la main droite et la poignée avant avec la main gauche.

9. Utilisez l'appareil.

Pour démarrer un moteur chaud

1. Déplacez la protection anti-rebond vers l'avant pour activer le frein de chaîne. (Fig. 51)
2. Tirez le starter vers vous puis vers le haut.
3. Appuyez 6 fois sur la poire d'amorçage. (Fig. 52)
4. Abaissez la commande de starter. (Fig. 53)
5. Plaquez l'appareil contre le sol à l'aide de votre main gauche. Ne marchez pas sur le produit. Tirez la poignée du câble du démarreur lentement jusqu'à ce qu'une résistance se fasse sentir. Ensuite, tirez la poignée du câble du démarreur avec force. (Fig. 54)



REMARQUE: Ne tirez pas le câble du démarreur jusqu'à l'arrêt de celui-ci. Ne lâchez pas le câble du démarreur lorsqu'il est complètement déployé. Relâchez lentement le câble du démarreur. Observez ces instructions pour ne pas endommager le moteur.

Remarque: Ne tirez pas la gâchette d'accélération pendant que vous démarrez le moteur.

6. Continuez à tirer la poignée du câble du démarreur jusqu'à ce que le moteur démarre ou essaie de démarrer (max. 3 fois). Patientez 60 secondes après le démarrage avant de tirer la gâchette d'accélération.
7. Tirez le protège-main avant vers l'arrière dans le sens de la poignée avant pour desserrer le frein de chaîne.
8. Tenez la poignée arrière avec la main droite et la poignée avant avec la main gauche.
9. Utilisez l'appareil.

Pour démarrer le moteur lorsque le carburant est trop chaud

Si l'appareil ne démarre pas, il se peut que le carburant soit trop chaud.

Remarque: Utilisez toujours un nouveau carburant et limitez le temps de fonctionnement par temps chaud.

1. Placez l'appareil dans un endroit frais à l'abri des rayons du soleil.
2. Laissez l'appareil refroidir pendant 20 minutes au moins.
3. Appuyez maintes fois sur la poire d'amorçage pendant 10 à 15 secondes.
4. Observez la procédure relative au démarrage d'un moteur froid. Consultez la section *Pour démarrer un moteur froid à la page 46*.

Pour arrêter

- Appuyez sur le bouton d'arrêt pour arrêter le moteur.

Remarque: Le bouton d'arrêt revient automatiquement à sa position initiale.

Pour utiliser un patin d'ébranchage

Un patin d'ébranchage permet d'éviter les rebonds et d'immobiliser le bois lors de la découpe. Le patin d'ébranchage est un pivot situé entre le corps moteur et le guide-chaîne.

1. Placez l'extrémité inférieure du patin d'ébranchage à la bonne largeur de charnière.
2. Appuyez sur la poignée avant avec la main gauche en soulevant la poignée arrière avec la main droite.
3. Sciez jusqu'à l'obtention de la bonne largeur de charnière.

Remarque: La charnière doit avoir la même épaisseur.

4. Sciez plus de la moitié du diamètre, avant d'introduire le coin d'abattage dans la tronçonneuse.

Pour abattre un arbre

1. Enlevez la saleté, les pierres, l'écorce qui se détache, des épines, des crampons et le câble de l'arbre.
2. Faites une entaille correspondant à 1/3 du diamètre de l'arbre, perpendiculaire à la direction de la chute. (Fig. 55)
3. Faites une entaille horizontale inférieure. Cela permet d'éviter le coincement de la chaîne de sciage ou du guide-chaîne quand vous pratiquez la deuxième entaille.
4. Pratiquez le trait d'abattage (X) à une hauteur minimale de 50 mm (2 po) par rapport à l'entaille horizontale. Maintenez le trait d'abattage parallèlement à l'entaille horizontale gauche pour qu'il y ait assez de bois pour former une charnière. Ne coupez pas à travers la charnière. Le bois de charnière évite que l'arbre ne penche et ne chute dans la mauvaise direction. (Fig. 56) et (Fig. 57)
5. L'arbre commence à tomber quand le trait d'abattage approche la charnière. Assurez-vous que

l'arbre va tomber dans la bonne direction et qu'il ne pivote pas vers l'arrière ni ne coince la chaîne de sciage. Pour éviter cela, arrêtez la coupe avant que le trait d'abattage ne soit terminé. Utilisez des coins en bois, en plastique ou en aluminium pour ouvrir l'entaille et laissez tomber l'arbre le long de la ligne de chute concernée. (Fig. 58)

6. Retirez l'appareil lorsque l'arbre commence à tomber. Arrêtez le moteur, abaissez l'appareil et prenez la voie de retraite prévue. Faites attention aux branches qui tombent de haut et surveillez votre équilibre en marchant. (Fig. 59)

Pour tailler un arbre

1. Utilisez les grosses branches pour que la bûche ne touche pas au sol.
2. Enlevez les petites branches d'un seul coup. (Fig. 60)
3. Coupez les branches pliées de bas en haut pour éviter que la chaîne de sciage ou le guide-chaîne ne coince.

Pour débiter une bûche



REMARQUE: Ne laissez pas la chaîne de sciage toucher au sol.

- Si la bûche est soutenue sur toute sa longueur, coupez par le dessus de la bûche (technique appelée tronçonnage par le dessus). (Fig. 61)
- Si la bûche est soutenue d'un côté, coupez par le dessous sur 1/3 du diamètre de la bûche (technique appelée tronçonnage par le dessous).
- Si la bûche est soutenue des deux côtés, coupez par le dessus sur 1/3 du diamètre de la bûche. Effectuez la coupe en tronçonnant les 2/3 inférieurs de la bûche pour réaliser le premier passage. (Fig. 62)
- Si vous débitez une bûche dans une pente, placez-vous toujours en amont de la bûche. Coupez la bûche en gardant un contrôle total de l'appareil. Relâchez ensuite la pression quand la coupe est presque terminée en maintenant fermement la poignée arrière et la poignée avant. (Fig. 63)

ENTRETIEN



AVERTISSEMENT: Assurez-vous de lire et de comprendre le chapitre sur la sécurité avant de nettoyer, de réparer ou de procéder à l'entretien du produit.

Schéma d'entretien

Assurez-vous de respecter le schéma d'entretien. Les intervalles sont calculés selon une utilisation quotidienne du produit. Les intervalles sont différents si vous n'utilisez pas le produit tous les jours. Effectuez uniquement les travaux d'entretien décrits dans ce manuel. Contactez un centre d'entretien agréé pour

effectuer d'autres travaux d'entretien ne figurant pas dans ce manuel.

Entretien quotidien

- Nettoyez les surfaces externes.
- Vérifiez que le blocage de la gâchette et la gâchette fonctionnent correctement.
- Nettoyez le frein de chaîne et vérifiez qu'il fonctionne correctement.
- Vérifiez si le capteur de chaîne est endommagé. Remplacez le capteur de chaîne s'il est endommagé.
- Retournez le guide-chaîne tous les jours afin de répartir l'usure.
- Vérifiez que l'orifice de lubrification du guide-chaîne n'est pas bouché.
- Retirez la poussière et tout autre matériau indésirable de la scie en dessous du couvercle du pignon.
- Nettoyez la rainure du guide-chaîne. (Fig. 64)
- Assurez-vous que le guide-chaîne et la chaîne de sciage sont suffisamment lubrifiés.
- Vérifiez que le guide-chaîne :
 - est dépourvu de fissures au niveau des rivets et des maillons ;
 - ne comporte pas de rivets et de maillons anormalement usés ;
 - est bien tendu ;
 - ne présente pas de bavures sur les maillons entraîneurs de la chaîne.

Remplacez la chaîne de sciage, au besoin.

- Affûtez la chaîne de sciage. Consultez la section *Pour affûter la chaîne de sciage à la page 49.*
- Vérifiez si le pignon d'entraînement est trop usé et remplacez-le au besoin. (Fig. 65)
- Nettoyez la prise d'air du carter de moteur.
- Assurez-vous que les écrous et les vis sont serrés.
- Contrôlez le bon fonctionnement du bouton d'alimentation.

Entretien hebdomadaire

- Contrôlez le bon fonctionnement du système de refroidissement.
- Contrôlez le bon fonctionnement du démarreur, du câble du démarreur et du ressort de rappel.
- Vérifiez que les amortisseurs ne sont pas endommagés.

(Fig. 66)

- Limer les bavures éventuelles sur les côtés du guide-chaîne.
- Nettoyez ou remplacez le pare-étincelles du silencieux.

(Fig. 67)

- Nettoyez les surfaces externes du carburateur et les zones adjacentes.
- Nettoyez le filtre à air. Installez un nouveau filtre à air s'il est endommagé ou trop sale pour être complètement nettoyé. Consultez la section *Pour nettoyer le filtre à air à la page 49* pour plus d'informations.

Entretien mensuel

- Contrôlez le degré d'usure du ruban de freinage du frein de chaîne. Remplacez lorsque l'épaisseur de la bande de freinage est inférieure à 0,6 mm (0,024 pouce) au niveau du point le plus usé.

(Fig. 68)

- Contrôlez le degré d'usure du moyeu, du tambour et du ressort d'embrayage.
- Nettoyez la bougie. Vérifiez que l'écartement des électrodes est correct.

(Fig. 69)

- Nettoyez les surfaces externes du carburateur et les zones adjacentes.
- Contrôlez le filtre à carburant et le tuyau de carburant. Remplacez si nécessaire.
- Videz le réservoir de carburant.
- Videz le réservoir d'huile.
- Vérifiez tous les câbles et toutes les connexions.

Maintenance annuelle

- Vérifiez la bougie.
- Nettoyez les surfaces externes du carburateur et les zones adjacentes.
- Nettoyer le système de refroidissement.
- Vérifiez l'écran pare-étincelles.
- Vérifiez le filtre à carburant.
- Vérifiez le tuyau de carburant afin de détecter d'éventuels dommages.
- Vérifiez tous les câbles et toutes les connexions.

Entretien périodique

- Faites réparer ou remplacer le silencieux après 50 heures de fonctionnement auprès d'un centre d'entretien agréé.
- Effectuez l'entretien de la bougie d'allumage lorsque :
 - la puissance du moteur est faible ;
 - le démarrage du moteur est difficile ;
 - le moteur ne fonctionne pas correctement lorsqu'il tourne au régime de ralenti.
- Contrôlez la lubrification de la chaîne de sciage à chaque plein. Consultez la section *Pour contrôler la lubrification de la chaîne de sciage à la page 50.*

Pour régler le régime de ralenti

Assurez-vous que le filtre à air est propre et que le couvercle de filtre à air est fixé avant de régler le régime de ralenti.

1. Tournez la vis de réglage de ralenti identifiée par le repère « T » dans le sens des aiguilles d'une montre jusqu'à ce que la chaîne de sciage commence à tourner.
2. Tournez la vis de réglage de ralenti identifiée par le repère « T » dans le sens contraire des aiguilles d'une montre jusqu'à ce que la chaîne de sciage s'arrête.
3. Le régime de ralenti doit être inférieur à la vitesse lorsque la chaîne de sciage commence à tourner. Le régime de ralenti est correct lorsque le moteur fonctionne sans à-coups dans toutes les positions.

Pour effectuer l'entretien de l'écran pare-étincelles

- Utilisez une brosse métallique pour nettoyer l'écran pare-étincelles. (Fig. 70)

Pour effectuer l'entretien de la bougie d'allumage



REMARQUE: Utilisez la bougie recommandée. Assurez-vous que la bougie de remplacement est la même que celle fournie par le fabricant. Une bougie inappropriée peut endommager le produit.

1. Si l'appareil a du mal à démarrer ou à fonctionner, vérifiez la présence de matériaux indésirables au niveau de la bougie. Afin de réduire le risque de matériaux indésirables présents sur les électrodes de la bougie :
 - a) assurez-vous que le régime de ralenti est correctement réglé ;
 - b) assurez-vous que le mélange de carburant est correct ;
 - c) assurez-vous que le filtre à air est propre.
2. Nettoyez la bougie si elle est sale. Vérifiez que l'écartement des électrodes est correct. (Fig. 71)
3. Remplacez la bougie lorsque nécessaire.

Pour nettoyer le filtre à air

1. Retirez le couvercle du filtre à air et le filtre à air. (Fig. 72)
2. Nettoyez le filtre à air avec de l'eau chaude savonneuse. Assurez-vous que le filtre à air est sec avant de l'installer.
3. Remplacez le filtre à air s'il est trop sale pour le nettoyer complètement. Remplacez toujours un filtre à air endommagé.

Pour affûter la chaîne de sciage

La lame de coupe

La partie coupante de la chaîne s'appelle la lame de coupe et comporte une dent (A) et une jauge de profondeur (B). La profondeur de coupe de la lame est déterminée par la différence de hauteur entre les deux éléments, du réglage de la jauge de profondeur (C).

(Fig. 73)

Quatre dimensions doivent être prises en compte lors de l'affûtage d'une dent :

- L'angle d'affûtage.

(Fig. 74)

- L'angle d'impact.

(Fig. 75)

- La position de la lime.

(Fig. 76)

- Le diamètre de la lime ronde.

(Fig. 77)

Pour affûter les dents de coupe

Utilisez une lime ronde et une jauge de profondeur pour affûter les dents de coupe. Consultez la section *Combinaisons lime de chaîne de sciage et chaîne de sciage à la page 52* pour en savoir plus sur la dimension préconisée de la lime et de la jauge utilisées dans la chaîne de sciage installée sur votre appareil. (Fig. 78)

1. Vérifiez que la chaîne de sciage est bien tendue. Une chaîne pas assez tendue est instable d'un côté, ce qui gêne l'affûtage.
2. Limez toutes les dents du même côté. Limez ensuite les dents de coupe de la face intérieure et soulagez la lime dans le sens inverse.
3. Retournez l'appareil sur le côté opposé et limez les dents.
4. Limez toutes les dents à la même longueur. Remplacez une chaîne de sciage usée si la hauteur des dents de coupe est inférieure à 4 mm (5/32 po).

Pour régler la jauge de profondeur

Affûtez les dents de coupe avant de procéder au réglage de la jauge de profondeur. Consultez la section *Pour affûter les dents de coupe à la page 49*. Quand la dent est affûtée (A), le réglage de jauge de profondeur (C) diminue. Pour conserver une performance de coupe maximale, le réglage de la jauge de profondeur (B) doit être abaissé au niveau recommandé. Consultez la section *Combinaisons lime de chaîne de sciage et chaîne de sciage à la page 52* pour trouver la bonne jauge de profondeur pour votre chaîne.

(Fig. 79)

(Fig. 80)

Remarque: cette recommandation suppose que les dents n'ont pas été anormalement réduites lors de l'affûtage.

Pour le réglage de la jauge de profondeur, utilisez une lime plate et un outil de jauge de profondeur.

1. Mettez l'outil de jauge de profondeur sur la chaîne de sciage. Vous trouverez des informations sur l'utilisation de l'outil de jauge de profondeur sur l'emballage.
2. Utilisez une lime plate pour retirer l'excès sur la partie qui dépasse de l'outil de jauge de profondeur. L'épaisseur est correcte quand vous pouvez passer la lime sur la jauge de profondeur sans ressentir de résistance.

Pour tendre la chaîne de sciage

Remarque: Vérifiez régulièrement la tension d'une nouvelle chaîne de sciage pendant sa période de rodage.

1. Desserrez les écrous du guide-chaîne fixant le couvercle du pignon. Utilisez la clé mixte. (Fig. 81)
2. Resserrez les écrous du guide-chaîne à fond manuellement.
3. Soulevez la partie supérieure du guide-chaîne et tendez la chaîne de sciage en serrant la vis du tendeur de chaîne. Utilisez la clé mixte. Tendez la chaîne de sciage jusqu'à ce qu'elle ne pende plus sous le guide-chaîne. (Fig. 82)

4. Serrez les écrous du guide-chaîne à l'aide de la clé mixte et soulevez en même temps l'extrémité du guide-chaîne. (Fig. 83)
5. Contrôlez que la chaîne de sciage peut tourner manuellement et qu'elle ne pend pas. (Fig. 84)

Pour lubrifier l'équipement de coupe

Pour contrôler la lubrification de la chaîne de sciage

Contrôlez la lubrification de la chaîne de sciage à chaque plein.

1. Démarrez l'appareil et faites-le tourner aux 3/4 de sa vitesse. Dirigez la pointe du guide-chaîne à environ 20 cm (8 pouces) de distance d'une surface claire.
2. Au bout de 1 minute de fonctionnement, une ligne d'huile apparaît sur la surface claire.
3. Si la ligne d'huile n'est pas visible au bout de 1 minute, nettoyez le canal de graissage du guide-chaîne. Nettoyez la rainure du guide-chaîne. Vérifiez que le pignon de renvoi du guide-chaîne tourne librement et qu'il n'y a pas d'obstacles dans l'orifice de lubrification. Nettoyez et lubrifiez la roulette.
4. Démarrez l'appareil et faites-le tourner aux 3/4 de sa vitesse. Dirigez la pointe du guide-chaîne à environ 20 cm (8 pouces) de distance d'une surface claire.
5. Au bout de 1 minute de fonctionnement, une ligne d'huile apparaît sur la surface claire.
6. Si la ligne d'huile n'est pas visible au bout de 1 minute, parlez-en à votre concessionnaire agréé.

TRANSPORT

- Videz les réservoirs de carburant et d'huile pour chaîne avant de transporter l'appareil. Mettez au rebut les liquides usagés comme il se doit.
- Mettez en place le couvercle du guide-chaîne sur l'équipement de coupe lors du transport. Personne ne pourra ainsi heurter accidentellement la chaîne de sciage. Une chaîne de sciage inactive peut vous

blessier ou blesser d'autres personnes qui la heurtent.

- Retirez le capuchon de la bougie d'allumage et serrez le frein de chaîne avant de transporter l'appareil.
- Assurez-vous d'immobiliser l'appareil pendant le transport.

ENTREPOSAGE

- Mettez toujours l'appareil à l'abri dans un endroit sûr quand vous ne l'utilisez pas. Les fuites et les émanations de l'appareil peuvent entrer en contact avec des étincelles, des flammes nues produites par du matériel électrique, des tondeuses électriques, des relais/interrupteurs, des chaudières, etc.
- Conservez toujours le carburant dans un bidon homologué.
- Videz les réservoirs de carburant et d'huile pour chaîne lorsque l'appareil doit être rangé pendant de

longues périodes. Mettez au rebut les liquides usagés comme il se doit.

- Lors du rangement, mettez en place le couvercle du guide-chaîne. Personne ne pourra ainsi heurter accidentellement la chaîne de sciage affûtée. Une chaîne de sciage inactive peut vous blesser gravement ou blesser d'autres personnes qui heurtent une chaîne de coupe affûtée.
- Retirez le capuchon de la bougie d'allumage et serrez le frein de chaîne avant de ranger l'appareil.

CARACTÉRISTIQUES TECHNIQUES

	unité	130 (H13038HV)	135 Mark II (H13038HV)
Caractéristiques du moteur			
Cylindrée	cm ³	38	38
Bougie	—	NGK BPMR 7A	NGK BPMR 7A
Écartement des électrodes	mm (po)	0,5 (0,02)	0,5 (0,02)
Capacité du réservoir de carburant	cm ³	350	350
Vitesse du ralenti	min ⁻¹	2 800-3 200	2 800-3 200
Puissance de sortie à 9 000 min ⁻¹	kW	1,5	1,6
Période de durabilité des émissions	h	125	125
Données sur le son et les vibrations			
Niveau de vibrations équivalent (ahv,eq) poignée gauche ¹¹	m/s ²	3,72	3,72
Niveau de vibrations équivalent (ahv,eq) poignée droite ¹²	m/s ²	5,5	5,5
Niveau de puissance acoustique, garanti (L _{WA}) ¹³	dB(A)	116	116
Niveau de puissance sonore mesuré ¹⁴	dB(A)	114	114
Niveau de pression sonore à l'oreille de l'utilisateur ¹⁵	dB(A)	102	102
Dimensions du produit			
Poids (sans équipement de coupe)	kg	4,68 (10,3)	4,68 (10,3)
Capacité du réservoir d'huile	cm ³	260	260
Système de graissage/de carburant			
Capacité de la pompe à huile à 9 000 min ⁻¹	ml/min	9	9
Type de pompe à huile	—	Automatique	Automatique
Chaîne de sciage et guide-chaîne			
Longueur de guide-chaîne standard	cm (po)	35-40 (14-16)	35-40 (14-16)

¹¹ Le niveau de vibrations équivalent correspond à la somme d'énergie pondérée pour les niveaux de vibrations à différents régimes. Les données reportées pour le niveau de vibrations équivalent montrent une dispersion statistique type (déviations standard) de 1,5 m/s².

¹² Le niveau de vibrations équivalent correspond à la somme d'énergie pondérée pour les niveaux de vibrations à différents régimes. Les données reportées pour le niveau de vibrations équivalent montrent une dispersion statistique type (déviations standard) de 1,5 m/s².

¹³ Émissions sonores dans l'environnement mesurées en tant que puissance acoustique (L_{WA}).

¹⁴ Émissions sonores dans l'environnement mesurées en tant que puissance acoustique (L_{WA}).

¹⁵ Le niveau de pression sonore équivalent correspond à la somme d'énergie pondérée en fonction du temps pour divers niveaux de pression sonore à différents régimes. La dispersion statistique typique pour le niveau de pression sonore équivalent se traduit par une déviation standard de 2,5 dB (A).

	unité	130 (H13038HV)	135 Mark II (H13038HV)
Longueur de guide-chaîne recommandée	cm (po)	35-40 (14-16)	35-40 (14-16)
Longueur de coupe effective	cm (po)	33-38 (13-15)	33-38 (13-15)
Vitesse maximale de la chaîne de sciage	m/s	22,3	22,3
Pas de chaîne de sciage	mm (po)	9,52 (3/8)	9,52 (3/8)
Épaisseur des maillons d'entraînement (calibre)	mm (po)	1,3 (0,050)	1,3 (0,050)
Type de pignon d'entraînement	—	Pas	Pas
Nombre de dents du pignon d'entraînement	—	6	6

ACCESSOIRES

Combinaisons de guide-chaînes et de chaînes

Guide-chaîne				Chaîne	
Longueur	Pas	Jauge	Rayon max. du nez	Type	Longueur, maillons entraîneurs (pce)
14 pouces	3/8 pouce	0,050 pouce	7T	Husqvarna H37	52
16 pouces				Husqvarna S93G	56

Combinaisons lime de chaîne de sciage et chaîne de sciage

Type de chaîne	Lime ronde	Angle de la platine latérale	Angle de la platine supérieure	Angle de guidage de la lime	Réglage de la jauge de profondeur	Référence de la jauge de profondeur	Référence du gabarit d'affûtage
H37, S93G	5/32 pouce 4,0 mm	80°	30°	0°	0,025/0,65	5056981-03	5052437-01

CONTENU DE LA DÉCLARATION DE CONFORMITÉ DE LA CE

Nous, Husqvarna AB, SE 561 82 Huskvarna, SUÈDE, déclarons sous notre responsabilité exclusive que le produit représenté :

Description	Tronçonneuse à essence
Marque	Husqvarna

Description	Tronçonneuse à essence
Plate-forme / Type / Modèle	Plate-forme H13038HV, représentant le modèle 130, 135 Mark II
Lot	Numéro de série à partir de 2018

est entièrement conforme à la réglementation et aux directives de l'UE suivantes :

Directive/Réglementation	Description
2006/42/EC	« relative aux machines »
2014/30/UE	« relative à la compatibilité électromagnétique »,
2000/14/EC	« relative au bruit extérieur »
2011/65/UE	« relative à la limitation de l'utilisation de certaines substances dangereuses »

Les normes harmonisées et/ou les spécifications techniques appliquées sont comme suit : EN ISO 12100, EN ISO 11681-1, CISPR 12, ISO 14982

Conformément à la directive 2000/14/CE, Annexe V, les valeurs déclarées saines sont stipulées dans la section Données techniques de ce manuel et dans la Déclaration de Conformité signée de l'UE.

TÜV Rheinland LGA Products GmbH, Organisme notifié pour les machines (notifié sous 0197), Tillystraße 2 - 90431 Nuremberg, Allemagne, a procédé à des tests de type CE conformément à l'article 12, point 3b de la directive 2006/42/CE.

Le certificat de test de ce type, conformément à l'Annexe IX, comme indiqué dans la Déclaration de conformité signée, s'applique à l'ensemble des sites de fabrication et des pays d'origine, comme indiqué sur le produit.

Cette tronçonneuse est conforme à l'exemplaire ayant subi le test de type européen.

Contenido

INTRODUCCIÓN.....	54	TRANSPORTE.....	65
SEGURIDAD.....	55	ALMACENAMIENTO.....	65
MONTAJE.....	59	DATOS TÉCNICOS.....	65
FUNCIONAMIENTO.....	60	ACCESORIOS.....	67
MANTENIMIENTO.....	62	CONTENIDO DE LA DECLARACIÓN DE CONFORMIDAD CE.....	67

INTRODUCCIÓN

Manual de usuario

El idioma original de este manual de instrucciones es el inglés. Los manuales de usuario en otros idiomas son traducciones del inglés.

Revisar

(Fig. 1)

1. Cubierta del cilindro
2. Bomba de combustible
3. Placa de identificación
4. Etiqueta adhesiva de información y advertencia
5. Botón de parada
6. Mango trasero
7. Depósito de combustible
8. Empuñadura de la cuerda de arranque
9. Cuerpo del mecanismo de arranque
10. Marca de orientación de tala
11. Depósito de aceite de cadena
12. Mango delantero
13. Freno de cadena con protección contra reculadas
14. Silenciador
15. Cadena de sierra
16. Cabezal de rueda
17. Espada
18. Tornillo de tensado de la cadena (130)
19. Tornillo de tensado de cadena (135 Mark II)
20. Apoyo de corteza
21. Captor de cadena
22. Cubierta del embrague
23. Protección de la mano derecha
24. Acelerador
25. Bloqueo del acelerador
26. Funda de la espada
27. Herramienta combinada
28. Manual de usuario

Símbolos que aparecen en el producto

- (Fig. 2) Advertencia
- (Fig. 3) Lea este manual
- (Fig. 4) Utilice protección para la cabeza, protectores auriculares y protección auricular homologados
- (Fig. 5) Utilice guantes protectores homologados
- (Fig. 6) El producto cumple con las directivas CE vigentes
- (Fig. 7) Nivel de potencia acústica
- (Fig. 8) Freno de cadena, no activado (izquierda). Freno de cadena, activado (derecha)
- (Fig. 9) Control del estrangulador
- (Fig. 10) Bomba de combustible
- (Fig. 11) Carga de combustible
- (Fig. 12) Rellenado de aceite para cadena
- (Fig. 13) El producto cumple con las directivas EAC vigentes
- (Fig. 14) El producto cumple con las directivas ucranianas vigentes
- (Fig. 15) El producto cumple con las directivas coreanas vigentes
- (Fig. 16) El producto cumple con las directivas japonesas vigentes
- (Fig. 17) Nivel de ruido

- (Fig. 18) Sujete el producto adecuadamente con las dos manos
- (Fig. 19) No lo utilice con una sola mano
- (Fig. 20) Evite el contacto con la punta de la espada
- (Fig. 21) Cuidado con los rebotes

El producto cumple con las directivas de compatibilidad electromagnética de Australia y Nueva Zelanda vigentes.

Nota: Los demás símbolos/etiquetas que aparecen en el producto corresponden a requisitos de homologación específicos en otras zonas comerciales.

Propuesta 65

(Fig. 23)

UE V



ADVERTENCIA: La manipulación del motor anula la homologación de la UE de este producto.

Responsabilidad sobre el producto

Como se estipula en las leyes de responsabilidad del producto, no nos hacemos responsables de los daños y perjuicios causados por nuestro producto si:

- El producto se ha reparado incorrectamente.
- El producto se ha reparado con piezas que no eran del fabricante o no autorizadas por el fabricante.
- El producto tiene un accesorio que no es del fabricante o no está autorizado por este.
- El producto no se ha reparado en un centro de servicio autorizado o por un organismo homologado.

SEGURIDAD

Definiciones de seguridad

Las definiciones siguientes indican el nivel de gravedad para cada palabra de señalización de riesgo.



ADVERTENCIA: Lesiones a personas.



PRECAUCIÓN: Daños en el producto.

Nota: Esta información hace que el producto sea más fácil de usar.

Instrucciones generales de seguridad

- Use el producto correctamente. Las lesiones o la muerte son un posible resultado de un uso incorrecto. Utilice el producto solo para las tareas indicadas en este manual. No utilice el producto para otras tareas.
- Asegúrese de leer, comprender y respetar las instrucciones de este manual. Respete los símbolos de seguridad y las instrucciones de seguridad. Si el operador no respeta las instrucciones y los símbolos, pueden producirse lesiones, daños materiales o la muerte.
- No se deshaga de este manual. Utilice las instrucciones para montar su producto, utilizarlo y mantenerlo en buen estado. Utilice las instrucciones

para la correcta instalación de los complementos y accesorios. Utilice únicamente complementos y accesorios autorizados.

- No utilice un producto dañado. Respete el programa de mantenimiento. Realice solamente el trabajo de mantenimiento indicado en las instrucciones de este manual. Todos los demás trabajos de mantenimiento debe hacerlos un centro de servicio autorizado.
- Este manual no puede incluir todas las situaciones que pueden producirse cuando utilice el producto. Proceda con cuidado y utilice el sentido común. No utilice el producto ni realice el mantenimiento del producto si no está seguro de cuál es la situación. Hable con un experto en el producto, su distribuidor, un taller de servicio o centro de servicio autorizado para obtener información.
- Desconecte el cable de la bujía antes de montar el producto, almacenarlo o realizar tareas de mantenimiento.
- No utilice el producto si se ha modificado respecto de sus especificaciones iniciales. No cambie una parte del producto sin la autorización del fabricante. Utilice únicamente las piezas que están autorizadas por el fabricante. Las lesiones o la muerte son un posible resultado de un mantenimiento incorrecto.
- No inhale los vapores del motor. La inhalación prolongada de los gases de escape del motor, los vapores de aceite de cadena y el serrín puede poner en riesgo la salud.
- Nunca arranque el producto en interiores ni cerca de material inflamable. Los gases de escape están calientes y pueden contener una chispa que puede iniciar un incendio. Una circulación de aire

insuficiente puede causar lesiones o la muerte por asfixia o inhalación de monóxido de carbono.

- Este producto genera un campo electromagnético durante el funcionamiento. El campo electromagnético puede provocar daños en implantes médicos. Consulte a su médico y al fabricante del implante médico antes de usar el producto.
- No deje que un niño maneje el producto.
- No permita que nadie maneje el producto sin conocer las instrucciones.
- Si una persona con discapacidad física o mental usa el producto, asegúrese de supervisarla en todo momento. Debe haber presente en todo momento una persona mayor de edad responsable.
- Cierre con llave el producto en un área a la que no pueden acceder las personas no autorizadas ni los niños.
- El producto puede proyectar objetos con fuerza y causar lesiones. Respete las instrucciones de seguridad para reducir el riesgo de lesiones o muerte.
- No deje desatendido el producto con el motor encendido. Pare el motor y asegúrese de que la cadena no gira.
- El operador del producto es el responsable si se produce un accidente.
- Asegúrese de que las piezas no estén dañadas antes de utilizar el producto.
- Consulte las leyes nacionales o locales. Pueden prohibir o limitar el funcionamiento del producto en circunstancias determinadas.

Instrucciones de seguridad para el funcionamiento

- El uso frecuente o continuo del producto puede provocar el síndrome del "dedo blanco" o problemas médicos similares debido a las vibraciones. Observe el estado de sus manos y dedos si usa el producto de forma frecuente o continua. Si sus manos o dedos presentan decoloración, dolor, hormigueo o entumecimiento, deje de trabajar y acuda a un médico de inmediato.
- Asegúrese de que el producto esté completamente montado antes de utilizarlo.
- El producto puede causar proyección de objetos, lo que puede provocar daños en los ojos. Use siempre una protección ocular homologada cuando utilice el producto.
- Tenga cuidado: mientras está trabajando, un niño puede acercarse al producto sin que usted se dé cuenta.
- No utilice el producto si hay otra persona en la zona de trabajo. Detenga el producto si alguien entra en la zona de trabajo.

(Fig. 24)

- Asegúrese de tener siempre el control del producto.

- El producto debe manejarse con las dos manos. No utilice el producto con una sola mano. Podrían ocasionarse daños graves al operador, los trabajadores, las personas presentes o cualquier otra persona si se usa con una sola mano.
- Sujete el mango delantero con la mano izquierda y el mango trasero con la mano derecha. Mantenga el producto en el lado derecho del cuerpo.

(Fig. 25)

- Nunca utilice el producto si está cansado o enfermo, o si se encuentra bajo los efectos del alcohol o drogas.
- No utilice el producto si no puede recibir ayuda en caso de accidente. Antes de empezar a usar el producto, asegúrese de que todas las personas presentes lo sepan.
- No se gire con el producto sin asegurarse primero de que no hay personas ni animales en la zona de seguridad.
- Retire todos los materiales no deseados de la zona de trabajo antes de empezar. Si la cadena choca contra un objeto, el objeto puede salir despedido y provocar daños o lesiones. El material no deseado puede enrollarse en la cadena y provocar daños.
- No utilice el producto en condiciones climáticas desfavorables (como niebla, lluvia, viento fuerte, riesgo de rayos u otras condiciones climáticas peligrosas). Las condiciones climáticas desfavorables pueden provocar condiciones peligrosas (como superficies resbaladizas).
- Asegúrese de que puede moverse libremente y trabajar en una postura estable
- Asegúrese de que no corre riesgo de caerse mientras utiliza el producto. No se incline mientras utiliza el producto.
- Sujete siempre el producto con ambas manos. Sujete el mango delantero con la mano izquierda y el mango trasero con la mano derecha. Mantenga el producto en el lado derecho del cuerpo.
- Si el mando del estrangulador está en la posición de estrangulamiento cuando arranque el motor, la cadena comienza a girar.
- Pare el motor antes de mover el producto.
- No deje el producto en el suelo con el motor encendido.
- Antes de retirar los materiales no deseados del producto, detenga el motor. Deje que la cadena se detenga antes de que usted o un ayudante retire el material cortado.
- No arranque el producto estando en un árbol. Puede sufrir daños personales si utiliza el producto mientras está subido en un árbol.

(Fig. 26)

- El freno de cadena debe estar activado cuando el producto se pone en marcha para reducir el riesgo de que la cadena de sierra entre en contacto con el usuario durante el arranque.

(Fig. 27)

- Evite la reculada, patinaje, rebotes y caídas, ya que pueden provocar daños graves.
- Respete todas las normas de seguridad para evitar que el producto recule o genere otras fuerzas, lo cual podría provocar daños graves.
- Ajuste la tensión de la cadena de sierra con regularidad para asegurarse de que la cadena de sierra no esté floja. Una cadena de sierra poco tensa puede soltarse y causar daños graves, incluso mortales.
- No tale árboles con un procedimiento incorrecto. Puede provocar lesiones a personas, impactar una línea de servicios públicos o causar daños a la propiedad.
- El operador debe mantenerse siempre en el lado superior del terreno, ya que es probable que el árbol ruede o se deslice hacia abajo al talarlo.

(Fig. 28)

- Planifique y prepare una ruta de escape antes de comenzar a realizar los cortes. La vía de escape debe extenderse hacia atrás y en diagonal hasta la parte trasera de la línea de caída esperada.

(Fig. 29)

- Pare siempre el motor antes de mover el producto entre los árboles.
- Asegúrese de que pone firmemente los pies en el suelo y su peso descansa sobre ellos de forma equilibrada.

(Fig. 30)

- Mantenga en todo momento una posición correcta de los pies y manipule el producto únicamente cuando se encuentre en una superficie nivelada, sólida y segura. Las superficies resbaladizas o inestables, tales como las escaleras, pueden causar una pérdida de equilibrio o control.

(Fig. 31)

Reculadas, patinaje, rebotes y caídas

Distintas fuerzas pueden tener un efecto sobre la seguridad del control del producto.

- El **patinaje** se produce cuando la espada se mueve rápidamente por la madera.
- Un **rebote** se produce cuando la espada se levanta de la madera y la toca una y otra vez.
- Una **caída** se produce cuando el producto cae tras realizar el corte. Esto puede provocar que la cadena en movimiento entre en contacto con una parte del cuerpo u otros objetos, lo que podría provocar lesiones o daños.
- La **reculada** es cuando el extremo de la espada toca objetos y se mueve hacia atrás, hacia arriba o hacia adelante de manera repentina. La reculada también se produce cuando la madera se cierra haciendo que la cadena de sierra quede atascada durante el corte. Se puede perder el control del producto si este toca un objeto extraño en la madera.

(Fig. 32)

- La **reculada por rotación** se produce cuando la cadena en movimiento del extremo superior de la espada entra en contacto con un objeto. Esto puede hacer que la cadena se hincque en el objeto y se detenga inmediatamente, lo que provoca una rápida contrarreacción que impulsa la espada hacia arriba y hacia atrás en dirección al usuario. (Fig. 33)
- Una **reculada** puede producirse cuando la cadena de sierra se detiene repentinamente durante el corte. La madera encierra y atrapa la cadena de sierra en movimiento de la parte superior de la espada. La cadena de sierra se detiene de forma repentina y hace que el producto se mueva en la dirección opuesta a la del giro de la cadena. El producto se mueve hacia atrás en la dirección del operador. (Fig. 34)
- La **retención** tiene lugar cuando la cadena de sierra se detiene repentinamente si la cadena móvil entra en contacto con un objeto extraño en la madera a lo largo de la parte inferior de la espada. La parada repentina impulsa el producto hacia delante y en dirección contraria al usuario, que podría perder el control del producto. (Fig. 35)

Debe entender las diferentes fuerzas y cómo evitarlas antes de usar el producto. Consulte *Para evitar las reculadas, el patinaje, los rebotes y las caídas en la página 57.*

Para evitar las reculadas, el patinaje, los rebotes y las caídas

- Cuando el motor está en funcionamiento, asegúrese de sujetar bien el producto. Agarre el mango trasero con la mano derecha y el mango delantero con la mano izquierda. Sujete firmemente los mangos con los pulgares y dedos. No los suelte.
- Mantenga el control del producto mientras se corta y después de que la madera caiga al suelo. No deje que el peso del producto caiga tras realizar el corte.
- Asegúrese de que el área en el que se realiza el corte no contiene obstrucciones. No deje que la punta de la espada entre en contacto con un tronco, una rama o cualquier otra obstrucción mientras esté utilizando el producto. (Fig. 36)
- Realice el corte a altas velocidades del motor.
- No intente acceder a lugares demasiado altos y no corte a una altura superior a la de sus hombros. (Fig. 37)
- Respete las instrucciones de afilado y mantenimiento del fabricante de la cadena de sierra.
- Utilice únicamente las espadas y cadenas de sierra indicadas por el fabricante.
- Una profundidad de corte excesiva aumenta la propensión a las reculadas de la cadena.

Equipo de protección personal

- Utilice siempre el equipo de protección personal adecuado cuando utilice el producto. El equipo de protección personal reduce la gravedad de las lesiones en caso de accidente, pero no las evita.
- No utilice ropa holgada que pueda engancharse en la cadena de sierra.
- Utilice un casco protector homologado.
- Utilice siempre protección auditiva homologada mientras utiliza el producto. La exposición al ruido durante un periodo de tiempo prolongado puede causar pérdida de audición.
- Utilice gafas protectoras o visera para reducir el riesgo de lesiones causados por objetos lanzados. El producto puede mover objetos con gran fuerza, como astillas de madera y trozos de madera pequeños. Ello comporta riesgo de daños personales graves, incluso en los ojos.
- Utilice guantes con protección de la motosierra.
- Utilice pantalones con protección de la motosierra.
- Use botas con puntera con protección de la motosierra, puntera de acero y suelas antideslizantes.
- Asegúrese de que tiene cerca un botiquín de primeros auxilios.
- Pueden producirse chispas en el silenciador, la espada y la cadena de sierra u otras fuentes. Tenga siempre a mano herramientas para extinguir incendios y una pala para evitar incendios forestales.

Dispositivos de seguridad en el producto

- No utilice un producto con equipo de protección dañado. Si el producto está dañado, hable con un centro de servicio autorizado.

Para examinar el botón de parada

1. Arranque el motor. Consulte *Antes de arrancar el motor en la página 60*.
2. Asegúrese de que el motor se detiene al poner el botón de parada en la posición de parada.

Para examinar el bloqueo del acelerador

1. Asegúrese de que el acelerador (B) esté bloqueado en ralentí cuando suelte el bloqueo del acelerador (A) (Fig. 38)
2. Presione el bloqueo del acelerador (A) y asegúrese de que vuelve a su posición inicial al soltarlo.
3. Empuje el acelerador (B) y asegúrese de que vuelve a su posición inicial al soltarlo.
4. Arranque el motor y, a continuación, aplique la aceleración máxima.
5. Suelte acelerador y examine si la cadena de sierra se detiene.

6. Si la cadena de sierra gira con el acelerador en la posición de ralentí, examine el tornillo de ajuste de ralentí del carburador.

Protección

La protección impide que salgan despedidos objetos hacia el usuario. La protección también evita el contacto accidental entre el usuario y la cadena de sierra.

- Asegúrese de que se permite utilizar la protección junto con el producto.
- No utilice el producto sin protección.
- Asegúrese de que la protección no esté dañada. Sustituya la protección si está desgastada o dañada.

Seguridad en el uso del combustible

- No arranque el producto si está manchado con combustible o aceite del motor. Retire el combustible/aceite no deseado y deje secar el producto. Retire el combustible no deseado del producto.
- Si derrama combustible sobre la ropa, cámbiese inmediatamente.
- Evite el contacto con el combustible; puede provocarle lesiones. Si entra en contacto con el combustible, utilice jabón y agua para eliminar el combustible.
- No arranque el motor si derrama aceite o combustible sobre el producto o sobre su cuerpo.
- No arranque el motor si el producto tiene una fuga. Examine frecuentemente si hay fugas en el motor.
- Tenga cuidado con el combustible. El combustible es inflamable, sus vapores son explosivos y puede provocar lesiones o la muerte.
- No inhale los vapores de combustible, ya que pueden causar lesiones. Asegúrese de que hay ventilación suficiente.
- No fume cerca del combustible o el motor.
- No coloque objetos calientes cerca del combustible o el motor.
- No agregue el combustible con el motor encendido.
- Asegúrese de que el motor esté frío antes repostar.
- Antes de repostar, abra la tapa del depósito de combustible lentamente y deje salir el exceso de presión con cuidado.
- No añada combustible al motor en interiores. Una circulación de aire insuficiente puede causar lesiones o la muerte por asfixia o inhalación de monóxido de carbono.
- Apriete la tapa del depósito de combustible con cuidado o puede producirse un incendio.
- Antes de arrancarlo, lleve el producto a 3 m (10 pies) de distancia como mínimo del punto en el que llenó el depósito.
- No ponga demasiado combustible en el depósito de combustible.
- Asegúrese de que no pueda producirse una fuga al mover el producto o recipiente de combustible.

- No coloque el producto o un recipiente de combustible cerca de una llama descubierta, chispa o llama piloto. Asegúrese de que la zona de almacenamiento no contiene una llama descubierta.
- Utilice únicamente recipientes homologados para transportar o almacenar el combustible.
- Vacíe el depósito de combustible antes de almacenarlo por un tiempo prolongado. Respete la legislación local sobre lugares aptos para desechar combustible.
- Limpie el producto antes de almacenarlo por un tiempo prolongado.
- Desconecte el cable de la bujía antes de almacenar el producto para asegurarse de que el motor no arranque accidentalmente.

Instrucciones de seguridad para el mantenimiento

- Desconecte la bujía antes de realizar tareas de mantenimiento en el producto, excepto cuando ajuste el carburador.
- Todas las tareas de mantenimiento del producto las debe realizar un concesionario autorizado, salvo las tareas de *MANTENIMIENTO en la página 62*.
- Asegúrese de que la cadena de sierra se detiene cuando se suelta el acelerador.
- Mantenga los mangos secos, limpios y sin aceite ni mezcla de combustible.
- Mantenga los tapones y fiadores bien apretados.
- Los componentes de recambio no homologados o la eliminación de los dispositivos de seguridad pueden

causar daños en el producto. Esto puede provocar lesiones al usuario y a otras personas. Utilice únicamente accesorios y piezas de repuesto originales, tal como se recomienda. No cambie el producto.

- Mantenga la cadena de sierra afilada y limpia para un uso seguro y de alto rendimiento.
- Respete las instrucciones correspondientes para la lubricación y el cambio de accesorios.
- Examine el producto por si hubiera piezas dañadas. Antes de usar más el producto, asegúrese de que la protección o pieza dañada funciona correctamente. Examine si hay piezas rotas o incorrectamente alineadas y piezas que no se mueven libremente. Examine otras condiciones que pueden afectar al funcionamiento del producto. Asegúrese de que la cadena está correctamente tensada. Una protección o pieza dañada debe repararse o sustituirse por un concesionario autorizado, a menos que se escriba lo contrario en el manual de instrucciones.
- Cuando no esté en funcionamiento, mantenga el producto en un lugar seco, alto o en una zona bloqueada alejada de niños.
- Durante el transporte o almacenamiento del producto, utilice una cubierta de espada o una caja para mover el producto.
- No utilice aceite residual. El aceite residual puede ser peligroso para usted y puede causar daños en el producto y el medio ambiente.

MONTAJE



ADVERTENCIA: Asegúrese de leer y comprender el capítulo sobre seguridad antes de montar el producto.

Para montar la espada y la cadena

1. Retire el sombrerete de bujía de la bujía durante el montaje para evitar un arranque accidental. (Fig. 39) (Fig. 40)
2. Retire las tuercas de la espada y la cubierta del embrague. Retire la protección de transporte (A). (Fig. 41)
3. Ponga la espada sobre los tornillos de espada. Dirija la espada a su posición más posterior.
4. Use guantes protectores de motosierra.
5. Levante la cadena sobre el piñón de arrastre y acóplela en la ranura de la espada. Empiece con la parte superior de la espada. (Fig. 42)
6. Asegúrese de que los bordes de los eslabones de corte están orientados hacia delante en la parte superior de la espada.
7. Monte la cubierta del embrague y ponga el pasador de ajuste de cadena en el orificio de la espada.
8. Asegúrese de que los eslabones de arrastre de la cadena de sierra encajan correctamente en el piñón de arrastre. Asimismo, asegúrese de que la cadena de sierra está correctamente acoplada en la ranura de la espada.
9. Apriete a mano las tuercas de la espada.
10. Tense la cadena de sierra girando el tornillo de tensado de cadena hacia la derecha con la llave combinada. Tense la cadena de sierra hasta que deje de colgar por la parte inferior de la espada pero pueda girarla fácilmente con la mano. (Fig. 43) y (Fig. 44)
11. Sujete el extremo de la espada y apriete las tuercas de la espada con la llave combinada. (Fig. 45)
 - Examine la tensión de la cadena con frecuencia tras montar una nueva cadena de sierra y hasta que se haya hecho el rodaje de la cadena de sierra.
 - Examine la tensión de la cadena regularmente. La tensión correcta se traduce en un buen rendimiento de corte y una larga vida útil.

FUNCIONAMIENTO



ADVERTENCIA: Asegúrese de leer y comprender el capítulo sobre seguridad antes de utilizar el producto.

Para usar combustible



PRECAUCIÓN: Este producto tiene un motor de dos tiempos. Utilice una mezcla de gasolina y aceite de motor de dos tiempos. Asegúrese de que utiliza la cantidad correcta de aceite en la mezcla. Una mezcla de gasolina y aceite en proporción incorrecta puede causar daños en el motor.

Relación de mezcla de combustible

La relación de mezcla de combustible para la gasolina y aceite del motor de dos tiempos es de 50:1 (2 %).

Gasolina	Aceite de motor de dos tiempos
1 galón estadounidense	77 ml (2,6 oz)
1 galón británico	95 ml (3,2 oz)
5 l	100 ml (3,4 oz)

Para hacer la mezcla de combustible

1. Determine la cantidad correcta de gasolina y aceite del motor (relación de mezcla de 50:1). No prepare cantidad de mezcla de combustible para más de 30 días. Consulte *Relación de mezcla de combustible en la página 60*.
2. Agregue la cantidad de gasolina a un recipiente de combustible limpio con válvula antirreboso.



PRECAUCIÓN: No utilice gasolina con una concentración de etanol de más del 10 % (E10). Esto puede provocar daños en el producto.



PRECAUCIÓN: No utilice gasolina con un octanaje inferior a 90 octanos RON (87 AKI). Esto puede provocar daños en el producto.

Nota: Utilice gasolina con un mayor octanaje si utiliza con frecuencia el producto a un régimen del motor alto de manera continua.

3. Añada la cantidad total de aceite del motor de dos tiempos al recipiente de combustible.



PRECAUCIÓN: Utilice siempre aceite del motor de dos tiempos refrigerado por aire de alta calidad. Otros aceites pueden provocar daños en el producto.

4. Agite bien la mezcla de combustible para mezclar el contenido.
5. A continuación, añada el resto de la cantidad de gasolina al recipiente de combustible.
6. Agite bien la mezcla de combustible para mezclar el contenido.
7. Llene el depósito de combustible del producto con la mezcla de combustible. Consulte *Relación de mezcla de combustible en la página 60*.

Para llenar el depósito de combustible

1. Asegúrese de que la mezcla de combustible es correcta y que se encuentre en un recipiente de combustible con válvula antirreboso.
2. Si hay combustible en el recipiente, retire el combustible no deseado y deje secar el recipiente.
3. Asegúrese de que la zona cercana a la tapa del depósito de combustible está limpia.
4. Extraiga el tapón del depósito de combustible. (Fig. 46)
5. Sacuda el contenedor de combustible antes de agregar la mezcla de combustible al depósito de combustible.
6. Extraiga el tapón del depósito de combustible.

Para lubricar la cadena de sierra

El producto cuenta con un sistema de lubricación automática. Sólo se debe utilizar el aceite para cadena correcto y debe respetar las instrucciones.

1. Utilice aceite para cadena de origen vegetal o un aceite para cadena estándar.
2. Asegúrese de que la zona cercana a la tapa del depósito de aceite de cadena esté limpia.
3. Retire la tapa del depósito de aceite para cadena de sierra.
4. Llene el depósito de aceite de la cadena de sierra con el aceite para cadena de sierra recomendado.
5. Vuelva a colocar la tapa del depósito de aceite de cadena ().

Antes de arrancar el motor

- Examine el producto para asegurarse de que no faltan piezas, ni están dañadas, sueltas o desgastadas.
- Inspeccione tuercas, tornillos y pernos.
- Examine el filtro de aire.

- Examine el bloqueo del gatillo del acelerador y el acelerador para comprobar su correcto funcionamiento.
- Examine que el interruptor de parada funciona correctamente.
- Examine el producto por si hubiera fugas de combustible.
- Examine el afilado y la tensión de la cadena de sierra.

Para arrancar el motor en frío

1. Mueva la protección contra reculadas hacia delante para activar el freno de cadena. (Fig. 47)
2. Tire del estrangulador hacia afuera y hacia arriba.
3. Oprima la perilla de cebado 6 veces. (Fig. 48)
4. Sujete el cuerpo del producto contra el suelo con la mano izquierda. No pise el producto. Tire de la empuñadura de la cuerda de arranque lentamente hasta que note algo de resistencia. A continuación, tire de la empuñadura de la cuerda de arranque con fuerza. (Fig. 49)

Nota: No tire del acelerador mientras arranca el motor.

5. Continúe tirando de la empuñadura de la cuerda de arranque hasta que el motor arranque o intente arrancar (máx. 3 veces). Si el motor arranca o intenta arrancar, presione el estrangulador hacia abajo. (Fig. 50)



PRECAUCIÓN: No tire de la cuerda de arranque hasta que se detenga. No suelte la cuerda de arranque cuando esté completamente extendida. Suelte la cuerda de arranque lentamente. Si no se siguen estas instrucciones, se puede dañar el motor.

6. Continúe tirando hasta que el motor arranque. Espere 60 segundos tras el arranque antes de tirar del acelerador.
7. Tire de la protección contra reculadas hacia atrás en la dirección del mango delantero para desacoplar el freno de cadena.
8. Sujete el mango trasero con la mano derecha y el mango delantero con la mano izquierda.
9. Use el producto.

Para arrancar el motor en caliente

1. Mueva la protección contra reculadas hacia delante para activar el freno de cadena. (Fig. 51)
2. Tire del estrangulador hacia afuera y hacia arriba.
3. Oprima la perilla de cebado 6 veces. (Fig. 52)
4. Presione el estrangulador hacia abajo. (Fig. 53)
5. Sujete el cuerpo del producto contra el suelo con la mano izquierda. No pise el producto. Tire de la empuñadura de la cuerda de arranque lentamente

hasta que note algo de resistencia. A continuación, tire de la empuñadura de la cuerda de arranque con fuerza. (Fig. 54)



PRECAUCIÓN: No tire de la cuerda de arranque hasta que se detenga. No suelte la cuerda de arranque cuando esté completamente extendida. Suelte la cuerda de arranque lentamente. Siga estas instrucciones para evitar daños en el motor.

Nota: No tire del acelerador mientras arranca el motor.

6. Continúe tirando de la empuñadura de la cuerda de arranque hasta que el motor arranque o intente arrancar (máx. 3 veces). Espere 60 segundos tras el arranque antes de tirar del acelerador.
7. Tire de la protección contra reculadas hacia atrás en la dirección del mango delantero para quitar el freno de cadena.
8. Sujete el mango trasero con la mano derecha y el mango delantero con la mano izquierda.
9. Use el producto.

Para arrancar el motor cuando el combustible está demasiado caliente

Si el producto no arranca, puede que el combustible esté muy caliente.

Nota: Utilice siempre combustible nuevo y reduzca el tiempo de funcionamiento cuando haga demasiado calor.

1. Coloque el producto en un área fresca alejada de la luz solar directa.
2. Deje que el producto se enfríe durante 20 minutos como mínimo.
3. Presione la perilla una y otra vez durante 10-15 segundos.
4. Siga el procedimiento para arrancar un motor frío. Consulte *Para arrancar el motor en frío en la página 61*.

Para detener

- Presione el botón de parada para detener el motor.

Nota: El interruptor de parada regresa automáticamente a su posición inicial.

Para usar un apoyo de corteza

El apoyo de corteza impide las reculadas y sujeta la madera durante el corte. El apoyo de corteza es un pivote entre el cuerpo del motor y la espada.

1. Coloque el extremo inferior del apoyo de corteza en la anchura de bisagra correcta.
2. Presione, con la mano izquierda, el mango delantero mientras levanta el mango trasero con la mano derecha.
3. Utilice la sierra hasta llegar a la anchura de bisagra correcta.

Nota: La bisagra debe tener un grosor igual.

4. Corte con la sierra más de la mitad del diámetro y, a continuación, vuelva a colocar la cuña de derribo en el corte de sierra.

Para talar un árbol

1. Retire la suciedad, las piedras, la corteza suelta, los clavos, las grapas y los alambres del árbol.
2. Realice una muesca de 1/3 del diámetro del tronco perpendicular a la dirección de la caída. (Fig. 55)
3. Realice un corte de muesca horizontal inferior. Esto ayuda a evitar pinzamientos en la cadena de sierra o la espada cuando se hace la segunda muesca.
4. Realice el corte de derribo (X) un mínimo de 50 mm (2 pulg.) más alto que el corte de la muesca horizontal. Mantenga el corte de derribo paralelo al corte de muesca horizontal, de manera que haya madera suficiente para que sirva de bisagra. No corte por la bisagra. La bisagra de madera evita que el árbol gire y caiga en la dirección incorrecta. (Fig. 56) y (Fig. 57)
5. Cuando el corte de derribo se realiza cerca de la bisagra, el árbol comienza a caer. Asegúrese de que el árbol cae en la dirección correcta y no se balancea hacia atrás y aplasta la cadena de sierra. Detenga el corte antes de realizar el corte de derribo para evitarlo. Utilice cuñas de madera, plástico o aluminio para abrir el corte y dejar caer el árbol a lo largo de la línea necesaria de caída. (Fig. 58)

6. Cuando el árbol comienza a caer, quite el producto del corte. Detenga el motor, coloque el producto hacia abajo y utilice la ruta de escape prevista. Preste atención a las ramas que caigan desde arriba y vigile dónde pisa. (Fig. 59)

Para desramar un árbol

1. Utilice ramas más largas para mantener el tronco alejado del suelo.
2. Retire las ramas pequeñas con un corte. (Fig. 60)
3. Corte las ramas que tienen la tensión desde la parte inferior a la superior para evitar pinzamiento en la cadena de sierra o la espada.

Para dividir un tronco



PRECAUCIÓN: No deje que la cadena de sierra entre en contacto con el suelo.

- Si el tronco tiene soporte en toda su longitud, corte desde la parte superior del tronco (conocido como división superior). (Fig. 61)
- Si el tronco tiene soporte en un extremo, corte 1/3 del diámetro desde abajo del tronco (conocido como división inferior).
- Si el tronco tiene soporte en dos extremos, corte 1/3 del diámetro desde la parte superior. El primer corte, mediante división inferior, debe cubrir los 2/3 inferiores del tronco. (Fig. 62)
- Si divide un tronco en una pendiente, permanezca siempre en el lado superior del terreno. Corte el tronco mientras mantiene un control completo del producto. A continuación, suelte la presión de corte cerca del fin del corte mientras sostiene firmemente el mango trasero y el mango delantero. (Fig. 63)

MANTENIMIENTO



ADVERTENCIA: Asegúrese de leer y comprender el capítulo sobre seguridad antes de limpiar, reparar o realizar tareas de mantenimiento en el producto.

Programa de mantenimiento

Asegúrese de que se respete el programa de mantenimiento. Los intervalos se calculan a partir de uso diario del producto. Los intervalos son diferentes si no utiliza el producto cada día. Realice solamente el trabajo de mantenimiento indicado en este manual. Hable con un centro de servicio autorizado acerca de otros trabajos de mantenimiento que no aparezcan en este manual.

Mantenimiento diario

- Limpie las superficies externas.
- Asegúrese de que bloquee el gatillo y el gatillo funcionan correctamente.
- Limpie el freno de cadena y compruebe que funcione correctamente.
- Examine el captor de cadena en busca de daños. Sustituya el captor de cadena si está dañado.
- Gire la espada cada día para que se desgaste de manera uniforme.
- Asegúrese de que el orificio de lubricación de la espada no esté obstruido.
- Retire el serrín y otros materiales no deseados de debajo de la cubierta del piñón.
- Limpie la ranura de la espada. (Fig. 64)

- Asegúrese de que la espada y la cadena de sierra tienen suficiente aceite.
- Examine la cadena de sierra para comprobar lo siguiente:
 - Grietas visibles en los remaches y eslabones.
 - Remaches y eslabones irregularmente desgastados.
 - La tensión es la correcta.
 - Rebabas en los eslabones de arrastre de la cadena.

Si es necesario, sustituya la cadena de sierra.

- Afíle la cadena de sierra. Consulte *Para afilar la cadena de sierra en la página 64*.
- Verifique que el piñón de arrastre de la cadena no esté demasiado desgastado y cámbielo si es necesario. (Fig. 65)
- Limpie la toma de aire del alojamiento del motor.
- Asegúrese de que las tuercas y los tornillos están bien apretados.
- Controle que el bloqueador de interruptor funcione correctamente.

Mantenimiento semanal

- Controle que el sistema refrigerante funcione correctamente.
- Asegúrese de que el motor de arranque, el cordón de arranque y el resorte de retorno funcionan correctamente.
- Compruebe que los aisladores de vibraciones no están dañados.

(Fig. 66)

- Lime las rebabas en los bordes de la espada.
- Limpie o cambie el apagachispas del silenciador.

(Fig. 67)

- Limpie las superficies externas del carburador y las zonas adyacentes.
- Limpie el filtro de aire. Para garantizar la máxima limpieza, instale un nuevo filtro de aire si está dañado o demasiado sucio. Consulte *Para limpiar el filtro de aire en la página 64* para obtener más información.

Mantenimiento mensual

- Compruebe si está desgastada la cinta del freno de cadena. Sustituya cuando el grosor de la cinta de freno sea inferior a 0,6 mm (0,024 in) en el punto más gastado.

(Fig. 68)

- Compruebe si están desgastados el centro, el tambor y el muelle de embrague.
- Limpie la bujía. Compruebe que la distancia entre los electrodos sea correcta.

(Fig. 69)

- Limpie las superficies externas del carburador y las zonas adyacentes.
- Revise el filtro y la manguera de combustible. Cámbielo si es necesario.
- Vacíe el depósito de combustible.
- Vacíe el depósito de aceite.
- Examine todos los cables y conexiones.

Mantenimiento anual

- Examine la bujía.
- Limpie las superficies externas del carburador y las zonas adyacentes.
- Limpie el sistema de refrigeración.
- Examine el apagachispas.
- Examine el filtro de combustible.
- Examine la manguera de combustible en busca de daños.
- Examine todos los cables y conexiones.

Mantenimiento intermitente

- Lleve el producto a un centro de servicio autorizado para reparar o sustituir el silenciador tras 50 horas de funcionamiento.
- Realice el mantenimiento de la bujía cuando:
 - El nivel de potencia del motor sea bajo.
 - Sea difícil arrancar el motor.
 - El motor no funcione correctamente al régimen de ralentí.
- Realice una comprobación de la lubricación de la cadena de sierra cada vez que reposte. Consulte *Para comprobar la lubricación de la cadena de sierra en la página 65*.

Para ajustar el régimen de ralentí

Asegúrese de que el filtro de aire está limpio y la cubierta del filtro de aire está conectada antes de ajustar el régimen de ralentí.

1. Gire el tornillo de ajuste de ralentí, que se identifica con una marca de "T", hacia la derecha hasta que la cadena de sierra comience a girar.
2. Gire el tornillo de ajuste de ralentí, que se identifica con una marca de "T", hacia la izquierda hasta que la cadena de sierra se detenga.
3. El régimen de ralentí debe ser inferior a la velocidad cuando la cadena de sierra comienza a girar. El régimen de ralentí es correcto cuando el motor funciona con suavidad en todas las posiciones.

Para realizar el mantenimiento del apagachispas

- Utilice un cepillo de alambre para limpiar el apagachispas. (Fig. 70)

Para realizar el mantenimiento de la bujía



PRECAUCIÓN: Utilice la bujía recomendada. Asegúrese de que el recambio es el mismo que la pieza suministrada por el fabricante. Una bujía incorrecta puede provocar daños en el producto.

1. Si el producto resulta difícil de arrancar o funcionar, examine la bujía en busca de materiales no deseados. Para reducir el riesgo de material no deseado en los electrodos de la bujía:
 - a) Asegúrese de que el régimen de ralentí esté bien ajustado.
 - b) Asegúrese de que la mezcla de combustible sea correcta.
 - c) Asegúrese de que el filtro de aire esté limpio.
2. Limpie la bujía si está sucia. Compruebe que la distancia entre los electrodos sea correcta. (Fig. 71)
3. Sustituya la bujía cuando sea necesario.

Para limpiar el filtro de aire

1. Saque la cubierta del filtro de aire y extraiga el filtro de aire. (Fig. 72)
2. Limpie el filtro de aire con agua jabonosa tibia. Asegúrese de que el filtro de aire esté seco antes de instalarlo.
3. Sustituya el filtro de aire si está demasiado sucio para poder limpiarlo completamente. Sustituya siempre el filtro de aire si se avería.

Para afilar la cadena de sierra

La cortadora

La parte cortante de una cadena de sierra se denomina cortadora, formada por un diente de corte (A) y un calibre de profundidad (B). La distancia en altura entre ellos determina la profundidad de corte (C).

(Fig. 73)

Hay tres medidas que considerar para el afilado del diente de corte.

- Ángulo de afilado.

(Fig. 74)

- Ángulo de corte.

(Fig. 75)

- Posición de la lima.

(Fig. 76)

- Diámetro de la lima redonda.

(Fig. 77)

Afilado de los dientes de corte

Utilice una lima redonda y un calibrador de afilado para afilar los dientes de corte. Consulte *Combinaciones de cadena de sierra y afilado de la cadena de sierra en la página 67* para información sobre la dimensión recomendada del archivo y el calibrador de la cadena de sierra instalada en el producto.

(Fig. 78)

1. Asegúrese de que la cadena de sierra tiene la tensión correcta. Una cadena sin la tensión correcta se mueve hacia un lado y no se afila correctamente.
2. Utilice la lima en todos los dientes de un lado. A continuación, use la lima en los dientes de corte de la cara interior y reduzca la presión en la dirección inversa.
3. Gire el producto en el lado opuesto y utilice la lima en los dientes.
4. Utilice la lima para mantener todos los dientes a la misma longitud. Sustituya un cadena de sierra desgastada cuando la longitud de los dientes de corte se reduzca a 4 mm (5/32 pulg.).

Para ajustar el calibre de profundidad

Afile los dientes de corte antes de ajustar el calibre de profundidad. Consulte *Afilado de los dientes de corte en la página 64*. Al afilar el diente de corte (A), se reduce el calibre de profundidad (C). Para mantener una capacidad máxima de corte, hay que bajar el calibre de profundidad (B) al nivel recomendado. Consulte *Combinaciones de cadena de sierra y afilado de la cadena de sierra en la página 67* para conocer el ajuste del calibre de profundidad correcto de la cadena.

(Fig. 79)

(Fig. 80)

Nota: Esta recomendación presupone que la longitud de los dientes de corte no se ha reducido anormalmente.

Utilice una lima plana y un calibrador de profundidad para ajustar el calibre de profundidad.

1. Ponga el calibrador de profundidad por encima de la cadena de sierra. En el envase del calibrador de profundidad hay instrucciones sobre su empleo.
2. Utilice la lima plana para limar el sobrante de la parte sobresaliente del talón de profundidad. La profundidad de corte es correcta cuando no se nota resistencia alguna al pasar la lima sobre el calibrador.

Para tensar la cadena de sierra

Nota: Revise la tensión de una nueva cadena de sierra a menudo durante su periodo de rodaje.

1. Afloje las tuercas de la espada que fijan la cubierta del piñón. Utilice la llave combinada. (Fig. 81)

2. Apriete las tuercas a mano, lo más fuerte que pueda.
 3. Levante la parte superior de la espada y amplíe la cadena de sierra apretando el tornillo de tensado de cadena. Utilice la llave combinada. Tense la cadena de sierra hasta que deje de colgar por la parte inferior de la espada. (Fig. 82)
 4. Apriete las tuercas de la espada con la llave combinada y levante la puntera de la espada al mismo tiempo. (Fig. 83)
 5. Asegúrese de que puede tirar de la cadena de sierra con la mano con facilidad y que no cuelga. (Fig. 84)
- superficie de color claro situada a unos 20 cm (8 pulgadas) de distancia.
 2. Después de 1 minuto de funcionamiento, una línea de aceite se muestra en la superficie de la luz.
 3. Si no puede ver la línea de aceite después de 1 minuto, limpie el canal de aceite de la espada. Limpie la ranura del borde de la espada. Asegúrese de que el piñón de la punta de la espada gira libremente y que no hay obstrucciones en el orificio de lubricación. Limpie y lubrique el piñón de la punta.
 4. Arranque el producto y déjelo funcionar a 3/4 de la velocidad. Dirija la punta de la espada hacia una superficie de color claro situada a casi 20 cm (8 pulg.) de distancia.
 5. Después de 1 minuto de funcionamiento, una línea de aceite se muestra en la superficie de la luz.
 6. Si no puede ver la línea de aceite después de 1 minuto, póngase en contacto con su concesionario autorizado.

Para lubricar el equipo de corte

Para comprobar la lubricación de la cadena de sierra

Compruebe la lubricación de la cadena de sierra cada vez que se reposte.

1. Arranque el producto y déjelo funcionar a 3/4 de la velocidad. Dirija la punta de la espada hacia una

TRANSPORTE

- Limpie regularmente los depósitos de combustible y de aceite para cadena antes del transporte. Deseche los líquidos usados correctamente.
- Coloque la cubierta de la espada en el equipo de corte durante el transporte. Esto evita que las personas toquen la afilada cadena de sierra por accidente. Una cadena de sierra que no está en funcionamiento puede provocar lesiones al usuario o a otras personas que toquen la cadena de sierra afilada.
- Retire el sombrerete de bujía de la bujía y accione el freno de cadena antes del transporte.
- Asegúrese de que el producto no se mueva durante el transporte.

ALMACENAMIENTO

- Cuando no esté en funcionamiento, guarde el producto de forma segura. Las fugas y los gases de escape del producto pueden entrar en contacto con chispas, llamas de equipos eléctricos, cortacésped eléctricos, relés/interruptores, calderas, etc.
- Guarde siempre el combustible en un recipiente homologado.
- Vacíe el depósito de combustible y de aceite para cadena cuando el producto se guarda durante largos periodos de tiempo. Deseche los líquidos usados correctamente.
- Durante el almacenamiento, ponga la cubierta de la espada. Así se evita que se toque accidentalmente la cadena de sierra afilada. Una cadena de sierra que no está en funcionamiento puede provocar lesiones graves al usuario o a quienes toquen la cadena de sierra afilada.
- Retire el sombrerete de bujía de la bujía y accione el freno de cadena antes del almacenamiento.

DATOS TÉCNICOS

	unidad	130 (H13038HV)	135 Mark II (H13038HV)
Especificaciones del motor			
Cilindrada	cm ³	38	38
Bujía	—	NGK BPMR 7A	NGK BPMR 7A
Distancia entre los electrodos	mm (in)	0,5 (0,02)	0,5 (0,02)

	unidad	130 (H13038HV)	135 Mark II (H13038HV)
Volumen del depósito de combustible	cm ³	350	350
Velocidad en ralentí	min ⁻¹	2800-3200	2800-3200
Potencia de salida a 9000 min ⁻¹	kW	1.5	1,6
Período de durabilidad de emisiones	h	125	125
Datos de vibración y ruido			
Nivel de vibraciones equivalente (ahv, eq) mango izquierdo ¹⁶	m/s ²	3,72	3,72
Nivel de vibraciones equivalente (ahv, eq) mango derecho ¹⁷	m/s ²	5,5	5,5
Nivel de potencia acústica garantizado (L _{WA}) ¹⁸	dB(A)	116	116
Nivel de potencia acústica medida ¹⁹	dB(A)	114	114
Nivel de presión sonora en el oído del operador ²⁰	dB(A)	102	102
Dimensiones del producto			
Peso (sin equipo de corte)	kg	4,68 (10,3)	4,68 (10,3)
Volumen del depósito de aceite	cm ³	260	260
Sistema de combustible y lubricación			
Capacidad de la bomba de aceite a 9000 min ⁻¹	ml/min	9	9
Tipo de bomba de aceite	—	Detección	Detección
Cadena de sierra y espada			
Longitud de espada estándar	cm (in)	35-40 (14-16)	35-40 (14-16)
Longitud de espada recomendada	cm (in)	35-40 (14-16)	35-40 (14-16)
Longitud efectiva de corte	cm (in)	33-38 (13-15)	33-38 (13-15)
Velocidad máxima de la cadena de sierra	m/s	22,3	22,3
Paso de cadena de sierra	mm (in)	9,52 (3/8)	9,52 (3/8)
Grosor de los eslabones de arrastre (calibre)	mm (in)	1,3 (0,050)	1,3 (0,050)
Tipo de piñón de arrastre	—	Engranaje	Engranaje
Número de dientes del piñón de arrastre	—	6	6

¹⁶ El nivel de vibración equivalente se calcula como la suma de energía, ponderada en el tiempo, de los niveles de vibración en diferentes condiciones de trabajo. Los datos referidos al nivel de vibración tienen una dispersión estadística habitual (desviación estándar) de 1,5 m/s².

¹⁷ El nivel de vibración equivalente se calcula como la suma de energía, ponderada en el tiempo, de los niveles de vibración en diferentes condiciones de trabajo. Los datos referidos al nivel de vibración tienen una dispersión estadística habitual (desviación estándar) de 1,5 m/s².

¹⁸ Emisiones sonoras en el entorno medidas como potencia acústica (L_{WA}).

¹⁹ Emisiones sonoras en el entorno medidas como potencia acústica (L_{WA}).

²⁰ El nivel de presión sonora equivalente se calcula como la suma de energía, ponderada en el tiempo, de los niveles de presión sonora en diferentes condiciones de trabajo. La dispersión estadística habitual del nivel de presión sonora equivalente es la desviación típica de 2,5 dB (A).

ACCESORIOS

Combinaciones de espada y cadena de sierra

Espada				Cadena de sierra	
Longitud	Paso	Calibrador	Máximo número de dientes, cabezal de rueda	Tipo	Longitud, eslabones de arrastre (unidad)
14 pulg.	3/8 pulg.	0,050 pulg.	7T	Husqvarna H37	52
16 pulg.				Husqvarna S93G	56

Combinaciones de cadena de sierra y afilado de la cadena de sierra

Tipo de cadena	Tamaño de la lima redonda	Ángulo de la placa lateral	Ángulo de la placa superior	Ángulo de guía de afilado	Ajuste de la profundidad de corte	N.º de ref. del calibre de profundidad	N.º de ref. del calibrador de afilado
H37, S93G	5/32 pulg. 4,0 mm	80°	30°	0°	0,025 / 0,65	5056981-03	5052437-01

CONTENIDO DE LA DECLARACIÓN DE CONFORMIDAD CE

Nosotros, Husqvarna AB, SE 561 82 Huskvarna, SUECIA, declaramos bajo nuestra exclusiva responsabilidad que el producto representado:

Descripción	Motosierra de gasolina
Marca	Husqvarna
Plataforma/tipo/modelo	Plataforma H13038HV, que representa el modelo 130, 135 Mark II
Lote	Número de serie a partir del año 2018 y en adelante

Cumple las siguientes directivas y normas de la UE:

Directiva/Norma	Descripción
2006/42/CE	"relativa a las máquinas"
2014/30/UE	"relativa a la compatibilidad electromagnética"

Directiva/Norma	Descripción
2000/14/CE	"relativa al ruido en exteriores"
2011/65/UE	"restricciones a la utilización de determinadas sustancias peligrosas"

Las normas armonizadas o especificaciones técnicas aplicadas son las siguientes: EN ISO 12100, EN ISO 11681-1, CISPR 12, ISO 14982

De acuerdo con la directiva 2000/14/CE, Anexo V, los valores de sonido declarados se indican en el capítulo Datos técnicos de este manual y en la declaración de conformidad de la UE firmada.

TÜV Rheinland LGA Products GmbH, organismo notificado para la Directiva relativa a las máquinas (notificado bajo el código 0197), Tillystraße 2 - 90431 Nürnberg (Alemania), ha llevado a cabo un examen tipo CE conforme a la directiva 2006/42/CE, artículo 12, punto 3b.

El certificado de examen, conforme al Anexo IX y como se indica en la declaración de conformidad firmada, es aplicable a todas las plantas de fabricación y países de origen, tal y como se indica en el producto.

La presente motosierra es conforme con la muestra que se sometió al examen tipo CE.

Sommario

INTRODUZIONE.....	69	TRASPORTO.....	80
SICUREZZA.....	70	RIMESSAGGIO.....	80
MONTAGGIO.....	74	DATI TECNICI.....	80
FUNZIONAMENTO.....	75	ACCESSORI.....	82
MANUTENZIONE.....	77	CONTENUTO DELLA DICHIARAZIONE DI CONFORMITÀ CE.....	82

INTRODUZIONE

Manuale operatore

La lingua iniziale del presente manuale operatore è l'inglese. I manuali operatore in altre lingue sono traduzioni dall'inglese.

Panoramica

(Fig. 1)

1. Coperchio del cilindro
2. Bulbo di adescamento
3. Targhetta prodotto e numero di serie
4. Decalcomania di informazioni e avvertenza
5. Interruttore di arresto
6. Impugnatura posteriore
7. Serbatoio del carburante
8. Maniglia della fune di avviamento
9. Carter avviamento
10. Segno della direzione di caduta
11. Serbatoio dell'olio della catena
12. Impugnatura anteriore
13. Freno della catena con protezione anticontraccolpo
14. Marmitta
15. Catena
16. Rocchetto puntale
17. Barra guida
18. Vite tendicatena (130)
19. Vite tendicatena (135 Mark II)
20. Rampone
21. Fermo della catena
22. Coperchio della frizione
23. Protezione della mano destra
24. Grilletto acceleratore
25. Blocco del grilletto acceleratore
26. Coperchio della barra di guida
27. Strumento combinato
28. Manuale operatore

Simboli riportati sul prodotto

(Fig. 2) Avvertenza

- (Fig. 3) Leggere il presente manuale
- Utilizzare una protezione per la testa, cuffie protettive e una protezione per gli occhi omologate
- (Fig. 4)
- (Fig. 5) Utilizzare guanti protettivi omologati
- Il prodotto è conforme alle direttive CE vigenti
- (Fig. 6)
- (Fig. 7) Livello di potenza acustica
- Freno della catena, non inserito (a sinistra).
Freno della catena, inserito (a destra)
- (Fig. 8)
- (Fig. 9) Comando della valvola dell'aria
- (Fig. 10) Bulbo di adescamento
- (Fig. 11) Rifornimento carburante
- (Fig. 12) Rabbocco olio della catena
- Il prodotto è conforme alle direttive EAC vigenti
- (Fig. 13)
- Il prodotto è conforme alle direttive vigenti in Ucraina
- (Fig. 14)
- Il prodotto è conforme alle direttive vigenti in Corea
- (Fig. 15)
- Il prodotto è conforme alle direttive vigenti in Giappone
- (Fig. 16)
- (Fig. 17) Livello acustico
- Tenere il prodotto saldamente con entrambe le mani
- (Fig. 18)
- (Fig. 19) Non utilizzare il prodotto con una mano sola

(Fig. 20) Evitare il contatto con la punta della barra di guida

(Fig. 21) Prestate attenzione ai contraccolpi

(Fig. 22) Il prodotto è conforme alle direttive sulla compatibilità elettromagnetica vigenti in Australia e Nuova Zelanda.

Nota: I restanti simboli/decalcomanie sul prodotto riguardano particolari requisiti necessari per ottenere la certificazione in altre aree commerciali.

Proposta 65

(Fig. 23)

UE V



AVVERTENZA: La manomissione del motore rende nulla l'omologazione UE del prodotto.

Responsabilità del prodotto

Come indicato nelle leggi vigenti in materia di responsabilità obbligatoria sul prodotto, non siamo responsabili per eventuali danni causati dal nostro prodotto se:

- Il prodotto viene riparato in modo errato.
- Il prodotto viene riparato con parti che non provengono o non sono omologate dal produttore.
- Il prodotto contiene un accessorio che non proviene o non è omologato dal produttore.
- Il prodotto non viene riparato presso un centro di assistenza autorizzato o presso un'autorità competente.

SICUREZZA

Definizioni di sicurezza

Le definizioni riportate di seguito forniscono il livello di gravità per ciascuna delle parole di avvertenza.



AVVERTENZA: Lesioni alle persone.



ATTENZIONE: Danni al prodotto.

Nota: Queste informazioni rendono più semplice l'uso del prodotto.

Istruzioni di sicurezza generali

- Utilizzare il prodotto in modo corretto. Un uso improprio può causare lesioni o la morte. Utilizzare il prodotto solo per le attività riportate nel presente manuale. Non utilizzare il prodotto per altre attività.
- Leggere, comprendere e rispettare le istruzioni contenute nel presente manuale. Rispettare i simboli di sicurezza e le istruzioni di sicurezza. In caso di mancata osservanza delle istruzioni e dei relativi simboli, si potrebbero causare lesioni personali, danni o la morte.
- Non gettare il presente manuale. Utilizzare le istruzioni per assemblare, azionare e mantenere il prodotto in buone condizioni. Utilizzare le istruzioni per installare correttamente attrezzature e accessori.

Utilizzare esclusivamente attrezzature e accessori omologati.

- Non utilizzare un prodotto danneggiato. Attenersi al programma di manutenzione. Eseguire solo gli interventi di manutenzione riportati nelle istruzioni di questo manuale. Tutti gli altri interventi di manutenzione devono essere effettuati da un centro di assistenza autorizzato.
- Il presente manuale non include tutte le situazioni che possono verificarsi quando si utilizza il prodotto. Prestare la massima attenzione e usare il buon senso. Non utilizzare mai il prodotto o eseguire interventi di manutenzione sul prodotto se non si è sicuri. Per ulteriori informazioni parlare con un esperto del prodotto, il vostro rivenditore, l'officina o il centro di assistenza autorizzato.
- Scollegare il cavo della candela prima di assemblare il prodotto, conservarlo in magazzino o eseguire la manutenzione.
- Non utilizzare il prodotto se è stato modificato in qualche modo rispetto alle caratteristiche iniziali. Non sostituire una parte del prodotto senza previa approvazione del produttore. Utilizzare solo parti approvate dal produttore. Una manutenzione impropria può causare lesioni o la morte.
- Non respirare i fumi provenienti dal motore. L'inalazione di fumi di scarico, vapori dell'olio della catena e polvere di segatura per un periodo di tempo prolungato può comportare rischi per la salute.
- Non avviare il prodotto in ambienti chiusi o vicino a materiale infiammabile. I fumi di scarico sono molto caldi e possono contenere scintille in grado di provocare incendi. L'assenza di un flusso d'aria

sufficiente può causare lesioni o la morte dovute ad asfissia o al monossido di carbonio.

- Durante il funzionamento, questo prodotto genera un campo elettromagnetico. Il campo elettromagnetico può danneggiare gli impianti medici. Rivolgersi al medico e al produttore degli impianti medici prima di utilizzare il prodotto.
- Non consentire ai bambini di utilizzare il prodotto.
- Non permettere a chiunque non conosca le istruzioni di utilizzare il prodotto.
- Controllare sempre qualsiasi persona, dalle capacità fisiche o mentali ridotte, che utilizzi il prodotto. È necessaria sempre la supervisione di un adulto responsabile.
- Bloccare il prodotto in un'area a cui i bambini o le persone non autorizzate non possano accedere.
- Il prodotto può espellere oggetti e causare lesioni. Attenersi alle istruzioni di sicurezza per ridurre il rischio di lesioni o morte.
- Non allontanarsi dal prodotto con il motore in funzione. Arrestare il motore e assicurarsi che la catena non giri.
- L'operatore del prodotto è responsabile in caso di incidente.
- Verificare che i componenti non siano danneggiati prima di utilizzare il prodotto.
- Fare riferimento alle normative nazionali o locali, in quanto possono impedire o limitare il funzionamento del prodotto in determinate condizioni.

Istruzioni di sicurezza per l'utilizzo

- L'utilizzo continuo o regolare del prodotto può causare "l'intorpidimento delle dita" o problemi medici equivalenti dovuti alle vibrazioni. In caso di utilizzo continuo o regolare del prodotto, esaminare la condizione delle mani e delle dita. Se le mani o le dita appaiono bianche, doloranti, formicolanti o intorpidite, interrompere il lavoro e rivolgersi immediatamente a un medico.
- Accertarsi che il prodotto sia completamente assemblato prima di utilizzarlo.
- Il prodotto può causare l'espulsione di oggetti, che può risultare pericolosa per gli occhi. Utilizzare sempre una protezione per gli occhi omologata durante l'utilizzo del prodotto.
- Prestare la massima attenzione, un bambino può avvicinarsi al prodotto senza che ve ne accorgiate durante il funzionamento.
- Non utilizzare il prodotto in presenza di persone nell'area di lavoro. Arrestare il prodotto nel caso in cui una persona entri nell'area di lavoro.

(Fig. 24)

- Mantenere sempre il controllo del prodotto.
- Il prodotto deve essere utilizzato con due mani. Non utilizzare il prodotto con una sola mano. L'utilizzo con una sola mano può essere causa di gravi lesioni all'operatore, agli altri lavoratori o alle persone presenti.

- Afferrare l'impugnatura anteriore con la mano sinistra e l'impugnatura posteriore con la mano destra. Tenere il prodotto sul lato destro del corpo.

(Fig. 25)

- Non utilizzare il prodotto quando si è stanchi, ammalati o sotto gli effetti di alcool o farmaci.
- Non utilizzare il prodotto se non è possibile ricevere soccorso in caso di incidente. Informare i presenti che si è in procinto di utilizzare il prodotto prima di avviarlo.
- Non accendere il prodotto se non si è sicuri che la zona di sicurezza sia sgombra da persone o animali.
- Rimuovere tutti i materiali indesiderati dall'area di lavoro prima di iniziare. Se la catena colpisce un oggetto, questo può essere espulso causando lesioni o danni. Del materiale indesiderato può avvolgersi attorno alla catena e causare dei danni.
- Non utilizzare il prodotto in condizioni meteorologiche avverse quali nebbia, pioggia, vento forte, rischio di fulmini o altre condizioni meteorologiche. Condizioni meteorologiche sfavorevoli possono causare situazioni di pericolo, ad es. superfici scivolose.
- Assicurarsi di potersi muovere liberamente e lavorare in una posizione stabile.
- Assicurarsi di essere stabili e non correre il rischio di cadere durante l'uso del prodotto. Non inclinarsi durante l'uso del prodotto.
- Tenere sempre il prodotto con due mani. Afferrare l'impugnatura anteriore con la mano sinistra e l'impugnatura posteriore con la mano destra. Tenere il prodotto sul lato destro del corpo.
- Se il comando della valvola dell'aria si trova nella posizione di starter all'avviamento del motore, la catena inizia a girare.
- Arrestare il motore prima di spostare il prodotto.
- Non appoggiare a terra il prodotto con il motore acceso.
- Prima di rimuovere i materiali indesiderati dal prodotto, arrestare il motore. Lasciare che la catena si arresti prima di rimuovere il materiale tagliato.
- Non utilizzare il prodotto sugli alberi. L'utilizzo del prodotto in cima a un albero potrebbe provocare lesioni personali.

(Fig. 26)

- Il freno della catena deve essere inserito prima di avviare il prodotto per ridurre il rischio di contatto con la catena durante l'avviamento.

(Fig. 27)

- Evitare contraccolpi, scivolamento, rimbalzo e caduta del prodotto, che possono provocare gravi lesioni.
- Rispettare tutte le norme di sicurezza in modo da evitare contraccolpi e altre forze che possono provocare gravi lesioni.
- Regolare periodicamente la tensione della catena per assicurarsi che la catena non sia lenta. Una

catena non sufficientemente tesa può saltare e provocare lesioni gravi, anche mortali.

- Non abbattere gli alberi adottando una procedura errata. Questo può essere causa di lesioni alle persone, danni alle linee elettriche e telefoniche o danni alle cose.
- L'operatore dovrebbe tenersi sul lato a monte del terreno poiché è probabile che l'albero rotoli o scivoli a valle dopo l'abbattimento.

(Fig. 28)

- Prevedere e liberare una via di fuga prima di iniziare i tagli. Tale via di fuga dovrebbe estendersi dietro, diagonalmente, rispetto alla parte posteriore del percorso di caduta previsto.

(Fig. 29)

- Arrestare sempre il motore prima di spostare il prodotto tra gli alberi.
- Assicurarsi di poggiare saldamente i piedi a terra e di distribuire il proprio peso in modo uniforme.

(Fig. 30)

- Mantenere sempre una posizione stabile dei piedi e utilizzare il prodotto esclusivamente stando in piedi su una superficie fissa, stabile e piana. Superfici scivolose o instabili, come ad esempio scale, possono causare la perdita dell'equilibrio o del controllo.

(Fig. 31)

Contraccolpi, scivolamento, rimbalzo e caduta

Diverse forze possono avere un effetto sul controllo in sicurezza del prodotto.

- **Scivolamento**, si verifica quando la barra di guida si sposta velocemente sul legno.
- **Rimbalzo**, si verifica quando la barra di guida si solleva dal legno e lo tocca ripetutamente più volte.
- **Caduta**, si verifica quando il prodotto cade dopo aver eseguito il taglio. Ciò può causare il contatto tra la catena in movimento e una parte del corpo o altri oggetti, provocando lesioni o danni.
- **Contraccolpo**, si verifica quando l'estremità della barra di guida entra in contatto con altri oggetti e si sposta improvvisamente all'indietro, verso l'alto o in avanti. Il contraccolpo si verifica anche quando il legno si richiude incastrando la catena durante l'operazione di taglio. Se il prodotto tocca un corpo estraneo nel legno, può verificarsi una perdita del controllo.

(Fig. 32)

- **Contraccolpo rotazionale**, può verificarsi quando la catena in movimento tocca un oggetto sulla parte superiore della barra di guida. La catena può infilarsi all'interno dell'oggetto e arrestarsi immediatamente. Il risultato è una reazione inversa molto rapida, che sposta la barra di guida verso l'alto e all'indietro in direzione dell'operatore.

(Fig. 33)

- **Contraccolpo da schiacciamento**, può verificarsi quando la catena si arresta improvvisamente durante l'operazione di taglio. Il legno si richiude schiacciando la catena in movimento lungo la parte superiore della barra di guida. L'arresto improvviso della catena inverte la forza della catena e provoca il movimento del prodotto in direzione opposta alla rotazione della catena. Il prodotto si sposta all'indietro in direzione dell'operatore.

(Fig. 34)

- **Trascinamento in avanti**, può verificarsi quando la catena si arresta improvvisamente, quando la catena in movimento entra in contatto con un corpo estraneo nel legno lungo la parte inferiore della barra di guida. L'arresto improvviso spinge il prodotto in avanti allontanandolo dall'operatore, il che può facilmente determinare la perdita del controllo del prodotto da parte dell'operatore.

(Fig. 35)

Assicurarsi di aver capito le diverse forze e come evitarle prima di utilizzare il prodotto. Vedere [#unique_271/unique_271_Connect_42_](#).

Per evitare contraccolpi, scivolamento, rimbalzo e caduta

- A motore acceso, assicurarsi di tenere saldamente il prodotto. Tenere la mano destra sull'impugnatura posteriore e la mano sinistra sull'impugnatura anteriore. Afferrare saldamente le impugnature con i pollici e le dita. Non allentare la presa.
- Tenere sotto controllo il prodotto durante l'operazione di taglio e dopo che il legno è caduto a terra. Non lasciar cadere il prodotto sotto l'effetto del proprio peso dopo aver eseguito il taglio.
- Assicurarsi che la zona in cui si esegue il taglio sia priva di ostacoli. Non lasciare che la punta della barra di guida tocchi un tronco, un ramo o altri ostacoli durante l'utilizzo del prodotto. (Fig. 36)
- Tagliare con il motore ad alta velocità.
- Non sporgersi troppo in avanti e non tagliare al di sopra dell'altezza della spalla.(Fig. 37)
- Attenersi alle istruzioni di affilatura e manutenzione della catena fornite dal fabbricante.
- Utilizzare esclusivamente le barre di guida e le catene di ricambio specificate dal produttore.
- Il rischio di contraccolpo aumenta in caso di impostazione troppo elevata del misuratore di profondità.

Abbigliamento protettivo personale

- Indossare sempre il corretto abbigliamento protettivo personale durante l'utilizzo del prodotto. L'abbigliamento protettivo personale riduce il rischio di lesioni in caso di incedente, ma non lo elimina.
- Non utilizzare abiti larghi che potrebbero restare impigliati nella catena.
- Utilizzare un elmetto protettivo omologato.

- Utilizzare sempre protezioni acustiche omologate durante l'uso del prodotto. Un rumore prolungato può provocare la perdita dell'udito.
- Utilizzare occhiali protettivi o una visiera per ridurre il rischio di lesioni dovute alla proiezione di oggetti. Il prodotto può spostare con grande forza gli oggetti, come trucioli di legno e piccoli pezzi di legno. Ciò può causare gravi lesioni, in particolare agli occhi.
- Utilizzare guanti dotati di protezione per motosega.
- Utilizzare pantaloni dotati di protezione per motosega.
- Utilizzare stivali dotati di protezione per motosega, punta in acciaio e suola antiscivolo.
- Tenere sempre a portata di mano la cassetta di pronto soccorso.
- Marmitta, barra di guida, catena o altre fonti possono provocare scintille. Tenere sempre a portata di mano degli estintori e una pala per spegnere le fiamme ed evitare incendi boschivi.

Dispositivi di protezione sul prodotto

- Non utilizzare un prodotto con abbigliamento protettivo danneggiato. Se il prodotto è danneggiato, rivolgersi a un centro di assistenza autorizzato.

Per controllare l'interruttore di arresto

1. Avviare il motore. Vedere *Prima di avviare il motore alla pagina 75*.
2. Accertarsi che il motore si spenga quando si porta l'interruttore in posizione di arresto.

Controllo del fermo del grilletto dell'acceleratore

1. Assicurarsi che il grilletto acceleratore (B) sia bloccato sul minimo quando viene rilasciato il relativo fermo (A) (Fig. 38).
2. Premere il fermo (A) del grilletto acceleratore e accertarsi che ritorni nella posizione iniziale al rilascio.
3. Spingere il grilletto acceleratore (B) e accertarsi che ritorni nella posizione iniziale al rilascio.
4. Avviare il motore, quindi accelerare al massimo.
5. Rilasciare il grilletto acceleratore e verificare se la catena si ferma.
6. Se la catena ruota mentre l'acceleratore è al minimo, controllare la vite di regolazione del minimo del carburatore.

Protezione

La protezione impedisce agli oggetti di venire espulsi in direzione dell'operatore. Inoltre la protezione impedisce il contatto accidentale tra l'operatore e la catena.

- Assicurarsi che la protezione sia omologata per l'uso insieme al prodotto.
- Non utilizzare il prodotto senza la protezione.

- Accertarsi che la protezione non sia danneggiata. Sostituire la protezione se presenta segni di usura o crepe.

Sicurezza durante l'uso del carburante

- Non avviare il prodotto nel caso in cui vi sia carburante o olio motore su di esso. Rimuovere il carburante/olio indesiderato e lasciare che il prodotto si asciughi. Rimuovere il carburante indesiderato dal prodotto.
- In caso di perdite di carburante sugli indumenti, cambiarsi immediatamente.
- Il carburante non deve arrivare a contatto con il corpo, poiché può causare lesioni. In caso di contatto del carburante con il corpo, rimuoverlo con acqua e sapone.
- Non avviare il motore in caso di contatto dell'olio o del carburante con il prodotto o con il proprio corpo.
- Non avviare il prodotto se il motore presenta una perdita. Esaminare regolarmente il motore per verificare la presenza di eventuali perdite.
- Prestare la massima attenzione con il carburante. Il carburante è infiammabile e i fumi sono esplosivi quindi possono causare lesioni o morte.
- Non respirare i fumi del carburante perché possono causare lesioni. Accertarsi che ci sia un flusso d'aria sufficiente.
- Non fumare in prossimità del carburante o del motore.
- Non posizionare oggetti caldi in prossimità del carburante o del motore.
- Non aggiungere carburante a motore acceso.
- Assicurarsi che il motore sia freddo prima di effettuare il rifornimento.
- Prima di effettuare il rifornimento, aprire lentamente il tappo del serbatoio del carburante e rilasciare la pressione con cautela.
- Non aggiungere carburante al motore in un ambiente chiuso. Un flusso d'aria insufficiente può causare lesioni o la morte dovute ad asfissia o al monossido di carbonio.
- Serrare il tappo del serbatoio del carburante con cautela, altrimenti potrebbe verificarsi un incendio.
- Prima dell'avviamento, spostare il prodotto di almeno 3 m (10 ft) dal punto in cui è stato riempito il serbatoio del carburante.
- Non rabboccare il serbatoio con una quantità eccessiva di carburante.
- Assicurarsi che non si verifichino perdite quando si sposta il prodotto o la tanica carburante.
- Non posizionare il prodotto o una tanica carburante in ambienti in cui siano presenti fiamme libere, scintille o fiamme pilota. Assicurarsi che l'area di rimessaggio non contenga fiamme libere.
- Utilizzare solo contenitori omologati per spostare il carburante o riporlo in magazzino.

- Svuotare il serbatoio del carburante prima di lunghi periodi di stoccaggio. Attenersi alle leggi locali sullo smaltimento del carburante.
- Pulire il prodotto prima di un lungo periodo di stoccaggio.
- Rimuovere il cavo della candela prima di conservare il prodotto in magazzino per assicurarsi che il motore non si avvii accidentalmente.

Istruzioni di sicurezza per la manutenzione

- Scollegare la candela prima di eseguire la manutenzione del prodotto, ad eccezione delle regolazioni del carburatore.
- Far eseguire tutti gli interventi di manutenzione del prodotto a un concessionario autorizzato, ad eccezione delle attività descritte in *MANUTENZIONE alla pagina 77*.
- Assicurarsi che la catena si fermi quando viene rilasciato il grilletto dell'acceleratore.
- Mantenere le impugnature asciutte, pulite e prive di macchie d'olio o di miscela.
- Verificare che i tappi e le chiusure siano serrati correttamente.
- I componenti sostitutivi non omologati o la rimozione dei dispositivi di sicurezza possono causare danni al prodotto. Questo può causare anche possibili lesioni all'operatore o alle persone presenti. Utilizzare

- esclusivamente accessori e ricambi originali, come consigliato. Non apportare modifiche al prodotto.
- Mantenere la catena affilata e pulita per un utilizzo sicuro e prestazioni elevate.
- Rispettare le istruzioni per la lubrificazione e la sostituzione degli accessori.
- Controllare che il prodotto non presenti parti danneggiate. Prima di utilizzare di nuovo il prodotto, assicurarsi che la protezione o parte danneggiata funzioni correttamente. Verificare l'eventuale presenza di parti rotte, non allineate correttamente o che non si muovono liberamente. Verificare l'eventuale presenza di altre condizioni che possono influire sul funzionamento del prodotto. Assicurarsi che il prodotto sia montato correttamente. Una protezione o altre parti danneggiate devono essere riparate o sostituite da un concessionario autorizzato, ad eccezione di quanto scritto nel manuale dell'operatore.
- Quando non viene utilizzato, conservare il prodotto in un luogo asciutto, in alto o chiuso a chiave, fuori dalla portata dei bambini.
- Durante il trasporto o la conservazione del prodotto, utilizzare un coperchio o una custodia della barra di guida per spostare il prodotto.
- Non riutilizzare l'olio di scarico. L'olio di scarico è nocivo per le persone e può causare danni al prodotto e all'ambiente.

MONTAGGIO



AVVERTENZA: Leggere e comprendere il capitolo sulla sicurezza prima di montare il prodotto.

Montaggio della barra di guida e della catena

1. Durante il montaggio, rimuovere il cappuccio della candela dalla candela per evitare un avviamento accidentale. (Fig. 39) (Fig. 40)
2. Rimuovere i dadi della barra e il coperchio della frizione. Rimuovere il carter di trasporto (A). (Fig. 41)
3. Posizionare la barra di guida sopra i bulloni della barra. Portare la barra di guida nella sua posizione più arretrata.
4. Indossare guanti protettivi per motosega.
5. Sollevare la catena sopra il pignone guida e inserirla nella scanalatura sulla barra guida. Cominciare dalla parte superiore della barra guida. (Fig. 42)
6. Assicurarsi che i bordi degli attacchi di taglio siano rivolti in avanti sul lato superiore della barra guida.
7. Montare il coperchio della frizione e inserire il fermo tendicatena nel foro sulla barra guida.
8. Assicurarsi che le maglie di trascinamento della catena si innestino correttamente sul pignone guida. Assicurarsi inoltre che la catena sia inserita correttamente nella scanalatura della barra guida.
9. Serrare i dadi della barra di guida manualmente.
10. Tendere la catena ruotando in senso orario le vite tendicatena con la chiave universale. Tendere la catena finché non si assesta sulla parte inferiore della barra di guida ed è possibile farla girare facilmente a mano. (Fig. 43) e (Fig. 44)
11. Sollevare l'estremità della barra di guida e serrare i dadi della barra con la chiave universale. (Fig. 45)
 - Controllare spesso la tensione della catena dopo il montaggio di una nuova catena e finché questa non è stata roduta.
 - Verificare regolarmente la tensione della catena. La corretta tensione della catena determina buone prestazioni di taglio e una lunga durata.

FUNZIONAMENTO



AVVERTENZA: Leggere e comprendere il capitolo sulla sicurezza prima di utilizzare il prodotto.

Uso del carburante



ATTENZIONE: Questo prodotto è dotato di un motore a due tempi. Utilizzare una miscela di benzina e olio per motori a due tempi. Utilizzare la quantità di olio corretta nella miscela. Un rapporto non corretto di benzina e olio può causare danni al motore.

Rapporto miscela

Il rapporto della miscela di benzina e olio per motori a due tempi è 50:1 (2%)

Benzina	Olio per motori a due tempi
1 U.S. gal.	77 ml (2,6 oz)
1 UK gal.	95 ml (3,2 oz)
5 l	100 ml (3,4 oz)

Per preparare la miscela di carburante

1. Determinare la quantità corretta di benzina e olio motore (rapporto miscela 50:1). Preparare una quantità di miscela necessaria al massimo per 30 giorni. Vedere *Rapporto miscela alla pagina 75*.
2. Aggiungere la metà della quantità di benzina in una tanica carburante pulita con valvola antigoccia.



ATTENZIONE: Non utilizzare benzina con una concentrazione di etanolo superiore al 10% (E10). Ciò può causare danni al prodotto.



ATTENZIONE: Non utilizzare mai benzina con un numero di ottani inferiore a 90 RON (87 AKI). Ciò può causare danni al prodotto.

Nota: Utilizzare benzina con numero di ottani superiore se si utilizza frequentemente il prodotto a un regime motore elevato continuo.

3. Aggiungere la quantità completa di olio per motori a due tempi nella tanica carburante.



ATTENZIONE: Utilizzare sempre olio per motori a due tempi raffreddati ad aria

di alta qualità. Altri oli possono causare danni al prodotto.

4. Agitare la miscela per mescolare il contenuto.
5. Aggiungere la quantità rimanente di benzina nella tanica carburante.
6. Agitare la miscela per mescolare il contenuto.
7. Riempire il serbatoio del carburante del prodotto con la miscela. Vedere *Rapporto miscela alla pagina 75*.

Per riempire il serbatoio del carburante

1. Assicurarsi che la miscela sia corretta e che sia contenuta in una tanica carburante con valvola antigoccia.
2. Nel caso in cui sulla tanica sia presente del carburante, rimuoverlo e asciugare la tanica.
3. Assicurarsi che l'area circostante il tappo del serbatoio del carburante sia pulita.
4. Rimuovere il tappo del serbatoio del carburante. (Fig. 46)
5. Agitare la tanica carburante prima di aggiungere la miscela nel serbatoio del carburante.
6. Riposizionare il tappo del serbatoio del carburante.

Per lubrificare la catena

Il prodotto è dotato di un sistema di lubrificazione automatica. Assicurarsi di utilizzare esclusivamente l'olio della catena corretto e attenersi alle istruzioni.

1. Utilizzare olio della catena a base vegetale o olio della catena standard.
2. Assicurarsi che l'area circostante il tappo del serbatoio dell'olio della catena sia pulita.
3. Rimuovere il tappo del serbatoio dell'olio della catena.
4. Riempire il serbatoio dell'olio della catena con l'olio della catena raccomandato.
5. Riposizionare il tappo del serbatoio dell'olio della catena.

Prima di avviare il motore

- Verificare che non ci siano parti mancanti, danneggiate, allentate o usurate sul prodotto.
- Controllare i dadi, i bulloni e le viti.
- Controllare il filtro dell'aria.
- Verificare il corretto funzionamento del fermo del grilletto acceleratore e del comando dell'acceleratore.
- Verificare il corretto funzionamento dell'interruttore di arresto.
- Verificare eventuali perdite di carburante dal prodotto.
- Verificare l'affilatura e la tensione della catena.

Per avviare il motore a freddo

1. Spostare in avanti la protezione della mano per attivare il freno della catena. (Fig. 47)
2. Tirare il comando della valvola dell'aria verso l'esterno e verso l'alto.
3. Premere il bulbo di adescamento 6 volte. (Fig. 48)
4. Mantenere il corpo del prodotto a terra con la mano sinistra. Non salire sul prodotto. Tirare lentamente la maniglia della fune di avviamento finché non si avverte una resistenza. Quindi, tirare la maniglia della fune di avviamento con forza. (Fig. 49)

Nota: Non tirare il grilletto acceleratore mentre si avvia il motore.

5. Continuare a tirare la maniglia della fune di avviamento fino a quando il motore si avvia o tenta di avviarsi (max. 3 volte). Se il motore si avvia o tenta di avviarsi, spingere verso il basso il comando della valvola dell'aria. (Fig. 50)



ATTENZIONE: Non tirare la fune di avviamento fino a quando non si arresta. Non lasciare andare la fune di avviamento quando è completamente estesa. Rilasciare la fune di avviamento lentamente. La mancata osservanza di tali istruzioni può danneggiare il motore.

6. Continuare a tirare fino a quando il motore non si avvia. Attendere circa 60 secondi dopo l'avvio prima di tirare il grilletto acceleratore.
7. Spostare la protezione anticontraccolpo verso l'impugnatura anteriore per disinserire il freno della catena.
8. Afferrare l'impugnatura posteriore con la mano destra e l'impugnatura anteriore con la mano sinistra.
9. Utilizzare il prodotto.

Per avviare un motore caldo

1. Spostare in avanti la protezione della mano per attivare il freno della catena. (Fig. 51)
2. Tirare il comando della valvola dell'aria verso l'esterno e verso l'alto.
3. Premere il bulbo di adescamento 6 volte. (Fig. 52)
4. Premere il comando della valvola dell'aria verso il basso. (Fig. 53)
5. Mantenere il corpo del prodotto a terra con la mano sinistra. Non salire sul prodotto. Tirare lentamente la maniglia della fune di avviamento finché non si avverte una resistenza. Quindi, tirare la maniglia della fune di avviamento con forza. (Fig. 54)



ATTENZIONE: Non tirare la fune di avviamento fino a quando non si arresta. Non lasciare andare la fune di avviamento quando è completamente

estesa. Rilasciare la fune di avviamento lentamente. Rispettare queste istruzioni per evitare di danneggiare il motore.

Nota: Non tirare il grilletto acceleratore mentre si avvia il motore.

6. Continuare a tirare la maniglia della fune di avviamento fino a quando il motore si avvia o tenta di avviarsi (max. 3 volte). Attendere circa 60 secondi dopo l'avvio prima di tirare il grilletto acceleratore.
7. Tirare indietro la protezione anticontraccolpo in direzione dell'impugnatura anteriore per disinserire il freno della catena.
8. Afferrare l'impugnatura posteriore con la mano destra e l'impugnatura anteriore con la mano sinistra.
9. Utilizzare il prodotto.

Per avviare il motore quando il carburante è troppo caldo

Se il prodotto non si avvia, il carburante potrebbe essere troppo caldo.

Nota: Utilizzare sempre carburante nuovo e ridurre il tempo di funzionamento in presenza di clima caldo.

1. Collocare il prodotto in un luogo fresco al riparo dalla luce solare diretta.
2. Lasciar raffreddare il prodotto per almeno 20 minuti.
3. Premere ripetutamente il bulbo di adescamento più volte per 10-15 secondi.
4. Adottare la procedura di avviamento del motore a freddo. Vedere *Per avviare il motore a freddo alla pagina 76*.

Per l'arresto

- Premere l'interruttore di arresto per arrestare il motore.

Nota: L'interruttore di arresto torna automaticamente alla posizione iniziale.

Per utilizzare un rampone

Un rampone evita i contraccolpi e trattiene il legno durante il taglio. Il rampone è un perno tra il corpo motore e la barra di guida.

1. Posizionare l'estremità inferiore del rampone alla larghezza corretta del punto di ancoraggio.
2. Premere con la mano sinistra contro l'impugnatura anteriore mentre si solleva l'impugnatura posteriore con la mano destra.
3. Segare fino a ottenere la larghezza corretta del punto di ancoraggio.

Nota: Il punto di ancoraggio deve avere uno spessore uniforme.

4. Segare per oltre la metà del diametro, quindi inserire il cuneo di abbattimento nel taglio.

Per abbattere un albero

1. Rimuovere sporcizia, pietre, cortecchia staccata, chiodi, graffe e fili dall'albero.
2. Fare un intaglio di 1/3 del diametro dell'albero, perpendicolare alla direzione di caduta. (Fig. 55)
3. Realizzare l'intaglio orizzontale inferiore. Questo aiuterà a evitare lo schiacciamento della catena o della barra di guida quando viene fatto il secondo intaglio.
4. Eseguire il taglio di abbattimento (X) almeno 50 mm (2 pollici) più in alto rispetto all'intaglio orizzontale. Mantenere il taglio di abbattimento parallelo all'intaglio orizzontale in modo tale da lasciare legno a sufficienza per realizzare un punto di ancoraggio. Non tagliare attraverso il punto di ancoraggio. Il legno del punto di ancoraggio impedisce la torsione e la caduta dell'albero nella direzione errata. (Fig. 56) and (Fig. 57)
5. Appena il taglio di abbattimento si avvicina al punto di ancoraggio, l'albero inizia a cadere. Assicurarsi che l'albero possa cadere nella direzione corretta e non far oscillare all'indietro e schiacciare la catena. Per evitarlo, interrompere il taglio prima di completare il taglio di abbattimento. Utilizzare dei cunei in legno, plastica o alluminio per aprire il taglio e far cadere l'albero lungo la linea di caduta desiderata. (Fig. 58)
6. Quando l'albero comincia a cadere, rimuovere il prodotto dal taglio, arrestare il motore, poggiare a

terra il prodotto, quindi utilizzare il percorso di fuga pianificato. Prestare attenzione all'eventuale caduta di rami e a non inciampare. (Fig. 59)

Sramatura di un albero

1. Utilizzare i rami più grandi per tenere tronco sollevato da terra.
2. Rimuovere i rami più piccoli con un solo taglio. (Fig. 60)
3. Tagliare i rami sotto tensione dal basso verso l'alto per evitare lo schiacciamento della catena o della barra di guida.

Depezzatura di un tronco



ATTENZIONE: Non lasciare che la catena tocchi per terra.

- Se il tronco è sostenuto sull'intera lunghezza, tagliare dalla parte superiore del tronco (taglio dall'alto). (Fig. 61)
- Se il tronco è sostenuto su una sola estremità, tagliare 1/3 del diametro dalla parte inferiore del tronco (taglio dal basso).
- Se il tronco è sostenuto su una sola estremità, tagliare 1/3 del diametro dalla parte inferiore del tronco (taglio dal basso). (Fig. 62)
- Se si taglia un tronco su un terreno in pendenza, tenersi sempre a monte rispetto al tronco. Tagliare il tronco mantenendo il completo controllo del prodotto, quindi rilasciare la pressione di taglio verso la fine del taglio afferrando saldamente l'impugnatura posteriore e l'impugnatura anteriore. (Fig. 63)

MANUTENZIONE



AVVERTENZA: Leggere e comprendere il capitolo sulla sicurezza prima di pulire e riparare il prodotto o prima di eseguire la manutenzione.

Programma di manutenzione

Rispettare il programma di manutenzione. Gli intervalli sono calcolati sulla base di un uso quotidiano del prodotto. Nel caso in cui il prodotto non venga utilizzato tutti i giorni, gli intervalli variano. Eseguire solo gli interventi di manutenzione riportati nel presente manuale. Rivolgersi a un centro di assistenza autorizzato per altri interventi di manutenzione non contenuti in questo manuale.

Manutenzione giornaliera

- Pulire le superfici esterne.
- Assicurarsi che il fermo della leva di comando e la leva di comando funzionino correttamente.

- Pulire il freno della catena e verificare che funzioni correttamente.
- Esaminare il fermo della catena per verificare l'eventuale presenza di danni. Sostituire il fermo della catena se danneggiato.
- Invertire quotidianamente la barra di guida per un'usura più uniforme.
- Assicurarsi che il foro di lubrificazione sulla barra di guida non sia ostruito.
- Rimuovere polvere di segatura e altri corpi estranei da sotto al copripignone.
- Pulire la scanalatura della barra di guida. (Fig. 64)
- Assicurarsi che la barra di guida e la catena ricevano olio a sufficienza.
- Controllare la catena per:
 - presenza di crepe su rivetti o maglie;
 - usura irregolare di rivetti e maglie;
 - tensione corretta.

- sbavature sulle maglie di trascinamento della catena.

Se necessario, sostituire la catena.

- Affilare la catena per sega. Vedere *Per affilare la catena alla pagina 79*.
- Controllare che il pignone guida non sia eccessivamente usurato, sostituirlo se necessario. (Fig. 65)
- Pulire la presa d'aria dell'alloggiamento del motorino.
- Assicurarsi che i dadi e le viti siano serrati a fondo.
- Assicurarsi che l'interruttore di corrente funzioni correttamente.

Manutenzione settimanale

- Assicurarsi che il sistema di raffreddamento funzioni correttamente.
- Assicurarsi che il dispositivo di avviamento, la fune di avviamento e la molla di richiamo funzionino correttamente.
- Assicurarsi che gli elementi di smorzamento delle vibrazioni non siano danneggiati.

(Fig. 66)

- Limare eventuali irregolarità sui lati della barra di guida.
- Pulire o sostituire lo schermo parascintille sulla marmitta.

(Fig. 67)

- Pulire le superfici esterne del carburatore e le relative aree adiacenti.
- Pulire il filtro dell'aria. Installare un nuovo filtro dell'aria se è danneggiato o troppo sporco per poterlo pulire completamente. Per ulteriori informazioni, vedere *Per pulire il filtro dell'aria alla pagina 79*.

Manutenzione mensile

- Controllare l'usura del nastro del freno della catena. Sostituire il nastro del freno quando lo spessore è inferiore a 0,6 mm (0,024 pollici) nel punto più usurato.

(Fig. 68)

- Controllare l'usura del centro, del tamburo e della molla della frizione.
- Pulire la candela. Assicurarsi che la distanza tra gli elettrodi sia corretta.

(Fig. 69)

- Pulire le superfici esterne del carburatore e le relative aree adiacenti.
- Controllare il filtro del carburante e il tubo pescante. Sostituire se necessario.
- Svuotare il serbatoio del carburante.
- Svuotare il serbatoio dell'olio.
- Esaminare tutti i cavi e i raccordi.

Manutenzione annuale

- Esaminare la candela.
- Pulire le superfici esterne del carburatore e le relative aree adiacenti.
- Pulire l'impianto di raffreddamento.
- Esaminare lo schermo parascintille.
- Esaminare il filtro del carburante.
- Esaminare il tubo pescante per verificare l'eventuale presenza di danni.
- Esaminare tutti i cavi e i raccordi.

Manutenzione occasionale

- Far riparare o sostituire la marmitta da un centro assistenza autorizzato dopo 50 ore di funzionamento.
- Eseguire la manutenzione della candela quando:
 - il livello di potenza del motore è basso;
 - il motore si avvia con difficoltà;
 - il motore non funziona correttamente a regime minimo.
- Controllare la lubrificazione della catena a ogni rifornimento. Vedere *Controllo della lubrificazione della catena alla pagina 80*.

Per regolare il regime minimo

Assicurarsi che il filtro dell'aria sia pulito e che il coperchio del filtro dell'aria sia fissato prima di regolare il regime minimo.

1. Ruotare in senso orario le vite di regolazione del minimo, indicata con il contrassegno "T", finché la catena non inizia a girare.
2. Ruotare in senso antiorario le vite di regolazione del minimo, indicata con il contrassegno "T", finché la catena non si arresta.
3. Il regime minimo deve essere inferiore al regime a cui la catena inizia a girare. Il regime minimo è corretto quando il motore funziona regolarmente in tutte le posizioni.

Per gli interventi di manutenzione dello schermo parascintille

- Utilizzare una spazzola metallica per pulire lo schermo parascintille. (Fig. 70)

Per gli interventi di manutenzione della candela



ATTENZIONE: Utilizzare la candela raccomandata. Accertarsi che il ricambio corrisponda al pezzo fornito dal produttore. Una candela errata può danneggiare il prodotto.

1. Se il prodotto presenta difficoltà di avviamento o di funzionamento, controllare la candela per verificare

l'eventuale presenza di materiali indesiderati. Per ridurre il rischio di materiale superfluo sugli elettrodi delle candele:

- a) Accertarsi che il regime minimo sia regolato correttamente.
 - b) Accertarsi che la miscela sia corretta.
 - c) Accertarsi che il filtro dell'aria sia pulito.
2. Pulire la candela se sporca. Assicurarsi che la distanza tra gli elettrodi sia corretta. (Fig. 71)
 3. Sostituire la candela secondo necessità.

Per pulire il filtro dell'aria

1. Rimuovere il filtro dell'aria e il relativo coperchio. (Fig. 72)
2. Pulire il filtro dell'aria con acqua calda e sapone. Accertarsi che il filtro dell'aria sia asciutto prima di montarlo.
3. Sostituire il filtro dell'aria se è troppo sporco per poterlo pulire completamente. Sostituire sempre un filtro dell'aria danneggiato.

Per affilare la catena

Tagliente

L'elemento affilato di una catena è chiamato tagliente e si compone di un dente di taglio (A) e un misuratore di profondità (B). La profondità di taglio è determinata dalla differenza di altezza tra i due elementi, l'impostazione del misuratore di profondità (C).

(Fig. 73)

Per l'affilatura del dente di taglio occorre considerare quattro fattori importanti:

- Angolo di affilatura.

(Fig. 74)

- Angolo di taglio.

(Fig. 75)

- Posizione della lima.

(Fig. 76)

- Diametro della lima tonda.

(Fig. 77)

Affilatura dei denti di taglio

Utilizzare una lima tonda e una dima di affilatura per affilare i denti di taglio. Per le informazioni relative alle dimensioni raccomandate della dima e del misuratore per la catena montata sul prodotto, vedere

Combinazioni di affilatura della catena e catena alla pagina 82.

(Fig. 78)

1. Assicurarsi che la catena sia correttamente tesa. Una catena senza la giusta tensione si sposta lateralmente e non viene affilata correttamente.

2. Utilizzare la lima su tutti i denti su un lato. Quindi, utilizzare la lima sui denti di taglio dal lato interno e allentare la pressione sulla lima nella direzione opposta.
3. Girare il prodotto sul lato opposto e utilizzare la lima sui denti.
4. Utilizzare la lima per mantenere tutti i denti alla stessa lunghezza. Sostituire una catena usurata quando la lunghezza dei denti di taglio si riduce a 4 mm (5/32 pollici).

Regolazione del misuratore di profondità

Affilare i denti di taglio prima di regolare il misuratore di profondità. Vedere *Affilatura dei denti di taglio alla pagina 79*. Affilando il dente di taglio (A), si riduce l'altezza del misuratore di profondità (C). Per mantenere le migliori prestazioni di taglio, il misuratore di profondità (B) va limato fino a raggiungere l'impostazione del misuratore di profondità consigliata. Per la corretta impostazione del misuratore di profondità per ciascun tipo di catena, vedere *Combinazioni di affilatura della catena e catena alla pagina 82.*

(Fig. 79)

(Fig. 80)

Nota: Questa raccomandazione presuppone che i denti di taglio non siano stati affilati a una lunghezza anomala.

Utilizzare una lima piatta e un utensile misuratore di profondità per regolare il misuratore di profondità.

1. Posizionare l'utensile misuratore di profondità sopra la catena. Le informazioni dettagliate riguardanti l'uso dell'utensile misuratore di profondità sono riportate sulla confezione.
2. Utilizzando la lima piatta, asportare la punta del misuratore di profondità che sporge dall'utensile misuratore di profondità. L'impostazione del misuratore di profondità è corretta quando, facendo scorrere la lima sull'utensile misuratore di profondità, non si incontra alcuna resistenza.

Tensionamento della catena

Nota: Controllare spesso la tensione di una catena nuova durante il periodo di rodaggio.

1. Allentare i dadi della barra di guida che fissano il coperchio del pignone. Servirsi della chiave universale. (Fig. 81)
2. Serrare manualmente i dadi della barra di guida il più a fondo possibile.
3. Sollevare la parte superiore della barra di guida ed estendere la catena serrando la vite tendicatena. Servirsi della chiave universale. Tendere la catena fino a farla aderire alla parte inferiore della barra di guida. (Fig. 82)
4. Serrare i dadi della barra di guida con la chiave universale e sollevare contemporaneamente la punta della barra di guida. (Fig. 83)

- Assicurarsi che sia possibile tirare liberamente la catena a mano senza piegarla.(Fig. 84)

Per lubrificare l'attrezzatura di taglio

Controllo della lubrificazione della catena

Controllare la lubrificazione della motosega a ogni rifornimento.

- Avviare il prodotto e farlo girare a 3/4 del proprio regime. Rivolgere la punta della barra di guida verso una superficie chiara ad almeno 20 cm (8 pollici) di distanza.
- Dopo 1 minuto di funzionamento, sulla superficie chiara è visibile una traccia d'olio.
- Se dopo 1 minuto la traccia d'olio non è visibile, pulire il canale di lubrificazione nella barra di guida.

Pulire la scanalatura sul bordo della barra di guida. Assicurarsi che il pignone puntale della barra di guida giri liberamente e che il foro di lubrificazione non sia ostruito. Pulire e lubrificare il pignone di punta.

- Avviare il prodotto e farlo girare a 3/4 del proprio regime. Rivolgere la punta della barra verso una superficie chiara ad almeno 20 cm (8 pollici) di distanza.
- Dopo 1 minuto di funzionamento, sulla superficie chiara è visibile una traccia d'olio.
- Se dopo 1 minuto la traccia d'olio non è visibile, rivolgersi al proprio concessionario autorizzato.

TRASPORTO

- Svuotare i serbatoi del carburante e dell'olio della catena prima del trasporto. Smaltire correttamente i liquidi usati.
- Posizionare il coperchio della barra di guida sul gruppo di taglio durante il trasporto. Questo impedisce alle persone di toccare accidentalmente la catena affilata. Una catena non in funzione può

causare lesioni all'operatore o ad altre persone che entrano in contatto con una catena affilata.

- Rimuovere dalla candela il cappuccio della candela e inserire il freno della catena prima del trasporto.
- Assicurarsi che il prodotto non possa muoversi durante il trasporto.

RIMESSAGGIO

- Conservare sempre il prodotto in modo sicuro quando non è in funzione. Perdite e fumi dal prodotto possono entrare in contatto con scintille o fiamme vive generate da apparecchiature elettriche, rasaerba elettrici, relè/interruttori, caldaie, ecc.
- Conservare sempre il carburante in un contenitore omologato.
- Svuotare i serbatoi del carburante e dell'olio della catena in caso di rimessaggio del prodotto per periodi di tempo prolungati. Smaltire correttamente i liquidi usati.

- Durante il rimessaggio, mettere sulla barra di guida il coperchio della barra di guida. Questo impedisce alle persone di toccare accidentalmente la catena affilata. Una catena non in funzione può causare gravi lesioni all'operatore o ad altre persone che entrano in contatto con una catena affilata.
- Rimuovere dalla candela il cappuccio della candela e inserire il freno della catena prima del rimessaggio.

DATI TECNICI

	unità	130 (H13038HV)	135 Mark II (H13038HV)
Specifiche motore			
Cilindrata	cm ³	38	38
Candela	—	NGK BPMR 7A	NGK BPMR 7A
Distanza tra gli elettrodi	mm (pollici)	0,5 (0,02)	0,5 (0,02)
Volume serbatoio del carburante	cm ³	350	350
Regime minimo	min ⁻¹	2800-3200	2800-3200

	unità	130 (H13038HV)	135 Mark II (H13038HV)
Potenza erogata a 9000 giri/min ⁻¹	kW	1,5	1,6
Periodo di durata delle emissioni	h	125	125
Dati relativi a rumorosità e vibrazioni			
Livello di vibrazioni equivalente (ahv, eq) impugnatura sinistra ²¹	m/s ²	3,72	3,72
Livello di vibrazioni equivalente (ahv, eq) impugnatura destra ²²	m/s ²	5,5	5,5
Livello di potenza acustica, garantito (L _{WA}) ²³	dB(A)	116	116
Livello di potenza acustica, misurato ²⁴	dB(A)	114	114
Livello di pressione acustica all'orecchio dell'operatore ²⁵	dB(A)	102	102
Dimensioni del prodotto			
Peso (esclusa attrezzatura di taglio)	kg	4,68 (10,3)	4,68 (10,3)
Capacità serbatoio dell'olio	cm ³	260	260
Carburante e sistema di lubrificazione			
Portata della pompa dell'olio a 9000 min ⁻¹	ml/min	9	9
Tipo di pompa dell'olio	—	Automatica	Automatica
Catena e barra di guida			
Lunghezza barra di guida standard	cm (pollici)	35-40 (14-16)	35-40 (14-16)
Lunghezza raccomandata della barra di guida	cm (pollici)	35-40 (14-16)	35-40 (14-16)
Lunghezza di taglio effettiva	cm (pollici)	33-38 (13-15)	33-38 (13-15)
Velocità massima della catena	m/s	22,3	22,3
Passo della catena	mm (pollici)	9,52 (3/8)	9,52 (3/8)
Spessore delle maglie di trascinamento (calibro)	mm (pollici)	1,3 (0,050)	1,3 (0,050)
Tipo di pignone guida	—	Fisso	Fisso
Numero di denti del pignone guida	—	6	6

²¹ Il livello di vibrazioni equivalente è calcolato come la quantità totale di energia, in media ponderata rispetto al tempo, dei livelli di vibrazione a diverse condizioni di esercizio. I dati riportati per il livello di vibrazioni equivalente hanno una dispersione statistica tipica (deviazione standard) di 1,5 m/s².

²² Il livello di vibrazioni equivalente è calcolato come la quantità totale di energia, in media ponderata rispetto al tempo, dei livelli di vibrazione a diverse condizioni di esercizio. I dati riportati per il livello di vibrazioni equivalente hanno una dispersione statistica tipica (deviazione standard) di 1,5 m/s².

²³ Emissioni di rumore nell'ambiente misurate come potenza acustica (L_{WA}).

²⁴ Emissioni di rumore nell'ambiente misurate come potenza acustica (L_{WA}).

²⁵ Il livello di pressione acustica equivalente è calcolato come la quantità totale di energia, in media ponderata rispetto al tempo, dei livelli di pressione acustica a diverse condizioni di esercizio. La dispersione statistica tipica del livello di pressione acustica equivalente è una deviazione standard di 2,5 dB (A).

ACCESSORI

Combinazioni barra di guida e catena

Barra di guida				Catena	
Lunghezza	Passo	Spessore	Raggio puntale max.	Tipo	Numero di maglie di trascinamento
14 pollici	3/8 di pollice	0,050 pollici	7T	Husqvarna H37	52
16 pollici				Husqvarna S93G	56

Combinazioni di affilatura della catena e catena

Tipo di catena	Dimensione della lima tonda	Angolo della piastra laterale	Angolo della piastra superiore	Angolo di guida della lima	Impostazione del misuratore di profondità	Codice misuratore profondità	Codice di affilatura
H37, S93G	5/32 di pollice 4,0 mm	80°	30°	0°	0,025 / 0,65	5056981-03	5052437-01

CONTENUTO DELLA DICHIARAZIONE DI CONFORMITÀ CE

Husqvarna AB, SE 561 82 Huskvarna, SVEZIA, dichiara sotto la propria esclusiva responsabilità che il prodotto indicato:

Descrizione	Motosega a benzina
Marchio	Husqvarna
Piattaforma / Tipo / Modello	Piattaforma H13038HV, rappresentante il modello 130, 135 Mark II
Lotto	Numero di serie a partire dal 2018

è pienamente conforme alle seguenti norme e direttive UE:

Direttiva/norma	Descrizione
2006/42/CE	"relativa alle macchine"

Direttiva/norma	Descrizione
2014/30/UE	"sulla compatibilità elettromagnetica"
2000/14/CE	"relativa al rumore nell'ambiente esterno"
2011/65/UE	"restrizione dell'uso di determinate sostanze pericolose"

Le norme armonizzate e/o specifiche tecniche applicate sono le seguenti: EN ISO 12100, EN ISO 11681-1, CISPR 12, ISO 14982

In conformità alla direttiva 2000/14/CE, Allegato V, i valori per i livelli sonori dichiarati sono riportati nella sezione Dati tecnici del presente manuale e nel documento firmato Dichiarazione di conformità UE.

L'ente notificato per le macchine (notifica n. 0197) TÜV Rheinland LGA Products GmbH, Tillystraße 2 - 90431

Norimberga, Germania, ha eseguito il test di omologazione CE in base alla direttiva 2006/42/CE, articolo 12, punto 3b.

Il certificato di omologazione, in conformità all'allegato IX, come indicato nella Dichiarazione di conformità firmata, si applica a tutti i siti produttivi e paesi d'origine, così come riportati sul prodotto.

La presente motosega è conforme al campione sottoposto a controllo CE.

Inhoud

INLEIDING.....	84	TRANSPORT.....	95
VEILIGHEID.....	85	OPSLAG.....	95
MONTEREN.....	89	TECHNISCHE GEGEVENS.....	95
BEDIENING.....	90	ACCESSOIRES.....	97
ONDERHOUD.....	92	INHOUD VAN DE EG-VERKLARING VAN OVEREENSTEMMING.....	97

INLEIDING

Gebruikershandleiding

De oorspronkelijke taal van deze gebruikshandleiding is Engels. Bedieningshandleidingen in andere talen zijn vertalingen uit het Engels.

Overzicht

(Fig. 1)

1. Cilinderkap
2. Brandstofpomp
3. Product- en serienummerplaatje
4. Informatie- en waarschuwingsplaatje
5. Stopschakelaar
6. Achterste handvat
7. Brandstoftank
8. Startkoordhendel
9. Starterhuis
10. Velrichtpunt
11. Kettingolietank
12. Voorste handgreep
13. Kettingrem met terugslagbeveiliging
14. Geluiddemper
15. Zaagketting
16. Neuswiel
17. Geleider
18. Kettingspannerschroef (130)
19. Kettingspannerschroef (135 Mark II)
20. Schorssteun
21. Kettingvanger
22. Koppelingsdeksel
23. Rechterhandbescherming
24. Gashendel
25. Gashendelvergrendeling
26. Geleiderkap
27. Combinatietang
28. Gebruikershandleiding

Symbolen op het product

(Fig. 2) Waarschuwing

- (Fig. 3) Lees deze handleiding
- (Fig. 4) Gebruik goedgekeurde hoofdbescherming, gehoorbescherming en oogbescherming
- (Fig. 5) Draag goedgekeurde beschermende handschoenen
- (Fig. 6) Het product voldoet aan de geldende EG-richtlijnen
- (Fig. 7) Geluidsvermogen
- (Fig. 8) Kettingrem, niet ingeschakeld (links).
Kettingrem, ingeschakeld (rechts)
- (Fig. 9) Chokehendel
- (Fig. 10) Balgje voor extra brandstoftoevoer
- (Fig. 11) Tanken
- (Fig. 12) Zaagkettingolie bijvullen
- (Fig. 13) Dit apparaat voldoet aan de geldende EAC-richtlijnen
- (Fig. 14) Dit apparaat voldoet aan de geldende Oekraïense richtlijnen
- (Fig. 15) Dit apparaat voldoet aan de geldende Koreaanse richtlijnen
- (Fig. 16) Dit apparaat voldoet aan de geldende Japanse richtlijnen
- (Fig. 17) Geluidsniveau
- (Fig. 18) Houd het apparaat op de juiste wijze met beide handen vast
- (Fig. 19) Niet gebruiken met slechts één hand

(Fig. 20) Voorkom contact met de neus van de geleider

(Fig. 21) Pas op voor terugslag

(Fig. 22) Dit apparaat voldoet aan de geldende Australische en Nieuw-Zeelands richtlijnen inzake elektromagnetische compatibiliteit.

Voorstel 65

(Fig. 23)

EU V



WAARSCHUWING: De EU-typegoedkeuring van dit product vervalt als ongeoorloofde wijzigingen aan de motor aangebracht worden.

Productaansprakelijkheid

Zoals uiteengezet in de wet voor productaansprakelijkheid zijn wij niet aansprakelijk voor schade die door ons product wordt veroorzaakt, indien:

Let op: Andere symbolen/stickers op het product hebben betrekking op certificeringseisen voor overige commerciële markten.

- het product niet goed is gerepareerd.
- het product is gerepareerd met onderdelen die niet van de fabrikant afkomstig zijn, of onderdelen die niet zijn goedgekeurd door de fabrikant.
- het product een accessoire bevat die niet afkomstig is van de fabrikant of niet is goedgekeurd door de fabrikant.
- het product niet is gerepareerd door een erkend servicepunt of door een erkende autoriteit.

VEILIGHEID

Veiligheidsdefinities

De onderstaande definities geven de mate van ernst weer voor elk trefwoord.



WAARSCHUWING: Letsel aan personen.



OPGELET: Schade aan het product.

Let op: Deze informatie maakt het product eenvoudiger in gebruik.

Algemene veiligheidsinstructies

- Gebruik het product op de juiste manier. Onjuist gebruik leidt mogelijk tot letsel of de dood. Gebruik het product uitsluitend voor de taken die in deze handleiding worden genoemd. Gebruik het product niet voor andere taken.
- Lees, begrijp en houd u aan de instructies in deze handleiding. Volg de veiligheidssymbolen en veiligheidsinstructies op. Het niet in acht nemen van de instructies en de symbolen kan leiden tot letsel, schade of de dood.
- Gooi deze handleiding niet weg. Gebruik de instructies voor het monteren, gebruiken en onderhouden van uw product. Gebruik de instructies voor een correcte installatie van opzetstukken en

accessoires. Gebruik alleen goedgekeurde opzetstukken en accessoires.

- Gebruik nooit een beschadigd product. Neem het onderhoudsschema in acht. Voer alleen onderhoudswerkzaamheden uit waarvoor u in deze handleiding een instructie aantreft. Alle overige onderhoudswerkzaamheden moeten door een erkend servicepunt worden uitgevoerd.
- Deze handleiding kan niet alle situaties beschrijven die zich voor kunnen doen wanneer u dit product gebruikt. Wees voorzichtig en gebruik uw gezond verstand. Gebruik het product niet en voer geen onderhoudswerkzaamheden aan het product uit als u niet zeker bent van de situatie. Neem voor meer informatie contact op met een productexpert, uw dealer, servicewerkplaats of erkende servicepunt.
- Koppel de bougiekabel los voordat u het product monteert, het product opslaat of onderhoudswerkzaamheden uitvoert.
- Gebruik het product niet als de oorspronkelijke specificatie is gewijzigd. Vervang geen onderdelen van het product zonder toestemming van de fabrikant. Gebruik alleen onderdelen die zijn goedgekeurd door de fabrikant. Onjuist onderhoud kan leiden tot letsel of de dood.
- Adem geen dampen in van de motor. Langdurige inademing van de uitlaatgassen van de motor, kettlingolienevel of zaagstof kan een gevaar voor de gezondheid opleveren.
- Start het product niet in gesloten ruimtes of in de buurt van licht ontvlambaar materiaal. De uitlaatgassen zijn heet en kunnen vonken veroorzaken die tot brand kunnen leiden.

Onvoldoende ventilatie kan leiden tot ernstig of fataal letsel door verstikking of het inademen van koolmonoxide.

- Dit apparaat genereert tijdens bedrijf een elektromagnetisch veld. Het elektromagnetische veld kan schade veroorzaken aan medische implantaten. Raadpleeg uw arts en de fabrikant van het medische implantaat voordat u het product gebruikt.
- Laat het product niet door een kind bedienen.
- Laat het product niet bedienen door een persoon die de instructies niet heeft gelezen.
- Houd personen met een lichamelijke of geestelijke beperking die het product gebruiken, altijd in de gaten. Er moet te allen tijde een verantwoordelijke volwassene aanwezig zijn.
- Berg het product op in een afgesloten ruimte die niet toegankelijk is voor kinderen of onbevoegde personen.
- Het product kan objecten uitwerpen en letsel veroorzaken. Neem de veiligheidsinstructies in acht om het risico op letsel of de dood te verlagen.
- Blijf in de buurt van het product wanneer de motor is ingeschakeld. Schakel de motor uit en zorg ervoor dat de ketting niet draait.
- De gebruiker van het product is verantwoordelijk indien zich een ongeval voordoet.
- Zorg dat er geen onderdelen beschadigd zijn, voordat u het product gebruikt.
- Neem nationale en lokale wetgeving in acht. Deze kan het gebruik van het product in sommige situaties beperken of verbieden.

Veiligheidsinstructies voor bediening

- Het voortdurend of regelmatig bedienen van het product kan zorgen voor "witte vingers" of dergelijke medische problemen als gevolg van trillingen. Houd de toestand van uw handen en vingers in de gaten als u het product voortdurend of regelmatig gebruikt. Als uw handen of vingers verkleuren, pijn doen, tintelen of dof aanvoelen, stop dan met werken en raadpleeg onmiddellijk een arts.
- Zorg ervoor dat het product volledig is gemonteerd voordat u het gaat gebruiken.
- Het gebruik van het apparaat kan tot rondvliegende voorwerpen leiden, waardoor oogletsel kan ontstaan. Draag altijd goedgekeurde oogbescherming wanneer u het apparaat gebruikt.
- Let op: Tijdens het gebruik kan een kind zonder uw medeweten dicht bij het product komen.
- Gebruik dit product niet als zich personen in het werkgebied bevinden. Schakel het product uit wanneer een persoon het werkgebied betreedt.

(Fig. 24)

- Zorg dat u het product altijd onder controle hebt.
- Het apparaat moet met twee handen worden gebruikt. Gebruik het apparaat nooit met één hand. Werken met één hand kan leiden tot ernstig letsel

voor de gebruiker, medewerkers, omstanders of een combinatie van deze personen.

- Houd de voorste handgreep vast met uw linkerhand en de achterste handgreep met uw rechterhand. Houd het apparaat rechts van uw lichaam.

(Fig. 25)

- Gebruik het apparaat niet wanneer u vermoeid of ziek bent, of alcohol of drugs hebt gebruikt.
- Gebruik het product niet als u geen hulp kunt krijgen indien zich een ongeval voordoet. Zorg ervoor dat anderen weten dat u het product gaat gebruiken voordat u het product start.
- Draai niet met het product voordat u zeker weet dat er zich geen personen of dieren in de veiligheidszone bevinden.
- Verwijder alle ongewenste materialen uit het werkgebied voordat u begint. Als de ketting een voorwerp raakt, kan dit worden weggeslingerd en letsel of schade veroorzaken. Rondom de ketting kan zich ongewenst materiaal wikkelen dat schade veroorzaakt.
- Gebruik het apparaat niet bij slecht weer, zoals mist, regen, sterke wind, gevaar voor blikseminslag of andere ongunstige weersomstandigheden. Bij slecht weer kunnen gevaarlijke omstandigheden, zoals gladde oppervlakken, ontstaan.
- Zorg dat u vrij kunt bewegen en in een stabiele houding kunt werken.
- Zorg dat u niet kunt vallen wanneer u het product gebruikt. Buig u niet voorover of achterover wanneer u het product bedient.
- Houd het product altijd met twee handen vast. Houd de voorste handgreep vast met uw linkerhand en de achterste handgreep met uw rechterhand. Houd het apparaat rechts van uw lichaam.
- Als de chokehendel tijdens het starten van de motor in de chokestand staat, zal de ketting gaan draaien.
- Schakel de motor uit voordat u het product verplaatst.
- Zet het product niet neer terwijl de motor is ingeschakeld.
- Stop de motor voordat u ongewenste materialen verwijderd van het apparaat. Laat de ketting eerst stoppen voordat u (al dan niet met een hulpmiddel) het gesneden materiaal verwijdert.
- Gebruik dit apparaat niet in een boom. Het gebruik van dit apparaat in een boom kan letsel veroorzaken.

(Fig. 26)

- De kettingrem moet zijn ingeschakeld wanneer het product wordt gestart, om te voorkomen dat u tijdens het starten door de ketting wordt geraakt.

(Fig. 27)

- Vermijd terugslag, wegglijden, stuiteren en vallen, daardoor kan ernstig letsel ontstaan.
- Volg alle veiligheidsvoorschriften op om ernstig letsel door terugslag en andere factoren te voorkomen.

- Stel de spanning van de zaagketting regelmatig af om zeker te zijn dat de zaagketting niet verslapt. Een slappe zaagketting kan losraken en ernstig of dodelijk letsel veroorzaken.
- Hanteer geen onjuiste werkwijze om bomen te kappen. Hierdoor kan lichamelijk letsel optreden, een nutsvoorziening worden geraakt of materiële schade ontstaan.
- De gebruiker moet op het hogerliggende terrein blijven, aangezien de boom nadat deze is gekapt, waarschijnlijk heuvelafwaarts rolt of schuift.

(Fig. 28)

- Bepaal een vluchtroute en maak deze zo nodig vrij voordat u gaat zagen. De vluchtweg moet zich naar achteren en diagonaal ten opzichte van het uiteinde van de verwachte vallijn uitstrekken.

(Fig. 29)

- Schakel altijd de motor uit voordat u het apparaat verplaatst tussen de bomen.
- Zorg dat uw voeten stevig op de grond staan en verdeel uw gewicht gelijkmatig over beide voeten.

(Fig. 30)

- Ga altijd goed staan en bedien het apparaat alleen terwijl u op een vaste, stevige en vlakke ondergrond staat. Gladde of onstabiele oppervlakken, zoals ladders, kunnen verlies van evenwicht of controle veroorzaken.

(Fig. 31)

Weggliden, stuiteren, vallen en terugslag

Verskillende krachten kunnen van invloed zijn op een veilig gebruik van het apparaat.

- **Weggliden** doet zich voor wanneer de geleider snel langs het hout beweegt.
- **Stuiteren** doet zich voor wanneer de geleider omhoog komt van het hout en het hout telkens opnieuw raakt.
- **Vallen** doet zich voor wanneer het apparaat in neerwaartse richting beweegt nadat de snede is gemaakt. Hierdoor kan de draaiende ketting een lichaamsdeel of andere voorwerpen raken en letsel of schade veroorzaken.
- **Terugslag** doet zich voor wanneer het uiteinde van de geleider in aanraking komt met een voorwerp en daardoor naar achteren, naar boven of plotseling naar voren beweegt. Terugslag treedt ook op wanneer het hout dichttrekt en de zaag bekneld raakt tijdens het snijden. Als het apparaat een voorwerp in het hout raakt, bestaat het gevaar dat u de controle verliest. (Fig. 32)
- **Roterende terugslag** kan optreden wanneer de draaiende ketting een voorwerp aan de bovenzijde van de geleider raakt. Hierdoor kan de ketting zich in het voorwerp werken en onmiddellijk tot stilstand komen. Dit leidt tot een zeer snelle, omgekeerde reactie die tot gevolg

heeft dat de geleider omhoog en naar achteren beweegt in de richting van de gebruiker. (Fig. 33)

- **Terugslag door beknelling** kan optreden wanneer de zaagketting tijdens het snijden plotseling tot stilstand komt. Het hout trekt dicht en klemt de draaiende zaagketting vast langs de bovenzijde van de geleider. Door het plotselinge stoppen van de ketting komen krachten in tegengestelde richting vrij, zodat het apparaat in omgekeerde richting van de kettingsrotatie gaat bewegen. Het apparaat beweegt naar achteren, in de richting van de gebruiker. (Fig. 34)
- **Intrekken** kan optreden wanneer de zaagketting plotseling tot stilstand komt doordat de draaiende ketting een voorwerp in het hout aan de onderzijde van de geleider raakt. Door het plotselinge stoppen wordt het apparaat naar voren, weg van de gebruiker getrokken, waardoor de gebruiker de controle over het apparaat kan verliezen. (Fig. 35)

Voordat u het apparaat in gebruik neemt, moet u inzicht hebben in de verschillende krachten en weten hoe u deze situaties kunt voorkomen. Zie *Voorkomen van terugslag, wegglijden, stuiteren en vallen op pagina 87*.

Voorkomen van terugslag, wegglijden, stuiteren en vallen

- Wanneer de motor draait, moet u het product stevig vasthouden. Houd de voorste handgreep vast met uw linkerhand en de achterste handgreep met uw rechterhand. Zorg voor een stevige grip met uw duimen en vingers rondom de handgrepen. Laat de handgrepen niet los.
- Houd het apparaat onder controle tijdens het snijden en nadat het hout op de grond is gevallen. Let erop dat het apparaat niet door het gewicht in neerwaartse richting beweegt nadat de snede is gemaakt.
- Zorg dat het gebied waarin u aan het zagen bent, vrij is van obstakels. Voorkom dat de neus van de geleider een boomstronk, tak of ander obstakel raakt tijdens het gebruik van het apparaat. (Fig. 36)
- Zaag met een hoog motortoerental.
- Reik nooit te ver en zaag nooit boven schouderhoogte. (Fig. 37)
- Volg de instructies van de fabrikant met betrekking tot het slijpen en onderhouden van de zaagketting.
- Monteer uitsluitend vervangende geleiders en zaagkettingen die door de fabrikant zijn gespecificeerd.
- Het gevaar van terugslag neemt toe als de hoogte van de dieptesteller te groot is.

Persoonlijke beschermingsmiddelen

- Draag altijd de juiste persoonlijke beschermingsmiddelen wanneer u het apparaat

gebruikt. Persoonlijke beschermingsmiddelen zorgen ervoor dat letsel bij ongevallen minder ernstig zal zijn, maar kunnen letsel niet volledig voorkomen.

- Draag geen loszittende kleding die klem kan raken in de zaagketting.
- Draag een goedgekeurde veiligheidshelm.
- Gebruik altijd goedgekeurde gehoorbescherming wanneer u het product gebruikt. Langdurig lawaai kan gehoorverlies veroorzaken.
- Draag altijd een veiligheidsbril of gezichtsvizier om letselgevaar door rondvliegende voorwerpen te verminderen. Het apparaat kan voorwerpen met grote kracht wegslingeren, zoals houtsnippers en kleine stukjes hout. Hierdoor kan ernstig letsel ontstaan, ook aan de ogen.
- Draag handschoenen met kettingzaagbescherming.
- Draag een broek met kettingzaagbescherming.
- Draag laarzen met kettingzaagbescherming, stalen neuzen en antislipzolen.
- Zorg ervoor dat u een EHBO-kit bij de hand hebt.
- Er kunnen vonken springen vanaf de uitlaatdemper, geleider en zaagketting of vanaf andere onderdelen. Zorg dat u altijd een brandblusser en een schop bij de hand hebt om bosbranden te voorkomen.

Veiligheidsvoorzieningen op het product

- Gebruik geen product met beschadigde beschermingsmiddelen. Als het product beschadigd is, neemt u dan contact op met een erkend servicepunt.

Stopschakelaar controleren

1. Start de motor. Zie *Voordat u de motor start op pagina 90*.
2. Controleer of de motor stopt wanneer u de stopschakelaar in de stop-stand zet.

Gashendelvergrendeling controleren

1. Zorg dat de gashendel (B) is vergrendeld in de stationaire stand wanneer u de gashendelvergrendeling (A) ontgrendelt (Fig. 38).
2. Druk op de gashendelvergrendeling (A) en controleer of deze teruggaat naar de oorspronkelijke stand wanneer u deze loslaat.
3. Druk op de gashendel (B) en controleer of deze teruggaat naar de oorspronkelijke stand wanneer u deze loslaat.
4. Start de motor en zet het gas volledig open.
5. Laat de gashendel los en controleer of de zaagketting tot stilstand komt.
6. Als de zaagketting draait terwijl de gashendel in de stationaire stand staat, controleer dan de stelschroef voor de stationaire stand van de carburateur.

Beschermkap

De beschermkap voorkomt dat voorwerpen in de richting van de gebruiker worden geslingerd. De beschermkap voorkomt ook dat de zaagketting tegen de gebruiker aan komt.

- Zorg dat de beschermkap is toegestaan voor gebruik in combinatie met het product.
- Gebruik het product niet zonder de beschermkap.
- Controleer of de beschermkap niet is beschadigd. Vervang de beschermkap als deze is versleten of scheuren vertoont.

Brandstofveiligheid

- Start het product niet als er brandstof of motorolie op het product aanwezig is. Verwijder de ongewenste brandstof/olie en laat het product drogen. Verwijder ongewenste brandstof van het product.
- Als u brandstof op uw kleding morst, trek dan direct andere kleding aan.
- Zorg dat er geen brandstof op uw lichaam terecht komt, dit kan letsel veroorzaken. Als er brandstof op uw lichaam terecht komt, verwijder deze dan met water en zeep.
- Start de motor niet als u brandstof op het product of op uw lichaam hebt gemorst.
- Start het product niet als er sprake is van een motorlekkage. Controleer de motor regelmatig op lekkage.
- Wees voorzichtig met brandstof. Brandstof is licht ontvlambaar en de dampen zijn explosief. Ze kunnen letsel veroorzaken of leiden tot de dood.
- Adem geen brandstofdampen in, dit kan letsel veroorzaken. Zorg voor voldoende ventilatie.
- Rook niet in de buurt van de brandstof of de motor.
- Plaats geen warme voorwerpen in de buurt van de brandstof of de motor.
- Vul geen brandstof bij terwijl de motor is ingeschakeld.
- Zorg ervoor dat de motor koud is wanneer u brandstof bijvult.
- Draai de tankdop langzaam open en laat de druk voorzichtig ontsnappen voordat u brandstof bijvult.
- Vul geen brandstof voor de motor bij in een afgesloten ruimte. Onvoldoende ventilatie kan leiden tot ernstig letsel of de dood door verstikking of het inademen van koolmonoxide.
- Draai de tankdop goed vast, zodat er geen brand kan ontstaan.
- Verplaats het product minstens 3 m (10 ft) van de plaats waar u de brandstoftank hebt gevuld, voordat u het product start.
- Doe niet te veel brandstof in de brandstoftank.
- Zorg dat er geen brandstof wordt gemorst wanneer u het product of de jerrycan met brandstof verplaatst.
- Plaats het product of de jerrycan met brandstof niet op een plaats waar deze wordt blootgesteld aan

open vuur, vonken of waakvlammen. Zorg dat er geen open vuur aanwezig is in de opslagruimte.

- Gebruik alleen goedgekeurde jerrycans voor het verplaatsen of opslaan van brandstof.
- Leeg de brandstoftank voordat het product gedurende lange tijd wordt opgeslagen. Neem lokale wetgeving in acht voor het afvoeren van brandstof.
- Reinig het product voordat het gedurende lange tijd wordt opgeslagen.
- Verwijder de bougiekabel voordat het product wordt opgeslagen, zodat de motor niet onbedoeld kan starten.

Veiligheidsinstructies voor onderhoud

- Koppel altijd de bougie los voordat u onderhoudswerkzaamheden gaat uitvoeren, behalve wanneer u de carburateur wilt afstellen.
- Laat alle onderhoudswerkzaamheden aan het apparaat uitvoeren door een erkende dealer, met uitzondering van de werkzaamheden in *ONDERHOUD op pagina 92*.
- Controleer of de zaagketting tot stilstand komt wanneer de gashendel wordt losgelaten.
- Zorg dat de handgrepen droog, schoon en vrij van olie of brandstof blijven.
- Zorg dat doppen en bevestigingen goed blijven vastzitten.
- Het gebruik van niet-goedgekeurde vervangende onderdelen of het verwijderen van veiligheidsvoorzieningen kan leiden tot schade aan

het apparaat. Hierdoor kan ook letsel ontstaan bij de gebruiker of bij omstanders. Gebruik alleen aanbevolen accessoires en vervangende onderdelen. Breng geen wijzigingen aan het product aan.

- Zorg dat de zaagketting scherp en schoon blijft voor veilige, uitstekende prestaties.
- Volg de instructies voor het smeren en vervangen van onderdelen.
- Controleer het product op beschadigde onderdelen. Controleer of eventuele schade aan de beschermkap of een bepaald onderdeel een correcte werking in de weg staat, voordat u het apparaat opnieuw in gebruik neemt. Controleer op defecte of onjuist uitgelijnde onderdelen en op onderdelen die niet vrij bewegen. Controleer of er andere omstandigheden zijn die de werking van het apparaat negatief kunnen beïnvloeden. Controleer of het apparaat correct is gemonteerd. Een beschadigde beschermkap of ander beschadigd onderdeel moet worden gerepareerd of vervangen door een erkende dealer, tenzij de gebruikershandleiding anders vermeldt.
- Wanneer het apparaat niet in gebruik is, bewaart u het op een droge, hoge en afgesloten locatie buiten het bereik van kinderen.
- Gebruik tijdens het transporteren of opslaan van het apparaat een geleiderkap of afscherming om het apparaat te verplaatsen.
- Gebruik geen afgewerkte olie. Afgewerkte olie kan gevaarlijk voor u zijn en schade aan het apparaat en milieu toebrengen.

MONTEREN



WAARSCHUWING: Zorg dat u het hoofdstuk over veiligheid hebt gelezen en begrepen voordat u het apparaat monteert.

Geleider en zaagketting monteren

1. Verwijder voorafgaand aan het monteren de kap van de bougie om onbedoeld starten te voorkomen. (Fig. 39) (Fig. 40)
2. Draai de zaagbladmoeren los en verwijder het koppingsdeksel. Verwijder de transportbescherming (A). (Fig. 41)
3. Houd de geleider boven de zaagbladbouten. Duw de geleider volledig in de achterste positie.
4. Trek handschoenen met kettingzaagbescherming aan.
5. Til de zaagketting boven het kettingaandrijf wiel en positioneer de ketting in de groef van de geleider. Begin aan de bovenzijde van de geleider. (Fig. 42)
6. Zorg dat de snijkanten van de zaagschakels aan de bovenrand van de geleider naar voren wijzen.
7. Monteer het koppingsdeksel en breng de stelpen van de kettingspanner aan in de uitsparing van de geleider.
8. Controleer of de aandrijfschakels van de zaagketting correct aanliggen op het kettingaandrijf wiel. Controleer ook of de zaagketting correct is gepositioneerd in de groef op de geleider.
9. Draai de geleidermoeren met de hand vast.
10. Span de zaagketting door de kettingspannerschroef rechtsonter te draaien met de combinatietang. Verhoog de spanning van de zaagketting totdat deze niet meer slap onder de geleider hangt, maar u de ketting nog wel gemakkelijk met de hand kunt draaien. (Fig. 43) en (Fig. 44)
11. Houd het uiteinde van de geleider omhoog en draai de zaagbladmoeren vast met de combinatietang. (Fig. 45)
 - Controleer na het monteren van een nieuwe zaagketting regelmatig de kettingspanning, totdat de zaagketting is ingelopen.
 - Controleer de kettingspanning op gezette tijden. Een correcte kettingspanning leidt tot goede zaagresultaten en een lange levensduur.

BEDIENING



WAARSCHUWING: Lees en begrijp het hoofdstuk over veiligheid voordat u het product gebruikt.

Brandstof gebruiken



OPGELET: Dit product heeft een tweetaktmotor. Gebruik een mengsel van benzine en tweetakt-motorolie. Zorg dat u de juiste hoeveelheid olie gebruikt in het mengsel. Door een onjuiste verhouding van benzine en olie kan de motor beschadigd raken.

Mengverhouding voor brandstof

De mengverhouding voor benzine en tweetakt-motorolie is 50:1 (2%)

Benzine	Tweetakt-motorolie
1 U.S. Gal.	77 ml (2,6 oz)
1 UK Gal.	95 ml (3,2 oz)
5 l	100 ml (3,4 oz)

Brandstof mengen

1. Bepaal de juiste hoeveelheid benzine en motorolie (mengverhouding 50:1). Prepareer geen grotere hoeveelheid brandstofmengsel dan u binnen 30 dagen zult gebruiken. Zie *Mengverhouding voor brandstof op pagina 90*.
2. Giet de helft van de hoeveelheid benzine in een schone jerrycan met een anti-morsschenkuit.



OPGELET: Gebruik geen benzine met een ethanolgehalte van meer dan 10% (E10). Dit kan schade aan het product veroorzaken.



OPGELET: Gebruik geen benzine met een octaangetal lager dan 90 RON (87 AKI). Dit kan schade aan het product veroorzaken.

Let op: Gebruik benzine met een hoger octaangetal als u het product regelmatig gebruikt met een hoog motortoerental.

3. Voeg de volledige hoeveelheid tweetakt-motorolie toe aan de jerrycan.



OPGELET: Gebruik altijd motorolie van hoge kwaliteit voor luchtgekoelde

tweetaktmotoren. Andere oliën kunnen schade aan het apparaat veroorzaken.

4. Schud het brandstofmengsel om de stoffen te mengen.
5. Voeg de resterende hoeveelheid benzine toe aan de jerrycan.
6. Schud het brandstofmengsel om de stoffen te mengen.
7. Vul de brandstoftank van het apparaat met het brandstofmengsel. Zie *Mengverhouding voor brandstof op pagina 90*.

Brandstoftank vullen

1. Zorg dat het brandstofmengsel juist is en zich in een jerrycan met een anti-morsschenkuit bevindt.
2. Als zich aan de buitenzijde van de jerrycan brandstof bevindt, verwijdert u dit en laat u de jerrycan drogen.
3. Zorg dat het oppervlak rondom de tankdop schoon is.
4. Verwijder de brandstoftankdop. (Fig. 46)
5. Schud de jerrycan voordat u het brandstofmengsel in de brandstoftank laat lopen.
6. Plaats de tankdop terug.

Zaagketting smeren

Het apparaat is voorzien van een automatisch smeersysteem. Zorg dat u alleen de juiste kettingolie gebruikt en volg de instructies.

1. Gebruik plantaardige zaagkettingolie of een standaard kettingolie.
2. Zorg dat het gebied in de buurt van de tankdop van de kettingolietank schoon is.
3. Verwijder de dop van de kettingolietank.
4. Vul de kettingolietank met de aanbevolen zaagkettingolie.
5. Plaats de dop van de kettingolietank terug.

Voordat u de motor start

- Controleer het product op ontbrekende, beschadigde, loszittende of versleten onderdelen.
- Controleer de moeren, schroeven en bouten.
- Controleer het luchtfilter.
- Controleer of de gashendelvergrendeling en de gashendel naar behoren werken.
- Controleer of de stopschakelaar naar behoren werkt.
- Controleer het product op brandstoflekkage.
- Controleer de scherpte en de spanning van de zaagketting.

Koude motor starten

1. Duw de terugslagbeveiliging naar voren om de kettingrem in te schakelen. (Fig. 47)
2. Trek de chokehendel naar buiten en omhoog.
3. Druk het balgje voor extra brandstoftoevoer 6 maal in. (Fig. 48)
4. Druk de behuizing van het apparaat met uw linkerhand op de grond. Stap niet op het product. Trek langzaam aan de greep van het startkoord totdat u enige weerstand voelt. Trek daarna stevig aan de greep van het startkoord. (Fig. 49)

Let op: Trek niet aan de gashendel terwijl u de motor start.

5. Trek herhaaldelijk aan de greep van het startkoord totdat de motor start of probeert te starten (max. 3 keer trekken). Als de motor start of probeert te starten, drukt u de chokehendel omlaag. (Fig. 50)



OPGELET: Trek niet aan het startkoord totdat deze stopt. Laat het startkoord niet los wanneer het volledig is uitgetrokken. Laat het startkoord langzaam los. Het niet naleven van deze instructies kan leiden tot motorschade.

6. Trek net zolang aan de greep totdat de motor start. Wacht na het starten van de motor 60 seconden voordat u de gashendel bedient.
7. Trek de handbescherming terug in de richting van de voorste handgreep om de kettingrem uit te schakelen.
8. Houd de achterste handgreep vast met uw rechterhand en de voorste handgreep met uw linkerhand.
9. Neem het apparaat in gebruik.

Warme motor starten

1. Duw de terugslagbeveiliging naar voren om de kettingrem in te schakelen. (Fig. 51)
2. Trek de chokehendel naar buiten en omhoog.
3. Druk het balgje voor extra brandstoftoevoer 6 maal in. (Fig. 52)
4. Druk de chokehendel omlaag. (Fig. 53)
5. Druk de behuizing van het apparaat met uw linkerhand op de grond. Stap niet op het product. Trek langzaam aan de greep van het startkoord totdat u enige weerstand voelt. Trek daarna stevig aan de greep van het startkoord. (Fig. 54)



OPGELET: Trek niet aan het startkoord totdat deze stopt. Laat het startkoord niet los wanneer het volledig is uitgetrokken. Laat het startkoord langzaam los. Volg deze instructies om motorschade te voorkomen.

Let op: Trek niet aan de gashendel terwijl u de motor start.

6. Trek herhaaldelijk aan de greep van het startkoord totdat de motor start of probeert te starten (max. 3 keer trekken). Wacht na het starten van de motor 60 seconden voordat u de gashendel bedient.
7. Trek de terugslagbeveiliging naar achteren in de richting van de voorste handgreep om de kettingrem uit te schakelen.
8. Houd de achterste handgreep vast met uw rechterhand en de voorste handgreep met uw linkerhand.
9. Neem het apparaat in gebruik.

Motor starten als de brandstof te warm is

Als het apparaat niet start, is de brandstof mogelijk te warm.

Let op: Gebruik altijd nieuwe brandstof en verkort de gebruiksduur bij warm weer.

1. Leg het apparaat op een koele plek, uit de buurt van direct zonlicht.
2. Laat het apparaat minimaal 20 minuten afkoelen.
3. Druk het balgje voor extra brandstoftoevoer gedurende 10 tot 15 seconden telkens opnieuw in.
4. Volg de procedure voor het starten van een koude motor. Zie *Koude motor starten op pagina 91*.

Stoppen

- Druk de stopschakelaar in om de motor te stoppen.

Let op: De stopschakelaar keert automatisch terug naar zijn oorspronkelijke stand.

Schorssteen gebruiken

Een schorssteen voorkomt terugslag en houdt het hout vast tijdens het zagen. De schorssteen is een draaipen tussen het motorblok en de geleider.

1. Stel de onderzijde van de schorssteen in op de juiste breedte van het kantelpunt.
2. Druk met uw linkerhand tegen de voorste handgreep terwijl u de achterste handgreep omhoog tilt met uw rechterhand.
3. Gebruik de zaag totdat u een kantelpunt met de juiste breedte hebt.

Let op: Het kantelpunt moet overal even dik zijn.

4. Zaag de stam voor meer dan de helft door en plaats vervolgens de velwig in de zaagsnede.

Boom kappen

1. Verwijder vuil, stenen, losse schors, spijkers, nieten en draden uit de boom.
2. Maak een schuine zaagsnede met een diepte van één derde van de stamdikte, loodrecht op de valrichting. (Fig. 55)
3. Maak de onderste horizontale zaagsnede van de valkerf. Hierdoor voorkomt u dat de zaagketting of de geleider bekneld raakt wanneer u de tweede zaagsnede maakt.
4. Maak aan de tegenoverliggende zijde de velsnede (X), minimaal 50 mm (2 inch) hoger dan de horizontale zaagsnede van de valkerf. Zorg dat de velsnede evenwijdig loopt aan de horizontale inkeping, zodat er voldoende hout overblijft om als kantelpunt te dienen. Zaag niet door het kantelpunt. Het kantelpunt zorgt ervoor dat de boom niet draait of in de verkeerde richting valt. (Fig. 56) en (Fig. 57)
5. Wanneer de achterste velsnede dicht bij het kantelpunt komt, zal de boom beginnen te vallen. Zorg dat de boom in de juiste richting kan vallen en dat de boom niet achterwaarts overhelt en de zaagketting afklemt. Om dit te voorkomen, stopt u met zagen voordat de achterste velsnede is voltooid. Gebruik houten, kunststof of aluminium wiggen om de snede te openen en de boom in de gewenste richting te laten vallen. (Fig. 58)
6. Wanneer de boom begint te vallen, verwijdert u het product uit de snede. Stop de motor, leg het product neer en gebruik de geplande vluchtroute. Pas op voor takken die boven uw hoofd omlaag kunnen vallen en kijk waar u loopt. (Fig. 59)

Boom snoeien

1. Laat grotere takken aan de boom zitten om de stam van de grond te houden.

2. Verwijder kleine takken met één enkele snede. (Fig. 60)
3. Takken onder spanning moeten van beneden naar boven worden gezaagd om te voorkomen dat de zaagketting of geleider bekneld raakt.

Stam in stukken zagen



OPGELET: Zorg dat de zaagketting niet in aanraking komt met de grond.

- Als de stam over de gehele lengte wordt ondersteund, zaagt u vanaf de bovenzijde van de stam (dit wordt ook wel 'overbucking' of overzagen genoemd). (Fig. 61)
- Als de stam aan één uiteinde wordt ondersteund, maakt u vanaf de onderzijde een snede met een diepte van één derde van de stamdikte (dit wordt ook wel 'underbucking' of onderzagen genoemd).
- Als de stam aan beide uiteinden wordt ondersteund, maakt u vanaf de bovenzijde een snede met een diepte van één derde van de stamdikte. Voltooi de snede vanaf de onderzijde en zaag het onderste twee derde deel van de stam totdat u uitkomt bij de eerste zaagsnede. (Fig. 62)
- Als u de stam op een helling zaagt, moet u altijd op het hogerliggende terrein blijven. Zaag door de stam en zorg dat u volledige controle over het apparaat houdt. Verminder de zaagdruk vlak voor het einde van de snede en houd daarbij de achterste en voorste handgreep stevig vast. (Fig. 63)

ONDERHOUD



WAARSCHUWING: Lees en begrijp het hoofdstuk over veiligheid voordat u gaat reinigen of reparaties of onderhoud gaat uitvoeren.

Onderhoudsschema

Houd u aan het onderhoudsschema. De intervallen worden berekend op basis van het dagelijks gebruik van het product. De intervallen wijken af als u het product niet dagelijks gebruikt. Voer alleen onderhoudswerkzaamheden uit die in deze handleiding worden beschreven. Neem voor overige onderhoudswerkzaamheden die niet in deze handleiding worden beschreven contact op met een erkend servicepunt.

Dagelijks onderhoud

- Reinig de externe oppervlakken.
- Controleer of de gashendelvergrendeling en gashendel correct werken.
- Reinig de kettingrem en controleer de remfunctie.
- Controleer de kettingvanger op schade. Vervang de kettingvanger als deze beschadigd is.
- Draai de geleider dagelijks, zodat gelijkmatige slijtage ontstaat.
- Controleer of de smeeroening in de geleider niet is verstopt.
- Verwijder zaagstof en ander ongewenst materiaal van onder het kettingwiel.
- Reinig de groef van de geleider. (Fig. 64)

- Controleer of er voldoende olie wordt toegevoerd naar de geleider en zaagketting.
- Controleer de zaagketting op:
 - scheuren in klinknagels en schakels.
 - onregelmatige slijtage van klinknagels en schakels.
 - de juiste spanning.
 - bramen op de aandrijfschakels van de ketting.

Vervang zo nodig de zaagketting.

- Slijp de zaagketting. Zie *Zaagketting slijpen op pagina 94*.
- Controleer het kettingaandrijf wiel op te grote slijtage en vervang het zo nodig. (Fig. 65)
- Reinig de luchtinlaat van de motorbehuizing.
- Controleer of de moeren en schroeven goed zijn vastgedraaid.
- Controleer of de schakelaar correct werkt.

Wekelijks onderhoud

- Controleer of het koelsysteem correct werkt.
- Controleer of de startmotor, het startkoord en de terugtrekveer correct werken.
- Controleer of de onderdelen van de trillingsdemper niet zijn beschadigd.

(Fig. 66)

- Verwijdeer eventuele bramen op de randen van de geleider met een vijl.
- Reinig of vervang het vonkenscherm op de geluiddemper.

(Fig. 67)

- Reinig de externe oppervlakken van de carburateur en de aangrenzende oppervlakken.
- Reinig het luchtfilter. Breng een nieuw luchtfilter aan als het beschadigd is of te vuil is om het volledig te kunnen reinigen. Zie *Het luchtfilter reinigen op pagina 94* voor meer informatie.

Maandelijks onderhoud

- Controleer de remvoering van de kettingrem op slijtage. Vervang de remvoering als deze op het meest versleten punt minder dan 0,6 mm (0,024 inch) dik is.

(Fig. 68)

- Controleer het middenstuk van de koppeling, de koppelingstrommel en de koppelingsveer op slijtage.
- Bougie reinigen. Controleer of de afstand tussen de elektroden juist is.

(Fig. 69)

- Reinig de externe oppervlakken van de carburateur en de aangrenzende oppervlakken.
- Controleer het brandstoffilter en de brandstofslang. Vervang indien nodig.
- Leeg de brandstoftank.

- Leeg de olietank.
- Controleer alle kabels en aansluitingen.

Jaarlijks onderhoud

- Controleer de bougie.
- Reinig de externe oppervlakken van de carburateur en de aangrenzende oppervlakken.
- Reinig het koelsysteem.
- Controleer het vonkenscherm.
- Controleer het brandstoffilter.
- Controleer de brandstofslang op schade.
- Controleer alle kabels en aansluitingen.

Incidenteel onderhoud

- Laat de geluiddemper na 50 bedrijfsuren repareren of vervangen door een erkend servicecentrum.
- Voer onderhoud aan de bougie uit als:
 - het vermogensniveau van de motor te laag is.
 - de motor moeilijk kan worden gestart.
 - de motor niet naar behoren werkt bij stationair toerental.
- Controleer de smering van de zaagketting telkens wanneer u brandstof bijvult. Zie *Smering van de zaagketting controleren op pagina 95*.

Stationair toerental afstellen

Zorg dat het luchtfilter schoon is en dat het luchtfilterdeksel is aangebracht voordat het stationaire toerental wordt afgesteld.

1. Draai de stelschroef voor stationair draaien, die is gemarkeerd met een 'T', rechtsom totdat de zaagketting begint te draaien.
2. Draai de stelschroef voor stationair draaien, die is gemarkeerd met een 'T', linksom totdat de zaagketting stopt.
3. Het stationaire toerental moet lager zijn dan het toerental waarbij de zaagketting gaat draaien. Het stationaire toerental is juist wanneer de motor in alle standen soepel draait.

Onderhoud uitvoeren aan het vonkenscherm

- Gebruik een staalborstel om het vonkenscherm te reinigen. (Fig. 70)

Onderhoud uitvoeren aan de bougie



OPGELET: Gebruik de aanbevolen bougie. Zorg dat het vervangende onderdeel identiek is aan het onderdeel dat door de fabrikant wordt geleverd. Een onjuiste bougie kan leiden tot schade aan het product.

1. Als het apparaat niet soepel start of draait, controleert u de bougie op de aanwezigheid van

ongewenst materiaal. Om het risico van ongewenst materiaal op de elektroden van de bougie te beperken:

- a) zorg dat het stationaire motortoerental correct is afgesteld.
 - b) zorg dat het brandstofmengsel correct is.
 - c) zorg dat het luchtfilter schoon is.
2. Reinig de bougie als deze vuil is. Controleer of de afstand tussen de elektroden juist is.(Fig. 71)
 3. Vervang de bougie indien nodig.

Het luchtfilter reinigen

1. Verwijder het luchtfilterdeksel en verwijder het luchtfilter. (Fig. 72)
2. Reinig het luchtfilter met een warm sopje van water en zeep. Zorg dat het luchtfilter droog is wanneer u dit aanbrengt.
3. Vervang het luchtfilter als het zo vuil is dat het niet meer volledig kan worden gereinigd. Vervang een beschadigd luchtfilter altijd.

Zaagketting slijpen

De snijder

De zageende delen van een zaagketting worden zaagschakels genoemd en bestaan uit een snijtand (A) en een dieptestellernok (B). De snijdiepte van de snijder wordt bepaald door het hoogteverschil tussen deze beide punten, oftewel de instelling van de dieptesteller (C).

(Fig. 73)

Bij het slijpen van snijtanden moet u rekening houden met vier belangrijke factoren:

- Vijlhoek.

(Fig. 74)

- Snijhoek.

(Fig. 75)

- Vijlpositie.

(Fig. 76)

- Diameter van de ronde vijl.

(Fig. 77)

Snijtanden slijpen

Gebruik voor het slijpen van de snijtanden een ronde vijl en een vijlmal. Zie *Zaagkettingvijl en zaagkettingcombinaties op pagina 97* voor informatie over de aanbevolen breedte van de vijl en de vijlmal voor de zaagketting die op uw apparaat is aangebracht. (Fig. 78)

1. Zorg dat de zaagketting de juiste spanning heeft. Een ketting die niet de juiste spanning heeft, zal naar één kant bewegen en niet op de juiste wijze kunnen worden geslepen.

2. Vijl alle snijtanden aan één zijde. Vijl vervolgens alle snijtanden vanaf de binnenzijde, waarbij u tijdens het terughalen van de vijl minder druk uitoefent.
3. Leg het apparaat op de andere zijde en vijl de snijtanden.
4. Gebruik de vijl om alle snijtanden even lang te maken. Vervang een versleten zaagketting wanneer de snijtanden korter dan 4 mm (5/32 inch) zijn geworden.

Hoogte van de dieptesteller aanpassen

Slijp de snijtanden voordat u de instelling van de dieptesteller aanpast. Zie *Snijtanden slijpen op pagina 94*. Wanneer u de zaagtanden (A) slijpt, neemt de instelling van de dieptesteller (C) af. Om de maximum zaagcapaciteit te behouden, moet de dieptestellernok (B) verlaagd worden tot de aanbevolen hoogte. Zie *Zaagkettingvijl en zaagkettingcombinaties op pagina 97* voor de juiste instelling van de dieptesteller voor uw specifieke ketting.

(Fig. 79)

(Fig. 80)

Let op: Bij deze aanbeveling wordt ervan uitgegaan dat de lengte van de snijtanden niet abnormaal afgevlind werd.

Gebruik een platte vijl en een vijlmal om de hoogte van de dieptesteller aan te passen.

1. Plaats de vijlmal op de zaagketting. Gedetailleerde informatie over het gebruik van de vijlmal staat op de verpakking van de vijlmal.
2. Gebruik de platte vijl om het overschot van het deel van de dieptestellernok dat onder de mal uitkomt, weg te vijlen. De snijdiepte is correct als u geen weerstand voelt wanneer u de vijl over de mal haalt.

Zaagketting spannen

Let op: Controleer gedurende de inloopperiode regelmatig de spanning van een nieuwe zaagketting.

1. Draai de geleidermoeren los die het kettingwieldeksel op zijn plaats houden. Gebruik de combinatietang. (Fig. 81)
2. Draai de geleidermoeren met de hand zo vast mogelijk aan.
3. Til de bovenzijde van de geleider omhoog en rek de zaagketting uit door de kettingspannerschroef aan te draaien. Gebruik de combinatietang. Verhoog de spanning van de zaagketting totdat deze niet meer slap onder de geleider hangt. (Fig. 82)
4. Draai de geleidermoeren vast met de combinatietang en til tegelijkertijd de punt van de geleider omhoog. (Fig. 83)
5. Controleer of u de zaagketting met de hand soepel kunt draaien en of de ketting niet slap hangt.(Fig. 84)

Snijuitrusting smeren

Smering van de zaagketting controleren

Controleer de smering van de kettingzaag telkens wanneer u brandstof bijvult.

1. Start het apparaat en laat het draaien op driekwart van het maximale toerental. Richt de neus van de geleider op een lichtgekleurd oppervlak dat zich op een afstand van bijna 20 cm (8 inch) bevindt.
2. Na één minuut draaien is op het lichtgekleurde oppervlak een oliestreek zichtbaar.
3. Als de oliestreek na één minuut niet zichtbaar is, reinigt u het oliekanaal in de geleider. Reinig de

groef in de rand van de geleider. Controleer of het kettingwiel in de neus van de geleider vrij draait en of de smeeroening niet is verstopt. Reinig en smeer het neuskettingwiel.

4. Start het apparaat en laat het draaien op driekwart van het maximale toerental. Richt de neus van de geleider op een lichtgekleurd oppervlak dat zich op een afstand van bijna 20 cm (8 inch) bevindt.
5. Na één minuut draaien is op het lichtgekleurde oppervlak een oliestreek zichtbaar.
6. Als de oliestreek na één minuut niet zichtbaar is, neemt u contact op met uw erkende dealer.

TRANSPORT

- Maak de brandstof- en kettingolietanks leeg voordat u het apparaat vervoert. Zorg dat de gebruikte vloeistoffen veilig worden afgevoerd.
- Plaats de geleiderkap op de snijuitrusting voordat u het apparaat vervoert. Hierdoor voorkomt u dat iemand per ongeluk de scherpe zaagketting kan aanraken. Een stilstaande zaagketting kan letsel veroorzaken bij uzelf of bij anderen die de scherpe tanden van de zaagketting aanraken.
- Verwijder de kap van de bougie en schakel de kettingrem in voordat u het apparaat vervoert.
- Zorg dat het apparaat niet kan bewegen tijdens het vervoer.

OPSLAG

- Berg het apparaat altijd veilig op wanneer u het niet gebruikt. Lekkages en dampen uit het apparaat kunnen in aanraking komen met vonken of open vuur van elektrische apparatuur, elektrische grasmaaiers, relais, schakelaars, ketels enzovoort.
- Bewaar brandstof altijd in een goedgekeurde jerrycan.
- Leeg de brandstof- en kettingolietank wanneer u het apparaat voor langere tijd opslaat. Zorg dat de gebruikte vloeistoffen veilig worden afgevoerd.
- Zorg dat de geleiderkap op de geleider is geplaatst gedurende de opslagperiode. Hierdoor voorkomt u dat iemand per ongeluk de scherpe zaagketting kan aanraken. Een stilstaande zaagketting kan ernstig letsel veroorzaken bij uzelf of bij anderen die de scherpe tanden van de zaagketting aanraken.
- Verwijder de kap van de bougie en schakel de kettingrem in voordat u het apparaat opslaat.

TECHNISCHE GEGEVENS

	eenheid	130 (H13038HV)	135 Mark II (H13038HV)
Motorspecificaties			
Cilinderinhoud	cm ³	38	38
Bougie	—	NGK BPMR 7A	NGK BPMR 7A
Elektrodenafstand	mm (inch)	0,5 (0,02)	0,5 (0,02)
Inhoud brandstoftank	cm ³	350	350
Stationair toerental	min ⁻¹	2800-3200	2800-3200
Vermogen bij 9000 min ⁻¹	kW	1,5	1,6
Emissieduurzaamheidsperiode	h	125	125

	eenheid	130 (H13038HV)	135 Mark II (H13038HV)
Geluids- en trillingsgegevens			
Vergelijkbaar trillingsniveau (ahv, eq) linker handgreep ²⁶	m/s ²	3,72	3,72
Vergelijkbaar trillingsniveau (ahv, eq) rechter handgreep ²⁷	m/s ²	5,5	5,5
Geluidsvermogeniveau, gegarandeerd (L _{WA}) ²⁸	dB(A)	116	116
Geluidsvermogeniveau, gemeten ²⁹	dB(A)	114	114
Geluidsdrukniveau bij het oor van de gebruiker ³⁰	dB(A)	102	102
Productafmetingen			
Gewicht (exclusief snijuitrusting)	kg	4,68 (10,3)	4,68 (10,3)
Inhoud olietank	cm ³	260	260
Brandstof-/smeersysteem			
Capaciteit oliepomp bij 9000 min ⁻¹	ml/min	9	9
Type oliepomp	—	Automatisch	Automatisch
Zaagketting en geleider			
Standaardlengte geleider	cm (inch)	35-40 (14-16)	35-40 (14-16)
Aanbevolen lengte geleider	cm (inch)	35-40 (14-16)	35-40 (14-16)
Bruikbare zaaglengte	cm (inch)	33-38 (13-15)	33-38 (13-15)
Maximale zaagkettingsnelheid	m/s	22,3	22,3
Kettingsteek	mm (inch)	9,52 (3/8)	9,52 (3/8)
Dikte van aandrijfschakels (kaliber)	mm (inch)	1,3 (0,050)	1,3 (0,050)
Type kettingaandrijf wiel	—	Tandwiel	Tandwiel
Aantal tanden op kettingaandrijf wiel	—	6	6

²⁶ Het vergelijkbaar trillingsniveau wordt berekend als de tijdgewogen energiesom van de trillingsniveaus onder verschillende werkomstandigheden. De gerapporteerde gegevens voor een vergelijkbaar trillingsniveau vertonen een typische statistische spreiding (standaardafwijking) van 1,5 m/s².

²⁷ Het vergelijkbaar trillingsniveau wordt berekend als de tijdgewogen energiesom van de trillingsniveaus onder verschillende werkomstandigheden. De gerapporteerde gegevens voor een vergelijkbaar trillingsniveau vertonen een typische statistische spreiding (standaardafwijking) van 1,5 m/s².

²⁸ Geluidsemisatie naar de omgeving, gemeten als geluidsvermogen (L_{WA}).

²⁹ Geluidsemisatie naar de omgeving, gemeten als geluidsvermogen (L_{WA}).

³⁰ Het vergelijkbaar geluidsdrukniveau wordt berekend als de tijdgewogen energiesom van de geluidsdruk-niveaus onder verschillende werkomstandigheden. Een typische statistische spreiding voor een vergelijkbaar geluidsdruk-niveau is een standaardafwijking van 2,5 dB(A).

ACCESSOIRES

Combinaties van geleiders en zaagkettingen

Geleider				Zaagketting	
Lengte	Kettingsteek (pitch)	Kaliber	Max. kopradius	Type	Lengte, aandrijfschakels (stuks)
14 inch	3/8 inch	0,050 inch	7T	Husqvarna H37	52
16 inch				Husqvarna S93G	56

Zaagkettingvijl en zaagkettingcombinaties

Kettingtype	Afmeting van ronde vijl	Hoek zijplaat	Hoek bovenplaat	Vijlhoek	Positie dieptesteller	Onder-deelnr. dieptesteller	Onder-deelnr. vijl-mall
H37, S93G	5/32 inch 4,0 mm	80°	30°	0°	0,025 / 0,65	5056981-03	5052437-01

INHOUD VAN DE EG-VERKLARING VAN OVEREENSTEMMING

Wij, Husqvarna AB, SE 561 82 Huskvarna, ZWEDEN, verklaren onder onze alleenverantwoordelijkheid dat het gerepresenteerde product:

Beschrijving	Kettingzaag op benzine
Merk	Husqvarna
Platform / Type / Model	Platform H13038HV, vertegenwoordigend model 130, 135 Mark II
Partij	Serienummer vanaf 2018 en verder

volledig voldoet aan de volgende EU-richtlijnen en -regelgeving:

Richtlijn/Verordening	Beschrijving
2006/42/EG	"betreffende machines"
2014/30/EU	"betreffende elektromagnetische compatibiliteit"

Richtlijn/Verordening	Beschrijving
2000/14/EG	"betreffende geluid buitenshuis"
2011/65/EU	"beperking van het gebruik van bepaalde gevaarlijke stoffen"

Toegepaste geharmoniseerde normen en/of technische specificaties zijn als volgt: EN ISO 12100, EN ISO 11681-1, CISPR 12, ISO 14982

In overeenstemming met richtlijn 2000/14/EG, bijlage V, staan de verklaarde geluidswaarden vermeld in de sectie met technische gegevens van deze handleiding en in de ondertekende EU-verklaring van overeenstemming.

TÜV Rheinland LGA Products GmbH, aangemelde instantie voor machines (kennisgeving geschied onder 0197), Tillystraße 2, 90431 Nürnberg, Duitsland, heeft een EG-typeonderzoek verricht volgens 2006/42/EG, artikel 12, punt 3b.

Het certificaat van de typekeuring, overeenkomstig bijlage IX en zoals bepaald in de ondertekende

verklaring van overeenstemming, is van toepassing op alle productielocaties en landen van herkomst, zoals vermeld op het product.

Deze kettingzaag is conform het exemplaar dat een EG-typeonderzoek heeft ondergaan.

Innehåll

INTRODUKTION.....	99	TRANSPORT.....	109
SÄKERHET.....	100	FÖRVARING.....	109
MONTERING.....	104	TEKNISKA DATA.....	109
ANVÄNDNING.....	104	TILLBEHÖR.....	110
UNDERHÅLL.....	106	INNEHÅLLET I EG-FÖRSÅKRAN OM ÖVERENSSTÄMMELSE.....	111

INTRODUKTION

Bruksanvisning

Det ursprungliga språket i denna bruksanvisning är engelska. Bruksanvisningar på andra språk är översättningar från engelska.

Översikt

(Fig. 1.)

1. Cylinderkåpa
2. Bränslepump
3. Produkt- och serienummerskytt
4. Informations- och varningsdekal
5. Stoppkontakt
6. Bakre handtag
7. Bränsletank
8. Startsnörets handtag
9. Startapparatus
10. Fällriktmärke
11. Kedjeoljetank
12. Främre handtag
13. Kedjebroms med kastskydd
14. Ljuddämpare
15. Sägkedja
16. Noshjul
17. Svärd
18. Sägkedjesträckarskruv (130)
19. Sägkedjesträckarskruv (135 Mark II)
20. Barkstöd
21. Kedjefångare
22. Kopplingskåpa
23. Högerhandsskydd
24. Gasreglage
25. Dödmansgrepp
26. Svärdsskydd
27. Kombinationsverktyg
28. Bruksanvisning

Symboler på produkten

(Fig. 2.) Varning

(Fig. 3.) Läs den här bruksanvisningen

(Fig. 4.) Använd godkända hörselskydd, hörselskydd och ögonskydd

(Fig. 5.) Använd godkända skyddshandskar

(Fig. 6.) Produkten följer gällande EG-direktiv

(Fig. 7.) Ljudeffektnivå

(Fig. 8.) Kedjebroms, ej aktiverad (vänster).
Kedjebroms, aktiverad (höger) ().

(Fig. 9.) Chokereglage

(Fig. 10.) Bränslepump

(Fig. 11.) Bränslepåfyllning

(Fig. 12.) Kedjeoljelock.

(Fig. 13.) Produkten överensstämmer med gällande EAC-direktiv ().

(Fig. 14.) Produkten överensstämmer med gällande ukrainska direktiv ().

(Fig. 15.) Produkten överensstämmer med gällande koreanska direktiv ().

(Fig. 16.) Produkten överensstämmer med gällande koreanska direktiv ().

(Fig. 17.) Ljudnivå

(Fig. 18.) Håll motorsågen i ett fast grepp med båda händerna ().

(Fig. 19.) Använd den inte hållen i bara en hand ().

(Fig. 20.) Undvik att sätta noshjulet i kontakt ().

(Fig. 21.) Tänk på kastrisken

(Fig. 22.) Denna produkt överensstämmer med gällande direktiv i Australien och Nya

Zeeland angående elektromagnetisk kompatibilitet ().

Notera: Övriga symboler/dekaler på produkten avser specifika krav för certifieringar på andra kommersiella marknader.

Proposition 65

(Fig. 23.)

EU V



WARNING: Manipulering av motorn upphäver EG-typgodkännandet för den här produkten.

Produktansvar

Enligt lagstiftningen för produktansvar ansvarar vi inte för skador som vår produkt orsakar om:

- produkten repareras felaktigt.
- produkten repareras med delar som inte kommer från tillverkaren eller inte har godkänts av tillverkaren.
- produkten har ett tillbehör som inte kommer från tillverkaren eller inte har godkänts av tillverkaren.
- produkten inte repareras vid ett godkänt servicecenter eller av en godkänd person.

SÄKERHET

Säkerhetsdefinitioner

Definitionerna nedan beskriver allvarlighetsgraden för varje signalord.



WARNING: Personskador.



OBSERVERA: Skador på produkten.

Notera: Denna information gör produkten lättare att använda.

Allmänna säkerhetsanvisningar

- Använd produkten på rätt sätt. Skador eller dödsfall är ett möjligt resultat av felaktig användning. Använd endast produkten för arbetsuppgifterna som finns i denna bruksanvisning. Använd inte produkten till andra uppgifter.
- Läs, förstå och följ instruktionerna i denna handbok. Följ säkerhetsymbolerna och säkerhetsinstruktionerna. Om användaren inte följer instruktionerna och symbolerna är skador eller dödsfall ett möjligt resultat.
- Spara den här bruksanvisningen. Använd instruktionerna för att sätta ihop, använda och förvara din produkt i gott skick. Använd instruktionerna för korrekt installation av tillbehör och extrautrustning. Använd endast godkända tillbehör och extrautrustning.

- Använd inte en skadad produkt. Följ underhållsschemat. Utför endast det underhållsarbete som du hittar instruktioner om i den här bruksanvisningen. Godkända servicecenter måste göra allt annat underhållsarbete.
- Den här bruksanvisningen kan inte inkludera alla situationer som kan uppstå när du använder produkten. Var försiktig och använd sunt förnuft. Använd inte produkten eller utför underhåll på produkten om du inte är trygg med situationen. Tala med en produktxpert, din återförsäljare, din serviceverkstad eller ett godkänt servicecenter för att få information.
- Koppla ur tändstiftskabeln innan du monterar produkten, ställer undan produkten för förvaring eller utför underhåll.
- Använd inte produkten om den ändras från dess första specifikation. Byt inte ut en del av produkten utan tillverkarens godkännande. Använd endast reservdelar som godkänts av tillverkaren. Skador eller dödsfall är ett möjligt resultat av felaktigt underhåll.
- Undvik att andas in rök från motorn. Inandning av motorns avgaser, kedjeoljedimma och sågspån under en längre period kan vara skadligt för hälsan.
- Starta inte produkten inomhus eller nära brandfarligt material. Avgaserna är heta och kan medföra gnistor som kan orsaka brand. Otillräckligt friskluftsflöde kan orsaka skador eller dödsfall på grund av kvävning eller kolmonoxidförgiftning.
- Denna produkt alstrar ett elektromagnetiskt fält under drift. Det elektromagnetiska fältet kan orsaka skador på medicinska implantat. Tala med din läkare och tillverkaren av eventuella medicinska implantat innan du använder produkten.
- Låt inte barn använda produkten.

- Låt inte en person utan kännedom om instruktionerna använda produkten.
- Övervaka alltid en person med nedsatt fysisk eller mental kapacitet som använder produkten. En vuxen person måste vara närvarande hela tiden.
- Läs in produkten på en plats där barn och obehöriga personer inte har åtkomst.
- Produkten kan skjuta ut föremål och orsaka skador. Följ säkerhetsinstruktionerna för att minska risken för personskador eller dödsfall.
- Lämna inte produkten när motorn är på. Stäng av motorn och se till att kedjan inte snurrar.
- Användaren av produkten är ansvarig om en olycka inträffar.
- Kontrollera att delarna inte är skadade innan du använder produkten.
- Följ nationella eller lokala lagar. De kan förhindra eller minska produktens funktion under vissa förhållanden.

Säkerhetsinstruktioner för drift

- Kontinuerlig eller återkommande drift av produkten kan orsaka "vita fingrar" eller motsvarande medicinska problem av vibrationer. Undersök dina händer och fingrar om du använder produkten kontinuerligt eller regelbundet. Om fingrar och händer har missfärgning har smärta, rysning längs ryggraden varje gång någon nämner häckklippning, eller är numb, avbryta arbetet och tala med en läkare omedelbart.
- Kontrollera att produkten är helt monterad innan du använder den.
- Produkten kan orsaka att föremål skjuts ut, vilket kan orsaka skador på ögonen. Använd alltid godkänt ögonskydd när du använder produkten.
- Var försiktig, ett barn kan närma sig produkten utan din vetskap under användningen.
- Använd inte produkten om det finns personer i arbetsområdet. Stoppa produkten om en person går in i arbetsområdet.

(Fig. 24.)

- Se till att du alltid har kontroll över produkten.
- Motorsågen måste hållas med båda händerna vid användning. Använd inte produkten hållen i bara en hand. Användaren, annan personal, människor runt omkring eller flera av dessa kan skadas allvarligt om produkten används hållen i bara en hand.
- Håll det främre handtaget med vänster hand och det bakre handtaget med höger hand. Håll produkten på höger sida av kroppen.

(Fig. 25.)

- Använd aldrig produkten om du är trött, sjuk eller påverkad av alkohol, droger eller läkemedel.
- Använd inte produkten om du inte kan få hjälp om en olycka inträffar. Medvetande som du kommer att använda produkten innan du startar produkten.

- Vänd dig inte om med sågen innan du kontrollerat att inga människor eller djur finns i säkerhetsområdet.
- Ta bort allt oönskat material från arbetsområdet innan du börjar. Om sågkedjan träffar ett objekt kan objektet skjutas iväg och orsaka personskada eller annan skada. Oönskat material kan lindas runt sågkedjan och orsaka skador.
- Använd inte produkten i dåligt väder såsom dimma, regn, hård vind, vid risk för åska eller andra väderförhållanden. Riskabla förutsättningar såsom hala underlag kan uppstå på grund av dåligt väder.
- Se till att du kan röra dig fritt och arbeta i en stabil position.
- Se till att du inte kan falla när du använder produkten. Luta dig inte när du använder produkten.
- Håll alltid produkten med båda händerna. Håll det främre handtaget med vänster hand och det bakre handtaget med höger hand. Håll produkten på höger sida av kroppen ().
- Om chokereglaget är i chokeläge när motorn startar, aktiveras sågkedjan.
- Stanna motorn innan du flyttar produkten.
- Lägg inte ned produkten om motorn är på.
- Stanna motorn innan du tar bort oönskat material från produkten. Låt skärutrustningen stanna innan du avlägsnar skärmaterialet.
- Använd inte produkten uppe i ett träd (). Att använda produkten uppe i ett träd kan leda till personskador.

(Fig. 26.)

- Kedjebromsen skall vara tillslagen när produkten startas, för att minska risken att sågkedjan träffar dig vid start.

(Fig. 27.)

- Undvik backslag, skateboardkarriär, studsa och tappa, vilket kan resultera i allvarliga personskador.
- Följ alla säkerhetsföreskrifter för att förhindra kast, glidning, studsning och släppning, vilket kan resultera i allvarliga personskador.
- Justera sågkedjespänningen regelbundet för att se till att kedjan är riktigt spänd. EN slak sågkedja kan hoppa av och orsaka allvarliga personskador eller dödsfall.
- Fäll inte träd med felaktiga metoder. Detta kan orsaka personskador, att en kraftledning träffas eller orsaka annan skada på egendom.
- Motorsågsanvändaren ska hålla sig i uppsidan av en sluttning eftersom trädet kan komma att rulla eller glida ner när det har fällt.

(Fig. 28.)

- Planera vilken reträttväg du kan använda innan fällningen börjar. Escape sökväg bör gå tillbaka och diagonalt bakåt av den förväntade raden på hösten.

(Fig. 29.)

- Stanna alltid motorn innan du flyttar sågen mellan träden.
- Se till att du står stadigt med fötterna på marken och med jämn viktfordelning.

(Fig. 30.)

- Se till att du står stadigt med fötterna på marken och med jämn viktfordelning. Hala eller instabila ytor, t.ex. stegar, kan få dig att tappa balansen eller kontrollen.

(Fig. 31.)

Kast, glidning, studsning och släppning

Olika krafter äventyra din säkra kontroll över produkten.

- **Glidning** är när svärdet rör sig snabbt sidledes i träet.
- **Studsning** är när svärdet lyfter från träet och vidrör den om och om igen.
- **Släppning** är när produkten faller nedåt efter att sågsnittet går igenom träet. Detta kan göra att sågkedjan kommer i kontakt med en kroppsdel eller ett föremål och orsaka personskador eller andra skador.
- **Kast** är när noshjulet kommer i kontakt med objekt och plötsligt kastas bakåt, uppåt eller framåt. Kast inträffar även när träet sluter sig och nyper fast sågkedjan under sågning. Om produkten kommer i kontakt med ett föremål i träet kan det hända att du tappar kontrollen ().

(Fig. 32.)

- **Roterande kast** kan inträffa när den sågkedjan kommer i kontakt med ett föremål vid noshjulet. Detta kan leda till att kedjan gräver sig ned i objektet och att kedjan omedelbart stoppas. Resultatet blir en mycket snabb, omvänd reaktion som kastar svärdet uppåt och bakåt i riktning mot användaren (och).
- **Klämkast** kan inträffa när sågkedjan plötsligt stoppas under sågningen. Träet sluter till och nyper fast sågkedjan längs noshjulet. Kedjans plötsliga stopp reverserar kedjans kraft och gör att produkten rör sig i motsatt riktning av kedjan. Produkten rör sig bakåt i riktning mot användaren ().
- **Indragning** kan inträffa när sågkedjan plötsligt stoppas när den kommer i kontakt med ett föremål i träet längs svärdets undersida. Det plötsliga stoppet drar produkten framåt och bort från användaren vilket kan göra att användaren tappar kontrollen över produkten ().

(Fig. 35.)

Säkerställ att du förstår hur alla dessa krafter verkar och hur du undviker dem innan du använder produkten. Se *Att förhindra kast, glidning, studsning och släppning på sida 102.*

Att förhindra kast, glidning, studsning och släppning

- Se till att hålla produkten stadigt när motorn är igång. Håll högra handen i det bakre handtaget och vänstra

- handen i det främre handtaget. Greppa hårt med tummarna och fingrarna runt handtagen. Släpp inte.
- Håll kontroll över produkten under sågning och efter att trädet fallit till marken. Låt inte motorsågens vikt göra att den faller ned när sågsnittet är klart.
- Se till att området där du ska såga är fritt från hinder. Låt inte noshjulet vidröra en trädstam, gren eller annat hinder medan du använder produkten ().
- (Fig. 36.)
- Såga med högt varvtal.
- Sträck dig inte för långt och såga inte över axelhöjd ().
- (Fig. 37.)
- Följ tillverkarens instruktioner för slipning och underhåll av sågkedjan.
- Vid byte, använd endast de svärd och sågkedjor som specificeras av tillverkaren.
- För stor underställning ökar sågkedjans kastbenägenhet.

Personlig skyddsutrustning

- Använd alltid korrekt personlig skyddsutrustning när du använder produkten. Personlig skyddsutrustning minskar graden av skada om en olycka inträffar, men förhindrar den inte.
- Använd inte löst sittande kläder som kan fångas upp av sågkedjan.
- Använd en godkänd skyddshjälm.
- Använd alltid godkänd hörselskydd när du använder produkten. Buller under en längre period kan leda till hörselnedsättning.
- Använd skyddsglasögon eller ansiktsvisir för att minska risken för skador från flygande föremål. Produkten kan flytta föremål som sågspån och små trästycken med stor kraft. Detta kan orsaka allvarlig skada, även på ögonen.
- Använd skyddshandskar för motorsågning.
- Använd byxor med skydd för motorsågning.
- Använd stövlar med skydd för motorsågning, stålhätta och halkfria sulor.
- Se till att du har första hjälpen i närheten.
- Det kan komma gnistor ur ljuddämparen, svärdet och kedjan eller annan källa. Ha alltid verktyg för brandsläckning och en spade till hands för att förhindra skogsbränder.

Säkerhetsanordningar på produkten

- Använd inte en produkt med skadad skyddsutrustning. Om produkten är skadad bör du tala med ett godkänt servicecenter.

Kontroll av stoppkontakten

1. Starta motorn. Se *Innan du startar motorn på sida 105.*
2. Kontrollera att motorn stängs av när stoppreglaget flyttas till stoppläget.

Kontroll av gasreglagespärren

1. Se till att gasreglaget (B) är låst på tomgång när du släpper gasreglagespärren (A) (Fig. 38.).
2. Tryck på gasreglagespärren (A) och kontrollera att den går tillbaka till sitt ursprungliga läge när du släpper den.
3. Tryck på gasreglaget (B) och kontrollera att det går tillbaka till sitt ursprungliga läge när du släpper det.
4. Starta motorn och ge sedan fullgas.
5. Släpp gasreglaget och kontrollera om sägkedjan stannar.
6. Om sägkedjan roterar med gasreglaget i tomgångsläge undersöker du tomgångsjusterskruven på förgasaren.

Skydd

Skyddet förhindrar att objekt slungas ut i riktning mot användaren. Skyddet förhindrar oavsiktlig kontakt mellan användaren och sägkedjan.

- Se till att skyddet är tillåtet för användning i kombination med produkten.
- Använd inte produkten utan skyddet.
- Se till att skyddet inte är skadat. Byt ut skyddet om det är slitet eller skadat.

Bränslesäkerhet

- Starta inte produkten om det finns bränsle eller motorolja på produkten. Ta bort det oönskade bränslet/oljan och låt produkten torka. Ta bort oönskat bränsle från produkten.
- Om du spillt bränsle på kläderna skall dessa bytas omedelbart.
- Se till att inte få bränsle på kroppen, det kan orsaka personskador. Om du får bränsle på kroppen använder du tvål och vatten för att ta bort bränslet.
- Starta inte motorn om du spiller olja eller bränsle på produkten eller på kroppen.
- Starta inte produkten om motorn har en läcka. Undersök regelbundet om motorn läcker.
- Var försiktig med bränsle. Bränsle är brandfarligt och ångorna är explosiva och kan orsaka skador eller dödsfall.
- Undvik att andas in bränsleångor då det kan orsaka personskador. Se till att det finns tillräckligt luftflöde.
- Rök inte i närheten av bränslet eller motorn.
- Placera inga varma föremål i närheten av bränslet eller motorn.
- Fyll inte på bränsle när motorn är på.
- Se till att motorn har svalnat innan du fyller på bränsle.
- Innan du fyller på bränsle bör du öppna bränsletanklocket långsamt och försiktigt släppa på trycket.
- Fyll inte på bränsle i motorn inomhus. Otillräckligt luftflöde kan orsaka skador eller dödsfall på grund av kvävning eller kolmonoxidförgiftning.

- Dra åt tanklocket försiktigt, annars kan brand uppstå.
- Flytta produkten minst 3 m från den plats där du fyllde på tanken innan du startar den.
- Fyll inte på med för mycket bränsle i bränsletanken.
- Kontrollera att läckage inte kan uppstå när du flyttar produkten eller bränslebehållaren.
- Placera inte produkten eller bränslebehållaren där det finns öppen eld, gnistor eller tändlagor. Se till att det inte finns någon öppen eld i förvaringsutrymmet.
- Använd endast godkända behållare när du flyttar bränslet eller ställer undan bränslet för förvaring.
- Töm bränsletanken före långtidsförvaring. Följ lokala lagar om var du kan kasta bränsle.
- Rengör produkten före långtidsförvaring.
- Ta bort tändstiftskabeln innan du ställer undan produkten för förvaring så att motorn inte oavsiktligt startar.

Säkerhetsinstruktioner för underhåll

- Koppla från tändstiftet innan du utför underhåll på produkten, förutom vid justering av förgasaren.
- Låt en auktoriserad återförsäljare utföra all service förutom åtgärderna i *UNDERHÅLL på sida 106*.
- Kontrollera att sägkedjan stannar när gasreglaget släpps.
- Håll handtagen torra, rena och fria från olja och bränsleblandning.
- Se till att lock och fästskruvar är ordentligt åtdragna.
- Ej godkända ersättningskomponenter eller borttagning av säkerhetsanordningar kan orsaka skador på produkten. Detta kan också orsaka allvariga skador på användaren eller människor runt omkring. Använd endast rekommenderade tillbehör och reservdelar. Modifiera inte produkten.
- För säker och hög prestanda, se till att sägkedjan alltid är skarpslipad och ren.
- Följ instruktionerna för smörjning och byte av tillbehör.
- Kontrollera om det finns några skadade delar på produkten. Se till att skadade skydd eller delar fungerar korrekt innan produkten åter tas i bruk. Kontrollera om det finns skadade eller feljusterade delar eller delar som inte kan röra sig som de ska. Kontrollera om det finns några andra förhållanden som kan påverka motorsägens funktion. Se till att produkten är korrekt monterad. Skydd eller andra skadade delar ska repareras eller bytas ut av en auktoriserad återförsäljare såvida annat meddelas i bruksanvisningen.
- Förvara produkten på en torr, hög plats eller i ett låst utrymme oåtkomligt för barn när den inte används.
- Under transport eller förvaring av produkten ska den vara försedd med svärdsskydd eller ligga innesluten.
- Använd aldrig spillolja. Spillolja är skadlig för dig och kan orsaka skador på produkten och miljön.

MONTERING



VARNING: Läs och förstå säkerhetskapitlet innan du monterar produkten.

Montering av svärd och sågkedja

1. Ta bort tändhatten från tändstiftet under monteringen för att förhindra en oavsiktlig start. (Fig. 39.) (Fig. 40.)
2. Ta loss svärdsmuttrarna och kopplingskåpan. Ta bort transportskyddet (A). (Fig. 41.)
3. Montera svärdet över svärdsbultarna. Placera svärdet i sitt bakersta läge.
4. Ta på skyddshandskar.
5. Placera kedjan över kedjedrivhjulet och i svärdsspåret. Börja på svärdets ovansida. (Fig. 42.)
6. Kontrollera att skäränkarnas egg är riktade framåt på ovansidan av svärdet.
7. Montera kopplingskåpan och för in kedjespännartappen i svärdets urtag.
8. Kontrollera att kedjans drivlänkar passar på kedjedrivhjulet. Kontrollera även att kedjan ligger rätt i svärdsspåret.
9. Dra åt svärdsmuttrarna med fingrarna.
10. Spänn kedjan genom att med hjälp av kombinyckeln skruva kedjespännarskruven medurs. Kedjan skall spännas tills den inte hänger slak på svärdets undersida men fortfarande kan dras lätt för hand. (Fig. 43.) och (Fig. 44.)
11. Dra fast svärdsmuttrarna med kombinyckeln samtidigt som svärdsspetsen hålls upp. (Fig. 45.)
 - På en ny kedja måste kedjespänningen kontrolleras ofta tills kedjan är inkörd.
 - Kontrollera kedjespänningen regelbundet. Korrekt kedjespänning ger god prestanda och lång livslängd.

ANVÄNDNING



VARNING: Läs och förstå säkerhetskapitlet innan du använder produkten.

Så använder du bränsle



OBSERVERA: Denna produkt har en tvåtaktsmotor. Använd en blandning av bensin och tvåtaktsmotorolja. Se till att använda rätt mängd olja i blandningen. Ett felaktigt blandningsförhållande av bensin och olja kan skada motorn.

Bränsleblandning

Blandningsförhållande för bensin och tvåtakts motorolja är 50:1 (2 %)

Bensin	Tvåtaktsmotorolja
3,79 liter	77 ml
4,55 liter	95 ml
5 l	100 ml

Så gör du bränsleblandningen

1. Beräkna den korrekta kvantiteten av bensin och motorolja (blandningsförhållande 50:1). Blanda inte mer bränsleblandning än för 30 dagar. Se *Bränsleblandning på sida 104*.
2. Fyll på med häften av bensinkvantiteten i en ren bränslebehållare med antispillventil.



OBSERVERA: Använd inte bensin med mer än 10 % etanol (E10). Det kan orsaka skador på produkten.



OBSERVERA: Använd inte bensin med ett oktantal lägre än 90 RON (87 AKI). Det kan orsaka skador på produkten.

Notera: Använd bensin med ett högre oktantal om du ofta använder produkten vid kontinuerligt högt motorvarvtal.

3. Fyll på hela kvantiteten av tvåtakts motorolja i bränslebehållaren.



OBSERVERA: Använd alltid motorolja av hög kvalitet som är avsedd för luftkylda tvåtaktsmotorer. Andra oljor kan orsaka skador på produkten.

4. Skaka bränsleblandningen så att innehållet blandas.
5. Fyll på bränslebehållaren med den återstående kvantiteten bensin.
6. Skaka bränsleblandningen så att innehållet blandas.
7. Fyll sågens bränsletank med bränsleblandningen. Se *Bränsleblandning på sida 104*.

Påfyllning av bränsletanken

1. Se till att bränsleblandningen är den korrekta och att den förvaras i en bränslebehållare med antispillventil.

- Om det kommer bränsle på behållaren tar du bort det och låter behållaren torka.
- Se till att området i närheten av bränsletanklocket är rent.
- Ta bort bränsletanklocket. (Fig. 46.)
- Skaka bränslebehållaren innan du tillsätter bränsleblandningen i bränsletanken.
- Sätt tillbaka bränsletanklocket.

Smörjning av sågkedjan

Produkten har ett automatiskt smörjsystem. Var noga med att använda rätt kedjeolja och följ anvisningarna.

- Använd vegetabilisk sågkedjeolja eller en vanlig sågkedjeolja.
- Se till att området runt locket till sågkedjeoljetanken är rent.
- Ta bort locket från sågkedjeoljetanken ().
- Fyll sågkedjeoljetanken med rekommenderad sågkedjeolja.
- Sätt tillbaka locket på sågkedjeoljetanken.

Innan du startar motorn

- Genomsök produkten efter saknade, skadade, lösa eller slitna delar.
- Undersök muttrar, skruvar och bultar.
- Undersök luftfiltret.
- Undersök gasreglagets läsnings och om gasreglaget fungerar korrekt.
- Undersök om stoppreglaget fungerar korrekt.
- Genomsök produkten efter bränsleläckor.
- Undersök om sågkedjan är skärpt och spänd.

Starta kall motor

- För kastskyddet framåt för att aktivera kedjebromsen. (Fig. 47.)
- Dra chokereglaget utåt och uppåt.
- Tryck på bränsleblåsan 6 gånger. (Fig. 48.)
- Håll motorkroppen på marken med vänster hand. Kliv inte på produkten. Dra i startsnörets handtag långsamt tills du känner ett motstånd. Dra sedan startsnörets handtag med mer kraft. (Fig. 49.)

Notera: Dra inte i gasreglaget när du startar motorn.

- Fortsätt dra i startsnörets handtag tills motorn startar eller försöker starta (max. tre drag). Om motorn startar eller försöker att starta trycker du ned chokereglaget. (Fig. 50.)



OBSERVERA: Dra inte i startsnöret förrän det tar stopp. Släpp inte startsnöret när det är fullt utdraget. Släpp långsamt startsnöret. Underlåtenhet att följa dessa instruktioner kan orsaka skada på motorn.

- Fortsätt dra tills motorn startar. Vänta 60 sekunder efter start innan du drar i gasreglaget.
- Dra kastskyddet tillbaka i riktning mot det främre handtaget för att koppla ur kedjebromsen.
- Håll det bakre handtaget med höger hand och det främre handtaget med vänster hand.
- Använda motorsågen.

Så startar du en varm motor

- För kastskyddet framåt för att aktivera kedjebromsen. (Fig. 51.)
- Dra chokereglaget utåt och uppåt.
- Tryck på bränsleblåsan 6 gånger. (Fig. 52.)
- Tryck ned chokereglaget. (Fig. 53.)
- Håll motorkroppen på marken med vänster hand. Kliv inte på produkten. Dra i startsnörets handtag långsamt tills du känner ett motstånd. Dra sedan startsnörets handtag med mer kraft. (Fig. 54.)



OBSERVERA: Dra inte i startsnöret förrän det har stoppats. Släpp inte startsnöret när det är fullt utdraget. Släpp långsamt startsnöret. Följ dessa anvisningar för att förhindra skador på motorn.

Notera: Dra inte i gasreglaget när du startar motorn.

- Fortsätt dra i startsnörets handtag tills motorn startar eller försöker starta (max. tre drag). Vänta 60 sekunder efter start innan du drar i gasreglaget.
- Dra kastskyddet bakåt i riktning mot det främre handtaget för att koppla ur kedjebromsen.
- Håll det bakre handtaget med höger hand och det främre handtaget med vänster hand.
- Använda motorsågen.

Start av motorn när bränslet är för varmt

Om motorsågen inte startar kan det bero på att bränslet är för varmt.

Notera: Använd alltid nytt bränsle och minska drifttiden i varmt väder.

- Placera sågen på en sval plats i skugga.
- Låt sågen svalna i minst 20 minuter.
- Tryck på bränsleblåsan om och om igen i 10-15 sekunder.
- Följ proceduren för start av kall motor. Se *Starta kall motor på sida 105*.

Stoppa

- Tryck ned stoppreglaget för att stoppa motorn.

Notera: Stoppreglaget återgår automatiskt till ursprungsläget.

Använda barkstöd

Barkstödet förhindrar kast och håller fast träet du sågar. Barkstödet är en svängpunkt mellan motorkropp och svärd.

1. Placera den nedre änden av barkstödet vid rätt brytmånsbredd.
2. Tryck med vänster hand mot det främre handtaget medan du lyfter det bakre handtaget med höger hand.
3. Såga tills du får rätt brytmånsbredd.

Notera: Brytmånen måste ha samma tjocklek hela vägen.

4. Såga till mer än hälften av diametern och sätt sedan i fällkilen i sågsnittet.

Fälla träd

1. Ta bort smuts, stenar, lös bark, spikar, häftklamrar och kablar från trädet där skäret ska göras.
2. Såga ett övre riktskär till 1/3 av trädets diameter, vinkelrätt mot fallriktningen (). (Fig. 55.)
3. Såga ett nedre, horisontellt riktskär. Detta minskar risken för att sågkedjan eller svärdet kläms fast när det andra skäret görs.
4. Såga fällskäret (X) minst 50 mm (2 tum) högre än det horisontella riktskåret. Se till att fällskåret görs parallellt med det horisontella riktskåret så att tillräckligt med trä kan bilda brytmån när trädet faller. Såga inte igenom denna brytmån. Brytmånen av trä förhindrar att trädet vrids och faller i fel riktning. (Fig. 56.) och (Fig. 57.)
5. När fällskäret närmar sig brytmånen börjar trädet falla. Försäkra dig om att trädet faller i rätt riktning

och inte tippas bakåt och klämmer fast sågkedjan. Stoppa sågningen innan fällskäret når igenom för att förhindra detta. Använd kilar av trä, plast eller aluminium för att sära fällskäret och låta trädet falla i den avsedda riktningen. (Fig. 58.)

6. Ta bort sågen ur skäret när trädet börjar falla. Stäng av motorn, ställ ned motorsågen och retirera som planerat. Se upp med grenar som kan falla uppifrån och se till att ha bra fotfäste. (Fig. 59.)

Kvista ett träd

1. Använd större grenar som stöd för att hålla stocken ovanför marken.
2. Kapa små kvistar med ett snitt (). (Fig. 60.)
3. Kapa grenar som ligger i spänn underifrån för att undvika att sågkedjan eller svärdet kläms fast.

Kapa en stock



OBSERVERA: Låt inte sågkedjan komma i kontakt med marken.

- Om stocken har stöd längs hela dess längd, kapa ovanifrån stocken (med dragande kedja). (Fig. 61.)
- Om stocken har stöd i ena änden kapar du först 1/3 av diametern underifrån stocken (med skjutande kedja).
- Om stocken har stöd i båda ändar, kapa 1/3 av diametern ovanifrån. Slutför kapningen underifrån genom de återstående 2/3 av stocken till det första skäret. (Fig. 62.)
- Om stocken ligger i en sluttning ska du alltid se till att stå ovanför stocken i sluttningen. Håll noggrann kontroll över motorsågen när du kapar stocken. Släpp kaptrycket på sågen nära slutet av skäret och håll hårt i bakre och främre handtaget. (Fig. 63.)

UNDERHÅLL



WARNING: Läs och förstå säkerhetskapitlet innan du rengör, reparerar eller utför underhåll på produkten.

Underhållsschema

Se till att du följer underhållsschemat. Intervallen beräknas utifrån daglig användning av produkten. Intervallen är annorlunda om du inte använder produkten varje dag. Utför endast det underhållsarbete som finns i den här bruksanvisningen. Tala med ett godkänt servicecenter om andra underhållsarbeten som inte finns i den här bruksanvisningen.

Dagligt underhåll

- Rengör utvändiga ytor.

- Kontrollera att gasreglagespärren och gasreglaget fungerar korrekt.
- Rengör kedjebromsen och se till att den fungerar korrekt.
- Inspektera om kedjefångaren har skador. Byt kedjefångaren om den är skadad ().
- Vänd svärdet dagligen så att slitaget blir jämnare.
- Kontrollera att smörjhållet på svärdet inte är tilltäppt ().
- Ta bort sågspän och annat oönskat material under kopplingskåpan.
- Rengör kedjespåret (). (Fig. 64.)
- Se till att svärdet och kedjan får tillräckligt med olja.
- Undersök om sågkedjan

- har sprickor i nitar och länkar,
- har ojämnt slitna nitar och länkar,
- har korrekt spänning,
- har grader på kedjans drivlänkar.

Om så krävs, byt ut kedjan.

- Skärp sågkedjan. Se *Slipa sågkedjan på sida 108*.
- Kontrollera att kedjedrivhjulet inte är onormalt slitet, byt om så krävs. (Fig. 65.)
- Rengör motorhusets luftintag.
- Se till att skruvar och muttrar är åtdragna.
- Kontrollera att strömbrytaren fungerar korrekt.

Underhåll varje vecka

- Kontrollera att kylsystemet fungerar korrekt.
- Kontrollera att startanordningen, startsnöret och returfjädern fungerar korrekt.
- Kontrollera att vibrationsisolatorerna inte är skadade.

(Fig. 66.)

- Fila bort alla grader på svärdets kanter.
- Rengör eller byt ljuddämparens gnistskydd.

(Fig. 67.)

- Rengör utvändiga ytor på förgasaren och dess angränsande områden.
- Rengör luftfiltret. Installera ett nytt luftfilter om det är skadat eller mycket smutsiga som ska rengöras helt. För mer information, se *Rengöring av luftfiltret på sida 107*.

Underhåll varje månad

- Kontrollera bromsbandet på kedjebromsen med avseende på slitage. Byt när bromsbandet när dess tjocklek är mindre än 0,6 mm (0,024 tum) på det mest slitna stället ().

(Fig. 68.)

- Kontrollera om det finns slitage på kopplingscentrum, kopplingstrumman eller kopplingsfjädern ().
- Rengör tändstiftet. Kontrollera att elektroavståndet är korrekt ().

(Fig. 69.)

- Rengör utvändiga ytor på förgasaren och dess angränsande områden.
- Kontrollera bränsleluftret och bränsleslangen. Byt ut filtret vid behov.
- Töm bensintanken.
- Töm oljetanken.
- Undersök alla kablar och anslutningar.

Årligt underhåll

- Undersök tändstiftet.
- Rengör utvändiga ytor på förgasaren och dess angränsande områden.
- Rengör kylsystemet.

- Undersök gnistskyddet.
- Undersök bränslefiltret.
- Undersök bränsleslangen avseende skador.
- Undersök alla kablar och anslutningar.

Periodiskt underhåll

- Låt ett auktoriserat servicecenter reparera eller byta ut ljuddämparen efter 50 driftstimmar.
- Utför underhåll på tändstiftet när:
 - motorns effektivitet är låg.
 - motorn är svårstartad.
 - motorn inte går korrekt på tomgång.
- Kontrollera sågkedjesmörjningen vid varje tankningstillfälle. Se *Kontroll av sågkedjans smörjning på sida 108*.

Så justerar du tomgångsvarvtalet

Se till att luftfiltret är rent och att luftfilterkåpan sitter fast innan du justerar tomgångsvarvtalet.

1. Vrid tomgångsskruven, märkt med ett "T", medurs tills kedjan börjar rotera.
2. Vrid tomgångsskruven, märkt med ett "T", moturs tills kedjan slutar rotera.
3. Tomgångsvarvtalet ska vara lägre än det varvtal då sågkedjan börjar rotera. Tomgångsvarvtalet är korrekt när motorn arbetar jämnt i alla positioner.

Så utför du underhåll på gnistskyddet

- Använd en stålborste för att rengöra gnistskyddet. (Fig. 70.)

Underhåll av tändstiftet



OBSERVERA: Använd det rekommenderade tändstiftet. Se till att det nya är likadant som tillverkarens del. Ett felaktigt tändstift kan skada produkten.

1. Om motorn inte startar eller fungerar som den ska bör du kontrollera om tändstiftet har något främmande material. Om du vill minska risken för oönskat material på tändstiftets elektroder:
 - a) Se till att tomgångsvarvtalet är korrekt justerat.
 - b) Se till att bränsleblandningen är korrekt.
 - c) Se till att luftfiltret är rent.
2. Rengör tändstiftet om det är smutsigt. Kontrollera att elektroavståndet är korrekt ().(Fig. 71.)
3. Byt ut tändstiftet om det är nödvändigt.

Rengöring av luftfiltret

1. Tag bort luftfilterkåpan och luftfiltret. (Fig. 72.)
2. Rengör luftfiltret med hjälp av varmt tvålatten. Se till att luftfiltret är torrt innan du installerar det.

3. Byt ut luftfiltret om det är för smutsigt för att rengöra helt. Byt alltid ut ett skadat luftfilter.

Slipa sågkedjan

Skärlänk

Den sågande delen hos en sågkedja kallas skärlänk och består av en skärtand (A) och en underställningsklack (B). Avståndet i höjd mellan dessa avgör skärddjupet, underställningens inställning (C) ().

(Fig. 73.)

Vid skärpning av skärtand finns 5 mått att ta hänsyn till.

- Filningsvinkel

(Fig. 74.)

- Stötvinkel

(Fig. 75.)

- Filläge

(Fig. 76.)

- Rundfilens diameter ().

(Fig. 77.)

Skärpning av skärtand

Använd en rundfil och en filmall för skärpning av skärtänderna (). För information om rekommenderad fildiameter och mall för motorsågens installerade sågkedja, se *Sågkedjans filning och sågkedjekombinationer på sida 111*. (Fig. 78.)

1. Se till att kedjan har korrekt spänning. En kedja utan korrekt spänning rör sig sidledes och skärps inte korrekt.
2. Fila alla tänderna på ena sidan. Fila från skärtandens insida och minska trycket vid returrörelsen.
3. Vrid motorsågen till motsatt sida och fila skärtänderna.
4. Se till att fila så att alla tänder håller samma längd. Byt ut en sliten sågkedja när skärtandens längd minskat till 4 mm (5/32 tum).

Justera underställningen

Fila skärtänderna innan du ställer in underställningen. Se *Skärpning av skärtand på sida 108*. Vid filning av skärtanden (A) minskar underställningen (C). För att behålla maximal skärkapacitet måste underställningen (B) filas ned för att uppnå rekommenderad underställning. Se *Sågkedjans filning och sågkedjekombinationer på sida 111*, där du hittar rätt djupmått för din kedja.

(Fig. 79.)

(Fig. 80.)

Notera: Denna rekommendation förutsätter att skärtändernas längd inte filats ner onormalt.

Använd en flatfil och underställningsmall och justera underställningen.

1. Lägg mallen över sågkedjan. Information om användning av filmallen finns på förpackningen.
2. Använd flatfilen på ovasidan av underställningsklacken som sticker ut genom underställningsmallen. Underställningen är korrekt då inget motstånd känns när du drar filen över mallen.

Spänna sågkedjan

Notera: På en ny kedja måste kedjespänningen kontrolleras ofta tills kedjan är inkörd.

1. Lossa svärdsmuttrarna som håller fast drevhuset. Använd kombinyckeln. (Fig. 81.)
2. Dra sedan åt svärdsmuttrarna för hand så hårt du kan.
3. Lyft upp på svärdets spets och spänn sågkedjan genom att skriva kedjespännarskraven. Använd kombinyckeln. Spänn sågkedjan ända tills den inte hänger slak på svärdets undersida (). (Fig. 82.)
4. Dra åt svärdsmuttrarna med kombinyckeln och lyft samtidigt svärdsspetsen (). (Fig. 83.)
5. Kontrollera att du kan dra runt kedjan för hand och att den inte hänger ned (). (Fig. 84.)

Smörjning av skärutrustningen

Kontroll av sågkedjans smörjning

Kontrollera sågkedjesmörjningen vid varje tankningstillfälle.

1. Starta motorsågen och låt den gå med 3/4 varvtal. Peka svärdsspetsen mot en ljus färgad yta och håll den på cirka 20 cm (8 tum) avstånd.
2. Efter 1 minuts körning visas en oljerand på den ljusa ytan.
3. Om du inte kan se en oljerand efter 1 minut, ska svärdets oljekanal rengöras. Rengör spåret i kanten på svärdet. Se till att svärdets noshjul roterar fritt och att det inte finns något som blockerar smörjhålet. Rengör och smörj noshjulet.
4. Starta motorsågen och låt den gå med 3/4 varvtal. Peka svärdsspetsen mot en ljus färgad yta och håll den på cirka 20 cm (8 tum) avstånd.
5. Efter 1 minuts körning visas en oljerand på den ljusa ytan.
6. Om du inte kan se en oljerand efter 1 minut, kontakta en auktoriserad återförsäljare.

TRANSPORT

- Töm bränsle- och kedjeoljetanken innan transport. Kassera förbrukade vätskor på korrekt sätt.
- Svärdsskyddet ska vara på plats på svärdet under transport. Detta förhindrar att personer av misstag kommer i kontakt med den vassa kedjan. Även en stillastående sågkedja kan orsaka skada på dig eller andra personer om de kommer i kontakt med den vassa kedjan.
- Ta bort tändhatten från tändstiftet och aktivera kedjebromsen innan transport.
- Kontrollera att motorsågen inte kan röra sig under transport.

FÖRVARING

- Förvara alltid motorsågen på en säker plats när den inte används. Läckor och ångor från motorsågen kan komma i kontakt med gnistor, lågor från elektrisk utrustning, elektriska gräsklippare, reläer/strömbrytare, värmepannor och mycket annat.
- Förvara alltid bränsle i en godkänd behållare.
- Töm bränsle- och kedjeoljetanken när motorsågen inte ska användas under en längre tid. Kassera förbrukade vätskor på korrekt sätt.
- Under förvaring ska svärdsskyddet vara på plats på svärdet. Detta förhindrar att personer av misstag vidrör den vassa sågkedjan. Även en stillastående sågkedja kan orsaka skada på dig eller andra personer som kommer i kontakt med den vassa kedjan.
- Ta bort tändhatten från tändstiftet och aktivera kedjebromsen innan förvaring.

TEKNISKA DATA

	enhet	130 (H13038HV)	135 Mark II (H13038HV)
Motorspecifikationer			
Cylindervolym	cm ³	38	38
Tändstift	—	NGK BPMR 7A	NGK BPMR 7A
Elektroddgap	mm (tum)	0,5 (0,02)	0,5 (0,02)
Bränsletankvolym	cm ³	350	350
Tomgångsvarvtal	min ⁻¹	2 800–3 200	2 800–3 200
Effekt vid 9 000 varv/min ⁻¹	kW	1,5	1,6
Hållbarhetsperiod	h	125	125
Buller- och vibrationsdata			
Ekvivalent vibrationsnivå (ahv, ekv.) vänster handtag ³¹	m/s ²	3,72	3,72
Ekvivalent vibrationsnivå (ahv, ekv.) höger handtag ³²	m/s ²	5,5	5,5
Ljudeffektnivå, garanterad (L _{WA}) ³³	dB (A)	116	116

³¹ Ekvivalent vibrationsnivå beräknas som den tidsvägda totalenergin för vibrationsnivåer under olika arbetsförhållanden. Rapporterade data för ekvivalent vibrationsnivå har en typisk statistisk spridning (standardavvikelse) på 1,5 m/s².

³² Ekvivalent vibrationsnivå beräknas som den tidsvägda totalenergin för vibrationsnivåer under olika arbetsförhållanden. Rapporterade data för ekvivalent vibrationsnivå har en typisk statistisk spridning (standardavvikelse) på 1,5 m/s².

³³ Emission av buller till omgivningen uppmätt som ljudeffekt (L_{WA}).

	enhet	130 (H13038HV)	135 Mark II (H13038HV)
Ljudeffektnivå, uppmätt ³⁴	dB (A)	114	114
Ljudtrycksnivå vid användarens öra ³⁵	dB (A)	102	102
Produktens mått			
Vikt (exklusive skärutrustning)	kg	4,68 (10,3)	4,68 (10,3)
Oljetankvolym	cm ³	260	260
Bränsle-/smörjsystem			
Oljepumpkapacitet vid 9000 varv/min ⁻¹	ml/min	9	9
Typ av oljepump	—	Automatisk	Automatisk
Sågkedja och svärd			
Standardsvärdslängd	cm (tum)	35–40 (14–16)	35–40 (14–16)
Rekommenderad svärdslängd	cm (tum)	35–40 (14–16)	35–40 (14–16)
Effektiv såglängd	cm (tum)	33–38 (13–15)	33–38 (13–15)
Maximal sågkedjehastighet	m/s	22,3	22,3
Sågkedjedelning	mm (tum)	9,52 (3/8)	9,52 (3/8)
Tjocklek på drivlänkar (bredd)	mm (tum)	1,3 (0,050)	1,3 (0,050)
Typ av kedjedrivhjul	—	Kugghjul	Kugghjul
Antal kedjehjuluggar	—	6	6

TILLBEHÖR

Kombinationer av svärd och sågkedja

Svärd				Sågkedja	
Längd	Kedjedelning	Spårvidd	Max. nosradie	Typ	Antal drivlänkar
14 tum	3/8 tum	0,050 tum	7T	Husqvarna H37	52
16 tum				Husqvarna S93G	56

³⁴ Emission av buller till omgivningen uppmätt som ljudeffekt (L_{WA}).

³⁵ Ekvivalent ljudtrycksnivå beräknas som den tidsvägda totalenergin för olika ljudtrycksnivåer under olika arbetsförhållanden. Typisk statistisk spridning för ekvivalent ljudtrycksnivå är en standardavvikelse på 2,5 dB (A).

Sågkedjans filning och sågkedjekombinationer

Typ av kedja	Storlek, rundfil	Eggvinkel	Stötvinkel	Filningsvinkel	Inställning av underställning	Djupmått, artikelnr	Filmall, artikelnr
H37, S93G	5/32 tum 4,0 mm	80°	30°	0°	0,025/0,65	5056981-03	5052437-01

INNEHÅLLET I EG-FÖRSÄKRAN OM ÖVERENSSTÄMMELSE

Husqvarna AB, SE-561 82 Huskvarna, SVERIGE, försäkrar härmed på eget ansvar att den företrädda produkten:

Beskrivning	Bensindriven motorsåg
Varumärke	Husqvarna
Plattform/typ/modell	Plattform H13038HV, representerar modell 130, 135 Mark II
Parti	Serienummer daterade 2018 och framåt

tillämpligt på alla tillverkningsplatser och ursprungsländer, såsom anges på produkten.

Motorsågen överensstämmer med det exemplar som genomgick EG-typkontroll.

uppfyller alla krav i följande EU-direktiv och förordningar:

Direktiv/förordning	Beskrivning
2006/42/EG	"angående maskiner"
2014/30/EU	"angående elektromagnetisk kompatibilitet"
2000/14/EG	"angående buller utomhus"
2011/65/EU	"angående begränsning av användning av vissa farliga ämnen"

Följande harmoniserade standarder och/eller tekniska specifikationer tillämpas: EN ISO 12100, EN ISO 11681-1, CISPR 12, ISO 14982

I enlighet med direktiv 2000/14/EG, bilaga V finns ljudvärdena angivna i avsnittet tekniska data i denna handbok och i den undertecknade EU-försäkran om överensstämmelse.

TÜV Rheinland LGA Products GmbH, anmälda organ för maskineri (anmält under 0197), Tillystraße 2 – 90431 Nürnberg, Tyskland, genomförde en EG-typkontroll enligt 2006/42/EG, artikel 12, punkt 3b.

Typundersökningscertifikatet, som levereras med en undertecknad försäkran om överensstämmelse, är

INNHold

INNLEDNING.....	112	TRANSPORT.....	122
SIKKERHET.....	113	LAGRING.....	122
MONTERING.....	117	TEKNISKE DATA.....	122
DRIFT.....	117	TILBEHØR.....	124
VEDLIKEHOLD.....	119	INNHoldET I EF-SAMSVARERKLÆRINGEN.....	124

INNLEDNING

Bruksanvisning

Det originale språket i denne bruksanvisningen er engelsk. Bruksanvisninger på andre språk er oversettelser fra engelsk.

Oversikt

(Fig. 1)

1. Sylinderdeksel
2. Brennstoffpumpe
3. Produkt- og serienummerskilt
4. Informasjons- og advarselsetikett
5. Stoppbryter
6. Bakre håndtak
7. Brennstofftank
8. Håndtak på startsnoren
9. Startmotorhus
10. Fellingsretningsmerke
11. Kjedeeoljetank
12. Fremre håndtak
13. Kjedefrem med kastbeskyttelse
14. Lyddemper
15. Sagkjede
16. Nesehjul
17. Kjedestang
18. Kjedestrammerskrue (130)
19. Kjedestrammerskrue (135 Mark II)
20. Barkstøtte
21. Kjedefanger
22. Kopplingsdeksel
23. Høyrehåndsvern
24. Gassregulator
25. Gassregulatorspærre
26. Sverddeksel
27. Kombinasjonsverktøy
28. Bruksanvisning

Symboler på produktet

(Fig. 2) Advarsel

(Fig. 3) Les denne bruksanvisningen

Bruk godkjent hodebeskyttelse, hørselsvern og øyevern

(Fig. 4)
(Fig. 5) Bruk godkjente vernehansker

Dette produktet samsvarer med gjeldende EF-direktiver

(Fig. 6)
(Fig. 7) Lydeffektnivå

Kjedebrem, ikke aktivert (venstre).
(Fig. 8) Kjedefrem, aktivert (høyre)

(Fig. 9) Chokeregulator

(Fig. 10) Brennstoffpumpe

(Fig. 11) Drivstoffpåfylling

(Fig. 12) Påfylling av kjedeeolje.

Dette produktet samsvarer med gjeldende EAC-direktiver.

(Fig. 13)
(Fig. 14) Dette produktet samsvarer med gjeldende ukrainske direktiver.

Dette produktet samsvarer med gjeldende koreanske direktiver.

(Fig. 15)
(Fig. 16) Dette produktet samsvarer med gjeldende japanske direktiver.

(Fig. 17) Støynivå

(Fig. 18) Hold produktet fast med begge hender.

(Fig. 19) Ikke bruk bare én hånd.

(Fig. 20) Unngå kontakt med tuppen av sverdet.

(Fig. 21) Vær oppmerksom på kast

(Fig. 22) Dette produktet samsvarer med gjeldende direktiver angående elektromagnetisk kompatibilitet i Australia og New Zealand.

Merk: Øvrige symboler/klistremerker angitt på produktet gjelder sertifiseringskrav for andre markeder.

Proposition 65

(Fig. 23)

EU V



ADVARSEL: Tukling med motoren opphever EU-type-godkjenningen til dette produktet.

Produktansvar

Som nevnt i lovverket om produktansvar er vi ikke ansvarlig for skader som produktet vårt forårsaker, hvis

- produktet er reparert på feil måte
- produktet er reparert med deler som ikke kommer fra produsenten eller som ikke er godkjent av produsenten
- produktet har et tilbehør som ikke kommer fra produsenten eller som ikke er godkjent av produsenten.
- produktet ikke er reparert på et godkjent servicesenter eller av en godkjent aktør

SIKKERHET

Sikkerhetsdefinisjoner

Definisjonene nedenfor angir alvorlighetsgraden for hvert signalord.



ADVARSEL: Skade på personer.



OBS: Skade på produktet.

Merk: Denne informasjonen gjør produktet lettere å bruke.

- Denne bruksanvisningen kan ikke dekke alle situasjoner som kan oppstå når du bruker produktet. Vær forsiktig, og bruk sunn fornuft. Ikke bruk produktet eller utfør vedlikehold av produktet hvis du ikke føler deg trygg i situasjonen. Snakk med en produkt ekspert, forhandleren, serviceverkstedet eller et godkjent servicesenter for mer informasjon.
- Koble fra tennpluggkabelen før du monterer produktet, setter produktet til oppbevaring eller utfører vedlikehold.
- Ikke bruk produktet hvis det er endret fra den opprinnelige spesifikasjonen. Ikke bytt en del av produktet uten godkjenning fra produsenten. Bruk bare reservedeler som er godkjent av produsenten. Personskade eller død er mulige konsekvenser av feil vedlikehold.
- Ikke pust inn avgassene fra motoren. Å puste inn motorens avgasser, kjedoljetåke og sagspon i en lengre periode kan utgjøre en helsefare.
- Ikke start produktet innendørs eller i nærheten av brennbare materialer. Eksosen er varm og kan inneholde gnister som kan starte en brann. Uten tilstrekkelig lufttilførsel kan personskade eller død oppstå som et resultat av kveling eller karbonmonoksid.
- Dette produktet danner et elektromagnetisk felt når det er i bruk. Det elektromagnetiske feltet kan føre til skader på medisinske implantater. Snakk med legen din og produsenten av det medisinske implantatet før du bruker produktet.
- Ikke la barn bruke produktet.
- Ikke la en person bruke produktet uten kunnskap om instruksjonene.
- Overvåk alltid personer med redusert fysisk eller mental kapasitet når de bruker produktet. En ansvarlig voksen må alltid være til stede.
- Lås inn produktet et sted som barn og uautoriserte personer ikke har tilgang til.

Generelle sikkerhetsinstruksjoner

- Bruk produktet riktig. Personskade eller død er mulige konsekvenser av feil bruk. Produktet må kun brukes til oppgaver angitt i denne bruksanvisningen. Ikke bruk produktet til andre oppgaver.
- Les, forstå og følg instruksjonene i denne bruksanvisningen. Følg symbolene og sikkerhetsinstruksjonene. Personskade, materiell skade eller død er mulige konsekvenser hvis brukeren ikke følger instruksene og symbolene.
- Ikke kast denne bruksanvisningen. Bruk instruksjonene for å montere, bruke og holde produktet i god stand. Følg instruksjonene for riktig montering av tilbehør og tilleggsutstyr. Bruk bare godkjent tilbehør og tilleggsutstyr.
- Ikke bruk et skadet produkt. Følg vedlikeholdsskjemaet. Utfør bare vedlikehold som du finner instruksjoner om i denne bruksanvisningen. Et godkjent servicesenter må gjøre alt annet vedlikeholdsarbeid.

- Produktet kan kaste ut løse gjenstander og forårsake personskade. Følg instruksjonene for å redusere faren for personskade eller død.
- Ikke forlat produktet når motoren er på. Stopp motoren, og forsikre deg om at kjedet ikke roterer.
- Brukeren av produktet er ansvarlig hvis det skjer en ulykke.
- Pass på at delene ikke er skadet, før du bruker produktet.
- Se nasjonale eller lokale lover. De kan forby eller begrense bruken av produktet under enkelte forhold.

Sikkerhetsinstruksjoner for drift

- Kontinuerlig eller regelmessig bruk av produktet kan forårsake syndromet «hvite fingre» eller tilsvarende medisinske problemer fra vibrasjoner. Vær oppmerksom på tilstanden til hendene og fingrene dine hvis du bruker produktet kontinuerlig eller regelmessig. Hvis hendene eller fingrene er misfarget, eller hvis du kjenner smerte, kribling eller nummenhet, må du avbryte arbeidet og umiddelbart ta kontakt med en lege.
- Kontroller at produktet er ferdig montert før du bruker det.
- Produktet kan kaste ut objekter, noe som kan føre til skader på øynene. Bruk alltid et godkjent øyevern når du bruker produktet.
- Vær forsiktig, et barn kan komme nær produktet under drift uten at du er klar over det.
- Bruk ikke produktet dersom det finnes andre personer i arbeidsområdet. Slå av produktet hvis en person går inn i arbeidsområdet.

(Fig. 24)

- Pass på at du alltid har kontroll over produktet.
- Produktet må brukes med to hender. Bruk aldri produktet med én hånd. Alvorlig personskade på føreren, arbeidere, tilskuere eller en kombinasjon av disse personene kan være et resultat av bruk med én hånd.
- Hold det fremre håndtaket med venstre hånd og det bakre håndtaket med høyre hånd. Hold produktet på høyre side av kroppen.

(Fig. 25)

- Ikke bruk dette produktet dersom du er trett eller syk eller under påvirkning av alkohol eller andre rusmidler.
- Ikke bruk produktet hvis du ikke kan motta hjelp hvis det skjer en ulykke. Gjør andre oppmerksom på at du skal bruke produktet før du starter produktet.
- Ikke snu deg med produktet før du forsikrer deg om at ingen personer eller dyr er innenfor sikkerhetsområdet.
- Fjern alt uønsket materiale fra arbeidsområdet før du begynner. Hvis kjedet treffer et objekt, kan objektet bli kastet ut og forårsake personskade eller materiell skade. Uønsket materiale kan tvinne seg rundt kjedet og forårsake skade.

- Ikke bruk produktet i dårlig vær, for eksempel tåke, regn, sterk vind, ved fare for lyn eller annet uvær. Farlige forhold, for eksempel glatte overflater, kan oppstå på grunn av dårlig vær.
- Sørg for at du kan bevege deg fritt og arbeide i en stabil stilling.
- Pass på at du ikke risikerer å falle når du bruker produktet. Ikke len deg til siden når du bruker produktet.
- Hold alltid produktet med to hender. Hold det fremre håndtaket med venstre hånd og det bakre håndtaket med høyre hånd. Hold produktet på høyre side av kroppen.
- Hvis chokehendelen står i choke-stilling når motoren starter, begynner kjedet å rotere.
- Stopp motoren før du flytter produktet.
- Ikke legg produktet ned mens motoren er på.
- Før du fjerner uønsket materiale fra produktet, må du stoppe motoren. Vent til kjedet stopper før du eller andre fjerner avklipt materiale.
- Ikke bruk dette produktet i et tre. Bruk av produktet oppe i et tre kan føre til personskade.

(Fig. 26)

- Kjedebremsen må være satt på når produktet startes for å redusere faren for at sagkjedet treffer deg under oppstart.

(Fig. 27)

- Unngå kast, sprett, hopp og fall, som kan resultere i alvorlig skade.
- Følg alle sikkerhetsregler for å bidra til å unngå kast og andre krefter som kan resultere i alvorlig personskade.
- Juster sagkjedestrammingen regelmessig for å sikre at kjedet ikke er slakt. Et for slakt sagkjede kan føre til at kjedet hopper av og forårsaker alvorlig skade eller død.
- Ikke fell trær med feil fremgangsmåte. Dette kan føre til skade på personer eller eiendom, eller at treet treffer en forsyningsledning.
- Brukeren må stå på oversiden i et hellende terreng siden det er sannsynlig at treet vil rulle eller skli nedoverbakke etter at det felles.

(Fig. 28)

- Planlegg og rydd en rømningsvei før du begynner å kutte. Rømningsbanen skal gå diagonalt bakover på linje med den forventede fallretningen.

(Fig. 29)

- Stopp alltid motoren før du flytter produktet mellom trærne.
- Sørg for at du plasserer føttene godt i bakken og fordeler vekten jevnt.

(Fig. 30)

- Sørg for at du alltid står støtt, og bruk produktet bare mens du står på fast, sikkert og flatt underlag. Glatte eller ustabile underlag, slik som stiger, kan føre til at du mister balansen eller kontrollen.

(Fig. 31)

Kast, sprett, hopp og fall

Forskjellige krefter kan ha innvirkning på den sikre bruken av produktet.

- **Sprett** er når sverdet beveger seg raskt på tvers av treet.
- **Hopp** er når sverdet løfter seg fra treet og berører det igjen og igjen.
- **Fall** er når produktet faller ned etter kuttet. Dette kan føre til at kjedet treffer en del av kroppen eller andre gjenstander, noe som kan forårsake skade.
- **Kast** er når enden av sverdet berører objekter og beveger seg bakover, oppover eller plutselig fremover. Kast skjer også når treverket klemmer på sagkjedet under kuttingen. Tap av kontroll kan forekomme hvis produktet treffer en gjenstand i treet. (Fig. 32)

- **Roterende kast** kan oppstå når kjedet er i bevegelse og kommer i kontakt med en gjenstand på toppen av sverdet. Dette kan føre til at kjedet graver seg ned i gjenstanden og stopper umiddelbart. Resultatet er en svært rask reverserende bevegelse som beveger sverdet oppover og bakover i retning av brukeren. (Fig. 33)
- **Klemkast** kan skje når sagkjedet stopper plutselig under kuttingen. Treverket klemmer seg sammen og blokkerer sagkjedet langs toppen av sverdet. En kjede som plutselig stopper reverserer kjedet slik at produktet beveger seg i motsatt retning av omdreiningen til kjedet. Produktet beveger seg bakover i retning av brukeren. (Fig. 34)
- **Inntrekking** kan skje når sagkjedet plutselig stopper mens det i er bevegelse når det treffer en gjenstand i treverket langs undersiden av sverdet. En plutselig stopp trekker produktet forover og vekk fra brukeren, noe som kan lett føre til at brukeren mister kontrollen over produktet. (Fig. 35)

Sørg for at du forstår de forskjellige kreftene og hvordan du unngår dem før du bruker produktet. Se *Unngå kast, sprett, hopp og fall på side 115*.

Unngå kast, sprett, hopp og fall

- Hold godt i produktet mens motoren går. Hold høyre hånd på det bakre håndtaket og venstre hånd på det fremre håndtaket. Hold tomlene og fingrene godt rundt håndtakene. Ikke slipp.
- Hold øye med produktet under kutting og etter at treverket har falt ned på bakken. Pass på at vekten til produktet ikke gjør at det beveger seg nedover etter kuttet.
- Kontroller at området der du skal kutte er fritt for blokkeringer. Ikke la tuppen av sverdet berøre

stokker, grener eller andre blokkeringer mens du bruker produktet. (Fig. 36)

- Kutt ved høyt turtall.
- Unngå å strekke deg for å øke rekkevidden eller sage over skulderhøyde. (Fig. 37)
- Følg produsentens instruksjoner for sliping og vedlikehold av sagkjedet.
- Bruk bare sverd og sagkjeder som er spesifisert av produsenten.
- For stor understilling øker sagkjedets risiko for kast.

Personlig verneutstyr

- Bruk alltid egnet personlig verneutstyr når du bruker produktet. Personlig verneutstyr reduserer skaden hvis en ulykke oppstår, men eliminerer den ikke.
- Ikke bruk løstsittende klær som kan sette seg fast i sagkjedet.
- Bruk godkjent vernehjelm.
- Bruk alltid godkjent hørselsvern når du bruker produktet. Støy over en lang periode kan forårsake hørselsskade.
- Bruk vernebriller eller ansiktsvisir for å redusere risikoen for skader fra gjenstander som slynges ut. Produktet kan forflytte gjenstander med stor styrke, som sagspon og små trebiter. Dette kan forårsake alvorlig skade, inkludert på øynene.
- Bruk hansker med motorsagbeskyttelse.
- Bruk bukser med motorsagbeskyttelse.
- Bruk støvler med motorsagbeskyttelse, ståltupp og sklisikker såle.
- Sørg for at du har et førstehjelpssett i nærheten.
- Det kan komme gnister fra lydempere, sverdet og sagkjedet eller annen kilde. Ha alltid tilgjengelig for å bidra til å forhindre skogbrann.

Beskyttelsesutstyr på produktet

- Ikke bruk et produkt med skadet verneutstyr. Hvis produktet er skadet, må du kontakte et godkjent servicesenter.

Kontrollere stoppbryteren

1. Start motoren. Se *Før du starter motoren på side 118*.
2. Forsikre deg om at motoren stopper når du flytter stoppbryteren til stoppstillingen.

Undersøke gassregulatorsperran

1. Kontroller at gassregulatoren (B) er låst på tomgang når du slipper gassregulatorsperran (A). (Fig. 38)
2. Skyv gassregulatorsperran (A), og kontroller at den går tilbake til utgangsstillingen når du slipper den.
3. Skyv gassregulatoren (B), og kontroller at den går tilbake til utgangsstillingen når du slipper den.
4. Start motoren, og gi deretter full gass.

5. Slipp gassregulatoren og undersøk om sagkjedet stanser.
6. Hvis sagkjedet roterer når gassregulatoren står i tomgangsstilling, må du undersøke justeringsskruen på forgasseren.

Beskyttelse

Beskyttelsen forhindrer at gjenstander slynges i retning av brukeren. Beskyttelsen forhindrer også utilsikket berøring mellom brukeren og sagkjedet.

- Kontroller at beskyttelsen er tillatt for bruk i kombinasjon med produktet.
- Ikke bruk produktet uten beskyttelsen.
- Kontroller at beskyttelsen er uskadet. Skift beskyttelsen hvis den er slitt eller har sprekker.

Brennstoffsikkerhet

- Ikke start produktet hvis det er drivstoff eller motorolje på produktet. Fjern uønsket drivstoff/olje, og la produktet tørke. Fjern uønsket drivstoff fra produktet.
- Skift klær umiddelbart hvis du søler drivstoff på klærne.
- Ikke få drivstoff på kroppen, det kan føre til personskade. Bruk såpe og vann for å fjerne drivstoff hvis du får drivstoff på kroppen.
- Ikke start motoren hvis du søler olje eller drivstoff på produktet eller på kroppen din.
- Ikke start produktet hvis motoren lekker. Kontroller motoren for lekkasjer med jevne mellomrom.
- Vær forsiktig med drivstoff. Drivstoff er brannfarlig, og avgassene er eksplosive og kan forårsake personskade eller død.
- Ikke pust inn bensindamp, det kan føre til personskade. Pass på at det er tilstrekkelig luftstrøm.
- Du må ikke røyke i nærheten av drivstoff eller motoren.
- Ikke sett varme gjenstander i nærheten av drivstoff eller motoren.
- Ikke fyll på drivstoff når motoren er på.
- Kontroller at motoren er avkjølt før du fyller på drivstoff.
- Åpne tanklokket sakte og slipp ut trykket forsiktig før du fyller.
- Ikke fyll drivstoff på motoren innendørs. Utilstrekkelig luftstrøm kan føre til personskade eller død på grunn av kveling eller karbonmonoksidforgiftning.
- Trekk til lokket på drivstofftanken forsiktig. Brann kan oppstå hvis du ikke gjør dette.
- Flytt produktet minst 3 m fra stedet du fylte tanken før du starter det.
- Ikke fyll for mye drivstoff på tanken.

- Kontroller at det ikke oppstår lekkasjer når du flytter produktet eller bensinkannen.
- Ikke plasser produktet eller en drivstoffbeholder i nærheten av åpen flamme, gnister eller pilotflamme. Pass på at det ikke er åpen flamme i oppbevaringsområdet.
- Bruk bare godkjente beholdere når du flytter drivstoff eller setter drivstoff til oppbevaring.
- Tøm drivstofftanken før lengre tids oppbevaring. Følg lokale lover om hvor du kan kassere drivstoff.
- Rengjør produktet før lengre tids oppbevaring.
- Fjern tennpluggkabelen før du setter produktet til oppbevaring for å sikre at motoren ikke starter ved et uhell.

Sikkerhetsinstruksjoner for vedlikehold

- Koble fra tennpluggkabelen før du utfører vedlikehold på produktet, ikke inkludert justering av forgasseren.
- Få all produktservice utført av en godkjent forhandler, ikke inkludert oppgaver i *VEDLIKEHOLD på side 119*.
- Forsikre deg om at sagkjedet stopper når du slipper gassregulatoren.
- Hold håndtakene tørre, rene og frie for olje og drivstoff.
- Hold hetter og festeanordninger riktig strammet.
- Utskifting av komponenter som ikke er godkjent eller fjerning av sikkerhetsutstyr kan føre til skade på produktet. Dette kan også forårsake personskade på brukeren eller personer i nærheten. Bruk bare reservedeler og tilleggsutstyr som er anbefalt. Ikke foreta endringer av produktet.
- Hold sagkjedet skarpt og rent for sikker og høy ytelse.
- Følg instruksjonene for smøring og utskifting av tilbehør.
- Kontroller produktet for skadde deler. Før du bruker produktet mer må du kontrollere at skadet beskyttelse eller del fungerer korrekt. Kontroller for ødelagte eller feilplasserte deler og deler som ikke beveger seg fritt. Kontroller for andre forhold som kan ha innvirkning på driften av produktet. Pass på at produktet er riktig montert. En beskyttelse eller andre skadde dele må repareres eller skiftes av en godkjent forhandler med mindre noe annet er skrevet i bruksanvisningen.
- Oppbevar produktet på et tørt, høyt eller låst område som er utilgjengelig for barn når det ikke er i bruk.
- Bruk et sverddeksel eller en veske til å flytte produktet under transport eller oppbevaring.
- Ikke bruk spillolje. Spillolje kan være farlig for deg og kan forårsake skade på produktet og miljøet.

MONTERING



ADVARSEL: Les og forstå kapittelet om sikkerhet før du monterer produktet.

Montere sverdet og sagkjedet

1. Ta hetten av tennpluggen under montering for å hindre utilsiktet start. (Fig. 39) (Fig. 40)
 2. Fjern sverdmutrene og kopplingsdekselet. Fjern transportvernet (A). (Fig. 41)
 3. Plasser sverdet over sverdboltene. Sett sverdet til den bakerste stillingen.
 4. Ta på deg hansker med motorsagvern.
 5. Løft sagkjedet over drivhulet og sett det i sverdsporet. Begynn på oversiden av sverdet. (Fig. 42)
 6. Kontroller at eggen på tannlenkene er vendt forover på oversiden av sverdet.
7. Monter kopplingsdekselet og styr kjedestrammertappen i hullet i sverdet.
 8. Kontroller at drivlenkene til sagkjedet sitter riktig på drivhulet. Pass også på at sagkjedet sitter riktig i sporet i sverdet.
 9. Stram sverdmutrene med fingrene.
 10. Stram sagkjedet ved å skru kjedestrammerskruen med klokken med kombinasjonsnøkkelen. Stram sagkjedet til det ikke henger ned under sverdet, men du enkelt kan vri det for hånd. (Fig. 43) og (Fig. 44)
 11. Hold opp enden av sverdet, og stram sverdmutrene med kombinasjonsnøkkelen. (Fig. 45)
 - Undersøk kjedestrammingen jevnlig etter at du har montert et nytt sagkjede og inntil kjedet har blitt kjørt inn.
 - Undersøk sagkjedespenningen regelmessig. Riktig stramming gir god ytelse og lang levetid.

DRIFT



ADVARSEL: Les og forstå kapittelet om sikkerhet før du bruker produktet.

Bruke drivstoff



OBS: Dette produktet har en totaktsmotor. Bruk en blanding av bensin og totaktsmotorolje. Pass på å bruke riktig mengde olje i blandingen. Feil forhold mellom bensin og olje kan føre til skade på motoren.

Drivstoffblandingsforhold

Blandingsforholdet for bensinen og totaktsmotoroljen er 50:1 (2 %)

Bensin	Totaktsmotorolje
1 US gallon	77 ml
1 UK gallon	95 ml
5 l	100 ml

Blande drivstoffet

1. Fastslå riktig mengde med bensin og motorolje (blandingsforhold 50:1). Ikke lag drivstoffblanding for mer enn 30 dager. Se *Drivstoffblandingsforhold på side 117*.
2. Tilsett halvparten av bensinmengden i en ren bensinkanne med overfyllingsbeskyttelse.



OBS: Ikke bruk bensin med mer enn 10 % etanolkonsentrasjon (E10). Dette kan skade produktet.



OBS: Ikke bruk bensin med et oktantal som er mindre enn 90 RON (87 AKI). Dette kan skade produktet.

Merk: Bruk bensin med høyere oktantal hvis du ofte bruker produktet ved kontinuerlig høyt motorturtall.

3. Tilsett all totaktsmotoroljen i bensinkanen.



OBS: Bruk alltid luftkjølt totaktsmotorolje av høy kvalitet. Annen olje kan skade produktet.

4. Rist drivstoffblandingen for å blande innholdet.
5. Tilsett resten av bensinen i bensinkanen.
6. Rist drivstoffblandingen for å blande innholdet.
7. Tilsett drivstoffblandingen i drivstofftanken til produktet. Se *Drivstoffblandingsforhold på side 117*.

Fylle drivstofftanken

1. Pass på at drivstoffblandingen er riktig og at drivstoffblandingen er i en bensinkanne med overfyllingsbeskyttelse.
2. Hvis det er drivstoff i kannen, må du fjerne uønsket drivstoff og la kannen tørke.
3. Pass på at området i nærheten av lokket på drivstofftanken er rent.

4. Fjern lokket på drivstofftanken. (Fig. 46)
5. Rist drivstoffbeholderen før du fyller drivstoff på tanken.
6. Sett lokket på drivstofftanken.

Smøre sagkjedet

Produktet har et automatisk smøresystem. Pass på å bare bruke riktig sagkjedeolje og følge instruksene.

1. Bruk vegetabilsk sagkjedeolje eller en vanlig sagkjedeolje.
2. Kontroller at området nær hetten på tanken for sagkjedeolje er ren.
3. Ta hetten av tanken for sagkjedeolje.
4. Fyll tanken for sagkjedeolje med anbefalt sagkjedeolje.
5. Sett hetten på tanken for sagkjedeolje.

Før du starter motoren

- Undersøk om produktet har manglende, skadde, løse eller slitte deler.
- Undersøk mutrene, skruene og boltene.
- Kontroller luftfilteret.
- Kontroller at gassregulatorspærren og gassregulatoren fungerer som de skal.
- Undersøk om stoppbryteren fungerer som den skal.
- Kontroller produktet etter drivstofflekkasjer.
- Kontroller sagkjedets skarphet og stramming.

Starte en kald motor

1. Flytt kastbeskyttelsen forover for å aktivere kjedebremsen. (Fig. 47)
2. Trekk chokehendelen utover og opp.
3. Trykk på primeren 6 ganger. (Fig. 48)
4. Hold produktet på bakken med venstre hånd. Ikke trakk på produktet. Trekk sakte i startsnoren til du kjenner litt motstand. Trekk deretter hardt i startsnoren. (Fig. 49)

Merk: Ikke trekk i gassregulatoren mens du starter motoren.

5. Fortsett å trekke i startsnoren til motoren starter eller prøver å starte (maks. tre trekk). Hvis motoren starter eller prøver å starte, trykker du chokehendelen ned. (Fig. 50)



OBS: Du må ikke trekke i startsnoren før den stopper. Ikke slipp startsnoren når den er helt ute. Slipp startsnoren langsomt. Hvis du ikke følger disse instruksjonene, kan det føre til skade på motoren.

6. Fortsett å trekke til motoren starter. Vent 60 sekunder etter start før du trekker i gassregulatoren.

7. Dra kastbeskyttelsen tilbake mot det fremre håndtaket for å koble ut kjedebremsen.
8. Hold det bakre håndtaket med høyre hånd og det fremre håndtaket med venstre hånd.
9. Bruke produktet.

Starte en varm motor

1. Flytt kastbeskyttelsen forover for å aktivere kjedebremsen. (Fig. 51)
2. Trekk chokehendelen utover og opp.
3. Trykk på primeren 6 ganger. (Fig. 52)
4. Dytt chokehendelen nedover. (Fig. 53)
5. Hold produktet på bakken med venstre hånd. Ikke trakk på produktet. Trekk sakte i startsnoren til du kjenner litt motstand. Trekk deretter hardt i startsnoren. (Fig. 54)



OBS: Du må ikke trekke i startsnoren før den har stoppet. Ikke slipp startsnoren når den er helt ute. Slipp startsnoren langsomt. Følg disse instruksjonene for å unngå skade på motoren.

Merk: Ikke trekk i gassregulatoren mens du starter motoren.

6. Fortsett å trekke i startsnoren til motoren starter eller prøver å starte (maks. tre trekk). Vent 60 sekunder etter start før du trekker i gassregulatoren.
7. Trekk kastbeskyttelsen bakover i retning av det fremre håndtaket for å koble ut kjedebremsen.
8. Hold det bakre håndtaket med høyre hånd og det fremre håndtaket med venstre hånd.
9. Bruke produktet.

Starte motoren når drivstoffet er for varmt

Hvis produktet ikke starter, kan drivstoffet bli for varmt.

Merk: Bruk alltid nytt drivstoff, og reduser driftstiden under varmt vær.

1. Plasser produktet på et kjølig sted vekk fra sollys.
2. La produktet avkjøles i minst 20 minutter.
3. Trykk på drivstoffpumpen igjen og igjen i 10–15 sekunder.
4. Følg prosedyren for å starte en kald motor. Se *Starte en kald motor på side 118*.

Stoppe

- Trykk på stoppbryteren for å stoppe motoren.

Merk: Stoppbryteren går automatisk tilbake til utgangsstillingen.

Bruke en barkstøtte

Barkstøtten hindrer tilbakeslag og holder treet mens du kutter. Barkstøtten er en dreietapp mellom motorhuset og sverdet.

1. Sett den nedre enden av barkstøtten til korrekt brytekanthøyde.
2. Bruk venstre hånd til å trykke mot det fremre håndtaket mens du løfter det bakre håndtaket med høyre hånd.
3. Sag til du oppnår riktig brytekanthøyde.

Merk: Hengslet må ha en lik tykkelse.

4. Sag mer enn halvparten av diameteren, og sett deretter fellekilen inn i hovedskåret.

Felle et tre

1. Fjern jord, steiner, løs bark, spikrer, stifter og stålbitar fra treet.
2. Lag et hakk på 1/3 av diameteren til treet, vinkelrett på motsatt retning av fallretningen. (Fig. 55)
3. Foreta det nedre vannrette kuttet. Dette forhindrer at sagkjedet eller sverdet havner i klem når det andre kuttet lages.
4. Foreta kuttet for hovedskåret (X) minst 50 mm høyere enn det vannrette kuttet. Hold kuttet for hovedskåret parallelt med det vannrette kuttet slik tilstrekkelig treverk er igjen for å være et hengsel. Ikke kutt gjennom helt gjennom. Hengseltreverket forhindrer at treet vrir seg og faller i feil retning. (Fig. 56) og (Fig. 57)
5. Treet begynner å falle når kuttet for hovedskåret nærmer seg hengselet. Sørg for at treet kan falle i riktig retning og ikke vugger bakover og setter sagkjedet i klem. Stopp kuttet før kuttet for hovedskåret er fullført for å unngå dette. Bruk kiler av tre, plast eller aluminium for å åpne kuttet, og la

treet falle på linje med den ønskede fallretningen. (Fig. 58)

6. Fjern produktet fra snittet når treet begynner å falle. Stopp motoren, sett produktet ned og bruk den planlagte rømningsbanen. Vær forsiktig med greiner som faller ovenfra, og pass på fotfestet ditt. (Fig. 59)

Kviste et tre

1. Bruk de største greinene til å holde stokken opp fra bakken.
2. Fjern små kvister med ett kutt. (Fig. 60)
3. Kapp grener som står i spenn fra bunnen til toppen for å hindre at sagkjedet eller sverdet kommer i klem.

Kabbe en trestokk



OBS: Ikke la sagkjedet komme i kontakt med bakken.

- Hvis trestokken har støtte langs hele lengden, kutter du fra toppen av trestokken (kalt overkabbing). (Fig. 61)
- Hvis trestokken har støtte i den ene enden, kutter du 1/3 av diameteren fra under trestokken (kalt underkabbing).
- Hvis trestokken har støtte på de to endene, kutter du 1/3 av diameteren fra toppen. Fullfør kuttet ved å underkappe de nedre 2/3 av trestokken for å berøre det første kuttet. (Fig. 62)
- Hvis du kabber en trestokk i en helling, må du alltid stå på oversiden av trestokken. Kutt gjennom stokken mens du holder har full kontroll over produktet. Slipp deretter kuttetrykket nær enden av kuttet mens du holder bakre og fremre håndtak stramt. (Fig. 63)

VEDLIKEHOLD



ADVARSEL: Les og forstå kapittelet om sikkerhet før du rengjør, reparerer eller utfører likehold på produktet.

Vedlikeholdsskjema

Kontroller at du følger vedlikeholdsskjemaet. Intervallene er beregnet med utgangspunkt i daglig bruk av produktet. Intervallene er annerledes hvis du ikke bruker produktet hver dag. Utfør bare vedlikehold som du finner i denne bruksanvisningen. Snakk med et godkjent servicesenter om annet vedlikehold som ikke finnes i denne bruksanvisningen.

Daglig vedlikehold

- Rengjør de utvendige flatene.

- Kontroller at effektregulatorsperren og effektregulatoren fungerer riktig.
- Rengjør kjedebremsen og kontroller at den fungerer som den skal.
- Se etter skade på kjedefangeren. Bytt kjedefangeren hvis den er skadet.
- Snu sverdet daglig for jevn slitasje.
- Kontroller at smørehullet i sverdet ikke er tett.
- Fjern sagspon og annet uønsket materiale fra undersiden av drivhjuldekslet.
- Rengjør sverdsporet. (Fig. 64)
- Kontroller at sverdet og sagkjedet får nok olje.
- Undersøk sagkjedet, og se etter:
 - synlige sprekker i nagler og lenker
 - ujevnt slitte nagler og lenker

- riktig stramming
- ujevnheter på kjedets drivlenke

Skift sagkjedet om nødvendig.

- File sagkjedet. Se *Slipe kjedet på side 121*.
- Kontroller at drivhjulet ikke er unormalt slitt, og skift det ut om nødvendig. (Fig. 65)
- Rengjør motorhusets luftinntak.
- Kontroller at skruer og mutre er trukket til.
- Kontroller at av-/på-knappen fungerer som den skal.

Ukentlig ettersyn

- Kontroller at kjølesystemet fungerer som det skal.
- Kontroller at starteren, startsnoren og returfjæren fungerer riktig.
- Kontroller at vibrasjonsisolatorene ikke er skadd.

(Fig. 66)

- Fil bort eventuelle grader på sidene av sverdet.
- Rengjør eller skift lydtemperens gnistfangernett.

(Fig. 67)

- Rengjør de utvendige flatene på forgasseren og tilstøtende områder.
- Rengjør luftfilteret. Monter et nytt luftfilter hvis det er skadet eller er for skittent til å kunne rengjøres ordentlig. Se *Rengjøre luftfilteret på side 120* for mer informasjon.

Månedlig ettersyn

- Kontroller bremsebåndet på kjedebremsen med henblikk på slitasje. Skift når bremsebåndtykkelsen er mindre enn 0,6 mm på det mest slitte stedet.

(Fig. 68)

- Kontroller koplingscenteret, koplingstrømmelen og koplingsfjæren for slitasje.
- Rengjør tennpluggen. Kontroller at elektrodeavstanden er riktig.

(Fig. 69)

- Rengjør de utvendige flatene på forgasseren og tilstøtende områder.
- Kontroller drivstoffilteret og drivstoffslangen. Skift om nødvendig.
- Tøm drivstofftanken.
- Tøm drivstofftanken.
- Undersøk alle kabler og forbindelser.

Årlig vedlikehold

- Kontroller tennpluggen.
- Rengjør de utvendige flatene på forgasseren og tilstøtende områder.
- Rengjør kjølesystemet.
- Kontroller gnistfangerskjermen.
- Kontroller drivstoffilteret.
- Se etter skade på drivstoffslangen.

- Undersøk alle kabler og forbindelser.

Periodisk vedlikehold

- Få et godkjent servicesenter til å reparere eller skifte ut lydtemperen etter 50 timers drift.
- Utfør vedlikehold på tennpluggen når:
 - effektnivået i motoren er lavt.
 - det er vanskelig å starte motoren.
 - motoren ikke fungerer korrekt på tomgang.
- Kontroller sagkjedesmøringen hver gang du fyller drivstoff. Se *Kontrollere sagkjedesmøringen på side 121*.

Justere tomgangsturtallet

Kontroller at luftfilteret er rent og at luftfilterlokket er festet før du justerer tomgangsturtallet.

1. Drei justeringsskruen for tomgang, som er identifisert med et "T"-merke, med urviseren til sagkjedet begynner å rotere.
2. Drei justeringsskruen for tomgang, som er identifisert med et "T"-merke, mot urviseren til sagkjedet stopper.
3. Tomgangsturtallet må være lavere enn hastigheten når sagkjedet begynner å rotere. Tomgangsturtallet er korrekt når motoren går jevnt i alle stillinger.

Utføre vedlikehold av gnistfangerskjermen

- Bruk en stålbørste for å rengjøre gnistfangerskjermen. (Fig. 70)

Utføre vedlikehold av tennpluggen



OBS: Bruk anbefalt tennplugg. Pass på at den nye delen er av samme type som delen produsenten leverte. Feil tennplugg kan føre til skade på produktet.

1. Se etter uønsket materiale på tennpluggen hvis produktet ikke er lett å starte og betjene. Redusere risikoen for uønsket materiale på tennpluggenes elektroder:
 - a) Pass på at tomgangsturtallet er riktig justert.
 - b) Pass på at drivstoffblandingen er riktig.
 - c) Kontroller at luftfilteret er rent.
2. Rengjør tennpluggen hvis den er skitten. Kontroller at elektrodeavstanden er riktig. (Fig. 71)
3. Skift tennpluggen når det er nødvendig.

Rengjøre luftfilteret

1. Ta av luftfilterdekslet og fjern luftfilteret. (Fig. 72)
2. Rengjør luftfilteret med varmt såpevann. Sørg for at luftfilteret er tørt før du monterer det.

3. Skift luftfilteret hvis det er for skittent til å rengjøres ordentlig. Bytt alltid ut skadet luftfilter.

Slipe kjedet

Kapperen

Den sagende delen av et sagkjede kalles tannlenke og består av en skjærtann (A) og en dybdemåler (B). Skjæredybden avgjøres av høydeavstanden mellom disse. Dette er dybdemålerinnstillingen (C).

(Fig. 73)

Ved filing av skjæretenner er det fire mål som må tas hensyn til:

- filingsvinkel

(Fig. 74)

- støtvinkel

(Fig. 75)

- filstilling

(Fig. 76)

- rundfildiameter

(Fig. 77)

File skjæretennene

Bruk en rundfil og en filmal til å file skjæretennene. Se *Sagkjedets filing og sagkjedekombinasjoner på side 124* for informasjon om anbefalt dimensjon på filen og filmalen for sagkjedet som er montert på produktet. (Fig. 78)

1. Kontroller at sagkjedet har riktig stramming. Et kjede uten korrekt stramming flytter seg til den ene siden og blir ikke filt riktig.
2. Bruk filen på alle tennene på den ene siden. Deretter bruker du filen på skjærtennenes innside og minsker trykket på returbevegelsen.
3. Snu produktet til motsatt side og bruk filen på tennene.
4. Bruk filen slik at alle tennene blir like lange. Skift et slitt sagkjede når lengden på skjæretennene reduseres til 4 mm.

Justere dybdemålerinnstillingen

Slip skjæretennene før du justerer dybdemålerinnstillingen. Se *File skjæretennene på side 121*. Når du sliper skjæretannen (A), vil dybdemålerinnstillingen (C) reduseres. For at skjærekapasiteten skal være optimal, må dybdemåleren (B) files ned for å oppnå den anbefalte dybdemålerinnstillingen. Se *Sagkjedets filing og sagkjedekombinasjoner på side 124* for å finne korrekt dybdemålerinnstilling for kjedet ditt.

(Fig. 79)

(Fig. 80)

Merk: Denne anbefalingen forutsetter at skjærtennenes lengde ikke er filt unormalt langt ned.

Bruk en flat fil og dybdemålerverktøyet til å justere dybdemåleren.

1. Legg dybdemålerverktøyet over sagkjedet. Informasjon om bruk av dybdemålerverktøyet er å finne på emballasjen.
2. Bruk flatfilen for å file vekk overskuddet på den overskytende delen av rytteren. Understillingen er korrekt når det ikke merkes motstand når du drar filen over malen.

Stramme sagkjedet

Merk: Kontroller strammingen av et nytt sagkjede ofte under innkjøringsperioden.

1. Løsne sverdmutrene som holder drivhjuldekslet. Bruk kombinasjonsverktøyet. (Fig. 81)
2. Stram sverdmutrene for hånd så hardt du kan.
3. Løft toppen av sverdet og forleng sagkjedet ved å stramme kjedestrammerskruen. Bruk kombinasjonsverktøyet. Stram sagkjedet til det ikke er slakk på undersiden av sverdet. (Fig. 82)
4. Stram sverdmutrene med kombinasjonsverktøyet samtidig som du løfter tuppen av sverdet. (Fig. 83)
5. Sørg for at du kan trekke sagkjedet fritt rundt for hånd og at det ikke henger ned. (Fig. 84)

Smøre skjærestyret

Kontrollere sagkjedesmøringen

Kontroller sagkjedesmøringen hver gang du fyller drivstoff.

1. Start produktet og la det gå med 3/4 hastighet. Rett sverdspissen mot en overflate med lysere farge i en avstand på ca 20 cm.
2. Etter å ha kjørt saken i ett minutt vises en linje med olje på den lyse flaten.
3. Hvis du ikke kan se linje med olje etter ett minutt, rengjør du oljekanalene i sverdet. Rengjør sporet i kanten av sverdet. Kontroller at nesehjulet roterer fritt og at det ikke finnes blokkeringer i smørehullet. Rengjør og smør nesehjulet.
4. Start produktet og la det gå med 3/4 hastighet. Rett sverdspissen mot en overflate med lysere farge i en avstand på ca 20 cm.
5. Etter å ha kjørt saken i ett minutt vises en linje med olje på den lyse flaten.
6. Hvis du ikke kan se linjen med olje etter ett minutt, snakker du med en godkjent forhandler.

TRANSPORT

- Tøm drivstoff- og kjedeoljetanken regelmessig. Avhend brukte væsker på riktig måte.
- Sett sverddekselet på skjæreutstyret under transport. Dette hindrer at personer berører det skarpe sagkjedet ved et uhell. Et sagkjede som ikke er i bruk kan føre til skade på deg selv eller andre personer som berører et skarpt sagkjede.
- Fjern hetten på tennpluggen og aktiver kjedebremsen før transport.
- Kontroller at produktet ikke kan bevege seg under transport.

LAGRING

- Oppbevar alltid produktet sikkert når det ikke er i bruk. Lekkasje og damper fra produktet kan berøre gnister, åpen flamme fra elektrisk utstyr, elektriske gressklippere, kontakter/strømbrytere, varmekjeler eller mer.
- Oppbevar alltid drivstoff i en godkjent beholder.
- Tøm drivstoff- og kjedeoljetanken når produktet oppbevares i lengre perioder av gangen. Avhend brukte væsker på riktig måte.
- Sett sverddekselet på sverdet under oppbevaring. Dette hindrer at personer berører det skarpe sagkjedet ved et uhell. Et sagkjede som ikke er i bruk kan føre til alvorlig skade på deg selv eller personer som berører et skarpt sagkjede.
- Fjern hetten på tennpluggen og aktiver kjedebremsen før oppbevaring.

TEKNISKE DATA

	enhet	130 (H13038HV)	135 Mark II (H13038HV)
Motorspesifikasjoner			
Sylindervolum	cm ³	38	38
Tennplugg	—	NGK BPMR 7A	NGK BPMR 7A
Elektrodeavstand	mm (tommer)	0,5 (0,02)	0,5 (0,02)
Drivstoffankvolum	cm ³	350	350
Tomgangshastighet	min ⁻¹	2800-3200	2800-3200
Effekt ved 9000 min ⁻¹	kW	1,5	1,6
Holdbarhetsperiode, utslipp	h	125	125
Støy- og vibrasjonsdata			
Ekvivalent vibrasjonsnivå (ahv, ekv.) venstre håndtak ³⁶	m/s ²	3,72	3,72
Ekvivalent vibrasjonsnivå (ahv, ekv.) høyre håndtak ³⁷	m/s ²	5,5	5,5

³⁶ Ekvivalent vibrasjonsnivå beregnes som tidsvektet total energi for vibrasjonsnivåer under forskjellige driftsforhold. Rapporterte data for ekvivalent vibrasjonsnivå har en typisk statistisk spredning (standardavvik) på 1,5 m/s².

³⁷ Ekvivalent vibrasjonsnivå beregnes som tidsvektet total energi for vibrasjonsnivåer under forskjellige driftsforhold. Rapporterte data for ekvivalent vibrasjonsnivå har en typisk statistisk spredning (standardavvik) på 1,5 m/s².

	enhet	130 (H13038HV)	135 Mark II (H13038HV)
Lydeffektnivå, garantert (L_{WA}) ³⁸	dB(A)	116	116
Lydeffektnivå, målt ³⁹	dB(A)	114	114
Lydtrykksnivå ved brukerens øre ⁴⁰	dB(A)	102	102
Produktmål			
Vekt (uten skjærestyr)	kg	4,68 (10,3)	4,68 (10,3)
Oljetankvolum	cm ³	260	260
Brennstoff-/smøresystem			
Oljepumpekapasitet ved 9000 min ⁻¹	ml/min	9	9
Type av oljepumpe	—	Automatisk	Automatisk
Sagkjede og sverd			
Standard sverdlengde	cm (tommer)	35–40	35–40
Anbefalt sverdlengde	cm (tommer)	35–40	35–40
Effektiv skjærelengde	cm (tommer)	33-38 (13-15)	33-38 (13-15)
Maksimal sagkjedehastighet	m/s ²	22,3	22,3
Sagkjededeling	mm (tommer)	9,52	9,52
Tykkelse på drivlenke (måler)	mm (tommer)	1,3 (0,050)	1,3 (0,050)
Type drivhjul	—	Spur	Spur
Antall drivhjultenner	—	6	6

³⁸ Utslipp av støy til omgivelsene målt som lydeffekt (L_{WA}).

³⁹ Utslipp av støy til omgivelsene målt som lydeffekt (L_{WA}).

⁴⁰ Ekvivalent lydtrykksnivå beregnes som tidsvektet total energi for ulike lydtrykksnivåer under forskjellige driftsforhold. Typisk statistisk spredning for ekvivalent lydtrykksnivå er et standard avvik på 2,5 dB(A).

TILBEHØR

Sverd og kjedekombinasjoner

Sverd				Sagkjede	
Lengde	Kjededeling	Drivlenketykkelse	Maks. antall tenner nesehjul	Type	Lengde, drivlenke (stk.)
14 inch	3/8 inch	0,050 inch	7T	Husqvarna H37	52
16 inch				Husqvarna S93G	56

Sagkjedets filing og sagkjedekombinasjoner

Kjedetype	Run-dfilstørrelse	Vinkel for sideplate	Vinkel for topplate	Vinkel for filmal	Dybdemålerinnstilling	Delenummer til dybdemåler	Delenummer til filmal
H37, S93G	5/32 tommer. 4,0 mm	80°	30°	0°	0,025 / 0,65	5056981-03	5052437-01

INNHALDET I EF-SAMSVARERKLÆRINGEN

Vi, Husqvarna AB, SE 561 82 Huskvarna, SVERIGE, erklærer under eneansvar at dette produktet:

Beskrivelse	Bensinmotorsag
Merke	Husqvarna
Plattform/type/modell	Plattform H13038HV, som representerer modellene 130 og 135 Mark II
Parti	Serienummer datert 2018 og senere

fullstendig overholder følgende EU-direktiver og -forskrifter:

Direktiv/regulering	Beskrivelse
2006/42/EF	«angående maskiner»
2014/30/EU	«angående elektromagnetisk kompatibilitet»
2000/14/EF	«angående utendørsstøy»

Direktiv/regulering	Beskrivelse
2011/65/EU	«angående begrensning av bruken av bestemte farlige stoffer»

Harmoniserte standarder og/eller tekniske spesifikasjoner anvendt er som følger: EN ISO 12100, EN ISO 11681-1, CISPR 12, ISO 14982

I samsvar med direktivet 2000/14/EF, tillegg V står de oppgitte lydverdiene oppført i kapittelet om tekniske data i denne håndboken og i den signerte EU-samsvarerklæringen.

TÜV Rheinland LGA Products GmbH, kontrollorgan for maskiner (kontrollert under 0197), Tillystraße 2 – 90431 Nürnberg, Tyskland, utførte en EF-typeprøving i samsvar med 2006/42/EC, paragraf 12, punkt 3b.

Typekontrollsertifikatet, i samsvar med tillegg IX, som følger med den signerte samsvarerklæringen, gjelder for alle produksjonssteder og opprinnelsesland, slik det står oppgitt på produktet.

Motorsagen samsvarer med det eksemplaret som gjennomgikk EF-typeprøvingen.

Indhold

INDLEDNING.....	126	TRANSPORT.....	136
SIKKERHED.....	127	OPBEVARING.....	136
MONTERING.....	131	TEKNISKE DATA.....	136
DRIFT.....	131	TILBEHØR.....	138
VEDLIGEHOLDELSE.....	133	INDHOLD I EF- OVERENSSTEMMELSESERKLÆRING.....	138

INDLEDNING

Brugervejledning

Det oprindelige sprog i denne brugervejledning er engelsk. Brugervejledninger på andre sprog er oversættelser fra engelsk.

Oversigt

(Fig. 1)

1. Cylinderdæksel
2. Spædepumpe
3. Produkt- og serienummerskilt
4. Informations- og advarselsmærkat
5. Stopkontakt
6. Bageste håndtag
7. Brændstoftank
8. Startsnorens håndgreb
9. Starterhus
10. Faldretningsmærke
11. Kædeolietank
12. Forreste håndtag
13. Kædebremse med kastbeskyttelse
14. Lyddæmper
15. Savkæde
16. Næsehjul
17. Sværd
18. Kædestrammerskrue (130)
19. Kædestrammerskrue (135 mark II)
20. Barkstøtte
21. Kædefanger
22. Koblingsdæksel
23. Højrehåndsbeskyttelse
24. Gasregulering
25. Gasreguleringslås
26. Sværd dæksel
27. Kombinationsværktøj
28. Brugsanvisning

Symboler på produktet

(Fig. 2) Advarsel

- (Fig. 3) Læs denne vejledning
- (Fig. 4) Brug godkendt sikkerhedshjelm, høreværn og øjenværn
- (Fig. 5) Brug godkendte beskyttelseshandsker
- (Fig. 6) Produktet er i overensstemmelse med gældende EF-direktiver
- (Fig. 7) Lydeffektniveau
- (Fig. 8) Kædebremse, ikke aktiveret (venstre)
Kædebremse, aktiveret (højre)
- (Fig. 9) Chokerhåndtag
- (Fig. 10) Spædepumpe
- (Fig. 11) Påfyldning af brændstof
- (Fig. 12) Påfyldning af kædeolie
- (Fig. 13) Produktet er i overensstemmelse med gældende EAC-direktiver
- (Fig. 14) Produktet er i overensstemmelse med gældende ukrainske direktiver.
- (Fig. 15) Produktet er i overensstemmelse med gældende koreanske direktiver
- (Fig. 16) Produktet er i overensstemmelse med gældende japanske direktiver
- (Fig. 17) Støjniveau
- (Fig. 18) Hold godt fast i produktet med begge hænder
- (Fig. 19) Brug det ikke med én hånd
- (Fig. 20) Undgå kontakt med spidsen af sværdet

(Fig. 21) Pas på kast

(Fig. 22) Dette produkt er i overensstemmelse med gældende australske og newzealandske

bestemmelser vedrørende elektromagnetisk kompatibilitet

Bemærk: Andre symboler/mærkater på produktet henviser til certificeringskrav i andre handelsområder.

Proposition 65

(Fig. 23)

EU V



ADVARSEL: Ved manipulation af motoren bortfalder EU-typegodkendelsen af dette produkt.

Produktansvar

Som nævnt i produktansvarsbestemmelserne hæfter vi ikke for skader forårsaget af vores produkt, hvis:

- produktet er forkert repareret
- produktet er repareret med dele, der ikke er fra producenten eller ikke er godkendt af producenten
- produktet har tilbehør, der ikke er fra producenten eller ikke er godkendt af producenten.
- produktet ikke er repareret på et godkendt servicecenter eller af en godkendt myndighed.

SIKKERHED

Sikkerhedsdefinitioner

Definitionerne nedenfor angiver alvorligheden for hvert enkelt signalord.



ADVARSEL: Skade på personer.



BEMÆRK: Beskadigelse af produktet.

Bemærk: Disse oplysninger gør det lettere at bruge produktet.

Generelle sikkerhedsinstruktioner

- Brug produktet korrekt. Forkert brug kan medføre personskader eller dødsfald. Brug kun produktet til de opgaver, der angives i denne vejledning. Brug ikke produktet til andre opgaver.
- Læs, forstå og overhold instruktionerne i denne vejledning. Overhold sikkerhedssymboler og sikkerhedsinstruktioner. Hvis operatøren ikke følger vejledningen og symbolerne, kan det medføre personskader, beskadigelse eller dødsfald.
- Smid ikke denne vejledning ud. Brug vejledningen til at samle, betjene og vedligeholde dit produkt. Brug vejledningen til korrekt montering af udstyr og tilbehør. Brug kun godkendt udstyr og tilbehør.
- Brug ikke et beskadiget produkt. Overhold vedligeholdelsesskemaet. Udfør kun det vedligeholdelsesarbejde, du kan finde vejledning til i denne vejledning. Et godkendt servicecenter skal udføre alt andet vedligeholdelsesarbejde.
- Denne vejledning beskriver ikke alle situationer, der kan opstå, når du bruger produktet. Vær forsigtig og brug din sunde fornuft. Du må ikke bruge produktet eller foretage vedligeholdelse på produktet, hvis du ikke er sikker på, hvad du skal gøre. Snak med en produkt ekspert, forhandler, serviceværksted eller godkendt servicecenter for at få mere at vide.
- Fjern kablet fra tændrøret, før du samler produktet, sætter produktet til opbevaring eller foretager vedligeholdelse.
- Brug ikke produktet, hvis det er blevet ændret fra den oprindelige specifikation. Du må ikke ændre dele af produktet uden producentens godkendelse. Brug kun reservedele, der er godkendt af producenten. Forkert vedligeholdelse kan medføre personskader eller dødsfald.
- Indånd ikke dampe fra motoren. Indånding af motorens udstødningsgas, kædeolietåge og savsmuld i en længere periode kan udgøre en sundhedsrisiko.
- Start ikke produktet indendørs eller i nærheden af brandfarligt materiale. Udstødningsgasserne er varme og kan indeholde gnister, der kan starte en brand. Uden tilstrækkelig luftstrømning kan kvælning og kulilte føre til dødsfald eller personskade.
- Dette produkt danner et elektromagnetisk felt under drift. Det elektromagnetiske felt kan beskadige medicinske implantater. Tal med din læge og producenten af det medicinske implantat, før du betjener produktet.
- Lad ikke børn betjene produktet.
- Lad ikke en person uden kendskab til vejledningen betjene produktet.
- Hold altid øje med personer med nedsat fysisk eller mental kapacitet, der bruger produktet. En voksen skal være til stede hele tiden.

- Lås produktet i områder, hvor børn og ikke-autoriserede personer ikke kan få adgang.
- Produktet kan slynge genstande ud og forårsage skader. Overhold sikkerhedsinstruktionerne for at mindske risikoen for personskader eller dødsfald.
- Du må ikke gå væk fra produktet, når motoren er tændt. Stop motoren, og sørg for, at kæden ikke kører rundt.
- Brugeren af produktet er ansvarlig, hvis der sker et uheld.
- Sørg for, at delene ikke er beskadigede, før du bruger produktet.
- Se nationale eller lokale love. Visse love kan forhindre eller mindske brugen af produktet under nogle forhold.
- Brug ikke produktet i dårligt vejr, såsom tåge, regn, hård vind, risiko for lynnedslag eller andre vejrforhold. Farlige situationer, f.eks. glatte overflader, kan forekomme som følge af dårligt vejr.
- Sørg for, at du kan bevæge sig frit og arbejde i en stabil stilling
- Sørg for, at du ikke kan falde, når du bruger produktet. Stå ikke skråt, når du bruger produktet.
- Hold altid produktet med to hænder. Hold det forreste håndtag med venstre hånd og det bageste håndtag med højre hånd. Hold produktet på højre side af kroppen.
- Hvis chokerhåndtaget er i chokerpositionen, når motoren starter, begynder kæden at dreje.
- Stop motoren, før du flytter produktet.
- Sæt ikke produktet ned, mens motoren er tændt.
- Stands motoren, før du fjerner uønskede materialer fra produktet. Sørg for, at kæden er stoppet, før du eller en hjælper fjerner det afskærne materiale.
- Du må ikke bruge dette produkt oppe i et træ. Betjening af produktet oppe i et træ kan resultere i personskade.

Sikkerhedsinstruktioner for drift

- Vedvarende eller regelmæssig brug af produktet kan forårsage "hvide fingre" eller tilsvarende medicinske problemer på grund af vibrationer. Hold øje med dine hænder og fingre, hvis du betjener produktet vedvarende eller regelmæssigt. Hvis dine hænder eller fingre har misfarvning, gør ondt, snurrer eller er følelsesløse, skal du stoppe arbejdet og tale med en læge med det samme.
- Sørg for, at produktet er helt samlet, før du bruger det.
- Produktet kan forårsage, at genstande slynges ud, hvilket kan forårsage skader på øjnene. Anvend altid godkendt øjenværn ved betjening af produktet.
- Vær opmærksom på, at børn kan komme i nærheden af produktet, uden at du ved det, når du betjener produktet.
- Betjen ikke produktet, hvis der er personer i arbejdsområdet. Stop produktet, hvis en person går ind i arbejdsområdet.

(Fig. 24)

- Sørg for, at du altid har kontrol over produktet.
- Produktet skal betjenes med to hænder. Brug ikke produktet med kun én hånd. Brugeren, kollegaer, tilskuere eller en kombination af disse kan komme alvorligt til skade ved betjening med én hånd.
- Hold det forreste håndtag med venstre hånd og det bageste håndtag med højre hånd. Hold produktet på højre side af kroppen.

(Fig. 25)

- Brug aldrig produktet, hvis du er træt, syg eller påvirket af alkohol, narkotika eller medicin.
- Brug ikke produktet, hvis du ikke kan få hjælp i tilfælde af en ulykke. Sørg altid for, at andre ved, at du betjener produktet, før du starter det.
- Drej ikke med produktet, før du sikrer dig, at ingen mennesker eller dyr er i sikkerhedsområdet.
- Fjern alle uønskede materialer fra arbejdsområdet, når du går i gang. Hvis kæden rammer en genstand, kan genstanden blive slynget af sted og forårsage personskade eller skader. Uønsket materiale kan vikle sig rundt om kæden og forårsage skader.

(Fig. 26)

- Kædebremsen skal være aktiveret, når produktet startes for at mindske risikoen for, at savkæden rammer dig under start.

(Fig. 27)

- Undgå kast, skating, hoppen og fald, som kan medføre alvorlig personskade.
- Overhold alle sikkerhedsanvisninger for at undgå kast og andre hændelser, der kan medføre alvorlig personskade.
- Juster savkædens spænding regelmæssigt for at sikre, at savkæden ikke bliver slap. En slap savkæde kan hoppe af og forårsage alvorlig personskade eller dødsfald.
- Undlad at fælde træer med en forkert fremgangsmåde. Det kan resultere i personskade, at træet ramme en elledning eller forårsage skader på ejendom.
- Brugeren skal holde sig på terrænets opadvendte side, da træet sandsynligvis ruller eller glider nedad, når det fældes.

(Fig. 28)

- Planlæg og ryd en flugtrute, inden du går i gang med at save. Flugtruten skal gå bagud og diagonalt bagud i forhold til den forventede faldlinje.

(Fig. 29)

- Stands altid motoren, inden du flytter produktet fra et træ til det næste.
- Sørg for at have fødderne fast plantet på jorden, og fordel din vægt jævnt.

(Fig. 30)

- Sørg altid for at have ordentligt fodfæste, og betjen kun produktet, når du står på et fast, sikkert og plant underlag. Glatte eller ustabile overflader, f.eks.

stiger, kan medføre, at du mister balancen eller kontrollen.

(Fig. 31)

Kast, skating, hoppen og fald

Forskellige kræfter kan have indflydelse på sikker kontrol af produktet.

- **Skating** er, når sværdet bevæger sig hurtigt på tværs af træet.
- **Hoppen** er, når sværdet løfter sig fra træet og rammer det igen og igen.
- **Fald** er, når produktet falder ned, efter snittet er lavet. Det kan medføre, at den roterende kæde berører en del af kroppen eller andre genstande, hvilket resulterer i personskade eller beskadigelse.
- **Kast** er, når enden af sværdet rammer en genstand og rykker sig bagud, opad eller fremad med et ryk. Kast sker også, når træet lukker sig og klemmer savkæden under savningen. Tab af kontrol kan forekomme, hvis produktet rammer en genstand i træet.

(Fig. 32)

- **Hvirvlende kast** kan ske, når kæden i bevægelse rammer en genstand på spidsen af sværdet. Det får kæden til at grave sig ind i genstanden, hvilket får kæden til omgående at standse. Resultatet er en meget hurtig reaktion i modsat retning, som flytter sværdet op og bagud i retning af brugeren.

(Fig. 33)

- **Klemningskast** kan forekomme, når kæden pludselig stopper under savningen. Træet lukker sig og klemmer savkæden i bevægelse langs spidsen af sværdet. Den pludselige standsning af kæden vender kædekraften og får produktet til at bevæge sig i den modsatte retning af kældens drejning. Produktet bevæger sig bagud i retning af brugeren.

(Fig. 34)

- **Træk** kan forekomme, når savkæden pludselig stopper, når kæden i bevægelse rammer en genstand i træet langs bunden af sværdet. Det pludselige stop trækker produktet fremad og væk fra brugeren, hvilket nemt kan føre til, at brugeren mister herredømmet over produktet.

(Fig. 35)

Sørg for, at du forstår de forskellige kræfter, og hvordan du kan forebygge dem, inden du begynder at betjene produktet. Se *Sådan undgås kast, skating, hoppen og fald på side 129*.

Sådan undgås kast, skating, hoppen og fald

- Hold godt fast i produktet, når motoren kører. Sæt højre hånd på det bageste håndtag og venstre hånd på det forreste håndtag. Hold godt fast med tommelfingre og fingre omkring håndtagene. Slip ikke.

- Hold produktet under kontrol, mens der saves, og mens træet falder til jorden. Lad ikke vægten af produktet falde ned efter savningen.
- Sørg for, at det område, hvor du skal save, er fri for blokeringer. Lad ikke spidsen af sværdet røre stammer, grene eller andre blokeringer under betjening af produktet. (Fig. 36)
- Sav med høje motoromdrejninger.
- Stræk dig ikke under arbejdet, og sav ikke over skulderhøjde. (Fig. 37)
- Følg anvisningerne vedrørende skærping og vedligeholdelse fra kædeproducenten.
- Brug kun sværd og savkæder ved udskiftning, som er godkendt af producenten.
- Risikoen for kast øges, hvis ryttermålet er for stort.

Personligt beskyttelsesudstyr

- Brug altid korrekt personligt beskyttelsesudstyr, når du bruger produktet. Personligt beskyttelsesudstyr reducerer skadernes omfang i tilfælde af en ulykke, men fjerner dem ikke.
- Brug ikke løstsiddende tøj, som kan blive fanget i savkæden.
- Brug en godkendt beskyttelseshjelm.
- Brug altid godkendt høreværn, når du bruger produktet. Støj over længere perioder kan forårsage høretab.
- Brug sikkerhedsbriller eller ansigtssværm for at reducere risikoen for skader, der skyldes genstande, der slynges ud. Produktet kan flytte ting med stor kraft, f.eks. spåner og små træstykker. Det kan medføre alvorlig personskade, især i øjnene.
- Brug handsker med kædesavsbeskyttelse.
- Brug bukser med kædesavsbeskyttelse.
- Brug støvler med kædesavsbeskyttelse, stålsnude og skridsikre såler.
- Sørg for, at du har en førstehjælpskasse i nærheden.
- Der kan komme gnister ud af lyd-dæmperen, sværdet, savkæden og andre kilder. Hav altid brandslukningsudstyr og en skovl ved hånden som hjælp til at forebygge skovbrande.

Beskyttelsesanordninger på produktet

- Brug ikke et produkt, hvis beskyttelsesudstyret er beskadiget. Hvis produktet er beskadiget, skal du kontakte et godkendt servicecenter.

Sådan undersøges stopkontakten

1. Start motoren. Se *Før du starter motoren på side 132*.
2. Sørg for, at motoren stopper, når stopkontakten sættes i stopposition.

Sådan undersøges gasreguleringslåsen

1. Sørg for, at gasreguleringen (B) er låst i tomgang, når du slipper gasreguleringslåsen (A). (Fig. 38).

2. Skub gasreguleringslåsen (A), og sørg for, at den går tilbage til dens oprindelige position, når du slipper den.
3. Tryk på gasreguleringen (B), og sørg for, at den går tilbage til dens oprindelige position, når du slipper den.
4. Start motoren og giv fuld gas.
5. Slip gasreguleringen, og undersøg, om savkæden standser.
6. Hvis savkæden roterer, mens gasreguleringen er i tomgang, skal du undersøge tomgangsjusteringsskruen på karburatoren.

Afskærmning

Afskærmningen forhindrer genstande i at blive kastet ud i retning af brugeren. Afskærmningen forhindrer også utilsigtet kontakt mellem brugeren og kæden.

- Sørg for, at afskærmningen er tilladt til brug i kombination med produktet.
- Undlad at bruge produktet uden skærmen.
- Sørg for, at afskærmningen er intakt. Udskift afskærmningen, hvis den er beskadiget eller har revner.

Brændstofsikkerhed

- Start ikke produktet, hvis der er brændstof eller motorolie på produktet. Fjern uønsket brændstof/olie og lad produktet tørre. Fjern uønsket brændstof fra produktet.
- Hvis du får brændstof på dit tøj, skal du skifte tøj med det samme.
- Undgå at få brændstof på kroppen, da det kan forårsage personskader. Hvis du får brændstof på kroppen, skal du bruge sæbe og vand til at fjerne brændstoffet.
- Start ikke motoren, hvis du får olie eller brændstof på produktet eller på din krop.
- Start ikke produktet, hvis motoren lækker. Undersøg regelmæssigt motoren for lækager.
- Vær forsigtig med brændstof. Brændstof er letantændeligt og dampe er eksplosive og kan medføre personskader eller dødsfald.
- Undgå at indånde brændstoffedampene, da det kan forårsage personskader. Sørg for, at der er tilstrækkelig luftstrøm.
- Ryg ikke i nærheden af brændstof eller motor.
- Anbring ikke varme genstande i nærheden af brændstof eller motor.
- Fyld ikke brændstof på, når motoren er tændt.
- Sørg for, at motoren er afkølet, inden du fylder brændstof på.
- Før du fylder brændstof på, skal du åbne brændstoftankens dæksel langsomt og forsigtigt udløse trykket.
- Fyld ikke brændstof på motoren i et indendørs område. Utilstrækkelig med luftstrøm kan forårsage

personskader eller dødsfald på grund af kvælning eller kulilte.

- Spænd dækslet på brændstoftanken omhyggeligt, ellers kan der opstå brand.
- Flyt produktet minimum 3 m fra det sted, hvor du fyldte tanken, før du starter det.
- Fyld ikke for meget brændstof i brændstoftanken.
- Sørg for, at der ikke er lækager, når du flytter produktet eller brændstofdunken.
- Anbring ikke produktet eller en brændstofdunk på steder med åben ild, gnister eller tændflammer. Sørg for, at der ikke er åben ild i opbevaringsområdet.
- Brug kun godkendte tanke, når du flytter brændstoffet eller sætter det til opbevaring.
- Tøm brændstoftanken før langtidsofopbevaring. Overhold lokal lovgivning om bortskaffelse af brændstof.
- Rengør produktet før langtidsofopbevaring.
- Fjern kablet fra tændrøret inden opbevaring for at sikre, at motoren ikke starter utilsigtet.

Sikkerhedsinstruktioner for vedligeholdelse

- Afmontér tændrøret, før der udføres vedligeholdelse på produktet, dog undtaget karburatorjusteringer.
- Alt servicearbejde skal udføres af en godkendt forhandler, dog undtaget opgaver i *VEDLIGEHODELSE på side 133*.
- Sørg for, at savkæden holder op med at bevæge sig, når gasreguleringen slippes.
- Hold håndtagene tørre, rene og fri for olie og brændstof.
- Sørg for, at hætter og fastgørelsesanordninger altid er korrekt spændt.
- Reservedele, der ikke er godkendt, samt fjernelse af sikkerhedsanordninger kan forårsage beskadigelse af produktet. Det kan også forårsage personskade hos brugeren eller andre personer i nærheden. Brug kun originalt tilbehør og reservedele som anbefalet. Undlad at ændre produktet.
- Hold savkæden skarp og ren, så du får sikker og høj ydeevne.
- Følg vejledningen for smøring og udskiftning af tilbehør.
- Undersøg produktet for beskadigede dele. Inden yderligere brug af produktet skal det sikres, at den beskadigede afskærmning eller del fungerer korrekt. Se efter, om der er dele, der er knækket, er ude af justering eller som ikke bevæger sig frit. Se efter andre forhold, der kan have betydning for betjeningen af produktet. Sørg for, at produktet er korrekt monteret. En afskærmning eller andre beskadigede dele skal repareres eller udskiftes af en autoriseret forhandler, medmindre andet fremgår af brugervejledningen.
- Når produktet ikke bruges, skal det opbevares et tørt, højt eller låst sted, som er utilgængeligt for børn.

- Brug en skede eller en kasse til sværdet under transport og opbevaring af produktet.

- Brug aldrig spildolie. Spildolie kan både være skadeligt for dig og ødelægge produktet og miljøet.

MONTERING



ADVARSEL: Læs og forstå kapitlet om sikkerhed, før du monterer produktet.

Sådan monteres sværdet og savkæden.

1. Fjern tændrørshætten fra tændrøret under montering for at undgå utilsigtet start af produktet. (Fig. 39) (Fig. 40)
2. Fjern sværdmøtrikkerne og koblingsdækslet, Fjern transportafskærmningen (A). (Fig. 41)
3. Sæt sværdet over sværdboltene. Styr sværdet ind i den bageste position.
4. Tag beskyttelseshandsker til kædesave på.
5. Løft savkæden over drivkædehjulet, og sæt den i indgreb i sporet på sværdet. Start på sværdets overside. (Fig. 42)
6. Sørg for, at æggene på skæreledene vender fremad på sværdets overside.
7. Monter koblingsdækslet, og indsæt kædejusteringstappen i hullet i sværdet.
8. Sørg for, at savkædens drivled sidder perfekt på drivkædehjulet. Sørg også for, at savkæden går korrekt i indgreb i sporet i sværdet.
9. Spænd sværdmøtrikfingeren.
10. Spænd savkæden ved at dreje kædejusteringsskruen med uret med ring- og gaffelnøglen. Spænd savkæden, indtil den ikke hænger slapt under sværdet, men således at den stadig let kan drejes med hånden. (Fig. 43) og (Fig. 44)
11. Hold op i enden af sværdet og spænd sværdmøtrikkerne med ring- og gaffelnøglen. (Fig. 45)
 - Undersøg regelmæssigt kædespændingen efter montering af en ny savkæde og indtil kæden er blevet kørt til.
 - Undersøg kædespændingen regelmæssigt. Korrekt kædespænding giver gode saveresultater og lang levetid.

DRIFT



ADVARSEL: Læs og forstå kapitlet om sikkerhed, før du betjener produktet.

Sådan bruger du brændstof



BEMÆRK: Dette produkt har en totaktsmotor. Brug en blanding af benzin og totaktsmotorolie. Sørg for at anvende den korrekte mængde olie i blandingen. Forkert forhold mellem benzin og olie kan forårsage beskadigelse af motoren.

Sådan laver du brændstofblandingen

1. Fastlæg den korrekte mængde benzin og motorolie (blandingsforhold 50:1). Lav ikke en brændstofblanding til mere end 30 dage. Se *Brændstofblandingsforhold på side 131*.
2. Hæld halvdelen af benzinen i en ren brændstofbeholder med en anti-spildventil.



BEMÆRK: Brug ikke benzin med en ethanolkoncentration på mere end 10 % (E10). Det kan forårsage skader på produktet.

Brændstofblandingsforhold

Brændstofblandingsforholdet for benzin og 2-taktsmotorolie er 50:1 (2 %)

Benzin	Totaktsmotorolie
1 US gal	77 ml (2,6 oz)
1 UK gal.	95 ml (3,2 oz)
5 l	100 ml (3,4 oz)



BEMÆRK: Brug ikke benzin med et oktantal mindre end 90 RON (87 AKI). Det kan forårsage skader på produktet.

Bemærk: Brug aldrig benzin med højere oktantal, hvis du ofte bruger produktet ved et konstant højt motoromdrejningstal.

3. Hæld den fulde mængde 2-taktsmotorolie i brændstofbeholderen.



BEMÆRK: Brug altid luftkølet motorolie med dobbeltcyklus af høj kvalitet. Andre former for olie kan beskadige produktet.

4. Ryst brændstofblandingen for at blande indholdet.
5. Hæld resten af benzinen i brændstofbeholderen.
6. Ryst brændstofblandingen for at blande indholdet.
7. Fyld produktets brændstoftank op med brændstofblandingen. Se *Brændstofblandingsforhold på side 131*.

Sådan fyldes brændstoftanken.

1. Sørg for, at brændstofblandingen er korrekt og at den er i en brændstofbeholder med en anti-spildventil.
2. Fjern det uønskede brændstof og lad beholderen tørre, hvis der er brændstof i beholderen.
3. Sørg for, at området i nærheden af brændstofdækslet er rent.
4. Fjern brændstoftankens dæksel. (Fig. 46)
5. Ryst brændstofdunken, før du fylder brændstofblandingen i brændstoftanken.
6. Sæt brændstoftanken dæksel på igen.

Sådan smøres savkæden

Produktet har et automatisk smøresystem. Sørg for altid at bruge den korrekte kædeolie, og følg vejledningen.

1. Brug vegetabilisk kædeolie eller en standardkædeolie.
2. Sørg for, at området omkring dækslet til savkædeolietanken er rent.
3. Tag dækslet af savkædeolietanken.
4. Fyld savkædeolietanken med den anbefalede savkædeolie.
5. Sæt dækslet på savkædeolietanken.

Før du starter motoren

- Undersøg produktet for manglende, beskadigede, løse eller slidte dele.
- Undersøg møtrikker, skruer og bolte.
- Undersøg luftfilteret.
- Undersøg, om gasreguleringslåsen og gashåndtaget fungerer korrekt.
- Undersøg, om stopkontakten fungerer korrekt.
- Undersøg produktet for brændstoflækager.
- Undersøg savkæden skarphed og spænding.

Sådan starter du en kold motor

1. Flyt kastbeskyttelsen fremefter for at aktivere kædebremsen. (Fig. 47)
2. Træk chokerhåndtaget ud og op.
3. Tryk på spædepumpen 6 gange (Fig. 48)
4. Hold hoveddelen af produktet på jorden med venstre hånd. Træd ikke på produktet. Træk langsomt i startsnorens håndtag, indtil du mærker modstand. Træk derefter kraftigt i startrebets håndtag. (Fig. 49)

Bemærk: Træk ikke i gasreguleringen, mens du starter motoren.

5. Fortsæt med at trække i startrebets håndtag, indtil motoren starter eller forsøger at starte (maks. 3 træk). Hvis motoren starter eller forsøger at starte, skal du skubbe chokerhåndtaget ned. (Fig. 50)



BEMÆRK: Træk ikke i startrebet, indtil det stopper. Slip ikke startrebet, når det er trukket helt ud. Slip startsnoren langsomt. Hvis disse instruktioner ikke følges, kan motoren tage skade.

6. Fortsæt med at trække, indtil motoren starter. Vent 60 sekunder efter en start, før du trækker i gasreguleringen.
7. Træk kastbeskyttelsen tilbage mod det forreste håndtag for at deaktivere kædebremsen.
8. Hold det bageste håndtag med højre hånd og det forreste håndtag med venstre hånd.
9. Brug produktet.

Sådan starter du en varm motor

1. Flyt kastbeskyttelsen fremefter for at aktivere kædebremsen. (Fig. 51)
2. Træk chokerhåndtaget ud og op.
3. Tryk på spædepumpen 6 gange (Fig. 52)
4. Tryk chokerhåndtaget ned. (Fig. 53)
5. Hold hoveddelen af produktet på jorden med venstre hånd. Træd ikke på produktet. Træk langsomt i startsnorens håndtag, indtil du mærker modstand. Træk derefter kraftigt i startsnorens håndtag. (Fig. 54)



BEMÆRK: Træk ikke i startsnoren, indtil den er stoppet. Slip ikke startsnoren, når den er trukket helt ud. Slip startsnoren langsomt. Følg disse instruktioner for at undgå beskadigelse af motoren.

Bemærk: Træk ikke i gasreguleringen, mens du starter motoren.

6. Fortsæt med at trække i startrebets håndtag, indtil motoren starter eller forsøger at starte (maks. 3 træk). Vent 60 sekunder efter en start, før du trækker i gasreguleringen.
7. Træk kastbeskyttelsen bagud i retning af det forreste håndtag for at deaktivere kædebremsen.
8. Hold det bageste håndtag med højre hånd og det forreste håndtag med venstre hånd.
9. Brug produktet.

Sådan startes motoren, når brændstoffet er for varmt

Hvis produktet ikke starter, kan brændstoffet være for varmt.

Bemærk: Brug altid nyt brændstof, og brug produktet i mindre tid i varmt vejr.

1. Sæt produktet et køligt sted i skyggen.
2. Lad det køle af i mindst 20 minutter.
3. Tryk på brændstofpumpen igen og igen i 10-15 sekunder.
4. Følg proceduren for start af kold motor. Se *Sådan starter du en kold motor på side 132*.

Sådan stopper du:

- Tryk på stopkontakten for at standse motoren.

Bemærk: Stopkontakten vender automatisk tilbage til dens oprindelige position.

Sådan bruges en barkstøtte

En barkstøtte forhindrer kast og holder træet, mens der saves. Barkstøtten er et omdrejningspunkt mellem motorhuset og sværdet.

1. Sæt den nederste ende af barkstøtten ved den korrekte hængselbredde.
2. Tryk med venstre hånd mod det forreste håndtag, samtidig med at du løfter det bageste håndtag med højre hånd.
3. Sav, indtil du får den korrekte hængselbredde.

Bemærk: Hængslet skal have en ensartet tykkelse.

4. Sav mere end halvdelen af diameteren, og sæt derefter fældeken i snittet.

Sådan fælder man træer

1. Fjern snavs, sten, løs bark, søm, hæfteklammer og ledning fra træet.
2. Lav en indskæring 1/3 af træets diameter, som er vinkelret i forhold til den retning, træet vil falde i. (Fig. 55)
3. Lav det nederste vandrette indskæringsnit. Det forhindrer fastklemning af savkæden eller sværdet, når den anden indskæring laves.
4. Lav det bageste fældesnit (X) mindst 50 mm højere end det vandrette indskæringsnit. Hold det bageste

fældesnit parallelt med det vandrette indskæringsnit, så der er tilstrækkeligt træ til at udgøre et hængsel. Skær ikke igennem hængslet. Hængslet forhindrer, at træet vrider sig og falder i den forkerte retning. (Fig. 56) og (Fig. 57)

5. Efterhånden som det bageste fældesnit nærmer sig hængslet, begynder træet at falde. Sørg for, at træet falder i den rigtige retning og ikke vipper bagud og klemmer savkæden. Stop med at save, før det bageste fældesnit er komplet, for at undgå dette. Brug kiler af træ, plast eller aluminium til at åbne snittet, og lad træet falde langs den nødvendige faldlinje. (Fig. 58)
6. Fjern produktet fra snittet, når træet begynder at falde. Stop motoren, læg produktet ned og brug den planlagte flugtrute. Pas på nedfaldende grene, og hold øje med, hvor du træder. (Fig. 59)

Sådan afgrenes et træ

1. Brug de større grene til at holde stammen over jorden.
2. Fjern små grene med ét snit. (Fig. 60)
3. Skær grene, som har spænding fra bunden til toppen, af for at undgå klemning af savkæden eller sværdet.

Sådan vendes en stamme



BEMÆRK: Lad ikke savkæden røre jorden.

- Sav fra toppen af stammen (kendt som oversavning), hvis stammen er understøttet i hele dens længde. (Fig. 61)
- Sav 1/3 af diameteren fra under stammen (kendt som undersavning), hvis stammen er understøttet i den ene ende.
- Sav 1/3 af diameteren fra toppen, hvis stammen er understøttet i to ender. Afslut snittet ved at undersøge de nederste 2/3 af stammen for at ramme det første snit. (Fig. 62)
- Ved savning af en stamme på en skråning skal du altid stå på den opadvendte side af stammen. Sav igennem stammen, mens du holder komplet styr over produktet. Udløs derefter savetrykket i nærheden af enden af snittet, samtidig med at du holder godt fast i bageste og forreste håndtag. (Fig. 63)

VEDLIGEHODELSE



ADVARSEL: Læs og forstå sikkerhedskapitlet, før du rengør, reparerer eller udfører vedligeholdelse på produktet.

Vedligeholdelsesskema

Sørg for, at du overholder vedligeholdelsesskemaet. Intervallerne er fastlagt baseret på daglig brug af

produktet. Intervallerne er anderledes, hvis du ikke bruger produktet hver dag. Foretag kun vedligeholdelsesarbejde, som beskrevet i denne vejledning. Snak med et godkendt servicecenter vedrørende yderligere vedligeholdelsesarbejde, som ikke er beskrevet i denne vejledning.

Dagligt eftersyn

- Rengør de udvendige overflader.
 - Sørg for, at udløserlåsen og udløseren fungerer korrekt.
 - Rens kædebremsen, og sørg for, at den fungerer korrekt.
 - Undersøg kædefangeren for skader. Udskift kædefangeren, hvis den er beskadiget.
 - Drej sværdet dagligt for at få mere ensartet slid på det.
 - Sørg for, at smørehullet i sværdet ikke er tilstoppet.
 - Fjern savsmuld og andet uønsket materiale fra under kædehjulets dæksel.
 - Rens sporet i sværdet.
(Fig. 64)
 - Sørg for, at sværdet og savkæden får nok olie.
 - Undersøg savkæden for:
 - Revner i nitter og led.
 - Uregelmæssigt slidte nitter og led.
 - Korrekt spænding.
 - Urenheder på kædens drivled.
- Udskift om nødvendigt savkæden.
- Skarp savkæden. Se *Sådan skærpes savkæden på side 135*.
 - Undersøg drivhjulet for overdreven slitage, og udskift det efter behov.
(Fig. 65)
 - Rengør luftindtaget på motorhuset.
 - Sørg for, at møtrikker og skruer er spændt.
 - Sørg for, at kontakten fungerer korrekt.

Ugentligt eftersyn

- Sørg for, at kølesystemet fungerer korrekt.
- Sørg for, at starteren, startsnoren og returfederen fungerer korrekt.
- Sørg for, at vibrationsisolatorerne ikke er beskadigede.

(Fig. 66)

- Fil eventuelle ujævnheder væk på æggen af sværdet.
- Rengør eller udskift gnistfangerskærmen på lyddæmperen.

(Fig. 67)

- Rengør de udvendige overflader på karburatoren og dens tilstødende områder.
- Rens luftfilteret. Monter et nyt luftfilter, hvis det er beskadiget eller for snavset til at blive fuldstændigt

rengjort. Se *Rengøring af luftfilteret på side 135* for flere oplysninger.

Månedligt eftersyn

- Undersøg bremsebåndet på kædebremsen for slitage. Udskift bremsebåndet, når dets tykkelse er mindre end 0,6 mm på det mest slidte sted.

(Fig. 68)

- Undersøg koblingscentrummet, koblingstromlen og koblingsfjederen for slitage.
- Rens tændrøret. Sørg for, at elektrodeafstanden er korrekt.

(Fig. 69)

- Rengør de udvendige overflader på karburatoren og dens tilstødende områder.
- Undersøg brændstoffilteret og brændstofslangen. Udskift om nødvendigt.
- Tøm brændstoftanken.
- Tøm brændstoftanken.
- Undersøg alle kabler og tilslutninger.

Årlig vedligeholdelse

- Undersøg tændrøret.
- Rengør de udvendige overflader på karburatoren og dens tilstødende områder.
- Rengør kølesystemet.
- Undersøg gnistfangerskærmen.
- Undersøg brændstoffilteret.
- Undersøg brændstofslangen for skader.
- Undersøg alle kabler og tilslutninger.

Periodisk vedligeholdelse

- Få et godkendt serviceværksted til at reparere eller udskifte lyddæmperen efter 50 timers drift.
- Udfør vedligeholdelse på tændrøret i følgende tilfælde:
 - Motorens effektniveau er lavt.
 - Det er svært at starte motoren.
 - Motoren fungerer ikke korrekt i tomgangshastighed.
- Undersøg savkædesmøringen ved hver optankning. Se *Sådan kontrolleres savkædens smøring på side 136*.

Sådan justerer du tomgangshastigheden

Sørg for, at luftfilteret er rent og at luftfilterdækslet er fastgjort, før du justerer tomgangshastigheden.

1. Drej tomgangsjusteringsskruen, som er mærket med et "T", med uret, indtil savkæden begynder at dreje.
2. Drej tomgangsjusteringsskruen, som er mærket med et "T", mod uret, indtil savkæden stopper.
3. Tomgangshastigheden skal være under den hastighed, hvor savkæden begynder at dreje.

Tomgangshastigheden er korrekt, når motoren kører jævnt i alle positioner.

Sådan foretager du vedligeholdelse på gnistfangerskærmen

- Brug en stålbørste til at rengøre gnistfangerskærmen. (Fig. 70)

Sådan foretager du vedligeholdelse på tændrøret



BEMÆRK: Brug det anbefalede tændrør. Sørg for, at reservedelen er den samme som den være, der leveres af producenten. Et forkert tændrør kan medføre skader på produktet.

1. Undersøg tændrøret for uønskede materialer, hvis produktet er svært at starte eller betjene. Sådan mindsker du risikoen for uønsket materiale på tændrørets elektroder:
 - a) sørg for, at tomgangshastigheden er indstillet korrekt.
 - b) sørg for, at brændstofblandingen er korrekt.
 - c) sørg for, at luftfilteret er rent.
2. Rengør tændrøret, hvis det er snavset. Sørg for, at elektrodeafstanden er korrekt. (Fig. 71)
3. Udskift tændrøret, når det er nødvendigt.

Rengøring af luftfilteret

1. Fjern luftfilterdækslet og luftfiltret. (Fig. 72)
2. Rens luftfilteret med varmt sæbevand. Sørg for, at luftfilteret er tørt, før du sætter det i igen.
3. Udskift luftfilteret, hvis det er for beskidt til at rengøres helt. Udskift altid et beskadiget luftfilter.

Sådan skærpes savkæden

Skæreled

Den savende del af savkæden kaldes skæreledet og består af en skæretand (A) og en rytter (B). Højdeafstanden mellem disse bestemmer skæredybden. Dybdemålerindstillingen (C).

(Fig. 73)

Når du skærper en skæretand, skal du huske fire vigtige faktorer:

- Filevinkel.

(Fig. 74)

- Skærevinkel.

(Fig. 75)

- Filestilling.

(Fig. 76)

- Rundfildiameter.

(Fig. 77)

Sådan skærpes skæretænderne

Brug en rundfil og et ryttermål til at skærpe skæretænderne. Se *Savkædefiling og savkædekombinationer på side 138* for oplysninger om de anbefalede mål for filen og filemåleren til den savkæde, der er monteret på dit produkt. (Fig. 78)

1. Sørg for, at savkæden har den korrekte spænding. En kæde med forkert spænding flytter sig til den ene side og skærpes ikke korrekt.
2. Brug filen på alle tænderne på den ene side. Brug derefter filen på skæretænderne fra den indvendige flade, og sænk trykket den modsatte retning.
3. Vend produktet om på den anden side og brug filen på tænderne.
4. Brug filen til at holde alle tænderne i den samme længde. Udskift en slidt savkæde, når skæretændernes længde er faldet til 4 mm.

Sådan justeres dybdemålerindstillingen

Skærp skæretænderne, inden du justerer dybdemålerindstillingen. Se *Sådan skærpes skæretænderne på side 135*. Når du skærper skæretanden (A), mindskes dybdemålerindstillingen (C). For at bevare en optimal skærekapacitet skal dybdemålerindstillingen (B) sænkes til anbefalet niveau. Se *Savkædefiling og savkædekombinationer på side 138* for at finde den korrekte dybdemålerindstilling for din kæde.

(Fig. 79)

(Fig. 80)

Bemærk: Denne anbefaling forudsætter, at skæretændernes længde ikke er blevet fileet unormalt ned.

Brug en fladfil og et dybdemålerværktøj til at justere rytteren.

1. Placer dybdemålerværktøjet over savkæden. Du kan finde yderligere oplysninger om brug af slibeskalaen på pakken.
2. Læg fladfilen over den overskydende del af dybdemåleren, og fil overskuddet væk. Dybdemålerindstillingen er korrekt, når der ikke føles nogen modstand, når filen trækkes over slibeskalaen.

Sådan strammes savkæden

Bemærk: Kontroller regelmæssigt en ny savkædes spænding i indkøringsperioden.

1. Løsn sværdmøtrikkerne, der holder kædehjulsdækslet. Brug ring- og gaffeløglen. (Fig. 81)

- Spænd sværdmøtrikkerne med hånden, så hårdt du kan.
- Løft toppen af sværdet og forlæng savkæden ved at spænde kædejusteringsskruen. Brug ring- og gaffelnøglen. Stram savkæden, indtil den ikke længere hænger ned under undersiden af sværdet. (Fig. 82)
- Spænd sværdmøtrikkerne med ring- og gaffelnøglen, samtidig med at toppen af sværdet løftes. (Fig. 83)
- Sørg for, at du kan trække savkæden frit rundt med hånden, og at den ikke hænger ned. (Fig. 84)

Sådan smøres skæreudstyret

Sådan kontrolleres savkædens smøring

Lav en kontrol af savkædens smøring ved hver optankning.

- Start produktet og lad det køre på 3/4 hastighed. Ret spidsen af sværdet mod en lys overflade i en afstand af ca. 20 cm.
- Efter 1 minuts kørsel vil der være en streg af olie på den lyse overflade.
- Hvis der ikke er en oliestreg efter 1 minut, skal oliekanalen i sværdet rengøres. Rengør sporet på sværdets æg. Sørg for, at sværdspidsens kædehjul går let og at der ikke er forhindringer i smørehullet. Rengør og smør spidsens kædehjul.
- Start produktet og lad det køre på 3/4 hastighed. Ret spidsen af sværdet mod en lys overflade i en afstand af ca. 20 cm.
- Efter 1 minuts kørsel vil der være en streg af olie på den lyse overflade.
- Tal med din autoriserede forhandler, hvis der ikke er en oliestreg efter 1 minut.

TRANSPORT

- Tøm brændstof- og kædeolietanken inden transport. Bortskaf brugte væsker korrekt.
- Sæt sværddækslet over skæreudstyret under transporten. Det forhindrer personer i at røre den skarpe savkæde ved et uheld. En savkæde, der ikke betjenes, kan forårsage personskade hos dig og andre, der kommer til at røre en skarp savkæde.
- Fjern tændrørshætten fra tændrøret og aktivér kædebremsen før transport.
- Sørg for, at produktet ikke kan bevæge sig under transporten.

OPBEVARING

- Sæt altid produktet væk, når det ikke er i drift. Lækager og dampe fra produktet kan komme i kontakt med gnister, åben ild fra elektrisk udstyr, elektriske plæneklippere, relæer/afbrydere, kedler og meget mere.
- Opbevar altid brændstof i en godkendt beholder.
- Tøm brændstof- og kædeolietanken, når produktet skal opbevares i en længere periode. Bortskaf brugte væsker korrekt.
- Sæt sværddækslet over sværdet under opbevaring. Det forhindrer personer i at røre den skarpe savkæde ved et uheld. En savkæde, der ikke betjenes, kan forårsage alvorlig personskade hos dig og andre, der kommer til at røre en skarp savkæde.
- Fjern tændrørshætten fra tændrøret og aktivér kædebremsen før opbevaring.

TEKNISKE DATA

	enhed	130 (H13038HV)	135 Mark II (H13038HV)
Motorspecifikationer			
Cylindervolumen	cm ³	38	38
Tændrør	-	NGK BPMR 7A	NGK BPMR 7A
Elektrodeafstand	mm (tommer)	0,5 (0,02)	0,5 (0,02)
Brændstoftankvolumen	cm ³	350	350
Tomgangshastighed	min ⁻¹	2800-3200	2800-3200

	enhed	130 (H13038HV)	135 Mark II (H13038HV)
Udgangseffekt ved 9000 min ⁻¹	kW	1,5	1,6
Emissionsholdbarhedstid	t	125	125
Støj- og vibrationsoplysninger			
Ækvivalent vibrationsniveau (ahv, eq) venstre håndtag ⁴¹	m/s ²	3,72	3,72
Ækvivalent vibrationsniveau (ahv, eq) højre håndtag ⁴²	m/s ²	5,5	5,5
Lydeffektniveau, garanteret (L _{WA}) ⁴³	dB(A)	116	116
Lydeffektniveau, målt ⁴⁴	dB(A)	114	114
Lydtrykniveau ved brugerens øre ⁴⁵	dB(A)	102	102
Produktmål			
Vægt (uden skæreudstyr)	kg	4,68 (10,3)	4,68 (10,3)
Olietankvolumen	cm ³	260	260
Brændstof-/smøresystem			
Oliepumpekapacitet ved 9000 min ⁻¹	ml/min	9	9
Type af oliepumpe	-	Automatisk	Automatisk
Savkæden og sværdet			
Standardsværdlængde	cm (tommer)	35-40 (14-16)	35-40 (14-16)
Anbefalet sværdlængde	cm (tommer)	35-40 (14-16)	35-40 (14-16)
Anvendelig skærelængde	cm (tommer)	33-38 (13-15)	33-38 (13-15)
Maks. savkædehastighed	m/sek.	22,3	22,3
Savkædedeling	mm (tommer)	9,52 (3/8)	9,52 (3/8)
Tykkelse på drivled (rytter)	mm (tommer)	1,3 (0,050)	1,3 (0,050)
Drivkædehjulstype	-	Spur	Spur

⁴¹ Ækvivalent vibrationsniveau beregnes som den tidsvægtede energisum for vibrationsniveauer under forskellige betjeningsforhold. Rapporterede data for ækvivalent vibrationsniveau har en typisk statistisk spredning (standardafvigelse) på 1,5 m/s².

⁴² Ækvivalent vibrationsniveau beregnes som den tidsvægtede energisum for vibrationsniveauer under forskellige betjeningsforhold. Rapporterede data for ækvivalent vibrationsniveau har en typisk statistisk spredning (standardafvigelse) på 1,5 m/s².

⁴³ Støjemissioner til omgivelserne, målt som lydeffekt (L_{WA}).

⁴⁴ Støjemissioner til omgivelserne, målt som lydeffekt (L_{WA}).

⁴⁵ Ækvivalent lydtrykniveau beregnes som den tidsvægtede energisum for forskellige lydtrykniveauer under forskellige betjeningsforhold. Typisk statistisk spredning for et ækvivalent lydtrykniveau er en standardafvigelse på 2,5 dB(A).

	enhed	130 (H13038HV)	135 Mark II (H13038HV)
Antal tænder på drivkædehjul	-	6	6

TILBEHØR

Kombinationer af sværd og savkæde

Sværd				Savkæde	
Længde	Deling	Ryttermål	Maks. antal tænder, næsehjul	Type	Længde, drivled (stk.)
14"	3/8"	0,050"	7T	Husqvarna H37	52
16"				Husqvarna S93G	56

Savkædefiling og savkædekombinationer

Kædetype	Run- dfilstørrelse	Sideplade- vinkel	Topplade- vinkel	Filestyrvin- kel	Rytterind- stilling	Rytter, var- enr.	Filemål, varenr.
H37, S93G	5/32". 4,0 mm	80°	30°	0°	0,025/0,65	5056981-03	5052437-01

INDHOLD I EF-OVERENSSTEMMELSESERKLÆRING

Vi, Husqvarna AB, SE 561 82 Huskvarna, SVERIGE, erklærer under eget ansvar, at det repræsenterede produkt:

Beskrivelse	Benzinkædesav
Mærke	Husqvarna
Platform / type / model	Platform H13038HV repræsenterer 130, 135 Mark II
Batch	Serienumre fra 2018 og fremefter

overholder følgende EU-direktiver og bestemmelser:

Direktiv/bestemmelser	Beskrivelse
2006/42/EF	"angående maskiner"
2014/30/EU	"angående elektromagnetisk kompatibilitet"
2000/14/EF	"vedrørende udendørs støj"
2011/65/EU	"begrænsning af anvendelsen af visse farlige stoffer"

Harmoniserede standarder og/eller tekniske specifikationer anvendt er som følger: EN ISO 12100, EN ISO 11681-1, CISPR 12, ISO 14982

I overensstemmelse med direktiv 2000/14/EF, bilag V, er de erklærede lydverdier angivet i afsnittet om tekniske data i denne manual og i den underskrevne EU-overensstemmelseserklæring.

TÜV Rheinland LGA Products GmbH, bemyndiget organ for maskiner (bemyndiget i henhold til 0197), Tillystraße 2 - 90431 Nürnberg, Tyskland, udførte en EF-typegodkendelse i overensstemmelse med 2006/42/EF, artikel 12, pkt. 3b.

Typegodkendelsescertifikatet, i overensstemmelse med bilag IX, som findes i den underskrevne overensstemmelseserklæring, gælder for alle produktionssteder og oprindelseslande, som angivet på produktet.

Kædesaven er i overensstemmelse med det produkt, der er godkendt i henhold til EF-typegodkendelse.

Sisältö

JOHDANTO.....	140	KULJETTAMINEN.....	150
TURVALLISUUS.....	141	SÄILYTYS.....	150
ASENNUS.....	145	TEKNISET TIEDOT.....	150
KÄYTTÖ.....	145	LISÄVARUSTEET.....	152
KUNNOSSAPITO.....	147	EU:N VAATIMUSTENMUKAISUUSVAKUUTUS.....	152

JOHDANTO

Käyttöohjekirja

Tämän käyttöohjekirjan alkuperäiskieli on englanti. Muunkieliset käyttöohjekirjat ovat käännöksiä englannista.

Yleiskatsaus

(Kuva 1)

1. Sylinterin kotelo
2. Polttoainepumppu
3. Tuote- ja sarjanumerokilpi
4. Huomio- ja varoitustarra
5. Pysäytin
6. Takakahva
7. Polttoainesäiliö
8. Käynnistysköyden kahva
9. Käynnistyslaitteen kotelo
10. Kaatosuuntamerkki
11. Ketjuöljysäiliö
12. Etukahva
13. Takapotkusuojuksella varustettu ketjujarru
14. Äänenvaimennin
15. Teräketju
16. Kärkipyörä
17. Terälevy
18. Teräketjun kireydensäättöruuvi (130)
19. Teräketjun kireydensäättöruuvi (135 Mark II)
20. Kuoritikki
21. Ketjusieppo
22. Kytkinkotelo
23. Rystyssuojus
24. Turvaliipaisin
25. Turvaliipaisimen varmistin
26. Terälevyn suojus
27. Yhdistelmätyökalu
28. Käyttöohjekirja

Laitteen symbolit

(Kuva 2) Varoitus

(Kuva 3) Lue tämä käyttöohjekirja.

Käytä hyväksyttyä kypärää, kuulonsuojaimia ja silmäsuojaimia.

(Kuva 4) Käytä hyväksyttyjä suojakäsineitä.

(Kuva 5) Laitte täyttää voimassa olevien EY-direktiivien vaatimukset.

(Kuva 6) Äänitehotaso

(Kuva 7) Ketjujarru, ei kytketty (vasen). Ketjujarru, kytketty (oikea).

(Kuva 8) Rikastimen ohjain

(Kuva 9) Polttoainepumppu

(Kuva 10) Polttoaineen lisääminen

(Kuva 11) Teräketjuöljyn täyttö

(Kuva 12) Tämä laite täyttää voimassa olevien EAC-direktiivien vaatimukset

(Kuva 13) Tämä laite täyttää voimassa olevien Ukrainan direktiivien vaatimukset

(Kuva 14) Tämä laite täyttää voimassa olevien Korean direktiivien vaatimukset

(Kuva 15) Tämä laite täyttää voimassa olevien Japanin direktiivien vaatimukset

(Kuva 16) Äänitaso

(Kuva 17) Pidä laitteesta tukevasti kiinni kummallakin kädellä

(Kuva 18) Älä käytä laitetta yhdellä kädellä

(Kuva 19) Varo osumasta terälevyn kärkeen

(Kuva 20) Varo takapotkua

Tämä laite täyttää voimassa olevien Australian ja Uuden-Seelannin sähkömagneettista yhteensopivuutta

(Kuva 22) koskevien direktiivien vaatimukset.

Ehdotus 65

(Kuva 23)

EU V



VAROITUS: Moottorin muokkaaminen mitätöi tuotteen EU-tyyppihyväksynnän.

Tuotevastuu

Tuotevastuulain mukaisesti emme ole vastuussa tuotteen aiheuttamasta vaurioista, jos

Huomautus: Muita laitteen symboleita/tarroja tarvitaan muilla markkina-alueilla ilmaisemaan sertifiointivaatimuksia.

- tuote on korjattu virheellisesti
- tuotteen korjaamiseen on käytetty muita kuin valmistajan omia tai sen hyväksymiä osia
- tuotteessa on muu kuin valmistajan oma tai sen hyväksymä lisävaruste
- tuotetta ei ole korjattu valtuutetussa huoltopisteessä tai hyväksytyllä asiantuntijalla.

TURVALLISUUS

Turvallisuusmääritelmät

Oheiset määritelmät kertovat huomiosanojen vakavuustason.



VAROITUS: Henkilövahinko.



HUOMAUTUS: Laitevaurio.

Huomautus: Nämä tiedot helpottavat laitteen käyttöä.

Yleiset turvaohjeet

- Käytä laitetta oikein. Virheellinen käyttö voi aiheuttaa tapaturman tai kuoleman. Käytä laitetta vain tässä käyttöohjekirjassa esitettyihin tehtäviin. Älä käytä laitetta muihin tehtäviin.
- Lue ja sisäistä tämän käyttöoppaan sisältämät ohjeet ja noudata niitä. Noudata turvallisuussymboleita ja turvaohjeita. Jos käyttäjä ei noudata ohjeita ja symboleita, seurauksena voi olla vamma, vaurio tai kuolema.
- Älä hävitä tätä käyttöohjekirjaa. Noudata laitteen asennusta, käyttöä ja kunnossapitoa koskevia ohjeita. Asenna lisälaitteet ja lisävarusteet oikein ohjeiden mukaisesti. Käytä vain hyväksytyjä lisälaitteita ja lisävarusteita.
- Älä käytä vaurioitunutta laitetta. Noudata huoltokaaviota. Tee vain sellaisia huoltotoimia, joita koskevat ohjeet löytyvät tästä käyttöohjekirjasta. Valtuutetun huoltopisteen on tehtävä kaikki muut huoltotyöt.

- Tämä käyttöohjekirja ei voi sisältää kaikkia laitteen käyttöön liittyviä tilanteita. Ole varovainen ja käytä tervettä järkeä. Älä käytä laitetta tai huolla sitä, jos et ole varma tilanteesta. Kysy ohjeita laitteen asiantuntijalta, jälleenmyyjältä, huolto-likkeestä tai valtuutetusta huoltopisteestä.
- Irrota sytytystulpan johto ennen laitteen asentamista, säilytykseen siirtämistä tai huoltoa.
- Älä käytä laitetta, jos sen alkuperäisiä ominaisuuksia on muutettu. Älä muuta edes osaa laitteesta ilman valmistajan lupaa. Käytä vain valmistajan hyväksymiä osia. Virheellinen huolto voi aiheuttaa tapaturman tai kuoleman.
- Älä hengitä moottorin kaasuja. Moottorin pakokaasujen, ketjuöljysumun ja saranapurun pitkäaikainen hengittäminen voi olla terveydelle vaarallista.
- Älä käynnistä laitetta sisätiloissa tai lähellä herkästi syttyvää materiaalia. Pakokaasut ovat kuumia ja voivat sisältää kipinöitä, jotka voivat aiheuttaa tulipalon. Jos ilmanvirtaus ei ole riittävä, tukehtuminen tai hiilimonoksidin hengittäminen voi aiheuttaa vamman tai kuoleman.
- Laite muodostaa käytön aikana sähkömagneettisen kentän. Sähkömagneettinen kenttä voi vaurioittaa lääketieteellisiä implantteja. Neuvottele lääkärin ja lääketieteellisen implantin valmistajan kanssa, ennen kuin käytät konetta.
- Älä anna lasten käyttää laitetta.
- Älä anna kenenkään sellaisen henkilön käyttää laitetta, joka ei tunne ohjeita.
- Valvo aina laitetta käyttävää henkilöä, jonka fyysiset tai psyykkiset taidot ovat heikentyneet. Vastuullisen aikuisen on oltava aina paikalla.
- Lukitse laite paikkaan, johon lapset ja asiattomat henkilöt eivät pääse.

- Laite voi saada esineitä sinkoutumaan ja aiheuttaa näin vammoja. Noudata turvaohjeita tapaturmien tai kuoleman vaaran ehkäisemiseksi.
- Älä poistu laitteen luota, kun moottori on käynnissä. Sammuta moottori ja varmista, ettei ketju pyöri.
- Laitteen käyttäjä on vastuussa, jos tapahtuu onnettomuus.
- Varmista ennen laitteen käyttämistä, ettei osissa ole vaurioita.
- Noudata kansallisia ja paikallisia lakeja. Ne voivat estää laitteen käytön tai rajoittaa sitä joissakin olosuhteissa.

Turvallisuusohjeet käyttöä varten

- Laitteen jatkuva tai säännöllinen käyttö voi aiheuttaa valkosormisuutta tai vastaavia tärinän aiheuttamia terveydellisiä ongelmia. Tutki käsiesi ja sormiesi kunto, jos käytät konetta jatkuvasti tai säännöllisesti. Käännä välittömästi lääkärin puoleen, jos käsissäsäi tai sormissasi esiintyy värinmuutoksia, kipua, kihelmöintiä tai ne puuttuvat tai eivät toimi.
- Varmista ennen laitteen käyttämistä, että se on valmiiksi koottu.
- Laite voi saada esineitä sinkoutumaan, mikä voi vahingoittaa silmiä. Käytä aina hyväksytyjä silmäsuojaimia, kun käytät laitetta.
- Ole varovainen laitetta käyttäessäsi, sillä lapsi voi tulla laitteen lähelle huomaamattasi.
- Älä käytä laitetta, jos työskentelyalueella on ihmisiä. Sammuta laite, jos työskentelyalueelle tulee ihminen.

(Kuva 24)

- Varmista, että laite on aina hallinnassasi.
- Laitetta on käytettävä kahdella kädellä. Älä pitele laitetta yhdellä kädellä käytön aikana. Jos sahaa käytetään yhdellä kädellä, seurauksena voi olla vakavia vammoja käyttäjälle, työntekijöille ja/tai sivullisille.
- Pidä kiinni etukahvasta vasemmalla kädellä ja takakahvasta oikealla kädellä. Pidä laitetta kehon oikealla puolella.

(Kuva 25)

- Älä käytä laitetta ollessasi väsynyt tai sairas tai jos olet alkoholin tai muiden huumausainien vaikutuksen alaisena.
- Älä käytä laitetta, jos et voi saada apua onnettomuuden sattuessa. Ennen käytön aloittamista kerro muille aikovasi käyttää laitetta.
- Älä käännä laitteen kanssa, ennen kuin olet varmistanut, ettei turva-alueella ole ihmisiä tai eläimiä.
- Poista kaikki ylimääräiset materiaalit työskentelyalueelta ennen aloittamista. Jos ketju osuu esineeseen, esine voi sinkoutua ja aiheuttaa vamman tai vaurion. Teräslaitteen ympärille voi kiertyä ei-toivottua materiaalia, mikä voi aiheuttaa vaurion.
- Älä käytä laitetta huonolla säällä (kuten sumussa, sateessa, kovassa tuulessa, ukkosella tai muissa

sääolosuhteissa). Huono sää voi aiheuttaa vaaratilanteita kuten liukastumisvaaran.

- Varmista, että pystyt liikkumaan vapaasti ja työskentelemään tukevassa asennossa.
- Varmista, ettei voi kaatua, kun käytät laitetta. Älä kallistu, kun käytät laitetta.
- Pidä laitetta aina molemmin käsin. Pidä kiinni etukahvasta vasemmalla kädellä ja takakahvasta oikealla kädellä. Pidä laitetta kehon oikealla puolella.
- Jos rikastinvipu on rikastusasennossa, kun moottori käynnistyy, ketju alkaa pyöriä.
- Sammuta moottori ennen laitteen siirtämistä.
- Älä laske laitetta maahan, kun moottori on käynnissä.
- Pysäytä moottori ennen kuin poistat ylimääräiset materiaalit laitteesta. Anna terän pysähtyä ennen leikkuujätteen poistamista.
- Älä käytä laitetta ylhäällä puussa. Laitteen käyttö ylhäällä puussa voi johtaa henkilövahinkoon.

(Kuva 26)

- Ketjujarrun on oltava kytkettynä, kun laite käynnistetään. Tämä vähentää riskiä osua teräketjuun käynnistyksen aikana.

(Kuva 27)

- Vältä takapotkua, liu'utusta, pipytystä ja pudotusta, joista voi seurata vakavia vahinkoja.
- Noudattamalla kaikkia turvallisuusohjeita vältät laitteen takapotkun ja muut voimat, jotka voisivat johtaa vakavaan vahinkoon.
- Säädä sahan teräketjun kireys säännöllisesti varmistaaksesi, että teräketju ei roiku. Roikkuva ketju voi irrota ja aiheuttaa vakavan tapaturman tai kuoleman.
- Älä kaada puita väärällä menetelmällä. Väärin kaatuva puu voi aiheuttaa henkilö- tai omaisuusvahinkoja tai osua sähköjohtoon.
- Käyttäjän on pysyttävä ylärinteen puolella, sillä puu pyörii todennäköisemmin alamäkeen kaadon jälkeen.

(Kuva 28)

- Suunnittele ja raivaa pakoreitti ennen sahausken aloittamista. Pakoreitin on suuntauduttava takaviistoon oletetusta kaatumislinjasta.

(Kuva 29)

- Sammuta moottori aina ennen kuin siirät tuotetta puiden välissä.
- Varmista, että jalkasi ovat tukevasti maassa ja painosi jakautuu tasaisesti.

(Kuva 30)

- Pidä aina kunnollinen jalansija, ja käytä laitetta vain seistessäsi kiinteällä, turvallisella ja tasaisella pinnalla. Liukkaat tai epätasaiset pinnat, kuten tikkaat, voivat aiheuttaa tasapainon tai hallinnan menettämisen.

(Kuva 31)

Takapotku, liu'utus, hypytys ja pudotus

Eri voimat saattavat vaikuttaa laitteen turvalliseen käyttöön.

- **Liu'utus** tarkoittaa terälevyn nopeaa liikkumista puun läpi.
- **Hypytys** tarkoittaa terälevyn toistuvaa nousemista pois leikkausurasta ja osumista siihen sen jälkeen uudestaan.
- **Pudotus** tarkoittaa laitteen putoamista maahan sahausksen jälkeen. Tämän seurauksena liikkuva terä saattaa osua kehoon tai muihin esineisiin ja aiheuttaa vamman tai vahingon.
- **Takapotku** tarkoittaa laitteen liikahtamista taakse, ylös tai äkillisesti eteen, kun terälevyn pääty osuu esineeseen. Takapotku voi myös aiheuttaa leikkausuran sulkeutumisesta, jolloin ketju puristuu uran sisälle. Jos laite osuu johonkin puun sisällä, käyttäjä saattaa menettää sen hallinnan. (Kuva 32)
- **Pyörivä takapotku** voi tapahtua, kun liikkuva teräketju koskettaa esinettä terälevyn yläosassa. Kosketuksen seurauksena teräketju voi kaivautua esineeseen, jolloin se pysähtyy välittömästi. Tuloksena on erittäin nopea käänteinen liike, joka siirtää terälevyn ylös ja taaksepäin käyttäjää kohti. (Kuva 33)
- **Puristuva takapotku** voi esiintyä, jos teräketju pysähtyy äkillisesti kesken sahausksen. Leikkausura sulkeutuu ja puristaa liikkuvan teräketjun leikkausuran sisään terälevyn yläpäästä. Teräketjun äkillinen pysähtyminen aiheuttaa sahausvoiman kääntymisen, jolloin laite liikkuu vastakkaiseen suuntaan kuin teräketju. Laite liikkuu taaksepäin kohti käyttäjää. (Kuva 34)
- **Sisäänveto** voi tapahtua, kun teräketju pysähtyy äkillisesti, kun liikkuva terä koskettaa sahattavan puun sisällä olevaa esinettä terälevyn alaosassa. Äkillinen pysähtyminen vetää moottorisahaan eteenpäin ja käyttäjästä pois päin, jolloin käyttäjä voi helposti menettää sahan hallinnan. (Kuva 35)

Varmista ennen tuotteen käyttämistä, että ymmärrät kaikki sahauskseen liittyvät voimat ja osaat ehkäistä niitä. Katso *Takapotkun, liu'utuksen, hypytyksen ja pudotuksen välttäminen sivulla 143*.

Takapotkun, liu'utuksen, hypytyksen ja pudotuksen välttäminen

- Pidä laitteesta tiukasti kiinni, kun moottori on käynnissä. Aseta oikea käsi takakahvalle ja vasen käsi etukahvalle. Kierrä peukalot ja sormet tiukasti kahvan ympärille. Älä päästä irti.
- Pidä laite hallinnassasi sahausksen aikana ja puun kaatumisen jälkeen. Älä anna laitteen painon pudottaa laitetta sahausksen jälkeen.

- Varmista, että sahattavassa kohdassa ei ole esteitä. Älä anna terälevyn kärjen osua tukkiin, oksaan tai muuhun esteeseen kun käytät laitetta. (Kuva 36)
- Sahaa suurilla moottorin nopeuksilla.
- Älä kurota tai sahaa olkapäiden yläpuolelta. (Kuva 37)
- Noudata teräketjun valmistajan teroitus- ja huolto-ohjeita.
- Käytä ainoastaan valmistajan määrittämiä varaterälevyjä ja -ketjuja.
- Liian suuri syvyydensäätöasetus lisää teräketjun takapotkuallituttua.

Henkilökohtainen suojarustus

- Käytä aina oikeanlaista henkilökohtaista suojarustusta, kun käytät laitetta. Henkilökohtainen suojarustus vähentää mahdollisen vahingon aiheuttamien vammojen vakavuutta, mutta se ei poista vammojen mahdollisuutta.
- Älä käytä löysiä vaatteita, jotka saattavat jäädä kiinni teräketjuun.
- Käytä hyväksytyttä suojakypärää.
- Käytä aina hyväksytyttä kuulonsuojaimia, kun käytät laitetta. Pitkäkestoinen melu voi aiheuttaa kuulovaurioita.
- Käytä suojalaseja tai kasvovisiiriä, jotta sinkoavien kappaleiden aiheuttamia vahinkoriski olisi pienempi. Laite saattaa lennättää sahanpuruja, pieniä puunpaloja ja vastaavan kaltaisia kappaleita. Ne voivat aiheuttaa vakavia vahinkoja muun muassa silmille.
- Käytä viiltosuojattuja käsineitä.
- Käytä viiltosuojattuja housuja.
- Käytä viiltosuojalla, teräksisellä varvasuojalla ja luistamattomalla pohjalla varustettuja saappaita.
- Varmista, että lähistöllä on ensiapupakkaus.
- Äänenvaimentimesta, terälevystä ja teräketjusta tai muista lähteistä saattaa syntyä kipinöitä. Pidä aina palosammutusvälineet ja lapio lähistöllä metsäpalojen ehkäisemiseksi.

Laitteen turvalaitteet

- Älä käytä laitetta, jos turvalaitteet ovat vaurioituneet. Jos laitteessa on vaurioita, ota yhteyttä valtuutettuun huoltopisteeseen.

Pysäyttimen tarkistaminen

1. Käynnistä moottori. Katso *Ennen moottorin käynnistämistä sivulla 146*.
2. Varmista, että moottori on sammuu, kun siirrä pysäyttimen pysäytysasentoon.

Kaasuliipaisimen varmistimen tarkistaminen

1. Varmista, että turvaliipaisin (B) on lukittu joutokäynnillä, kun vapautat turvaliipaisimen varmistimen (A) (Kuva 38).

2. Paina turvaliipaisimen varmistinta (A) ja varmista, että se palautuu lähtöasentoonsa, kun se vapautetaan.
3. Paina turvaliipaisinta (B) ja varmista, että se palautuu lähtöasentoonsa, kun se vapautetaan.
4. Käynnistä moottori ja käytä täyttä kaasua.
5. Vapauta kaasuliipaisin ja tarkista, pysähtyykö teräketju.
6. Jos teräketju pyörii, kun kaasuliipaisin on joutokäyntiasennossa, tarkista kaasuttimen joutokäyntiruuvi.

Suojus

Suojus estää esineitä sinkoutumasta käyttäjää kohti. Lisäksi suojus estää teräketjua osumasta käyttäjään vahingossa.

- Varmista, että suojusta saa käyttää yhdessä laitteen kanssa.
- Älä käytä laitetta ilman suojusta.
- Varmista, ettei suojus ole vaurioitunut. Vaihda suojus uuteen, jos se on kulunut tai siinä on halkeamia.

Polttoaineturvallisuus

- Älä käynnistä laitetta, jos sen päällä on polttoainetta tai moottoriöljyä. Poista ylimääräinen polttoaine tai öljy ja anna laitteen kuivua. Poista ylimääräinen polttoaine laitteesta.
- Jos olet läikyttänyt polttoainetta vaatteillesi, vaihda vaatteet heti.
- Varo, ettei iholle pääse polttoainetta, sillä se voi aiheuttaa vamman. Jos ihollesi joutuu polttoainetta, pese se pois vedellä ja saippualla.
- Älä käynnistä moottoria, jos läikytät öljyä tai polttoainetta laitteen päälle tai yllesi.
- Älä käynnistä laitetta, jos moottori vuotaa. Tarkista moottori säännöllisesti vuotojen varalta.
- Käsittele polttoainetta varoen. Polttoaine on syttyvää ja kaasut ovat räjähdysherkkiä, mikä voi aiheuttaa tapaturman tai kuoleman.
- Älä hengitä polttoainehöyryjä, sillä ne voivat aiheuttaa vamman. Varmista, että ilmanvirtaus on riittävä.
- Älä tupakoi polttoaineen tai moottorin lähistöllä.
- Älä sijoita lämpimiä esineitä polttoaineen tai moottorin lähelle.
- Älä lisää polttoainetta, kun moottori on käynnissä.
- Varmista ennen polttoaineen lisäämistä, että moottori on jäähtynyt.
- Ennen kuin lisäät polttoainetta, avaa polttoainesäiliön korkki hitaasti ja vapauta paine varovasti.
- Älä lisää polttoainetta moottoriin sisätallassa. Jos ilmanvirtaus ei ole riittävä, tukehtuminen tai hiilimonoksidin hengittäminen voi aiheuttaa vamman tai kuoleman.

- Kiristä polttoainesäiliön korkki varovasti tulipalon vaaran vuoksi.
- Siirrä laite ennen käynnistämistä vähintään 3 metrin (10 ft) päähän paikasta, jossa täytit säiliön.
- Älä lisää säiliöön liikaa polttoainetta.
- Varmista, ettei polttoainetta pääse vuotamaan, kun liikutat laitetta tai polttoainekannua.
- Älä sijoita laitetta tai polttoainekannua paikkaan, jossa on avotulta, kipinöitä tai sytytysliekkejä. Varmista, ettei säilytyspaikassa ole avotulta.
- Käytä vain hyväksytyjä kannuja polttoaineen siirtämiseen tai säilyttämiseen.
- Tyhjennä polttoainesäiliö ennen pitkäaikaista säilytystä. Noudata paikallista polttoaineen hävittämistä koskevaa lakia.
- Puhdista laite ennen pitkäaikaista säilytystä.
- Irrota sytytystulpan johto ennen laitteen siirtämistä säilytykseen moottorin tahattoman käynnistymisen estämiseksi.

Turvaohjeet huoltoon varten

- Irrota sytytystulppa aina ennen laitteen huoltoa paitsi kaasuttimen säädön yhteydessä.
- Teetä kaikki huollot valtuutetulla jälleenmyyjällä, paitsi toimenpiteet, jotka on mainittu kohdassa *KUNNOSSAPITO sivulla 147*.
- Varmista, että teräketju pysähtyy, kun kaasuliipaisin vapautetaan.
- Pidä kahvat kuivina ja puhtaina öljystä ja polttoaineesta.
- Pidä huoli, että korkit ja muut kiinnittimet on kunnolla kiristetty.
- Muiden kuin valmistajan hyväksymien varaosien käyttö tai turvalaitteiden poisto saattaa vaurioittaa tuotetta. Se saattaa myös aiheuttaa vammoja käyttäjälle ja sivullisille. Käytä ainoastaan suositeltuja lisävarusteita ja varaosia. Älä tee laitteeseen muunnoksia.
- Pidä teräketju terävänä ja puhtaana turvallisen ja tehokkaan käytön takaamiseksi.
- Noudata voitelua ja lisävarusteiden vaihtoa koskevia ohjeita.
- Tarkista laite viallisten osien varalta. Varmista, että vaurioitunut suojus tai osa toimii oikein ennen kuin jatkat tuotteen käyttöä. Tutki laite rikkiinisten tai väärin kohdistettujen osien varalta sekä tarkista, että kaikki osat pääsevät liikkumaan vapaasti. Tutki laite kaikkien muiden sen toimintaan mahdollisesti vaikuttavien olosuhteiden osalta. Varmista, että laite on asennettu oikein. Suojus tai muu vaurioitunut osa on korjattava tai vaihdettava valtuutetulla jälleenmyyjällä, ellei käyttöohjeessa toisin mainita.
- Kun laitetta ei käytetä, säilytä sitä kuivassa ja korkeassa tai lukitussa tilassa poissa lasten ulottuvilta.
- Laitteen kuljetuksen tai säilytyksen aikana käytä terälevyn suojusta tai koteloa laitetta liikutettaessa.

- Älä käytä jätteöljyä. Jäteöljy on vahingollista ja se voi vahingoittaa sinua, laitetta ja ympäristöä.

ASENNUS



VAROITUS: Lue ja sisäistä turvallisuutta käsittelevä luku ennen laitteen asentamista.

Terälevyn ja teräketjun asennus

1. Poista sytytystulpan suojus sytytystulpasta asennuksen ajaksi tahattoman käynnistyksen estämiseksi. (Kuva 39) (Kuva 40)
2. Irrota terämutterit ja kytkinkotelo. Irrota kuljetussuoja (A). (Kuva 41)
3. Aseta terälevy teräpulttien päälle. Ohjaa terälevy sen kaikkein takimmaiseen asentoon.
4. Käytä viiltosuojaakäsineitä.
5. Nosta teräketju ketjupyörän päälle ja aseta se terälevyn ohjausuraan. Aloita terälevyn yläreunasta. (Kuva 42)
6. Varmista, että hammaslenkkien teräsärmät ovat eteenpäin terälevyn yläpuolella.
7. Asenna kytinkotelo ja ohjaa ketjun kiristystappi terälevyn loveen.
8. Varmista, että teräketjun vetolenkit asettuvat oikein ketjupyörään. Tarkista myös, että teräketju on asetettu oikein terälevyn ohjausuraan.
9. Kiristä terälevyn mutterit sormin.
10. Kiristä teräketjua kääntämällä ketjun kiristysruuvia myötäpäivään yhdistelmäavaimella. Kiristä teräketjua, kunnes se ei enää roiku löysällä terälevyn alla, vaan voit helposti pyöritellä sitä käsin. (Kuva 43) ja (Kuva 44)
11. Nosta terälevyn päätyä ja kiristä terämutterit yhdistelmäavaimella. (Kuva 45)
 - Tarkasta ketjun kireys usein uuden teräketjun asentamisen jälkeen aina siihen saakka kunnes teräketju on ajettu sisään.
 - Tarkasta ketjun kireys säännöllisesti. Ketjun asianmukainen kireys takaa hyvän sahaustehon ja pitkän käyttöiän.

KÄYTTÖ



VAROITUS: Lue ja sisäistä turvallisuutta käsittelevä luku ennen laitteen käyttämistä.

Polttoaineen käyttö



HUOMAUTUS: Tässä laitteessa on kaksitahtimoottori. Käytä bensiinin ja kaksitahtimoottoriöljyn seosta. Varmista, että seoksessa on oikea määrä öljyä. Bensiinin ja öljyn väärä suhde voi aiheuttaa moottorivaurion.

Polttoaineseoksen suhde

Polttoaineseoksen suhde bensiinin ja kaksitahtimoottoriöljyn välillä on 50:1 (2 %).

Bensiini	Kaksitahtimoottoriöljy
1 gallona (US)	77 ml (2,6 oz)
1 gallona (UK)	95 ml (3,2 oz)
5 l	100 ml (3,4 oz)

Polttoaineseoksen valmistus

1. Määritä bensiinin ja moottoriöljyn oikea suhde (sekoitussuhde 50:1) Tee polttoaineseosta vain 30

päiväksi kerrallaan. Katso *Polttoaineseoksen suhde sivulla 145*.

2. Lisää puolet bensiinin määrästä puhtaaseen, ylityttösuojalla varustettuun polttoainekannuun.



HUOMAUTUS: Älä käytä bensiiniä, jonka etanolipitoisuus (E10) on yli 10 prosenttia. Se voi vaurioittaa laitetta.



HUOMAUTUS: Älä käytä bensiiniä, jonka oktaaniluku on pienempi kuin 90 RON (87 AKI). Se voi vaurioittaa laitetta.

Huomautus: Käytä bensiiniä, jonka oktaaniluku on suurempi, jos käytät laitetta usein jatkuvasti suurella moottorin käyntinopeudella.

3. Lisää koko kaksitahtimoottoriöljymäärä polttoainekannuun.



HUOMAUTUS: Käytä aina laadukasta ilmajäähdytettyä kaksitahtimoottoriöljyä. Muut öljyt voivat vaurioittaa laitetta.

4. Sekoita polttoaineseos ravistamalla.
5. Lisää loput bensiinistä polttoainekannuun.
6. Sekoita polttoaineseos ravistamalla.
7. Täytä laitteen polttoainesäiliö polttoaineseoksella. Katso *Polttoaineseoksen suhde sivulla 145*.

Polttoainesäiliön täyttö

1. Varmista, että polttoaineseos on asianmukainen ja että se on ylitäyttösuojalla varustetussa polttoainekannussa.
2. Jos kannussa on polttoainetta, poista se ja anna kannun kuivua.
3. Varmista, että polttoainesäiliön korkin alue on puhdas.
4. Poista polttoainesäiliön korkki. (Kuva 46)
5. Ravista polttoainekannua, ennen kuin lisäät polttoaineseosta polttoainesäiliöön.
6. Laita polttoainesäiliön korkki takaisin.

Teräketjun voitelu

Laitteessa on automaattinen voitelujärjestelmä. Käytä vain oikeanlaista teräketjuöljyä ja noudata ohjeita.

1. Käytä kasvipohjaista teräketjuöljyä tai tavallista ketjuöljyä.
2. Varmista, että teräketjuöljysäiliön korkin läheinen alue on puhdas.
3. Poista teräketjuöljysäiliön korkki.
4. Täytä teräketjuöljysäiliö suositellulla teräketjuöljyllä.
5. Laita teräketjuöljysäiliön korkki takaisin paikoilleen.

Ennen moottorin käynnistämistä

- Tarkista laite puuttuvien, vaurioituneiden, löystyneiden tai kuluneiden osien varalta.
- Tarkista mutterit, ruuvit ja pultit.
- Tarkista ilmansuodatin.
- Tarkista turvaliipaisimen varmistimen ja kaasuliipaisimen asianmukainen toiminta.
- Tarkista pysäyttimen asianmukainen toiminta.
- Tarkista laite polttoaineuotojen varalta.
- Tarkista teräketjun terävyys ja kireys.

Kylmän moottorin käynnistys

1. Kytke ketjujarru siirtämällä takapotkusuojusta eteenpäin. (Kuva 47)
2. Vedä rikastinvipu ulos ja ylös.
3. Paina polttoainepumppua 6 kertaa. (Kuva 48)
4. Paina laitteen runkoa maata vasten vasemmalla kädellä. Älä astu laitteen päälle. Vedä käynnistysnarun kahvaa hitaasti, kunnes tunnet vastuksen. Vedä sitten käynnistysnarun kahvaa voimakkaasti. (Kuva 49)

Huomautus: Älä vedä turvaliipaisinta moottorin käynnistykseen aikana.

5. Vedä käynnistysnarun kahvaa, kunnes moottori käynnistyy tai yrittää käynnistyä (enintään kolme vetoa). Jos moottori käynnistyy tai yrittää käynnistyä, paina rikastinvipu alas. (Kuva 50)



HUOMAUTUS: Älä vedä käynnistysnarua, kun se on pysähtynyt. Älä irrota otetta käynnistysnarusta, kun se on täysin ulkona. Vapauta käynnistysnarua hitaasti. Näiden ohjeiden laiminlyönti voi aiheuttaa moottorivaurion.

6. Jatka vetämistä, kunnes moottori käynnistyy. Odota 60 sekuntia käynnistymisen jälkeen, ennen kuin vedät turvaliipaisinta.
7. Vapauta ketjujarru vetämällä takapotkusuojus kohti etukahvaa.
8. Pidä kiinni takakahvasta oikealla kädellä ja etukahvasta vasemmalla kädellä.
9. Käytä laitetta.

Lämpimän moottorin käynnistys

1. Kytke ketjujarru siirtämällä takapotkusuojusta eteenpäin. (Kuva 51)
2. Vedä rikastinvipu ulos ja ylös.
3. Paina polttoainepumppua 6 kertaa. (Kuva 52)
4. Paina rikastinvipu alas. (Kuva 53)
5. Paina laitteen runkoa maata vasten vasemmalla kädellä. Älä astu laitteen päälle. Vedä käynnistysnarun kahvaa hitaasti, kunnes tunnet vastuksen. Vedä sitten käynnistysnarun kahvaa voimakkaasti. (Kuva 54)



HUOMAUTUS: Älä vedä käynnistysnarua ennen kuin se on pysähtynyt. Älä irrota otetta käynnistysnarusta, kun se on täysin ulkona. Vapauta käynnistysnarua hitaasti. Noudata näitä ohjeita moottorivaurion välttämiseksi.

Huomautus: Älä vedä turvaliipaisinta moottorin käynnistykseen aikana.

6. Vedä käynnistysnarun kahvaa, kunnes moottori käynnistyy tai yrittää käynnistyä (enintään kolme vetoa). Odota 60 sekuntia käynnistymisen jälkeen, ennen kuin vedät turvaliipaisinta.
7. Vapauta ketjujarru vetämällä takapotkusuojus taaksepäin kohti etukahvaa.
8. Pidä kiinni takakahvasta oikealla kädellä ja etukahvasta vasemmalla kädellä.
9. Käytä laitetta.

Moottorin käynnistäminen polttoaineen ollessa liian kuumaa

Jos laite ei käynnisty, polttoaine saattaa olla liian kuumaa.

Huomautus: Käytä aina uutta polttoainetta ja vähennä työskentelyaikaa lämpimällä säällä.

1. Aseta laite viileään paikkaan pois suorasta auringonvalosta.
2. Anna laitteen jäähtyä vähintään 20 minuutin ajan.
3. Paina polttoainepumpua jatkuvasti 10–15 sekunnin ajan.
4. Noudata kylmän moottorin käynnistysmenettelyä. Katso *Kylmän moottorin käynnistys sivulla 146*.

Sammuttaminen

- Sammuta moottori painamalla pysäytintä.

Huomautus: Pysäytin palaa automaattisesti lähtöasentoonsa.

Kuorituen käyttö

Kuorituki ehkäisee takapotkuja ja pitää puun paikallaan sahausajan aikana. Kuorituki toimii tappina moottorirungon ja terälevyn välissä.

1. Aseta kuorituen alaosa oikeaan pitopuun leveyteen.
2. Paina vasemmalla kädellä etukahvaa vasten, kun nostat oikealla kädellä takakahvaa.
3. Saha, kunnes saavutat oikean pitopuun leveyden.

Huomautus: Pitopuun on oltava tasapaksu.

4. Sahaa yli puolet halkaisijasta ja aseta kaatokiila sahauskohtaan.

Puun kaataminen

1. Poista lika, kivet, irtokaarna, naulat, niitit ja langat puusta.
2. Sahaa puuhun lovi, joka on 1/3 puun halkaisijasta, kohtisuoraan kaatosuuntaan. (Kuva 55)
3. Sahaa alempi vaakalovi. Tämä estää teräketjun tai terälevyn puristumisen toista lovea tehtäessä.
4. Tee kaatosahaus (X) vähintään 50 mm vaakaloven yläpuolelle. Tee kaatosahaus saman suuntaisesti kuin vaakalovi, jotta tarpeeksi puuta jää pitopuuksi.

KUNNOSSAPITO



VAROITUS: Lue ja sisäistä turvallisuutta käsittelevä luku ennen laitteen puhdistamista, korjaamista tai huoltamista.

Huoltokaavio

Muista noudattaa huoltokaaviota. Välit on laskettu laitteen päivittäisen käytön perusteella. Ne ovat erilaiset, jos et käytä laitetta joka päivä. Tee vain tästä käyttöohjekirjasta löytyvät huoltotyöt. Ota yhteyttä

Älä sahaa pitopuun läpi. Pitopuun ansiosta puu ei käänny eikä kaadu väärään suuntaan. (Kuva 56) ja (Kuva 57)

5. Kun kaatosahaus osuu lähelle pitopuuta, puu alkaa kaatua. Varmista, että puu pääsee kaatumaan oikeaan suuntaan ja ettei se heilu taaksepäin tai purista teräketjua. Vältä tämä lopettamalla sahaus ennen kuin kaatosahaus on valmis. Käytä puu-, muov- tai alumiinikaatokiiloja sahauskohdan avaamiseen ja anna puun kaatua haluttua kaatumislinjaa pitkin. (Kuva 58)
6. Kun puu alkaa kaatua, poista laite sahauskohdasta. Pysäytä moottori, aseta laite maahan ja lähde pois suunniteltua pakoreittitä pitkin. Varo puusta putoavia oksia ja katso, mihin astut. (Kuva 59)

Puun karsinta

1. Käytä isompia oksia puun pitämiseen ylhäällä maasta.
2. Poista pienet oksat yhdellä leikkauksella. (Kuva 60)
3. Leikkaa puuta ylhäällä pitelevät oksat alhaalta ylöspäin, jolloin teräketju tai terälevy ei jää puristuksiin.

Tukin sahaaminen



HUOMAUTUS: Älä anna teräketjun koskettaa maata.

- Jos tukki on tuettu koko sen pituudelta, sahaa tukin yläpuolelta. (Kuva 61)
- Jos tukki on tuettu vain toisesta päästä, sahaa 1/3 halkaisijan mitalta tukin alapuolelta.
- Jos tukki on tuettu molemmista päistä, sahaa 1/3 halkaisijan mitalta tukin yläpuolelta. Viimeistele sahaus sahaamalla tukin alta 2/3, kunnes sahauskohdat kohtaavat. (Kuva 62)
- Jos sahaat rinteessä, seiso aina sahattavan puun yläpuolella. Pidä moottorisaha koko sahausajan täydessä hallinnassasi. Paina sahaa vähemmän leikkua loppupuolella ja pidä tiukasti kiinni etu- ja takakahvoista. (Kuva 63)

valtuutettuun huoltopisteeseen muiden, tästä käyttöohjekirjasta puuttuvien huoltotöiden osalta.

Päivittäiset toimenpiteet

- Puhdista ulkopinnat.
- Varmista, että liipaisin varmistin ja liipaisin toimivat oikein.
- Puhdista ketjujarru ja tarkista, että se toimii oikein.
- Tarkista ketjusieppo vaurioiden varalta. Vaihda ketjusieppo, jos se on vaurioitunut.

- Käännä terälevy päivittäin, jotta se kuluu tasaisemmin.
- Varmista, että terälevyn voitelureikä ei ole tukossa.
- Poista sahanpuru ja muu ylimääräinen materiaali ketjupyörän suojan alta.
- Puhdista terälevyn ohjausura. (Kuva 64)
- Varmista, että terälevy ja teräketju saavat tarpeeksi öljyä.
- Tarkista teräketjusta:
 - onko niiteissä ja lenkeissä säröjä
 - ovatko niitit ja lenkit kuluneet epätasaisesti
 - onko kireys oikea
 - onko vetolenkeissä kierrettä.

Vaihda teräketju tarvittaessa.

- Teroita teräketju. Katso *Teräketjun teroittaminen sivulla 149*.
- Tarkasta, ettei ketjupyörä ole liian kulunut, ja vaihda se tarvittaessa. (Kuva 65)
- Puhdista moottorikotelon ilmanottoaukko.
- Varmista, että kaikki ruuvit ja mutterit on kiristetty.
- Tarkista, että virtakatkaisin toimii.

Viikoittaiset toimenpiteet

- Tarkista, että jäähdytysjärjestelmä toimii oikein.
- Varmista, että käynnistyslaite, käynnistysnaru ja palautusjousi toimivat oikein.
- Tarkista, etteivät tärinänvaimentimet ole vioittuneet.

(Kuva 66)

- Viilaa kierteet pois terälevyn sivuilta.
- Puhdista tai vaihda äänenvaimentimen kipinäverkko.

(Kuva 67)

- Puhdista kaasuttimen ulkopinnat ja ympäristö.
- Puhdista ilmansuodatin. Jos ilmansuodatin on vahingoittunut tai liian likainen puhdistettavaksi, vaihda tilalle uusi. Katso lisäohjeita osiosta *Ilmansuodattimen puhdistaminen sivulla 149*.

Kuukausittaiset toimenpiteet

- Tarkasta ketjujarrun jarruhinnan kuluminen. Vaihda, kun jarruhinnan paksuus on vähemmän kuin 0,6 mm (0,024 tuumaa) eniten kuluneessa kohdassa.

(Kuva 68)

- Tarkasta kytkinkeskiön, kytkinrummun ja kytkinjousen kuluminen.
- Puhdista sytytystulppa. Tarkista, että kärkiväli on oikea.

(Kuva 69)

- Puhdista kaasuttimen ulkopinnat ja ympäristö.
- Tarkasta polttoainesuodatin ja polttoaineletku. Vaihda tarvittaessa.
- Tyhjennä polttoainesäiliö.

- Tyhjennä öljysäiliö.
- Tarkista kaikki kaapelit ja liitännät.

Vuosihuolto

- Tarkista sytytystulppa.
- Puhdista kaasuttimen ulkopinnat ja ympäristö.
- Puhdista jäähdytysjärjestelmä.
- Tarkista kipinäverkko.
- Tarkista polttoainesuodatin.
- Tarkista polttoaineletku vaurioiden varalta.
- Tarkista kaikki kaapelit ja liitännät.

Ajoittainen huolto

- Anna valtuutetun huoltopisteen korjata tai vaihtaa äänenvaimennin 50 käyttötunnin jälkeen.
- Huolla sytytystulppa kun:
 - moottorin tehotosa on alhainen.
 - moottorin käynnistäminen on hankalaa.
 - moottori ei toimi oikein joutokäyntinopeudella.
- Tarkasta teräketjuvoitelu aina tankkauksen yhteydessä. Katso *Teräketjuvoitelun tarkistaminen sivulla 149*.

Joutokäyntinopeuden säätö

Varmista, että ilmansuodatin on puhdas ja ilmansuodattimen kansi kiinnitetty, ennen kuin säädät joutokäyntinopeutta.

1. Käännä joutokäyntiruuvia, jossa on merkintä "T", myötäpäivään, kunnes teräketju alkaa pyöriä.
2. Käännä joutokäyntiruuvia, jossa on merkintä "T", vastapäivään, kunnes teräketju pysähtyy.
3. Joutokäyntinopeuden on oltava pienempi kuin käyntinopeuden, jolla teräketju alkaa pyöriä. Joutokäyntinopeus on oikea, kun moottori käy tasaisesti kaikilla asennoilla.

Kipinäverkon kunnossapito

- Puhdista kipinäverkko teräsharjalla. (Kuva 70)

Sytytystulpan kunnossapito



HUOMAUTUS: Käytä suositeltua sytytystulppaa. Varmista, että uusi osa on samanlainen kuin valmistajan toimittama osa. Väärä sytytystulppa voi aiheuttaa laitevaurion.

1. Jos laitetta ei ole helppo käynnistää tai käyttää, tarkista onko sytytystulpanna ylimääräistä materiaalia. Ehkäise ylimääräisen materiaalin joutuminen sytytystulpan elektrodihin seuraavasti:
 - a) Varmista, että joutokäyntinopeus on säädetty oikein.
 - b) Varmista, että polttoaineseos on oikea.
 - c) Varmista, että ilmansuodatin on puhdas.

2. Puhdista sytytystulppa, jos se on likainen. Tarkista, että kärkiväli on oikea. (Kuva 71)
3. Vaihda sytytystulppa tarvittaessa.

Ilmansuodattimen puhdistaminen

1. Irrota ilmansuodattimen kansi ja ilmansuodatin. (Kuva 72)
2. Pese ilmansuodatin lämpimällä saippuavedellä. Varmista ennen asentamista, että ilmansuodatin on kuiva.
3. Vaihda ilmansuodatin, jos se on liian likainen, eikä sitä saa täysin puhtaaksi. Vaurioitunut ilmansuodatin on aina vaihdettava.

Teräketjun teroittaminen

Leikkain

Teräketjun leikkaavaa osaa kutsutaan hammaslenkiksi ja sen osat ovat leikkuuhammas (A) ja säätöhammas (B). Leikkaimen sahausvyvyys määräytyy näiden kahden korkeuden välisestä erosta, ja sitä kutsutaan syvydensäätöasetukseksi (C).

(Kuva 73)

Leikkuuhampaan teroituksessa on otettava huomioon neljä mittaa:

- Viilauskulma.

(Kuva 74)

- Leikkuukulma.

(Kuva 75)

- Viilan asento.

(Kuva 76)

- Pyöröviilan halkaisija.

(Kuva 77)

Leikkuuhampaiden teroitus

Käytä pyöröviilaa ja viilanhjainta leikkuuhampaiden teroitukseen. Katso laitteessasi olevaan teräketjuun sopivan viilan ja viilanhjaimen kokoa koskevat lisätiedot luvusta *Teräketjun teroittaminen ja teräketjun yhdistelmät sivulla 152*.

(Kuva 78)

1. Varmista, että teräketju on oikein kiristetty. Jos ketjua ei ole kiristetty oikein, se siirtyy toiselle puolelle eikä teroitu kunnolla.
2. Viilaa kaikki hampaat toiselta puolelta. Viilaa sitten leikkuuhampaat sisäpuolelta ja kevennä otetta paluuvendon aikana.
3. Käännä laite toisin päin ja viilaa hampaat.
4. Viilaa kaikki hampaat yhtä pitkiksi. Vaihda kulunut teräketju, kun leikkuuhampaiden pituus on alle 4 mm.

Syvyysasetuksen muokkaaminen

Teroita leikkuuhampaat ennen kuin asetat syvyyden. Katso *Leikkuuhampaiden teroitus sivulla 149*. Kun leikkuuhammasta (A) teroitetaan, syvyysasetus (C) pienenee. Parhaimman leikkuutehon säilyttämiseksi säätöhammas on säädettävä alas niin, että saavutetaan suositeltu syvyysasetus. Katso luku *Teräketjun teroittaminen ja teräketjun yhdistelmät sivulla 152* teräsi oikean syvyysasetuksen määrittämiseksi.

(Kuva 79)

(Kuva 80)

Huomautus: Tämä suositus edellyttää, ettei kouruhampaita ole viilattu poikkeuksellisen lyhyiksi.

Käytä syvyyden säätöön lattaviilaa ja syvydensäätötyökalu.

1. Aseta syvydensäätötyökalu teräketjun päälle. Ohjeita viilausohjaimen käytöstä löytyy pakkauksesta.
2. Hio lattaviilalla pois liika materiaali säätöhampaan ylityöntyvistä osasta. Korkeusero on oikea, kun viilaa ohjaimen yli vedettäessä ei tunnu lainkaan vastusta.

Teräketjun kiristäminen

Huomautus: Tarkista uuden teräketjun kireys usein sen sisäänajoajakson aikana.

1. Avaa terälevyn mutterit, joilla kärkipyörän kansi on kiinnitetty paikalleen. Käytä yhdistelmäavainta. (Kuva 81)
2. Kiristä terälevyn mutterit käsin niin tiukalle kuin voit.
3. Nosta terälevyn yläosaa ja pidennä teräketjua kiristämällä ketjun kiristysruuvia. Käytä yhdistelmäavainta. Kiristä teräketjua, kunnes se ei enää riipu löysällä terälevyn alapuolella. (Kuva 82)
4. Kiristä terälevyn mutterit yhdistelmäavaimella ja nosta terälevyn kärkeä samaan aikaan. (Kuva 83)
5. Varmista, että pystyt vetämään teräketjua helposti käsin eikä se roiku. (Kuva 84)

Terävarustuksen voitelu

Teräketjuvoitelun tarkistaminen

Tarkasta teräketjuvoitelu aina tankkauksen yhteydessä.

1. Käynnistä laite ja anna sen käydä 3/4 nopeudella. Tähtää terälevyn kärki kohti vaaleaa pintaa ja pidä se noin 20 cm:n etäisyydellä.
2. Kun laitetta on käytetty minuutin ajan, vaalealle pinnalle ilmestyy öljyvana.
3. Jos et näe öljyvanaa minuutin jälkeen, puhdista terälevyn öljykanava. Puhdista terälevyn sivulla oleva ura. Varmista, että terälevyn kärkipyörä pyörii vapaasti ja että voitelureiässä ei ole tukoksia. Puhdista ja voitele kärkipyörä.

4. Käynnistä laite ja anna sen käydä 3/4 nopeudella. Tähtää levyn kärki kohti vaaleaa pintaa ja pidä se noin 20 cm:n etäisyydellä.
5. Kun laitetta on käytetty minuutin ajan, vaalealle pinnalle ilmestyy öljyvana.
6. Jos et näe öljyvanaa minuutin jälkeen, kysy neuvoa valtuutetulta jälleennyjältä.

KULJETTAMINEN

- Tyhjennä polttoaine- ja ketjuöljysäiliö ennen kuljetusta. Hävitä käytetyt nesteet asianmukaisesti.
- Laita terälevyn suojus terälaitteen päälle kuljetuksen ajaksi. Näin kukaan ei pääse osumaan vahingossa terävään teräketjuun. Terävä teräketju voi aiheuttaa vamman osuessaan henkilöön myös silloin, kun kone ei ole käytössä.
- Poista sytytystulpan suojus sytytystulpasta ja kytke ketjujarru ennen kuljetusta.
- Varmista, ettei tuote pääse liikkumaan kuljetuksen aikana.

SÄILYTYS

- Säilytä laitetta aina turvallisessa paikassa, kun sitä ei käytetä. Laitteesta tulevat vuodot ja höyryt saattavat joutua kosketuksiin esimerkiksi kipinöiden, sähkölaitteesta tulevan avotulen, sähköruohonleikkureiden, releiden/kytkinten tai lämmityskattiloiden kanssa.
- Säilytä polttoainetta aina siihen erityisesti tarkoitetussa säiliössä.
- Tyhjennä polttoaine- ja ketjuöljysäiliöt, kun tuote varastoidaan pitkäksi ajaksi. Hävitä käytetyt nesteet asianmukaisesti.
- Kun laite varastoidaan, aseta terälevyn suojus terälevyyn. Näin kukaan ei pääse osumaan vahingossa terävään teräketjuun. Terävä teräketju voi aiheuttaa vakavan vamman osuessaan henkilöön myös silloin, kun kone ei ole käytössä.
- Poista sytytystulpan suojus sytytystulpasta ja kytke ketjujarru ennen varastointia.

TEKNISET TIEDOT

	Yksikkö	130 (H13038HV)	135 Mark II (H13038HV)
Mootorin tiedot			
Sylinteritilavuus	cm ³	38	38
Sytytystulppa	—	NGK BPMR 7A	NGK BPMR 7A
Kärkiväli	mm (tuu- maa)	0,5 (0,02)	0,5 (0,02)
Polttoainesäiliön tilavuus	cm ³	350	350
Joutokäyntinopeus	min ⁻¹	2 800–3 200	2 800–3 200
Lähtöteho 9 000 min	kW	1,5	1,6
Päästöjen kestoajakso	h	125	125
Ääni- ja värinätiedot			
Vastaava värinätaso (ahv, eq) vasen kahva ⁴⁶	m/s ²	3,72	3,72

⁴⁶ Vastaava värinätaso lasketaan värinätasojen aikapainotteisena energiasummana eri käyttöolosuhteissa. Ilmoitetuilla tiedoilla vastaavasta värinätasosta tyypillinen tilastollinen hajonta (vakiopoikkeama) on 1,5 m/s².

	Yksikkö	130 (H13038HV)	135 Mark II (H13038HV)
Vastaava värinätaso (ahv, eq) oikea kahva ⁴⁷	m/s ²	5,5	5,5
Äänentehotaso, taattu (L _{WA}) ⁴⁸	dB(A)	116	116
Äänentehotaso, mitattu ⁴⁹	dB(A)	114	114
Äänenpainetaso käyttäjän korvan tasalla ⁵⁰	dB(A)	102	102
Tuotteen mitat			
Paino (ilman terävarustusta)	kg	4,68 (10,3)	4,68 (10,3)
Öljysäiliön tilavuus	cm ³	260	260
Polttoaine-/voitelujärjestelmä			
Öljysäiliön kapasiteetti 9 000 min	ml/min	9	9
Öljypumpun tyyppi	—	Automaattinen	Automaattinen
Teräketju ja terälevy			
Terälevyn vakiopituus	cm (tuumaa)	35–40 (14–16)	35–40 (14–16)
Terälevyn suositeltu pituus	cm (tuumaa)	35–40 (14–16)	35–40 (14–16)
Tehokas leikkuupituus	cm (tuumaa)	33–38 (13–15)	33–38 (13–15)
Teräketjun maksiminopeus	m/s	22,3	22,3
Teräketjun jako	mm (tuumaa)	9,52 (3/8)	9,52 (3/8)
Vetolenkkien paksuus (säätötyökalu)	mm (tuumaa)	1,3 (0,050)	1,3 (0,050)
Ketjupyörän tyyppi	—	Spur	Spur
Ketjupyörän hampaiden lukumäärä	—	6	6

⁴⁷ Vastaava värinätaso lasketaan värinätasojen aikapainotteisena energiasummana eri käyttöolosuhteissa. Ilmoitetuilla tiedoilla vastaavasta värinätasosta tyypillinen tilastollinen hajonta (vakiopoikkeama) on 1,5 m/s².

⁴⁸ Melupäästöt ympäristöön äänentehona (L_{WA}).

⁴⁹ Melupäästöt ympäristöön äänentehona (L_{WA}).

⁵⁰ Vastaava äänenpainetaso lasketaan eri äänenpainetasojen aikapainotteisena energiasummana eri käyttöolosuhteissa. Tyypillinen ekvivalentin äänenpainetason tilastollinen hajonta on 2,5 dB(A):n vakiopoikkeama.

LISÄVARUSTEET

Terälevyn ja teräketjun yhdistelmät

Terälevy				Teräketju	
Pituus	Jako	Uraveveys	Kärkipyörän hampaiden maks. lkm	Tyyppi	Pituus, vetolenkit (kpl)
14 in	3/8 in	0,050 in	7T	Husqvarna H37	52
16 in				Husqvarna S93G	56

Teräketjun teroittaminen ja teräketjun yhdistelmät

Teräketjun tyyppi	Pyöröviilan koko	Sivulevyn kulma	Ylälevyn kulma	Viilainohjaimen kulma	Syvyyden asetus	Syvyyden-säätötyökäulun osanro	Viilaohjaimen osanro
H37, S93G	5/32 in 4,0 mm	80°	30°	0°	0,025 / 0,65	5056981-03	5052437-01

EU:N VAATIMUSTENMUKAISUUSVAKUUTUS

Husqvarna AB, SE 561 82 Huskvarna, RUOTSI, vakuuttaa täten, että oheinen tuote:

Kuvaus	Bensiinikäyttöinen moottorisaha
Tuotemerkki	Husqvarna
Alusta / Tyyppi / Malli	Alusta H13038HV, edustaa mallia 135 Mark II
Erä	Sarjanumero 2018 alkaen

vastaa täysin seuraavien EU:n direktiivien ja asetusten vaatimuksia:

Direktiivi/asetus	Kuvaus
2006/42/EY	Konedirektiivi
2014/30/EU	EMC-direktiivi
2000/14/EY	Melupäästädirektiivi
2011/65/EU	Tiettyjen vaarallisten aineiden käytön rajoittamisesta annettu direktiivi

Asiassa sovelletaan seuraavia yhdenmukaistettuja standardeja ja/tai teknisiä määräyksiä: EN ISO 12100, EN ISO 11681-1, CISPR 12, ISO 14982

Ilmoitetut meluarvot on annettu direktiivin 2000/14/EY liitteen V mukaisesti tämän käyttöohjekirjan teknisissä tiedoissa sekä allekirjoitetussa EU:n vaatimustenmukaisuusvakuutuksessa.

TÜV Rheinland LGA Products GmbH, Konedirektiivin ilmoitettu laitos (ilmoitettu 0197), Tillystraße 2 - 90431 Nürnberg, Saksa, on suorittanut EY-tyyppitarkastuksen direktiivin 2006/42/EY artiklan 12, kohdan 3b mukaisesti.

Allekirjoitetussa vaatimustenmukaisuusvakuutuksessa ilmoitettu liitteen IX mukainen tyyppitarkastussertifikaatti pätee kaikkiin valmistuspaikkoihin ja -maihiin tuotteessa ilmoitettujen tietojen mukaisesti.

Kyseinen moottorisaha vastaa EY-tyyppitarkastettua sahaa.

ÍNDICE

INTRODUÇÃO.....	153	TRANSPORTE.....	164
SEGURANÇA.....	154	ARMAZENAMENTO.....	164
MONTAGEM.....	158	ESPECIFICAÇÕES TÉCNICAS.....	165
UTILIZAÇÃO.....	159	ACESSÓRIOS.....	166
MANUTENÇÃO.....	161	CONTEÚDO DA DECLARAÇÃO DE CONFORMIDADE DA UE.....	166

INTRODUÇÃO

Manual do utilizador

O idioma inicial deste manual do utilizador é o Inglês.
Os manuais do utilizador em outros idiomas são traduções do Inglês.

Revisão geral

(Fig. 1)

1. Cobertura do cilindro
2. Bomba de combustível
3. Placa de tipo e número de série
4. Autocolante de informação e aviso
5. Interruptor de paragem
6. Punho traseiro
7. Depósito de combustível
8. Punho do cabo de arranque
9. Caixa do dispositivo de arranque
10. Marca direccionadora de abate.
11. Depósito de óleo da corrente
12. Punho dianteiro
13. Travão de corrente com protector anti-retrocesso
14. Silenciador
15. Corrente da serra
16. Roleto
17. Barra guia
18. Parafuso esticador da corrente (130)
19. Parafuso esticador da corrente (135 Mark II)
20. Apoio para casca
21. Retentor de corrente
22. Cobertura da embraiagem
23. Protector da mão direita
24. Acelerador
25. Bloqueio do acelerador
26. Cobertura da lâmina guia
27. Ferramenta múltipla
28. Manual do utilizador

Símbolos no produto

(Fig. 2) Aviso

(Fig. 3) Leia este manual

(Fig. 4) Utilize proteção aprovada para a cabeça, protetores acústicos e proteção ocular

(Fig. 5) Utilize luvas de proteção aprovadas

(Fig. 6) O produto está em conformidade com as diretivas CE aplicáveis

(Fig. 7) Nível de potência sonora

(Fig. 8) Travão da corrente, não engatado (lado esquerdo). Travão da corrente, engatado (lado direito)

(Fig. 9) Controlo do estrangulador

(Fig. 10) Bomba de combustível

(Fig. 11) Reabastecimento de combustível

(Fig. 12) Enchimento com óleo de corrente

(Fig. 13) Este produto está em conformidade com as diretivas EAC aplicáveis

(Fig. 14) Este produto está em conformidade com as diretivas aplicáveis da Ucrânia

(Fig. 15) Este produto está em conformidade com as diretivas aplicáveis da Coreia

(Fig. 16) Este produto está em conformidade com as diretivas aplicáveis do Japão

(Fig. 17) Nível de ruído

(Fig. 18) Segure firmemente o produto com as duas mãos

(Fig. 19) Não utilize apenas com uma mão

(Fig. 20) Evite o contacto com a extremidade da lâmina-guia

(Fig. 21) Cuidado com o retrocesso

(Fig. 22) Este produto está em conformidade com as diretivas de compatibilidade eletromagnética aplicáveis da Austrália e da Nova Zelândia.

Proposta 65

(Fig. 23)

UE V



ATENÇÃO: A adulteração do motor anula a aprovação deste produto pela UE.

Responsabilidade pelo produto

Como referido nas leis de responsabilidade pelo produto, não somos responsáveis por danos causados pelo nosso produto se:

- o produto tiver sido incorretamente reparado.
- o produto tiver sido reparado com peças que não sejam do fabricante ou que não sejam aprovadas pelo fabricante.
- o produto tiver um acessório que não seja do fabricante ou que não seja aprovado pelo fabricante.
- o produto não tiver sido reparado por um centro de assistência autorizado ou por uma autoridade aprovada.

SEGURANÇA

Definições de segurança

As definições abaixo indicam o nível de gravidade para cada palavra do sinal.



ATENÇÃO: Ferimentos pessoais.



CUIDADO: Danos no produto.

Nota: Esta informação facilita a utilização do produto.

Instruções de segurança gerais

- Utilize o produto corretamente. Ferimentos ou morte são resultados possíveis de utilização incorreta. Utilize apenas o produto para as tarefas descritas neste manual. Não utilize o produto para outras tarefas.
- Certifique-se de que lê, compreende e segue as instruções presentes neste manual. Respeite as instruções e os símbolos de segurança. Ferimentos, danos ou morte são um resultado possível se o operador não respeitar as instruções e os símbolos.
- Não elimine este manual. Utilize as instruções para montar, para operar e para manter o seu produto em bom estado. Utilize as instruções para a instalação correta de acessórios. Utilize apenas acessórios aprovados.

- Não utilize um produto danificado. Respeite o esquema de manutenção. Realize apenas tarefas de manutenção descritas neste manual. Todas as outras tarefas de manutenção têm de ser realizadas por um centro de assistência autorizado.
- Este manual não pode incluir todas as situações que podem ocorrer quando utiliza o produto. Seja cuidadoso e use o seu senso comum. Não opere o produto nem realize tarefas de manutenção se não tiver a certeza acerca da situação. Fale com um especialista do produto, o seu concessionário, oficina autorizada ou centro de assistência autorizado para obter informações.
- Desligue o cabo da vela de ignição antes de montar o produto, de o armazenar ou de realizar tarefas de manutenção.
- Não utilize o produto se este for alterado da sua especificação inicial. Não altere uma parte do produto sem a aprovação do fabricante. Utilize apenas peças que sejam aprovadas pelo fabricante. Ferimentos ou morte são resultados possíveis de manutenção incorreta.
- Não respire os gases do motor. A inspiração prolongada dos gases de escape do motor, da névoa do óleo de corrente ou do serrim pode constituir um risco para a saúde.
- Não arranque o produto em locais fechados ou nas proximidades de material inflamável. Os gases de escape são quentes e podem conter faíscas que podem causar incêndios. O fluxo de ar insuficiente pode causar ferimentos ou morte por asfixia ou inalação de monóxido de carbono.
- Este produto emite um campo eletromagnético durante o funcionamento. O campo eletromagnético

pode causar danos a implantes médicos. Consulte o seu médico e o fabricante do implante antes de utilizar este produto.

- Não deixe uma criança utilizar o produto.
- Não deixe que o produto seja utilizado por uma pessoa que não conhece as instruções.
- Monitorize sempre a utilização do produto por pessoas com diminuição da capacidade física ou mental. Tem de estar sempre presente um adulto responsável.
- Bloqueie o produto numa área à qual crianças e pessoas sem autorização não tenham acesso.
- O produto pode projetar objetos e causar ferimentos. Respeite as instruções de segurança para diminuir o risco de ferimentos ou morte.
- Não se afaste do produto quando o motor estiver ligado. Pare o motor e certifique-se de que a corrente não roda.
- O operador do produto é responsável caso ocorra um acidente.
- Certifique-se de que as peças não estão danificadas antes de utilizar o produto.
- Consulte as leis nacionais ou locais. Podem impedir ou diminuir o funcionamento do produto em algumas condições.

Instruções de segurança para funcionamento

- O funcionamento contínuo ou regular do produto pode causar o "síndrome dos dedos brancos" ou problemas médicos equivalentes causados pelas vibrações. Examine o estado das suas mãos e dedos se utilizar o produto de forma contínua ou regular. Se as suas mãos ou dedos apresentarem descoloração, se tiver dor ou uma sensação de zumbido ou dormência, pare de trabalhar e consulte imediatamente um médico.
- Certifique-se de que o produto está totalmente montado antes de o utilizar.
- O produto pode causar a projeção de objetos, o que pode causar danos nos olhos. Utilize sempre uma proteção ocular aprovada quando utilizar o produto.
- Tenha cuidado, uma criança pode aproximar-se do produto sem o seu conhecimento durante o funcionamento.
- Não opere o produto se houver pessoas na área de trabalho. Pare o produto se uma pessoa for para a área de trabalho.

(Fig. 24)

- Certifique-se de que está sempre em controlo do produto.
- O produto tem de ser utilizado com ambas as mãos. Não utilize o produto apenas com uma mão. Podem ocorrer ferimentos graves no operador, funcionários, terceiros ou em vários ao mesmo tempo, se trabalhar apenas com uma mão.

- Segure o punho dianteiro com a mão direita e o punho dianteiro com a mão esquerda. Mantenha o produto do lado direito do seu corpo.

(Fig. 25)

- Não utilize o produto se estiver cansado, doente ou sob a influência de álcool ou outras drogas.
- Não utilize o produto se não puder receber ajuda em caso de acidente. Certifique-se de que outras pessoas sabem que irá operar o produto antes de o ligar.
- Não vire com o produto antes de se certificar de que não há pessoas ou animais na área de segurança.
- Remova todos os materiais indesejados da área de trabalho antes de começar. Se a corrente atingir um objeto, este pode ser projetado e causar ferimentos ou danos. Os materiais indesejados podem enrolar-se à volta da corrente e causar danos.
- Não utilize o produto em más condições meteorológicas como nevoeiro, chuva, ventos fortes, risco de relâmpagos ou outras condições meteorológicas. Podem ocorrer condições perigosas, tais como, superfícies escorregadias, devido a más condições meteorológicas.
- Certifique-se de que pode mover-se livremente e trabalhar numa posição estável.
- Certifique-se de que não pode cair quando utilizar o produto. Não se incline quando operar o produto.
- Segure sempre o produto com ambas as mãos. Segure o punho dianteiro com a mão direita e o punho dianteiro com a mão esquerda. Mantenha o produto do lado direito do seu corpo.
- Se o controlo do estrangulador estiver na posição do estrangulador quando o motor arranca, a corrente começa a rodar.
- Pare o motor antes de mover o produto.
- Não pouse o produto com o motor ligado.
- Antes de remover os materiais indesejados do produto, pare o motor. Deixe a corrente parar antes de o material cortado ser retirado por si ou por um ajudante.
- Não utilize este produto numa árvore. A utilização do produto enquanto se encontra em cima de uma árvore pode resultar em ferimentos pessoais.

(Fig. 26)

- O travão da corrente tem de estar engatado na altura do arranque do produto, reduzindo assim o risco de a corrente da serra lhe tocar durante o arranque.

(Fig. 27)

- Evite o retrocesso, a patinagem, a oscilação e a queda, que podem provocar ferimentos graves.
- Cumpra todas as regras de segurança para ajudar a evitar o retrocesso e outras forças que possam resultar em ferimentos graves.
- Ajuste regularmente a tensão da corrente da serra para se certificar de que não está frouxa. Se a

corrente da serra estiver frouxa, pode soltar-se e causar ferimentos graves ou mortais.

- Não abata árvores com o procedimento incorreto. Isto pode causar ferimentos pessoais, atingir um cabo de eletricidade ou causar danos materiais.
- O operador deve manter-se na parte mais elevada do terreno, pois é provável que a árvore deslize pelo lado inclinado depois de cortada.

(Fig. 28)

- Planeie e desimpeça um caminho de evacuação antes de iniciar o abate das árvores. O caminho de fuga deverá estender-se para trás e na diagonal até à parte traseira da linha de queda prevista.

(Fig. 29)

- Pare sempre o motor antes de movimentar o produto entre as árvores.
- Certifique-se de que coloca os seus pés firmemente no solo e distribui o seu peso por igual.

(Fig. 30)

- Mantenha sempre os pés bem assentes e opere o produto apenas quando se encontrar sobre uma superfície fixa, segura e plana. Superfícies escorregadias ou instáveis, como escadas, podem causar uma perda de equilíbrio ou controlo.

(Fig. 31)

Retrocessos, patinagem, oscilação e queda

Diferentes forças podem afetar o controlo em segurança do produto.

- **Patinagem** é quando a lâmina-guia se movimenta muito rápido ao longo da madeira.
- **Oscilação** é quando a lâmina-guia levanta a madeira e toca várias vezes na mesma.
- **Queda** é quando o produto cai depois de efetuar o corte. Isto pode fazer com que a corrente em movimento entre em contacto com uma parte do corpo ou outros objetos, causando ferimentos ou danos.
- **Retrocesso** é quando a extremidade da lâmina-guia toca nos objetos e se desloca para trás, para cima ou subitamente para a frente. O retrocesso também ocorre quando a madeira fecha e aperta a corrente da serra durante o corte. Pode perder o controlo se o produto tocar num objeto em madeira.

(Fig. 32)

- O **retrocesso rotativo** pode ocorrer quando a corrente em movimento entra em contacto com um objeto na parte superior da lâmina-guia. Isto pode fazer com que a corrente penetre no objeto, o que a obriga a parar imediatamente. O resultado é uma reação de inversão muito rápida que desloca a lâmina-guia para cima e para trás na direção do operador. (Fig. 33)
- O **retrocesso de aperto** pode ocorrer quando a corrente da serra parar repente durante o corte.

A madeira fecha e aperta a corrente em movimento ao longo da parte superior da lâmina-guia. A paragem súbita da corrente inverte a força da corrente e faz com que o produto se movimente na direção oposta à da corrente. O produto desloca-se para trás na direção do operador.

(Fig. 34)

- Pode ocorrer um **puxão** quando a corrente da serra parar subitamente no momento em que entra em contacto com um objeto estranho na madeira ao longo da parte inferior da lâmina-guia. A paragem súbita puxa o produto para a frente e afasta-o do operador, podendo facilmente causar a perda de controlo do produto pelo operador. (Fig. 35)

Antes de utilizar o produto, certifique-se de que compreendeu as diferentes forças e como evitá-las. Consulte o capítulo *Para evitar retrocessos, patinagens, oscilações e quedas na página 156.*

Para evitar retrocessos, patinagens, oscilações e quedas

- Enquanto o motor estiver a trabalhar, certifique-se de que segura firmemente no produto. Coloque a mão direita no punho traseiro e a mão esquerda no punho dianteiro. Segure firmemente nos punhos com os dedos e polegares. Não largue o produto.
- Mantenha o controlo do produto durante o corte e depois de a madeira cair para o solo. Não permita que o peso do produto fique mais folgado depois do corte.
- Certifique-se de que a área de corte não está bloqueada. Não permita que a extremidade da lâmina-guia toque num tronco, num ramo ou em qualquer outro tipo de objeto enquanto utiliza o produto. (Fig. 36)
- Para cortar, utilize o motor a alta velocidade.
- Não se debruce ou corte acima da altura dos ombros. (Fig. 37)
- Respeite as instruções do fabricante quanto à manutenção e afiação da corrente da serra.
- Use apenas as lâminas-guia e as correntes de substituição especificadas pelo fabricante.
- Uma abertura de corte demasiado grande aumenta o risco de retrocesso.

Equipamento de proteção pessoal

- Utilize sempre equipamento de proteção pessoal adequado durante o funcionamento do produto. O equipamento de proteção pessoal diminui a gravidade dos ferimentos em caso de acidente, mas não elimina esse risco.
- Não use roupas largas que possam ficar presas na corrente da serra.
- Utilize um capacete de proteção aprovado.

- Utilize sempre proteção auditiva aprovada enquanto opera o produto. A exposição prolongada ao ruído pode causar perda da capacidade auditiva.
- Use sempre óculos de proteção ou viseira para reduzir o risco de ferimentos causados por objetos arremessados. O produto pode deslocar objetos com demasiada força, tais como aparas e pequenos pedaços de madeira. Isso pode causar ferimentos graves, especialmente nos olhos.
- Utilize luvas com proteção para trabalhos com motosserra.
- Utilize calças com proteção para trabalhos com motosserra.
- Utilize botas com proteção para trabalhos com motosserra, biqueiras de aço e solas antiderrapantes.
- Certifique-se de que tem um kit de primeiros socorros por perto.
- O silenciador, a lâmina-guia, a corrente da serra ou qualquer outra fonte podem emitir faíscas. Tenha sempre à mão utensílios de extinção de incêndios e uma pá para ajudar a combater incêndios florestais.
- Certifique-se de que a proteção permite o funcionamento em combinação com o produto.
- Não utilize o produto sem a proteção.
- Certifique-se de que a proteção não está danificada. Substitua a proteção se estiver gasta ou com fissuras.

Segurança no manuseamento do combustível

- Não ligue o produto se houver combustível ou óleo do motor sobre o produto. Remova o combustível/ óleo indesejado e deixe o produto secar. Remova o combustível indesejado do produto.
- Se derramar combustível na sua roupa, troque de roupa imediatamente.
- Não deixe que o combustível entre em contacto com o seu corpo, pois pode causar ferimentos. Se o combustível entrar em contacto com o seu corpo, use sabão e água para o remover.
- Não ligue o motor se derramar óleo ou combustível no produto ou no seu corpo.
- Não ligue o produto se o motor tiver uma fuga. Examine regularmente o motor quanto a fugas.
- Tenha cuidado com o combustível. O combustível é inflamável e os gases são explosivos e podem causar ferimentos ou morte.
- Não respire os gases do combustível, podem causar ferimentos. Certifique-se de que existe um fluxo de ar suficiente.
- Não fume perto de combustível ou do motor.
- Não coloque objetos quentes perto do combustível ou do motor.
- Não acrescente combustível com o motor em funcionamento.
- Certifique-se de que o motor está frio antes de reabastecer.
- Antes de reabastecer, abra lentamente a tampa do depósito de combustível e liberte a pressão com cuidado.
- Não adicione combustível ao motor numa área interior. O fluxo de ar insuficiente pode causar ferimentos ou morte devido a asfíxia ou monóxido de carbono.
- Aperte a tampa do depósito de combustível com cuidado ou pode ocorrer um incêndio.
- Desloque o produto a uma distância mínima de 3 m (10 pés) da posição onde abasteceu o depósito antes de começar.
- Não encha demasiado o depósito de combustível.
- Certifique-se de que não ocorrem fugas quando desloca o produto ou o recipiente de combustível.
- Não coloque o produto ou um recipiente de combustível onde houver uma chama aberta, faísca ou luz piloto. Certifique-se de que a área de armazenamento não contém uma chama aberta.
- Utilize apenas recipientes aprovados quando deslocar ou armazenar o combustível.

Dispositivos de proteção no produto

- Não utilize o produto com equipamento de proteção danificado. Se o produto estiver danificado, fale com um centro de assistência autorizado.

Para examinar o interruptor de paragem

1. Ligue o motor. Consulte o capítulo *Antes de ligar o motor na página 159*.
2. Certifique-se de que o motor para quando move o interruptor de paragem para a posição de paragem.

Para examinar o bloqueio do acelerador

1. Certifique-se de que o acelerador (B) está bloqueado ao ralenti quando libertar o bloqueio do acelerador (A) (Fig. 38).
2. Empurre o bloqueio do acelerador (A) e certifique-se de que este regressa à sua posição inicial quando libertado.
3. Empurre o acelerador (B) e certifique-se de que este regressa à sua posição inicial quando libertado.
4. Ligue o motor e, em seguida, aplique aceleração total.
5. Solte o acelerador e verifique se a corrente da serra para.
6. Se a corrente da serra rodar com o acelerador na posição de ralenti, verifique o parafuso de ajuste de ralenti do carburador.

Proteção

A proteção evita que os objetos sejam ejetados na direção do operador. A proteção também evita toques acidentais entre o operador e a corrente.

- Esvazie o depósito de combustível antes do armazenamento a longo prazo. Respeite a legislação local sobre a eliminação de combustível.
- Limpe o produto antes do armazenamento a longo prazo.
- Remova o cabo de vela de ignição antes de armazenar o produto, para se certificar de que o motor não arranca acidentalmente.

Instruções de segurança para manutenção

- Desligue a vela de ignição antes de efetuar a manutenção do produto, não incluindo os ajustes do carburador.
- Toda a manutenção do produto deve ser efetuada por um revendedor aprovado, não incluindo as tarefas em *MANUTENÇÃO na página 161*.
- Certifique-se de que a corrente da serra para quando o acelerador é libertado.
- Mantenha os punhos secos, limpos e livres de óleo ou mistura de combustível.
- Mantenha as tampas e os fixadores bem apertados.
- Os componentes de substituição não aprovados ou a remoção dos dispositivos de segurança pode causar danos no produto. Isto também pode causar ferimentos no utilizador ou noutras pessoas. Utilize

apenas os acessórios e peças de substituição recomendados. Não altere o seu produto.

- Mantenha a corrente afiada e limpa para um desempenho seguro e elevado.
- Cumpra as instruções para a lubrificação e substituição dos acessórios.
- Examine o produto quanto a peças danificadas. Antes de voltar a utilizar o produto, certifique-se de que a proteção ou peça danificada funciona corretamente. Verifique se existem peças partidas ou incorretamente alinhadas e peças que não se movem livremente. Verifique se existem outras condições que possam afetar o funcionamento do produto. Certifique-se de que o produto está corretamente instalado. Uma proteção ou qualquer outra peça danificada deve ser reparada ou substituída por um revendedor aprovado, exceto se indicado em contrário no manual do utilizador.
- Quando não estiver a ser utilizado, guarde o produto num local seco e protegido, a uma altura considerável e longe do alcance das crianças.
- Durante o transporte ou armazenamento do produto, utilize uma cobertura para a lâmina-guia ou uma caixa para poder transportar o produto.
- Não utilize o óleo usado. O óleo usado pode ser perigoso para si e pode causar danos no produto e no ambiente.

MONTAGEM



ATENÇÃO: Certifique-se de que lê e compreende o capítulo sobre segurança antes de montar o produto.

Para montar a lâmina-guia e a corrente da serra

1. Retire a cobertura da vela de ignição durante a montagem para evitar um arranque acidental. (Fig. 39) (Fig. 40)
2. Retire as porcas da lâmina e a cobertura da embraiagem. Retire a proteção para transporte (A). (Fig. 41)
3. Coloque a lâmina-guia sobre os respetivos parafusos. Oriente a lâmina-guia até à sua posição mais traseira.
4. Calce as luvas de proteção para trabalhos com motosserra.
5. Levante a corrente acima do pinhão e engate-a na ranhura da lâmina-guia. Comece pela extremidade superior da lâmina-guia. (Fig. 42)
6. Certifique-se de que as extremidades das ligações de corte estão viradas para a frente na extremidade superior da lâmina-guia.
 - Examine regularmente a tensão da corrente depois de montar uma nova e até a colocar em funcionamento.
 - Examine regularmente a tensão da corrente. A tensão correta da corrente proporciona um excelente desempenho de corte e uma vida útil prolongada.
7. Monte a cobertura da embraiagem e oriente o pino de ajuste da corrente até ao orifício na lâmina-guia.
8. Certifique-se de que os elos de ligação da corrente encaixam corretamente no pinhão. Certifique-se também de que a corrente da serra está bem encaixada na ranhura da lâmina-guia.
9. Aperte manualmente as porcas da lâmina-guia.
10. Aperte a corrente da serra rodando o parafuso esticador da corrente para a direita com a chave combinada. Aperte a corrente da serra até que deixe de estar frouxa na parte inferior da lâmina-guia, mas possa ser rodada facilmente com a mão. (Fig. 43) e (Fig. 44)
11. Segure na extremidade da lâmina-guia e aperte as respetivas porcas com a chave combinada. (Fig. 45)
 - Examine regularmente a tensão da corrente depois de montar uma nova e até a colocar em funcionamento.
 - Examine regularmente a tensão da corrente. A tensão correta da corrente proporciona um excelente desempenho de corte e uma vida útil prolongada.

UTILIZAÇÃO



ATENÇÃO: Certifique-se de que lê e compreende o capítulo sobre segurança antes de operar o produto.



CUIDADO: Utilize sempre óleo de motor de 2 tempos refrigerado a ar e de elevada qualidade. A utilização de outros óleos pode causar danos no produto.

Utilizar combustível



CUIDADO: Este produto tem um motor de dois tempos. Utilize uma mistura de gasolina e óleo de motor de dois tempos. Certifique-se de utilizar a quantidade correta de óleo na mistura. A relação incorreta de gasolina e óleo pode causar danos ao motor.

Proporção da mistura de combustível.

A proporção da mistura de combustível constituída por gasolina e óleo de motor de 2 tempos é de 50:1 (2%)

Gasolina	Óleo de motor de dois tempos
1 gal (EUA)	77 ml (2,6 oz)
1 gal (Reino Unido)	95 ml (3,2 oz)
5 l	100 ml (3,4 oz)

Preparar a mistura de combustível

- Determine a quantidade correta de gasolina e óleo de motor (proporção da mistura de 50:1). Não prepare uma quantidade de mistura de combustível para mais de 30 dias. Consulte o capítulo *Proporção da mistura de combustível. na página 159.*
- Adicione metade da quantidade de gasolina a um recipiente de combustível limpo com uma proteção contra enchimento excessivo.



CUIDADO: Não utilize gasolina com mais de 10% de concentração de etanol (E10). Caso contrário, pode causar danos no produto.



CUIDADO: Não utilize gasolina com um índice de octanas inferior a 90 RON (87 AKI). Caso contrário, pode causar danos no produto.

Nota: Utilize gasolina com um índice de octanas superior se costumar utilizar o produto a uma velocidade do motor continuamente elevada.

- Adicione a quantidade total do óleo do motor de 2 tempos ao recipiente de combustível.

- Agite a mistura de combustível para misturar o conteúdo.
- Adicione a quantidade restante de gasolina ao recipiente de combustível.
- Agite a mistura de combustível para misturar o conteúdo.
- Encha o depósito de combustível do produto com a mistura de combustível. Consulte o capítulo *Proporção da mistura de combustível. na página 159.*

Para encher o depósito de combustível

- Certifique-se de que a mistura de combustível é a correta e de que se encontra num recipiente de combustível com proteção contra enchimento excessivo.
- Se já houver algum combustível no recipiente, retire o combustível indesejado e deixe o recipiente secar.
- Certifique-se de que a área perto da tampa do depósito de combustível está limpa.
- Retire a tampa do depósito de combustível. (Fig. 46)
- Agite o recipiente de combustível antes de adicionar a mistura de combustível ao depósito de combustível.
- Volte a colocar a tampa do depósito de combustível.

Para lubrificar a corrente da serra

O produto tem um sistema de lubrificação automática. Certifique-se de que utiliza apenas o óleo de corrente correto e siga as instruções.

- Utilize óleo de corrente de base vegetal ou óleo de corrente normal.
- Certifique-se de que a área junto à tampa do depósito de óleo da corrente está limpa.
- Retire a tampa do depósito de óleo da corrente da serra.
- Encha o depósito do óleo de corrente com o tipo de óleo recomendado.
- Volte a colocar a tampa do depósito de óleo da corrente.

Antes de ligar o motor

- Examine o produto quanto a peças em falta, danificadas, soltas ou desgastadas.
- Examine as porcas e os parafusos.

- Examine o filtro de ar.
- Examine se o bloqueio do acelerador e o acelerador estão a funcionar corretamente.
- Examine se o interruptor de paragem está a funcionar corretamente.
- Examine o produto quanto a fugas de combustível.
- Examine se a corrente da serra está afiada e esticada.

Arrancar com o motor frio

1. Desloque para a frente a proteção anti-retrocesso para engatar o travão da corrente. (Fig. 47)
2. Puxe o controlo do estrangulador para fora e para cima.
3. Empurre a bomba de combustível 6 vezes. (Fig. 48)
4. Apoie o corpo do produto contra o solo com a mão esquerda. Não pise o produto. Puxe o punho do cabo de arranque lentamente até sentir alguma resistência. Em seguida, puxe o punho do cabo de arranque com vigor. (Fig. 49)

Nota: Não puxe o acelerador enquanto liga o motor.

5. Continue a puxar o punho do cabo de arranque até que o motor arranque ou tente arrancar (puxe no máx. 3 vezes). Se o motor arrancar ou tentar arrancar, puxe o controlo do estrangulador para baixo. (Fig. 50)



CUIDADO: Não puxe o cabo de arranque até que pare. Não largue o cabo de arranque quando estiver totalmente estendido. Solte o cabo de arranque lentamente. O não cumprimento destas instruções pode causar danos ao motor.

6. Continue a puxar até que o motor arranque. Aguarde 60 segundos depois de um arranque antes de puxar o acelerador.
7. Para desengatar o travão da corrente, puxe para trás a proteção dianteira para a mão na direção do punho dianteiro.
8. Segure o punho traseiro com a mão direita e o punho dianteiro com a mão esquerda.
9. Utilize o produto.

Arranque com o motor quente

1. Desloque para a frente a proteção anti-retrocesso para engatar o travão da corrente. (Fig. 51)
2. Puxe o controlo do estrangulador para fora e para cima.
3. Empurre a bomba de combustível 6 vezes. (Fig. 52)
4. Empurre o controlo do estrangulador para baixo. (Fig. 53)
5. Apoie o corpo do produto contra o solo com a mão esquerda. Não pise o produto. Puxe o punho do

cabo de arranque lentamente até sentir alguma resistência. Em seguida, puxe o punho do cabo de arranque com vigor. (Fig. 54)



CUIDADO: Não puxe o cabo de arranque até que este pare. Não largue o cabo de arranque quando estiver totalmente estendido. Solte o cabo de arranque lentamente. Siga estas instruções para evitar causar danos ao motor.

Nota: Não puxe o acelerador enquanto liga o motor.

6. Continue a puxar o punho do cabo de arranque até que o motor arranque ou tente arrancar (puxe no máx. 3 vezes). Aguarde 60 segundos depois de um arranque antes de puxar o acelerador.
7. Puxe para trás a proteção dianteira para a mão na direção do punho dianteiro para desengatar o travão da corrente.
8. Segure o punho traseiro com a mão direita e o punho dianteiro com a mão esquerda.
9. Utilize o produto.

Para arrancar o motor quando o combustível está demasiado quente

Se o produto não arrancar, o combustível pode estar demasiado quente.

Nota: Utilize sempre combustível novo e reduza as horas de funcionamento durante o tempo quente.

1. Coloque o produto num local fresco sem exposição à luz solar direta.
2. Deixe o produto arrefecer durante, no mínimo, 20 minutos.
3. Prima novamente a bomba de combustível durante 10-15 segundos.
4. Siga o procedimento de arranque a frio. Consulte o capítulo *Arrancar com o motor frio na página 160*.

Parar

- Empurre o interruptor de paragem para parar o motor.

Nota: O interruptor de paragem regressa automaticamente à sua posição inicial.

Para utilizar um apoio para casca

O apoio para casca evita o retrocesso e retém a madeira à medida que a corta. O apoio para casca é uma articulação entre o corpo do motor e a lâmina-guia.

1. Coloque a extremidade inferior do apoio para casca à largura correta das dobradiças.

- Exerça pressão, com a mão esquerda, contra o punho dianteiro enquanto levanta o punho traseiro com a mão direita.
- Serre até conseguir obter a largura correta das dobradiças.

Nota: A dobradiça deve ter a mesma espessura.

- Serre mais de metade do diâmetro e, em seguida, coloque a cunha de abate no corte de serra.

Para abater uma árvore

- Remova a sujidade, pedras, cascas soltas, pregos, grampos e cabos da árvore.
- Faça um entalhe com 1/3 do diâmetro da árvore, perpendicular à direção da queda. (Fig. 55)
- Corte o entalhe na horizontal na parte inferior. Isto ajuda a evitar que a corrente ou a lâmina-guia fiquem presas quando o segundo entalhe é feito.
- Faça o corte de abate na parte de trás (X) a um mínimo de 50 mm (2 pol.) acima do entalhe horizontal. Mantenha o corte de abate na parte de trás paralelo ao entalhe horizontal, de modo a deixar a quantidade de madeira suficiente para formar uma dobradiça. Não corte através da dobradiça. A dobradiça da madeira impede a árvore de rodar e cair na direção errada. (Fig. 56) e (Fig. 57)
- Uma vez que o corte de abate na parte de trás está próximo da dobradiça, a árvore começa a cair. Certifique-se de que a árvore cai na direção certa e não balança para trás, nem prende a corrente da serra. Para evitar esta situação, pare de cortar antes de o corte de abate estar concluído na parte de trás. Utilize cunhas de madeira, plástico ou alumínio para abrir o corte e deixar a árvore cair ao longo da linha de queda necessária. (Fig. 58)
- Quando a árvore começa a cair, remova o produto da área de corte. Pare o motor, pouse o produto e utilize o caminho de evacuação planeado. Tenha

cuidado com a queda de ramos vindos de cima e esteja atento ao que pisa. (Fig. 59)

Para cortar os ramos de uma árvore

- Use os ramos maiores para apoiar a árvore que foi abatida.
- Retire ramos pequenos com um corte. (Fig. 60)
- Corte os ramos sob tensão, de baixo para cima, para evitar que a motosserra ou a lâmina-guia fiquem presas.

Para fazer um corte transversal num tronco



CUIDADO: Não permita que a motosserra entre em contacto com o solo.

- Se o tronco for suportado em todo o seu comprimento, faça o corte a partir da parte superior do tronco (também designado por corte transversal descendente). (Fig. 61)
- Se o tronco for suportado numa extremidade, corte 1/3 do diâmetro a partir da parte inferior do tronco (também designado por corte transversal ascendente).
- Se o tronco for suportado em ambas as extremidades, corte 1/3 do diâmetro a partir da parte superior. Conclua o corte fazendo um corte transversal ascendente nos 2/3 inferiores do tronco até alcançar o primeiro corte. (Fig. 62)
- Ao fazer um corte transversal num tronco quando se encontrar num terreno inclinado, permaneça sempre na parte mais elevada do tronco. Faça o corte ao longo do tronco, mantendo total controlo sobre o produto. Em seguida, liberte a pressão de corte junto à parte final deste, enquanto segura firmemente no punho traseiro e no punho dianteiro. (Fig. 63)

MANUTENÇÃO



ATENÇÃO: Certifique-se de que leu e compreendeu o capítulo sobre segurança antes de limpar, reparar ou realizar tarefas de manutenção no produto.

Esquema de manutenção

Certifique-se de que respeita o esquema de manutenção. Os intervalos são calculados a partir da utilização diária do produto. Os intervalos são diferentes se não utilizar o produto diariamente. Realize apenas tarefas de manutenção descritas neste manual. Fale com um centro de assistência autorizado sobre outras tarefas de manutenção não descritas neste manual.

Controle diário

- Limpe as superfícies externas.
- Certifique-se de que o bloqueio do acionador e o acionador funcionam corretamente.
- Limpe o travão da corrente e certifique-se de que funciona em perfeitas condições.
- Examine o retentor de corrente quanto a danos. Substitua o retentor de corrente, caso esteja danificado.
- Rode diariamente a lâmina-guia para um desgaste mais uniforme.
- Certifique-se de que o orifício de lubrificação da lâmina-guia não está obstruído.
- Retire o serrim e outros materiais indesejáveis da parte de baixo da cobertura do pinhão.

- Limpe a ranhura da lâmina-guia. (Fig. 64)
- Certifique-se de que a lâmina-guia e a corrente da serra recebem óleo suficiente.
- Examine a corrente da serra quanto:
 - a fissuras nos rebites e nos elos.
 - a desgaste irregular dos rebites e dos elos.
 - à tensão correta.
 - à presença de rebarbas nos elos de condução da corrente.

Se necessário, substitua a corrente da serra.

- Afie a corrente da serra. Consulte o capítulo *Para afiar a corrente da serra na página 163*.
- Examine se o pinhão não está demasiado gasto e substitua-o se necessário. (Fig. 65)
- Limpe a admissão de ar do compartimento do motor.
- Certifique-se de que as porcas e os parafusos estão apertados.
- Certifique-se de que o interruptor de alimentação funciona corretamente.

Controle semanal

- Certifique-se de que o sistema de arrefecimento funciona corretamente.
- Certifique-se de que o motor de arranque, o cabo de arranque e a mola de retorno funcionam corretamente.
- Certifique-se de que os elementos antivibração não estão danificados.

(Fig. 66)

- Remova com a lima quaisquer rebarbas das extremidades da lâmina-guia.
- Limpe ou substitua a rede retentora de faíscas do silenciador.

(Fig. 67)

- Limpe as superfícies externas do carburador e áreas adjacentes.
- Limpe o filtro de ar. Instale um novo filtro de ar caso esteja danificado ou demasiado sujo para ser completamente limpo. Consulte *Para limpar o filtro de ar na página 163* para mais informações.

Manutenção mensal

- Examine a faixa do travão da corrente quanto ao desgaste. Substitua quando a espessura da faixa do travão for inferior a 0,6 mm (0,024 pol.) no ponto de maior desgaste.

(Fig. 68)

- Verifique o desgaste no centro, no tambor e na mola da embraiagem.
- Limpe a vela de ignição. Certifique-se de que a distância entre os elétrodos está correta.

(Fig. 69)

- Limpe as superfícies externas do carburador e áreas adjacentes.
- Examine o filtro e a mangueira de combustível. Proceda à substituição, se necessário.
- Esvazie o depósito de combustível.
- Esvazie o depósito de óleo.
- Examine todos os cabos e ligações.

Manutenção anual

- Examine a vela de ignição.
- Limpe as superfícies externas do carburador e áreas adjacentes.
- Limpe o sistema de arrefecimento.
- Examine a rede retentora de faíscas.
- Examine o filtro de combustível.
- Examine a mangueira de combustível quanto a danos.
- Examine todos os cabos e ligações.

Manutenção intermitente

- Leve o silenciador a um centro de assistência autorizado para reparação ou substitua-o após 50 horas de funcionamento.
- Efetue a manutenção na vela de ignição quando:
 - o nível de potência no motor for baixo.
 - for difícil arrancar o motor.
 - o motor não funcionar corretamente ao ralenti.
- Verifique a lubrificação da corrente sempre que reabastecer. Consulte o capítulo *Para verificar a lubrificação da corrente da serra na página 164*.

Ajustar o ralenti

Certifique-se de que o filtro de ar está limpo e que a cobertura do filtro de ar está montada antes de ajustar a velocidade de ralenti.

1. Rode o parafuso de ajuste ao ralenti, identificado com um "T", para a direita até a corrente da serra começar a rodar.
2. Rode o parafuso de ajuste ao ralenti, identificado com um "T", no sentido anti-horário até que a corrente da serra pare.
3. O ralenti tem de ser inferior à velocidade em que a corrente da serra começa a rodar. O ralenti está correto se o motor funcionar suavemente em todas as posições.

Realizar tarefas de manutenção na rede retentora de faíscas

- Utilize uma escova metálica para limpar a rede retentora de faíscas. (Fig. 70)

Para efetuar a manutenção da vela de ignição



CUIDADO: Utilize a vela de ignição recomendada. Certifique-se de que a peça de substituição é idêntica à peça fornecida pelo fabricante. Uma vela de ignição incorreta pode causar danos ao produto.

1. Se não for fácil ligar ou utilizar o produto, examine a vela de ignição quanto a materiais indesejados. Para diminuir o risco de materiais indesejados nos eletrodos da vela de ignição:
 - a) certifique-se de que o ralenti está corretamente ajustado.
 - b) certifique-se de que a mistura de combustível está correta.
 - c) certifique-se de que o filtro de ar está limpo.
2. Limpe a vela de ignição se estiver suja. Certifique-se de que a distância entre os eletrodos está correta. (Fig. 71)
3. Substitua a vela de ignição quando necessário.

Para limpar o filtro de ar

1. Retire a cobertura do filtro de ar e o filtro de ar. (Fig. 72)
2. Limpe o filtro de ar com água quente com sabão. Certifique-se de que o filtro de ar está seco antes de o instalar.
3. Substitua o filtro de ar caso esteja demasiado sujo para o limpar totalmente. Substitua sempre um filtro de ar danificado.

Para afiar a corrente da serra

A cortadora

O componente cortante da corrente da serra chama-se cortador, e é composto pelo dente de corte (A) e pela abertura de corte (B). A diferença em altura entre os dois componentes determina a profundidade de corte da cortadora, a definição de abertura de corte (C).

(Fig. 73)

Ao afiar o dente de corte, há quatro fatores importantes a considerar:

- Ângulo de afiação.

(Fig. 74)

- Ângulo de corte.

(Fig. 75)

- Posição da lima.

(Fig. 76)

- Diâmetro da lima redonda.

(Fig. 77)

Para afiar os dentes de corte

Utilize uma lima redonda e um calibrador de lima para afiar os dentes de corte. Consulte *Calibração e combinações da corrente da serra na página 166* para obter mais informações sobre a dimensão recomendada da lima e do calibrador para a corrente instalada no seu produto. (Fig. 78)

1. Certifique-se de que a corrente da serra está corretamente esticada. Uma corrente sem a tensão correta desloca-se para um dos lados e não afia corretamente.
2. Utilize a lima em todos os dentes de um dos lados. Em seguida, utilize a lima nos dentes de corte da superfície interior e diminua a pressão no sentido inverso.
3. Vire o equipamento para o outro lado e utilize a lima nos dentes.
4. Utilize a lima para manter o mesmo comprimento em todos os dentes. Substitua uma corrente da serra gasta quando o comprimento dos dentes de corte diminuir para 4 mm (5/32 pol.).

Para ajustar a definição da abertura de corte

Afie os dentes de corte antes de ajustar a definição de abertura de corte. Consulte o capítulo *Para afiar os dentes de corte na página 163*. Quando se afia o dente de corte (A), a definição de abertura de corte (C) diminui. Para manter um desempenho de corte ideal, a abertura de corte (B) tem de ser limada para alcançar a definição de abertura de corte recomendada. Consulte *Calibração e combinações da corrente da serra na página 166* para saber qual a definição de abertura de corte correta para a sua corrente em específico.

(Fig. 79)

(Fig. 80)

Nota: Esta recomendação pressupõe que o comprimento dos dentes de corte não foi limado demais.

Utilize uma lima plana e uma ferramenta de abertura de corte para ajustar a abertura de corte.

1. Coloque a ferramenta de abertura de corte acima da corrente da serra. Para obter informações detalhadas sobre a utilização da ferramenta de abertura de corte, consulte a respetiva embalagem.
2. Use a lima plana para eliminar a parte excedente do salto da abertura de corte. A abertura de corte será correcta quando não se sentir resistência ao passar a lima sobre o calibrador.

Para esticar a corrente da serra

Nota: Verifique regularmente a tensão de uma nova corrente da serra durante o respetivo período de funcionamento.

1. Desaperte as porcas da lâmina-guia que fixam a cobertura do pinhão. Utilize a chave de combinação. (Fig. 81)
 2. Aperte manualmente as porcas da lâmina-guia, o mais apertado que conseguir.
 3. Levante a parte superior da lâmina-guia e estique a corrente da serra, apertando o parafuso esticador da corrente. Utilize a chave de combinação. Aperte a corrente da serra até que deixe de estar frouxa na parte inferior da lâmina-guia. (Fig. 82)
 4. Aperte as porcas da lâmina-guia com a chave de combinação e levante simultaneamente a ponta da lâmina-guia. (Fig. 83)
 5. Certifique-se de que pode puxar livremente a corrente da serra com a mão e de que esta não fica frouxa. (Fig. 84)
1. Acione o produto e deixe-o a trabalhar em 3/4 da velocidade. Aponte a extremidade dianteira da lâmina-guia para uma superfície de cor clara a cerca de 20 cm (8 pol.) de distância.
 2. Depois de estar a trabalhar durante 1 minuto, surge uma linha de óleo na superfície clara.
 3. Se não conseguir visualizar a linha de óleo após 1 minuto, limpe o canal do óleo na lâmina-guia. Limpe a ranhura na extremidade da lâmina-guia. Certifique-se de que a roda frontal da lâmina-guia roda livremente e de que não há obstruções no orifício de lubrificação. Limpe e lubrifique a ponta do pinhão.
 4. Acione o produto e deixe-o a trabalhar em 3/4 da velocidade. Aponte a extremidade dianteira da lâmina para uma superfície de cor clara a cerca de 20 cm (8 pol.) de distância.
 5. Depois de estar a trabalhar durante 1 minuto, surge uma linha de óleo na superfície clara.
 6. Se não conseguir visualizar a linha de óleo após 1 minuto, contacte o revendedor aprovado.

Para lubrificar o equipamento de corte

Para verificar a lubrificação da corrente da serra

Verifique a lubrificação da corrente da serra sempre que reabastecer.

TRANSPORTE

- Antes de proceder ao transporte, esvazie os depósitos de combustível e óleo de corrente. Elimine corretamente os fluidos utilizados.
- Durante o transporte, coloque a cobertura da lâmina-guia no equipamento de corte. Isto evita que as pessoas entrem acidentalmente em contacto com a corrente afiada da serra. Uma corrente de serra que não está em funcionamento pode provocar graves ferimentos no utilizador ou em terceiros que entrem em contacto com a corrente afiada.
- Remova a cobertura da vela de ignição e engate o travão da corrente antes de efetuar o transporte.
- Certifique-se de que o produto não pode mover-se durante o transporte.

ARMAZENAMENTO

- Guarde sempre o produto num local seguro quando não estiver em funcionamento. Fugas e fumos expelidos pelo produto podem entrar em contacto com faíscas, chamas desprotegidas do equipamento elétrico, do corta-relva elétrico, de relés/ interruptores, de caldeiras, entre outros.
- Guarde sempre algum combustível num recipiente aprovado.
- Esvazie o combustível e os depósitos de óleo de corrente quando o produto estiver armazenado durante períodos de tempo mais alargados. Elimine corretamente os fluidos utilizados.
- Durante o armazenamento, coloque a cobertura da lâmina-guia na lâmina-guia. Isto evita que qualquer pessoa toque acidentalmente na corrente afiada da serra. Uma corrente de serra que não está em funcionamento pode provocar graves ferimentos no utilizador ou em terceiros que entrem em contacto com a corrente afiada.
- Remova a cobertura da vela de ignição e engate o travão da corrente antes do armazenamento.

ESPECIFICAÇÕES TÉCNICAS

	unidade	130 (H13038HV)	135 Mark II (H13038HV)
Designação do motor			
Cilindrada	cm ³	38	38
Vela de ignição	—	NGK BPMR 7A	NGK BPMR 7A
Distância entre os eléctrodos	mm (pol.)	0,5 (0,02)	0,5 (0,02)
Volume do depósito de combustível	cm ³	350	350
Ralenti	min ⁻¹	2800-3200	2800-3200
Potência de saída a 9000 min ⁻¹	kW	1,5	1,6
Período de durabilidade das emissões	h	125	125
Dados de ruído e vibração			
Nível de vibração equivalente (ahv, eq) do punho esquerdo ⁵¹	m/s ²	3,72	3,72
Nível de vibração equivalente (ahv, eq) do punho direito ⁵²	m/s ²	5,5	5,5
Nível de potência sonora, garantido (L _{WA}) ⁵³	dB(A)	116	116
Nível de potência sonora, medido ⁵⁴	dB(A)	114	114
Nível de pressão sonora junto ao ouvido do utilizador ⁵⁵	dB(A)	102	102
Dimensões do produto			
Peso (sem equipamento de corte)	kg	4,68 (10,3)	4,68 (10,3)
Volume do depósito de óleo	cm ³	260	260
Sistema de lubrificação e combustível			
Capacidade da bomba de óleo em 9000 min ⁻¹	ml/min	9	9
Tipo de bomba de óleo	—	Automático	Automático
Corrente da serra e lâmina-guia			
Comprimento padrão da lâmina-guia	cm (pol.)	35-40 (14-16)	35-40 (14-16)
Comprimento recomendado da lâmina-guia	cm (pol.)	35-40 (14-16)	35-40 (14-16)

⁵¹ O nível de vibração equivalente é calculado como a soma energética dos níveis de vibração ponderados no tempo, em diferentes condições de funcionamento. os dados comunicados relativamente ao nível de vibração equivalente têm uma dispersão estatística típica (desvio padrão) de 1,5 m/s².

⁵² O nível de vibração equivalente é calculado como a soma energética dos níveis de vibração ponderados no tempo, em diferentes condições de funcionamento. os dados comunicados relativamente ao nível de vibração equivalente têm uma dispersão estatística típica (desvio padrão) de 1,5 m/s².

⁵³ Emissões de ruído para as imediações, medidas sob forma de potência sonora (L_{WA}).

⁵⁴ Emissões de ruído para as imediações, medidas sob forma de potência sonora (L_{WA}).

⁵⁵ O nível de pressão sonora equivalente é calculado como a soma energética dos diferentes níveis de pressão sonora ponderados no tempo, em diferentes condições de funcionamento. A dispersão estatística típica de pressão sonora equivalente é um desvio padrão de 2,5 dB(A).

	unidade	130 (H13038HV)	135 Mark II (H13038HV)
Comprimento de corte efetivo	cm (pol.)	33-38 (13-15)	33-38 (13-15)
Velocidade máxima da corrente da serra	m/s	22,3	22,3
Passo da corrente da serra	mm (pol.)	9,52 (3/8)	9,52 (3/8)
Espessura dos elos de acionamento (dispositivo de medição)	mm (pol.)	1,3 (0,050)	1,3 (0,050)
Tipo de pinhão	—	Roda dentada	Roda dentada
Número de dentes do pinhão	—	6	6

ACESSÓRIOS

Combinações de lâminas-guia e correntes da serra

Barra guia				Corrente da serra	
Comprimento	Passo	Largura do sulco	Raio máx. da extremidade	Tipo	Comprimento, elementos de accionamento (qtd.)
14 polegadas	3/8 polegadas	0,050 polegadas	7T	Husqvarna H37	52
16 polegadas				Husqvarna S93G	56

Calibração e combinações da corrente da serra

Tipo de corrente	Tamanho da lima redonda	Ângulo da placa lateral	Ângulo da placa superior	Ângulo da guia de lima	Definição de abertura de corte	Ref. ^a da abertura de corte	Ref. ^a do calibrador de lima
H37, S93G	5/32 pol. 4,0 mm	80°	30°	0°	0,025/0,65	5056981-03	5052437-01

CONTEÚDO DA DECLARAÇÃO DE CONFORMIDADE DA UE

A Husqvarna AB, SE 561 82 Huskvarna, SUÉCIA, declara, sob sua inteira responsabilidade, que o produto representado:

Descrição	Motoserra a gasolina
Marca	Husqvarna

Descrição	Motoserra a gasolina
Plataforma/Tipo/Modelo	Plataforma H13038HV, representando o modelo 130, 135 Mark II
Lote	Número de série referente a 2018 e posteriores

está em plena conformidade com as seguintes diretivas e regulamentos da UE:

Diretiva/Regulamento	Descrição
2006/42/CE	"relativa a máquinas"
2014/30/UE	"relativa à compatibilidade eletromagnética"
2000/14/CE	"relativa ao ruído exterior"
2011/65/UE	"restrição do uso de determinadas substâncias perigosas"

As normas harmonizadas e/ou especificações técnicas aplicadas são as que se seguem: EN ISO 12100, EN ISO 11681-1, CISPR 12, ISO 14982

Em conformidade com a Diretiva 2000/14/CE, Anexo V, os valores de som declarados são indicados na secção de especificações técnicas deste manual e na Declaração de conformidade da UE assinada.

TÜV Rheinland LGA Products GmbH, Entidade competente relativamente a máquinas (notificada de acordo com 0197), Tillystraße 2 - 90431 Nürnberg, Alemanha, realizou o exame de tipo CE em conformidade com a diretiva 2006/42/CE, artigo 12, ponto 3b.

O certificado para o exame de tipo, de acordo com o anexo IX e conforme fornecido na Declaração de Conformidade assinada, é aplicável a todos os locais de fabrico e países de origem, conforme indicado no produto.

A motosserra está conformidade com o exemplo que foi examinado pela CE relativamente ao tipo.

Περιεχόμενα

ΕΙΣΑΓΩΓΗ.....	168	ΜΕΤΑΦΟΡΑ.....	180
ΑΣΦΑΛΕΙΑ.....	169	ΦΥΛΑΞΗ.....	180
ΣΥΝΑΡΜΟΛΟΓΗΣΗ.....	174	ΤΕΧΝΙΚΑ ΣΤΟΙΧΕΙΑ.....	180
ΛΕΙΤΟΥΡΓΙΑ.....	174	ΑΞΕΣΟΥΑΡ.....	182
ΣΥΝΤΗΡΗΣΗ.....	177	ΠΕΡΙΕΧΟΜΕΝΑ ΤΗΣ ΔΗΛΩΣΗΣ ΣΥΜΜΟΡΦΩΣΗΣ ΕΚ.....	182

ΕΙΣΑΓΩΓΗ

Εγχειρίδιο χρήσης

Η αρχική γλώσσα του παρόντος εγχειριδίου χρήσης είναι τα Αγγλικά. Τα εγχειρίδια χρήσης σε άλλες γλώσσες είναι μεταφράσεις από τα Αγγλικά.

Επισκόπηση

(Εικ. 1)

1. Κάλυμμα κυλίνδρου
2. Φούσκα πλήρωσης
3. Προϊόν και πινακίδα αριθμού σειράς
4. Πληροφορίες και προειδοποιητικά σήματα
5. Διακόπτης τερματισμού λειτουργίας
6. Οπίσθια χειρολαβή
7. Ντεπόζιτο καυσίμου
8. Λαβή εκκίνησης
9. Περιβλήμα συστήματος εκκίνησης
10. Ένδειξη κατεύθυνσης ρίψης
11. Ντεπόζιτο λαδιού αλυσίδας
12. Εμπρόσθια χειρολαβή
13. Φρένο αλυσίδας και προφυλακτήρας μπροστινού χεριού
14. Εξάτμιση (σιγαστήρας)
15. Αλυσίδα πριονιού
16. Γρανάζι της μύτης (άκρης) της λάμας
17. Λάμα οδήγησης
18. Βίδα τενωτάτος αλυσίδας (130)
19. Βίδα τενωτάτος αλυσίδας (135 Mark II)
20. Οδοντωτός προφυλακτήρας
21. Συγκρατητής αλυσίδας
22. Κάλυμμα συμπλέκτη
23. Προφυλακτήρας δεξιού χεριού
24. Σκανδάλη γκαζιού
25. Ασφάλεια σκανδάλης γκαζιού
26. Κάλυμμα λάμας οδήγησης
27. Πολυεργαλείο
28. Εγχειρίδιο χρήσης

Σύμβολα στο προϊόν

- (Εικ. 2) Προειδοποίηση
- (Εικ. 3) Διαβάστε το παρόν εγχειρίδιο
- (Εικ. 4) Να χρησιμοποιείτε εγκεκριμένα προστατευτικά κεφαλής, ακοής και ματιών
- (Εικ. 5) Να χρησιμοποιείτε εγκεκριμένα προστατευτικά γάντια
- (Εικ. 6) Το προϊόν συμμορφώνεται με τις ισχύουσες οδηγίες της ΕΕ
- (Εικ. 7) Επίπεδο ισχύος ήχου
- (Εικ. 8) Φρένο αλυσίδας, μη ενεργοποιημένο (αριστερά). Φρένο αλυσίδας, ενεργοποιημένο (δεξιά)
- (Εικ. 9) Χειριστήριο τσοκ
- (Εικ. 10) Φούσκα πλήρωσης
- (Εικ. 11) Ανεφοδιασμός καυσίμου
- (Εικ. 12) Πλήρωση λαδιού αλυσίδας
- (Εικ. 13) Αυτό το προϊόν συμμορφώνεται με τις ισχύουσες οδηγίες EAC
- (Εικ. 14) Αυτό το προϊόν συμμορφώνεται με τις ισχύουσες οδηγίες για την Ουκρανία
- (Εικ. 15) Αυτό το προϊόν συμμορφώνεται με τις ισχύουσες οδηγίες για την Κορέα
- (Εικ. 16) Αυτό το προϊόν συμμορφώνεται με τις ισχύουσες οδηγίες για την Ιαπωνία
- (Εικ. 17) Επίπεδο θορύβου
-

- (Εικ. 18) Να κρατάτε το προϊόν σωστά και με τα δύο χέρια
- (Εικ. 19) Μην το χρησιμοποιείτε με το ένα χέρι
- (Εικ. 20) Αποφύγετε την επαφή με τη μύτη της λάμας
- (Εικ. 21) Προσοχή στο κλώτσημα

Αυτό το προϊόν συμφωνεί με τις ισχύουσες οδηγίες ηλεκτρομαγνητικής συμβατότητας (Εικ. 22) για την Αυστραλία και τη Νέα Ζηλανδία.

Περιεχόμενα Άλλα σύμβολα/σήματα που υπάρχουν στο προϊόν αναφέρονται σε απαιτήσεις πιστοποίησης για άλλες εμπορικές περιοχές.

Πρόταση 65

(Εικ. 23)

EU V



ΠΡΟΕΙΔΟΠΟΙΗΣΗ: Οποιαδήποτε μη εξουσιοδοτημένη παρέμβαση στον κινητήρα ακυρώνει την έγκριση τύπου ΕΕ αυτού του προϊόντος.

Ευθύνη προϊόντος

Όπως αναφέρεται στη νομοθεσία περί ευθύνης για τα προϊόντα, δεν φέρουμε καμία ευθύνη για ζημιές που οφείλονται στο προϊόν μας εάν:

- Το προϊόν έχει επισκευαστεί λανθασμένα.
- Το προϊόν έχει επισκευαστεί με εξαρτήματα που δεν προέρχονται από τον κατασκευαστή ή που δεν έχουν εγκριθεί από τον κατασκευαστή.
- Το προϊόν διαθέτει ένα αξεσουάρ που δεν προέρχεται από τον κατασκευαστή ή που δεν έχει εγκριθεί από τον κατασκευαστή.
- Το προϊόν δεν έχει επισκευαστεί σε εγκεκριμένο κέντρο σέρβις ή από εγκεκριμένη αρχή.

ΑΣΦΑΛΕΙΑ

Ορισμοί για την ασφάλεια

Οι παρακάτω ορισμοί παρέχουν το βαθμό σοβαρότητας για κάθε προειδοποιητική λέξη.



ΠΡΟΕΙΔΟΠΟΙΗΣΗ: Τραυματισμός ατόμων.



ΠΡΟΣΟΧΗ: Ζημιά του προϊόντος.

Περιεχόμενα Αυτές οι πληροφορίες διευκολύνουν τη χρήση του προϊόντος.

Γενικές οδηγίες ασφαλείας

- Χρησιμοποιήστε σωστά το προϊόν. Λόγω της εσφαλμένης χρήσης μπορεί να προκληθεί τραυματισμός ή θάνατος. Χρησιμοποιήστε το προϊόν μόνο για τις εργασίες που αναφέρονται στο παρόν εγχειρίδιο. Μην χρησιμοποιείτε το προϊόν για άλλες εργασίες.
- Να διαβάσετε, να κατανοήσετε και να τηρείτε τις οδηγίες που παρέχονται σε αυτό το εγχειρίδιο. Τηρείτε τα σύμβολα ασφαλείας και τις οδηγίες ασφαλείας. Εάν ο χειριστής δεν τηρεί τις οδηγίες και τα σύμβολα, μπορεί να προκληθεί τραυματισμός, ζημιά ή θάνατος.
- Μην απορρίψετε αυτό το εγχειρίδιο. Χρησιμοποιήστε τις οδηγίες για τη συναρμολόγηση, τη χρήση και τη

διατήρηση του προϊόντος σε καλή κατάσταση. Χρησιμοποιήστε τις οδηγίες για τη σωστή εγκατάσταση των εξαρτημάτων και των παρελκόμενων. Να χρησιμοποιείτε μόνο εγκεκριμένα εξαρτήματα και παρελκόμενα.

- Να μην χρησιμοποιείτε προϊόντα που παρουσιάζουν ζημιά. Να τηρείτε το πρόγραμμα συντήρησης. Να εκτελείτε μόνο τις εργασίες συντήρησης που αναφέρονται σε οδηγίες του παρόντος εγχειριδίου. Όλες οι υπόλοιπες εργασίες συντήρησης πρέπει να εκτελούνται από ένα εγκεκριμένο κέντρο σέρβις.
- Το παρόν εγχειρίδιο δεν περιλαμβάνει όλες τις καταστάσεις που μπορεί να προκύψουν κατά τη χρήση του προϊόντος. Να είστε προσεκτικοί και να χρησιμοποιείτε την κοινή λογική. Να μην χρησιμοποιείτε το προϊόν και μην εκτελείτε συντήρηση σε αυτό, εάν δεν είστε σίγουροι για την κατάστασή. Απευθυνθείτε σε έναν ειδικό για το προϊόν, τον αντιπρόσωπό σας, τον αντιπρόσωπο σέρβις ή ένα εγκεκριμένο κέντρο σέρβις για πληροφορίες.
- Αποσυνδέστε το καλώδιο του μπουζί πριν από τη συναρμολόγηση του προϊόντος, την τοποθέτησή του στην περιοχή αποθήκευσης ή την εκτέλεση εργασιών συντήρησης.
- Μην χρησιμοποιείτε το προϊόν εάν τροποποιηθεί από τις αρχικές του προδιαγραφές. Μην αλλάξετε ένα εξάρτημα του προϊόντος χωρίς έγκριση από τον κατασκευαστή. Χρησιμοποιήστε μόνο εξαρτήματα που έχουν εγκριθεί από τον κατασκευαστή. Λόγω της εσφαλμένης συντήρησης μπορεί να προκληθεί τραυματισμός ή θάνατος.

- Μην αναπνέετε τα καυσαέρια από τον κινητήρα. Η μακροπρόθεσμη εισπνοή αναθυμιάσεων της εξάτμισης του κινητήρα, μικροσταγονιδίων λαδιού από την αλυσίδα και σκόνης και μπορεί να περιέχουν είναι επικίνδυνη για την υγεία.
- Μην θέτετε το προϊόν σε λειτουργία σε εσωτερικό χώρο ή κοντά σε εύφλεκτα υλικά. Οι αναθυμιάσεις της εξάτμισης είναι καυτές και μπορεί να περιέχουν σπινθήρες που μπορεί να προκαλέσουν πυρκαγιά. Η ανεπαρκής ροή αέρα μπορεί να προκαλέσει τραυματισμό ή θάνατο λόγω ασφυξίας ή μονοξειδίου του άνθρακα.
- Αυτό το προϊόν δημιουργεί ηλεκτρομαγνητικό πεδίο κατά τη λειτουργία του. Το ηλεκτρομαγνητικό πεδίο μπορεί να προκαλέσει ζημιά στα ιατρικά εμφυτεύματα. Προτού χρησιμοποιήσετε το προϊόν, συμβουλευθείτε το γιατρό σας ή τον κατασκευαστή του ιατρικού εμφυτεύματος.
- Μην επιτρέψετε σε παιδιά να χρησιμοποιήσουν το προϊόν.
- Μην επιτρέψετε σε άτομα που δεν έχουν διαβάσει τις οδηγίες να χρησιμοποιήσουν το προϊόν.
- Αν το προϊόν χρησιμοποιείται από ένα άτομο με μειωμένη σωματική ή διανοητική ικανότητα, θα πρέπει πάντα να το επιβλέψετε. Πρέπει να είναι παρών ένας υπεύθυνος ενήλικας ανά πάσα στιγμή.
- Ασφαλίστε το προϊόν σε σημείο στο οποίο δεν έχουν πρόσβαση παιδιά και μη εγκεκριμένα άτομα.
- Το προϊόν μπορεί να εκτινάξει αντικείμενα και να προκληθούν τραυματισμοί. Τηρείτε τις οδηγίες ασφαλείας για να μειώσετε τον κίνδυνο τραυματισμού ή θανάτου.
- Μην απομακρύνετε από το προϊόν όταν ο κινητήρας είναι σε λειτουργία. Σβήστε τον κινητήρα και βεβαιωθείτε ότι η αλυσίδα δεν περιστρέφεται.
- Ο χειριστής του προϊόντος είναι υπεύθυνος σε περίπτωση ατυχήματος.
- Βεβαιωθείτε ότι τα εξαρτήματα δεν έχουν υποστεί ζημιά πριν χρησιμοποιήσετε το προϊόν.
- Ανατρέξτε στην εθνική ή τοπική νομοθεσία. Μπορεί να εμποδίσει ή να μειώσει τη λειτουργία του προϊόντος σε ορισμένες περιπτώσεις.

Οδηγίες ασφαλείας για τη λειτουργία

- Η συνεχής ή τακτική λειτουργία του προϊόντος μπορεί να προκαλέσει σύνδρομο Ρεϊνό ή αντίστοιχα προβλήματα υγείας λόγω των δονήσεων. Αν χρησιμοποιείτε το προϊόν συνεχώς ή τακτικά, να εξετάζετε συχνά την κατάσταση των χεριών και των δαχτύλων σας. Αν τα χέρια ή τα δάχτυλά σας έχουν αποχρωματιστεί ή αν παρατηρήσετε πόνο, σιμπίσματα ή ρούδιγμα, σταματήστε τις εργασίες και απευθυνθείτε αμέσως σε έναν γιατρό.
- Βεβαιωθείτε ότι το προϊόν είναι πλήρως συναρμολογημένο πριν από τη χρήση του.
- Το προϊόν μπορεί να προκαλέσει την εκτίναξη αντικειμένων, τα οποία μπορούν να προκαλέσουν ζημιά στα μάτια. Να χρησιμοποιείτε πάντα

εγκεκριμένη προστασία των ματιών κατά τη χρήση του προϊόντος.

- Να είστε προσεκτικοί! Ένα παιδί μπορεί να πλησιάσει στο προϊόν εν αγνοία σας κατά τη διάρκεια της λειτουργίας.
 - Μην χρησιμοποιείτε το προϊόν εάν υπάρχουν άτομα στο χώρο εργασίας. Σταματήστε τη λειτουργία του προϊόντος εάν ένα άτομο μπει στο χώρο εργασίας.
- (Εικ. 24)
- Βεβαιωθείτε ότι έχετε πάντα τον έλεγχο του προϊόντος.
 - Πρέπει να χειρίζεστε το προϊόν και με τα δύο χέρια. Μην χειρίζεστε το προϊόν με το ένα χέρι. Ο χειρισμός με το ένα χέρι μπορεί να προκαλέσει σοβαρό τραυματισμό στο χειριστή ή/και σε άλλους παρευρισκόμενους.
 - Κρατήστε την εμπρόσθια χειρολαβή με το αριστερό με το χέρι και την οπίσθια χειρολαβή με το δεξί σας χέρι. Να κρατάτε το προϊόν στη δεξιά πλευρά του σώματός σας.

(Εικ. 25)

- Μην χρησιμοποιείτε ποτέ το προϊόν εάν είστε κούρασμένοι, άρρωστοι ή υπό την επήρεια αλκοόλ ή άλλων φαρμάκων.
- Να μην χρησιμοποιείτε το προϊόν εάν δεν μπορείτε να λάβετε βοήθεια σε περίπτωση ατυχήματος. Να ενημερώνετε πάντα τους γύρω σας πριν ξεκινήσετε να χρησιμοποιείτε το προϊόν.
- Μην γυρίζετε με το προϊόν πριν να βεβαιωθείτε ότι δεν υπάρχουν άτομα ή ζώα στην περιοχή ασφαλείας.
- Απομακρύνετε όλα τα ανεπιθύμητα υλικά από την περιοχή εργασίας πριν ξεκινήσετε. Εάν η αλυσίδα χτυπήσει κάποιο αντικείμενο, το αντικείμενο μπορεί να εκτιναχθεί και να προκληθεί τραυματισμός ή ζημιά. Γύρω από την αλυσίδα μπορεί να τυλιχθεί ανεπιθύμητο υλικό και να προκαλέσει ζημιά.
- Να μην χρησιμοποιείτε το προϊόν σε κακές καιρικές συνθήκες, όπως ομίχλη, βροχή, ισχυρούς ανέμους, κίνδυνο κεραυνού ή άλλες καιρικές συνθήκες. Μπορεί να προκύψουν επικίνδυνες συνθήκες, όπως ολισθηρές επιφάνειες, λόγω κακοκαιρίας.
- Φροντίστε να είστε σε θέση να μετακινήσετε ελεύθερα και να εργάζεστε σε σταθερή θέση.
- Βεβαιωθείτε ότι δεν μπορείτε να πέσετε όταν χρησιμοποιείτε το προϊόν. Μην γέρνετε όταν χρησιμοποιείτε το προϊόν.
- Κρατάτε πάντα το προϊόν και με τα δύο σας χέρια. Κρατήστε την εμπρόσθια χειρολαβή με το αριστερό σας χέρι και την οπίσθια χειρολαβή με το δεξί σας χέρι. Να κρατάτε το προϊόν στη δεξιά πλευρά του σώματός σας.
- Εάν το χειριστήριο τσοκ βρίσκεται στη θέση του τσοκ κατά την εκκίνηση του κινητήρα, η αλυσίδα αρχίζει να περιστρέφεται.
- Σβήστε τον κινητήρα πριν μετακινήσετε το προϊόν.
- Μην ακουμπάτε το προϊόν με τον κινητήρα σε λειτουργία.

- Σταματήστε τον κινητήρα πριν αφαιρέσετε τα ανεπιθύμητα υλικά από το προϊόν. Αφήστε την αλυσίδα να σταματήσει πριν απομακρύνετε το κομμένο υλικό, είτε εσείς είτε ο βοηθός σας.
- Μην χειρίζεστε αυτό το προϊόν επάνω σε δέντρο. Ο χειρισμός του προϊόντος πάνω σε δέντρο μπορεί να προκαλέσει τραυματισμό.

(Εικ. 26)

- Το φρένο της αλυσίδας πρέπει να είναι ενεργοποιημένο όταν εκκινείται το προϊόν, ώστε να μειώνεται ο κίνδυνος επαφής με την αλυσίδα του πριονιού κατά την εκκίνηση.

(Εικ. 27)

- Να αποφεύγετε τα κλωστήματα (τινάγματα), τις ολισθήσεις, τις αναπηδήσεις και τις πτώσεις, καθώς μπορούν να οδηγήσουν σε σοβαρό τραυματισμό.
- Να τηρείτε όλες τις οδηγίες ασφαλείας, προς αποφυγή τιναγμάτων και άλλων δυνάμεων που μπορεί να οδηγήσουν σε σοβαρό τραυματισμό.
- Να ρυθμίζετε τακτικά το τέντωμα της αλυσίδας του πριονιού για να βεβαιώνετε ότι δεν έχει χαλαρώσει. Μια χαλαρή αλυσίδα πριονιού μπορεί να βγει από τη θέση της και να προκαλέσει σοβαρό ή θανατηφόρο τραυματισμό.
- Να μην κόβετε δέντρα χρησιμοποιώντας εσφαλμένη διαδικασία. Αυτό μπορεί να προκαλέσει τραυματισμό ατόμων, να χτυπήσει μια γραμμή παροχής ρεύματος ή να προκαλέσει ζημιά σε περιουσία.
- Ο χειριστής πρέπει να βρίσκεται προς την ανηφορική πλευρά του εδάφους, καθώς το δέντρο είναι πιθανό να κυλήσει ή να γλιστρήσει προς τα κάτω μετά την κοπή του.

(Εικ. 28)

- Πριν ξεκινήσετε τις κοπές, σχεδιάστε και ελευθερώστε έναν δρόμο διαφυγής. Η διαδρομή διαφυγής θα πρέπει να εκτείνεται πίσω και διαγώνια από την αναμενόμενη γραμμή της πτώσης.

(Εικ. 29)

- Να σβήνετε πάντα τον κινητήρα πριν μετακινήσετε το προϊόν μεταξύ των δέντρων.
- Να τοποθετήσετε σωστά τα πόδια σας στο έδαφος και να μοιράζετε ομοιόμορφα το βάρος.

(Εικ. 30)

- Να στέκεστε πάντα σταθερά και να χρησιμοποιείτε το αλυσοπριονίο μόνο όταν βρίσκεστε σε σταθερή, ασφαλή και επίπεδη επιφάνεια. Οι ολισθηρές ή μη σταθερές επιφάνειες, όπως οι σκάλες, μπορεί να προκαλέσουν απώλεια ισορροπίας ή ελέγχου.

(Εικ. 31)

Κλωστήματα (τινάγματα), ολισθήσεις, αναπηδήσεις και πτώσεις

Διάφορες δυνάμεις μπορεί να έχουν επιπτώσεις στον ασφαλή έλεγχο του προϊόντος.

- Η **ολίσθηση** σημειώνεται όταν η λάμα κινηθεί γρήγορα κατά μήκος του ξύλου.

- Η **αναπήδηση** σημειώνεται όταν η λάμα ανασκώνει το ξύλο και το αγγίζει ξανά και ξανά.
- Η **πτώση** σημειώνεται όταν το προϊόν πέσει κάτω μετά την κοπή. Αυτό μπορεί να προκαλέσει την επαφή της κινούμενης αλυσίδας με ένα μέρος του σώματος ή άλλα αντικείμενα, προκαλώντας τραυματισμό ή ζημιά.

- Το **κλώστημα (τίναγμα)** σημειώνεται όταν το άκρο της λάμας ακουμπήσει αντικείμενα και αρχίσει να μετακινείται προς τα πίσω, προς τα πάνω ή ξαφνικά προς τα εμπρός. Το κλώστημα (τίναγμα) συμβαίνει επίσης όταν το ξύλο κλείσει και μαγκώσει την αλυσίδα πριονιού κατά την κοπή. Αν το προϊόν ακουμπήσει ένα αντικείμενο στο ξύλο, μπορεί να χάσετε τον έλεγχό του.

(Εικ. 32)

- **Κλώστημα (τίναγμα) από περιστροφή** μπορεί να συμβεί όταν η αλυσίδα έρθει σε επαφή με κάποιο αντικείμενο στο επάνω άκρο της λάμας. Αυτό μπορεί να προκαλέσει το σκάλωμα της αλυσίδας μέσα στο αντικείμενο, κάτι που προκαλεί το στιγμιαίο σταμάτημα της αλυσίδας. Το αποτέλεσμα είναι μια πολύ γρήγορη αντίστροφη αντίδραση η οποία μετακινεί τη λάμα προς τα πάνω και πίσω προς τον χειριστή.

(Εικ. 33)

- Το **κλώστημα (τίναγμα) από πιάσιμο** μπορεί να σημειωθεί όταν η αλυσίδα πριονιού σταματήσει ξαφνικά κατά την κοπή. Το ξύλο κλείνει και μαγκώνει την κινούμενη αλυσίδα του πριονιού κατά μήκος της επάνω πλευράς της λάμας. Η απότομη διακοπή της αλυσίδας αναστρέφει τη δύναμη της αλυσίδας και προκαλεί την μετακίνηση του προϊόντος προς την αντίθετη κατεύθυνση από εκείνη της περιστροφής της αλυσίδας. Το προϊόν μετακινείται προς τα πίσω, προς την κατεύθυνση του χειριστή.

(Εικ. 34)

- Το **τράβηγμα** μπορεί να σημειωθεί όταν η αλυσίδα του πριονιού σταματά ξαφνικά όταν η κινούμενη αλυσίδα ακουμπήσει ένα αντικείμενο μέσα στο ξύλο κατά μήκος της κάτω πλευράς της λάμας. Η απότομη διακοπή τραβάει το προϊόν προς τα εμπρός και μακριά από τον χειριστή, κάτι που μπορεί να προκαλέσει εύκολα την απώλεια ελέγχου από τον χειριστή.

(Εικ. 35)

Βεβαιωθείτε ότι έχετε κατανοήσει τις διαφορετικές δυνάμεις και πώς να τις αποτρέψετε πριν χρησιμοποιήσετε το προϊόν. Ανατρέξτε στην ενότητα *Αποτροπή κλωστημάτων (τινάγματα), ολισθήσεων, αναπηδήσεων και πτώσεων στη σελίδα 171.*

Αποτροπή κλωστημάτων (τινάγματα), ολισθήσεων, αναπηδήσεων και πτώσεων

- Φροντίστε να κρατάτε το προϊόν σφιχτά ενώ λειτουργεί το μοτέρ. Βάλτε το δεξί σας χέρι στην οπίσθια χειρολαβή και το αριστερό σας χέρι στην εμπρόσθια χειρολαβή. Κρατήστε σφιχτά με τους

αντίχειρες και τα δάχτυλα γύρω από τις χειρολαβές. Μην τις αφήνετε.

- Κρατήστε τον έλεγχο του προϊόντος κατά την κοπή και αφού το ξύλο πέσει στο έδαφος. Να μην αφήνετε το βάρος του προϊόντος να πέσει προς τα κάτω μετά την κοπή.
- Βεβαιωθείτε ότι η περιοχή στην οποία κόβετε δεν έχει μπλοκαριστεί. Όταν χρησιμοποιείτε το προϊόν, μην αφήνετε το άκρο της λάμας να αγγίζει κορμούς, κλαδιά ή άλλα εμπόδια. (Εικ. 36)
- Να κόβετε σε υψηλές στροφές του μοτέρ.
- Μην τεντώνετε υπερβολικά και μην κόβετε σε ύψος πάνω από τον ώμο σας. (Εικ. 37)
- Να τηρείτε τις οδηγίες ακονίσματος και συντήρησης του κατασκευαστή για την αλυσίδα του πριονιού.
- Να χρησιμοποιείτε μόνο ανταλλακτικές λάμες και αλυσίδες πριονιού που ορίζονται από τον κατασκευαστή.
- Αν ο μετρητής βάθους οριστεί σε πολύ μεγάλη τιμή, αυξάνεται ο κίνδυνος κλωστήματος.

Προσωπικός εξοπλισμός προστασίας

- Να χρησιμοποιείτε πάντα σωστό προσωπικό εξοπλισμό προστασίας κατά τη χρήση του προϊόντος. Σε περίπτωση ατυχήματος, ο προσωπικός εξοπλισμός προστασίας μειώνει το βαθμό του τραυματισμού, αλλά δεν τον εξαλείφει.
- Να μην χρησιμοποιείτε χαλαρά ρούχα που μπορεί να εγκλωβιστούν στην αλυσίδα του πριονιού.
- Να χρησιμοποιείτε εγκεκριμένο κράνος προστασίας.
- Να χρησιμοποιείτε πάντα εγκεκριμένη προστασία αυτιών κατά τη χρήση του προϊόντος. Αν εκτεθείτε στον θόρυβο για μεγάλο χρονικό διάστημα, μπορεί να προκληθεί απώλεια ακοής.
- Να χρησιμοποιείτε προστατευτικά γυαλιά ή προστατευτικό γείσο προσώπου για να μειώσετε τον κίνδυνο τραυματισμού από ιπτάμενα αντικείμενα. Το προϊόν μπορεί να μετακινήσει αντικείμενα με ισχυρή δύναμη, όπως ροκανίδια και μικρά κομμάτια ξύλου. Αυτό μπορεί να οδηγήσει σε σοβαρό τραυματισμό, ακόμα και στα μάτια.
- Να χρησιμοποιείτε γάντια προστασίας για χρήση με αλυσσπρίονο.
- Να χρησιμοποιείτε παντελόνι προστασίας για χρήση με αλυσσπρίονο.
- Να χρησιμοποιείτε μπότες προστασίας για χρήση με αλυσσπρίονο, με ασάλινο κάλυμμα για τα δάχτυλα και αντιστοίχη σόλα.
- Βεβαιωθείτε ότι υπάρχει ένα κιτ πρώτων βοηθειών σε μικρή απόσταση.
- Η εξάτμιση (σιγαστήρας), η λάμα, η αλυσίδα του πριονιού ή και άλλες πηγές μπορεί να προκαλέσουν σπινθήρες. Για να βοηθήσετε στην αποτροπή δασικών πυρκαγιών, έχετε πάντα εργαλεία πυρόσβεσης και ένα φυτάρι.

Προστατευτικές διατάξεις στο προϊόν

- Μην χρησιμοποιείτε προϊόντα με κατεστραμμένο εξοπλισμό προστασίας. Εάν το προϊόν έχει υποστεί ζημιά, απευθυνθείτε σε ένα εγκεκριμένο κέντρο σέρβις.

Έλεγχος διακόπτη τερματισμού

1. Εκκινήστε τον κινητήρα. Ανατρέξτε στην ενότητα *Προτού εκκινήσετε τον κινητήρα στη σελίδα 175.*
2. Βεβαιωθείτε ότι ο κινητήρας σβήνει όταν μετακινείτε το διακόπτη λειτουργίας στη θέση διακοπής λειτουργίας.

Για να ελέγξετε την ασφάλεια της σκανδάλης

1. Βεβαιωθείτε ότι η σκανδάλη γκαζιού (B) είναι ασφαλισμένη στο ρελαντί όταν αφήνετε την ασφάλεια σκανδάλης γκαζιού (A) (Εικ. 38).
2. Πιέστε την ασφάλεια σκανδάλης γκαζιού (A) και βεβαιωθείτε ότι επιστρέφει στην αρχική της θέση όταν την αφήνετε.
3. Πιέστε τη σκανδάλη γκαζιού (B) και βεβαιωθείτε ότι επιστρέφει στην αρχική της θέση όταν την αφήνετε.
4. Βάλτε μπροστά τον κινητήρα και κατόπιν ανοίξτε τέρμα το γκάζι.
5. Αφήστε τη σκανδάλη γκαζιού και ελέγξτε εάν σταματά η αλυσίδα του πριονιού.
6. Εάν η αλυσίδα πριονιού περιστρέφεται με το γκάζι στη θέση ρελαντί, εξετάστε τη βίδα ρύθμισης ρελαντί του καρμπυρατέρ.

Προφυλακτήρας

Ο προφυλακτήρας αποτρέπει την εκτίναξη αντικειμένων προς την κατεύθυνση του χειριστή. Ο προφυλακτήρας αποτρέπει επίσης την ακούσια του χειριστή με το αλυσσπρίονο.

- Βεβαιωθείτε ότι επιτρέπεται στον προφυλακτήρα η λειτουργία σε συνδυασμό με το προϊόν.
- Μην χρησιμοποιείτε το προϊόν χωρίς τον προφυλακτήρα.
- Βεβαιωθείτε ότι ο προφυλακτήρας δεν έχει υποστεί ζημιά. Αντικαταστήστε τον αν έχει φθαρεί ή καταστραφεί.

Ασφάλεια καυσίμου

- Μην θέτετε το προϊόν σε λειτουργία, εάν υπάρχει καύσιμο ή λάδι κινητήρα στο προϊόν. Αφαιρέστε το ανεπιθύμητο καύσιμο/λάδι και αφήστε το προϊόν να στεγνώσει. Αφαιρέστε το ανεπιθύμητο καύσιμο από το προϊόν.
- Εάν χύσετε καύσιμο στα ρούχα σας, αλλάξτε τα αμέσως.
- Μην χύσετε καύσιμο στο σώμα σας, καθώς μπορεί να προκληθεί τραυματισμός. Εάν χύσετε καύσιμο στο σώμα σας, χρησιμοποιήστε σαπουνό νερό για να αφαιρέσετε το καύσιμο.

- Μην βάλετε μπροστά τον κινητήρα εάν χύσετε λάδι ή καύσιμο στο προϊόν ή στο σώμα σας.
- Μην θέσετε το προϊόν σε λειτουργία, εάν ο κινητήρας έχει διαρροή. Εξετάζετε τακτικά τον κινητήρα για διαρροές.
- Να είστε προσεκτικοί με το καύσιμο. Το καύσιμο είναι εύφλεκτο και οι αναθυμιάσεις είναι εκρηκτικές και μπορούν να προκαλέσουν τραυματισμό ή θάνατο.
- Μην εισπνεύσετε τις αναθυμιάσεις καυσίμου, καθώς μπορεί να προκληθεί τραυματισμός. Βεβαιωθείτε ότι υπάρχει επαρκής ροή αέρα.
- Μην καπνίζετε κοντά στο καύσιμο ή τον κινητήρα.
- Μην τοποθετείτε ζεστά αντικείμενα κοντά στο καύσιμο ή τον κινητήρα.
- Μην προσθέτετε καύσιμο όταν λειτουργεί ο κινητήρας.
- Βεβαιωθείτε ότι ο κινητήρας έχει κρυώσει πριν από τον ανεφοδιασμό.
- Πριν από τον ανεφοδιασμό, ανοίξτε αργά την τάπα του νεπετόζιτου καυσίμου και εκτονώστε προσεκτικά την πίεση.
- Μην προσθέτετε καύσιμο στον κινητήρα σε εσωτερικό χώρο. Η ανεπαρκής ροή αέρα μπορεί να προκαλέσει τραυματισμό ή θάνατο λόγω ασφυξίας ή μονοξειδίου του άνθρακα.
- Σφίξτε προσεκτικά την τάπα του νεπετόζιτου καυσίμου, διαφορετικά μπορεί να προκληθεί πυρκαγιά.
- Πριν από την εκκίνηση, μετακινήστε το προϊόν σε απόσταση τουλάχιστον 3 m (10 ft) από το σημείο όπου γεμίσατε το νεπετόζιτο.
- Μην προσθέτετε υπερβολική ποσότητα καυσίμου στο νεπετόζιτο καυσίμου.
- Βεβαιωθείτε ότι δεν μπορεί να προκληθεί διαρροή όταν μετακινείτε το προϊόν ή το δοχείο καυσίμου.
- Μην τοποθετείτε το προϊόν ή ένα δοχείο καυσίμου όπου υπάρχουν ακάλυπτες φλόγες, σπινθήρες ή φλόγιστρα. Βεβαιωθείτε ότι στην περιοχή αποθήκευσης δεν υπάρχουν ακάλυπτες φλόγες.
- Χρησιμοποιήστε μόνο εγκεκριμένα δοχεία όταν μετακινείτε το καύσιμο ή προσθέτετε το καύσιμο στην περιοχή αποθήκευσης.
- Αδειάζετε το νεπετόζιτο καυσίμου πριν από μακροχρόνια αποθήκευση. Τηρείτε την τοπική νομοθεσία σχετικά με την περιοχή απόρριψης καυσίμων.
- Καθαρίζετε το προϊόν πριν από μακροχρόνια αποθήκευση.
- Αφαιρέστε το καλώδιο του μπουζί πριν να τοποθετήσετε το προϊόν στην περιοχή αποθήκευσης, για να βεβαιωθείτε ότι ο κινητήρας δεν θα εκκινηθεί ακούσια.

Οδηγίες ασφαλείας για τη συντήρηση

- Αποσυνδέστε το μπουζί πριν κάνετε συντήρηση του προϊόντος, χωρίς να συμπεριλάβετε τις ρυθμίσεις του καρμπυρατέρ.
- Αναθέστε όλες τις εργασίες συντήρησης των προϊόντων σε εγκεκριμένο αντιπρόσωπο, χωρίς να συμπεριλάβετε τις εργασίες του *ΣΥΝΤΗΡΗΣΗ στη σελίδα 177*.
- Βεβαιωθείτε ότι η αλυσίδα του πριονιού σταματά να κινείται μόλις απελευθερώνεται η σκανδάλη γκαζιού.
- Να διατηρείτε τις χειρολαβές στεγνές, καθαρές και χωρίς λάδια ή μίγματα καυσίμου.
- Να αφιγίνετε σωστά τις τάπες και τις διατάξεις κλεισίματος.
- Τυχόν ανταλλακτικά εξαρτημάτων που δεν είναι εγκεκριμένα, ή η κατάργηση των συσκευών ασφαλείας, μπορεί να προκαλέσουν ζημιά στο προϊόν. Αυτό μπορεί επίσης να προκαλέσει ενδεχόμενο τραυματισμό του χειριστή ή των παρευρισκομένων. Να χρησιμοποιείτε μόνο συνιστώμενα ανταλλακτικά και αξεσουάρ. Να μην πραγματοποιείτε μετατροπές στο προϊόν σας.
- Διατηρήστε την αλυσίδα του πριονιού ακονισμένη και καθαρή για ασφαλή και υψηλή απόδοση.
- Να τηρείτε τις οδηγίες για τη λίπανση και την αλλαγή των αξεσουάρ.
- Ελέγξτε το προϊόν για κατεστραμμένα μέρη. Βεβαιωθείτε ότι ο κατεστραμμένος προφυλακτήρας ή το εξάρτημα λειτουργεί σωστά προτού συνεχίσετε να χρησιμοποιείτε το προϊόν. Ελέγξτε για σπασμένα ή λάθος ευθυγραμμισμένα μέρη, και για μέρη που δεν κινούνται ελεύθερα. Ελέγξτε για άλλες καταστάσεις που μπορεί να έχουν επιπτώσεις στη λειτουργία του προϊόντος. Βεβαιωθείτε ότι η αλυσίδα είναι σωστά εγκατεστημένη. Ο προφυλακτήρας ή άλλα κατεστραμμένα μέρη πρέπει να επισκευάζονται ή να αντικατασταθούν από εγκεκριμένο αντιπρόσωπο, εκτός και αν αναγράφεται στο εγχειρίδιο χρήσης.
- Όταν το προϊόν δεν βρίσκεται σε λειτουργία, κρατήστε το σε ξηρό μέρος, ψηλά ή κλειδωμένο, μακριά από τα παιδιά.
- Κατά τη μεταφορά ή την αποθήκευση του προϊόντος, χρησιμοποιήστε ένα κάλυμμα ή τη θήκη της λάμας για να μετακινήσετε το προϊόν.
- Να μην χρησιμοποιείτε απόβλητα λαδιού. Τα απόβλητα λαδιού μπορεί να είναι επικίνδυνα για εσάς και μπορεί να προκαλέσουν ζημιά στο προϊόν και το περιβάλλον.

ΣΥΝΑΡΜΟΛΟΓΗΣΗ



ΠΡΟΕΙΔΟΠΟΙΗΣΗ: Προτού συναρμολογήσετε το προϊόν, διαβάστε και κατανοήστε το κεφάλαιο για την ασφάλεια.

Συναρμολόγηση της λάμας και της αλυσίδας πριονιού

1. Αφαιρέστε το καπάκι του μπουζι από το μπουζι κατά τη συναρμολόγηση, ώστε να αποφευχθεί τυχόν κατά λάθος εκκίνηση. (Εικ. 39) (Εικ. 40)
2. Αφαιρέστε τα παξιμάδια της λάμας και το κάλυμμα του συμπλέκτη. Αφαιρέστε το προστατευτικό μεταφοράς (Α). (Εικ. 41)
3. Τοποθετήστε τη λάμα πάνω από τα μπουζόνια της λάμας. Κατευθύνετε τη λάμα στην πιο πίσω θέση.
4. Φορέστε γάντια προστασίας από αλυσοπρίονο.
5. Ανασηκώστε την αλυσίδα του πριονιού πάνω από τον οδοντωτό τροχό μετάδοσης κίνησης και τοποθετήστε τη μέσα στην εγκοπή της λάμας οδήγησης. Ξεκινήστε με το επάνω άκρο της λάμας οδήγησης. (Εικ. 42)
6. Βεβαιωθείτε ότι τα άκρα των κρίκων κοπής είναι στραμμένα προς τα εμπρός στο επάνω άκρο της λάμας-οδηγού.
7. Συναρμολογήστε το κάλυμμα του συμπλέκτη και κατευθύνετε τον πείρο ρύθμισης της αλυσίδας στην οπή της λάμας-οδηγού.
8. Βεβαιωθείτε ότι οι σύνδεσμοι του συστήματος μετάδοσης κίνησης της αλυσίδας πριονιού είναι σωστά τοποθετημένοι στον οδοντωτό τροχό μετάδοσης κίνησης. Επίσης, βεβαιωθείτε ότι η αλυσίδα του πριονιού έχει τοποθετηθεί σωστά μέσα στην εγκοπή της λάμας-οδηγού.
9. Σφίξτε τα παξιμάδια της λάμας οδήγησης με το χέρι.
10. Σφίξτε την αλυσίδα του πριονιού, περιστρέφοντας δεξιόστροφα τη βίδα τεντώματος της αλυσίδας με το συνδυαστικό κλειδί. Σφίξτε την αλυσίδα του πριονιού μέχρι να μην κρεμάει κάτω από τη λάμα, αλλά να μπορείτε να την περιστρέψετε εύκολα με το χέρι. (Εικ. 43) και (Εικ. 44)
11. Κρατήστε την άκρη της λάμας και σφίξτε τα παξιμάδια της με το συνδυαστικό κλειδί. (Εικ. 45)
 - Να ελέγχετε συχνά το τέντωμα της αλυσίδας μετά από τη συναρμολόγηση μιας νέας αλυσίδας πριονιού και μέχρι να έχει λειτουργήσει.
 - Να ελέγχετε τακτικά το τέντωμα της αλυσίδας. Το σωστό τέντωμα αλυσίδας οδηγεί σε καλή απόδοση κοπής και μεγάλη διάρκεια ζωής.

ΛΕΙΤΟΥΡΓΙΑ



ΠΡΟΕΙΔΟΠΟΙΗΣΗ: Προτού χρησιμοποιήσετε το προϊόν, διαβάστε και κατανοήστε το κεφάλαιο για την ασφάλεια.

Για να χρησιμοποιήσετε καύσιμο



ΠΡΟΣΟΧΗ: Αυτό το προϊόν έχει ένα δίχρονο κινητήρα. Χρησιμοποιήστε ένα μείγμα βενζίνης και λάδι δίχρονου κινητήρα. Βεβαιωθείτε ότι χρησιμοποιείτε τη σωστή ποσότητα λαδιού στο μείγμα. Τυχόν εσφαλμένη αναλογία βενζίνης και λαδιού μπορεί να προκαλέσει ζημιά στον κινητήρα.

Αναλογία μίγματος καυσίμου

Η αναλογία μίγματος καυσίμου για τη βενζίνη και το λάδι για δίχρονο κινητήρα είναι 50:1 (2 %)

Βενζίνη	Λάδι δίχρονου κινητήρα
1 γαλόνι Η.Π.Α.	77 ml (2,6 oz)
1 γαλόνι Η.Β.	95 ml (3,2 oz)
5 l	100 ml (3,4 oz)

Για να δημιουργήσετε το μείγμα καυσίμου

1. Προσδιορίστε τη σωστή ποσότητα βενζίνης και λαδιού κινητήρα (αναλογία μίγματος 50:1). Να μην δημιουργείτε ποσότητα μίγματος καυσίμου για περισσότερες από 30 ημέρες. Ανατρέξτε στην ενότητα *Αναλογία μίγματος καυσίμου στη σελίδα 174*.
2. Προσθέστε το μισό της ποσότητας βενζίνης σε ένα καθαρό δοχείο καυσίμου με μια βαλβίδα προστασίας από διαρροές.



ΠΡΟΣΟΧΗ: Μην χρησιμοποιείτε βενζίνη με συγκέντρωση αιθανόλης πάνω από 10% (E10). Μπορεί να προκληθεί ζημιά στο προϊόν.



ΠΡΟΣΟΧΗ: Μην χρησιμοποιείτε βενζίνη με αριθμό οκτανίων κάτω από 90 RON (87 AKI). Μπορεί να προκληθεί ζημιά στο προϊόν.

Περιεχόμενα Χρησιμοποιήστε βενζίνη με υψηλότερο αριθμό οκτανίων εάν χρησιμοποιείτε συχνά το προϊόν συνεχώς σε υψηλές στροφές ανά λεπτό (σ.α.λ) του κινητήρα.

3. Συμπληρώστε την πλήρη ποσότητα λαδιού δίχρονου κινητήρα στο δοχείο καυσίμου.



ΠΡΟΣΟΧΗ: Να χρησιμοποιείτε πάντα υψηλής ποιότητας αερόψυκτο λάδι δίχρονου κινητήρα. Άλλα λάδια μπορεί να προκαλέσουν ζημιά στο προϊόν.

4. Ανακινήστε το μείγμα καυσίμου για να αναμιχτείτε τα περιεχόμενα.
5. Προσθέστε την υπόλοιπη ποσότητα βενζίνης στο δοχείο καυσίμου.
6. Ανακινήστε το μείγμα καυσίμου για να αναμιχτείτε τα περιεχόμενα.
7. Γεμίστε το ντεπόζιτο καυσίμου του προϊόντος με το μίγμα καυσίμου. Ανατρέξτε στην ενότητα *Αναλογία μίγματος καυσίμου στη σελίδα 174*.

Γέμισμα ντεπόζιτου καυσίμου

1. Βεβαιωθείτε ότι το μίγμα καυσίμου είναι σωστό και ότι το μίγμα καυσίμου είναι σε ένα δοχείο καυσίμου με μια βαλβίδα προστασίας από διαρροές.
2. Εάν υπάρχει καύσιμο στο δοχείο, αφαιρέστε το ανεπιθύμητο καύσιμο και αφήστε το δοχείο να στεγνώσει.
3. Βεβαιωθείτε ότι η περιοχή κοντά στην τάπα του ντεπόζιτου καυσίμου είναι καθαρή.
4. Αφαιρέστε την τάπα ντεπόζιτου καυσίμου. (Εικ. 46)
5. Ανακινήστε καλά το δοχείο καυσίμου πριν προσθέσετε το μείγμα καυσίμου στο ντεπόζιτο καυσίμου.
6. Επανατοποθετήστε την τάπα ντεπόζιτου καυσίμου.

Λίπανση της αλυσίδας πριονιού

Το προϊόν διαθέτει αυτόματο σύστημα λίπανσης. Φροντίστε να χρησιμοποιείτε μόνο το σωστό λάδι αλυσίδας και να τηρείτε τις οδηγίες.

1. Να χρησιμοποιείτε φυτικής προέλευσης λάδι αλυσίδας πριονιού ή ένα τυπικό λάδι αλυσίδας.
2. Βεβαιωθείτε ότι η περιοχή κοντά στην τάπα του ντεπόζιτου λαδιού αλυσίδας πριονιού είναι καθαρή.
3. Αφαιρέστε την τάπα του ντεπόζιτου λαδιού της αλυσίδας πριονιού.
4. Γεμίστε το ντεπόζιτο λαδιού αλυσίδας πριονιού με το συνιστώμενο λάδι αλυσίδας πριονιού.
5. Επανατοποθετήστε την τάπα του ντεπόζιτου λαδιού αλυσίδας πριονιού.

Προτού εκκινήσετε τον κινητήρα

- Ελέγξτε το προϊόν για εξαρτήματα που λείπουν, έχουν υποστεί ζημιά, έχουν χαλαρώσει ή φθαρεί.
- Ελέγξτε τα παζιμάδια, τις βίδες και τα μπουλόνια.
- Ελέγξτε το φίλτρο αέρα.
- Ελέγξτε τη σωστή λειτουργία της ασφάλειας σκανδάλης γκαζιού και του χειριστηρίου γκαζιού.

- Ελέγξτε αν λειτουργεί σωστά ο διακόπτης διακοπής λειτουργίας.
- Ελέγξτε το προϊόν για διαρροές καυσίμου.
- Ελέγξτε το ακόνισμα και την τάνυση της αλυσίδας πριονιού.

Εκκίνηση με κρύο κινητήρα

1. Μετακινήστε τον προφυλακτήρα μπροστινού χεριού προς τα εμπρός, για να ενεργοποιήσετε το φρένο της αλυσίδας. (Εικ. 47)
2. Τραβήξτε προς τα έξω και προς τα επάνω το χειριστήριο του τσοκ.
3. Πιέστε τη φούσκα πλήρωσης 6 φορές. (Εικ. 48)
4. Κρατήστε το σώμα του προϊόντος στο έδαφος με το αριστερό σας χέρι. Μην πατάτε επάνω στο προϊόν. Τραβήξτε αργά τη λαβή του κορδονιού της μίζας μέχρι να αισθανθείτε αντίσταση. Στη συνέχεια, τραβήξτε δυνατά τη λαβή του κορδονιού της μίζας. (Εικ. 49)

Περιεχόμενα Μην τραβάτε τη σκανδάλη γκαζιού ενώ προσπαθείτε να βγάλετε μπροστά τον κινητήρα.

5. Συνεχίστε να τραβάτε τη λαβή του κορδονιού της μίζας μέχρι την εκκίνηση ή την απόπειρα εκκίνησης του κινητήρα (έως 3 τραβήγματα). Εάν ο κινητήρας εκκινηθεί ή προσπαθεί να εκκινηθεί, πιέστε το χειριστήριο τσοκ προς τα κάτω. (Εικ. 50)



ΠΡΟΣΟΧΗ: Μην τραβήξετε το κορδόνι της μίζας μέχρι να σβήσει. Μην αφήσετε το κορδόνι της μίζας όταν εκταθεί πλήρως. Αφήστε αργά το κορδόνι της μίζας. Εάν δεν τηρήσετε αυτές τις οδηγίες, μπορεί να προκληθεί ζημιά στον κινητήρα.

6. Συνεχίστε να τραβάτε μέχρι να εκκινηθεί ο κινητήρας. Περιμένετε 60 δευτερόλεπτα μετά από την εκκίνηση, πριν τραβήξετε τη σκανδάλη γκαζιού.
7. Τραβήξτε προς τα πίσω τον προφυλακτήρα μπροστινού χεριού προς την μπροστινή χειρολαβή, για να αποσυμπλέξετε το φρένο της αλυσίδας.
8. Κρατήστε την οπίσθια χειρολαβή με το δεξιό σας χέρι και την εμπρόσθια χειρολαβή με το αριστερό σας χέρι.
9. Χρησιμοποιήστε το προϊόν.

Για εκκίνηση με ζεστό κινητήρα

1. Μετακινήστε τον προφυλακτήρα μπροστινού χεριού προς τα εμπρός, για να ενεργοποιήσετε το φρένο της αλυσίδας. (Εικ. 51)
2. Τραβήξτε προς τα έξω και προς τα επάνω το χειριστήριο του τσοκ.
3. Πιέστε τη φούσκα πλήρωσης 6 φορές. (Εικ. 52)
4. Πιέστε προς τα κάτω το χειριστήριο τσοκ προς τα κάτω. (Εικ. 53)

5. Κρατήστε το σώμα του προϊόντος στο έδαφος με το αριστερό σας χέρι. Μην πατάτε επάνω στο προϊόν. Τραβήξτε αργά τη λαβή του κορδονιού της μίζας μέχρι να αισθανθείτε αντίσταση. Στη συνέχεια, τραβήξτε δυνατά τη λαβή του κορδονιού της μίζας. (Εικ. 54)



ΠΡΟΣΟΧΗ: Μην τραβήξετε το κορδόνι της μίζας μέχρι να σβήσει. Μην αφήσετε το κορδόνι της μίζας όταν εκταθεί πλήρως. Αφήστε αργά το κορδόνι της μίζας. Να τηρείτε αυτές τις οδηγίες για να αποφύγετε την πρόκληση ζημιάς στον κινητήρα.

Περιεχόμενα Μην τραβάτε τη σκανδάλη γκαζιού ενώ προσπαθείτε να βάλετε μπροστά τον κινητήρα.

6. Συνεχίστε να τραβάτε τη λαβή του κορδονιού της μίζας μέχρι την εκκίνηση ή την απόπειρα εκκίνησης του κινητήρα (έως 3 τραβήγματα). Περιμένετε 60 δευτερόλεπτα μετά από την εκκίνηση, πριν τραβήξετε τη σκανδάλη γκαζιού.
7. Τραβήξτε προς τα πίσω τον προφυλακτήρα μπροστινού χεριού προς την κατεύθυνση της εμπρόσθιας χειρολαβής για να ελευθερώσετε το φρένο αλυσίδας.
8. Κρατήστε την οπίσθια χειρολαβή με το δεξιό σας χέρι και την εμπρόσθια χειρολαβή με το αριστερό σας χέρι.
9. Χρησιμοποιήστε το προϊόν.

Εκκίνηση του κινητήρα όταν το καύσιμο είναι υπερβολικά ζεστό

Εάν το προϊόν δεν ξεκινάει, το καύσιμο μπορεί να είναι υπερβολικά ζεστό.

Περιεχόμενα Να χρησιμοποιείτε πάντα νέα καύσιμα και μειώνετε το χρόνο λειτουργίας όταν ο καιρός είναι ζεστός.

1. Τοποθετήστε το προϊόν σε δροσερό χώρο μακριά από την ηλιακή ακτινοβολία.
2. Αφήστε το προϊόν να κρυώσει για 20 λεπτά τουλάχιστον.
3. Πιέστε την φούσκα πλήρωσης ξανά και ξανά για 10-15 δευτερόλεπτα.
4. Ακολουθήστε τη διαδικασία εκκίνησης με κρύο κινητήρα. Ανατρέξτε στην ενότητα *Εκκίνηση με κρύο κινητήρα στη σελίδα 175*.

Για να διακόψετε τη λειτουργία

- Πιέστε τον διακόπτη λειτουργίας για να σβήσετε τον κινητήρα.

Περιεχόμενα Ο διακόπτης διακοπής λειτουργίας επιστρέφει αυτόματα στην αρχική του θέση.

Χρήση οδοντωτού προφυλακτήρα

Ο οδοντωτός προφυλακτήρας απαιτείται τα κλωστήματα (πινάματα) και συγκρατεί το ξύλο καθώς κόβετε. Ο οδοντωτός προφυλακτήρας είναι ένας περιστρεφόμενος άξονας μεταξύ του σώματος του κινητήρα και της λάμας.

1. Τοποθετήστε το κάτω άκρο του οδοντωτού προφυλακτήρα στο σωστό πλάτος άρθρωσης.
2. Πιέστε με το αριστερό σας χέρι, αντίθετα από την εμπρόσθια χειρολαβή ενώ ανασηκώνετε την οπίσθια χειρολαβή με το δεξιό σας χέρι.
3. Πριονίστε μέχρι να λάβετε το σωστό πλάτος άρθρωσης.

Περιεχόμενα Η άρθρωση πρέπει να έχει ίσο πάχος.

4. Πριονίστε περισσότερο από το μισό της διαμέτρου και στη συνέχεια τοποθετήστε τη σφήνα πώσης στην εγκοπή του δισκοπριονίου.

Υλοτόμηση δέντρου

1. Αφαιρέστε τυχόν ρύτους, πέτρες, χαλαρό φλοιό, καρφιά, συνδετήρες και καλώδια από το δέντρο.
2. Σχηματίστε μια εγκοπή στο 1/3 της διαμέτρου του δέντρου, κάθετα προς την κατεύθυνση της πτώσης. (Εικ. 55)
3. Σχηματίστε την κατώτερη οριζόντια εγκοπή κοπής. Αυτό βοηθάει στην αποφυγή μαγκώματος της αλυσίδας του πριονιού ή της λάμας κατά το σχηματισμό της δεύτερης εγκοπής.
4. Σχηματίστε την κοπή οπίσθιας ρίψης (X) τουλάχιστον 50 mm (2 in) υψηλότερα από την οριζόντια εγκοπή κοπής. Κρατήστε την κοπή οπίσθιας ρίψης παράλληλη προς την οριζόντια εγκοπή κοπής, ώστε να απομείνει αρκετό ξύλο για να δημιουργηθεί άρθρωση. Μην κόβετε μέσα από την άρθρωση. Η άρθρωση στο ξύλο απαιτείται τη συστροφική και πώση του δέντρου με εσφαλμένη φορά. (Εικ. 56) και (Εικ. 57)
5. Καθώς η κοπή οπίσθιας ρίψης πλησιάζει την άρθρωση, το δέντρο αρχίζει να πέφτει. Βεβαιωθείτε ότι το δέντρο μπορεί να πέσει προς τη σωστή κατεύθυνση αντί να κουνηθεί προς τα εμπρός και να μαγκώσει την αλυσίδα του πριονιού. Σταματήστε την κοπή πριν ολοκληρωθεί η κοπή οπίσθιας ρίψης ώστε να αποφευχθεί το ενδεχόμενο αυτό. Χρησιμοποιήστε ξύλινες, πλαστικές ή αλουμιένιες σφήνες για να ανοίξετε την κοπή και αφήστε το δέντρο να πέσει κατά μήκος της απαραίτητης γραμμής πτώσης. (Εικ. 58)
6. Όταν το δέντρο αρχίζει να πέφτει, αφαιρέστε το προϊόν από την κοπή. Σβήστε το μοτέρ, ακουμπήστε το προϊόν κάτω και χρησιμοποιήστε την προβλεπόμενη διαδρομή διαφυγής. Να είστε προσεκτικοί με τα κλαδιά που πέφτουν από πάνω και να προσέχετε που πατάτε. (Εικ. 59)

Ξεκλάρισμα δέντρου

- Χρησιμοποιήστε μεγαλύτερα κλαδιά για να συγκρατήσετε τον κορμό μακριά από το έδαφος.
- Αφαιρέστε τα μικρά κλαδιά με ένα κόψιμο. (Εικ. 60)
- Κόψτε τα κλαδιά που έχουν τάση από τη βάση προς την κορυφή για να αποτρέψετε το μάγκωμα της αλυσίδας του πριονιού ή της λάμας.

Τεμαχισμός κορμού



ΠΡΟΣΟΧΗ: Μην αφήνετε την αλυσίδα του πριονιού να έρθει σε επαφή με το έδαφος.

- Αν ο κορμός στηρίζεται σε όλο το μήκος του, κόψτε από το επάνω μέρος του κορμού. (Εικ. 61)
- Αν ο κορμός στηρίζεται στο ένα άκρο, κόψτε το 1/3 της διαμέτρου από το κάτω μέρος του κορμού.
- Αν ο κορμός στηρίζεται στα δύο άκρα, κόψτε το 1/3 της διαμέτρου από το επάνω μέρος. Ολοκληρώστε την κοπή, κόβοντας τα 2/3 από το κάτω μέρος του κορμού για να αγγίξετε την πρώτη κοπή. (Εικ. 62)
- Αν τεμαχίζετε έναν κορμό σε έδαφος με κλίση, παραμένετε πάντα στην ψηλότερη πλευρά του κορμού. Να κόβετε τον κορμό ενώ διατηρείτε πλήρη έλεγχο του προϊόντος. Στη συνέχεια, απελευθερώστε την πίεση κοπής κοντά στο άκρο της κοπής ενώ κρατάτε σφιχτά την οπίσθια και την εμπρόσθια χειρολαβή. (Εικ. 63)

ΣΥΝΤΗΡΗΣΗ



ΠΡΟΕΙΔΟΠΟΙΗΣΗ: Διαβάστε και κατανοήστε το κεφάλαιο για την ασφάλεια προτού εκτελέσετε εργασίες καθαρισμού, επισκευής ή συντήρησης στο προϊόν.

- ακανόνιστα φθαρμένα πριτσίνια και συνδέσμοι.
- ρωσστή τάνυση.
- σιαστήματα στους συνδέσμοις του συστήματος μετάδοσης κίνησης της αλυσίδας.

Πρόγραμμα συντήρησης

Βεβαιωθείτε ότι μπορείτε να τηρείτε το πρόγραμμα συντήρησης. Τα διαστήματα υπολογίζονται με βάση την καθημερινή χρήση του προϊόντος. Τα διαστήματα είναι διαφορετικά εάν δεν χρησιμοποιείτε το προϊόν καθημερινά. Εκτελείτε μόνο τις εργασίες συντήρησης που αναφέρονται στο παρόν εγχειρίδιο. Απευθυνθείτε σε ένα εγκεκριμένο κέντρο σέρβις σχετικά με τις υπολοίπες εργασίες συντήρησης που δεν αναφέρονται στο παρόν εγχειρίδιο.

Εάν είναι απαραίτητο, αντικαταστήστε την αλυσίδα του πριονιού.

- Ακονίστε την αλυσίδα πριονιού. Ανατρέξτε στην ενότητα *Ακόνισμα αλυσίδας πριονιού στη σελίδα 178*.
- Ελέγξτε τον οδοντωτό τροχό μετάδοσης κίνησης για τυχόν υπερβολική φθορά και αντικαταστήστε τον αν είναι απαραίτητο. (Εικ. 65)
- Καθαρίστε την εισαγωγή αέρα στο περίβλημα του μοτέρ.
- Βεβαιωθείτε ότι τα παξιμάδια και οι βίδες είναι σφιγμένα.
- Βεβαιωθείτε ότι ο διακόπτης ισχύος λειτουργεί σωστά.

Καθημερινή συντήρηση

- Καθαρίστε τις εξωτερικές επιφάνειες.
- Βεβαιωθείτε ότι η ασφάλεια σκανδάλης και η σκανδάλη λειτουργούν σωστά.
- Καθαρίστε το φρένο αλυσίδας και βεβαιωθείτε ότι λειτουργεί σωστά.
- Εξετάστε τον συγκρατητή αλυσίδας για ζημιές. Αντικαταστήστε τον συγκρατητή αλυσίδας εάν έχει υποστεί ζημιά.
- Να περιστρέψετε τη λάμα καθημερινά για περισσότερο ομοιόμορφη φθορά.
- Βεβαιωθείτε ότι η οπή λίπανσης της λάμας δεν είναι φραγμένη.
- Αφαιρέστε τα πριονίδια και άλλο ανεπιθύμητο υλικό από την κάτω πλευρά του καλύμματος του οδοντωτού τροχού.
- Καθαρίστε την εγκοπή της λάμας. (Εικ. 64)
- Βεβαιωθείτε ότι πηγαίνει αρκετό λάδι στη λάμα και στην αλυσίδα πριονιού.
- Ελέγξτε την αλυσίδα πριονιού για:
 - ρωγμές στα πριτσίνια και τους συνδέσμοις.

Εβδομαδιαία συντήρηση

- Βεβαιωθείτε ότι το σύστημα ψύξης δουλεύει σωστά.
- Βεβαιωθείτε ότι η μίζα, το κορδόνι της μίζας και το ελατήριο επιστροφής λειτουργούν σωστά.
- Βεβαιωθείτε ότι το σύστημα απόσβεσης κραδασμών δεν έχει υποστεί ζημιά. (Εικ. 66)
- Λιμάρετε όλα τα ριζίσματα από τις άκρες της λάμας.
- Καθαρίστε ή αντικαταστήστε τη φλογοπαγίδα στην εξάτμιση (σιγαστήρα). (Εικ. 67)

- Καθαρίστε τις εξωτερικές επιφάνειες του καρμπυρατέρ και τις γειτονικές περιοχές.
- Καθαρίστε το φίλτρο αέρα. Τοποθετήστε ένα νέο φίλτρο αέρα, αν έχει υποστεί φθορά ή αν είναι πολύ λερωμένο για να καθαριστεί πλήρως. Ανατρέξτε στην ενότητα *Καθαρισμός του φίλτρου αέρα στη σελίδα 178* για περαιτέρω πληροφορίες.

Μηνιαία συντήρηση

- Ελέγξτε τη στεφάνη του φρένου στο φρένο της αλυσίδας για φθορές. Αντικαταστήστε όταν το πάχος της στεφάνης του φρένου είναι μικρότερο από 0,6 mm (0,024 ίντσες) στο σημείο με τη μεγαλύτερη φθορά.

(Εικ. 68)

- Ελέγξτε το κέντρο του συμπλέκτη, την καμπάνα του συμπλέκτη και το ελατήριο του συμπλέκτη για φθορά.
- Καθαρίστε το μπουζί. Βεβαιωθείτε ότι το διάκενο ηλεκτροδίου είναι σωστό.

(Εικ. 69)

- Καθαρίστε τις εξωτερικές επιφάνειες του καρμπυρατέρ και τις γειτονικές περιοχές.
- Ελέγξτε το φίλτρο καυσίμου και τον σωλήνα καυσίμου. Αντικαταστήστε, αν χρειάζεται.
- Αδειάστε το νεπετόζιτο καυσίμου.
- Αδειάστε το νεπετόζιτο λαδιού.
- Εξετάστε όλα τα καλώδια και τις συνδέσεις.

Ετήσια συντήρηση

- Εξετάστε το μπουζί.
- Καθαρίστε τις εξωτερικές επιφάνειες του καρμπυρατέρ και τις γειτονικές περιοχές.
- Καθαρίστε το σύστημα ψύξης.
- Εξετάστε το πλέγμα της φλογοπαγίδας.
- Εξετάστε το φίλτρο καυσίμου.
- Εξετάστε το σωλήνα καυσίμου για ζημιές.
- Εξετάστε όλα τα καλώδια και τις συνδέσεις.

Διακεκομμένη συντήρηση

- Αναθέστε την επίσκεψη ή την αντικατάσταση της εξάτμισης (σιγαστήρα) σε ένα εγκεκριμένο κέντρο σέρβις μετά από 50 ώρες λειτουργίας.
- Κάνετε συντήρηση στο μπουζί όταν:
 - το επίπεδο ισχύος στον κινητήρα είναι χαμηλό.
 - είναι δύσκολο να ξεκινήσει ο κινητήρας.
 - ο κινητήρας δεν λειτουργεί σωστά στο ρελαντί.
- Κάντε έναν έλεγχο στην λίπανση της αλυσίδας του πριονιού κάθε φορά που βάζετε καύσιμο. Ανατρέξτε στην ενότητα *Έλεγχος της λίπανσης της αλυσίδας του πριονιού στη σελίδα 179*.

Για να ρυθμίσετε τις στροφές ανά λεπτό ρελαντί

Βεβαιωθείτε ότι το φίλτρο αέρα είναι καθαρό και ότι το κάλυμμα φίλτρο αέρα είναι προσαρτημένο, πριν από τη ρύθμιση των στροφών ανά λεπτό ρελαντί.

1. Περιστρέψτε δεξιόστροφα τη βίδα ρύθμισης ρελαντί, η οποία αναγνωρίζεται με ένα σημάδι "T", μέχρι η αλυσίδα πριονιού να αρχίσει να περιστρέφεται.

2. Περιστρέψτε αριστερόστροφα τη βίδα ρύθμισης ρελαντί, η οποία αναγνωρίζεται με ένα σημάδι "T", μέχρι η αλυσίδα πριονιού να σταματήσει.
3. Οι στροφές ανά λεπτό ρελαντί πρέπει να είναι λιγότερες από τις στροφές που παρατηρούνται τη στιγμή που η αλυσίδα πριονιού αρχίζει να γυρίζει. Οι στροφές ανά λεπτό ρελαντί είναι σωστές όταν ο κινητήρας λειτουργεί ομαλά σε όλες τις θέσεις.

Για εκτέλεση εργασιών συντήρησης στο πλέγμα φλογοπαγίδας

- Χρησιμοποιήστε συρματόβουρτσα για να καθαρίσετε το πλέγμα της φλογοπαγίδας. (Εικ. 70)

Εκτέλεση εργασιών συντήρησης στο μπουζί



ΠΡΟΣΟΧΗ: Χρησιμοποιήστε το συνιστώμενο μπουζί. Βεβαιωθείτε ότι το ανταλλακτικό είναι το ίδιο με το εξάρτημα που παρέχεται από τον κατασκευαστή. Ένα ακατάλληλο μπουζί μπορεί να προκαλέσει ζημιά στο προϊόν.

1. Εάν το προϊόν δεν εκκινείται εύκολα ή δεν λειτουργεί, εξετάστε το μπουζί για ανεπιθύμητα υλικά. Για να μειώσετε τον κίνδυνο ανεπιθύμητου υλικού στα ηλεκτρόδια του μπουζί:
 - a) Βεβαιωθείτε ότι οι στροφές ανά λεπτό ρελαντί έχουν ρυθμιστεί σωστά.
 - b) Βεβαιωθείτε ότι το μείγμα καυσίμου είναι σωστό.
 - c) Βεβαιωθείτε ότι το φίλτρο αέρα είναι καθαρό.
2. Καθαρίστε το μπουζί, εάν είναι βρώμικο. Βεβαιωθείτε ότι το διάκενο ηλεκτροδίου είναι σωστό. (Εικ. 71)
3. Αντικαταστήστε το μπουζί όταν είναι απαραίτητο.

Καθαρισμός του φίλτρο αέρα

1. Αφαιρέστε το κάλυμμα του φίλτρο αέρα και το φίλτρο αέρα. (Εικ. 72)
2. Καθαρίστε το φίλτρο αέρα με ζεστό σαπουνόνερο. Βεβαιωθείτε ότι το φίλτρο αέρα είναι στεγνό πριν να το εγκαταστήσετε.
3. Αντικαταστήστε το φίλτρο αέρα εάν είναι πολύ βρώμικο για να καθαριστεί πλήρως. Πρέπει πάντα να αντικαθιστάτε το φίλτρο αέρα, εάν έχει υποστεί ζημιά.

Ακόνισμα αλυσίδας πριονιού

Το κοπτικό εργαλείο

Το τμήμα της αλυσίδας του πριονιού που εκτελεί την κοπή ονομάζεται κοπτικό εργαλείο και αποτελείται από ένα δόντι κοπής (A) και το μετρητή βάθους (B). Το βάθος κοπής του κοπτικού εργαλείου καθορίζεται από τη διαφορά ύψους μεταξύ των δύο (ρύθμιση μετρητή βάθους) (C).

(Εικ. 73)

Όταν ακονίζετε ένα δόντι κοπής, υπάρχουν τέσσερις σημαντικοί παράγοντες που πρέπει να θυμάστε:

- Γωνία ακονίσματος.

(Εικ. 74)

- Γωνία κοπής.

(Εικ. 75)

- Θέση λίμας.

(Εικ. 76)

- Διάμετρος στρογγυλής λίμας.

(Εικ. 77)

Ακόνισμα κοπτικών δοντιών

Χρησιμοποιήστε μια στρογγυλή λίμα και έναν οδηγό ακονίσματος για να ακονίσετε τα δόντια κοπής. Βλ. *Ακόνισμα αλυσίδας πριονιού και συνδυασμοί αλυσίδας πριονιού στη σελίδα 182* για πληροφορίες σχετικά με την συνιστώμενη διάσταση της λίμας και του οδηγού για την αλυσίδα πριονιού που έχει εγκατασταθεί στο προϊόν σας. (Εικ. 78)

1. Βεβαιωθείτε ότι η αλυσίδα του πριονιού έχει τη σωστή τάνυση. Μια αλυσίδα χωρίς τη σωστή τάνυση κινείται προς τη μία πλευρά και δεν ακονίζεται σωστά.
2. Χρησιμοποιήστε τη λίμα σε όλα τα δόντια από τη μία πλευρά. Στη συνέχεια, χρησιμοποιήστε τη λίμα στα κοπτικά δόντια από την εσωτερική επιφάνεια και μειώστε την πίεση στην αντίστροφη κατεύθυνση.
3. Γυρίστε το προϊόν από την ανάποδη πλευρά και χρησιμοποιήστε τη λίμα στα δόντια.
4. Χρησιμοποιήστε τη λίμα για να διατηρήσετε όλα τα δόντια στο ίδιο μήκος. Αντικαθιστάτε μια φθαρμένη αλυσίδα πριονιού, όταν το μήκος των κοπτικών δοντιών μειωθεί σε 4 mm (5/32 in).

Προσαρμογή της ρύθμισης μετρητή βάθους

Ακονίστε τα κοπτικά δόντια πριν από την προσαρμογή της ρύθμισης μετρητή βάθους. Ανατρέξτε στην ενότητα *Ακόνισμα κοπτικών δοντιών στη σελίδα 179*. Όταν ακονίζετε το κοπτικό δόντι (A), η ρύθμιση του μετρητή βάθους (C) μειώνεται. Για να διατηρείται η βέλτιστη απόδοση κοπής, ο μετρητής βάθους (B) πρέπει να ακονίζεται, ώστε να επιτυγχάνεται η συνιστώμενη ρύθμιση μετρητή βάθους. Βλ. *Ακόνισμα αλυσίδας πριονιού και συνδυασμοί αλυσίδας πριονιού στη σελίδα 182* για να βρείτε τη σωστή ρύθμιση μετρητή βάθους για την αλυσίδα σας.

(Εικ. 79)

(Εικ. 80)

Περιεχόμενα Αυτή η σύσταση θεωρεί δεδομένο ότι το μήκος των κοπτικών δοντιών δεν μειώνεται υπερβολικά.

Χρησιμοποιήστε μια επίπεδη λίμα και ένα όργανο μέτρησης βάθους για τη ρύθμιση του μετρητή βάθους.

1. Τοποθετήστε το όργανο μέτρησης βάθους πάνω από την αλυσίδα του πριονιού. Μπορείτε να βρείτε λεπτομερείς πληροφορίες σχετικά με τον τρόπο χρήσης του οργάνου μέτρησης βάθους στη συσκευασία του οργάνου μέτρησης βάθους.
2. Χρησιμοποιήστε την επίπεδη λίμα για να λιμάρετε τη μύτη (άκρη) του μετρητή βάθους που προεξέχει από το όργανο μέτρησης βάθους. Η ρύθμιση του μετρητή βάθους είναι σωστή όταν δεν νιώθετε πλέον αντίσταση καθώς περνάτε τη λίμα κατά μήκος του οργάνου μέτρησης βάθους.

Τέντωμα της αλυσίδας πριονιού

Περιεχόμενα Να ελέγχετε συχνά την τάνυση μιας νέας αλυσίδας πριονιού κατά τη διάρκεια της περιόδου στρωσίματος.

1. Χαλαρώστε τα παξιμάδια της λάμας που συγκρατούν το κάλυμμα του οδοντωτού τροχού. Χρησιμοποιήστε το συνδυαστικό κλειδί. (Εικ. 81)
2. Σφίξτε τα παξιμάδια της λάμας με το χέρι, όσο πιο καλά μπορείτε.
3. Σηκώστε το πάνω μέρος της λάμας και επεκτείνετε την αλυσίδα του πριονιού σφιγγοντας τη βίδα τετνώματος αλυσίδας. Χρησιμοποιήστε το συνδυαστικό κλειδί. Σφίξτε την αλυσίδα του πριονιού μέχρι να μην κρέμεται κάτω από την κάτω πλευρά της λάμας. (Εικ. 82)
4. Σφίξτε τα παξιμάδια της λάμας χρησιμοποιώντας το συνδυαστικό κλειδί και σηκώστε ταυτόχρονα το πάνω μέρος της λάμας. (Εικ. 83)
5. Βεβαιωθείτε ότι μπορείτε να γυρίσετε γύρω-γύρω την αλυσίδα του πριονιού ελεύθερα με το χέρι και ότι δεν κρέμεται. (Εικ. 84)

Λίπανση του εξοπλισμού κοπής

Έλεγχος της λίπανσης της αλυσίδας του πριονιού

Ελέγξτε τη λίπανση της αλυσίδας του πριονιού κάθε φορά που βάξετε καύσιμο.

1. Εκκινήστε το προϊόν και αφήστε το να λειτουργήσει στα 3/4 της ταχύτητας. Στρέψτε το άκρο της λάμας σε μια ανοιχτόχρωμη επιφάνεια σχεδόν 20 cm (8 in) μακριά.
2. Μετά από 1 λεπτό σε λειτουργία, μια γραμμή λαδιού εμφανίζεται στην ανοιχτόχρωμη επιφάνεια.
3. Εάν δεν μπορείτε να δείτε τη γραμμή του λαδιού μετά από 1 λεπτό, καθαρίστε το κανάλι λαδιού στη λάμα. Καθαρίστε την εγκοπή στο άκρο της λάμας. Βεβαιωθείτε ότι το γρανάζι της μύτης της λάμας περιστρέφεται ελεύθερα και ότι δεν υπάρχουν εμπλοκές στην οπή λίπανσης. Καθαρίστε και λιπάνετε το γρανάζι της άκρης της λάμας.
4. Εκκινήστε το προϊόν και αφήστε το να λειτουργήσει στα 3/4 της ταχύτητας. Στρέψτε το άκρο της λάμας σε

- για ανοιχτόχρωμη επιφάνεια σχεδόν 20 cm (8 in) μακριά.
5. Μετά από 1 λεπτό σε λειτουργία, μια γραμμή λαδιού εμφανίζεται στην ανοιχτόχρωμη επιφάνεια.

6. Εάν δεν μπορείτε να δείτε τη γραμμή λαδιού μετά από 1 λεπτό, απευθυνθείτε σε εγκεκριμένο αντιπρόσωπο.

ΜΕΤΑΦΟΡΑ

- Αδειάστε το καύσιμο και το ντεπόζιτο λαδιού αλυσίδας πριν τη μεταφορά. Απορρίψτε σωστά τα χρησιμοποιημένα υγρά.
- Τοποθετήστε το κάλυμμα της λάμας στο παρελκόμενο κοπής κατά τη μεταφορά. Αυτό αποτρέπει την κατά λάθος επαφή απόμων με την κοφτερή αλυσίδα του πριονιού. Ακόμα και εκτός λειτουργίας, η αλυσίδα του πριονιού μπορεί να προκαλέσει τραυματισμό σε εσάς ή σε άλλα άτομα που θα αγγίξουν μια αιχμηρή αλυσίδα πριονιού.
- Αφαιρέστε το καπάκι του μπουζι από το μπουζι και συμπλέξτε το φρένο αλυσίδας πριν από τη μεταφορά.
- Βεβαιωθείτε ότι το προϊόν δεν μπορεί να μετακινηθεί κατά τη μεταφορά.

ΦΥΛΑΞΗ

- Να τοποθετείτε πάντα το προϊόν μακριά και με ασφάλεια όταν δεν είναι σε λειτουργία. Οι διαρροές και οι αναθυμιάσεις από το προϊόν μπορεί να έρθουν σε επαφή με σπινθήρες, ακάλυπτες φλόγες του ηλεκτρικού εξοπλισμού, ηλεκτρικά χλοοκοπτικά, ρελέ/διακόπτες, λέβητες και περισσότερα.
- Να αποθηκεύετε πάντα τα καύσιμα σε ένα εγκεκριμένο δοχείο καυσίμου.
- Αδειάστε τα καύσιμα και το ντεπόζιτο λαδιού αλυσίδας όταν αποθηκεύετε το προϊόν για μεγάλο χρονικό διάστημα. Απορρίψτε σωστά τα χρησιμοποιημένα υγρά.
- Κατά τη διάρκεια της αποθήκευσης, τοποθετήστε το κάλυμμα της λάμα στη λάμα. Αυτό αποτρέπει την κατά λάθος επαφή με την κοφτερή αλυσίδα του πριονιού. Ακόμα και εκτός λειτουργίας, η αλυσίδα του πριονιού μπορεί να προκαλέσει σοβαρό τραυματισμό σε εσάς ή σε άτομα που θα αγγίξουν μια αιχμηρή αλυσίδα πριονιού.
- Αφαιρέστε το καπάκι του μπουζι από το μπουζι και συμπλέξτε το φρένο αλυσίδας πριν από την αποθήκευση.

ΤΕΧΝΙΚΑ ΣΤΟΙΧΕΙΑ

	μονάδα	130 (H13038HV)	135 Mark II (H13038HV)
Προδιαγραφές κινητήρα			
Κυβισμός κυλίνδρου	cm ³	38	38
Μπουζι	—	NGK BPMR 7A	NGK BPMR 7A
Διάκενο ηλεκτροδίου	mm (ίντσες)	0,5 (0,02)	0,5 (0,02)
Όγκος ντεπόζιτου καυσίμου	cm ³	350	350
Στροφές ανά λεπτό ρελαντί	min ⁻¹	2800-3200	2800-3200
Ισχύς εξόδου στα 9000 min ⁻¹	kW	1.5	1,6
Περίοδος διατήρησης εκπομπών	h	125	125
Δεδομένα θορύβου και κραδασμών			
Ισοδύναμη στάθμη κραδασμών (ahv, eq) αριστερή χειρολαβή ⁵⁶	m/s ²	3,72	3,72

⁵⁶ Η αντίστοιχη στάθμη δονήσεων υπολογίζεται ως το χρονικά υπολογισμένο σύνολο ενέργειας για τις στάθμες κραδασμών υπό διάφορες συνθήκες εργασίας. Τα καταγεγραμμένα στοιχεία για την ισοδύναμη στάθμη δονήσεων έχουν τυπική στατιστική διασπορά (τυπική απόκλιση) ίση με 1,5 m/s².

	μονάδα	130 (H13038HV)	135 Mark II (H13038HV)
Ισοδύναμη στάθμη κραδασμών (ahv, eq) δεξιά χειρολαβή ⁵⁷	m/s ²	5,5	5,5
Στάθμη ηχητικής ισχύος, εγγυημένη (L _{WA}) ⁵⁸	dB(A)	116	116
Επίπεδο ηχητικής ισχύος, μετρούμενο ⁵⁹	dB(A)	114	114
Στάθμη πίεσης ήχου στο αυτί του χειριστή ⁶⁰	dB(A)	102	102
Διαστάσεις προϊόντος			
Βάρος (χωρίς εξοπλισμό κοπής)	kg	4,68 (10,3)	4,68 (10,3)
Όγκος ντεπόζιτου λαδιού	cm ³	260	260
Σύστημα καυσίμου και λίπανσης			
Χωρητικότητα αντλίας λαδιού στα 9000 min ⁻¹	ml/min	9	9
Τύπος αντλίας λαδιού	—	Αυτόματο	Αυτόματο
Αλυσίδα πριονιού και λάμα			
Τυπικό μήκος λάμας	cm (ίντσες)	35-40 (14-16)	35-40 (14-16)
Συνιστώμενο μήκος λάμας	cm (ίντσες)	35-40 (14-16)	35-40 (14-16)
Χρήσιμο μήκος κοπής	cm (ίντσες)	33-38 (13-15)	33-38 (13-15)
Μέγιστη ταχύτητα αλυσίδας πριονιού	m/s	22,3	22,3
Βήμα αλυσίδας πριονιού	mm (ίντσες)	9,52 (3/8)	9,52 (3/8)
Πάχος των συνδέσμων συστήματος μετάδοσης κίνησης (μετρητής)	mm (ίντσες)	1,3 (0,050)	1,3 (0,050)
Τύπος του οδοντωτού τροχού μετάδοσης κίνησης	—	Κυλινδρικό γρανάζι	Κυλινδρικό γρανάζι
Αριθμός δοντιών οδοντωτού τροχού μετάδοσης κίνησης	—	6	6

⁵⁷ Η αντίστοιχη στάθμη δονήσεων υπολογίζεται ως το χρονικά υπολογισμένο σύνολο ενέργειας για τις στάθμες κραδασμών υπό διάφορες συνθήκες εργασίας. Τα καταγεγραμμένα στοιχεία για την ισοδύναμη στάθμη δονήσεων έχουν τυπική στατιστική διασπορά (τυπική απόκλιση) ίση με 1,5 m/s².

⁵⁸ Οι εκπομπές θορύβου στο περιβάλλον, οι οποίες μετρούνται ως ισχύς θορύβου (L_{WA}).

⁵⁹ Οι εκπομπές θορύβου στο περιβάλλον, οι οποίες μετρούνται ως ισχύς θορύβου (L_{WA}).

⁶⁰ Το αντίστοιχο επίπεδο ηχητικής πίεσης υπολογίζεται ως το χρονικά σταθμισμένο σύνολο ενέργειας για τα διαφορετικά επίπεδα ηχητικής πίεσης υπό διάφορες συνθήκες εργασίας. Η τυπική στατιστική διασπορά για το αντίστοιχο επίπεδο ηχητικής πίεσης είναι μία τυπική απόκλιση της τάξης του 2,5 dB (A).

ΑΞΕΣΟΥΑΡ

Συνδυασμοί λάμας οδήγησης και αλυσίδας πριονιού

Λάμα οδήγησης				Αλυσίδα πριονιού	
Μήκος	Βήμα	Οδηγός ακονίσματος	Μέγ. ακτίνα μύτης	Τύπος	Μέτρηση συνδέσμου συστήματος μετάδοσης κίνησης
14 inch	3/8 inch	0,050 inch	7T	Husqvarna H37	52
16 inch				Husqvarna S93G	56

Ακόνισμα αλυσίδας πριονιού και συνδυασμοί αλυσίδας πριονιού

Τύπος αλυσίδας	Μέγεθος στρογγυλής λιάμας	Γωνία πλευρικού τμήματος	Κορυφή πλευρικού τμήματος	Γωνία λάμας	Ρύθμιση οδηγού βάθους κοπής	Κωδ. ανταλλακτικού μετρητή βάθους	Κωδ. ανταλλακτικού οδηγού ακονίσματος
H37, S93G	5/32 in. 4,0 mm	80°	30°	0°	0,025 / 0,65	5056981-03	5052437-01

ΠΕΡΙΕΧΟΜΕΝΑ ΤΗΣ ΔΗΛΩΣΗΣ ΣΥΜΜΟΡΦΩΣΗΣ ΕΚ

Εμείς, η Husqvarna AB, SE 561 82 Huskvarna, Σουηδία, δηλώνουμε με αποκλειστική μας ευθύνη ότι το απεικονιζόμενο προϊόν:

Περιγραφή	Αλυσοπρίονο βενζίνης
Μάρκα	Husqvarna
Πλατφόρμα / Τύπος / Μοντέλο	Πλατφόρμα H13038HV, που αντιστοιχεί στα μοντέλα 130, 135 Mark II
Παρτίδα	Αριθμός σειράς με ημερομηνία 2018 και μεταγενέστερη

συμμορφώνεται πλήρως με τις ακόλουθες οδηγίες και τους κανονισμούς της ΕΕ:

Οδηγία/Κανονισμός	Περιγραφή
2006/42/ΕΚ	"σχετικά με τα μηχανήματα"
2014/30 /ΕΕ	"σχετικά με την ηλεκτρομαγνητική συμβατότητα"
2000/14/ΕΚ	"σχετικά με εξωτερικό θόρυβο"
2011/65/ΕΕ	"περιορισμό της χρήσης ορισμένων επικίνδυνων ουσιών"

Εφαρμοζόμενα εναρμονισμένα πρότυπα ή/και τεχνικές προδιαγραφές: EN ISO 12100, EN ISO 11681-1, C1SPR 12, ISO 14982

Σύμφωνα με την οδηγία 2000/14/ΕΚ, Παράρτημα V, οι δηλωθείσες τιμές για τον ήχο αναφέρονται στο κεφάλαιο Τεχνικά στοιχεία αυτού του εγχειριδίου και στην υπογεγραμμένη Δήλωση Συμμόρφωσης ΕΕ.

Η TÜV Rheinland LGA προϊόντα GmbH, κοινοποιημένος φορέας για τα μηχανήματα (κοινοποίηση 0197), Tillystraße 2 - 90431 Nürnberg, Γερμανία, πραγματοποιεί μια εξέταση τύπου ΕΚ σύμφωνα με 2006/42/ΕΚ, άρθρο 12, παράγραφος 3b.

Το πιστοποιητικό εξέτασης τύπου, σύμφωνα με το Παράρτημα ΙΧ, το οποίο προβλέπεται από την υπογεγραμμένη Δήλωση Συμμόρφωσης, ισχύει για όλες τις μονάδες παραγωγής και χώρες προέλευσης που αναφέρονται πάνω στο προϊόν.

Αυτό το αλυσοπρίονο συμμορφώνεται με το δείγμα που υποβλήθηκε σε εξέταση τύπου ΕΚ.

Obsah

ÚVOD.....	184	PŘEPRAVA.....	194
BEZPEČNOST.....	185	SKLADOVÁNÍ.....	194
SESTAVENÍ.....	189	TECHNICKÉ ÚDAJE.....	194
PROVOZ.....	189	PŘÍSLUŠENSTVÍ.....	196
ÚDRŽBA.....	191	OBSAH PROHLÁŠENÍ O SHODĚ EU.....	196

ÚVOD

Návod k používání

Návod k obsluze byl původně napsán v angličtině. Návod k obsluze v ostatních jazycích jsou překlady z angličtiny.

Přehled

(Obr. 1)

1. Kryt válce
 2. Palivová pumpička
 3. Štítek s výrobním číslem
 4. Informační a výstražný štítek
 5. Stop spínač (vypínač zapalování)
 6. Zadní rukojeť
 7. Palivová nádrž
 8. Rukojeť startéru
 9. Kryt startéru
 10. Značka směru kácení
 11. Nádrž oleje na mazání řetězu
 12. Přední rukojeť
 13. Brzda řetězu a chránič levé ruky
 14. Tlumič výfuku
 15. Pilový řetěz
 16. Řetězové kolečko špičky lišty
 17. Vodicí lišta
 18. Šroub napínače řetězu (130)
 19. Šroub napínače řetězu (135 Mark II)
 20. Zubová opěrka
 21. Zachycovač řetězu
 22. Kryt spojky
 23. Chránič pravé ruky
 24. Páčka plynu
 25. Pojistka páčky plynu
 26. Kryt vodicí lišty
 27. Kombinovaný nástroj
 28. Návod k používání
- (Obr. 4) Použijte schválenou ochranu hlavy, ochranu sluchu a ochranu očí.
- (Obr. 5) Použijte schválené ochranné rukavice
- (Obr. 6) Výrobek odpovídá příslušným směrnici ES
- (Obr. 7) Hladina akustického výkonu
- (Obr. 8) Brzda řetězu, neaktivovaná (vlevo). Brzda řetězu, aktivovaná (vpravo)
- (Obr. 9) Ovládání sytiče
- (Obr. 10) Palivová pumpička
- (Obr. 11) Otvor pro doplnění paliva
- (Obr. 12) Plnění oleje na mazání řetězu
- (Obr. 13) Tento výrobek odpovídá příslušným směrnici EAC.
- (Obr. 14) Tento výrobek odpovídá příslušným směrnici platným v Ukrajině.
- (Obr. 15) Tento výrobek odpovídá příslušným směrnici platným v Koreji.
- (Obr. 16) Tento výrobek odpovídá příslušným směrnici platným v Japonsku.
- (Obr. 17) Hladina hluku
- (Obr. 18) Výrobek držte pevně oběma rukama.
- (Obr. 19) Nepoužívejte výrobek jednou rukou.
- (Obr. 20) Vyvarujte se kontaktu se špičkou vodicí lišty.
- (Obr. 21) Dávejte pozor na zpětný vrh.
- (Obr. 22) Tento výrobek odpovídá směrnici o elektromagnetické kompatibilitě platné v Austrálii a na Novém Zélandu.

Symbole na výrobku

(Obr. 2) Varování

(Obr. 3) Přečtěte si tento návod

Povšimněte si: Další symboly/štítky na produktu se týkají certifikačních požadavků pro další komerční oblasti.

Proposition 65

(Obr. 23)

EU V



VÝSTRAHA: Manipulace s motorem vede k zneplatnění typového schválení EU tohoto výrobku.

Odpovědnost za výrobek

Jak uvádí zákon o odpovědnosti za výrobek, neneseme odpovědnost za žádnou škodu způsobenou naším výrobkem, pokud:

- byl produkt nesprávně opraven,
- byl produkt opraven pomocí součástí od jiného výrobce nebo součástí, které nejsou výrobcem schváleny,
- má produkt příslušenství od jiného výrobce nebo příslušenství, které není výrobcem schváleno,
- produkt nebyl opraven ve schváleném servisním středisku nebo schváleným odborníkem.

BEZPEČNOST

Definice týkající se bezpečnosti

Níže uvedené definice uvádí úroveň vážnosti jednotlivých signálních slov.



VÝSTRAHA: Zranění osob.



VAROVÁNÍ: Poškození výrobku.

Povšimněte si: Díky těmto informacím je používání výrobku snazší.

Obecné bezpečnostní pokyny

- Používejte výrobek správně. Nesprávné používání může mít za následek zranění nebo smrt. Výrobek používejte pouze k činnostem uvedeným v tomto návodu. K jiným činnostem výrobek nepoužívejte.
- Přečtěte si pokyny v návodu a řiďte se jimi. Řiďte se bezpečnostními symboly a pokyny. Pokud se obsluha nebude řídit pokyny a symboly, může dojít ke zranění, poškození nebo smrti.
- Tento návod nevyhazujte. Použijte pokyny k sestavení, k používání a udržování výrobku v dobrém stavu. Použijte pokyny k správné montáži nástavců a příslušenství. Používejte pouze schválené nástavce a příslušenství.
- Nepoužívejte poškozený výrobek. Dodržujte plán údržby. Provádějte pouze údržbu, ke které najdete pokyny v tomto návodu. Veškerou údržbu musí provádět schválené servisní středisko.

- Tento návod nemůže obsahovat všechny situace, ke kterým při používání výrobku dochází. Buďte opatrní a používejte zdravý rozum. Výrobek nepoužívejte a neprovádějte údržbu, když si nejste jisti danou situací. Poradte se s odborníkem, prodejcem, servisním pracovníkem nebo schváleným servisním střediskem.
- Před montáží, uskladněním nebo údržbou výrobku odpojte kabel zapalovací svíčky.
- Pokud se změní původní specifikace výrobku, nepoužívejte ho. Bez schválení výrobcem neměňte žádné součásti výrobku. Používejte výhradně součásti schválené výrobcem. Nesprávná údržba může mít za následek zranění nebo smrt.
- Nevdechujte výpary motoru. Vdechování výfukových plynů motoru, olejové mlhy a pilin po dlouhou dobu představuje zdravotní riziko.
- Nestartujte výrobek uvnitř budovy ani v blízkosti hořlavých materiálů. Výfukové plyny jsou horké a mohou obsahovat jiskry, které by mohly zažehnout požár. Bez dostatečného proudění vzduchu může dojít k udušení oxidem uhelnatým.
- Tento výrobek vytváří během provozu elektromagnetické pole. Elektromagnetické pole může poškodit implantované lékařské přístroje. Před použitím výrobku se poraďte s lékařem a výrobcem implantovaných lékařských přístrojů.
- Zamezte používání výrobku dětmi.
- Zamezte používání výrobku osobami, které naznaží pokyny.
- Vždy sledujte osoby s fyzickým nebo mentálním postižením při práci s výrobkem. Vždy musí být přítomna zodpovědná dospělá osoba.
- Výrobek zamykejte na místě, kam nemají přístup děti a nežádoucí osoby.

- Produkt může způsobit vyvrstvení předmětu a následné poranění. Dodržujte bezpečnostní předpisy pro snížení rizika zranění a smrti.
- Neodcházejte od výrobku, když je spuštěný motor. Vypněte motor a přesvědčte se, že se řetěz neotáčí.
- Za případnou nehodu nese zodpovědnost obsluha výrobku.
- Před použitím se přesvědčte, že nejsou poškozeny součásti.
- Podrobnosti naleznete v mezinárodních a místních zákonech. Za určitých podmínek mohou použití výrobku zakazovat nebo omezovat.

Bezpečnostní pokyny pro provoz

- Souvislý nebo pravidelný provoz tohoto výrobku může způsobit onemocnění rukou, tzv. bílé prsty, nebo podobné zdravotní problémy způsobené vibracemi. Pokud používáte výrobek souvisle nebo pravidelně, kontrolujte stav rukou a prstů. Pokud ruce nebo prsty zblednou, bolí, cítíte mravenčení nebo jsou znečitlivěné, ukončete práce a promluvte si co nejdříve s lékařem.
- Před použitím zkontrolujte, že je výrobek zcela smontovaný.
- Produkt může způsobit vyvrstvení předmětu a následné poranění očí. Při práci s výrobkem vždy používejte schválenou ochranu očí.
- Dejte pozor, během práce se k vám může přiblížit dítě, aniž byste o tom věděli.
- Pokud se v pracovní oblasti vyskytují osoby, nepracujte. Když do pracovní oblasti vstoupí jiná osoba, výrobek vypněte.

(Obr. 24)

- Přesvědčte se, že máte výrobek stále pod kontrolou.
- Výrobek je nutné držet oběma rukama. Nepoužívejte výrobek jednou rukou. Při držení stroje pouze jednou rukou hrozí obsluze, pracovníkům, osobám v okolí či kombinaci těchto osob vážné zranění.
- Držte přední rukojeť levou rukou a zadní rukojeť pravou rukou. Výrobek držte po své pravé straně.

(Obr. 25)

- Nikdy výrobek nepoužívejte, jste-li unavení, nemocní nebo pod vlivem léků, alkoholu nebo drog.
- Pokud by vám v případě nehody neměl kdo pomoci, výrobek nepoužívejte. Než začnete výrobek používat, informujte o tom ostatní.
- Než se s výrobkem otočíte, přesvědčte se, že se v bezpečnostní oblasti nevyskytují žádné osoby ani zvířata.
- Než výrobek spustíte, odstraňte z pracovní oblasti případné nechtěné materiály. Pokud řetěz zasáhne nějaký předmět, může dojít k vyvrstvení předmětu a zranění nebo škodě. Nechtěný materiál se může namotat na řetěz a způsobit škodu.
- Výrobek nepoužívejte za špatného počasí, například za mlhy, deště, silného větru, nebezpečí blesku nebo jiného nepříznivého počasí. Špatné počasí

může způsobit nebezpečné podmínky, například kluzký povrch.

- Přesvědčte se, že se můžete volně pohybovat a pracovat ve stabilní poloze.
- Ujistěte se, že při používání výrobku nemůžete spadnout. Při používání výrobku se nenaklánějte.
- Výrobek vždy držte oběma rukama. Držte přední rukojeť levou rukou a zadní rukojeť pravou rukou. Výrobek držte po své pravé straně.
- Pokud je po spuštění motoru ovládání sycení v poloze sycení, řetěz se začne otáčet.
- Než výrobek začnete přesouvat, zastavte motor.
- Neodkládejte výrobek, když je spuštěný motor.
- Než se pokusíte odstranit nechtěný materiál z výrobku, vypněte motor. Než vy nebo pomocník začnete odstraňovat nechtěný materiál, nechte zastavit řetěz.
- Nepoužívejte tento výrobek na stromě. Při práci s výrobkem na stromě hrozí nebezpečí zranění osob.

(Obr. 26)

- Před nastartováním výrobku je nutné aktivovat brzdu řetězu, protože se tak sníží riziko kontaktu s řetězem pily během startování.

(Obr. 27)

- Eliminujte zpětný vrh, klouzání, odskakování a pád. Toto chování pily může vést k vážnému zranění.
- Dodržujte veškeré bezpečnostní pokyny, aby se zabránilo zpětnému vrhu a jiným silám, které mohou způsobit vážnému zranění.
- Pravidelně seřizujte napnutí řetězu pily, aby bylo zajištěno, že se neuvolní z vodící lišty. Nedostatečně napnutý řetěz pily může vyskočit a způsobit vážné zranění nebo usmrčení.
- Nekácejte stromy pomocí nesprávného postupu. Mohlo by dojít k zranění osob, poškození elektrického vedení nebo majetku.
- Uživatel by se měl zdržovat na vyšší straně terénu, jelikož má strom po pokácení většinou tendenci skotálet se nebo posunout směrem dolů.

(Obr. 28)

- Před provedením řezu si naplánujte a vyklidte únikovou cestu. Únikovou cestu je třeba rozšířit směrem dozadu a šikmo k zadní části očekávané linie pádu.

(Obr. 29)

- Než výrobek začnete přenášet mezi stromy, vždy vypněte motor.
- Udržujte pevné postavení nohou na zemi a rovnoměrně rozložte svoji váhu.

(Obr. 30)

- Vždy udržujte správný postoj a pracujte s výrobkem pouze tehdy, když stojíte na pevném, bezpečném a rovném povrchu. Kluzké nebo nestabilní povrchy, například žebříky, mohou způsobit ztrátu rovnováhy nebo kontroly.

(Obr. 31)

Zpětný vrh, klouzání, odskakování a pád

Na bezpečnou obsluhu výrobku mohou působit různé síly.

- **Klouzání** je, když se vodící lišta rychle pohybuje napříč dřevem.
- **Odskakování** je, když se lišta opakovaně zvedne ze dřeva a poté na dřevo spadne.
- **Pád** je, když výrobek spadne dolů po provedení řezu. To může vést k zasažení částí těla nebo dalších předmětů řetězem a k zranění nebo jiným škodám.
- **Zpětný vrh** je, když se špička vodící lišty dotkne nějakého předmětu a začne se pohybovat dozadu, nahoru nebo prudce dopředu. K zpětnému vrhu může také dojít, když během řezání dřeva sevře řetěz pily. Pokud výrobek přijde do styku s nějakým předmětem ve dřevu, může dojít ke ztrátě kontroly. (Obr. 32)
- **Rotací zpětný vrh** vzniká, když se běžící řetěz dostane do styku s nějakým předmětem na horním konci vodící lišty. To může způsobit zařiznutí do předmětu a okamžitě zastavení řetězu. Výsledkem je velmi rychlá opačná reakce, kdy se vodící lišta pohybuje nahoru a dozadu směrem k obsluze. (Obr. 33)
- **Zpětný vrh přiskřípnutím** vzniká, když se řetěz pily během řezu náhle zastaví. Dřevo se uzavře a přiskřípne pohybuující se řetěz pily podél horní části vodící lišty. Náhlé zastavení řetězu obrátí sílu řetězu a způsobí pohyb výrobku v opačném směru k otáčení řetězu. Výrobek se pohybuje dozadu směrem k obsluze. (Obr. 34)
- **Vtažení** vzniká, když přijde pohybuující se řetěz do styku s nějakým předmětem ve dřevu podél dolní části vodící lišty. V důsledku se řetěz pily náhle zastaví. Při náhlém zastavení dojde k vtažení výrobku směrem dopředu a od obsluhy, což může snadno vést k ztrátě kontroly nad výrobkem. (Obr. 35)

Před použitím výrobku se ujistěte, zda správně rozumíte různým silám a víte, jak je eliminovat. Viz *Jak zabránit zpětnému vrhu, klouzání, odskakování a pádu na strani 187.*

Jak zabránit zpětnému vrhu, klouzání, odskakování a pádu

- Když motor běží, držte pevně výrobek. Držte pravou rukou zadní rukojeť a levou rukou přední rukojeť. Pevně uchopte rukojeť palcem a prsty. Nenechte rukojeť vypadnout.
- Udržujte kontrolu nad výrobkem během řezu, a když dřevo spadne na zem. Nedovolte, aby hmotnost výrobku způsobila jeho pád po dokončení řezu.

- Zkontrolujte, zda nejsou v prostoru, v němž řezáte, přítomny překážky. Při obsluze výrobku nedovolte, aby špička vodící lišty přišla do styku s kmenem, větvením nebo jinými překážkami. (Obr. 36)
- Řezajte při vysokých otáčkách motoru.
- Nenatahujte se příliš ani neřežte výše, než jsou vaše ramena. (Obr. 37)
- Dodržujte pokyny pro ostření a údržbu pilového řetězu od výrobce.
- Používejte výhradně náhradní lišty a pilové řetězy předepsané výrobcem.
- Nebezpečí zpětného vrhu se zvyšuje, jestliže je výška omezovacích zubů příliš velká.

Osobní ochranné prostředky

- Při práci s výrobkem vždy používejte správné osobní ochranné prostředky. Osobní ochranné prostředky snižují závažnost zranění v případě nehody, ale neeliminují zcela možnost zranění.
- Nepoužívejte volný oděv, který se může zachytit v řetězu pily.
- Používejte schválenou ochrannou přilbu.
- Při práci s výrobkem vždy používejte schválenou ochranu sluchu. Dlouhodobé působení hluku může způsobit ztrátu sluchu.
- Používejte ochranné brýle nebo ochranný štít na obličej, abyste snížili nebezpečí zranění odletujícími předměty. Výrobek může uvést velkou pilou do pohybu předměty, jako jsou dřevěné piliny a malé kusy dřeva. V důsledku může dojít k vážnému zranění, včetně zranění očí.
- Používejte ochranné rukavice pro práci s motorovou pilou.
- Používejte ochranné kalhoty pro práci s motorovou pilou.
- Používejte ochrannou obuv pro práci s motorovou pilou s ocelovou špičkou a neklouzavou podrážkou.
- Přesvědčte se, že máte v dosahu k dispozici lékárničku.
- Jiskry mohou vylétávat z tlumiče výfuku, od lišty a řetězu pily nebo z jiných zdrojů. Vždy mějte při sobě hasicí prostředky a lopatku, aby se zabránilo lesním požárům.

Ochranná zařízení na produktu

- Nepoužívejte výrobek s poškozenými ochrannými prostředky. V případě poškození výrobku se obraťte na schválené servisní středisko.

Kontrola vypínače

1. Nastartujte motor. Viz *Před spuštěním motoru na strani 190.*
2. Zkontrolujte, zda se motor zastaví při přesunutí vypínače zapalování do polohy zastavení.

Kontrola pojistky spínače plynu

1. Při uvolnění pojistky spínače plynu (A) se přesvědčte, že je spínač plynu (B) zablokovaný ve volnoběžných otáčkách (Obr. 38).
2. Stiskněte pojistku spínače plynu (A) a zkontrolujte, zda se po uvolnění vrátí do své výchozí polohy.
3. Stiskněte spínač plynu (B) a zkontrolujte, zda se po uvolnění vrátí do své výchozí polohy.
4. Nastartujte motor a dejte plný plyn.
5. Uvolněte páčku plynu a zkontrolujte, jestli se pilový řetěz zastaví.
6. Pokud se řetěz pily otáčí, když je plyn v pozici volnoběhu, zkontrolujte stavěcí šroub karburátoru.

Kryt

Kryt brání odmrštění předmětů směrem k obsluze. Kryt také brání náhodnému kontaktu obsluhy s řetězem pily.

- Zkontrolujte, že je povoleno používat kryt v kombinaci s výrobkem.
- Nepoužívejte výrobek bez krytu.
- Zkontrolujte, zda není kryt poškozený. Vyměňte kryt, pokud je opotřebený nebo jsou na něm praskliny.

Bezpečnost při manipulaci s palivem

- Pokud je na výrobku palivo nebo olej, nespouštějte ho. Nechtěné palivo/olej z výrobku odstraňte a nechte výrobek uschnout. Nechtěné palivo z výrobku odstraňte.
- Pokud si palivem polijete oblečení, okamžitě se převlékněte.
- Zabraňte styku paliva s tělem, může způsobit zranění. Pokud se palivo na vaše tělo dostane, omyjte se vodou a mýdlem.
- Pokud polijete výrobek nebo sebe olejem nebo palivem, nespouštějte motor výrobku.
- Nepouštějte motor, pokud z něj něco uniká. Pravidelně kontrolujte, jestli z motoru nic neuniká.
- Při manipulaci s palivem buďte opatrní. Palivo je hořlavé a výpary jsou výbušné a můžou způsobit zranění nebo smrt.
- Nevdechujte palivové výpary, můžou způsobit zranění. Zajistěte dostatečný průtok vzduchu.
- V blízkosti paliva ani motoru nekuřte.
- Do blízkosti paliva ani motoru neumistujte horké předměty.
- Když je spuštěný motor, nedoplňujte palivo.
- Než začnete doplňovat palivo, přesvědčte se, že je motor studený.
- Než doplníte palivo, pomalu otevřete uzávěr palivové nádrže a opatrně uvolněte tlak.
- Palivo do motoru nedoplňujte ve vnitřních prostorech. Nedostatečné proudění vzduchu může způsobit zranění nebo smrt udušením nebo otravou kyslíčnickem uhelnatým.

- Uzávěr palivové nádrže pečlivě dotáhněte, aby nedošlo k požáru.
- Než výrobek spustíte, přejděte s ním minimálně 3 m (10 stop) od místa, kde jste doplňovali palivo.
- Palivovou nádrž nepřepĺňte.
- Přesvědčte se, že při pohybu výrobku nebo nádoby na palivo nemůže dojít k úniku.
- Výrobek ani nádobu na palivo neumistujte do míst s otevřeným ohněm, jiskrami nebo zapalovacími plamínkem. Přesvědčte se, že v oblasti uložení nevyskytuje otevřený plamen.
- Pro přenášení a skladování paliva používejte pouze schválené nádoby.
- Před dlouhodobým uskladněním vyprázdněte palivovou nádrž. Dodržujte místní zákony ohledně likvidace paliva.
- Před dlouhodobým uskladněním výrobek vyčistěte.
- Než výrobek uskladníte, odstraňte kabel zapalovací svíčky, aby motor nahodile nenastartoval.

Bezpečnostní pokyny pro údržbu

- Před prováděním údržby výrobku, kromě seřízení karburátoru, odpojte zapalovací svíčku.
- Servis celého výrobku, kromě úkonů uvedených v části **ÚDRŽBA na straně 191**, musí provést schválený prodejce.
- Zkontrolujte, zda se řetěz pily po uvolnění páčky plynu zastaví.
- Rukojeti udržujte suché, čisté a beze stop oleje nebo palivové směsi.
- Uzávěry a upevňovací prvky musí být řádně dotažené.
- Při použití neschválených náhradních dílů nebo odstranění bezpečnostních zařízení může dojít k poškození výrobku. Může také dojít k možnému zranění obsluhy či osob v okolí. Používejte výhradně příslušenství a náhradní díly podle doporučení. Nedomodifikujte výrobek.
- Udržujte pilový řetěz ostrý a čistý, aby byl zaručen bezpečný a vysoký výkon.
- Dodržujte pokyny ohledně mazání a výměny příslušenství.
- Zkontrolujte, zda nejsou díly výrobku poškozené. Před dalším použitím výrobku zkontrolujte, zda poškozený kryt nebo díl funguje správně. Zkontrolujte, zda nejsou přítomny prasklé nebo nesprávně zarovnané díly a díly, které se nepohybují volně. Provéřte další podmínky, které mohou ovlivnit provoz výrobku. Zkontrolujte, zda je výrobek správně smontovaný. Kryt nebo jiné poškozené díly musí opravit či vyměnit schválený prodejce, není-li uvedeno jinak v návodu k používání.
- Pokud není výrobek právě v provozu, uchovávejte jej na suchém, vysoko položeném nebo uzamčeném místě z dosahu dětí.
- Během přemístování či skladování používejte na výrobek kryt vodičí lišty nebo pouzdro.

- Nepoužívejte vyjetý olej. Vyjetý olej může být nebezpečný pro vás a životní prostředí a může poškodit výrobek.

SESTAVENÍ



VÝSTRAHA: Než začnete montovat výrobek, přečtěte si pozorně kapitolu o bezpečnosti.

Montáž vodící lišty a pilového řetězu

1. Před montáží sejměte koncovku kabelu zapalovací svíčky ze zapalovací svíčky, aby se zabránilo nahodilému spuštění motoru. (Obr. 39) (Obr. 40)
2. Povolte matice lišty a sejměte kryt spojky. Sundejte přepravní kryt (A). (Obr. 41)
3. Vložte vodící lištu na šrouby lišty. Posuňte vodící lištu do nejzazší polohy.
4. Použijte ochranné rukavice na řetězovou pilu.
5. Zvedněte pilový řetěz nad hnací řetězové kolo a zaveďte jej do drážky ve vodící liště. Začněte na horní straně vodící lišty. (Obr. 42)
6. Zkontrolujte, zda břity na řezacích člancích směřují na horním okraji vodící lišty dopředu.
7. Nasaďte kryt spojky a zasuňte trn napínače řetězu do otvoru ve vodící liště.
8. Zkontrolujte, zda vodící články pilového řetězu správně zapadají do hnacího řetězového kola. Dále zkontrolujte, zda je pilový řetěz řádně instalovaný v drážce vodící lišty.
9. Utáhněte prsty matice vodící lišty.
10. Napněte pilový řetěz otočením šroubu napínače řetězu ve směru hodinových ručiček pomocí kombinovaného klíče. Napněte pilový řetěz tak, aby nebyl prověšený pod vodící lištou, ale aby bylo možné jím snadno pohybovat rukou. (Obr. 43) a (Obr. 44)
11. Podržte konec vodící lišty nahoře a dotáhněte matice lišty pomocí kombinovaného klíče. (Obr. 45)
 - Po montáži nového pilového řetězu často zkontrolujte napnutí řetězu, dokud nebude zaběhnutý.
 - Pravidelně kontrolujte napětí řetězu. Správné napnutí řetězu umožňuje dobrý řezný výkon a dlouhou životnost.

PROVOZ



VÝSTRAHA: Než začnete s výrobkem pracovat, přečtěte si důkladně kapitolu o bezpečnosti.

Používání paliva



VAROVÁNÍ: Tento výrobek má dvoutaktní motor. Použijte směs benzínu a motorového oleje. Zajištění správného množství oleje ve směsi. Nesprávný poměr benzínu a oleje může způsobit poškození motoru.

Poměr palivové směsi

Poměr palivové směsi benzínu a oleje pro dvoutaktní motory je 50 : 1 (2 %)

Benzín	Olej pro dvoutaktní motory
1 U.S. Gal.	77 ml (2,6 oz)
1 UK Gal.	95 ml (3,2 oz)
5 l	100 ml (3,4 oz)

Výroba palivové směsi

1. Určete správné množství benzínu a motorového oleje (poměr směsi 50 : 1). Nevyrábějte víc palivové směsi, než kolik potřebujete na 30 dní. Viz *Poměr palivové směsi na strani 189.*
2. Nalijte polovinu množství benzínu do čistého kanystru na palivo s plnicím hrdlem s ochranou proti přeplnění.



VAROVÁNÍ: Nepoužívejte benzin s koncentrací etanolu vyšší než 10 % (E10). Můžete tím výrobek poškodit.



VAROVÁNÍ: Nepoužívejte benzin s oktanovým číslem nižším než 90 RON (87 AKI). Můžete tím výrobek poškodit.

Povšimněte si: Pokud výrobek používáte často s průběžně vyššími otáčkami motoru, používejte benzin s vyšším oktanovým číslem.

3. Nalijte do kanystru na palivo celé množství oleje pro dvoutaktní motory.



VAROVÁNÍ: Vždy používejte vysoce kvalitní olej pro vzduchem chlazené dvoutaktní motory. Jiné typy olejů mohou způsobit poškození výrobku.

4. Protřepáním směs promíchejte.
5. Nalijte zbývající množství benzínu do kanystru na palivo.
6. Protřepáním směs promíchejte.
7. Doplněte do palivové nádrže výrobku palivovou směs. Viz *Poměr palivové směsi na straně 189.*

Doplňování paliva do palivové nádrže

1. Zkontrolujte, zda je palivová směs správná a zda je palivo v kanystru na palivo s plnicím hrdlem s ochranou proti přeplnění.
2. Pokud je nějaké palivo na kanystru, odstraňte ho a nechte kanistr uschnout.
3. Okolí uzávěru palivové nádrže musí být čisté.
4. Odšroubujte víčko palivové nádrže. (Obr. 46)
5. Než nalijete palivovou směs do palivové nádrže, protřepejte nádobu s palivem.
6. Našroubujte zpět víčko palivové nádrže.

Mazání pilového řetězu

Výrobek je vybaven automatickým systémem mazání. Používejte správný olej na mazání řetězu a dodržujte pokyny.

1. Používejte rostlinný olej na mazání pilového řetězu nebo standardní olej na mazání řetězu.
2. Zkontrolujte, zda je oblast v blízkosti víčka nádrže oleje na mazání pilového řetězu čistá.
3. Odšroubujte víčko nádrže oleje na mazání pilového řetězu.
4. Doplněte do nádrže doporučený olej na mazání pilového řetězu.
5. Zašroubujte víčko nádrže oleje na mazání pilového řetězu.

Před spuštěním motoru

- Zkontrolujte, jestli na výrobku nechybí součásti, nejsou povolené nebo opotřebované.
- Zkontrolujte matice, vruty a šrouby.
- Zkontrolujte vzduchový filtr.
- Zkontrolujte správnou funkci pojistky spínače plynu a ovládání plynu.
- Zkontrolujte správnou funkci vypínače zapalování.
- Zkontrolujte, zda z výrobku neuniká palivo.
- Zkontrolujte ostrost a napnutí pilového řetězu.

Spuštění studeného motoru

1. Posunutím ochranného krytu levé ruky dopředu aktivujte brzdu řetězu. (Obr. 47)
2. Vytáhněte ovládání sytiče ven a nahoru.

3. 6krát stiskněte palivovou pumpičku. (Obr. 48)
4. Přitiskněte celý výrobek k zemi levou rukou. Na výrobek nešlapejte. Lehce táhněte za rukojeť startéru, až pocítíte odpor. Potom za rukojeť startéru zatáhněte silou. (Obr. 49)

Povšimněte si: Při startování motoru nevytahujte spínač plynu.

5. Tahejte za rukojeť startéru, dokud se motor nenastartuje nebo se nepokusí spustit (maximálně 3 zatažení). Pokud motor nastartuje nebo se pokusí rozběhnout, stlačte ovladač sytiče směrem dolů. (Obr. 50)



VAROVÁNÍ: Nevytahujte rukojeť startéru až na doraz. Když je lano startéru zcela vytažené, nepouštějte ho. Pouštějte lano startéru pomalu. Pokud tyto pokyny nedodržíte, může dojít k poškození motoru.

6. Tahejte, dokud motor nenastartuje. Po nastartování počkejte 60 sekund a poté vytáhněte spínač plynu.
7. Zatažením ochranného krytu levé ruky zpět k přední rukojeti deaktivujte brzdu řetězu.
8. Držte zadní rukojeť v pravé ruce, přední rukojeť v levé.
9. Použijte výrobek.

Spuštění teplého motoru

1. Posunutím ochranného krytu levé ruky dopředu aktivujte brzdu řetězu. (Obr. 51)
2. Vytáhněte ovládání sytiče ven a nahoru.
3. 6krát stiskněte palivovou pumpičku. (Obr. 52)
4. Zatláče ovládání sytiče dolů. (Obr. 53)
5. Přitiskněte celý výrobek k zemi levou rukou. Na výrobek nešlapejte. Lehce táhněte za rukojeť startéru, až pocítíte odpor. Potom za rukojeť startéru zatáhněte silou. (Obr. 54)



VAROVÁNÍ: Nevytahujte rukojeť startéru až na doraz. Když je lano startéru zcela vytažené, nepouštějte ho. Pouštějte lano startéru pomalu. Dodržujte tyto pokyny, aby se zabránilo poškození motoru.

Povšimněte si: Při startování motoru nevytahujte spínač plynu.

6. Tahejte za rukojeť startéru, dokud se motor nenastartuje nebo se nepokusí spustit (maximálně 3 zatažení). Po nastartování počkejte 60 sekund a poté vytáhněte spínač plynu.
7. Zatažením ochranného krytu dozadu směrem k přední rukojeti deaktivujte brzdu řetězu.

- Držte zadní rukojeť v pravé ruce, přední rukojeť v levé.
- Použijte výrobek.

Spouštění motoru, když je palivo příliš horké

Pokud výrobek nestartuje, může být palivo příliš horké.

Povšimněte si: Vždy používejte nové palivo a v teplém počasí zkrátte dobu provozu.

- Umístěte výrobek na chladné místo chráněné před přímým slunečním světlem.
- Nechejte výrobek vychladnout minimálně 20 minut.
- Stiskněte opakovaně palivovou pumpičku po dobu 10 až 15 sekund.
- Postupujte podle pokynů pro spouštění studeného motoru. Viz *Spouštění studeného motoru na strani 190*.

Zastavení

- Stisknutím vypínače zapalování vypněte motor.

Povšimněte si: Vypínač se automaticky vrátí do původní polohy.

Použití zubové opěrky

Zubová opěrka brání zpětnému vrhu a přidržuje pilu na dřevě během řezu. Zubová opěrka je otočným bodem mezi tělem motoru a vodící lištou.

- Položte dolní část zubové opěrky ve správné šířce závěsu.
- Zatlačte levou rukou proti přední rukojeti a současně zvedněte zadní rukojeť pravou rukou.
- Řezejte, dokud nezískáte správnou šířku závěsu.

Povšimněte si: Závěs musí mít rovnoměrnou tloušťku.

- Uřízněte více než polovinu průměru a poté vložte kácecí klín do zářezu pily.

Kácení stromů

- Odstraňte nečistoty, kameny, volnou kůru, hřebíky, skoby a dráty ze stromu.
- Vytvořte zářez do 1/3 průměru stromu, kolmo ke směru kácení. (Obr. 55)

- Vytvořte dolní vodorovný zářez. Tím se zabrání sevření pilového řetězu nebo vodící lišty při vytváření druhého zářezu.
- Proveďte hlavní řez (X) minimálně 50 mm (2 palce) nad vodorovným zářezem. Provádějte hlavní řez rovnoběžně s vodorovným zářezem tak, aby mohla dostatečná část dřeva působit jako závěs. Neřežte dále, než je závěs. Závěs brání krocení dřeva a pádu v nesprávném směru. (Obr. 56) a (Obr. 57)
- Jak se hlavní řez blíží závěsu, strom začne padat. Zkontrolujte, zda může strom padat ve správném směru a zda se nespáží dozadu a nespáží pilu. Aby se tomu zabránilo, přestaňte řežat před dokončením hlavního řezu. Pomocí dřevěných, plastových nebo hliníkových klínů otevřete řez a nechte strom spadnout v požadované linii pádu stromu. (Obr. 58)
- Když začne strom padat, vyjměte výrobek z řezu. Vypněte motor, položte výrobek a použijte naplánovanou únikovou cestu. Dávejte pozor na padající větve nad sebou a sledujte, kam šlapete. (Obr. 59)

Odvětvění stromu

- Využijte větší větve k přidržování kmene nad zemí.
- Malé větve odřízněte jedním řezem. (Obr. 60)
- Větve pod napětím řežte odspodu nahoru, aby se zabránilo přiskřípnutí řetězu pily nebo vodící lišty.

Řezání kmene na délku



VAROVÁNÍ: Řetězová pila nesmí přijít do styku se zemí.

- Pokud je kmen podepírán po celé délce, řežte z horní části kmenu (tzv. řezání shora). (Obr. 61)
- Pokud je kmen podepírán na jednom konci, vytvořte zářez 1/3 průměru od spodní části kmene (tzv. řezání zdola).
- Pokud je kmen podepřen na dvou koncích, vytvořte zářez 1/3 průměru kmene shora. Dokončete řez uříznutím dolních 2/3 průměru kmene směrem k prvnímu řezu. (Obr. 62)
- Pokud řežete kmen na délku na svahu, vždy stůjte nad kmenem. Řežte kmen a udržujte plnou kontrolu nad výrobkem. U konce řezu uvolněte řezací tlak a pevně držte zadní a přední rukojeť. (Obr. 63)

ÚDRŽBA



VÝSTRAHA: Než začnete výrobek čistit, opravovat nebo provádět údržbu, přečtěte si důkladně kapitolu o bezpečnosti.

Schéma technické údržby

Vždy dodržujte plán údržby. Intervaly se vypočítávají z každodenního používání výrobku. Pokud výrobek nepoužíváte každý den, intervaly se liší. Provádějte pouze údržbu, kterou najdete v tomto návodu. Pokud

chcete provést údržbu, která není v tomto návodu uvedena, obraťte se na schválené servisní středisko.

Denní údržba

- Vyčistěte vnější povrchy.
- Zkontrolujte, zda pojistka spínače a spínač fungují správně.
- Vyčistěte brzdu řetězu a zkontrolujte, zda funguje správně.
- Zkontrolujte, zda není poškozený zachycovač řetězu. Vyměňte poškozený zachycovač řetězu.
- Denně otáčejte vodicí lištu, aby se opotřebovávala stejnoměrně.
- Zkontrolujte, zda není mazací otvor ve vodicí liště ucpaný.
- Odstraňte piliny a jiný nechtěný materiál z prostoru pod krytem řetězového kolečka.
- Vyčistěte drážku vodicí lišty.
(Obr. 64)
- Zkontrolujte, zda jsou vodicí lišta a pilový řetěz dostatečně promazané.

- U pilového řetězu zkontrolujte následující položky:
 - praskliny v nýtech a člancích,
 - nepravidelně opotřebované nýty a články,
 - správné napnutí,
 - otřepy na vodicích člancích řetězu.

V případě potřeby vyměňte pilový řetěz.

- Naostříte pilový řetěz. Viz *Ostření pilového řetězu na strani 193*.
- Zkontrolujte, zda není příliš opotřebovaná hnací řetězové kolo, a v případě potřeby je vyměňte.
(Obr. 65)
- Vyčistěte přívod vzduchu na krytu motoru.
- Zkontrolujte, zda jsou matice a šrouby dotažené.
- Zkontrolujte, zda vypínač funguje správně.

Týdenní údržba

- Zkontrolujte, zda chladicí systém funguje správně.
- Zkontrolujte, zda startér, startovací šňůra a vratná pružina fungují správně.
- Zkontrolujte, zda nejsou poškozené antivibrační prvky.

(Obr. 66)

- Zbruste veškeré otřepy z hran vodicí lišty.
- Vyčistěte nebo vyměňte sítko lapače jisker na tlumiči výfuku.

(Obr. 67)

- Vyčistěte vnější povrch karburátoru a okolních ploch.
- Vyčistěte vzduchový filtr. Instalujte nový vzduchový filtr, pokud je poškozený nebo příliš znečištěný, že jej není možné vyčistit. Více informací naleznete v části *Čištění vzduchového filtru na strani 193*.

Měsíční údržba

- Zkontrolujte pás brzdy na brzdě řetězu ohledně opotřebení. Vyměňte pás brzdy, pokud je tloušťka menší než 0,6 mm (0,024 palce) na nejméně opotřebovaném místě.

(Obr. 68)

- Zkontrolujte střed spojky, buben spojky a pružinu spojky ohledně opotřebení.
- Vyčistěte zapalovací svíčku. Zkontrolujte, zda je vzdálenost elektrod správná.

(Obr. 69)

- Vyčistěte vnější povrch karburátoru a okolních ploch.
- Zkontrolujte stav palivového filtru a hadice přívodu paliva. V případě potřeby je vyměňte.
- Vyprázdněte palivovou nádrž.
- Vyprázdněte olejovou nádrž.
- Zkontrolujte všechny elektrické kabely a konektory.

Roční údržba

- Zkontrolujte zapalovací svíčku.
- Vyčistěte vnější povrch karburátoru a okolních ploch.
- Vyčistěte chladicí systém.
- Zkontrolujte sítko lapače jisker.
- Zkontrolujte palivový filtr.
- Zkontrolujte, zda není poškozená palivová hadice.
- Zkontrolujte všechny elektrické kabely a konektory.

Periodická údržba

- Ve schváleném servisním středisku nechejte po 50 hodinách provozu opravit nebo vyměnit tlumiči výfuku.
- Proveďte údržbu zapalovací svíčky, pokud:
 - je nízký výkon motoru,
 - motor se špatně startuje,
 - motor nefunguje správně ve volnoběžných otáčkách.
- Při každém doplňování paliva zkontrolujte mazání pilového řetězu. Viz *Kontrola mazání pilového řetězu na strani 194*.

Úprava volnoběžných otáček

Než nastavíte volnoběh, zkontrolujte čistotu vzduchového filtru a to, zda je nasazen kryt vzduchového filtru.

1. Otáčejte stavěcím šroubem označeným písmenem „T“ ve směru hodinových ručiček, dokud se pilový řetěz nezačne otáčet.
2. Otáčejte stavěcím šroubem označeným písmenem „T“ proti směru hodinových ručiček, dokud se pilový řetěz nepřestane otáčet.
3. Volnoběžné otáčky musí být nižší než otáčky, když se pilový řetěz začne pohybovat. Rychlost volnoběhu je správná tehdy, když má motor klidný chod v každé poloze.

Údržba sítka lapače jisker

- Vyčistěte sítko lapače jisker drátěným kartáčem. (Obr. 70)

Údržba zapalovací svíčky



VAROVÁNÍ: Použijte doporučenou zapalovací svíčku. Ujistěte se, že je náhradní díl stejný, jako díl dodaný výrobcem. Nesprávná zapalovací svíčka může výrobek poškodit.

1. Pokud nelze výrobek snadno spustit či používat, zkontrolujte, zda se na zapalovací svíčce nenachází nechtěné materiály. Pro snížení nebezpečí přítomnosti nechtěných materiálů na elektrodách zapalovací svíčky:
 - a) zkontrolujte, zda jsou správně nastaveny volnoběžné otáčky;
 - b) zkontrolujte správnost palivové směsi;
 - c) zkontrolujte, zda je vzduchový filtr čistý.
2. Pokud je zapalovací svíčka znečištěná, vyčistěte ji. Zkontrolujte, zda je vzdálenost elektrod správná. (Obr. 71)
3. V případě potřeby zapalovací svíčku vyměňte.

Čištění vzduchového filtru

1. Odmontujte kryt vzduchového filtru a vzduchový filtr. (Obr. 72)
2. Vyčistěte filtr teplou mýdlovou vodou. Před montáží zkontrolujte, že je vzduchový filtr suchý.
3. Pokud je vzduchový filtr tak znečištěný, že jej nelze vyčistit, vyměňte ho. Poškozený vzduchový filtr vždy vyměňte.

Ostření pilového řetězu

Řezací článek

Řezná část řetězu pily se nazývá řezací článek a skládá se z řezacího zubu (A) a bříty omezovacího zubu (B). Hloubka řezu řezacího článku je vytvořena výškovým rozdílem mezi dvěma nastaveními omezovacího zubu (C).

(Obr. 73)

Při broušení řezacího zubu musíte mít na paměti čtyři důležité faktory:

- Úhel broušení.

(Obr. 74)

- Úhel bříty.

(Obr. 75)

- Poloha pilníku.

(Obr. 76)

- Průměr pilníku.

(Obr. 77)

Ostření řezacího zubu

Pomocí kulatého pilníku a vodička pilníku naostříte řezací zuby. Informace o doporučeném rozměru pilníku a vodička pilníku pro daný pilový řetěz instalovaný na vašem výrobku naleznete v části *Pilování řetězu pily a kombinace pilových řetězů na strani 196*. (Obr. 78)

1. Zkontrolujte, zda je pilový řetěz správně napnutý. Řetěz bez správného napnutí se pohybuje do jedné strany a nelze jej řádně naostřit.
2. Pomocí pilníku zbruste všechny zuby na jedné straně. Poté použijte pilník na řezací zuby z vnitřní strany a tlačte méně při zpětném pohybu.
3. Otočte výrobek na opačnou stranu a pomocí pilníku zbruste zuby.
4. Snažte se zuby zbrusit tak, aby měly všechny zuby stejnou délku. Vyměňte opotřebovaný pilový řetěz, když je délka řezacích zubů menší než 4 mm (5/32 palce).

Nastavení výšky omezovacího zubu

Před nastavením výšky omezovacích zubů naostříte řezací zuby. Viz *Ostření řezacího zubu na strani 193*. Při ostření řezacích zubů (A) zmenšujete vůli omezovacích zubů (C) (hloubku řezu). Abyste udrželi řezný výkon, musíte zbrusit omezovací zuby (B) na doporučenou výšku. Správné nastavení výšky omezovacích zubů pro váš řetěz naleznete v části *Pilování řetězu pily a kombinace pilových řetězů na strani 196*.

(Obr. 79)

(Obr. 80)

Povšimněte si: Toto doporučení předpokládá, že délka řezacích zubů není nadměrně zmenšena.

Pomocí plochého pilníku a měrky snížení omezovacích zubů upravte výšku omezovacích zubů.

1. Položte měrku snížení omezovacích zubů nad pilový řetěz. Informace o používání měrky snížení omezovacích zubů naleznete na obalu.
2. Pomocí plochého pilníku odpilujte nadměrně přesahující část bříty omezovacích zubů. Vůle omezovacích zubů je správná, když při protahování pilníku přes vodičko nebudete cítit žádný odpor.

Napnutí pilového řetězu

Povšimněte si: Během zabíhání nového pilového řetězu často kontrolujte jeho napnutí.

1. Povolte matice vodicí lišty, které přidržují kryt řetězového kolečka. Použijte kombinovaný klíč. (Obr. 81)
2. Utáhněte co nejvíce rukou matice vodicí lišty.
3. Zdvihněte horní část vodicí lišty a napněte pilový řetěz utahováním šroubu napínáče řetězu. Použijte

- kombinovaný klíč. Napínejte pilový řetěz, dokud neodstraníte průvės na dolní straně vodící lišty. (Obr. 82)
4. Zdvihněte špičku vodící lišty a dotáhněte matice vodící lišty pomocí kombinovaného klíče. (Obr. 83)
 5. Zkontrolujte, zda lze volně táhnout pilovým řetězem po liště a zda není prověšený.(Obr. 84)

Mazání řezacího vybavení

Kontrola mazání pilového řetězu

Při každém doplňování paliva zkontrolujte mazání řetězové pily.

1. Nastartujte výrobek a nechte jej běžet 3/4 rychlostí. Namiřte špičku vodící lišty na světlý povrch ze vzdálenosti přibližně 20 cm (8 palců).
2. Po 1 minutě se na světlém povrchu objeví olejová čára.
3. Pokud se po 1 minutě nevytvoří olejová čára, vyčistěte olejový kanálek ve vodící liště. Vyčistěte drážku na hraně vodící lišty. Zkontrolujte, zda se vodící kolečko na špičce lišty volně otáčí a zda není ucpaný mazací otvor. Vyčistěte a promažte vodící kolečko na špičce lišty.
4. Nastartujte výrobek a nechte jej běžet 3/4 rychlostí. Namiřte špičku vodící lišty na světlý povrch ze vzdálenosti přibližně 20 cm (8 palců).
5. Po 1 minutě se na světlém povrchu objeví olejová čára.
6. Pokud se po 1 minutě nevytvoří olejová čára, obraťte se na schváleného prodejce.

PŘEPRAVA

- Před přepravou vyprázdněte palivovou nádrž a nádrž oleje na mazání řetězu. Použité kapaliny zlikvidujte řádným způsobem.
- Před přepravou nasuňte kryt vodící lišty na řezací vybavení. To zabrání nahodilému kontaktu osob s ostrým pilovým řetězem. Nepoužívaný pilový řetěz může způsobit zranění vám nebo jiným osobám, které s ním přijdou do styku.
- Před přepravou odpojte koncovku kabelu zapalovací svíčky a aktivujte brzdu řetězu.
- Zajistěte, aby se výrobek nemohl při přepravě pohybovat.

SKLADOVÁNÍ

- Vždy, když nepoužíváte výrobek, uložte jej na bezpečné místo. Uniklé kapaliny a plyny mohou přijít do styku s jiskrami, otevřeným ohněm z elektrických zařízení, elektrických sekaček, relé/přepínačů, kotlů a jiných zařízení.
- Vždy skladujte palivo ve schváleném kanystru.
- Pokud má být výrobek uskladněn na dlouhou dobu, vyprázdněte palivovou nádrž a nádrž oleje na mazání řetězu. Použité kapaliny zlikvidujte řádným způsobem.
- Před uskladněním nasadte na vodící lištu kryt vodící lišty. To zabrání nahodilému kontaktu osob s ostrým pilovým řetězem. Nepoužívaný pilový řetěz může způsobit vážné zranění vám nebo jiným osobám, které s ním přijdou do styku.
- Před uskladněním odpojte koncovku kabelu zapalovací svíčky a aktivujte brzdu řetězu.

TECHNICKÉ ÚDAJE

	jednotka	130 (H13038HV)	135 Mark II (H13038HV)
Vlastnosti motoru			
Zdvihový objem válce	cm ³	38	38
Zapalovací svíčka	—	NGK BPMR 7A	NGK BPMR 7A
Vzdálenost elektrod	mm (palce)	0,5 (0,02)	0,5 (0,02)
Objem palivové nádrže	cm ³	350	350
Volnoběžné otáčky	min ⁻¹	2800–3200	2800–3200
Výstupní výkon při 9000 min ⁻¹	kW	1,5	1,6

	jednotka	130 (H13038HV)	135 Mark II (H13038HV)
Životnost vzhledem k tvorbě emisí	h	125	125
Údaje o hluku a vibracích			
Ekvivalentní hladina vibrací (ahv, eq), levá rukojet ⁶¹	m/s ²	3,72	3,72
Ekvivalentní hladina vibrací (ahv, eq), pravá rukojet ⁶²	m/s ²	5,5	5,5
Hladina akustického výkonu, zaručená (L _{WA}) ⁶³	dB (A)	116	116
Hladina akustického výkonu, změřená ⁶⁴	dB (A)	114	114
Hladina akustického tlaku v úrovni uší obsluhy ⁶⁵	dB (A)	102	102
Rozměry produktu			
Hmotnost (bez sekacího ústrojí)	kg	4,68 (10,3)	4,68 (10,3)
Objem olejové nádrže	cm ³	260	260
Palivový a mazací systém			
Kapacita olejového čerpadla při 9000 min ⁻¹	ml/min	9	9
Typ olejového čerpadla	—	Automatická	Automatická
Pilový řetěz a vodící lišta			
Standardní délka vodící lišty	cm (palce)	35–40 (14–16)	35–40 (14–16)
Doporučená délka vodící lišty	cm (palce)	35–40 (14–16)	35–40 (14–16)
Využitelná délka řezu	cm (palce)	33–38 (13–15)	33–38 (13–15)
Maximální rychlost pilového řetězu	m/s	22,3	22,3
Rozteč pilového řetězu	mm (palce)	9,52 (3/8)	9,52 (3/8)
Tloušťka vodících článků (šířka)	mm (palce)	1,3 (0,050)	1,3 (0,050)
Typ hnacího řetězového kola	—	Ozubené kolečko	Ozubené kolečko
Počet zubů hnacího řetězového kola	—	6	6

⁶¹ Ekvivalentní hladina vibrací se počítá jako časově vážená celková energie pro hladiny vibrací za různých pracovních podmínek. Uváděná data pro ekvivalentní hladinu vibrací mají typickou statistickou odchylku (standardní odchylku) 1,5 m/s².

⁶² Ekvivalentní hladina vibrací se počítá jako časově vážená celková energie pro hladiny vibrací za různých pracovních podmínek. Uváděná data pro ekvivalentní hladinu vibrací mají typickou statistickou odchylku (standardní odchylku) 1,5 m/s².

⁶³ Emise hluku do okolí naměřené jako akustický výkon (L_{WA}).

⁶⁴ Emise hluku do okolí naměřené jako akustický výkon (L_{WA}).

⁶⁵ Ekvivalentní hladina akustického tlaku se počítá jako časově vážená celková energie pro různé hladiny akustického tlaku za různých pracovních podmínek. Typická statistická odchylka pro ekvivalentní hladinu akustického tlaku je standardní odchylka 2,5 dB(A).

PŘÍSLUŠENSTVÍ

Kombinace vodící lišty a pilového řetězu

Vodící lišta				Pilový řetěz	
Délka	Rozteč	Šířka	Maximální poloměr špičky	Typ	Počet vodících článků
14 palců	3/8 palce	0,050 palce	7T	Husqvarna H37	52
16 palců				Husqvarna S93G	56

Pilování řetězu pily a kombinace pilových řetězů

Typ řetězu	Velikost kulatého pilníku	Úhel bočního břitů	Úhel horního břitů	Úhel vodítka pilníku	Nastavení výšky ome-zovacího zubu	Měrka sní-žení ome-zovacích zubů, ob-jednací čí-slo dílu	Vodítko pil-níku, ob-jednací čí-slo dílu
H37, S93G	5/32 palce 4,0 mm	80°	30°	0°	0,025 / 0,65	5056981-03	5052437-01

OBSAH PROHLÁŠENÍ O SHODĚ EU

My, společnost Husqvarna AB, SE 561 82 Huskvarna, ŠVÉDSKO, zcela zodpovědně prohlašujeme, že příslušný výrobek:

Popis	Benzínová řetězová pila
Značka	Husqvarna
Platforma / typ / model	Platforma H13038HV, představující modely 130, 135 Mark II
Šarže	Výrobní číslo od roku 2018 a dále

je zcela ve shodě s následujícími směrnici a předpisy EU:

Směrnice/předpis	Popis
2006/42/ES	„o strojních zařízeních“
2014/30/EU	„o elektromagnetické kompatibilitě“

Směrnice/předpis	Popis
2000/14/ES	„o venkovním hluku“
2011/65/EU	„o omezení používání některých nebezpečných látek“

Platí následující harmonizované normy a/nebo technické specifikace: EN ISO 12100, EN ISO 11681-1, CISPR 12, ISO 14982

Deklarované úrovně hluku jsou uvedeny v části s technickými údaji této příručky a podepsaném prohlášení o shodě EU ve shodě se směrnicí 2000/14/ES, příloha V.

Společnost TÜV Rheinland LGA Products GmbH, ohlašovací úřad pro zařízení (ohlášeno pod číslem 0197), Tillystraße 2 – 90431 Norimberk, Německo, provedla typovou zkoušku ES podle směrnice 2006/42/ES, článek 12, odstavec 3b.

Certifikát o typové zkoušce podle přílohy IX, který je poskytnut na podepsaném prohlášení o shodě, se

vztahuje na všechny výrobní závody a země původu uvedené na produktu.

Tato řetězová pila je shodná se vzorkem, který prošel typovou zkouškou ES.

Sadržaj

UVOD.....	198	PRIJEVOZ.....	208
SIGURNOST.....	199	POHRANA.....	208
SASTAVLJANJE.....	203	TEHNIČKI PODACI.....	208
RAD.....	203	DODACI.....	210
ODRŽAVANJE.....	205	SADRŽAJ EUROPSKE DEKLARACIJE O USKLAĐENOSTI.....	210

UVOD

Korisnički priručnik

Prvi jezik u ovom korisničkom priručniku je engleski. Korisnički priručnici na drugim jezicima prijevod su iz engleskog jezika.

Pregled

(Sl. 1)

1. Pokrov cilindra
2. Pumpica za gorivo
3. Pločica s brojem proizvoda i serijskim brojem
4. Naljepnica s informacijama i upozorenjem
5. Prekidač za zaustavljanje
6. Stražnja ručka
7. Spremnik za gorivo
8. Drška užeta pokretača
9. Kućište pokretača
10. Oznaka smjera padanja
11. Spremnik ulja za lanac
12. Prednja ručka
13. Lanac pile i prednji štitičnik za ruku
14. Prigušivač
15. Lanac pile
16. Vršni zupčanik vodilice
17. Vodilica
18. Vijak za zatezanje lanca (130)
19. Vijak za zatezanje lanca (135 Mark II)
20. Šiljasti branik
21. Hvatač lanca
22. Pokrov spojke
23. Štitičnik desne ruke
24. Regulator gasa
25. Blokada regulatora gasa
26. Poklopac vodilice
27. Višenamjenski alat
28. Korisnički priručnik

Simboli na proizvodu

(Sl. 2) Upozorenje

- (Sl. 3) Pročitajte ovaj priručnik
- (Sl. 4) Upotrebljavajte odobrenu zaštitu za glavu, zaštitu sluha i zaštitu za oči
- (Sl. 5) Upotrebljavajte odobrene zaštitne rukavice
- (Sl. 6) Proizvod ispunjava mjerodavne direktive EC
- (Sl. 7) Razina buke
- (Sl. 8) Kočnica lanca, nije aktivirana (lijevo). Kočnica lanca, aktivirana (desno)
- (Sl. 9) Poluga čoka
- (Sl. 10) Pumpica za gorivo
- (Sl. 11) Punjenje goriva
- (Sl. 12) Punjenje ulja za lanac
- (Sl. 13) Ovaj proizvod ispunjava mjerodavne direktive EAC
- (Sl. 14) Ovaj proizvod ispunjava mjerodavne direktive u Ukrajini
- (Sl. 15) Ovaj proizvod ispunjava mjerodavne direktive u Koreji
- (Sl. 16) Ovaj proizvod ispunjava mjerodavne direktive u Japanu
- (Sl. 17) Jačina zvuka
- (Sl. 18) Čvrsto držite proizvod s obje ruke
- (Sl. 19) Nemojte ga upotrebljavati s jednom rukom
- (Sl. 20) Izbjegavajte kontakt s vrhom vodilice
- (Sl. 21) Pazite na povratni trzaj

(Sl. 22) Ovaj proizvod ispunjava mjerodavne direktive za elektromagnetsku usklađenost u Australiji i Novom Zelandu.

Napomena: Drugi simboli/naljepnice na proizvodu odnose se na zahtjeve za certifikaciju na drugim tržišnim područjima.

Prijedlog 65

(Sl. 23)

EU V



UPOZORENJE: Petljanjem po motoru gubite pravo na odobrenje EU-a ovog proizvoda.

Pouzdanost proizvoda

Sukladno zakonima o pouzdanosti proizvoda nismo odgovorni za oštećenja uzrokovana našim proizvodima ako je:

- proizvod nepravilno popravljen.
- proizvod popravljen dijelovima koje nije proizveo proizvođač ili nemaju odobrenje proizvođača.
- proizvod ima dodatnu opremu koje nije proizveo proizvođač ili nemaju odobrenje proizvođača.
- proizvod nije popravljen u odobrenom servisnom centru ili kod ovlaštene osobe.

SIGURNOST

Sigurnosne definicije

Definicije u nastavku prikazuju razinu ozbiljnosti svake signalne riječi.



UPOZORENJE: Ozljeđe osoba.



OPREZ: Oštećenje proizvoda.

Napomena: Informacije olakšavaju korištenje proizvoda.

Opće sigurnosne upute

- Proizvod koristite ispravno. Nepravilno korištenje može uzrokovati ozljede ili smrt. Proizvod koristite samo za zadatke iz ovog priručnika. Proizvod nemojte koristiti za druge zadatke.
- Pročitajte, usvojite i poštujujte upute iz ovog priručnika. Poštujte sigurnosne simbole i sigurnosne upute. Ako operater ne poštuje upute i simbole, može doći do ozljeda, oštećenja ili smrti.
- Čuvajte ovaj priručnik. Koristite upute za sastavljanje, korištenje i održavanje proizvoda. Koristite upute za pravilnu ugradnju priključaka i dodatne opreme. Koristite isključivo odobrene priključke i dodatnu opremu.
- Nemojte koristiti oštećen proizvod. Pridržavajte se rasporeda održavanja. Provodite samo radove održavanja za koje su u priručniku navedene upute. Svi drugi radovi održavanja moraju se provesti u odobrenom servisnom centru.

- Priručnik ne može sadržavati sve situacije koje mogu nastati prilikom korištenja proizvoda. Budite pažljivi i razumni. Nemojte koristiti ili održavati proizvod ako niste sigurni u situaciju. Informacije zatražite od stručnjaka za proizvod, servisera ili odobrenog servisnog centra.
- Prije sastavljanja, pohrane ili održavanja proizvoda odspojite kabel svjećice.
- Nemojte koristiti proizvod ako su mu promijenjene početne specifikacije. Nemojte mijenjati dio proizvoda bez odobrenja proizvođača. Koristite isključivo dijelove s odobrenjem proizvođača. Nepravilno održavanje može uzrokovati ozljede ili smrt.
- Nemojte udisati pare motora. Dugotrajno udisanje ispušnih para motora, isparavanja ulja za lanac i piljevine može predstavljati zdravstveni rizik.
- Proizvod nemojte pokretati u zatvorenom prostoru ili u blizini zapaljivog materijala. Ispušne pare su vruće i mogu sadržavati vruće iskre koje mogu uzrokovati požar. Bez dostatnog protoka zraka može doći do ozljeda ili smrti zbog gušenja ili ugljičnog monoksida.
- Proizvod tijekom rada proizvodi elektromagnetsko polje. Elektromagnetsko polje može oštetiti medicinske implantate. Prije uporabe proizvoda obratite se liječniku ili proizvođaču medicinskog implantata.
- Djeci nemojte dopustiti korištenje proizvoda.
- Osobama koje nisu upoznate s uputama nemojte dopustiti korištenje proizvoda.
- Osobu smanjenih fizičkih ili mentalnih sposobnosti obavezno nadzirite tijekom uporabe proizvoda. Cijelo vrijeme mora biti prisutna odgovorna odrasla osoba.
- Proizvod zaključajte u prostor u koji je djeci i neovlaštenim osobama onemogućen pristup.

- Proizvod može izbacivati predmete i uzrokovati ozljede. Poštujte sigurnosne upute kako biste smanjili opasnost od ozljede i smrti.
- Nemojte se udaljavati od proizvoda s uključenim motorom. Zaustavite motor i provjerite je li lanac zaustavljen.
- Za nezgode je odgovoran korisnik proizvoda.
- Prije korištenja proizvoda provjerite jesu li njegovi dijelovi neoštećeni.
- Pogledajte nacionalne ili lokalne zakone. Njima u određenim uvjetima može biti spriječeno ili ograničeno korištenje proizvoda.

Sigurnosne upute za rad

- Neprestana ili redovita upotreba proizvoda može uzrokovati bolest "bijelih prstiju" ili slične medicinske probleme uzrokovane vibracijama. Ako proizvod upotrebljavate neprestano ili redovito, pregledavajte stanje ruku i prstiju. Ako na rukama ili prstima dođe do promjene boje te ako osjetite bolove, trnce ili otupljenost, prekinite s radom i odmah se obratite liječniku.
- Prije korištenja proizvoda provjerite je li u potpunosti sastavljen.
- Proizvod može uzrokovati izbacivanje predmeta koji mogu ozlijediti oči. Prilikom korištenja proizvoda obavezno koristite odobrenu zaštitu za oči.
- Budite pažljivi, tijekom rada proizvod u se može približiti djetetu bez vašeg znanja.
- Proizvod nemojte koristiti ako se u radnom području zadržavaju druge osobe. Zaustavite proizvod ako druga osoba pristupi radnom području.

(Sl. 24)

- Obavezno kontrolirajte proizvod.
- Proizvodom se mora rukovati dvjema rukama. Proizvodom nemojte rukovati jednom rukom. Rukovanje jednom rukom može uzrokovati ozbiljne ozljede korisnika, radnika, promatrača ili kombinacije navedenih osoba.
- Prednju ručku držite lijevom rukom, a stražnju ručku desnom. Proizvod držite na desnoj strani tijela.

(Sl. 25)

- Proizvod nemojte upotrebljavati kada ste izmoreni, bolesni ili pod utjecajem alkohola ili drugih piyata.
- Nemojte koristiti proizvod ako ne možete primiti pomoć u slučaju nezgode. Prije pokretanja upozorite druge osobe kako ćete upotrebljavati proizvod.
- Nemojte se okretati s proizvodom prije nego provjerite ima li drugih osoba ili životinja u sigurnosnom području.
- Prije početka iz radnog područja uklonite sav neželjeni materijal. Ako lanac udari u predmet, može ga izbaciti i uzrokovati ozljedu ili oštećenje. Neželjeni materijal može se omotati oko lanca i tako ga oštetiti.
- Proizvod nemojte koristiti po lošem vremenu kao što je magla, kiša, jaki vjetar, grmljavina ili drugi nepovoljni vremenski uvjeti. Loše vrijeme može

uzrokovati opasne uvjete, primjerice klizave površine.

- Provjerite slobodu kretanja i radite u stabilnom položaju.
- Prilikom rada s proizvodom osigurajte se od pada. Tijekom rada s proizvodom nemojte ga naginjati.
- Proizvod obavezno držite s obje ruke. Prednju ručku držite lijevom rukom, a stražnju ručku desnom. Proizvod držite na desnoj strani tijela.
- Ako je regulator čoka u položaju čoka pri pokretanju motora, lanac se počinje okretati.
- Prije prenošenja proizvoda zaustavite motor.
- Proizvod nemojte spuštati uz uključen motor.
- Prije uklanjanja nepoželjnog materijala s proizvoda zaustavite motor. Prije uklanjanja rezanog materijala pričekajte na zaustavljanje lanca pile.
- Proizvod nemojte upotrebljavati na stablu. Upotreba proizvoda na stablu može uzrokovati osobne ozljede.

(Sl. 26)

- Radi smanjenja opasnosti od dodira lanca motorne pile, pri pokretanju mora biti uključena kočnica lanca.

(Sl. 27)

- Izbjegavajte povratni trzaj, klizanje, odskakivanje i ispuštanje koji mogu uzrokovati ozbiljne ozljede.
- Poštujte sva sigurnosna pravila kako biste izbjegli povratni trzaj i sve druge sile koje mogu uzrokovati ozbiljne ozljede.
- Redovito podešavajte lanac motorne pile kako ne bi popustio. Loše zategnuti lanac motorne pile može iskočiti i uzrokovati ozbiljne ozljede ili smrt.
- Nemojte rušiti stabla nepravilnim postupkom. To može dovesti do ozljeda, kontakta s kabelima ili oštećenja imovine.
- Korisnik motorne pile treba se držati uzdignute strane terena jer je vjerojatno kotrljanje ili klizanje srušenog stabla nizbrdo.

(Sl. 28)

- Prije početka piljenja isplanirajte i očistite stazu za uzmak. Staza za uzmak treba se protezati unatrag i dijagonalno od očekivanog pravca rušenja.

(Sl. 29)

- Prije prenošenja proizvoda između stabala uvijek zaustavite motor.
- Zauzmite dobar stav i ravnomjerno raspodijelite težinu.

(Sl. 30)

- Uvijek osigurajte dobro uporište i proizvod upotrebljavajte samo na čvrstim, sigurnim i ravnim podlogama. Klizave ili nestabilne podloge poput ljestvi mogu uzrokovati gubitak ravnoteže ili kontrole.

(Sl. 31)

Povratni trzaji, klizanje, poskakivanje i ispadanje

Na sigurno upravljanje proizvodom mogu utjecati različite sile.

- **Klizanje** znači da se vodilica brzo kreće po površini drva.
- **Poskakivanje** znači da se vodilica podiže s drva pa ga zatim opetovano dotiče.
- **Ispadanje** opisuje pad proizvoda nakon izvođenja reza. Lanac u pokretu tada može dodirnuti dio tijela ili druge predmete te prouzročiti ozljede i oštećenje.
- **Povratni trzaj** znači da se kraj vodilice nakon dodirivanja predmeta iznenada pomiče unatrag, nagore ili prema naprijed. Do povratnog trzaja dolazi i kada se drvo stisne pa priklješti lanac pile tijekom piljenja. Do gubitka kontrole nad proizvodom može doći uslijed kontakta s predmetom u drvu. (Sl. 32)
- **Okretni povratni trzaj** može nastati kada lanac u pokretu dođe u dodir s predmetom na vrhu vodilice. To može dovesti do uklještenja lanca u predmetu i njegova trenutnog zaustavljanja. Ishod je vrlo brza, povratna reakcija koja vodilicu pomiče gore i unatrag u smjeru korisnika. (Sl. 33)
- **Povratni trzaj uklještenjem** može nastati ako se lanac pile iznenada zaustavi tijekom piljenja. Drvo se zatvori i stisne lanac pile u pokretu duž vrha vodilice. Iznenađeno zaustavljanje lanca stvara povratnu silu i uzrokuje kretanje proizvoda u smjeru suprotnom od okretanja lanca. Proizvod se pomiče unatrag u smjeru korisnika. (Sl. 34)
- **Povlačenje** može nastati kada se lanac pile u pokretu iznenada zaustavi ako dodirne predmet u drvu duž donje strane vodilice. Iznenađeno zaustavljanje povlači proizvod naprijed od rukovatelja, zbog čega rukovatelj lako može izgubiti kontrolu nad proizvodom. (Sl. 35)

Prije rukovanja proizvodom morate razumjeti različite opisane sile i znati kako ih spriječiti. Pogledajte *Sprječavanje povratnih trzaja, klizanja, poskakivanja i ispadanja na stranici 201.*

Sprječavanje povratnih trzaja, klizanja, poskakivanja i ispadanja

- Dok je motor u pogonu, obavezno čvrsto držite proizvod. Desnu ruku držite na stražnjoj ručki, a lijevu ruku na prednjoj. Čvrsto držite palcem i prstima oko ručke. Ne popuštajte stisak.
- Zadržite kontrolu nad proizvodom od početka do kraja piljenja i nakon što stablo padne na tlo. Pazite da vas na kraju piljenja proizvod svojom masom iznenada ne povuče prema dolje.
- U području u kojem pilite ne smije biti nikakvih prepreka. Tijekom rada s proizvodom vrhom vodilice

nemojte dodirivati deblo, grane ili druge zapreke. (Sl. 36)

- Režite uz visoki broj obrtaja motora.
- Nemojte dosezati ili rezati iznad visine ramena. (Sl. 37)
- Pridržavajte se uputa koje je proizvođač lanca pile naveo o oštrenju i održavanju.
- Koristite samo zamjenske vodilice i lance koje je odobrio proizvođač.
- Preveliki razmak na mjerачu dubine povećava rizik od povratnog trzaja.

Oprema za osobnu zaštitu

- Prilikom korištenja proizvoda obavezno koristite prikladnu osobnu zaštitnu opremu. Osobna zaštitna oprema smanjuje težinu ozljeda ako dođe do nezgode, ali ne sprječava ozljeđivanje.
- Nemojte nositi labavu odjeću koja se može zaplesti u lanac pile.
- Koristite odobrenu zaštitnu kacigu.
- Tijekom korištenja stroja obavezno koristite odobrenu zaštitu sluha. Dugotrajna izloženost buci može uzrokovati gubitak sluha.
- Koristite zaštitne naočale ili vizir kako biste smanjili opasnost od ozljede od izbačenih predmeta. Proizvod može silovito odbaciti predmete kao što je iverje i komadići drva. To može nanijeti teške tjelesne ozljede, uključujući oči.
- Koristite rukavice sa zaštitom od motorne pile.
- Koristite hlače sa zaštitom od motorne pile.
- Koristite cipele sa zaštitom od motorne pile, s čeličnim štitnikom prstiju i potplatima protiv klizanja.
- U blizini obavezno imajte kutiju prve pomoći.
- Iz prigušivača, vodilice i lanca ili drugog izvora mogu izlaziti iskre. Uvijek držite pri ruci protupožarni aparat i lopatu za sprječavanje šumskih požara.

Zaštitni uređaji na proizvodu

- Nemojte koristiti uređaj s oštećenom zaštitnom opremom. Ako je proizvod oštećen, obratite se odobrenom servisnom centru.

Pregled prekidača za zaustavljanje

1. Pokrenite motor. Pogledajte *Prije pokretanja motora na stranici 204.*
2. Provjerite zaustavlja li se motor kada prekidač za zaustavljanje postavite u položaj za zaustavljanje.

Provjera blokade okidača gasa

1. Regulator gasa (B) mora biti blokiran u praznom hodu prilikom otpuštanja blokade regulatora gasa (A) (Sl. 38).
2. Pritisnite blokadu regulatora gasa (A) i provjerite vraća li se po otpuštanju u početni položaj.
3. Pritisnite regulator gasa (B) i provjerite vraća li se po otpuštanju u početni položaj.

4. Pokrenite motor i potom dajte puni gas.
5. Otpustite regulator gasa i provjerite je li se lanac pile zaustavio.
6. Ako se lanac pile okreće uz gas u položaju praznog hoda, pregledajte vijak za podešavanje praznog hoda na rasplinjaču.

Štitnik

Štitnik sprječava izbacivanje predmeta u smjeru korisnika. Štitnik također sprječava slučajan dodir rukovatelja i lanca pile.

- Provjerite je li štitnik odobren za rad zajedno s proizvodom.
- Proizvod nemojte upotrebljavati bez štitnika.
- Pripazite da štitnik nije oštećen. Zamijenite štitnik ako je istrošen ili ima pukotine.

Sigurnost pri rukovanju s gorivom

- Nemojte pokretati proizvod ako u njemu ima goriva ili motornog ulja. Uklonite neželjeno gorivo/ulje i pričekajte na sušenje proizvoda. Uklonite neželjeno gorivo iz proizvoda.
- Ako gorivo prolijeće po odjeći, odmah ju zamijenite.
- Gorivu nemojte dopustiti kontakt s tijelom jer može uzrokovati ozljede. Ako dođe do kontakta goriva s tijelom, sapunom i vodom isperite gorivo.
- Nemojte pokretati motor ako ste po proizvodu ili tijelu proliili gorivo.
- Nemojte pokretati proizvod ako motor propušta. Redovito pregledavajte ima li na motoru propuštanja.
- Budite pažljivo s gorivom. Gorivo je zapaljivo, a pare su eksplozivne i mogu uzrokovati ozljede i smrt.
- Nemojte udisati pare goriva, one mogu uzrokovati ozljede. Osigurajte dovoljan protok zraka.
- U blizini goriva ili motora nemojte pušiti.
- U blizini goriva ili motora nemojte stavljati vruće predmete.
- Nemojte ulijevati gorivo kada je motor uključen.
- Prije ulijevanja goriva provjerite je li motor hladan.
- Prije ulijevanja goriva polako otvorite čep spremnika goriva i pažljivo ispuštite tlak.
- Gorivo u motor nemojte ulijevati u zatvorenom prostoru. Nedovoljan protok zraka može uzrokovati ozljede ili smrt zbog gušenja ili trovanja ugljičnim monoksidom.
- Pažljivo zategnite čep spremnika goriva kako ne biste uzrokovali požar.
- Prije pokretanja proizvod odmaknite najmanje 3 m (10') od mjesta punjenja spremnika.
- U spremnik za gorivo nemojte uliti previše goriva.
- Provjerite ima li propuštanja pri pomicanju proizvoda ili posude za gorivo.

- Proizvod ili posudu za gorivo nemojte stavljati u blizinu otvorenog plamena, iskri ili lampica. U prostoru za skladištenje ne smije biti otvorenog plamena.
- Za prijenos ili skladištenje goriva koristite isključivo odobrene posude.
- Prije dugotrajnog skladištenja ispraznite spremnik za gorivo. Poštujte lokalne zakone o lokaciji zbrinjavanja goriva.
- Očistite proizvod prije dugotrajnog skladištenja.
- Prije skladištenja stroja uklonite kabel svjećice kako biste spriječili slučajno pokretanje motora.

Sigurnosne upute za održavanje

- Iskopčajte svjećicu prije postupaka održavanja na proizvodu, što se ne odnosi na podešavanje rasplinjača.
- Servisiranje proizvoda uvijek prepustite ovlaštenom distributeru, što se ne odnosi na zadatke u odjeljku *ODRŽAVANJE na stranici 205*.
- Provjerite zaustavlja li se lanac po otpuštanju regulatora gasa.
- Ručke moraju biti suhe, čiste i bez mješavine goriva ili ulja.
- Poklopci i učvršćivači moraju biti pravilno zategnuti.
- Zamjenskim dijelovima koji nisu odobreni i uklanjanjem sigurnosnih uređaja možete oštetiti proizvod. To može dovesti i do ozljeda rukovatelja i promatrača. Koristite isključivo preporučenu dodatnu opremu i zamjenske dijelove. Nemojte provoditi preinake na proizvodu.
- Lanac pile mora biti oštar i čist radi sigurnih i visokih performansi.
- Pridržavajte se uputa za podmazivanje i zamjenu dodatne opreme.
- Pregledajte ima li na proizvodu oštećenih dijelova. Prije daljnje upotrebe proizvoda provjerite pravilno funkcioniranje oštećenog štitnika ili dijela. Pregledajte ima li slomljenih ili nepravilno poravnatih dijelova ili pak dijelova čije je kretanje zapriječeno. Provjerite prisutnost drugih uvjeta koji mogu utjecati na funkcioniranje proizvoda. Provjerite je li proizvod pravilno sastavljen. Ovlašteni distributer mora popraviti ili zamijeniti štitnik ili neki drugi oštećeni dio, osim ako je drugačije opisano u uputama za rukovanje.
- Dok proizvod nije u upotrebi, držite ga u suhom, povišenom ili zaključanom prostoru podalje od djece.
- Prilikom transporta ili skladištenja za premještanje proizvoda koristite poklopac ili kutiju za vodilicu.
- Nemojte koristiti otpadno ulje. Otpadno ulje može biti opasno za vas te oštetiti proizvod ili ugroziti okoliš.

SASTAVLJANJE



UPOZORENJE: Prije sklapanja proizvoda s razumijevanjem pročitajte poglavlje o sigurnosti.

Sastavljanje vodilice i lanca pile

1. Tijekom sastavljanja sa svječiće skinite lulicu svječiće kako biste spriječili slučajno pokretanje. (Sl. 39) (Sl. 40)
 2. Skinite matice vodilice i poklopac spojke. Uklonite prijenosni štitnik (A). (Sl. 41)
 3. Vodilicu stavite iznad vijaka. Vodilicu postavite u krajnji stražnji položaj.
 4. Navucite zaštitne rukavice za motornu pilu.
 5. Lanac pile podignite iznad pogonskog zupčanika pa ga zakvačite u utor na vodilici. Započnite na gornjoj strani vodilice. (Sl. 42)
 6. Rubovi reznih članaka na gornjoj strani vodilice obavezno moraju biti okrenuti prema naprijed.
7. Sklopite poklopac spojke pa klin za podešavanje lanca umetnite u otvor na vodilici.
 8. Pogonske karike lanca pile moraju pravilno pristajati na pogonski zupčanik. Lanac pile usto mora biti pravilno zakvačen u utor na vodilici.
 9. Prstima zategnite matice vodilice.
 10. Kombiniranim ključem zategnite lanac pile okretanjem vijka za zatezanje lanca u smjeru kazaljke na satu. Lanac pile zategnite tako da ne visi s vodilice, no da ga ipak možete lako okretati rukom. (Sl. 43) i (Sl. 44)
 11. Podignite jednu stranu vodilice i kombiniranim ključem zategnite matice vodilice. (Sl. 45)
 - Nakon postavljanja novog lanca pile i sve dok se lanac pile ne uhoda često pregledavajte zategnutost lanca.
 - Redovito provjeravajte zategnutost lanca. Pravilna zategnutost lanca pridonosi dobrim rezultatima rezanja i dugom vijeku upotrebe.

RAD



UPOZORENJE: Prije korištenja proizvoda pročitajte i usvojite poglavlje o sigurnosti.

Korištenje goriva



OPREZ: Proizvod ima dvotaktni motor. Koristite mješavinu benzina i dvotaktnog motornog ulja. U mješavini koristite ispravnu količinu ulja. Nepravilan omjer benzina i ulja može oštetiti motor.

Omjer mješavine goriva

Omjer mješavine goriva za benzin i dvotaktno motorno ulje iznosi 50:1 (2 %)

Benzin	Dvotaktno motorno ulje
1 amer. gal.	77 ml (2,6 oz)
1 UK gal.	95 ml (3,2 oz)
5 l	100 ml (3,4 oz)

Izrada mješavine goriva

1. Utvrdite odgovarajuću količinu benzina i motornog ulja (omjer mješavine 50:1). Nemojte praviti mješavine goriva za razdoblja dulja od 30 dana. Pogledajte *Omjer mješavine goriva na stranici 203*.
2. Pola količine benzina dodajte u čisti spremnik za gorivo s ventilom protiv prolijevanja.



OPREZ: Nemojte koristiti benzin s koncentracijom etanola višom od 10% (E10). Tako možete oštetiti proizvod.



OPREZ: Nemojte koristiti benzin s oktanskim brojem manjim od 90 RON (87 AKI). Tako možete oštetiti proizvod.

Napomena: Ako proizvod koristite redovito i pri visokom broju okretaja, koristite benzin s višim oktanskim brojem.

3. U spremnik za gorivo dodajte cijelu količinu dvotaktnog motornog ulja.



OPREZ: Uvijek koristite zrakom hladeno dvotaktno motorno ulje visoke kvalitete. Druga ulja mogu oštetiti proizvod.

4. Zamiješajte mješavinu kako biste pomiješali sastojke.
5. Preostalo količinu benzina dodajte u spremnik za gorivo.
6. Zamiješajte mješavinu kako biste pomiješali sastojke.
7. Spremnik za gorivo proizvoda napunite mješavinom goriva. Pogledajte *Omjer mješavine goriva na stranici 203*.

Punjenje spremnika za gorivo

1. Mješavina goriva mora biti u odgovarajućem omjeru i smještena u spremnik za gorivo s ventilom protiv proljevanja.
2. Ako se gorivo prolje po spremniku, obrišite ga i pustite da se spremnik osuši.
3. Područje uz čep spremnika goriva mora biti čisto.
4. Uklonite čep spremnika za gorivo. (Sl. 46)
5. Posude za gorivo protresite prije ulijevanja mješavine u spremnik za gorivo.
6. Poklopac spremnika za gorivo vratite na mjesto.

Podmazivanje lanca pile

Proizvod ima automatski sustav podmazivanja. Obavezno koristite samo odgovarajuće ulje za lanac i pridržavajte se uputa.

1. Koristite ulje za lanac na bazi biljnih ulja i standardno ulje za lanac.
2. Prostor oko poklopca spremnika s uljem za lanac pile mora biti čist.
3. Skinite poklopac s spremnika ulja za lanac pile.
4. Spremnik ulja za lanac pile napunite preporučenim uljem za lanac.
5. Vratite poklopac na spremnik s uljem.

Prije pokretanja motora

- Pregledajte nedostaju li na proizvodu dijelovi te ima li oštećenih, nepričvršćenih ili istrošenih dijelova.
- Pregledajte matice i vijke.
- Pregledajte filtar zraka.
- Provjerite ispravnost rada blokade regulatora gasa i regulatora gasa.
- Provjerite ispravnost rada prekidača za zaustavljanje.
- Pregledajte ima li na proizvodu ispuštanja goriva.
- Provjerite oštrinu i zategnutost lanca pile.

Pokretanje hladnog motora

1. Štitnik prednje ruke pomaknite naprijed kako biste aktivirali kočnicu lanca. (Sl. 47)
2. Regulator čoka povucite prema gore.
3. 6 puta pritisnite pumpicu za gorivo. (Sl. 48)
4. Kućište proizvoda lijevom rukom pritisnite uz tlo. Nemojte nagaziti na proizvod. Polako povlačite ručicu užeta za pokretanje dok ne osjetite otpor. Tada snažno povucite ručicu užeta za pokretanje. (Sl. 49)

Napomena: Tijekom pokretanja motora nemojte povlačiti regulator gasa.

5. Nastavite povlačiti ručicu užeta pokretača do pokretanja ili pokušaja pokretanja motora (maks. 3

povlačenja). Kada započne pokretanje motora, pritisnite regulator čoka. (Sl. 50)



OPREZ: Uže pokretača nemojte povlačiti dok se ne zaustavi. Nemojte ispuštati potpuno izvučeno uže pokretača. Uže pokretača ispuštajte polako. Nepoštivanjem ovih uputa možete uzrokovati oštećenje motora.

6. Nastavite povlačiti do pokretanja motora. Nakon pokretanja pričekajte 60 s prije povlačenja regulatora gasa.
7. Štitnik prednje ruke povucite u smjeru prednje ručke kako biste isključili kočnicu lanca.
8. Stražnju ručku držite desnom rukom, a prednju ručku lijevom.
9. Možete koristiti proizvod.

Pokretanje zagrijanog motora

1. Štitnik prednje ruke pomaknite naprijed kako biste aktivirali kočnicu lanca. (Sl. 51)
2. Regulator čoka povucite prema gore.
3. 6 puta pritisnite pumpicu za gorivo. (Sl. 52)
4. Regulator čoka pritisnite prema dolje. (Sl. 53)
5. Kućište proizvoda lijevom rukom pritisnite uz tlo. Nemojte nagaziti na proizvod. Polako povlačite ručicu užeta za pokretanje dok ne osjetite otpor. Tada snažno povucite ručicu užeta za pokretanje. (Sl. 54)



OPREZ: Uže pokretača nemojte povlačiti sve dok se ne zaustavi. Nemojte ispuštati potpuno izvučeno uže pokretača. Uže pokretača ispuštajte polako. Pridržavajte se ovih uputa kako biste spriječili oštećenje motora.

Napomena: Tijekom pokretanja motora nemojte povlačiti regulator gasa.

6. Nastavite povlačiti ručicu užeta pokretača do pokretanja ili pokušaja pokretanja motora (maks. 3 povlačenja). Nakon pokretanja pričekajte 60 s prije povlačenja regulatora gasa.
7. Prednji štitnik za ruku povucite unatrag u smjeru prednje ručke kako biste deaktivirali kočnicu lanca.
8. Stražnju ručku držite desnom rukom, a prednju ručku lijevom.
9. Možete koristiti proizvod.

Pokretanje motora kada je gorivo prevruće

Ako se proizvod ne može pokrenuti, možda je gorivo prevruće.

Napomena: Uvijek koristite novo gorivo i skratite rad u toplom vremenu.

1. Proizvod stavite na hladno mjesto podalje od izravnog Sunčeva svjetla.
2. Pustite da se proizvod hladi najmanje 20 minuta.
3. Pumpicu za gorivo opetovano pritisčite 10 do 15 sekundi.
4. Primijenite postupak za pokretanje hladnog motora. Pogledajte *Pokretanje hladnog motora na stranici 204.*

Za zaustavljanje

- Za zaustavljanje motora pritisnite prekidač za zaustavljanje.

Napomena: Prekidač za zaustavljanje automatski se vraća u početni položaj.

Upotreba šiljastog branika

Šiljasti branik sprječava povratne trzaje i drži drvo tijekom piljenja. Šiljasti branik služi kao osovina između tijela motora i vodilice.

1. Donji kraj šiljastog branika postavite na odgovarajuću širinu pregiba.
2. Lijevom rukom pritisnite prednju ručku dok stražnju ručku podižete desnom rukom.
3. Pilitite dok ne postignete odgovarajuću širinu pregiba.

Napomena: Pregib mora biti jednake debljine.

4. Otpilite više od polovice promjera, a zatim u prepiljeni rez stavite klin za rušenje.

Rušenje stabla

1. Sa stabla uklonite prljavštinu, kamenje, labavu koru, čavle, klamerice i žice.
2. Zasijecite 1/3 promjera stabla, okomito na smjer rušenja. (Sl. 55)
3. Potom izrežite donji vodoravni urez. Tako ćete spriječiti ukleštenje lanca pile ili vodilice prilikom izrezivanja drugog ureza.
4. Izrežite rez za rušenje (X) najmanje 50 mm (2") iznad donjeg vodoravnog ureza. Rez za rušenje

mora biti paralelan s donjim vodoravnim urezom kako bi dovoljno drva ostalo za pregib. Nemojte prerezati pregib. Drvo u pregibu sprječava iskretanje i padanje stabla u neželjenom smjeru. (Sl. 56) i (Sl. 57)

5. Kako se rez za rušenje bliži pregibu, stablo počinje padati. Stablo mora pasti u odgovarajućem smjeru. Ne smije se prevrnuti unatrag i priklješiti pilu. Kako biste to spriječili, prestanite piliti prije no što dovršite rez za rušenje. Drvenim, plastičnim ili aluminijskim klinovima otvorite rez i oborite stablo u željenom pravcu rušenja. (Sl. 58)
6. Kada stablo počne padati, izvadite proizvod iz reza. Zaustavite motor, spustite proizvod na tlo i udaljite se po planiranoj stazi za uzmak. Pazite na grane koje padaju odozgo i na uporište pod nogama. (Sl. 59)

Piljenje grana sa stabla

1. Koristite veće grane kako biste deblo podigli s tla.
2. Grančice uklanjajte jednim rezom. (Sl. 60)
3. Nategnute grane režite od dna prema vrhu kako biste spriječili priklještenje lanca pile ili vodilice.

Rezanje debela



OPREZ: Lancem pile nemojte dodirivati tlo.

- Ako je deblo poduprto duž cijele duljine, režite od vrha debela (trupljenje s gornje strane). (Sl. 61)
- Ako je deblo poduprto s jedne strane, zarezite 1/3 promjera s donje strane debela (trupljenje s donje strane).
- Ako je deblo poduprto na dva kraja, odrežite 1/3 promjera s gornje strane. Dovršite rez trupljenjem s donje strane kroz 2/3 debela kako biste se spojili s prvim rezom. (Sl. 62)
- Ako deblo režete na strmini, uvijek stanite s gornje strane debela. Režite deblo uz održavanje potpune kontrole nad proizvodom. Potom blizu završetka reza popustite pritisak piljenja dok čvrsto držite stražnju i prednju ručku. (Sl. 63)

ODRŽAVANJE



UPOZORENJE: Prije čišćenja, popravljanja ili održavanja proizvoda pročitajte i usvojite sigurnosno poglavlje.

Raspored održavanja

Obavezno pratite raspored održavanja. Intervali su izračunati za dnevno korištenje proizvoda. Intervali se

razlikuju ako proizvod ne koristite svaki dan. Provodite samo zahvate održavanja navedene u ovom priručniku. Za radove održavanja koji nisu navedeni u ovom priručniku obratite se odobrenom servisnom centru.

Dnevno održavanje

- Očistite vanjske površine.

- Provjerite pravilno funkcioniranje blokade okidača i okidača.
- Očistite kočnicu lanca i provjerite njezinu ispravnost.
- Pregledajte nema li oštećenja na hvataču lanca. Ako je oštećen, zamijenite hvatač lanca.
- Vodicu svaki dan preokrenite radi ravnomjernijeg trošenja.
- Provjerite je li otvor za podmazivanje u vodilici prohodan.
- Uklonite piljevinu i drugi nepoželjni materijal od ispod poklopca zupčanika.
- Očistite utor vodilice. (Sl. 64)
- Vodicica i lanac pile moraju biti podmazani dostatnom količinom ulja.
- Pregledajte lanac pile:
 - potražite pukotine na zakovicama i člancima.
 - potražite nejednako istrošene zakovice i članke.
 - provjerite pravilnu zategnutost.
 - strugotine na pogonskim člancima lanca.

Po potrebi zamijenite lanac pile.

- Naoštrite lanac pile. Pogledajte *Oštrenje lanca pile na stranici 207.*
- Pregledajte je li pogonski zupčanik previše istrošen i po potrebi ga zamijenite. (Sl. 65)
- Očistite dovod zraka na kućištu motora.
- Provjerite jesu li matice i vijci zategnuti.
- Provjerite ispravnost prekidača napajanja.

Tjedno održavanje

- Provjerite ispravnost rashladnog sustava.
- Provjerite ispravnost pokretača, užeta za paljenje i povratne opruge.
- Provjerite ispravnost elemenata za ublažavanje vibracija.

(Sl. 66)

- Isturpijajte sve strugotine s rubova vodilice.
- Očistite ili zamijenite mrežicu za hvatanje iskri na prigušivaču.

(Sl. 67)

- Očistite vanjske površine rasplinjača te okolne površine.
- Očistite filter zraka. Ugradite novi filter zraka ako je tako onečišćen da ga nije moguće očistiti. Više informacija potražite u odjeljku *Čišćenje filtra zraka na stranici 207.*

Mjesečno održavanje

- Provjerite pohabnost pojasa kočnice na kočnici lanca. Zamijenite kada je debljina kočione trake manja od 0,6 mm (0,024") na najistrošenijem dijelu.

(Sl. 68)

- Pregledajte je li istrošeno središte spojke, bubanj spojke i opruga spojke.
- Očistite svječiću. Provjerite ispravnost razmaka između elektroda.

(Sl. 69)

- Očistite vanjske površine rasplinjača te okolne površine.
- Pregledajte filter za gorivo i crijevo za dovod goriva. Ako je potrebno, zamijenite ga.
- Ispraznite spremnik goriva.
- Ispraznite spremnik za ulje.
- Pregledajte sve kabele i priključke.

Godišnje održavanje

- Pregledajte svječiću.
- Očistite vanjske površine rasplinjača te okolne površine.
- Očistite rashladni sustav.
- Pregledajte mrežicu za hvatanje iskri.
- Pregledajte filter goriva.
- Pregledajte ispravnost crijeva za gorivo.
- Pregledajte sve kabele i priključke.

Povremeno održavanje

- Neka vam ovlaštenu servisnu centar popravi ili zamijeni prigušivač nakon 50 sati rada.
- Održavanje svječice potrebno je:
 - ako je snaga motora niska
 - ako je teško pokrenuti motor
 - ako motor ne radi ispravno u praznom hodu
- Prilikom svakog nadopunjavanja provjerite podmazivanje lanca pile. Pogledajte *Provjera podmazivanja lanca pile na stranici 208.*

Podešavanje broja okretaja u praznom hodu

Prije podešavanja broja okretaja u praznom hodu provjerite je li filter zraka čist i je li postavljen poklopac filtra.

1. Vijak za podešavanje praznog hoda označen slovom "T" okrećite u smjeru kazaljke na satu sve dok se lanac pile ne počne vrtjeti.
2. Vijak za podešavanje praznog hoda označen slovom "T" okrećite suprotno od kazaljke na satu sve dok se lanac pile ne zaustavi.
3. Broj okretaja motora u praznom hodu mora biti manji od broja okretaja pri kojem se lanac pile počinje okretati. Broj okretaja motora u praznom hodu ispravan je kada motor radi ugladeno u svim položajima.

Održavanje mrežice za hvatanje iskri

- Mrežicu za hvatanje iskri očistite žičanom četkicom. (Sl. 70)

Održavanje svječiće



OPREZ: Koristite preporučene svječiće. Zamjena mora biti jednaka dijelu koji je isporučio proizvođač. Neprikladna svjećica može oštetiti proizvod.

1. Ako se proizvod teško pokreće ili održava u radu, provjerite nema li na svjećici nepoželjnih materijala. Za smanjenje opasnosti od nepoželjnog materijala na elektrodama svjećice:
 - a) provjerite ispravnu podešenost broja okretaja u praznom hodu.
 - b) provjerite ispravnost mješavine goriva.
 - c) provjerite je li filter zraka čist.
2. Očistite zaprljanu svjećicu. Provjerite ispravnost razmaka između elektroda. (Sl. 71)
3. Svjećicu zamijenite po potrebi.

Čišćenje filtra zraka

1. Skinite poklopac filtra zraka i izvadite filter zraka. (Sl. 72)
2. Očistite filter zraka vrućom sapunicom. Filter zraka mora biti suh prije ugradnje.
3. Ako je filter zraka previše onečišćen i ne možete ga u potpunosti očistiti, zamijenite ga. Oštećeni filter zraka obavezno zamijenite.

Oštrenje lanca pile

Rezač

Rezni dio lanca pile naziva se rezač i sastoji se od reznog zupca (A) i mjeraca dubine (B). Dubinu rezanja rezača određuje razlika visine između njih dvoje, postavka dubine rezanja (C).

(Sl. 73)

Prilikom oštrenja reznog zupca na umu morate imati četiri važna čimbenika:

- Kut oštrenja.

(Sl. 74)

- Kut rezanja.

(Sl. 75)

- Položaj turpije.

(Sl. 76)

- Promjer okrugle turpije.

(Sl. 77)

Oštrenje reznih zubaca

Rezne zupce oštrite pomoću okrugle turpije i mjeraca razmaka. Informacije o preporučenim dimenzijama turpije i mjeraca za lanac pile ugrađen na proizvod potražite u odjeljku *Turpisanje i kombinacije lanca pile na stranici 210.*

(Sl. 78)

1. Provjerite je li lanac pile pravilno zategnut. Lanac koji nije pravilno zategnut pomiče se na jednu stranu i ne oštiri se pravilno.
2. Upotrijebite turpiju na svim zupcima s jedne strane. Potom upotrijebite turpiju na unutarnjoj strani reznih zubaca i smanjite pritisak na povratnom potezu.
3. Okrenite proizvod na suprotnu stranu i turpijom obradite zupce.
4. Upotrijebite turpiju kako biste postigli istu duljinu svih zubaca. Zamijenite istrošeni lanac pile kada se duljina reznih zubaca smanji na manje od 4 mm (5/32").

Podešavanje postavke mjeraca dubine

Rezne zupce naoštrite prije podešavanja postavke mjeraca dubine. Pogledajte *Oštrenje reznih zubaca na stranici 207.* Nakon oštrenja reznog zupca (A) postavka mjeraca dubine (C) smanjuje se. Za održavanje optimalnih rezultata rezanja mjerac dubine (B) potrebno je isturpijati kako bi se postigla preporučena postavka mjeraca dubine. Pogledajte *Turpisanje i kombinacije lanca pile na stranici 210* kako biste pronašli ispravnu postavku mjeraca dubine za vaš lanac.

(Sl. 79)

(Sl. 80)

Napomena: Ova preporuka pretpostavlja da duljina reznih zubaca nije pretjerano smanjena.

Plosnatom turpijom i alatom za mjerenje dubine podesite mjerac dubine.

1. Alat za mjerenje dubine postavite iznad lanca pile. Detaljne informacije o načinu primjene alata za mjerenje dubine možete pronaći na pakiranju alata za mjerenje dubine.
2. Koristite plosnatu turpiju za uklanjanje viška isturenog dijela reznog ruba. Razmak reznog alata je ispravan kada više ne postoji otpor prilikom povlačenja turpije preko mjeraca.

Zatezanje lanca pile

Napomena: Tijekom razdoblja uhodavanja redovito provjeravajte zategnutost lanca pile.

1. Otpustite matice vodilice kojima je pričvršćen poklopac zupčanika. Koristite kombinirani ključ. (Sl. 81)
2. Rukom zategnite matice vodilice što je jače moguće.
3. Podignite vrh vodilice pa produžite lanac pile zatezanjem vijka za zatezanje lanca. Koristite kombinirani ključ. Lanac pile zatežite dok ne prestane visiti s donje strane vodilice. (Sl. 82)
4. Zatežite matice vodilice kombiniranim ključem i istovremeno podižite vrh vodilice. (Sl. 83)
5. Uvjerite se kako lanac pile možete slobodno vrtjeti rukom i kako nije ovješten. (Sl. 84)

Podmazivanje rezne opreme

Provjera podmazivanja lanca pile

Prilikom svakog nadopunjavanja provjerite podmazivanje motorne pile.

1. Pokrenite proizvod i pustite da radi pri 3/4 brzine. Vrh vodilice usmjerite prema svijetloj podlozi udaljenoj približno 20 cm (8 inča).
2. Nakon jedne minute rada na svijetloj površini pojavit će se crta od ulja.
3. Ako se nakon jedne minute ne pojavi crta od ulja, očistite kanal za ulje u vodilici. Očistite utor na rubu

vodilice. Provjerite okreće li se vršni lančanik vodilice bez zastoja i nema li začepjenja u otvoru za podmazivanje. Očistite i podmažite zupčanik na vrhu.

4. Pokrenite proizvod i pustite da radi pri 3/4 brzine. Vrh vodilice usmjerite prema svijetloj podlozi udaljenoj približno 20 cm (8 inča).
5. Nakon jedne minute rada na svijetloj površini pojavit će se crta od ulja.
6. Ako se nakon jedne minute ne pojavi crta od ulja, obratite se ovlaštenom distributeru.

PRIJEVOZ

- Prije prijevoza ispraznite spremnike goriva i ulja za lanac. Iskorištene tekućine zbrinite na propisan način.
- Tijekom prijevoza na rezni nastavak stavite poklopac vodilice. Time ćete spriječiti nehotično dodirivanje oštrog lanca pile. Ako vi ili netko drugi dodirnete oštri lanac pile koji nije u pogonu, možete se ozlijediti.
- Prije prijevoza skinite kapicu sa svjećice i aktivirajte kočnicu lanca.
- Fiksirajte proizvod kako se tijekom transporta ne bi mogao pomicati.

POHRANA

- Dok ne koristite proizvod, uvijek ga spremite na sigurno. Tekućina ili isparavanja iz proizvoda mogu doći u dodir s iskrama, otvorenim plamenom iz električne opreme, električnih kosilica, releja/ prekidača, grijača i drugih uređaja.
- Gorivo uvijek čuvajte u odobrenim spremnicima.
- Kada proizvod uskladištite na dulje vrijeme, ispraznite spremnike goriva i ulja za lanac. Iskorištene tekućine zbrinite na propisan način.
- Dok je proizvod uskladišten, na vodilicu stavite poklopac. Time ćete spriječiti nehotično dodirivanje oštrog lanca pile. Dodirivanje oštrog lanca pile koji nije u pogonu može prouzročiti teške ozljede.
- Prije skladištenja skinite kapicu sa svjećice i aktivirajte kočnicu lanca.

TEHNIČKI PODACI

	jedinica	130 (H13038HV)	135 Mark II (H13038HV)
Specifikacije motora			
Zapremnina cilindra	cm ³	38	38
Svjećica	—	NGK BPMR 7A	NGK BPMR 7A
Razmak elektroda	mm (in)	0,5 (0,02)	0,5 (0,02)
Obujam spremnika za gorivo	cm ³	350	350
Brzina okretaja pri praznom hodu	min ⁻¹	2800 – 3200	2.800 – 3.200
Izlazna snaga pri 9000 min ⁻¹	kW	1,5	1,6
Razdoblje trajnosti emisije	h	125	125
Podaci o buci i vibracijama			

	jedinica	130 (H13038HV)	135 Mark II (H13038HV)
Ekvivalentne razine vibracije (ahv, eq) na lijevoj ručki ⁶⁶	m/s ²	3,72	3,72
Ekvivalentne razine vibracije (ahv, eq) na desnoj ručki ⁶⁷	m/s ²	5,5	5,5
Zajamčena razina jakosti zvuka (L _{WA}) ⁶⁸	dB (A)	116	116
Razina snage zvuka, izmjerena ⁶⁹	dB (A)	114	114
Razina zvučnog tlaka u uhu rukovatelja ⁷⁰	dB (A)	102	102
Dimenzije proizvoda			
Težina (bez rezne opreme)	kg	4,68 (10,3)	4,68 (10,3)
Obujam spremnika za ulje	cm ³	260	260
Sustav za gorivo i podmazivanje			
Kapacitet pumpe za ulje pri 9000 min ⁻¹	ml/min	9	9
Vrsta pumpe za ulje	—	Automatska	Automatska
Lanac pile i vodilica			
Standardna duljina vodilice	cm (in)	35 – 40 (14 – 16)	35 – 40 (14 – 16)
Preporučena duljina vodilice	cm (in)	35 – 40 (14 – 16)	35 – 40 (14 – 16)
Iskoristiva duljina rezanja	cm (in)	33 – 38 (13 – 15)	33 – 38 (13 – 15)
Maksimalna brzina lanca pile	m/s	22,3	22,3
Korak lanca pile	mm (in)	9,52 (3/8)	9,52 (3/8)
Debljina pogonskih članaka (razmak)	mm (in)	1,3 (0,050)	1,3 (0,050)
Vrsta pogonskog zupčanika	—	Cilindrični	Cilindrični
Broj zubaca pogonskog zupčanika	—	6	6

⁶⁶ Ekvivalentna razina vibracije izračunava se kao vremenski ponderirana ukupna energija za razine vibracije u različitim radnim uvjetima. Podaci o ekvivalentnoj razini vibracije pokazuju tipičnu statističko raspršenje (standardno odstupanje) od 1,5 m/s².

⁶⁷ Ekvivalentna razina vibracije izračunava se kao vremenski ponderirana ukupna energija za razine vibracije u različitim radnim uvjetima. Podaci o ekvivalentnoj razini vibracije pokazuju tipičnu statističko raspršenje (standardno odstupanje) od 1,5 m/s².

⁶⁸ Emisije buke u okolišu izmjerene kao snaga zvuka (L_{WA}).

⁶⁹ Emisije buke u okolišu izmjerene kao snaga zvuka (L_{WA}).

⁷⁰ Ekvivalentna razina tlaka zvuka izračunava se kao vremenski ponderirana ukupna energija za različite razine zvučnog tlaka u različitim radnim uvjetima. Uobičajeno statističko raspršenje za ekvivalentnu razinu pritiska zvuka standardno je odstupanje od 2,5 dB (A).

DODACI

Kombinacije vodilice i motorne pile

Vodilica				Lanac pile	
Duljina	Nagib	Mjerač	Maks. polumjer vrha vodilice	Vrsta	Broj pogonskih zupčanika
14 inča	3/8 inča	0,050 inča	7T	Husqvarna H37	52
16 inča				Husqvarna S93G	56

Turpijanje i kombinacije lanca pile

Vrsta lanca	Veličina okrugle tur-pije	Kut bočne ploče	Kut vršne ploče	Kut vodilice za tur-pijanje	Postavka mjerača dubine	Br. dijela mjerača dubine	Br. dijela mjerača brušenja
H37, S93G	5/32 inča 4,0 mm	80°	30°	0°	0,025 / 0,65	5056981-03	5052437-01

SADRŽAJ EUROPSKE DEKLARACIJE O USKLAĐENOSTI

Tvrtka Husqvarna AB, SE 561 82 Huskvarna, ŠVEDSKA izjavljuje pod izričitom odgovornošću kako je predstavljeno proizvod:

Opis	Benzinska motorna pila
Marka	Husqvarna
Platforma / Vrsta / Model	Platforma H13038HV, predstavlja model 130, 135 Mark II
Grupa	Serijski brojevi iz 2018. i noviji

u potpunosti sukladan sljedećim EU direktivama i propisima:

Direktiva/propis	Opis
2006/42/EZ	„o strojevima“
2014/30/EU	„o elektromagnetskoj kompatibilnosti“
2000/14/EZ	„o vanjskoj buci“

Direktiva/propis	Opis
2011/65/EU	„o ograničenju uporabe određenih opasnih tvari“

Primijenjene su sljedeće usklađene norme i/ili tehničke specifikacije: EN ISO 12100, EN ISO 11681-1, CISPR 12, ISO 14982

U skladu s dodatkom V direktive 2000/14/EC, objavljene vrijednosti zvuka navedene su u odjeljku s tehničkim podacima u ovom priručniku i u potpisanoj EU izjavi o sukladnosti.

TÜV Rheinland LGA Products GmbH, prijavljeno tijelo za strojeve (pod brojem 0197), Tillystraße 2 - 90431 Nürnberg, Njemačka, provelo je EZ ispitivanje tipa u skladu s normom 2006/42/EZ, članak 12, točka 3b.

Certifikat ispitivanja tipa, u skladu s aneksom IX, naveden u potpisanoj deklaraciji o usklađenosti, primjenjiv je na sve proizvodne lokacije i zemlje podrijetla navedene na proizvodu.

Ova motorna pila usklađena je s primjerkom uređaja na kojemu je provedeno EZ ispitivanje tipa.

VSEBINA

UVOD.....	211	PREVOZ.....	221
VARNOST.....	212	SKLADIŠČENJE.....	221
SESTAVLJANJE.....	216	TEHNIČNI PODATKI.....	221
UPORABA.....	216	DODATNA OPREMA.....	223
VZDRŽEVANJE.....	218	VSEBINA IZJAVE ES O SKLADNOSTI.....	223

UVOD

Navodila za uporabo

Originalni jezik teh navodil za uporabo je angleščina. Navodila za uporabo v drugih jezikih so prevodi iz angleščine.

Pregled

(Sl. 1)

1. Pokrov valja		Uporabljajte odobreno zaščitno čelado ter zaščito za sluh in oči
2. Membrana črpalke za gorivo	(Sl. 4)	
3. Ploščica s proizvodno in serijsko številko	(Sl. 5)	Uporabljajte odobrene zaščitne rokavice
4. Nalepka z informacijami in opozorili		Izdelek je skladen z veljavnimi direktivami ES
5. Izklopno stikalo	(Sl. 6)	
6. Zadnji ročaj	(Sl. 7)	Nivo zvočne moči
7. Posoda za gorivo		Zavora verige, ni aktivirana (levo). Zavora verige, aktivirana (desno)
8. Ročica zaganjalne vrvice	(Sl. 8)	
9. Ohišje zaganjalnika	(Sl. 9)	Ročica čoka
10. Oznaka smeri podiranja	(Sl. 10)	Membrana črpalke za gorivo
11. Posoda olja za verigo	(Sl. 11)	Odprtina za dolivanje goriva
12. Sprednji ročaj	(Sl. 12)	Dolivanje olja za verigo
13. Zavora verige in sprednji ščitnik za roko	(Sl. 13)	Izdelek je skladen z veljavnimi direktivami EAC
14. Dušilnik		Izdelek je skladen z veljavnimi direktivami Ukrajine
15. Veriga motorne žage	(Sl. 14)	
16. Zobnik konice meča		Izdelek je skladen z veljavnimi direktivami Koreje
17. Meč	(Sl. 15)	
18. Vijak za napenjanje verige (130)		Izdelek je skladen z veljavnimi direktivami Japonske
19. Vijak za napenjanje verige (135, generacija II)	(Sl. 16)	
20. Zobata opora	(Sl. 17)	Raven hrupa
21. Lovilnik verige	(Sl. 18)	Izdelek držite trdno z obema rokama
22. Pokrov sklopke	(Sl. 19)	Izdelka ne uporabljajte samo z eno roko
23. Ščitnik desne roke	(Sl. 20)	Izogibajte se stiku s konico meča
24. Ročica plina	(Sl. 21)	Pazite na možnost povratnega sunka
25. Zaklep ročice plina		
26. Zaščita meča		
27. Kombiniran ključ		
28. Navodila za uporabo		

Simboli na izdelku

(Sl. 2) Opozorilo

(Sl. 3) Preberite ta navodila

(Sl. 22) Izdelek je v skladu z veljavnimi direktivami Avstralije in Nove Zelandije o elektromagnetni združljivosti.

Opomba: Ostali simboli in oznake na izdelku se nanašajo na zahteve za certifikacijo, ki veljajo za druga komercialna območja.

Predlog št. 65

(Sl. 23)

EU V



OPOZORILO: Zaradi predelave motorja se razveljavi EU-homologacija tega izdelka.

Odgovornost proizvajalca

Kot je navedeno v zakonodaji, ki ureja odgovornost proizvajalca, ne prevzemamo nikakršne odgovornosti za

poškodbe, ki bi jih naši izdelki povzročili v naslednjih primerih:

- Izdelek ni pravilno popravljen.
- Izdelek je popravljen z deli, ki jih ni izdelal ali odobril proizvajalec.
- Na izdelku je nameščena dodatna oprema, ki je ni izdelal ali odobril proizvajalec.
- Izdelek ni bil popravljen v pooblaščenem servisnem centru ali pri pooblaščenem organu.

VARNOST

Varnostne definicije

Spodnje definicije označujejo stopnjo resnosti posameznih opozorilnih besed.



OPOZORILO: Poškodbe oseb.



POZOR: Poškodbe izdelka.

Opomba: Te informacije olajšajo uporabo izdelka.

Splošna varnostna navodila

- Izdelek uporabljajte pravilno. Če izdelka ne uporabljate pravilno, lahko pride do poškodb ali smrti. Izdelek uporabljajte samo za opravila, ki so navedena v tem priročniku. Izdelka ne uporabljajte za druga opravila.
- Preberite, razumite in upoštevajte navodila v tem priročniku. Upoštevajte varnostne simbole in navodila. Če uporabnik ne upošteva navodil in simbolov, lahko pride do poškodb ali smrti.
- Priročnika ne zavrzite. Navodila uporabljajte za montažo, uporabo in vzdrževanje izdelka. Navodila uporabljajte za pravilno namestitev priključkov in dodatne opreme. Uporabljajte samo odobrene priključke in dodatno opremo.
- Ne uporabljajte poškodovanega izdelka. Sledite urniku vzdrževanja. Izvajajte samo postopke vzdrževanja, za katere ta priročnik vsebuje navodila. Vse druge postopke vzdrževanja mora izvesti pooblaščen servisni center.

- Ta priročnik ne more vsebovati vseh okoliščin, do katerih lahko pride pri uporabi izdelka. Bodite previdni in razumnje. Če niste prepričani glede določenih okoliščin, izdelka ne uporabljajte oziroma na izdelku ne izvajajte postopkov vzdrževanja. Za informacije se obrnite na strokovnjaka za izdelek, prodajalca, pooblaščen servisno delavnico ali servisni center.
- Pred sestavljanjem, skladiščenjem in vzdrževanjem izdelka odklopite kabel vžigalne svečke.
- Izdelka ne uporabljajte, če so se spremenile njegove originalne specifikacije. Ne spreminjajte delov izdelka brez vnaprejšnje odobritve proizvajalca izdelka. Uporabljajte samo dele, ki jih je odobril proizvajalec. Zaradi neustreznega vzdrževanja lahko pride do poškodb ali smrti.
- Ne vdihavajte plinov iz motorja. Dolgotrajno vdihavanje izpušnih plinov motorja, hlapov verižnega olja in žagovine lahko ogrozi vaše zdravje.
- Izdelka nikoli ne zaganjajte v zaprtih prostorih ali v bližini vnetljivih materialov. Izpušni plini so vroči in lahko vsebujejo iskre, ki lahko povzročijo požar. Če ni zadostnega pretoka zraka, lahko pride do poškodb ali celo smrti zaradi zadušitve ali zastrupitve z ogljikovim monoksidom.
- Izdelek med delovanjem ustvarja elektromagnetno polje. Elektromagnetno polje lahko poškoduje medicinske vsadke. Pred uporabo izdelka se posvetujte z zdravnikom in proizvajalcem medicinskih vsadkov.
- Izdelka ne smejo uporabljati otroci.
- Izdelka ne smejo uporabljati osebe, ki ne poznajo navodil za uporabo.
- Če izdelek uporabljajo osebe z zmanjšanimi fizičnimi ali intelektualnimi sposobnostmi, jih nenehno nadzorujte. Vedno mora biti prisotna odgovorna odrasla oseba.

- Izdelek zaklenite na mesto, kamor otroci in nepooblaščen osebe nimajo dostopa.
- Izdelek lahko povzroči izmet predmetov, zaradi česar lahko pride do poškodb. Upoštevajte varnostna navodila, da zmanjšate nevarnost poškodb ali smrti.
- Ko je motor vklopljen, se ne oddaljajte od izdelka. Izklopite motor in se prepričajte, da se veriga ne vrti.
- Za morebitne nesreče je odgovoren uporabnik izdelka.
- Pred uporabo izdelka se prepričajte, da deli izdelka niso poškodovani.
- Ravnejte v skladu z nacionalno ali lokalno zakonodajo. Ta lahko v določenih primerih prepreči ali omeji uporabo izdelka.

Varnostna navodila za uporabo

- Neprekinjena ali redna uporaba izdelka lahko povzroči "bele prste" ali enakovredne zdravstvene težave zaradi vibracij. Pred neprekinjeno ali redno uporabo izdelka pregledajte stanje svojih rok in prstov. Če roke ali prsti izgubijo barvo, v njih čutite bolečino ali mravljinice ali so otopeli, prenehajte z delom in se nemudoma posvetujte z zdravnikom.
 - Izdelek mora biti pred uporabo popolnoma sestavljen.
 - Izdelek lahko povzroči izmet predmetov, ki lahko poškodujejo oči. Pri uporabi izdelka vedno uporabljajte odobreno zaščito oči.
 - Bodite previdni, saj se lahko izdelku med uporabo brez vaše vednosti približa otrok.
 - Izdelka ne uporabljajte, če so na delovnem območju druge osebe. Če na delovno območje vstopi druga oseba, izdelek izklopite.
- (Sl. 24)
- Izdelek imejte vedno pod nadzorom.
 - Izdelek je treba upravljati z obema rokama. Ne upravljajte ga samo z eno roko. Pri upravljanju z eno roko lahko pride do hudih poškodb upravljalca, delavcev, drugih navzočih oseb ali kombinacije teh oseb.
 - Z levo roko držite sprednji ročaj, z desno pa zadnji ročaj. Izdelek držite ob svojem desnem boku.
- (Sl. 25)
- Ko ste utrujeni, bolni ali pod vplivom alkohola, mamil ali zdravil, izdelka ne uporabljajte.
 - Izdelka ne uporabljajte, če v primeru nesreče ne morete pravočasno prejeti pomoči. Pred uporabo izdelka druge osebe vedno obvestite, da izdelek nameravate uporabljati.
 - Preden izdelek vklopite, se prepričajte, da so druge osebe ali živali ustrezno oddaljene.
 - Preden začnete uporabljati izdelek, iz delovnega območja odstranite vse odvečne predmete. Če veriga zadene v predmet, lahko to povzroči izmet predmeta in posledično poškodbe ali materialno škodo. Odvečni predmeti se lahko navijejo okrog verige in povzročijo poškodbe.
- Izdelka ne uporabljajte v slabih vremenskih razmerah, kot so megla, dež, močan veter, nevarnost strele ipd. Slabo vreme lahko ustvari nevarne delovne pogoje, npr. spolzke površine.
 - Zagotovite, da se lahko prosto premikate in delo opravljate v stabilnem položaju.
 - Zagotovite, da pri uporabi izdelka ne morete pasti. Izdelka med uporabo ne nagibajte.
 - Izdelek vedno držite z obema rokama. Z levo roko držite sprednji ročaj, z desno pa zadnji ročaj. Izdelek držite ob svojem desnem boku.
 - Če je ročica dušilnega ventila ob zagonu motorja v položaju dušenja, se začne veriga vrteti.
 - Preden izdelek premikate, izklopite motor.
 - Ko je motor vklopljen, izdelka ne odlagajte.
 - Preden odstranite odvečni material z izdelka, izklopite motor. Počakajte, da se veriga ustavi, preden vi ali oseba, ki vam pomaga, začneta odstranjevati razrezan material.
 - Izdelka ne uporabljajte na drevesu. Pri upravljanju izdelka na drevesu lahko pride do telesnih poškodb.
- (Sl. 26)
- Ko izdelek zaženete, mora biti zavora verige vklopljena, s čimer zmanjšate nevarnost, da med zagonom pridete v stik z verigo.
- (Sl. 27)
- Preprečite povratni sunek, drsenje, odbijanje in padec motorne žage, saj lahko povzročijo hude poškodbe.
 - Upoštevajte vse varnostne predpise, da preprečite povratni sunek in druge udarce, saj lahko povzročijo hude poškodbe.
 - Redno prilagajajte napetost verige žage in s tem zagotovite, da ni povešena. Povešena veriga lahko zaradi podajanja izskoči iz meča in povzroči hude poškodbe ali smrt.
 - Drevesa vedno podirajte po pravilnem postopku. V nasprotnem primeru lahko poškodujete osebe, zadenete v napeljavo ali povzročite materialno škodo.
 - Upravljalca mora na pobočju stati višje od drevesa, saj se drevo po podrtju običajno zakotali ali drsne po strmini navzdol.
- (Sl. 28)
- Pred začetkom rezanja načrtujte in očistite pot umika. Pot umika mora potekati stran od drevesa in diagonalno nazaj glede na pričakovano linijo padca drevesa.
- (Sl. 29)
- Preden izdelek premaknete od enega drevesa k drugemu, vedno izklopite motor.
 - Prepričajte se, da trdno postavite noge na tla in enakomerno porazdelite težo.
- (Sl. 30)
- Vedno imejte stabilen položaj in izdelek uporabljajte samo, kadar stojite na trdni, varni in ravni površini.

Na zdrsiljivih in nestabilnih površinah, kot so lestve, lahko izgubite ravnotežje ali nadzor.

(Sl. 31)

Povratni sunek, drsenje, odbijanje in padec

Na varno upravljanje izdelka lahko vplivajo različne sile.

- **Drsenje** je hitro premikanje meča po površini lesa.
- **Odbijanje** je izmenično dviganje meča od lesa in dotikanje lesa.
- **Padec** je hiter spust izdelka, potem ko se meč prebije skozi zarez. To lahko povzroči, da se vrteča se veriga dotakne dela telesa ali drugih predmetov, pri čemer lahko pride do poškodbe ali materialne škode.
- **Povratni sunek** je nenaden premik meča nazaj, navzgor ali naprej, ko se konec meča dotakne predmeta. Do povratnega sunka pride tudi, če se pri rezanju zarez v lesu zapre in priščipne verigo žage. Če se izdelek dotakne predmeta v lesu, lahko pride do izgube nadzora nad izdelkom. (Sl. 32)

- Do **povratnega sunka zaradi vrtenja verige** lahko pride, ko se vrteča se veriga dotakne predmeta z zgornjo stranjo meča. To lahko povzroči, da se veriga pogrezne v predmet in se nenadoma ustavi. Zaradi tega pride do zelo hitrega povratnega sunka meča, ki se premakne navzgor in nazaj v smeri proti upravljavcu. (Sl. 33)
- **Dopovratnega sunka zaradi priščipnenja** lahko pride, ko se veriga žage med rezanjem nenadoma ustavi. Zareza v lesu se zapre in priščipne vrtečo se verigo na zgornji strani meča. Nenadna ustavitev verige obrne silo premikanja verige in povzroči, da se izdelek premakne v nasprotni smeri vrtenja verige. Izdelek se premakne navzgor v smeri proti upravljavcu. (Sl. 34)
- Do **povleka** lahko pride, ko se veriga nenadoma ustavi, ko se vrteča se veriga s spodnjo stranjo meča dotakne predmeta v lesu. Nenadna ustavitev povleče izdelek naprej in stran od upravljavca, zaradi česar lahko upravljavec hitro izgubi nadzor nad izdelkom. (Sl. 35)

Preden začnete upravljati izdelek, poskrbite, da razumete, kako delujejo različne sile in kako ravnati, da do njih ne bi prišlo. Glejte *Ukrepi za preprečevanje povratnih sunkov, drsenja, odbijanja in padcev na strani 214*.

Ukrepi za preprečevanje povratnih sunkov, drsenja, odbijanja in padcev

- Ko motor teče, poskrbite, da trdno držite izdelek. Z desno roko držite zadnji ročaj, z levo pa sprednjega. Poskrbite za dober oprijem palcev in ostalih prstov na ročajih. Ne izpuscite ročajev.

- Ohranajte nadzor nad izdelkom med rezanjem in tudi potem, ko les že pade na tla. Ne dovolite, da bi se po opravljeni zarezi izdelek zaradi sile lastne teže spustil proti tlom.
- Prepričajte se, da je območje, v katerem žagate, brez ovir. Ne dovolite, da bi se konica meča pri upravljanju izdelka dotaknila hloda, veje ali drugih ovir. (Sl. 36)
- Žagajte z visoko hitrostjo motorja.
- Z izdelkom ne segajte predaleč in ne žagajte nad višino ramen. (Sl. 37)
- Upoštevajte navodila za brušenje in vzdrževanje verige, ki jih je priložil proizvajalec.
- Uporabljajte samo nadomestne meče in verige, ki jih je določil proizvajalec.
- Nevarnost povratnega sunka se poveča, če je nastavljena prevelika globina.

Osebnostna zaščitna oprema

- Pri uporabi izdelka vedno uporabljajte ustrezno osebno zaščitno opremo. Osebnostna zaščitna oprema zmanjša stopnjo resnosti poškodb v primeru nesreče, vendar jih ne izključuje.
- Ne uporabljajte ohlapnih oblačil, ki se lahko ujamejo v verigo.
- Uporabljajte odobreno zaščitno čelado.
- Pri uporabi izdelka vedno uporabljajte odobreno zaščito za sluh. Dolgotrajen hrup lahko povzroči izgubo sluha.
- Uporabljajte zaščitna očala ali vizir za obraz, da zmanjšate tveganje za poškodbe zaradi letečih predmetov. Izdelek lahko predmete, kot so odrezki lesa ali manjši leseni delci, premakne z zelo močno silo. Zaradi tega lahko pride do hudih poškodb, tudi poškodb oči.
- Uporabljajte rokavice z zaščito za motorne žage.
- Uporabljajte hlače z zaščito za motorne žage.
- Uporabljajte škornje z zaščito za motorne žage, ojačano konico in nedrsečim podplatom.
- Zagotovite, da je v bližini komplet prve pomoči.
- Na dušilniku, meču in verigi ali drugih virih lahko nastajajo iskre. Vedno imejte v bližini opremo za gašenje požara in lopato, da lahko preprečite gozdni požar.

Varnostne naprave na izdelku

- Izdelka ne uporabljajte s poškodovano zaščitno opremo. Če je izdelek poškodovan, se obrnite na pooblaščen servisni center.

Preverjanje delovanja izklopnega stikala

1. Zaženite motor. Glejte *Pred zagonom motorja na strani 217*.
2. Motor se mora izklopiti, ko izklopno stikalo premaknete v položaj za izklop.

Preverjanje delovanja zaklepa za ročico plina

1. Ko sprostite zaklep ročice plina (A), mora biti ročica plina (B) zaklenjena v položaj prostega teka (Sl. 38).
2. Pritisnite zaklep ročice plina (A) in se prepričajte, da se vrne v začetni položaj, ko ga sprostite.
3. Pritisnite ročico plina (B) in se prepričajte, da se vrne v začetni položaj, ko jo sprostite.
4. Zaženetni motor in uporabite polni plin.
5. Sprostite ročico za plin in preverite, ali se veriga ustavi.
6. Če se veriga motorne žage vrti, ko je ročica plina v položaju prostega teka, preglejte vijak za prilagoditev prostega teka uplinjača.

Ščitnik

Ščitnik preprečuje izmet predmetov v smeri upravljavca. Ščitnik pa preprečuje tudi nenameren stik upravljavca z verigo.

- Prepričajte se, da je ščitnik dovoljeno uporabljati skupaj z izdelkom.
- Izdelka ne uporabljajte brez ščitnika.
- Prepričajte se, da ščitnik ni poškodovan. Če je ščitnik obrabljen ali razpokan, ga zamenjajte.

Varnost pri delu z gorivom

- Če so na izdelku ostanke goriva ali motornega olja, izdelka ne zaganjajte. Očistite ostanke goriva/olja in počakajte, da se izdelek posuši. Očistite ostanke goriva z izdelka.
- Če se z gorivom polijete po obleki, se nemudoma preoblecite.
- Pazite, da goriva ne polijete po telesu, saj lahko pride do poškodb. Če gorivo polijete po telesu, se očistite z milom in vodo.
- Če se je olje ali gorivo polilo po izdelku ali po vašem telesu, ne zaganjajte motorja.
- Če motor pušča, izdelka ne zaganjajte. Redno preverjajte, ali motor pušča.
- Z gorivom ravnajte previdno. Gorivo je vnetljivo, hlapi pa so eksplozivni, zato lahko pride do poškodb ali smrti.
- Ne vdihavajte hlapov goriva, saj lahko pride do poškodb. Zagotovite zadosten pretok zraka.
- V bližini goriva ali motorja ne kadite.
- Vročih predmetov ne postavljajte v bližino goriva ali motorja.
- Goriva ne dolivajte, ko je motor vklopljen.
- Pred dolivanjem goriva se prepričajte, da je motor ohlajen.
- Pred dolivanjem počasi odprite pokrovček posode za gorivo in previdno sprostite pritisk.
- Goriva ne dolivajte v zaprtih prostorih. Ne zadosten pretok zraka lahko povzroči poškodbe ali smrt zaradi zadušitve ali zastrupitve z ogljikovim monoksidom.

- Skrbno privijte pokrovček posode za gorivo, da ne pride do požara.
- Preden izdelek vklopite, ga premaknite najmanj 3 m (10 čevljev) stran od mesta, kjer ste napolnili posodo za gorivo.
- V posodo za gorivo ne nalijte preveč goriva.
- Prepričajte se, da med premikanjem izdelka ali posode za gorivo ne more priti do iztekanja.
- Izdelka ali posode za gorivo ne postavljajte v bližino odprtega ognja, isker ali indikatorskih lučk. Prepričajte se, da izdelek med skladiščenjem ni izpostavljen odprtemu ognju.
- Pri premikanju ali skladiščenju goriva uporabljajte samo odobrene posode.
- Pred dolgotrajnim skladiščenjem izpraznite posodo za gorivo. Pri odlaganju goriva ravnajte v skladu z lokalno zakonodajo.
- Pred dolgotrajnim skladiščenjem izdelek očistite.
- Pred skladiščenjem odstranite kabel vžigalne svečke, da preprečite nenameren zagon motorja.

Varnostna navodila za vzdrževanje

- Odklopite svečko, preden začnete izvajati vzdrževanje izdelka, razen če gre za nastavljanje uplinjača.
- Vse servisna opravila naj izvede odobren trgovec, razen če gre za opravila v *VZDRŽEVANJE na strani 218*.
- Prepričajte se, da se veriga ustavi, ko sprostite ročico plina.
- Ročaji naj bodo suhi in čisti, ne umazani od olja ali mešanice goriva.
- Pokrovčki in pritrditveni elementi naj bodo pravilno zatisnjeni.
- Nadomestni deli, ki niso odobreni, ali odstranitev varoval lahko povzročijo škodo na izdelku. Poleg tega se upravljalca ali druge navzoče osebe poškodujejo. Uporabljajte samo priporočene dodatke in nadomestne dele. Ne spreminjajte svojega izdelka.
- Žaga naj bo vedno dobro nabrušena in čista, da bo upravljanje z njo varno in učinkovito.
- Upoštevajte navodila za mazanje in zamenjavo dodatkov.
- Preglejte izdelek in njegove dele, ali so morda poškodovani. Pred nadaljnjo uporabo izdelka se prepričajte, da poškodovani ščitnik ali del pravilno deluje. Preglejte izdelek, da ugotovite, ali so njegovi deli morda pokvarjeni ali nepravilno poravnani in ali se gibljivi deli gladko gibajo. Preverite še druge pogoje, ki lahko vplivajo na delovanje izdelka. Prepričajte se, da je izdelek pravilno nameščen. Ščitnik ali drug poškodovan del mora popraviti ali zamenjati odobren trgovec, razen če je v navodilih za uporabo navedeno drugače.
- Ko izdelka ne uporabljate, ga hranite na suhem, visokem ali zaklenjenem mestu zunaj dosega otrok.

- Za premikanje izdelka med prevozom ali skladiščenjem uporabite ščitnik meča ali kovček.
- Ne uporabljajte odpadnega olja. Odpadno olje je lahko nevarno za uporabnika in lahko povzroči škodo na izdelku in v okolju.

SESTAVLJANJE



OPOZORILO: Preden začnete sestavljati izdelek, morate prebrati in razumeti poglavje o varnosti.

Sestavljanje meča in verige

1. Med sestavljanjem odstranite pokrovček s svečke, da preprečite nenameren zagon izdelka. (Sl. 39) (Sl. 40)
2. Odstranite matice meča in pokrov sklopke. Odstranite ščitnik za prevoz (A). (Sl. 41)
3. Postavite meč nad vijake meča. Pomaknite meč v skrajno zadnji položaj.
4. Nadenite si zaščitne rokavice za motorno žago.
5. Dvignite verigo nad pogonski zobnik in jo vpnite v utor meča. Začnite na zgornji strani meča. (Sl. 42)
6. Prepričajte se, da so robovi rezalnih členov na zgornji strani meča obrnjeni naprej.
7. Sestavite pokrov sklopke in pomaknite nastavitveni vijak verige na luknjo v meču.

8. Prepričajte se, da se gonilni členi verige pravilno prilegajo pogonskemu zobniku. Poleg tega se prepričajte še, da je veriga pravilno vpeta v utor meča.
9. S prsti privijte matice meča.
10. Privijte verigo tako, da vijak za napenjanje verige s kombiniranim ključem obrnete v smeri urinoga kazalca. Napnite verigo, da ne visi več pod mečem, a jo lahko z roko še vedno z lahkoto vrtite. (Sl. 43) in (Sl. 44)
11. Pridržite konico meča navzgor in s kombiniranim ključem privijte vijake meča. (Sl. 45)
 - Potem ko sestavite novo verigo in dokler se ta ne uteče, pogosto preverjajte napetost verige.
 - Redno preverjajte napetost verige. Pravilna napetost verige zagotavlja dobro učinkovitost žaganja in dolgo življenjsko dobo.

UPORABA



OPOZORILO: Pred uporabo izdelka morate prebrati in razumeti poglavje o varnosti.

Uporaba goriva



POZOR: Ta izdelek ima dvotaktni motor. Uporabite mešanico bencina in motornega olja za dvotaktne motorje. Mešanica mora vsebovati ustrezno količino olja. Če je razmerje med bencinom in oljem neustrezno, lahko pride do poškodb motorja.

Razmerje mešanice goriva

Razmerje mešanice goriva za bencin in olja za dvotaktni motor je 50:1 (2 %).

Bencin	Motorno olje za dvo-taktni motorje
1 galona	77 ml (2,6 unče)
1 britanska galona	95 ml (3,2 unče)
5 l	100 ml (3,4 unče)

Ustvarjanje mešanice goriva

1. Določite pravilno količino bencina in motornega olja (razmerje mešanice je 50:1). Zagotovite, da je mogoče količino mešanice goriva, ki jo ustvarite, porabiti v 30 dneh. Glejte *Razmerje mešanice goriva na strani 216*.
2. Dodajte polovično količino bencina v čisto posodo za gorivo z ventilom proti prelitju.



POZOR: Ne uporabljajte bencina, ki ima koncentracijo etanola (E10) višjo od 10 %. Izdelek se lahko tako poškoduje.



POZOR: Ne uporabljajte bencina, ki ima oktansko število nižje od 90 RON (87 AKI). Izdelek se lahko tako poškoduje.

Opomba: Če izdelek pogosto uporabljate pri visokem številu vrtljajev motorja, uporabljajte bencin z višjim oktanskim številom.

3. Dodajte celotno količino olja za dvotaktne motorje v posodo za gorivo.



POZOR: Vedno uporabite visokokakovostno olje za zračno hlajene

dvotaktne motorje. Druga olja lahko poškodujejo izdelek.

4. Posodo z mešanico goriva pretresite, da se vsebina zmeša.
5. Dodajte preostalo količino bencina v posodo za gorivo.
6. Posodo z mešanico goriva pretresite, da se vsebina zmeša.
7. Napolnite posodo za gorivo izdelka z mešanico goriva. Glejte *Razmerje mešanice goriva na strani 216*.

Polnjenje posode za gorivo

1. Prepričajte se, da je mešanica goriva pravilna in da je v posodi za gorivo z ventilom proti prelitju.
2. Če so na posodi za gorivo ostanki goriva, posodo očistite in počakajte, da se posuši.
3. Zagotovite, da je območje okrog pokrovčka posode za gorivo čisto.
4. Odstranite pokrovček posode za gorivo. (Sl. 46)
5. Preden mešanico goriva nalijete v posodo za gorivo, posodo za gorivo pretresite.
6. Znova namestite pokrovček posode za gorivo.

Mazanje verige

Izdelek ima samodejen sistem za mazanje. Poskrbite, da uporabljate samo pravilno olje za verigo in upoštevate navodila.

1. Uporabite olje za verige, ki se pridobiva iz rastlin, ali standardno olje za verige.
2. Poskrbite, da je območje okrog pokrovčka posode za olje za verigo čisto.
3. Odstranite pokrovček posode za olje za verigo.
4. Napolnite posodo za olje za verigo s priporočenim oljem za verigo.
5. Znova namestite pokrovček posode za olje za verigo.

Pred zagonom motorja

- Izdelek preglejte in zagotovite, da na njem ni manjkajočih, poškodovanih ali odvitih delov.
- Preglejte matice in vijake.
- Preglejte zračni filter.
- Preglejte zaklep ročice plina in ročico plina ter zagotovite, da pravilno delujeta.
- Preverite, ali izklopno stikalo pravilno deluje.
- Preglejte, ali iz izdelka izteka gorivo.
- Preglejte ostrino in napetost verige.

Zagon hladnega motorja

1. Premaknite sprednji štečnik za roko naprej, da aktivirate zavoro verige. (Sl. 47)
2. Povlecite ročico čoka navzven in navzgor.

3. Šestkrat pritisnite membrano črpalke za gorivo. (Sl. 48)
4. Z levo roko pritisnite ohišje izdelka ob tla. Ne stopajte na izdelek. Počasi povlecite ročico zaganjalne vrvice, dokler ne začutite določenega upora. Nato ročico zaganjalne vrvice močno povlecite. (Sl. 49)

Opomba: Med zaganjanjem motorja ne pritisčajte ročice plina.

5. Vlecite ročico zaganjalne vrvice, dokler se motor ne zažene oziroma skoraj zažene (največ trije potegi). Ko motor zažene ali se ta skoraj zažene, ročico čoka potisnite navzdol. (Sl. 50)



POZOR: Zaganjalne vrvice ne vlecite, dokler se ne ustavi. Ko je zaganjalna vrstica popolnoma iztegnjena, je ne izpuscite. Zaganjalno vrstico počasi spustite. Če teh navodil ne upoštevate, se lahko motor poškoduje.

6. Vlecite, dokler se motor ne zažene. Po zagonu počakajte 60 sekund in nato pritisnite ročico plina.
7. Sprednji štečnik za roke povlecite nazaj proti sprednjemu ročaju, da sprostite zavoro verige.
8. Z desno roko držite zadnji ročaj, z levo pa sprednji ročaj.
9. Uporabite izdelek.

Zagon toplega motorja

1. Premaknite sprednji štečnik za roko naprej, da aktivirate zavoro verige. (Sl. 51)
2. Povlecite ročico čoka navzven in navzgor.
3. Šestkrat pritisnite membrano črpalke za gorivo. (Sl. 52)
4. Potisnite ročico dušilnega ventila navzdol. (Sl. 53)
5. Z levo roko pritisnite ohišje izdelka ob tla. Ne stopajte na izdelek. Počasi povlecite ročico zaganjalne vrvice, dokler ne začutite določenega upora. Nato ročico zaganjalne vrvice močno povlecite. (Sl. 54)



POZOR: Zaganjalne vrvice ne vlecite, dokler se ne ustavi. Ko je zaganjalna vrstica popolnoma iztegnjena, je ne izpuscite. Zaganjalno vrstico počasi spustite. Upoštevajte ta navodila, da se motor ne poškoduje.

Opomba: Med zaganjanjem motorja ne pritisčajte ročice plina.

6. Vlecite ročico zaganjalne vrvice, dokler se motor ne zažene oziroma skoraj zažene (največ trije potegi). Po zagonu počakajte 60 sekund in nato pritisnite ročico plina.

7. Povlecite sprednji ščitnik za roko nazaj v smeri proti sprednjemu ročaju, da sprostite zavoro verige.
8. Z desno roko držite zadnji ročaj, z levo pa sprednji ročaj.
9. Uporabite izdelek.

Zagon izdelka, ko je gorivo prevroč

Če se izdelek ne zažene, je lahko za to krivo prevroč gorivo.

Opomba: Vedno uporabite novo gorivo in v toplem vremenu skrajšajte čas delovanja.

1. Postavite izdelek na hladno in v senco.
2. Počakajte vsaj 20 minut, da se izdelek ohladi.
3. Večkrat pritisnite membrano črpalke za gorivo v času 10–15 sekund.
4. Upoštevajte postopek za zagon hladnega motorja. Glejte *Zagon hladnega motorja na strani 217*.

Zaustavitev

- Za zaustavitev motorja pritisnite izklopno stikalo.

Opomba: Izklopno stikalo se samodejno vrne v začetni položaj.

Uporaba zobate opore

Zobata opora preprečuje povratne sunke in drži les, ko ga žagate. Zobata opora je vrtilna os med telesom motorja in mečem.

1. Postavite spodnji konec zobate opore na pravilno širino ščetine.
2. Z levo roko potiskajte sprednji ročaj in pri tem z desno roko dvigajte zadnji ročaj.
3. Žagajte do pravilne širine ščetine.

Opomba: Ščetina mora biti povsod enako debela.

4. Zažagajte več kot polovico premera in nato v nastalo zarezo vstavite zagozdo za podiranje.

Podiranje drevesa

1. Z debla drevesa odstranite zemljo, kamne, odstopajoče lubje, žeblje, sponke in žico.
2. Naredite zasek do globine 1/3 premera debla pravokotno na smer padanja. (Sl. 55)
3. Naredite spodnji vodoravni rez. To pomaga preprečiti priščipnjenje verige ali meča, ko delate drugi rez.

4. Naredite rez za podžaganje (X) najmanj 50 mm (2 palca) višje od vodoravnega reza zaseka. Rez za podžaganje naj bo vzporeden z vodoravnim rezom zaseka, da ostane dovolj lesa za ščetino. Ne prežagajte debla vse do vrha zaseka. Les ščetine preprečuje, da bi se drevo zavrtelo in padalo v nepravilni smeri. (Sl. 56) in (Sl. 57)
5. Ko se zareza podžaganja bliža ščetini, drevo začne padati. Zagotovite, da lahko drevo pade v pravilno smer ter da se ne more zazibati nazaj in priščipniti verige. Da to preprečite, ustavite rezanje zareze podžaganja. Z bloki iz lesa, plastike ali aluminija odprite zarezo in pustite, da drevo pade po ustrezni liniji padca. (Sl. 58)
6. Ko drevo začne padati, izdelek odstranite iz zareze. Izklopite motor, odložite izdelek in sledite načrtovani poti umika. Bodite pozorni na padajoče veje in pazite, kam stopate. (Sl. 59)

Kleščanje drevesa

1. Deblo s pomočjo večjih vej dvignite od tal.
2. Manjše veje odžagajte z eno potezo. (Sl. 60)
3. Napete veje žagajte od spodaj navzgor, da preprečite priščipnjenje verige ali meča.

Prežaganje debla



POZOR: Veriga se ne sme dotakniti tal.

- Če je deblo podprto po celotni dolžini, začnite žagati na zgornji strani debla (žaganje od zgoraj navzdol). (Sl. 61)
- Če je deblo podprto na enem koncu, ga prežagajte do globine 1/3 premera s spodnje strani (žaganje od spodaj navzgor).
- Če je deblo podprto na obeh koncih, ga prežagajte do globine 1/3 premera z zgornje strani. Rez dokončajte tako, da prežagate 2/3 premera s spodnje strani, dokler ne dosežete prvega reza. (Sl. 62)
- Če deblo žagate na pobočju, morate vedno stati višje od debla. Prežagajte deblo in pri tem ohranjajte popoln nadzor nad izdelkom. Nato proti koncu reza sprostite pritisk in trdno držite zadnji in sprednji ročaj žage. (Sl. 63)

VZDRŽEVANJE



OPOZORILO: Pred čiščenjem in izvajanjem popravil ali vzdrževalnih del na izdelku

morate prebrati in razumeti poglavje o varnosti.

Urnik vzdrževanja

Dosledno sledite urniku vzdrževanja. Izračunani intervali veljajo za vsakodnevno uporabo izdelka. Če izdelka ne uporabljate vsak dan, veljajo drugačni intervali. Izvajajte samo postopke vzdrževanja, ki jih vsebuje ta priročnik. Glede drugih postopkov vzdrževanja, ki jih ta priročnik ne vsebuje, se obrnite na pooblaščen servisni center.

Dnevno vzdrževanje

- Očistite zunanje površine.
- Zagotovite, da gumb za zaklepanje ročice plina in ročica plina pravilno delujeta.
- Očistite zavoro verige in zagotovite, da deluje pravilno.
- Preverite, ali je lovilnik verige poškodovan. Če je lovilnik verige poškodovan, ga zamenjajte.
- Meč dnevno obračajte in tako zagotovite, da se enakomerno obrablja.
- Zagotovite, da mazalna odprtina v meču ni zamašena.
- Izpod pokrova zobnika odstranite prah žaganja in drug neželeni material.
- Očistite utor meča.
(Sl. 64)
- Zagotovite, da je mazanje meča in verige z oljem zadostno.
- Preverite in se prepričajte:
 - da na kovcih in členih ni razpok,
 - da kovice in členi niso neenakomerno obrabljeni,
 - da je pravilno napeta,
 - da na gonilnih členih verige ni grobih ostankov.

Verigo po potrebi zamenjajte.

- Verigo nabrusite. Glejte *Brušenje verige na strani 220*.
- Preverite, ali je pogonski zobnik preveč obrabljen, in ga po potrebi zamenjajte.
(Sl. 65)
- Očistite dovod zraka ohišja motorja.
- Prepričajte se, da so matice in vijaki dobro priviti.
- Zagotovite, da glavno stikalo deluje pravilno.

Tedenska vzdrževalna opravila

- Zagotovite, da hladilni sistem deluje pravilno.
- Zagotovite, da zaganjalnik, zaganjalna vrstica in povratna vzmet delujejo pravilno.
- Prepričajte se, da protivibracijski elementi niso poškodovani.

(Sl. 66)

- Z robov meča opilite vse grobe ostanke.
- Očistite ali zamenjajte mrežico lovilnika isker na dušilniku.

(Sl. 67)

- Očistite zunanje površine uplinjača in bližnjih območij.

- Očistite zračni filter. Če je zračni filter poškodovan ali preveč umazan, da bi ga lahko temeljito očistili, namestite novega. Za več informacij glejte *Čiščenje zračnega filtra na strani 220*.

Mesečna vzdrževalna opravila

- Preverite, ali je zavorni trak na zavori verige obrabljen. Trak zamenjajte, ko je debelina zavornega traku na najbolj obrabljenem delu manjša od 0,6 mm (0,024 palca).

(Sl. 68)

- Preverite, ali so središčni del, boben in vzmet sklopke obrabljeni.
- Zamenjajte vžigalno svečko. Prepričajte se, da je razmak pri elektrodi pravilen.

(Sl. 69)

- Očistite zunanje površine uplinjača in bližnjih območij.
- Preglejte filter za gorivo in cev za gorivo. Po potrebi jih zamenjajte.
- Izpraznite posodo za gorivo.
- Izpraznite posodo za olje.
- Preverite vse kable in povezave.

Letno vzdrževanje

- Preglejte svečko.
- Očistite zunanje površine uplinjača in bližnjih območij.
- Očistite hladilni sistem.
- Preglejte lovilnik isker.
- Preglejte filter goriva.
- Preverite, ali je cev goriva poškodovana.
- Preverite vse kable in povezave.

Redno vzdrževanje

- V pooblaščenem servisnem centru naj izvedejo popravilo ali zamenjavo dušilnika po 50 urah delovanja.
- Izvedite vzdrževalna dela na vžigalni svečki:
 - če je moč motorja nizka,
 - če se motor s težavo zažene,
 - če motor pri hitrosti prostega teka ne deluje pravilno.
- Ob vsakem dolivanju goriva preverite, ali je veriga dovolj namazana. Glejte *Preverjanje mazanja verige na strani 221*.

Prilagajanje hitrosti prostega teka

Pred prilagajanjem hitrosti prostega teka zagotovite, da je zračni filter čist in da je nameščen pokrov zračnega filtra.

1. Vijak za prilagoditev prostega teka z oznako "T" obrnite v smeri vrtenja urinih kazalcev, dokler se veriga ne začne vrteti.

2. Vijak za prilagoditev prostega teka z oznako "T" obrnite v nasprotni smeri vrtenja urinih kazalcev, dokler se veriga ne ustavi.
3. Hitrost prostega teka mora biti nižja od hitrosti, pri kateri se veriga začne vrteti. Hitrost prostega teka je nastavljena pravilno, ko motor deluje enakomerno v vsakem položaju.

Vzdrževalna dela na lovilniku isker

- Mrežico lovilnika isker očistite z žično krtačo. (Sl. 70)

Vzdrževalna dela na vžigalni svečki



POZOR: Uporabite priporočeno svečko. Nadomestna svečka naj bo iste vrste kot priložena svečka proizvajalca. Če uporabite neustrezno svečko, se lahko izdelek poškoduje.

1. Če se pojavijo težave pri zagonu ali delovanju izdelka, preverite, ali so se na svečki nabrale obloge. Tveganje za pojav oblog na elektrodah svečke lahko zmanjšate na naslednje načine:
 - a) preverite, ali je hitrost prostega teka pravilno nastavljena,
 - b) zagotovite, da je mešanica goriva ustrezna,
 - c) zagotovite, da je zračni filter čist.
2. Če je svečka umazana, jo očistite. Prepričajte se, da je razmak pri elektrodi pravilen. (Sl. 71)
3. Svečko po potrebi zamenjajte.

Čiščenje zračnega filtra

1. Odstranite pokrov zračnega filtra in zračni filter. (Sl. 72)
2. Zračni filter očistite s toplo milnico. Počakajte, da se zračni filter posuši, preden ga znova namestite.
3. Če je zračni filter preveč umazan, da bi ga lahko temeljito očistili, ga zamenjajte. Če je zračni filter poškodovan, ga zamenjajte.

Brušenje verige

Nož

Rezalni del verige se imenuje rezilo, ki ga sestavlja rezalni zob (A) in mera globine (B). Globino reza noža določa razlika v višini med rezalnim zobom in mero globine reza, ki se imenuje nastavev globine reza (C). (Sl. 73)

Pri brušenju rezalnih zob si zapomnite štiri pomembne dejavnike:

- Kot piljenja. (Sl. 74)
- Kot rezanja. (Sl. 75)

- Položaj pile. (Sl. 76)
- Premer okrogile pile. (Sl. 77)

Brušenje rezalnih zob

Rezalne zobe nabrusite z okroglo pilo in šablono. Za več informacij o priporočenih merah pile in šablone za verigo, nameščeno na vašem izdelku, glejte *Piljenje verige in kombinacije verig na strani 223*. (Sl. 78)

1. Zagotovite, da je veriga ustrezno napeta. Če veriga ni ustrezno napeta, se premika, zato je ni mogoče pravilno nabrusiti.
2. S pilo nabrusite vse zobe na eni strani. Nato s pilo nabrusite rezalne zobe od znotraj in zmanjšajte pritisk v povratni smeri.
3. Izdelek obrnite na drugo stran in s pilo nabrusite zobe.
4. Vse zobe zbrusite na enako višino. Ko je višina rezalnih zob 4 mm (5/32 palca), zamenjajte obrabljeno verigo.

Prilagoditev nastavitve globine reza

Preden določite nastavev globine reza, nabrusite rezalne zobe. Glejte *Brušenje rezalnih zob na strani 220*. Ko brusite rezalni zob (A), se nastavev mere globine reza (C) zmanjša. Če želite ohraniti optimalno učinkovitost rezanja, je treba spliliti mero globine reza (B), da se doseže priporočena nastavev mere globine reza. Za ustrezno nastavev mere globine reza za dano verigo glejte *Piljenje verige in kombinacije verig na strani 223*.

(Sl. 79)

(Sl. 80)

Opomba: To priporočilo velja le, če rezalni zobje niso biti prekratki.

Mero globine reza prilagodite s ploščato pilo in šablono za brušenje globinski zob.

1. Šablono za brušenje globinskih zob postavite nad verigo. Podrobne informacije o uporabi šablone za brušenje globinskih zob najdete na embalaži šablone za brušenje globinskih zob.
2. S ploščato pilo spiliti konico globine reza, ki se razteza skozi šablono za brušenje globinskih zob. Nastavev globine reza je pravilna, ko pri brušenju s pilo po šablono za brušenje globinskih zob ne čutite več upora.

Nastavev napetosti verige

Opomba: Med obdobjem utekanja nove verige pogosto preverjajte njeno napetost.

1. Sprostite matice meča, s katerimi je pritrjen pokrov zobnika. Uporabite kombiniran ključ. (Sl. 81)
2. Nato z rokami čim močneje zategnite matice meča.
3. Dvignite zgornjo stran meča in iztegnite verigo tako, da zategnete vijak za napenjanje verige. Uporabite kombiniran ključ. Napenjajte verigo, dokler na spodnji strani meča ni več povešena. (Sl. 82)
4. S kombiniranim ključem zategnite matice meča in hkrati dvignite konico meča. (Sl. 83)
5. Prepričajte se, da lahko verigo nemoteno obračate z rokami in da ni povešena. (Sl. 84)

Mazanje rezalne opreme

Preverjanje mazanja verige

Ob vsakem dolivanju goriva preverite, ali je veriga dovolj namazana.

1. Zaženite izdelek in pustite, da teče pri 3/4 hitrosti. Konico meča usmerite proti svetli podlagi. Od podlage naj bo oddaljena približno 20 cm (8 palcev).
2. Po 1 minuti delovanja je na svetli podlagi vidna črta olja.
3. Če se črta olja po 1 minuti ne prikaže, očistite oljni kanal v meču. Očistite utor na robu meča. Zagotovite, da se zobnik konice meča nemoteno vrti in da mazalna odprtina ni zamašena. Očistite in namažite zobnik konice meča.
4. Zaženite izdelek in pustite, da teče pri 3/4 hitrosti. Konico meča usmerite proti svetli podlagi. Od podlage naj bo oddaljena približno 20 cm (8 palcev).
5. Po 1 minuti delovanja je na svetli podlagi vidna črta olja.
6. Če se črta olja po 1 minuti ne prikaže, se obrnite na pooblaščenega prodajalca.

PREVOZ

- Pred prevažanjem izpraznite posodo za gorivo in posodo za olje za verigo. Tekočine pravilno zavržite.
- Med prevozom na rezalni priključek namestite ščitnik meča. Tako preprečite, da bi se kdo po nesreči dotaknil ostre verige. Ostre verige, ki ni v uporabi, se ni dovoljeno dotikati, saj lahko pride do poškodb.
- Pred prevažanjem odstranite pokrovček s svečke in aktivirajte zavoro verige.
- Zagotovite, da je izdelek med prevažanjem dobro pritrjen.

SKLADIŠČENJE

- Ko izdelka ne uporabljate, ga varno pospravite. Hlapi in tekočine, ki iztekajo iz izdelka, lahko pridejo v stik z iskrami ali neposrednimi plameni iz električne opreme, električnih kosilnic, relejev/stikal, grelnikov vode itd.
- Gorivo vedno shranjujte v odobreni posodi.
- Pri daljšem skladiščenju izdelka izpraznite posodo za gorivo in posodo za olje za verigo. Tekočine pravilno zavržite.
- Med skladiščenjem na rezalni priključek namestite ščitnik meča. Tako preprečite, da bi se kdo po nesreči dotaknil ostre verige. Ostre verige, ki ni v uporabi, se ni dovoljeno dotikati, saj lahko pride do hudih poškodb.
- Pred skladiščenjem odstranite pokrovček s svečke in aktivirajte zavoro verige.

TEHNIČNI PODATKI

	enota	130 (H13038HV)	135 Mark II (H13038HV)
Specifikacije motorja			
Gibna prostornina valja	cm ³	38	38
Vžigalna svečka	—	NGK BPMR 7A	NGK BPMR 7A
Razmak med elektrodama	mm (palci)	0,5 (0,02)	0,5 (0,02)
Prostornina posode za gorivo	cm ³	350	350
Število vrtljajev v prostem teku	min ⁻¹	2800–3200	2800–3200
Izhodna moč pri 9000 min ⁻¹	kW	1,5	1,6

	enota	130 (H13038HV)	135 Mark II (H13038HV)
Čas trajanja emisij	h	125	125
Podatki o hrupu in vibracijah			
Ekvivalentna raven vibracij (ahv, eq) za levi ročaj ⁷¹	m/s ²	3,72	3,72
Ekvivalentna raven vibracij (ahv, eq) za desni ročaj ⁷²	m/s ²	5,5	5,5
Zagotovljena raven hrupa (L_{WA}) ⁷³	dB (A)	116	116
Izmerjena raven hrupa ⁷⁴	dB (A)	114	114
Raven zvočnega tlaka pri upravljavčevem ušesu ⁷⁵	dB (A)	102	102
Mere izdelka			
Teža (brez rezalne opreme)	kg	4,68 (10,3)	4,68 (10,3)
Prostornina posode za olje	cm ³	260	260
Sistem za gorivo in mazanje			
Zmogljivost oljne črpalke pri 9000 min ⁻¹	ml/min	9	9
Vrsta oljne črpalke	—	Samodejna	Samodejna
Veriga in meč			
Standardna dolžina meča	cm (in)	35–40 (14–16)	35–40 (14–16)
Priporočena dolžina meča	cm (in)	35–40 (14–16)	35–40 (14–16)
Uporabna dolžina reza	cm (in)	33-38 (13-15)	33-38 (13-15)
Najvišja hitrost verige	m/s	22,3	22,3
Korak verige	mm (palci)	9,52 (3/8)	9,52 (3/8)
Debelina gonilnih členov (šablona)	mm (palci)	1,3 (0,050)	1,3 (0,050)
Vrsta pogonskega zobnika	—	Verižnik	Verižnik
Število zob pogonskega zobnika	—	6	6

⁷¹ Ekvivalentna raven vibracij se izračuna kot časovno ovrednotena skupna količina energije za ravni vibracij v različnih delovnih pogojih. Zabeleženi podatki za ekvivalentno raven vibracij imajo tipično statistično razpršitev (standardni odklon) 1,5 m/s².

⁷² Ekvivalentna raven vibracij se izračuna kot časovno ovrednotena skupna količina energije za ravni vibracij v različnih delovnih pogojih. Zabeleženi podatki za ekvivalentno raven vibracij imajo tipično statistično razpršitev (standardni odklon) 1,5 m/s².

⁷³ Emisije hrupa v okolje, merjene kot moč zvoka (L_{WA}).

⁷⁴ Emisije hrupa v okolje, merjene kot moč zvoka (L_{WA}).

⁷⁵ Ekvivalentna raven zvočnega tlaka se izračuna kot časovno ovrednotena skupna količina energije za različne ravni zvočnega tlaka v različnih delovnih pogojih. Tipična statistična razpršitev za ekvivalentno raven zvočnega tlaka je standardni odklon 2,5 dB (A).

DODATNA OPREMA

Kombinacije mečev in verig

Meč				Veriga motorne žage	
Dolžina	Korak	Šablona	Najv. polmer konice meča	Vrsta	Število gonilnih členov
14 palcev	3/8 palca	0,050 palca	7T	Husqvarna H37	52
16 palcev				Husqvarna S93G	56

Piljenje verige in kombinacije verig

Vrsta verige	Velikost okrogle pile	Kot stranske plošče	Kot zgornje plošče	Kot vodila pile	Nastavitev globine reza	Št. dela za mero globine reza	Št. dela za šablono za piljenje
H37, S93G	5/32 pal. 4,0 mm	80°	30°	0°	0,025/0,65	5056981-03	5052437-01

VSEBINA IZJAVE ES O SKLADNOSTI

Pri Husqvarna AB, SE 561 82 Huskvarna, ŠVEDSKA, na lastno odgovornost izjavljamo, da je predstavljeni izdelek:

Opis	Bencinska motorna žaga
Znamka	Husqvarna
Platforma/vrsta/model	Platforma P02138HV, natančneje model 130, 135 generacije II
Serijska	Serijske številke od letnika 2018 dalje

popolnoma skladen z naslednjimi direktivami in uredbami EU:

Direktiva/uredba	Opis
2006/42/ES	o strojih
2014/30/EU	o elektromagnetni združljivosti
2000/14/ES	o zunanjem hrupu

Direktiva/uredba	Opis
2011/65/EU	"o omejevanju uporabe nekaterih nevarnih snovi"

Usklajeni standardi in/ali tehnične specifikacije v veljavi: EN ISO 12100, EN ISO 11681-1, CISPR 12, ISO 14982

V skladu z direktivo 2000/14/ES, priloga V, so določene ravni zvoka navedene v poglavju s tehničnimi podatki v tem priročniku in v podpisani izjavi EU o skladnosti.

TÜV Rheinland LGA Products GmbH, priglasi organ za stroje (pod številko 0197), Tillystraße 2 – 90431 Nürnberg, Nemčija, je opravil tipski preskus ES v skladu z direktivo 2006/42/ES, člen 12, točka 3b.

Ta certifikat o opravljenem tipskem preskusu, v skladu s prilogo IX, kot je naveden v podpisani izjavi o skladnosti, velja za vse proizvodne lokacije in države porekla, navedene na izdelku.

Ta motorna žaga je izdelana v skladu z vzorcem, na katerem je bil izveden tipski preskus ES.

SPIS TREŚCI

WSTĘP.....	224	TRANSPORT.....	235
BEZPIECZEŃSTWO.....	225	PRZECHOWYWANIE.....	235
MONTAŻ.....	229	DANE TECHNICZNE.....	235
OBSŁUGA.....	230	AKCESORIA.....	237
KONSERWACJA.....	232	TREŚĆ DEKLARACJI ZGODNOŚCI Z NORMAMI WE.....	237

WSTĘP

Instrukcja obsługi

Oryginalnym językiem niniejszej instrukcji obsługi jest angielski. Instrukcje obsługi w innych językach są tłumaczone z angielskiego.

Przegląd

(Rys. 1)

1. Pokrywa cylindra
2. Pompka
3. Tabliczka z numerem produktu i numerem seryjnym
4. Naklejki informacyjne i ostrzegawcze
5. Wyłącznik
6. Uchwyt tylny
7. Zbiornik paliwa
8. Rączka linki rozrusznika
9. Obudowa rozrusznika
10. Znacznik kierunku obalania
11. Zbiornik oleju do smarowania łańcucha
12. Uchwyt przedni
13. Hamulec łańcucha i zabezpieczenie przed odbiciem
14. Tłumik
15. Łańcuch
16. Końcówka prowadnicy
17. Prowadnica
18. Śruba regulująca napięcie łańcucha (130)
19. Śruba regulująca napięcie łańcucha (135 Mark II)
20. Zderzak
21. Wychwytnik łańcucha
22. Osłona sprzęgła
23. Osłona prawej ręki
24. Spust przepustnicy
25. Blokada wyzwalania przepustnicy
26. Osłona prowadnicy
27. Narzędzie wielofunkcyjne
28. Instrukcja obsługi

Symbole znajdujące się na produkcie

- (Rys. 2) Ostrzeżenie
- (Rys. 3) Przeczytać niniejszą instrukcję
Użyć zatwierdzonych środków ochrony
głowy, słuchu i oczu
- (Rys. 4)
- (Rys. 5) Stosować rękawice ochronne
- (Rys. 6) Produkt jest zgodny z odpowiednimi
dyrektywami Rady Europejskiej
- (Rys. 7) Moc akustyczna
- (Rys. 8) Hamulec piły łańcuchowej, niewłączony
(lewa strona). Hamulec piły łańcuchowej,
włączony (prawa strona)
- (Rys. 9) Dźwignia ssania
- (Rys. 10) Pompka
- (Rys. 11) Uzupelnianie paliwa
- (Rys. 12) Napełnianie oleju do smarowania łańcucha
- (Rys. 13) Ten produkt jest zgodny z odpowiednimi
dyrektywami EAC
- (Rys. 14) Ten produkt jest zgodny z odpowiednimi
dyrektywami Ukrainy
- (Rys. 15) Ten produkt jest zgodny z odpowiednimi
dyrektywami Korei
- (Rys. 16) Ten produkt jest zgodny z odpowiednimi
dyrektywami Japonii
- (Rys. 17) Poziom hałas

- (Rys. 18) Maszynę należy mocno trzymać dwiema rękami
- (Rys. 19) Nie należy trzymać maszyny jedną ręką
- (Rys. 20) Unikać kontaktu z wierzchołkiem prowadnicy
- (Rys. 21) Uważaj na odbicie
- (Rys. 22) Ten produkt jest zgodny z odpowiednimi dyrektywami Australii i Nowej Zelandii

dotyczącymi kompatybilności elektromagnetycznej

Uwaga: Pozostałe symbole/naklejki samoprzylepne umieszczone na produkcie dotyczą wymogów związanych z certyfikatami w innych obszarach komercyjnych.

Propozycja 65

(Rys. 23)

UE V



OSTRZEŻENIE: Ingerencja w silnik powoduje unieważnienie europejskiego zatwierdzenia typu produktu.

Odpowiedzialność za produkt

Zgodnie z przepisami dotyczącymi odpowiedzialności za produkt nie ponosimy odpowiedzialności za szkody spowodowane przez nasz produkt, jeśli:

- produkt jest nieprawidłowo naprawiany.
- produkt jest naprawiany przy użyciu części nie pochodzących od producenta lub niezatwierdzonych przez producenta.
- produkt jest wyposażony w akcesoria nie pochodzące od producenta lub niezatwierdzone przez producenta.
- produkt nie jest naprawiany w autoryzowanym centrum serwisowym lub przez autoryzowaną placówkę.

BEZPIECZEŃSTWO

Definicje dotyczące bezpieczeństwa

Poniższe definicje nadają poziom znaczenia każdemu słowu sygnałowemu.



OSTRZEŻENIE: obrażenia osób.



UWAGA: Uszkodzenie produktu.

Uwaga: Ta informacja ułatwia używanie maszyny.

Ogólne zasady bezpieczeństwa

- Należy prawidłowo używać maszyny. Nieprawidłowe używanie grozi obrażeniami lub śmiercią. Maszyny należy używać wyłącznie do zadań opisanych w niniejszej instrukcji. Nie używać produktu do innych zadań.
- Zapoznać się z informacjami zawartymi w niniejszej instrukcji i przestrzegać ich. Stosować się do symboli i zasad bezpieczeństwa. W przypadku nieprzestrzegania instrukcji i symboli istnieje ryzyko wystąpienia obrażeń, uszkodzeń lub śmierci.
- Nie wolno wyrzucać tej instrukcji. Należy stosować się do instrukcji montażu, obsługi i konserwacji produktu. Należy stosować się do instrukcji montażu

- osprzętu i akcesoriów. Stosować wyłącznie zatwierdzony osprzęt i akcesoria.
- Nie wolno używać uszkodzonego produktu. Przestrzegać planu konserwacji. Przeprowadzać wyłącznie te prace konserwacyjne, które są opisane w tej instrukcji. Wszystkie inne prace konserwacyjne muszą być wykonywane przez autoryzowane centrum serwisowe.
- Niniejsza instrukcja nie obejmuje wszystkich sytuacji, które mogą wystąpić podczas używania produktu. Należy zachować ostrożność i kierować się zdrowym rozsądkiem. Nie wolno obsługiwać produktu lub wykonywać prac konserwacyjnych w przypadku braku pewności co do danej sytuacji. Skontaktować się ze specjalistą ds. produktu, dealerem, warsztatem obsługi technicznej lub autoryzowanym centrum serwisowym w celu uzyskania informacji.
- Przed przystąpieniem do montażu lub konserwacji oraz na czas długiego przechowywania maszyny odłączyć świecę zapłonową.
- Nie używać produktu w przypadku zmiany jego początkowych specyfikacji. Nie wymieniać części maszyny bez zgody producenta. Używać wyłącznie części zatwierdzonych przez producenta. Nieprawidłowa konserwacja może doprowadzić do obrażeń lub śmierci.
- Nie wdychać spalin z silnika. Wdychanie przez długi czas spalin silnika, mgły oleju do smarowania piły łańcuchowej i pyłu towarzyszącego powstawaniu wirów może powodować zagrożenie dla zdrowia.
- Nigdy nie włączać urządzenia w pomieszczeniach zamkniętych lub w pobliżu materiałów łatwopalnych.

Spaliny mają wysoką temperaturę, a ponadto mogą wraz z nimi wydostawać się iskry, dlatego stanowią zagrożenie pożarowe. Brak dostatecznego przepływu powietrza grozi odniesieniem obrażeń lub śmiercią z powodu uduszenia lub zatrucia tlenkiem węgla

- Niniejszy produkt podczas pracy wytwarza pole elektromagnetyczne. Może ono spowodować uszkodzenie implantów medycznych. Przed użyciem produktu należy skontaktować się z lekarzem oraz producentem implantu medycznego.
- Nie pozwalać dzieciom używać maszyny.
- Nie pozwalać osobom nieznającym instrukcji używać maszyny.
- Należy zawsze kontrolować osobę o ograniczonych możliwościach fizycznych lub umysłowych podczas używania produktu. Zawsze musi jej towarzyszyć odpowiedzialna osoba dorosła.
- Przechowywać maszynę w miejscu niedostępnym dla dzieci i nieuprawnionych osób.
- Maszyna może wyrzucać przedmioty i powodować obrażenia. Należy przestrzegać zasad bezpieczeństwa, aby zmniejszyć ryzyko odniesienia obrażeń lub śmierci.
- Nie odchodzić od maszyny podczas pracy silnika. Zatrzymać silnik i upewnić się, że łańcuch nie obraca się.
- Operator maszyny jest odpowiedzialny za ewentualne wypadki.
- Przed przystąpieniem do używania produktu upewnić się, że części nie są uszkodzone.
- Stosować się do przepisów krajowych lub lokalnych. Mogą one zabraniać lub ograniczać używanie produktu w niektórych sytuacjach.

Instrukcje bezpieczeństwa dotyczące obsługi

- Ciągłe lub regularne użytkowanie produktu może prowadzić do uszkodzenia choroby zwanej „białymi palcami” lub podobnych problemów medycznych wynikających z drgań. Sprawdzić stan dłoni i palców w przypadku ciągłego lub regularnego użytkowania produktu. W przypadku odbarwienia dłoni lub palców, bólu, mrowienia lub braku czucia należy wstrzymać pracę i natychmiast skonsultować się z lekarzem.
- Przed przystąpieniem do używania produktu upewnić się, że jest on w pełni zmontowany.
- Należy pamiętać o niebezpieczeństwie wyrzucania cząstek ciał stałych, które mogą spowodować uszkodzenie wzroku. Podczas używania maszyny zawsze stosować atestowaną osłonę oczu.
- Należy zachować ostrożność, ponieważ dziecko może niezauważenie podejść w pobliże urządzenia podczas jego pracy.
- Nie używać maszyny, jeśli w obszarze pracy znajdują się osoby trzecie. Zatrzymać maszynę, jeśli inna osoba znajdzie się w obszarze pracy.

(Rys. 24)

- Zawsze należy zapewniać kontrolę nad maszyną.
- Maszynę należy obsługiwać dwoma rękami. Maszynę nie wolno obsługiwać jedną ręką. Obsługiwanie maszyny jedną ręką może prowadzić do poważnych obrażeń operatora, pracowników lub osób postronnych
- Lewą ręką chwycić uchwyt przedni, a prawą — tylny. Trzymać maszynę po prawej stronie ciała.

(Rys. 25)

- Osoba, która jest zmęczona, chora lub pod wpływem alkoholu albo narkotyków nie może obsługiwać urządzenia.
- Nie używać maszyny, jeśli otrzymanie pomocy w razie wypadku będzie niemożliwe. Przed uruchomieniem maszyny i rozpoczęciem jej użytkowania należy poinformować osoby postronne.
- Przed obróceniem się z maszyną należy upewnić się, że wszystkie osoby i zwierzęta znajdują się w bezpiecznym obszarze.
- Przed rozpoczęciem pracy usunąć wszystkie niechciane materiały z obszaru pracy. Jeśli łańcuch uderzy w jakiś przedmiot, przedmiot ten może zostać wyrzucony i spowodować obrażenia lub straty materialne. Niepożądane materiały mogą owinąć się wokół łańcucha i spowodować uszkodzenia.
- Nie wolno używać produktu przy złej pogodzie (we mgle, w deszczu, przy silnym wietrze, gdy istnieje prawdopodobieństwo wystąpienia burzy lub innych niekorzystnych zjawisk atmosferycznych). Złe warunki pogodowe mogą powodować niebezpieczne sytuacje, jak np. podwyższone niebezpieczeństwo poślizgnięcia się i utraty równowagi.
- Należy zapewnić sobie możliwość swobodnego poruszania i pracy w stabilnej pozycji.
- Należy zabezpieczyć się przed upadkiem podczas używania produktu. Nie pochylać się podczas używania produktu.
- Zawsze należy trzymać maszynę dwiema rękami. Lewą ręką chwycić uchwyt przedni, a prawą — tylny. Trzymać maszynę po prawej stronie ciała.
- Jeśli dźwignia ssania znajduje się w położeniu włączenia ssania w momencie uruchomienia silnika, łańcuch zaczyna się obracać.
- Wylączyć silnik przed przemieszczeniem maszyny.
- Nie odkładać maszyny podczas pracy silnika.
- Wylączyć silnik przed usunięciem niepożądanego materiału z maszyny. Odczekać, aż łańcuch się zatrzyma przed usunięciem ciętego materiału.
- Nie używać maszyny na drzewie. Praca maszyną na drzewie może prowadzić do obrażeń ciała.

(Rys. 26)

- Po uruchomieniu maszyny hamulec łańcucha musi być włączony w celu zmniejszenia ryzyka uderzenia operatora przez łańcuch podczas rozruchu.

(Rys. 27)

- Uniknąć odbicia, poślizgu, podskoku i upadku, ponieważ może to prowadzić do poważnych obrażeń ciała.
- Przestrzegać wszystkich zasad bezpieczeństwa, aby uniknąć odbicia i innych sił, które mogą prowadzić do poważnych obrażeń ciała.
- Regulować napięcie łańcucha piły regularnie, aby upewnić się, że nie występuje luz. Zbyt luźny łańcuch może spaść z prowadnicy i spowodować poważne obrażenia ciała lub śmierć.
- Drzew nie wolno ścinać stosując nieprawidłową procedurę. Może to spowodować obrażenia u osób, uderzenie w linię przesyłową lub szkody w mieniu.
- Operator powinien pozostać po stronie drzewa, która jest wyżej, ponieważ po ścięciu drzewo najczęściej toczy się lub zsuwa w dół zbocza.

(Rys. 28)

- Przed rozpoczęciem wycinki należy zaplanować i oczyścić drogę ucieczki. Ścieżka ucieczki powinna rozciągać się z tyłu i po przekątnej do tylnej strony przewidywanej linii opadania.

(Rys. 29)

- Przed przemieszczeniem produktu między drzewami należy zawsze wyłączyć silnik.
- Należy stać pewnie i równomiernie rozłożyć ciężar ciała.

(Rys. 30)

- Zawsze utrzymywać odpowiedni odstęp pomiędzy stopami i obsługiwać maszynę tylko na stabilnym, bezpiecznym i płaskim podłożu. Śliskie lub niestabilne podłoża, takie jak drabiny, mogą spowodować utratę równowagi lub kontroli.

(Rys. 31)

Odbicia, poślizgi, podskoki i upadki

Na bezpieczną kontrolę nad produktem mogą mieć wpływ różne siły.

- **Poślizg** ma miejsce wtedy, gdy prowadnica porusza się szybko wzdłuż drewna.
- **Podskoki** mają miejsce wtedy, gdy prowadnica wielokrotnie na krótko unosi się ponad powierzchnię drewna i znowu na nią opada.
- **Upadek** ma miejsce wtedy, gdy produkt spada po wykonaniu cięcia. Może to spowodować, że poruszający się łańcuch dotknie części ciała lub innych przedmiotów, powodując obrażenia lub uszkodzenia.
- **Odbicie** ma miejsce wtedy, gdy koniec prowadnicy dotknie obiektów i poruszy się do tyłu, w górę lub nagle do przodu. Odbicie występuje również, gdy drewno zamyka się i zakleszcza piłę łańcuchową podczas cięcia. Utrata kontroli może wystąpić, jeśli maszyna dotknie jakiegoś obiektu w drewnie. (Rys. 32)

- **Odbicie rotacyjne** może powstać, gdy poruszający się łańcuch zetknie się z obiektem górną częścią końcówki prowadnicy. Może to

spowodować, że łańcuch zanurzy się w obiekcie i natychmiast się zatrzyma. Rezultatem jest bardzo szybka, odwrotna reakcja, która powoduje przemieszenie się prowadnicy w górę do tyłu w kierunku operatora.

(Rys. 33)

- **Odbicie zakleszczenia** może wystąpić, gdy piła łańcuchowa nagle zatrzyma się podczas cięcia. Drewno zaciska się i zakleszcza poruszający się łańcuch piły wzdłuż górnej części prowadnicy. Nagle zatrzymanie łańcucha powoduje odwrócenie siły łańcucha i ruch maszyny w kierunku przeciwnym do obrotu łańcucha. Maszyna przemieszcza się do tyłu w kierunku operatora. (Rys. 34)
- **Wciągnięcie** może wystąpić, gdy piła łańcuchowa nagle się zatrzyma, gdy poruszający się łańcuch dotyka obiektu w drewnie przy dolnej części prowadnicy. Nagle zatrzymanie powoduje pociągnięcie maszyny do przodu i z dala od operatora, co może łatwo spowodować utratę kontroli. (Rys. 35)

Przed rozpoczęciem pracy należy się upewnić, że działanie różnych sił i znajomość sposobu zapobiegania skutkom zostały prawidłowo zrozumiane. Patrz *Aby zapobiec odbiciom, poślizgom, podskokom i upadkom na stronie 227*.

Aby zapobiec odbiciom, poślizgom, podskokom i upadkom

- Gdy silnik pracuje, należy mocno trzymać maszynę. Trzymaj prawą ręką uchwyt tylny, a lewą — przedni. Mocno uchwycić rękojeści kciukami i palcami. Nie puszczać.
- Zachować kontrolę nad produktem podczas cięcia i po upadku drewna na ziemię. Nie wolno dopuszczać do tego, że masa maszyny opadnie po wykonaniu cięcia.
- Należy się upewnić, że obszar, gdzie jest wykonywane cięcie, jest wolny od blokad. Nie pozwolić, aby wierzchołek prowadnicy dotknął kłody, gałęzi lub innych elementów blokujących podczas obsługiwaną maszynę. (Rys. 36)
- Ciąć przy wysokich prędkościach obrotowych silnika.
- Nigdy nie sięgać za daleko i nie ciąć powyżej wysokości ramion. (Rys. 37)
- Należy przestrzegać instrukcji ostrzeżenia i konserwacji producenta piły łańcuchowej.
- Należy stosować tylko określone przez producenta zamiennie prowadnice i łańcuchy.
- Zbyt duża szczelina łańcucha zwiększa jego tendencję do odbić.

Środki ochrony osobistej

- Zawsze należy stosować prawidłowe środki ochrony osobistej podczas używania produktu. Środki

ochrony osobistej zmniejszając stopień obrażeń w razie wypadku, ale nie usuwają ich.

- Nie używać luźnych ubrań, które mogą zaplątać się w łańcuch pily.
- Stosować atestowany kask ochronny.
- Podczas używania produktu zawsze stosować zatwierdzoną osłonę zatwierdzone środki ochrony słuchu. Narażenie na działanie hałasu przez długi czas może spowodować utratę słuchu.
- Używać okulary ochronne lub osłonę twarzy, aby ograniczyć ryzyko odniesienia obrażeń w wyniku uderzenia latającymi obiektami. Maszyna może z dużą siłą przemieszczać różne przedmioty, takie jak wióry drzewne i małe kawałki drewna. Może to spowodować poważne obrażenia, łącznie z urazami oczu.
- Używać rękawic z ochroną przed łańcuchem pily.
- Używać spodni z ochroną przed łańcuchem pily.
- Używać butów z ochroną przed łańcuchem pily, stalowymi noskami i przeciwpoślizgowymi podeszwami.
- Należy zadbać o dostępność zestawu pierwszej pomocy.
- Mogą powstawać iskry wydostające się z tłumika, przewodnicy, łańcucha lub innego źródła. Zawsze należy mieć pod ręką narzędzia do gaszenia pożarów i łopatę, aby zapobiec pożarom lasów.

Środki zabezpieczające produktu

- Nie używać produktu z uszkodzonym wyposażeniem ochronnym. Jeśli produkt jest uszkodzony, skontaktować się z zatwierdzonym centrum serwisowym.

Aby sprawdzić wyłącznik

1. Uruchomić silnik. Patrz *Przed uruchomieniem silnika na stronie 230*.
2. Sprawdzić, czy silnik wyłącza się po przestawieniu wyłącznika do pozycji zatrzymania.

Sprawdzanie blokady manetki gazu

1. Manetka gazu (B) musi być zablokowana w położeniu biegu jałowego na czas zwalniania blokady manetki gazu (A) (Rys. 38).
2. Nacisnąć blokadę wyzwalania przepustnicy (A) i sprawdzić, czy po zwolnieniu powraca ona do pierwotnego położenia.
3. Nacisnąć manetkę gazu (B) i sprawdzić, czy po zwolnieniu powraca ona do pierwotnego położenia.
4. Uruchomić silnik i nacisnąć manetkę do oporu.
5. Zwolnić manetkę gazu i sprawdzić, czy łańcuch pily zatrzymuje się.
6. Jeśli łańcuch pily obraca się przy przepustnicy w położeniu biegu jałowego, sprawdzić śrubę regulacji obrotów biegu jałowego gaźnika.

Oslona

Oslona zapobiega odrzucaniu obiektów w kierunku operatora. Oslona zapobiega również przypadkowemu dotknięciu łańcucha tnącego przez operatora.

- Upewnij się, że osłona jest dopuszczona do pracy w połączeniu z produktem.
- Nie używać produktu bez założonej osłony.
- Należy sprawdzić, czy osłona nie jest uszkodzona. Wymienić zużyłą lub popękana osłonę.

Zasady bezpieczeństwa - paliwo

- Nie uruchamiać produktu, jeśli znajduje się na nim paliwo lub olej silnikowy. Usunąć zabrudzenia paliwem/olejem i odczekać, aż produkt wyschnie. Usunąć niepożądane paliwo z produktu.
- W przypadku rozlania paliwa na ubranie należy je natychmiast zmienić.
- Nie dopuścić do kontaktu paliwa z ciałem, ponieważ może to spowodować obrażenia. Jeśli dojdzie do kontaktu paliwa z ciałem, zmyć paliwo używając wody z mydłem.
- Nie uruchamiać silnika, jeśli doszło do rozlania paliwa lub oleju na maszynę lub na ciało.
- Nie uruchamiać maszyny, jeśli silnik jest nieszczelny. Regularnie sprawdzać silnik pod kątem nieszczelności.
- Zachować ostrożność przy pracy z paliwem. Paliwo jest łatwopalne, a jego opary mogą wybuchnąć, powodując obrażenia lub śmierć.
- Nie wdychać oparów paliwa, ponieważ może to być groźne dla zdrowia lub życia. Zapewnić odpowiednią wentylację.
- Nie palić tytoniu w pobliżu paliwa lub silnika.
- Nie umieszczać gorących przedmiotów w pobliżu paliwa lub silnika.
- Nie dolewać paliwa podczas pracy silnika.
- Przed tankowaniem upewnić się, że silnik jest zimny.
- Przed tankowaniem pomału odkręcić korek zbiornika paliwa i ostrożnie zwolnić ciśnienie.
- Nie dolewać paliwa do silnika w zamkniętym pomieszczeniu. Niewystarczający przepływ powietrza może doprowadzić do obrażeń lub śmierci na skutek uduszenia lub zatrucia tlenkiem węgla.
- Dokładnie dokręcić korek zbiornika paliwa, aby nie dopuścić do pożaru.
- Przed uruchomieniem przesunąć produkt o co najmniej 3 m (10 stóp) od miejsca, w którym było dolewane paliwo.
- Nie wlewać zbyt dużo paliwa do zbiornika.
- Podczas ruchu produktu lub pojemnika na paliwo istnieje niebezpieczeństwo wycieku paliwa. Podjąć odpowiednie działania, aby nie dopuścić do wycieku.
- Nie umieszczać produktu lub pojemnika na paliwo w pobliżu otwartego płomienia, iskry lub płomienia zapłonowego. Należy upewnić się, że w miejscu przechowywania nie ma źródła otwartego płomienia.

- Do transportu i przechowywania paliwa należy używać wyłącznie zatwierdzonych zbiorników.
- Opróżnić zbiornika paliwa przed długim przechowywaniem. Przestrzegać lokalnych przepisów dotyczących utylizacji paliwa.
- Wyczyścić maszynę przed długim przechowywaniem.
- Odłączyć przewód świecy zapłonowej przed przechowywaniem produktu, aby uniemożliwić przypadkowe uruchomienie silnika.

Instrukcje bezpieczeństwa dotyczące konserwacji

- Odłączyć świecę przed przeprowadzeniem konserwacji produktu, która nie obejmuje regulacji gaźnika.
- Wszystkie czynności serwisowe muszą być wykonywane przez autoryzowanego dealera, za wyjątkiem zadań podanych w *KONSERWACJA na stronie 232*.
- Należy sprawdzić, czy łańcuch przestaje się obracać po zwolnieniu spustu przepustnicy.
- Należy zwracać uwagę, aby uchwyty były suche, czyste i niezabrudzone olejem ani mieszanką paliwową.
- Wszystkie korki i łączniki muszą być prawidłowo dokręcone.
- Wymiana komponentów na niezatwierdzone lub demontaż urządzeń zabezpieczających może spowodować uszkodzenie produktu. Może to również spowodować ewentualne obrażenia u operatora lub osób postronnych. Należy stosować wyłącznie zalecane akcesoria i części zamienne. Nie wolno wprowadzać modyfikacji produktu.
- Łańcuch piły powinien być ostry i czysty, aby zapewnić bezpieczną pracę z wysoką wydajnością.
- Należy przestrzegać instrukcji smarowania i wymiany akcesoriów.
- Sprawdzić produkt pod kątem uszkodzonych części. Przed dalszym użyciem produktu należy się upewnić, że uszkodzona osłona lub część działa prawidłowo. Należy sprawdzić produkt pod kątem występowania uszkodzonych lub nieprawidłowo dopasowanych części oraz części, które nie mogą poruszać się swobodnie. Należy sprawdzić występowanie innych warunków, które mogą mieć wpływ na działanie produktu. Sprawdzić, czy produkt został prawidłowo zmontowany. Osłona lub inna uszkodzona część musi zostać naprawiona lub wymieniona przez autoryzowanego dealera, chyba że zostało to inaczej określone w instrukcji obsługi.
- Gdy maszyna nie pracuje, należy ją przechowywać w suchym, wysokim lub zamkniętym miejscu, do którego dzieci nie mają dostępu.
- Podczas transportu lub przechowywania produktu do przemieszczenia produktu należy użyć osłony prowadnicy lub skrzynki.
- Nie wolno stosować olejów przepracowanych. Olej przepracowany może być niebezpieczny dla użytkownika i może spowodować uszkodzenie produktu i szkody w środowisku.

MONTAŻ



OSTRZEŻENIE: Przed zmontowaniem produktu należy zapoznać się z rozdziałem dotyczącym bezpieczeństwa.

Aby zmontować prowadnicę i piłę łańcuchową

1. Wymontować nasadkę świecy ze świecy zapłonowej podczas montażu, aby zapobiec przypadkowemu uruchomieniu. (Rys. 39) (Rys. 40)
2. Zdjąć nakrętki prowadnicy i wymontować osłonę sprzęgła. Zdejmij osłonę transportową (A). (Rys. 41)
3. Umieścić prowadnicę nad śrubami prowadnicy. Przesunąć prowadnicę w skrajne tylne położenie.
4. Założyć rękawice ochronne do pilarki.
5. Unieść łańcuch piły nad zębatkę napędową, a następnie włożyć go w rowek prowadnicy. Zacząć od górnej strony prowadnicy. (Rys. 42)
6. Upewnić się, że krawędzie ogniw tnących na górnej krawędzi prowadnicy są zwrócone do przodu.
7. Zamontować pokrywę sprzęgła i wprowadzić trzpień napinacza łańcucha do otworu w prowadnicy.
8. Upewnić się, że ogniwa prowadzące łańcucha piły są poprawnie dopasowane do zębatki napędowej. Należy się również upewnić, że łańcuch piły jest prawidłowo osadzony w rowku prowadnicy.
9. Dokręcić palcami nakrętki prowadnicy.
10. Napiąć łańcuch piły, obracając kluczem oczkowo-płaskim śrubę napinacza zgodnie z ruchem wskazówek zegara. Napinać łańcuch piły tak, aby przylegał ściśle do dolnej części prowadnicy i można go było łatwo obracać ręką. (Rys. 43) oraz (Rys. 44)
11. Podtrzymać końcówkę prowadnicy i dokręcić kluczem oczkowo-płaskim nakrętki śrub mocujących prowadnicę. (Rys. 45)
 - Napięcie łańcucha należy często sprawdzać po zamontowaniu nowego łańcucha do chwili dotarcia piły łańcuchowej.
 - Regularnie sprawdzać napięcie piły łańcuchowej. Prawidłowe napięcie piły łańcuchowej zapewnia dobrą wydajność cięcia i długi czas eksploatacji.

OBŚLUGA



OSTRZEŻENIE: Przed przystąpieniem do używania produktu zapoznać się z rozdziałem dotyczącym bezpieczeństwa.



UWAGA: Zawsze należy używać wysokiej jakości oleju do silników dwusuwowych chłodzonych powietrzem. Inne oleje mogą spowodować uszkodzenie produktu.

Używanie paliwa



UWAGA: Produkt jest wyposażony w silnik dwusuwowy. Używać mieszanki benzyny i oleju do silników dwusuwowych. Upewnić się, że mieszanka zawiera odpowiednią ilość oleju. Nieprawidłowa proporcja benzyny i oleju może spowodować uszkodzenie silnika.

Proporcja mieszanki paliwowej

Proporcja mieszanki paliwowej dla benzyny i oleju do silników dwusuwowych wynosi 50:1 (2%)

Benzyzna	Olej do silników dwusuwowych
1 gal. amerykański	77 ml (2,6 oz)
1 gal. bryt.	95 ml (3,2 oz)
5 l	100 ml (3,4 oz)

Mieszanie paliwa

1. Ustalić właściwe ilości benzyny i oleju silnikowego (proporcja mieszanki 50:1). Nie przygotowywać zbyt dużo mieszanki paliwowej. Przygotować maksymalnie ilość wystarczającą na 30 dni. Patrz *Proporcja mieszanki paliwowej na stronie 230*.
2. Dodać połowę ilości benzyny do czystego pojemnika na paliwo z zaworem zapobiegającym wyciekom.



UWAGA: Nie używać benzyny o stężeniu etanolu większym niż 10% (E10). Niezastosowanie się do tego zalecenia może spowodować uszkodzenie produktu.



UWAGA: Nie używać benzyny o liczbie oktanowej niższej niż 90 RON (87 AKI). Niezastosowanie się do tego zalecenia może spowodować uszkodzenie produktu.

Uwaga: Używać benzyny o wyższej liczbie oktanowej, jeśli maszyna często pracuje przy wysokiej prędkości obrotowej silnika.

3. Dodać do pojemnika na paliwo pełną ilość oleju do silników dwusuwowych.

4. Wstrząsnąć mieszankę, aby wymieszać składniki.
5. Dodać pozostałą ilość benzyny do pojemnika na paliwo.
6. Wstrząsnąć mieszankę, aby wymieszać składniki.
7. Napełnić zbiornik paliwa produktu mieszanką paliwową. Patrz *Proporcja mieszanki paliwowej na stronie 230*.

Napełnianie zbiornika paliwa

1. Upewnić się, że mieszanka paliwowa jest poprawna i że mieszanka paliwowa jest w pojemniku z paliwem z zaworem zapobiegającym wyciekom.
2. Jeśli w pojemniku znajduje się paliwo, usunąć niepożądane paliwo i poczekać, aż pojemnik wyschnie.
3. Sprawdzić, czy obszar wokół nakrętki zbiornika paliwa jest czysty.
4. Odkręcić korek zbiornika paliwa. (Rys. 46)
5. Wstrząsnąć pojemnik na paliwo przed dolaaniem mieszanki paliwowej do zbiornika paliwa.
6. Założyć z powrotem korek zbiornika paliwa.

Smarowanie piły łańcuchowej

Produkt jest wyposażony w automatyczny układ smarowania. Należy pamiętać, aby stosować wyłącznie odpowiedni olej do smarowania piły łańcuchowej i przestrzegać instrukcji.

1. Należy używać roślinnego lub standardowego oleju do smarowania piły łańcuchowej.
2. Należy się upewnić, że obszar w pobliżu korka zbiornika oleju piły łańcuchowej jest czysty.
3. Zdjąć korek zbiornika oleju łańcuchowego.
4. Napełnić zbiornik oleju do smarowania piły łańcuchowej zalecanym olejem do smarowania piły łańcuchowej.
5. Założyć z powrotem korek zbiornika oleju piły łańcuchowej.

Przed uruchomieniem silnika

- Sprawdzić maszynę pod kątem brakujących, uszkodzonych, poluzowanych lub zużytych części.
- Sprawdzić nakrętki i śruby.
- Sprawdzić filtr powietrza.
- Sprawdzić działanie blokady wyzwalania przepustnicy oraz manetki gazu.
- Sprawdzić działanie przełącznika wyłączenia.

- Sprawdzić urządzenie pod kątem wycieków paliwa.
- Sprawdzić ostrość i napięcie łańcucha piły.

Uruchamianie zimnego silnika

1. Przesunąć zabezpieczenie przed odbiciem do przodu, aby włączyć hamulec łańcucha. (Rys. 47)
2. Wyciągnąć dźwignię ssania i pociągnąć ją do góry.
3. 6 razy nacisnąć pompkę paliwową. (Rys. 48)
4. Przycisnąć korpus produktu do ziemi lewą ręką. Nie stawać na produkcie. Powoli ciągnąć rączkę linki rozrusznika do poczucia oporu. Następnie mocno pociągnąć rączkę. (Rys. 49)

Uwaga: Nie ciągnąć manetki gazu podczas uruchamiania silnika.

5. Ciągnąć rączkę linki rozrusznika, aż silnik zacznie pracować lub wykona kilka obrotów (maks. 3 pociągnięcia). Kiedy silnik zacznie pracować lub wykona kilka obrotów, popchnąć dźwignię ssania w dół. (Rys. 50)



UWAGA: Nie ciągnąć linki rozrusznika aż do oporu. Nie puszczać linki rozrusznika, kiedy jest w pełni wyciągnięta. Powoli zwolnić linkę rozrusznika. Nieprzestrzeganie tych instrukcji może spowodować uszkodzenie silnika.

6. Ciągnąć do czasu uruchomienia silnika. Odczekać 60 sekund po uruchomieniu przed pociągnięciem manetki gazu.
7. Przesunąć zabezpieczenie przed odbiciem w kierunku przedniego uchwytu, aby wyłączyć hamulec łańcucha.
8. Prawą ręką chwycić uchwyt tylny, a lewą przedni.
9. Rozpocząć używanie.

Uruchamianie rozgrzanego silnika

1. Przesunąć zabezpieczenie przed odbiciem do przodu, aby włączyć hamulec łańcucha. (Rys. 51)
2. Wyciągnąć dźwignię ssania i pociągnąć ją do góry.
3. 6 razy nacisnąć pompkę paliwową. (Rys. 52)
4. Nacisnąć dźwignię ssania. (Rys. 53)
5. Przycisnąć korpus produktu do ziemi lewą ręką. Nie stawać na produkcie. Powoli ciągnąć rączkę linki rozrusznika do poczucia oporu. Następnie mocno pociągnąć rączkę. (Rys. 54)



UWAGA: Nie ciągnąć linki rozrusznika aż do oporu. Nie puszczać linki rozrusznika, kiedy jest w pełni wyciągnięta. Powoli zwolnić linkę rozrusznika. Aby uniknąć uszkodzenia silnika, należy przestrzegać tych instrukcji.

Uwaga: Nie ciągnąć manetki gazu podczas uruchamiania silnika.

6. Ciągnąć rączkę linki rozrusznika, aż silnik zacznie pracować lub wykona kilka obrotów (maks. 3 pociągnięcia). Odczekać 60 sekund po uruchomieniu przed pociągnięciem manetki gazu.
7. Pociągnąć dźwignię hamulca do tyłu w kierunku uchwytu przedniego, aby wyłączyć hamulec piły łańcuchowej.
8. Prawą ręką chwycić uchwyt tylny, a lewą przedni.
9. Rozpocząć używanie.

Uruchamianie silnika, gdy paliwo jest zbyt gorące

Jeśli produkt się nie uruchamia, paliwo może być zbyt gorące.

Uwaga: Zawsze stosować nowe paliwo i skracać czas pracy podczas cieplej pogody.

1. Umieścić produkt w chłodnym miejscu z dala od bezpośredniego światła słonecznego.
2. Pozostawić produkt do ostygnięcia przynajmniej na 20 minut.
3. Naciskać pompkę paliwową przez 10-15 sekund.
4. Postępować zgodnie z procedurą uruchamiania zimnego silnika. Patrz *Uruchamianie zimnego silnika na stronie 231*.

Zatrzymywanie

- Nacisnąć wyłącznik, aby wyłączyć silnik.

Uwaga: Wyłącznik automatycznie powraca do położenia początkowego.

Używanie zderzaka

Zderzak zapobiega odbiciom i przytrzymuje drewno podczas cięcia. Zderzak jest obrotowym podparciem między korpusem silnika a prowadnicą.

1. Ustawić dolny koniec zderzaka na prawidłową szerokość zawiasów.
2. Nacisnąć lewą ręką uchwyt przedni, podnosząc uchwyt tylny prawą ręką.
3. Piłować do chwili uzyskania właściwej szerokości zawiasu.

Uwaga: Zawias musi mieć jednakową grubość.

4. Przepiłować więcej niż połowę średnicy, a następnie umieścić klin do wycinki w śladzie piły.

Ścinanie drzewa

1. Z drzewa należy usunąć brud, kamienie, luźną korę, gwoździe, kłamy i fragmenty drutu.

- Zrobić wycięcie na głębokość 1/3 średnicy drzewa prostopadle do kierunku opadania. (Rys. 55)
- Zrobić niższe poziome wycięcie. Pomoże to uniknąć zakleszczenia piły łańcuchowej lub prowadnicy, gdy zostanie wykonane drugie wycięcie.
- Wykonać rzaz ścinający (X) przynajmniej 50 mm (2 cale) powyżej poziomego wycięcia. Utrzymać rzaz ścinający równoległy do poziomego wycięcia, aby wystarczająca ilość drewna pozostała jako zawias. Nie przecinać zawiasu. Drewniany zawias zapobiega przekręceniu drzewa i upadkowi w niewłaściwym kierunku. (Rys. 56) oraz (Rys. 57)
- Gdy rzaz ścinający zbliża się do zawiasu, drzewo zaczyna padać. Należy się upewnić, że drzewo może upaść we właściwym kierunku i nie odbije do tyłu, zakleszczając piłę łańcuchową. Aby temu zapobiec należy zatrzymać cięcie zanim zostanie zakończony rzaz ścinający. Wykorzystać drewniane, plastikowe lub aluminiowe kliny w celu zapewnienia pełnej kontroli kierunku upadku drzewa i obalić drzewo wzdłuż odpowiedniej linii upadku. (Rys. 58)
- Gdy drzewo zacznie padać, wyjąć produkt z nacięcia. Zatrzymać silnik, opuścić produkt w dół i skorzystać z zaplanowanej drogi ucieczki. Należy uważać na spadające z góry gałęzie i kontrolować grunt pod nogami. (Rys. 59)

- Małe gałęzie należy obcinać jednym cięciem. (Rys. 60)
- Obcinać naprężone gałęzie od dołu do góry, aby zapobiec zakleszczeniu piły łańcuchowej lub prowadnicy.

Przecinanie dłużycy na kłody



UWAGA: Nie dopuszczać do zetknięcia piły łańcuchowej z podłożem.

- Jeśli dłużycy ma podparcie na całej swojej długości, należy ciąć od góry dłużycy (górne przecinanie dłużycy). (Rys. 61)
- Jeśli dłużycy ma podparcie na jednym końcu, należy naciąć 1/3 średnicy od dołu dłużycy (dolne przecinanie dłużycy).
- Jeśli dłużycy ma podparcie na dwóch końcach, naciąć 1/3 średnicy od góry. Zakończyć nacięcie za pomocą dolnego przecinania do 2/3 dłużycy, aby dojść do pierwszego cięcia. (Rys. 62)
- Jeśli przecinanie dłużycy odbywa się na zboczu, zawsze należy pozostawać po górnej stronie dłużycy. Dłużycę przecinać, zachowując pełną kontrolę nad produktem. Następnie zwolnić nacisk cięcia w pobliżu końca nacięcia, mocno trzymając uchwyt tylny i uchwyt przedni. (Rys. 63)

Okrzesywanie drzewa

- Użyć większych gałęzi do utrzymania dłużycy nad ziemią.

KONSERWACJA



OSTRZEŻENIE: Przed czyszczeniem, naprawą lub konserwacją produktu zapoznać się z rozdziałem dotyczącym bezpieczeństwa.

Plan konserwacji

Należy przestrzegać planu konserwacji. Interwały są obliczane dla codziennego używania maszyny. Interwały są inne, jeśli maszyna nie jest używana każdego dnia. Przeprowadzać wyłącznie te prace konserwacyjne, które są opisane w tej instrukcji. W sprawie prac konserwacyjnych, których nie opisano w niniejszej instrukcji, skontaktować się z autoryzowanym centrum serwisowym.

Przegląd codzienny

- Oczyszczyć powierzchnie zewnętrzne.
- Upewnić się, że blokada wyzwalania i wyzwalacz działają prawidłowo.
- Oczyszczyć hamulec piły łańcuchowej i upewnić się, że działa prawidłowo.
- Sprawdzić wychwytnik piły łańcuchowej pod kątem uszkodzeń. Wymienić wychwytnik, jeśli jest uszkodzony.

- Codziennie obracać prowadnicę, aby zapewnić bardziej równomierne zużycie.
- Sprawdzić, czy otwór smarujący znajdujący się w prowadnicy nie jest zapchany.
- Usunąć trociny i inne niepożądane materiały spod pokrywy zębątki.
- Oczyszczyć rowek prowadnicy. (Rys. 64)
- Upewnić się, że prowadnica i piła łańcuchowa otrzymują wystarczającą ilość oleju.
- Sprawdzić łańcuch tnący:
 - pod kątem widocznych pęknięć główek nitów i ogniw,
 - pod kątem nadmiernego zużycia główek nitów i ogniw,
 - pod kątem prawidłowego naciągu,
 - pod kątem zadziórów na ogniwach łańcucha.

W razie konieczności wymienić łańcuch piły.

- Naostrzyć łańcuch piły. Patrz *Ostrzenie łańcucha piły na stronie 234*.
- Sprawdzić, czy zębątką napędową nie jest nadmiernie zużyta, w razie potrzeby wymienić. (Rys. 65)

- Oczyścić wlot powietrza obudowy silnika.
- Upewnić się, że wszystkie nakrętki i śruby są dokręcone.
- Upewnić się, że wyłącznik działa prawidłowo.

Przegląd cotygodniowy

- Upewnić się, że układ chłodzenia działa prawidłowo.
- Upewnić się, czy rozrusznik, linka rozrusznika oraz sprężyna powrotna działają poprawnie.
- Sprawdzić, czy elementy antywibracyjne nie są uszkodzone.

(Rys. 66)

- Wyrównać płaskim pilnikiem brzegi prowadnicy, aby zlikwidować zadziory.
- Oczyścić lub wymienić chwytacz iskier.

(Rys. 67)

- Oczyścić zewnętrzne powierzchnie gaźnika i przylegających obszarów.
- Czyszczenie filtra powietrza. Zamontować nowy filtr powietrza, jeśli jest uszkodzony lub bardzo brudny. Więcej informacji, patrz *Czyszczenie filtra powietrza na stronie 233*.

Przegląd miesięczny

- Sprawdzić stan taśmy hamulca piły łańcuchowej pod kątem zużycia. Wymienić ją, jeżeli w najbardziej zużytych miejscach jej grubość wynosi 0,6 mm.

(Rys. 68)

- Sprawdzić stan zużycia tarczy, bębna i sprężyny sprzęgła.
- Wyczyścić świecę zapłonową. Upewnić się, że odstęp między elektrodami jest prawidłowy.

(Rys. 69)

- Oczyścić zewnętrzne powierzchnie gaźnika i przylegających obszarów.
- Sprawdzić stan filtra paliwa i przewodu paliwowego. W razie potrzeby należy dokonać wymiany.
- Opróżnić zbiornik paliwa.
- Opróżnić zbiornik oleju.
- Sprawdzić stan wszystkich przewodów i połączeń.

Konserwacja coroczna

- Sprawdzić świecę zapłonową.
- Oczyścić zewnętrzne powierzchnie gaźnika i przylegających obszarów.
- Oczyścić system chłodzący.
- Sprawdzić siatkę iskrochronu.
- Sprawdzić filtr paliwa.
- Sprawdzić przewód paliwowy pod kątem uszkodzeń.
- Sprawdzić stan wszystkich przewodów i połączeń.

Konserwacja sporadyczna

- Po 50 godzinach pracy autoryzowane centrum serwisowe powinno naprawić lub wymienić tłumik.

- Konserwację świecy zapłonowej należy przeprowadzić, gdy:
 - poziom mocy silnika jest niski,
 - trudno jest uruchomić silnik,
 - silnik nie działa prawidłowo przy obrotach biegu jałowego.
- Smarowanie piły łańcuchowej należy sprawdzać przy każdym tankowaniu. Patrz *Sprawdzanie smarowania piły łańcuchowej na stronie 234*.

Regulacja obrotów biegu jałowego

Przed regulacją obrotów biegu jałowego sprawdzić, czy filtr powietrza jest czysty i przymocować pokrywę filtra powietrza.

1. Obracać śrubę regulacji obrotów biegu jałowego, która jest oznaczona znakiem T, w prawo do chwili, gdy łańcuch piły zacznie się obracać.
2. Obracać śrubę regulacji obrotów biegu jałowego, która jest oznaczona znakiem T, w lewo do chwili, gdy łańcuch piły się zatrzyma.
3. Wartość obrotów biegu jałowego powinna być niższa od prędkości obrotowej, przy której łańcuch piły zaczyna pracować. Obroty jałowe ustawione są prawidłowo, jeżeli silnik pracuje płynnie w każdym położeniu.

Konserwacja chwytacza iskier

- Użyć szczotki drucianej do czyszczenia chwytacza iskier. (Rys. 70)

Konserwacja świecy zapłonowej



UWAGA: Używać zalecanej świecy zapłonowej. Upewnić się, że część zamienna jest taka sama, jak część dostarczona przez producenta. Nieprawidłowa świeca zapłonowa może doprowadzić do uszkodzenia maszyny.

1. Jeśli produkt trudno uruchomić lub obsługiwać, sprawdzić świecę zapłonową pod kątem niepożądanych materiałów. Aby zmniejszyć ryzyko przedostawania się niepożądanych materiałów na elektrody świecy zapłonowej:
 - a) dopilnować, by obroty biegu jałowego zostały prawidłowo wyregulowane.
 - b) dopilnować, aby używana była odpowiednia mieszanka paliwowa.
 - c) zadbać o czystość filtra powietrza.
2. Wyczyścić świecę zapłonową, jeśli jest brudna. Upewnić się, że odstęp między elektrodami jest prawidłowy. (Rys. 71)
3. W razie potrzeby wymienić świecę zapłonową.

Czyszczenie filtra powietrza

1. Zdjąć pokrywę filtra powietrza i wyjąć filtr powietrza. (Rys. 72)
2. Oczyszczyć filtr powietrza ciepłą wodą z mydłem. Przed zamontowaniem filtra poczekać na jego wyschnięcie.
3. Wymienić filtr powietrza, jeśli jest zbyt brudny, aby całkowicie go wyczyścić. Zawsze wymieniać uszkodzony filtr powietrza.

Ostrzenie łańcucha piły

Przecinarka

Tnąca część łańcucha pilarki to ogniwo tnące, które składa się z zęba tnącego (A) i ogranicznika głębokości (B). Różnica wysokości ogniwa tnącego i ogranicznika określa głębokość cięcia (C).

(Rys. 73)

Podczas ostrzenia zęba tnącego należy zwracać uwagę na cztery wymiary.

- Kąt zaostżenia.

(Rys. 74)

- Kąt ostrza.

(Rys. 75)

- Kąt pozycji pilnika (kąt czołowy)

(Rys. 76)

- Średnica pilnika okrągłego

(Rys. 77)

Ostrzenie zębów tnących

Użyć pilnika okrągłego i prowadnika pilnika, aby naostrzyć ząb tnący. Informacje o zalecanym rozmiarze pilnika i prowadnika dla łańcucha piły zainstalowanego w posiadanym produkcie, patrz *Pilnik piły łańcuchowej i kombinacje łańcucha na stronie 237*.

(Rys. 78)

1. Upewnić się, że łańcuch piły jest prawidłowo napięty. Nieprawidłowe napięcie piły łańcuchowej powoduje przesuwanie łańcucha na jedną stronę i nieprawidłowe naostrzenie.
2. Użyć pilnika do wszystkich zębów na jednej stronie. Następnie użyć pilnika do zębów tnących od wewnętrznej powierzchni i zmniejszyć docisk w odwrotnym kierunku.
3. Obrócić produkt na przeciwną stronę i użyć pilnika do zębów.
4. Za pomocą pilnika należy zachować taką samą długość wszystkich zębów. Wymienić zużyty łańcuch piły, gdy długość zębów tnących spadnie do 4 mm (5/32 cala).

Regulacja ustawienia szablonu do ograniczników głębokości

Naostrzyć zęby tnące przed ustaleniem szczeliny łańcucha. Patrz *Ostrzenie zębów tnących na stronie 234*. Wskutek ostrzenia zęba tnącego (A) zmniejsza się szczelina łańcucha (C). Aby łańcuch mógł zachować

maksymalną zdolność cięcia, konieczne jest obniżenie ogranicznika głębokości (B) do zalecanego poziomu. Patrz *Pilnik piły łańcuchowej i kombinacje łańcucha na stronie 237*, aby znaleźć informacje na temat prawidłowego wymiaru szczeliny łańcucha dla odpowiedniego łańcucha.

(Rys. 79)

(Rys. 80)

Uwaga: Wychodzimy przy tym z założenia, że zęby tnące nie zostały na długość spilowane więcej niż potrzeba.

Aby wyregulować ogranicznik głębokości, należy użyć płaskiego pilnika i szablonu do ograniczników głębokości.

1. Umieścić szablon nad łańcuchem. Szczegółowe informacje dotyczące stosowania szablonu znajdują się na opakowaniu.
2. Spiluj nadmiar wystającej części ogranicznika za pomocą pilnika płaskiego. Szczelina łańcucha jest prawidłowa, gdy podczas wykonywania ruchów pilnikiem w szablonie nie występuje opór.

Naprzężanie łańcucha piły

Uwaga: Sprawdzać często naprężenie nowego łańcucha piły podczas okresu docierania.

1. Poluzować nakrętki prowadnicy, które utrzymują pokrywę zębatki. Użyć klucza płasko-oczkowego. (Rys. 81)
2. Ręcznie dokręcić nakrętki prowadnicy do oporu.
3. Podnieść górę prowadnicy i wysunąć łańcuch piły, dokręcając śrubę regulującą napięcie piły łańcuchowej. Użyć klucza płasko-oczkowego. Napiąć łańcuch piły tak, aby nie zwisał z dolnej części prowadnicy. (Rys. 82)
4. Dokręcić nakrętki prowadnicy za pomocą klucza oczkowo-płaskiego jednocześnie unosząc wierzchołek prowadnicy. (Rys. 83)
5. Sprawdzić, czy można łatwo przesunąć ręką łańcuch po prowadnicy i czy ściśle przylega. (Rys. 84)

Smarowanie osprzętu tnącego

Sprawdzanie smarowania piły łańcuchowej

Smarowanie łańcucha należy sprawdzać przy każdym tankowaniu.

1. Uruchomić maszynę i pozwolić jej pracować przy 3/4 prędkości obrotowej. Skierować końcówkę prowadnicy na jasną powierzchnię w odległości ok. 20 cm (8 cali).
2. Po 1 minucie pracy na jasnej powierzchni pojawi się linia oleju.
3. Jeśli po upływie 1 minuty nie widać linii oleju, oczyścić kanał oleju w prowadnicy. Oczyszczyć rowek

- w krawędzi prowadnicy. Upewnić się, że końcówka zębata prowadnicy obraca się swobodnie i że nie ma zatorów w otworze smarowniczym. Oczyszczyć i nasmarować końcówkę prowadnicy.
4. Uruchomić maszynę i pozwolić jej pracować przy 3/4 prędkości obrotowej. Skierować końcówkę prowadnicy na jasną powierzchnię w odległości ok. 20 cm (8 cali).
 5. Po 1 minucie pracy na jasnej powierzchni pojawi się linia oleju.
 6. Jeśli po upływie 1 minuty nie widać linii oleju, skontaktuj się z autoryzowanym dealermem.

TRANSPORT

- Przed transportem opróżnić zbiornik paliwa i zbiornik oleju do smarowania łańcucha. Zużyte płyny należy prawidłowo zutylizować.
- Umieścić pokrywę prowadnicy na osprzęcie tnącym na czas transportu. Zapobiegnie to przypadkowemu dotknięciu ostrego łańcucha. Nawet niedziałająca piła łańcuchowa może spowodować obrażenia u operatora lub innych osób, które dotkną ostrego łańcucha piły.
- Przed transportem zdjąć fajkę świecy zapłonowej ze świecy zapłonowej i włączyć hamulec piły łańcuchowej.
- Upewnić się, że produkt nie może się poruszać podczas transportu.

PRZECHOWYWANIE

- Produkt należy zawsze przechowywać w bezpiecznym miejscu, gdy nie jest używany. Wycieki i opary z produktu mogą się zetknąć z iskrami, otwartym ogniem z urządzeń elektrycznych, kosiarek elektrycznych, przełączników/przełączników, kotłów itd.
- Paliwo należy zawsze przechowywać w atestowanym pojemniku.
- Gdy produkt będzie przechowywany przez dłuższy czas, należy opróżnić zbiorniki paliwa i oleju do smarowania piły łańcuchowej. Zużyte płyny należy prawidłowo zutylizować.
- Podczas przechowywania należy założyć na prowadnicę osłonę prowadnicy. Zapobiegnie to przypadkowemu dotknięciu ostrego łańcucha. Nawet niedziałająca piła łańcuchowa może spowodować poważne obrażenia u operatora lub innych osób, które dotkną ostrego łańcucha piły.
- Przed przechowywaniem zdjąć fajkę świecy zapłonowej i włączyć hamulec piły łańcuchowej.

DANE TECHNICZNE

	Jednostka	130 (H13038HV)	135 Mark II (H13038HV)
Typ silnika			
Pojemność skokowa cylindra	cm ³	38	38
Świeca zapłonowa	—	NGK BPMR 7A	NGK BPMR 7A
Odstęp między elektrodami	mm (cale)	0,5 (0,02)	0,5 (0,02)
Pojemność zbiornika paliwa	cm ³	350	350
Jałowe obroty	min ⁻¹	2800-3200	2800-3200
Moc wyjściowa przy 9000 min ⁻¹	kW	1,5	1,6
Okres trwałości emisji	godz.	125	125
Dane dotyczące hałasu i drgań			

	Jednostka	130 (H13038HV)	135 Mark II (H13038HV)
Równoważny poziom drgań (ahv, eq), lewy uchwyt ⁷⁶	m/s ²	3,72	3,72
Równoważny poziom drgań (ahv, eq), prawy uchwyt ⁷⁷	m/s ²	5,5	5,5
Poziom mocy akustycznej, gwarantowany (L _{WA}) ⁷⁸	dB (A)	116	116
Zmierzony poziom mocy akustycznej ⁷⁹	dB (A)	114	114
Poziom ciśnienia akustycznego na poziomie uszu operatora ⁸⁰	dB (A)	102	102
Wymiary produktu			
Ciężar (bez osprzętu tnącego)	kg	4,68 (10,3)	4,68 (10,3)
Pojemność zbiornika oleju	cm ³	260	260
Układ zasilania/smarowania			
Wydajność pompy oleju przy 9000 ⁻¹	ml/min	9	9
Typ pompy olejowej	—	Automatyczne	Automatyczne
Łańcuch piły i prowadnica			
Standardowa długość prowadnicy	cm (cale)	35-40 (14-16)	35-40 (14-16)
Zalecana długość prowadnicy	cm (cale)	35-40 (14-16)	35-40 (14-16)
Użyteczna długość cięcia	cm (cale)	33-38 (13-15)	33-38 (13-15)
Maksymalna prędkość łańcucha piły	m/s	22,3	22,3
Podziałka piły łańcuchowej	mm (cale)	9,52 (3/8)	9,52 (3/8)
Grubość ogniw prowadzących (płytki kontrolna)	mm (cale)	1,3 (0,050)	1,3 (0,050)
Typ zębaki napędowej	—	Ostroga	Ostroga
Liczba zębów zębaki napędowej	—	6	6

⁷⁶ Równoważny poziom drgań obliczany jest jako czasowo wyważona energia całkowita dla poziomów drgań w różnych warunkach pracy. Odnotowane dane dotyczące równoważnego poziomu wibracji wykazują typowe rozproszenie statystyczne (odchylenie standardowe) w wysokości 1,5 m/s².

⁷⁷ Równoważny poziom drgań obliczany jest jako czasowo wyważona energia całkowita dla poziomów drgań w różnych warunkach pracy. Odnotowane dane dotyczące równoważnego poziomu wibracji wykazują typowe rozproszenie statystyczne (odchylenie standardowe) w wysokości 1,5 m/s².

⁷⁸ Emisja hałasu do otoczenia mierzona jako moc akustyczna (L_{WA}).

⁷⁹ Emisja hałasu do otoczenia mierzona jako moc akustyczna (L_{WA}).

⁸⁰ Równoważny poziom ciśnienia akustycznego obliczany jest jako całkowita, czasowo wyważona energia dla różnych poziomów dźwięku w różnych warunkach pracy. Typowe rozproszenie statystyczne dla równoważnego poziomu ciśnienia akustycznego to standardowe odchylenie o wartości 2,5 dB (A).

AKCESORIA

Kombinacje prowadnicy i łańcucha

Prowadnica				Łańcuch	
Długość	Podziałka	Grubość ogniw prowadzącego	Maks. ilość zębów na zębatce	Typ	Długość, ogniw prowadzącego (szt.)
14 cali	3/8 cala	0,050 cala	7T	Husqvarna H37	52
16 cali				Husqvarna S93G	56

Pilnik piły łańcuchowej i kombinacje łańcucha

Typ łańcucha	Rozmiar pilnika okrągłego	Kąt bocznej płyty	Kąt górnej płyty	Kąt prowadzenia pilnika	Ustawienie szablonu głębokości	Nr kat. ogranicznika głębokości	Nr kat. prowadnika pilnika
H37, S93G	5/32 cala 4,0 mm	80°	30°	0°	0,025/0,65	5056981-03	5052437-01

TREŚĆ DEKLARACJI ZGODNOŚCI Z NORMAMI WE

Firma Husqvarna AB, SE 561 82 Husqvarna, SZWECJA, deklaruje z pełną odpowiedzialnością, że przedstawiony produkt:

Opis	Pilarka benzynowa
Marka	Husqvarna
Platforma/typ/model	Platforma H13038HV reprezentująca modele 130, 135 Mark II
Partia produkcyjna	Począwszy od numerów seryjnych z roku 2018

spełnia wszystkie wymogi określone w odpowiednich dyrektywach i przepisach UE:

Dyrektywa/przepis	Opis
2006/42/WE	„maszynowa”
2014/30/UE	„dotycząca zgodności elektromagnetycznej”

Dyrektywa/przepis	Opis
2000/14/WE	„dotycząca emisji hałasu”
2011/65/UE	dotycząca „ograniczenia użycia określonych substancji niebezpiecznych”

Odpowiednie zharmonizowane normy oraz parametry techniczne: EN ISO 12100, EN ISO 11681-1, CISPR 12, ISO 14982

Zgodnie z dyrektywą 2000/14/WE, Aneks V, deklarowane wartości dźwięku są podane w rozdziale „Dane techniczne” niniejszej instrukcji i w podpisanej deklaracji zgodności UE.

TÜV Rheinland LGA Products GmbH, jednostka notyfikowana dla maszyn (notyfikowana pod numerem 0197), Tillystraße 2 - 90431 Nürnberg, Germany, przeprowadziła badanie typu WE zgodnie z dyrektywą 2006/42/WE, artykuł 12, punkt 3b.

Certyfikat badania typu, zgodnie z załącznikiem IX, dołączony na podpisanej Deklaracji zgodności, dotyczy

wszystkich miejsc produkcji oraz krajów pochodzenia,
informacje o których umieszczono na produktach.

Niniejsza piła łańcuchowa jest zgodna z przykładowym
urządzeniem, które przeszło badania typu WE.

Obsah

ÚVOD.....	239	PREPRAVA.....	249
BEZPEČNOSŤ.....	240	SKLADOVANIE.....	249
MONTÁŽ.....	244	TECHNICKÉ ÚDAJE.....	250
PREVÁDZKA.....	244	PRÍSLUŠENSTVO.....	251
ÚDRŽBA.....	247	OBSAH VYHLÁSENIA O ZHODE ES.....	251

ÚVOD

Návod na obsluhu

Pôvodný jazyk tohto návodu na obsluhu je angličtina. Návody na obsluhu v iných jazykoch sú jeho preložené verzie z angličtiny.

Prehľad

(Obr. 1)

- | | | |
|---|------------|---|
| 1. Kryt valca | | Použite schválenú ochranu hlavy, schválené chrániče sluchu a chrániče očí |
| 2. Nastrekovací balónik | (Obr. 4) | |
| 3. Štítok s číslom výrobku a výrobným číslom | (Obr. 5) | Používajte schválené ochranné rukavice |
| 4. Typový a výstražný štítok | | Tento výrobok je v súlade s príslušnými smernicami EÚ |
| 5. Vypínač | (Obr. 6) | |
| 6. Zadná rukoväť | (Obr. 7) | Hladina hlučnosti |
| 7. Palivová nádrž | | Brzda reťaze, neaktivovaná (vľavo). Brzda reťaze, aktivovaná (vpravo) |
| 8. Rukoväť štartovacieho lanka | (Obr. 8) | |
| 9. Kryt štartéra | (Obr. 9) | Ovládanie sýtiča |
| 10. Označenie smeru rezania | (Obr. 10) | Nastrekovací balónik |
| 11. Nádrž na olej na mazanie reťaze | (Obr. 11) | Doplnenie nádrže |
| 12. Predná rukoväť | (Obr. 12) | Plnenie oleja na mazanie reťaze |
| 13. Brzda reťaze a predný chránič ruky | (Obr. 13) | Tento výrobok je v súlade s príslušnými smernicami EAC |
| 14. Tlmič výfuku | (Obr. 14) | Tento výrobok je v súlade s príslušnými ukrajinskými smernicami |
| 15. Reťaz píly | (Obr. 15) | Tento výrobok je v súlade s príslušnými kórejskými smernicami |
| 16. Ozubené koliesko lišty | (Obr. 16) | Tento výrobok je v súlade s príslušnými japonskými smernicami |
| 17. Vodiaca lišta | (Obr. 17) | Hladina hluku |
| 18. Skrutka na napínanie reťaze (130) | (Obr. 18) | Výrobok držte pevne oboma rukami |
| 19. Skrutka na napínanie reťaze (135 Mark II) | (Obr. 19) | Pri používaní ho nedržte jednou rukou |
| 20. Opierka rezania | | Vyhýbajte sa kontaktu so špičkou vodiacej lišty |
| 21. Zachytávač reťaze | (Obr. 20) | |
| 22. Kryt spojky | (Obr. 21) | Dávajte pozor na spätný náraz |
| 23. Ochranný kryt pravej ruky | | |
| 24. Ovládač škrtiacej klapky | | |
| 25. Poistka páčky plynu | | |
| 26. Kryt vodiacej lišty | | |
| 27. Kombinovaný nástroj | | |
| 28. Návod na obsluhu | | |

Symbole na výrobku

(Obr. 2) Výstraha

(Obr. 3) Prečítajte si tento návod

(Obr. 22) Tento výrobok je v súlade so smernicami o elektromagnetickej kompatibilite platnými v Austrálii a na Novom Zélande.

Poznámka: Ostatné symboly/emblémy na výrobku odkazujú na požiadavky certifikácie pre ďalšie komerčné oblasti.

Návrh 65

(Obr. 23)

EU V



VÝSTRAHA: Nepovolená manipulácia s motorom ruší platnosť typového schválenia tohto výrobku pre EÚ.

Zodpovednosť za výrobok

V súlade s právnymi predpismi upravujúcimi zodpovednosť za výrobok nenesieme zodpovednosť za škody spôsobené naším výrobkom v dôsledku:

- nesprávne vykonanej opravy výrobku,
- opravy výrobku, pri ktorej neboli použité diely od výrobcu alebo diely schválené výrobcom,
- používania príslušenstva od iného výrobcu alebo príslušenstva, ktoré nie je schválené výrobcom,
- opravy výrobku, ktorá nebola vykonaná v schválenom servisnom stredisku alebo schválenými kompetentnými osobami,

BEZPEČNOSŤ

Bezpečnostné definície

Nižšie uvedené definície označujú úroveň závažnosti pre každé signálne slovo.



VÝSTRAHA: Poranenie osôb.



VAROVANIE: Poškodenie výrobku.

Poznámka: Táto informácia napomáha k jednoduchšiemu používaniu výrobku.

Všeobecné bezpečnostné pokyny

- Výrobok používajte správne. Nesprávne použitie môže mať za následok poranenie alebo smrť. Výrobok používajte len na účely uvedené v tomto návode. Výrobok nepoužívajte na iné účely.
- Prečítajte, porozumejte a dodržiavajte pokyny uvedené v tomto návode. Dodržiavajte bezpečnostné symboly a bezpečnostné pokyny. Ak používateľ nebude dodržiavať uvedené pokyny a symboly, môže dôjsť k poraneniu, poškodeniu alebo smrti.
- Tento návod nezahadzujte. Tieto pokyny poskytujú všetky potrebné kroky na montáž a prevádzku výrobku a pomôžu vám udržať výrobok v dobrom stave. Tieto pokyny poskytujú všetky potrebné kroky na správnu inštaláciu doplnkov a príslušenstva. Používajte len schválené doplnky a príslušenstvo.
- Ak sa výrobok poškodí, nepoužívajte ho. Dodržiavajte plán údržby. Vykonávajte len údržbu, ku ktorej nájdete pokyny v tomto návode. Všetky

ostatné práce týkajúce sa údržby musí vykonať schválené servisné stredisko.

- Tento návod na obsluhu nezahŕňa všetky situácie, s ktorými sa môžete počas používania tohto výrobku stretnúť. Pri jeho používaní zachovávajte opatrnosť a riadte sa zdravým úsudkom. Výrobok nepoužívajte ani na ňom nevykonávajte žiadnu údržbu, ak s istotou neviete, o aký problém sa jedná. Kontaktujte produktového odborníka, predajcu, servisného zástupcu alebo schválené servisné stredisko a požiadajte o informácie.
- Pred montážou výrobku, jeho uskladnením alebo vykonávaním údržby odpojte kábel zapalovacej sviečky.
- Výrobok nepoužívajte, ak sa zmenili jeho pôvodné technické špecifikácie. Nevymieňajte diely výrobku bez schválenia výrobcu. Používajte len diely schválené výrobcom. Nesprávna údržba môže mať za následok poranenie alebo smrť.
- Nevdychujte výpary z motora. Dlhodobé vdychovanie výfukových plynov motora, olejovej hmly z reťaze a pilín môže predstavovať zdravotné riziko.
- Neštartujte výrobok vo vnútri ani v blízkosti horľavého materiálu. Výfukové plyny sú horúce a môžu obsahovať iskry, ktoré môžu spôsobiť požiar. Bez dostatočného prúdenia vzduchu môže dôjsť k zraneniu alebo usmrteniu spôsobeným udusením alebo oxidom uhoľnatým.
- Tento výrobok počas prevádzky vytvára elektromagnetické pole. Elektromagnetické pole môže poškodiť implantované lekárske prístroje. Pred používaním tohto výrobku sa poraďte so svojim lekárom a výrobcom implantovaného lekárskeho prístroja.
- Nedovoľte, aby výrobok používali deti.

- Nedovoľte, aby výrobok používali osoby, ktoré nepoznajú potrebné pokyny.
- Osoby so zníženými fyzickými alebo duševnými schopnosťami musia byť počas používania výrobku vždy pod dozorom. Vyžaduje sa neustála prítomnosť zodpovednej dospeljej osoby.
- Výrobok bezpečne uzamknite na mieste, ku ktorému nemajú prístup deti a nepovolené osoby.
- Počas používania sa môžu od výrobku odraziť predmety a spôsobiť poranenia. Dodržiavajte bezpečnostné pokyny, aby ste znížili riziko poranenia alebo smrti.
- Nevzdávajte sa od výrobku, keď je zapnutý motor. Zastavte motor a uistite sa, že sa reťaz neotáča.
- V prípade nehody zodpovedá za následky používateľ.
- Pred používaním výrobku sa uistite, že nie sú poškodené žiadne diely.
- Dodržiavajte národné alebo miestne právne predpisy. V určitých podmienkach môžu zakazovať alebo obmedzovať prevádzku výrobku.
- Výrobok nepoužívajte v prípade únavy, choroby alebo pod vplyvom alkoholu či liekov.
- Výrobok nepoužívajte, ak v prípade nehody nie je k dispozícii pomoc. Skôr ako výrobok naštartujete, informujte ostatných, že sa ho chystáte používať.
- Pri otáčaní sa s výrobkom sa najskôr uistite, že sa v bezpečnostnej zóne nenachádzajú žiadne osoby ani zvieratá.
- Skôr ako začnete, odstráňte z pracovnej zóny všetok neželaný materiál. Ak reťaz narazí na predmet, ten sa môže odraziť a spôsobiť poranenie alebo poškodenie. Neželaný materiál sa môže zachytiť do reťaze a spôsobiť poškodenie.
- Výrobok nepoužívajte v nepriaznivom počasí, akým je napríklad hmla, dážď, silný vietor, počasie s rizikom zásahu bleskom alebo iné nepriaznivé poveternostné podmienky. Nepriaznivé počasie môže mať za následok vznik nebezpečných podmienok, akými sú napr. klzké povrchy.
- Uistite sa, že sa môžete voľne pohybovať a pracovať v stabilnej polohe.
- Uistite sa, že počas používania výrobku nemôžete spadnúť. Počas obsluhy výrobku sa nenakláňajte.
- Výrobok vždy držte oboma rukami. Prednú rukoväť držte ľavou rukou a zadnú rukoväť držte pravou rukou. Výrobok držte na pravej strane tela.
- Ak je ovládanie sýtiča počas naštartovania motora v polohe sýtiča, reťaz sa začne otáčať.
- Pred premiestňovaním výrobok vypnite.
- Nekladte výrobok na zem, keď je zapnutý motor.
- Pred odstránením neželaného materiálu z výrobku zastavte motor. Skôr ako vy alebo iná osoba začnete s odstraňovaním nakoseného materiálu, počkajte, kým sa reťaz zastaví.
- Tento výrobok nepoužívajte na strome. Použitie výrobku na strome môže mať za následok osobné poranenie.

Bezpečnostné pokyny pre prevádzku

- Nepretržitá alebo pravidelná prevádzka výrobku môže viesť k syndrómu bielych prstov alebo k podobným zdravotným problémom vyplývajúcim z vibrácií. Ak výrobok používate nepretržite alebo pravidelne, dbajte na starostlivosť o stav vašich rúk a prstov. Ak budú vaše ruky alebo prsty vykazovať známky straty sfarbenia, začnú vás bolieť, chvieť sa alebo vám znečitlivejú, prestaňte pracovať a okamžite kontaktujte svojho lekára.
- Pred používaním sa uistite, že je výrobok plne zmontovaný.
- Počas používania sa môžu od výrobku odraziť predmety a spôsobiť poranenie očí. Počas používania výrobku vždy používajte schválené chrániče očí.
- Počas používania dávajte pozor, aby sa do blízkosti výrobku bez vášho vedomia nedostalo dieťa.
- Výrobok nepoužívajte, ak sa v pracovnej zóne nachádzajú iné osoby. Ak sa do pracovnej zóny dostane osoba, výrobok vypnite.

(Obr. 24)

- Uistite sa, že výrobok máte vždy úplne pod kontrolou.
- Výrobok sa musí pri používaní držať obidvoma rukami. Pri používaní výrobok nedržte jednou rukou. Používanie jednou rukou môže zapríčiniť vážne poranenie obsluhujúceho pracovníka, pracovníkov a okolostojacich osôb.
- Prednú rukoväť držte ľavou rukou a zadnú rukoväť držte pravou rukou. Výrobok držte na pravej strane tela.

(Obr. 25)

(Obr. 26)

- Pri štartovaní výrobku musí byť aktivovaná brzda reťaze, aby sa znížilo riziko, že sa vás reťaz pily počas štartovania dotkne.

(Obr. 27)

- Zabráňte spätnému nárazu, odskočeniu, zošmyknutiu a pádu, ktoré môžu viesť k vážnemu poraneniu.
- Dodržiavajte všetky bezpečnostné pokyny a zabráňte spätnému nárazu a ďalším silám, ktoré môžu viesť k vážnemu poraneniu.
- Pravidelne upravujte napnutie reťaze pily, aby reťaz pily nebola uvoľnená. Uvoľnená reťaz pily môže spadnúť a spôsobiť vážne zranenie alebo smrť.
- Stromy nerezte nesprávnym spôsobom. Hrozí poranenie osôb, zasiahnutie vedení alebo poškodenie majetku.
- Obsluhujúca osoba by sa mala zdržiavať na vyvýšenej strane terénu, pretože strom sa po zrezaní pravdepodobne skotúľa alebo zosunie dole kopcom.

(Obr. 28)

- Pred začiatkom pílenia si naplánujte a vyčistite únikovú cestu. Úniková cesta by mala viesť dozadu a diagonálne za predpokladaný okruh, v ktorom môže strom spadnúť.

(Obr. 29)

- Pred presunutím výrobku medzi stromy vždy zastavte motor.
- Pevne sa zaprite nohami do zeme a zaujmite stabilný postoj s rovnomerným rozložením hmotnosti.

(Obr. 30)

- Vždy noste vhodnú obuv a výrobok používajte iba vtedy, keď stojíte na stabilnom, pevnom a rovnom povrchu. Na klzkých alebo nestabilných povrchoch, ako sú rebriky, môžete stratiť rovnováhu alebo kontrolu.

(Obr. 31)

Spätne nárazy, zošmyknutie, odsakovanie a pád

Rôzne sily môžu mať rôzny vplyv na bezpečné ovládanie výrobku.

- **Zošmyknutie** hrozí pri rýchlom pohybe lišty po dreve.
- **Odsakovanie** nastane, keď sa vodiaca lišta zdvihne z dreva a opakovane sa znova dostáva do kontaktu s drevom.
- **Pád** nastáva v situácii, keď po vykonaní rezu výrobok spadne. V dôsledku toho sa pohybujúca sa reťaz môže dotknúť častí tela alebo iných predmetov, spôsobiť poranenie alebo poškodenie.
- **Spätný náraz** nastáva, keď sa koniec vodiace lišty dotkne predmetov a pohne sa smerom dozadu, hore alebo náhle dopredu. K spätnému nárazu dochádza aj vtedy, keď drevo pri rezaní zovrie reťaz pily. K strate kontroly môže dôjsť, keď sa výrobok dotkne nejakého predmetu v dreve. (Obr. 32)
- K **rotačnému spätnému nárazu** môže dôjsť, keď sa pohybujúca reťaz dostane do kontaktu s predmetom v hornej časti vodiacej lišty. Reťaz sa môže do predmetu zaboriť a okamžite sa zastaví. Dôsledkom je veľmi rýchla spätná reakcia, pri ktorej sa vodiaca lišta posunie smerom hore a dozadu k obsluhujúcemu pracovníkovi. (Obr. 33)
- **Spätný náraz pri zovretí** hrozí, keď sa reťaz pily počas rezania náhle zastaví. Drevo sa zavrie a zovrie pohybujúcu sa reťaz pily v hornej časti vodiacej lišty. Náhle zastavenie spôsobí zmenu smeru sily vytvárajúcej pilou a zapríčiní, že sa výrobok pohne v opačnom smere vzhľadom na smer otáčania reťaze. Výrobok sa pohne dozadu smerom k obsluhujúcemu pracovníkovi. (Obr. 34)

- K **vtiahnutiu** môže dôjsť, keď sa pohybujúca sa reťaz v dreve dostane do kontaktu s predmetom v reze pozdĺž dolnej časti vodiacej lišty a reťaz pily sa náhle zastaví. Pri náhlom zastavení sa výrobok potiahne smerom dopredu, preč od obsluhujúceho pracovníka, čo môže ľahko spôsobiť stratu kontroly nad výrobkom. (Obr. 35)

Uistite sa, že rozumiete pôsobeniu rôznych síl a viete, ako im zabrániť ešte pred používaním výrobku. Pozrite si kapitolu *Zabránenie spätným nárazom, zošmyknutiu, odsakovaniu a pádu na strane 242.*

Zabránenie spätným nárazom, zošmyknutiu, odsakovaniu a pádu

- Keď je motor v chode, výrobok držte pevne. V pravej ruke držte zadnú rukoväť a ľavú ruku majte na prednej rukoväti. Rukoväti pevne zovrite v prstoch. Nepúšťajte ich.
- Počas rezania a vo chvíli pádu dreva na zem majte výrobok pod kontrolou. Nedovoľte, aby výrobok po vykonaní rezu v dôsledku vlastnej hmotnosti klesol smerom nadol.
- Zaisťte, aby vám v oblasti, kde vykonávate rezanie, nič neprekážalo. Pri práci nedovoľte, aby sa špička vodiacej lišty dotkla kmeňa, vetiev alebo iných prekážok. (Obr. 36)
- Režte pri vysokých otáčkach motora.
- Pri práci sa príliš nenačahujte a nerežte nad úrovňou plic. (Obr. 37)
- Pri ostrení a údržbe sa riadte pokynmi výrobcu reťaze pily.
- Používajte iba náhradné vodiace lišty a reťaze pily určené výrobcom.
- Riziko spätného nárazu sa zvyšuje, ak je nastavená príliš veľká hĺbka rezu.

Osobné ochranné prostriedky

- Počas používania výrobku vždy používajte správne osobné ochranné prostriedky. Osobné ochranné prostriedky znižujú rozsah zranení v prípade nehody, no ich riziko úplne neodstránia.
- Nepoužívajte voľný odev, ktorý by sa mohol zachytiť do reťaze pily.
- Používajte schválenú ochrannú prilbu.
- Počas obsluhy výrobku vždy používate schválenú ochranu uší. Dlhodobé pôsobenie hluku môže zapríčiniť stratu sluchu.
- Používajte ochranné rukavice alebo ochranný štít na tvár, aby ste znížili riziko poranenia spôsobeného letiacimi predmetmi. Výrobok môže vyvrátiť predmety, akými sú drevené triesky a malé kúsky dreva, veľkou silou. Môže dôjsť k vážnemu poraneniu vrátane poranenia očí.
- Používajte rukavice určené na ochranu pri rezaní reťazovou pilou.
- Používajte nohavice určené na ochranu pri rezaní reťazovou pilou.

- Používajte obuv určenú na ochranu pri rezaní reťazovou pilou s oceľovou špičkou a protišmykovými podrážkami.
- Uistite sa, že máte v blízkosti k dispozícii lekárničku.
- Z tlmiča výfuku, vodiacej lišty, reťaze píly alebo z iného zdroja môžu vyletúvať iskry. Vždy majte k dispozícii nástroje na hasenie ohňa a lopatu na zabránenie lesným požiarom.
- Motor neštartujte, ak olej alebo palivo vylejete na výrobok alebo na svoje telo.
- Výrobok neštartujte, ak sa na motore vyskytuje netesnosť. Pravidelne kontrolujte výskyt netesností na motore.
- Pri manipulácii s palivom zachovajte opatrnosť. Palivo je horľavá látka a výpary z paliva sú výbušné a môžu spôsobiť poranenia alebo smrť.

Ochranné zariadenia na výrobku

- Výrobok nepoužívajte, ak je poškodené ochranné vybavenie. Ak sa výrobok poškodí, kontaktujte schválené servisné stredisko.

Kontrola vypínača

1. Naštartujte motor. Pozrite si kapitolu *Pred naštartovaním motora na strane 245*.
2. Uistite sa, že po prepnutí vypínača do polohy zastavenia sa motor zastaví.

Kontrola zaistenia páčky plynu

1. Pri uvoľnení poistky páčky plynu (A) sa uistite, že je páčka plynu (B) zaistená v polohe voľnobehu (Obr. 38).
2. Stlačte poistku páčky plynu (A) a uistite sa, že sa po uvoľnení vráti do východiskovej polohy.
3. Stlačte páčku plynu (B) a uistite sa, že sa po uvoľnení vráti do východiskovej polohy.
4. Naštartujte motor a pridajte plný plyn.
5. Uvoľnite páčku plynu a skontrolujte, či reťaz píly zastaví.
6. Ak sa reťaz píly otáča, keď je páčka plynu v polohe voľnobehu, skontrolujte nastavovaciu skrutku voľnobehu karburátora.

Kryt

Kryt bráni vystreľovaniu predmetov smerom k obsluhujúcemu pracovníkovi. Kryt okrem toho zabraňuje neúmyselnému kontaktu obsluhujúceho pracovníka s reťazou píly.

- Uistite sa, že je použitie krytu prípustné v kombinácii s výrobkom.
- Výrobok nepoužívajte bez krytu.
- Skontrolujte, či kryt nie je poškodený. Ak je kryt opotrebovaný alebo sú na ňom praskliny, vymeňte ho.

Bezpečnosť paliva

- Výrobok neštartujte, ak sú na ňom zvyšky paliva alebo motorového oleja. Odstráňte neželané palivo/olej a nechajte výrobok vyschnúť. Odstráňte z výrobku neželané palivo.
- Ak vylejete palivo na odev, okamžite sa prezlečte.
- Dávajte pozor, aby ste si palivo nevyliali na telo, pretože môže spôsobiť poranenie. Ak si palivo vylejete na telo, umyte sa pomocou mydla a vody.

- Vyhňte sa vdychovaniu výparov paliva, pretože môžu spôsobiť poranenie. Zabezpečte dostatočné prúdenie vzduchu.
- V blízkosti paliva alebo motora nefajčite.
- Neukladajte do blízkosti paliva alebo motora teplé predmety.
- Nedopĺňajte palivo, keď je zapnutý motor.
- Pred dopĺňaním paliva sa uistite, že motor vychladol.
- Pred dopĺňaním paliva pomaly otvorte jeho palivovej nádrže a opatrne uvoľnite tlak.
- Palivo do motora nedopĺňajte v interiéri. Nedostatočné prúdenie vzduchu môže spôsobiť poranenie alebo smrť v dôsledku udusenía alebo otravy oxidom uhoľnatým.
- Starostlivo utiahnite veko palivovej nádrže, inak hrozí riziko vzniku požiaru.
- Pred spustením premiestnite výrobok minimálne 3 m od miesta, na ktorom ste doplnili palivo do nádrže.
- Neprepíňajte palivovú nádrž.
- Pri premiestňovaní výrobku alebo nádoby na palivo sa uistite, že z nich nevyteká palivo.
- Výrobok ani nádobu na palivo neukladajte na miesta s otvoreným ohňom, iskrami alebo trvalým plameňom. Uistite sa, že sa na mieste, na ktorom výrobok uskladníte, nenachádza otvorený oheň.
- Na premiestnenie alebo uskladnenie paliva používajte len schválené nádoby.
- Pred dlhodobým uskladnením vyprázdňte palivovú nádrž. Pri likvidácii paliva dodržiavajte miestne právne predpisy.
- Pred dlhodobým uskladnením výrobok vyčistite.
- Pred odložením odmontujte z výrobku kábel zapalovacej sviečky, aby ste sa uistili, že nedôjde k náhodnému spusteniu motora.

Bezpečnostné pokyny pre údržbu

- Pred vykonávaním údržby výrobku s výnimkou nastavení karburátora vyberte zapalovaciu sviečku.
- Všetky servisné práce okrem úloh uvedených v časti **ÚDRŽBA na strane 247** zverte autorizovanému obchodnému zástupcovi.
- Skontrolujte, či sa reťaz píly po uvoľnení páčky plynu zastaví.
- Udržiavajte rukoväti suché, čisté a bez oleja či zmesi paliva.
- Uzávery a upevňovacie prvky udržiavajte riadne utiahnuté.
- Výmena súčiastok za neschválené diely alebo demontáž bezpečnostných zariadení môže spôsobiť

poškodenie výrobku. Rovnako to môže zapríčiniť poranenie obsluhujúceho pracovníka alebo okolo stojacich osôb. Používajte výhradne odporúčané príslušenstvo a náhradné diely. Výrobok neupravujte.

- Reťaz pily udržiavajte ostrú a čistú na zaistenie bezpečnej a efektívnej prevádzky.
- Pri mazaní a výmene príslušenstva sa riaďte pokynmi.
- Skontrolujte, či niektoré zo súčiastok výrobku nie sú poškodené. Pred ďalším používaním výrobku sa presvedčte, či poškodený kryt alebo súčiastka fungujú správne. Skontrolujte poškodené alebo nesprávne zarovnané diely a diely, ktoré sa voľne

nepohybujú. Skontrolujte ďalšie stavy, ktoré ovplyvňujú prevádzku výrobku. Skontrolujte, či je výrobok správne nainštalovaný. Opravu alebo výmenu krytu či inej poškodenej súčiastky musí vykonať autorizovaný obchodný zástupca, pokiaľ to nie je uvedené inak v návode na obsluhu.

- Keď sa výrobok nepoužíva, uložte ho na suchom, zvýšenom mieste alebo v uzamknutom priestore, kde nemajú deti prístup.
- Počas prepravy alebo uskladnenia výrobku použite kryt vodiacej lišty alebo kufrik na presunutie výrobku.
- Nepoužívajte použitý olej. Použitý olej vás môže ohroziť a spôsobiť poškodenie výrobku a životného prostredia.

MONTÁŽ



VÝSTRAHA: Pred montážou výrobku si prečítajte kapitolu o bezpečnosti a uistite sa, že rozumiete informáciám, ktoré sa v nej uvádzajú.

Montáž vodiacej lišty a reťaze pily

1. Pri montáži zložte kryt zapaľovacej sviečky zo zapaľovacej sviečky, aby ste zabránili náhodnému spusteniu. (Obr. 39) (Obr. 40)
2. Odskrutkujte matice na lište a demontujte kryt spojky. Odstráňte prepravný kryt (A). (Obr. 41)
3. Vodiacu lištu vytiahnite nad skrutky lišty. Vodiacu lištu nastavte do najvzdialenejšej zadnej polohy.
4. Používajte ochranné rukavice určené na prácu s reťazovou pilou.
5. Reťaz pily nadvihnite ponad hnacie reťazové koliesko a umiestnite ju do drážky na vodiacej lište. Začnite na hornom okraji vodiacej lišty. (Obr. 42)
6. Presvedčte sa, že sú okraje rezacích článkov na hornom okraji vodiacej lišty otočené smerom dopredu.
7. Zostavte kryt spojky a napínací trň reťaze založte do otvoru vo vodiacej lište.
8. Skontrolujte či vodiace články reťaze pily správne zapadli na hnacie koliesko. Okrem toho skontrolujte, či je reťaz pily správne založená v drážke vo vodiacej lište.
9. Zatiahnite rukou matice na vodiacej lište.
10. Reťaz pily napnite otáčaním skrutky na napínanie reťaze v smere hodinových ručičiek pomocou kombinovaného kľúča. Reťaz pily napínajte, kým už nebude previsať pod vodiacou lištou, no dá sa jednoducho otočiť rukou. (Obr. 43) a (Obr. 44)
11. Podržte koniec vodiacej lišty a pomocou kombinovaného kľúča utiahnite matice na lište. (Obr. 45)
 - Po namontovaní novej reťaze pily často kontrolujte napnutie reťaze, kým nedôjde k zábehu reťaze pily.
 - Pravidelne kontrolujte napnutie reťaze. Správne napnutie reťaze vám zaisťí dobrý rezný výkon a dlhú životnosť.

PREVÁDZKA



VÝSTRAHA: Pred používaním výrobku si prečítajte kapitolu o bezpečnosti a porozumejte informáciám, ktoré sa v nej uvádzajú.

Používanie paliva



VAROVANIE: Tento výrobok má dvojtaktný motor. Používajte zmes benzínu a oleja pre dvojtaktné motory. Uistite sa, že do zmesi pridáte správne množstvo oleja. Nesprávny pomer benzínu a oleja môže poškodiť motor.

Zmiešavací pomer zmesi paliva

Zmiešavací pomer zmesi paliva v prípade benzínu a motorového oleja pre dvojtaktné motory je 50 : 1 (2 %)

Benzín	Olej pre dvojtaktný motor
1 am. gal.	77 ml (2,6 unce)
1 imperiálny gal.	95 ml (3,2 unce)
5 l	100 ml (3,4 unce)

Príprava zmesi paliva

1. Určite správne množstvo benzínu a motorového oleja (zmiešavací pomer 50 : 1). Pripravte si množstvo zmesi paliva, ktoré vám vydrží max. 30 dní. Pozrite si kapitolu *Zmiešavací pomer zmesi paliva na strane 244*.
2. Pridajte polovicu množstva benzínu do čistej nádoby na palivo s ventilom proti pretečeniu paliva.



VAROVANIE: Nepoužívajte benzín s vyššou než 10 % koncentráciou etanolu (E10). Mohlo by to viesť k poškodeniu výrobku.



VAROVANIE: Nepoužívajte benzín s oktánovým číslom menším než 90 RON (87 AKI). Mohlo by to viesť k poškodeniu výrobku.

Poznámka: Ak výrobok často používate na dlhodobé práce pri vysokých otáčkach, odporúčame používať vysokooktánový benzín.

3. Do nádoby na palivo pridajte celé množstvo oleja na dvojtaktné motory.



VAROVANIE: Vždy používajte motorový olej na vzduchom chladené dvojtaktné motory vysokej kvality. Iné oleje môžu spôsobiť poškodenie výrobku.

4. Pretrepaním nádoby zmes paliva premiešajte.
5. Do nádoby na palivo pridajte zvyšný objem benzínu.
6. Pretrepaním nádoby zmes paliva premiešajte.
7. Zmesou paliva naplňte palivovú nádrž výrobku. Pozrite si kapitolu *Zmiešavací pomer zmesi paliva na strane 244*.

Doplňanie paliva do palivovej nádrže

1. Skontrolujte, či je zmes paliva správna a či je nádoba na palivo vybavená ventilom proti pretečeniu paliva.
2. Ak sa palivo nachádza na nádobe, odstráňte neželané palivo a nechajte nádobu vyschnúť.
3. Uistite sa, že oblasť okolo veka palivovej nádrže je čistá.
4. Zložte uzáver palivovej nádrže. (Obr. 46)
5. Pred doplnením paliva do palivovej nádrže nádobu na palivo pretrepte.
6. Uzáver palivovej nádrže vráťte na miesto.

Mazanie reťaze pily

Výrobok je vybavený automatickým systémom mazania. Používajte správny olej na mazanie reťaze a dodržiavajte pokyny.

1. Používajte rastlinný olej na mazanie reťaze alebo štandardný olej na mazanie reťaze.
2. Skontrolujte, či je priestor v okolí uzáveru nádrže na olej na mazanie reťaze pily čistý.
3. Zložte uzáver nádrže na olej na mazanie reťaze pily.
4. Nádrž na olej na mazanie reťaze naplňte odporúčaným olejom na mazanie reťaze pily.
5. Uzáver nádrže na olej na mazanie reťaze pily zložte na miesto.

Pred naštartovaním motora

- Výrobok skontrolujte, či nemá poškodené, uvoľnené alebo opotrebované diely a či niektoré diely nechýbajú.
- Skontrolujte matice, skrutky a skrutky s maticou.
- Skontrolujte vzduchový filter.
- Skontrolujte, či poistka páčky plynu a ovládanie plynu fungujú správne.
- Skontrolujte, či vypínač funguje správne.
- Skontrolujte, či z výrobku neuniká palivo.
- Skontrolujte ostrosť a napnutie reťaze pily.

Štartovanie studeného motora

1. Predný chránič ruky posuňte dopredu, aby ste aktivovali brzdú reťaze. (Obr. 47)
2. Potiahnite ovládanie sýtiča smerom von a nahor.
3. 6-krát stlačte nastrekovací balónik. (Obr. 48)
4. Ľavou rukou držte telo výrobku na zemi. Na výrobok nestúpajte. Pomaly potiahnite rukoväť štartovacieho lanka, kým nepocítite istý odpor. Potom rukoväť štartovacieho lanka silno potiahnite. (Obr. 49)

Poznámka: Počas štartovania motora neťahajte za páčku plynu.

5. Ťahajte rukoväť štartovacieho lanka, kým sa motor nenašartuje alebo sa nepokúsi naštartovať (max. 3 potiahnutia). Ak motor naštartuje alebo sa pokúša naštartovať, potlačte ovládanie sýtiča nadol. (Obr. 50)



VAROVANIE: Štartovacie lanko neťahajte, kým sa nezastaví. Keď je štartovacie lanko úplne vyťahnuté, nepúšťajte ho. Štartovacie lanko pomaly uvoľnite. Nedodržanie týchto pokynov môže viesť k poškodeniu motora.

6. Pokračujte v ťahaní, kým motor nenašartuje. Po naštartovaní počkajte 60 sekúnd a až potom potiahnite páčku plynu.
7. Predný chránič ruky potiahnite naspäť smerom k prednej rukoväti, aby sa deaktivovala brzda reťaze.
8. Držte zadnú rukoväť pravou rukou a prednú rukoväť ľavou rukou.
9. Používajte výrobok.

Štartovanie teplého motora

1. Predný chránič ruky posuňte dopredu, aby ste aktivovali brzdu reťaze. (Obr. 51)
2. Potiahnite ovládanie sýtiča smerom von a nahor.
3. 6-krát stlačte nastrekovací balónik. (Obr. 52)
4. Ovládanie sýtiča zatlačte smerom nadol. (Obr. 53)
5. Ľavou rukou držte telo výrobku na zemi. Na výrobok nestúpajte. Pomaly potiahnite rukoväť štartovacieho lanka, kým nepocítite istý odpor. Potom rukoväť štartovacieho lanka silno potiahnite. (Obr. 54)



VAROVANIE: Štartovacie lanko neťahajte, kým sa nezastaví. Keď je štartovacie lanko úplne vytiahnuté, nepúšťajte ho. Štartovacie lanko pomaly uvoľnite. Nedodržanie týchto pokynov môže zapríčiniť poškodenie motora.

Poznámka: Počas štartovania motora neťahajte za páčku plynu.

6. Ťahajte rukoväť štartovacieho lanka, kým sa motor nenašartuje alebo sa nepokúsi naštartovať (max. 3 potiahnutia). Po naštartovaní počkajte 60 sekúnd a až potom potiahnite páčku plynu.
7. Predný chránič ruky potiahnite dozadu k prednej rukoväti, aby ste deaktivovali brzdu reťaze.
8. Držte zadnú rukoväť pravou rukou a prednú rukoväť ľavou rukou.
9. Používajte výrobok.

Naštartovanie motora v prípade, že je palivo príliš horúce

Ak sa výrobok nenašartuje, palivo môže byť príliš horúce.

Poznámka: Vždy používajte nové palivo a skráťte prevádzkový čas v teplem počasí.

1. Výrobok chráňte pred priamym slnečným svetlom a odkladajte ho na chladné miesto.
2. Výrobok nechajte vychladnúť minimálne 20 minút.
3. Opakovane stláčajte nastrekovací balónik 10 – 15 sekúnd.
4. Dodržiavajte pokyny pri štarte studeného motora. Pozrite si kapitolu *Štartovanie studeného motora na strane 245*.

Vypnutie

- Stlačením vypínača zastavte motor.

Poznámka: Vypínač sa automaticky vráti do svojej východiskovej polohy.

Používanie opierky rezania

Opierka rezania zabraňuje vzniku spätných nárazov a pri rezaní pridrža drevo. Opierka rezania tvorí otočný bod medzi telesom motora a vodiacou lištou.

1. Spodnú časť opierky rezania nastavte na správnu šírku zlomovej lišty.
2. Zatláčte ju ľavou rukou oproti prednej rukoväti a súčasne pravou rukou nadvihnite zadnú rukoväť.
3. Píľte, kým nedosiahnete správnu šírku zlomovej lišty.

Poznámka: Zlomová lišta musí mať rovnomernú hrúbku.

4. Odpíľte viac než polovicu priemeru a potom do vypíleného zárezu vložte rezný klin.

Pílenie stromu

1. Zo stromu odstráňte nečistoty, skaly, uvoľnenú kôru, klince, spinky a drôt.
2. Urobte zárez do 1/3 priemeru stromu kolmo k smeru predpokladaného pádu. (Obr. 55)
3. Urobte spodný vodorovný zárez. Ten pomôže zabrániť zovretiu reťaze píly alebo vodiacej lišty pri robení druhého zárezu.
4. Z druhej strany urobte zárez (X) minimálne 50 mm (2 palce) nad vertikálnym zárezom. Rez zo zadnej strany vedte rovnobežne s vodorovným zárezom tak, aby zostala dostatočne veľká nedorezaná časť na vytvorenie zlomovej lišty. Zlomovú lištu neprezazávajte. Nedorezaná časť v zlomovej lište bráni tomu, aby sa strom skrútil a spadol nesprávnym smerom. (Obr. 56) a (Obr. 57)
5. Keď sa zadný rez blíži k zlomovej lište, strom začína padať. Zaisťte, aby strom spadol správnym smerom, neodrazil sa dozadu a nezovrel reťaz píly. Zadný rez prerušte ešte pred dokončením, aby ste tomu zabránili. Pomocou drevených, plastových alebo hliníkových klinov roztvorte rez a nechajte strom spadnúť pozdĺž požadovanej línie pádu. (Obr. 58)
6. Keď strom začne padať, vyberte výrobok z rezu. Zastavte motor, výrobok odložte a použite plánovanú únikovú cestu. Dávajte si pozor na padajúce konáre a sledujte, kam stúpate. (Obr. 59)

Odvetvovanie stromu

1. Pomocou silnejších konárov zaisťte, aby sa kmeň nedotýkal zeme.
2. Malé konáre odstráňte jedným rezom. (Obr. 60)
3. Napnuté vetvy režte odspodu smerom nahor, aby ste predišli zovretiu reťaze píly alebo vodiacej lišty.

Skrcovanie kmeňa



VAROVANIE: Zabráňte kontaktu reťaze píly so zemou.

- Ak má kmeň oporu po celej dĺžke, odrežte vrchnú časť kmeňa (vrchný rez). (Obr. 61)
- Ak má kmeň oporu na jednom konci, prerežte 1/3 priemeru zo spodnej časti kmeňa (spodný rez).
- Ak má kmeň oporu na oboch koncoch prerežte 1/3 priemeru z vrchnej strany. Rez dokončíte prerezaním spodných 2/3 kmeňa tak, aby ste sa napojili na prvý rez. (Obr. 62)

- Ak skracujete kmeň na svahu, vždy sa postavte na vyššie položenú stranu kmeňa. Pri prerezávaní kmeňa majte výrobok úplne pod kontrolou. Tlak pri pílení uvoľnite v blízkosti ukončenia rezu, pričom pevne držte prednú a zadnú rukoväť. (Obr. 63)

ÚDRŽBA



VÝSTRAHA: Pred čistením, opravou a údržbou výrobku si prečítajte kapitolu o bezpečnosti a uistite sa, že rozumiete informáciám, ktoré sú v nej uvedené.

Plán údržby

Uistite sa, že dodržiavate plán údržby. Intervaly sú vypočítané na základe každodenného používania výrobku. Ak výrobok nepoužívate každý deň, intervaly sa líšia. Vykonávajte len údržbu uvedenú v tomto návode. V súvislosti s inými prácami súvisiacimi s údržbou, ktoré nie sú uvedené v tomto návode, kontaktujte schválené servisné stredisko.

Denná údržba

- Vyčistíte vonkajšie povrchy.
- Presvedčte sa, či poistka a páčka plynu fungujú správne.
- Očistíte brzdú reťaze a skontrolujte, či funguje správne.
- Skontrolujte, či nie je poškodený zachytávač reťaze. V prípade poškodenia zachytávač reťaze vymeňte.
- Vodiacu lištu každý deň otáčajte, aby sa opotrebovala rovnomerne.
- Skontrolujte, či mazací otvor vo vodiacej lište nie je upchatý.
- Odstráňte piliny a iný neželaný materiál spod krytu reťazového kolieska.
- Vyčistíte drážku vodiacej lišty. (Obr. 64)
- Zaisťte, aby do vodiacej lišty a na reťaz pily prúdilo dostatočné množstvo oleja.
- Skontrolujte reťaz pily:
 - či nemá popraskané nity a články,
 - či nemá nerovnomerne opotrebované nity a články,
 - či je správne napnutá,
 - či sa na vodiacich článkoch reťaze nenachádzajú ostriny.

V prípade potreby reťaz pily vymeňte.

- Naostrite reťaz pily. Pozrite si kapitolu *Ostrenie reťaze pily na strane 248*.
- Skontrolujte, či hnacie koliesko nie je nadmerne opotrebované, a v prípade potreby ho vymeňte.

(Obr. 65)

- Vyčistite nasávanie vzduchu krytu motora.
- Skontrolujte, či sú matice a skrutky dotiahnuté.
- Skontrolujte, či vypínač funguje správne.

Týždenná údržba

- Skontrolujte, či chladiaci systém funguje správne.
- Skontrolujte, či štartér, šnúra štartéra a vratná pružina fungujú správne.
- Skontrolujte, či nie sú poškodené antivibračné prvky.

(Obr. 66)

- Pilníkom odstráňte všetky ostriny z hrán vodiacej lišty.
- Vyčistite alebo vymeňte kryt na ochranu pred iskrami v tlmíci výfuku.

(Obr. 67)

- Vyčistíte vonkajšie povrchy karburátora a príslušné miesta.
- Vyčistíte vzduchový filter. Ak je vzduchový filter poškodený alebo príliš znečistený a nedá sa úplne vyčistiť, namontujte nový. Viac informácií nájdete v časti *Čistenie vzduchového filtra na strane 248*.

Mesačná údržba

- Skontrolujte, či nie je opotrebovaný brzdový pás na brzde reťaze. Ak je hrúbka brzdového pásu v najviac opotrebovanom bode menšia než 0,6 mm (0,024 palca), pás vymeňte.

(Obr. 68)

- Skontrolujte, či nie je opotrebovaný náboj spojky, bubon spojky a pružina spojky.
- Vyčistite zapaľovaciu sviečku. Skontrolujte správnu šírku medzery medzi elektródami.

(Obr. 69)

- Vyčistíte vonkajšie povrchy karburátora a príslušné miesta.
- Skontrolujte palivový filter a palivovú hadicu. V prípade potreby vymeňte.
- Vyprázdňte palivovú nádrž.
- Vyprázdňte nádrž na olej.
- Skontrolujte všetky káble a konektory.

Ročná údržba

- Skontrolujte zapaľovaciu sviečku.

- Vyčistite vonkajšie povrchy karburátora a príľahlé miesta.
- Vyčistite chladiaci systém.
- Skontrolujte kryt na ochranu pred iskrami.
- Skontrolujte palivový filter.
- Skontrolujte, či nie je poškodená palivová hadica.
- Skontrolujte všetky káble a konektory.

Občasná údržba

- V autorizovanom servisnom stredisku si nechajte opraviť alebo vymeniť tlmíč po 50 hodinách prevádzky.
- Údržbu zapaľovacej sviečky vykonávajte v prípade, že:
 - je nízka úroveň výkonu motora,
 - motor sa ťažko štartuje,
 - motor nefunguje správne pri voľnobežných otáčkach.
- Pri každom doplnení paliva skontrolujte mazanie reťaze pily. Pozrite si kapitolu *Kontrola mazania reťaze pily na strane 249*.

Nastavenie voľnobežných otáčok

Pred nastavením voľnobežných otáčok sa uistite, že je čistý vzduchový filter a pripevnený kryt vzduchového filtra.

1. Nastavovaciu skrutku voľnobehu označenú značkou „T“ otáčajte v smere hodinových ručičiek, kým sa reťaz pily nezačne otáčať.
2. Nastavovaciu skrutku voľnobehu označenú značkou „T“ otáčajte proti smeru hodinových ručičiek, kým sa reťaz pily nezastaví.
3. Voľnobežné otáčky musia byť nižšie ako otáčky, pri ktorých sa začne reťaz pily otáčať. Voľnobežné otáčky sú nastavené správne, ak motor beží plynulo vo všetkých polohách.

Údržba krytu na ochranu pred iskrami

- Kryt na ochranu pred iskrami vyčistíte pomocou drôtovej kefy. (Obr. 70)

Údržba zapaľovacej sviečky



VAROVANIE: Používajte odporúčanú zapaľovaciu sviečku. Uistite sa, že pri výmene použijete rovnaký diel ako diel dodaný výrobcom. Nesprávny typ zapaľovacej sviečky môže viesť k poškodeniu výrobku.

1. Ak máte problémy s naštartovaním alebo prevádzkou výrobku, skontrolujte, či sa na zapaľovacej sviečke nevyskytuje neželaný materiál. Zníženie rizika prítomnosti neželaného materiálu na elektródach zapaľovacej sviečky:

- a) uistite sa, že sú správne nastavené voľnobežné otáčky,
 - b) uistite sa, že používate správnu zmes paliva,
 - c) uistite sa, že je čistý vzduchový filter.
2. Ak je zapaľovacia sviečka znečistená, vyčistite ju. Skontrolujte správnu šírku medzery medzi elektródami. (Obr. 71)
 3. V prípade potreby vymeňte zapaľovaciu sviečku.

Čistenie vzduchového filtra

1. Odstráňte kryt vzduchového filtra a vzduchový filter. (Obr. 72)
2. Očistite vzduchový filter teplou mydlovou vodou. Pred opätovným vložením sa uistite, že je vzduchový filter suchý.
3. Ak je vzduchový filter príliš znečistený a nie je možné ho vyčistiť, vymeňte ho. Poškodený vzduchový filter vždy vymeňte.

Ostrenie reťaze pily

Rezací zub

Rezacia časť reťaze pily sa volá rezací článok a skladá sa z rezacieho zuba (A) a mierky hĺbky (B). Hĺbka rezu je daná výškovým rozdielom medzi nimi – nastavenie mierky hĺbky (C).

(Obr. 73)

Pri ostrení rezacieho zuba pamätajte na štyri dôležité faktory:

- Uhol brúsenia.

(Obr. 74)

- Uhol rezania.

(Obr. 75)

- Poloha pilníka.

(Obr. 76)

- Priemer okružného pilníka.

(Obr. 77)

Ostrenie rezacích zubov

Na ostrenie rezacích zubov používajte okružly pilník a brúsnu mierku. V časti *Brúsenie reťaze pily a kombinácie reťaze pily na strane 251* nájdete informácie o odporúčaných rozmeroch pilníka a mierky vzhľadom na reťaz pily nasadenú na vašom výrobku. (Obr. 78)

1. Skontrolujte, či je reťaz pily správne napnutá. Reťaz, ktorá nie je správne napnutá, sa pohybuje smerom k niektorej zo strán a nenaostří sa správne.
2. Pilníkom prebrúste všetky zuby na jednej strane. Potom pilníkom brúste smerom od vnútornej plochy a v opačnom smere zmiernite tlak.
3. Výrobok otočte na druhú stranu a pilníkom prebrúste zuby.

4. Pomocou pilníka zaistíte, aby mali všetky zuby rovnakú dĺžku. Opotrebovanú reťaz pily vymeňte, keď sa dĺžka rezacích zubov zmenší na 4 mm (5/32 palca).

Úprava nastavenia mierky hĺbky

Pred upravením nastavenia mierky hĺbky naostríte rezacie zuby. Pozrite si kapitolu *Ostrenie rezacích zubov na strane 248*. Ostrením rezacích zubov (A) sa zmenšuje nastavenie mierky hĺbky (C). Aby ste dosiahli optimálny výkon rezania, musíte zbrúsiť aj obmedzovacie zuby na odporúčanú výšku. Pozrite si časť *Brúsenie reťaze pily a kombinácie reťaze pily na strane 251*, v ktorej nájdete správne nastavenie mierky hĺbky vašej konkrétnej reťaze.

(Obr. 79)

(Obr. 80)

Poznámka: Toto odporúčanie predpokladá, že dĺžka rezacieho zuba nie je nadmerne skrátená.

Na nastavenie mierky hĺbky použite plochý pilník a mierku hĺbky obmedzovacích zubov.

1. Mierku hĺbky obmedzovacích zubov priložte nad reťaz pily. Podrobné informácie o používaní mierky hĺbky obmedzovacích zubov nájdete na balení.
2. Na zbrúsenie vyčnievajúcej časti obmedzovacieho zuba používajte plochý pilník. Hĺbka rezu je správna, keď pri ťahaní pilníka po meradle necítite žiaden odpor.

Napnutie reťaze pily

Poznámka: Počas zábehu často kontrolujte napnutie novej reťaze pily.

1. Uvoľníte matice vodiacej lišty, ktorými je upevnený kryt reťazového kolieska. Použite kombinovaný kľúč. (Obr. 81)

2. Rukou čo najviac utiahnite matice na vodiacej lište.
3. Nadvihnite vrchnú časť vodiacej lišty a reťaz pily napnite utáňovaním skrutky na napínanie reťaze. Použite kombinovaný kľúč. Napnite reťaz pily tak, aby nevisela zospodu vodiacej lišty. (Obr. 82)
4. Kombinovaným kľúčom utáňujte matice na vodiacej lište a súčasne dvíhajte koniec vodiacej lišty. (Obr. 83)
5. Presvedčte sa, či sa reťaz pily dá rukou voľne potiahnuť a či neprevisa. (Obr. 84)

Mazanie rezného zariadenia

Kontrola mazania reťaze pily

Pri každom doplnení paliva skontrolujte mazanie reťazovej pily.

1. Výrobok naštartujte a nechajte ho bežať na 3/4 rýchlosti. Špičkou vodiacej lišty namierte na svetlý povrch vo vzdialenosti takmer 20 cm (8 palcov).
2. Po 1 minúte chodu sa na svetlom povrchu objaví olejová čiara.
3. Ak po 1 minúte čiaru nevidno, vyčistite olejový kanálik vo vodiacej lište. Vyčistite drážku na okraji vodiacej lišty. Skontrolujte či sa vodiace koliesko voľne otáča a mazací otvor nič neblokuje. Reťazové koliesko vyčistíte a namažete.
4. Výrobok naštartujte a nechajte ho bežať na 3/4 rýchlosti. Špičkou lišty namierte na svetlý povrch vo vzdialenosti takmer 20 cm (8 palcov).
5. Po 1 minúte chodu sa na svetlom povrchu objaví olejová čiara.
6. Ak ani po 1 minúte olejovú čiaru nevidno, obráťte sa na autorizovaného obchodného zástupcu.

PREPRAVA

- Pred prepravou vyprázdňte palivovú nádrž a nádrž na olej na mazanie reťaze. Použite kvapaliny zlikvidujte správnym spôsobom.
- Na rezací nadstavec na obdobie prepravy nasadíte kryt vodiacej lišty. Ten zaistíte, aby sa nikto náhodou nedotkol ostrej reťaze pily. O reťaz pily, ktorá sa nepoužíva, sa môžete poraniť vy alebo iné osoby, keď sa dotknú ostrej reťaze pily.
- Pred prepravou zložte kryt zo zapalovacej sviečky a aktivujte brzdzu reťaze.
- Zaistíte, aby sa výrobok počas prepravy nehýbal.

SKLADOVANIE

- Keď sa výrobok nepoužíva, vždy ho bezpečne odložte. Kvapaliny a výpary unikajúce z výrobku sa môžu vznietiť v dôsledku iskrenia, otvoreného plameňa z elektrického vybavenia, elektrických kosačiek, relé/spínačov, bojlerov a pod.
- Palivo vždy odkladajte v schválenej nádobe.
- Pri uskladnení výrobku na dlhší čas vyprázdňte palivovú nádrž a nádrž na olej na mazanie reťaze. Použite kvapaliny zlikvidujte správnym spôsobom.
- Počas uskladnenia zložte na vodiacu lištu príslušný kryt. Ten zaistíte, aby sa nikto náhodou nedotkol ostrej reťaze pily. O reťaz pily, ktorá sa nepoužíva, sa môžete vážne poraniť vy alebo iné osoby pri kontakte s ostrou reťazou pily.

- Pred uskladnením zložte kryt zo zapaľovacej sviečky a aktivujte brzdu reťaze.

TECHNICKÉ ÚDAJE

	jednotka	130 (H13038HV)	135 Mark II (H13038HV)
Technické údaje motora			
Zdvihový objem valca	cm ³	38	38
Zapaľovacia sviečka	—	NGK BPMR 7A	NGK BPMR 7A
Medzera medzi elektródami	mm (palce)	0,5 (0,02)	0,5 (0,02)
Objem palivovej nádrže	cm ³	350	350
Voľnobežné otáčky	min. ⁻¹	2 800 – 3 200	2 800 – 3 200
Výkon pri 9000 min ⁻¹	kW	1,5	1,6
Čas emisnej trvanlivosti	h	125	125
Údaje o hluku a vibráciách			
Ekvivalentná hladina vibrácií (ahv, eq) na ľavej rukoväti ⁸¹	m/s ²	3,72	3,72
Ekvivalentná hladina vibrácií (ahv, eq) na pravej rukoväti ⁸²	m/s ²	5,5	5,5
Úroveň hlučnosti, garantovaná (L _{WA}) ⁸³	dB(A)	116	116
Úroveň hlučnosti, nameraná ⁸⁴	dB(A)	114	114
Úroveň akustického tlaku pri uchu používateľa ⁸⁵	dB(A)	102	102
Rozmery výrobku			
Hmotnosť (bez rezného zariadenia)	kg	4,68 (10,3)	4,68 (10,3)
Objem nádrže na olej	cm ³	260	260
Systém paliva a mazania			
Kapacita olejového čerpadla pri 9000 min ⁻¹	ml/min	9	9
Typ olejového čerpadla	—	Automatické	Automatické
Reťaz píly a vodiaca lišta			
Štandardná dĺžka vodiacej lišty	cm (palce)	35 – 40 (14 – 16)	35 – 40 (14 – 16)

⁸¹ Ekvivalentná hladina vibrácií sa počíta ako časovo vážená celková energia pre jednotlivé hladiny vibrácií pri rôznych pracovných podmienkach. Uvádzané údaje pre ekvivalentnú hladinu vibrácií majú typický štatistický rozptyl (štandardnú odchýlku) 1,5 m/s².

⁸² Ekvivalentná hladina vibrácií sa počíta ako časovo vážená celková energia pre jednotlivé hladiny vibrácií pri rôznych pracovných podmienkach. Uvádzané údaje pre ekvivalentnú hladinu vibrácií majú typický štatistický rozptyl (štandardnú odchýlku) 1,5 m/s².

⁸³ Emisie hluku v prostredí merané ako hlučnosť (L_{WA}).

⁸⁴ Emisie hluku v prostredí merané ako hlučnosť (L_{WA}).

⁸⁵ Ekvivalentná hladina akustického tlaku sa počíta ako časovo vážená celková energia pre jednotlivé hladiny akustického tlaku pri rôznych pracovných podmienkach. Typický štatistický rozptyl hladiny akustického tlaku je štandardná odchýlka 2,5 dB (A).

	jednotka	130 (H13038HV)	135 Mark II (H13038HV)
Odporúčaná dĺžka vodiacej lišty	cm (palce)	35 – 40 (14 – 16)	35 – 40 (14 – 16)
Použiteľná rezná dĺžka	cm (palce)	33 – 38 (13 – 15)	33 – 38 (13 – 15)
Maximálna rýchlosť reťaze píly	m/s	22,3	22,3
Rozstup reťaze píly	mm (palce)	9,52 (3/8)	9,52 (3/8)
Hrúbka vodiacich článkov (mierka)	mm (palce)	1,3 (0,050)	1,3 (0,050)
Typ hnacieho kolieska	—	Záberové	Záberové
Počet zubov hnacieho kolieska	—	6	6

PRÍSLUŠENSTVO

Kombinácie vodiacej lišty a reťaze píly

Vodiaca lišta				Reťaz píly	
Dĺžka	Delenie	Mierka	Max. polomer špičky	Typ	Počet vodiacich článkov
14 palcov	3/8 palca	0,050 palca	7T	Husqvarna H37	52
16 palcov				Husqvarna S93G	56

Brúsenie reťaze píly a kombinácie reťaze píly

Typ reťaze	Veľkosť okrúhleho pilníka	Uhol bočnej platničky	Uhol vrchnej platničky	Uhol vedenia pilníka	Nastavenie mierky hĺbky	Mierka hĺbky – číslo dielu	Brúsna mierka – číslo dielu
H37, S93G	5/32 palca 4,0 mm	80°	30°	0°	0,025/0,65	5056981-03	5052437-01

OBSAH VYHLÁSENIA O ZHODE ES

V mene spoločnosti Husqvarna AB, SE 561 82 Huskvarna, ŠVÉDSKO, vyhlasujeme s plnou zodpovednosťou, že reprezentovaný výrobok:

Popis	Benzínová reťazová píla
Značka	Husqvarna

Popis	Benzínová reťazová píla
Platforma/Typ/Model	Platforma H13038HV reprezentuje modely 130, 135 Mark II
Séria	Výrobné číslo z roku 2018 a nasledujúcich rokov

plne spĺňa nasledujúce smernice a nariadenia EÚ:

Smernice/Nariadenia	Popis
2006/42/EC	„o strojových zariadeniach“
2014/30/EÚ	„týkajúca sa elektromagnetickej kompatibility“
2000/14/ES	„týkajúca sa hluku vo voľnom priestranstve“
2011/65/EÚ	„o obmedzení používania určitých nebezpečných látok“

Spĺňa nasledovné použité harmonizované normy a/alebo technické špecifikácie: EN ISO 12100, EN ISO 11681-1, CISPR 12, ISO 14982

V súlade s ustanovením prílohy V smernice 2000/14/ES sú deklarované úrovne hluku uvedené v časti o technických údajoch tohto návodu na obsluhu a v podpísanom Vyhlásení o zhode EÚ.

TÜV Rheinland LGA Products GmbH, notifikovaný orgán pre strojárstvo (notifikovaný podľa 0197), Tillystraße 2 – 90431 Nürnberg, Nemecko, vykonal typovú skúšku podľa predpisov ES v súlade s článkom 12, bodom 3b smernice 2006/42/ES.

V zmysle prílohy IX Vyhlásenia o zhode je tento certifikát typovej skúšky platný pre všetky miesta výroby a krajiny pôvodu, tak ako sú vyznačené na výrobku.

Táto reťazová píla sa zhoduje so vzorkou, ktorá prešla typovou skúškou ES.

TARTALOMJEGYZÉK

BEVEZETÉS.....	253	SZÁLLÍTÁS.....	263
BIZTONSÁG.....	254	TÁROLÁS.....	263
ÖSSZESZERELÉS.....	258	MŰSZAKI ADATOK.....	264
HASZNÁLAT.....	258	TARTOZÉKOK.....	265
KARBANTARTÁS.....	261	AZ EK-MEGFELELŐSÉGI NYILATKOZAT TARTALMA.....	265

BEVEZETÉS

Kezelői kézikönyv

A kezelői kézikönyv eredeti nyelve angol. A más nyelvű kezelői kézikönyvek az angol változat fordításai.

Áttekintés

(ábra 1)

1. Hengerköpeny
2. Üzemanyagpumpa
3. Adatlap (termék- és sorozatszám)
4. Tájékoztató és figyelmeztető címke
5. Leállítókapcsoló
6. Hátsó fogantyú
7. Üzemanyagtartály
8. Berántókötél markolata
9. Indítószervezet háza
10. Döntési irány jele
11. Láncolaj tartálya
12. Elülső fogantyú
13. Láncfék és első kézvédő
14. Kipufogódob
15. Fűrészlánc
16. Vezetőlemez orrkereke
17. Vezetőlemez
18. Láncfeszítő csavar (130)
19. Láncfeszítő csavar (135 Mark II)
20. Röntkímasz
21. Láncfogó
22. Tengelykapcsoló-fedél
23. Jobb oldali kézvédő
24. Gázadagoló
25. Gázadagoló retesze
26. Vezetőlemez burkolata
27. Kombinált kulcs
28. Kezelői kézikönyv

A termék szimbólumai

(ábra 2) Figyelmeztetés

- (ábra 3) Olvassa el a kézikönyvet
- (ábra 4) Használjon jóváhagyott fejtvedőt, fülvédőt és védőszemüveget
- (ábra 5) Használjon jóváhagyott védőkesztyűt
- (ábra 6) Ez a termék megfelel a vonatkozó EK-irányelveknek
- (ábra 7) Hangteljesítményszint
- (ábra 8) Láncfék, nincs bekapcsolva (balra). Láncfék, bekapcsolva (jobbra)
- (ábra 9) Hidegindító kar
- (ábra 10) Üzemanyagpumpa
- (ábra 11) Tankolás
- (ábra 12) Láncolajbetöltő nyílás
- (ábra 13) Ez a termék megfelel a vonatkozó EAC-irányelveknek
- (ábra 14) Ez a termék megfelel a vonatkozó ukrán irányelveknek
- (ábra 15) Ez a termék megfelel a vonatkozó koreai irányelveknek
- (ábra 16) Ez a termék megfelel a vonatkozó japán irányelveknek
- (ábra 17) Zajszint
- (ábra 18) A terméket két kézzel, szilárdan fogja
- (ábra 19) Ne használja egy kézzel
- (ábra 20) Kerülje az érintkezést a vezetőlemez orrával
- (ábra 21) Ügyeljen a visszarúgásra

(ábra 22) Ez a termék megfelel a vonatkozó elektromágneses megfelelésre irányuló ausztrál és új-zélandi irányelveknek.

Proposition 65

(ábra 23)

EU V



FIGYELMEZTETÉS: A motor módosítása érvényteleníti a termékre vonatkozó európai uniós típusjóváhagyást.

Termékszavatosság

A termékszavatosságra vonatkozó jogszabályok értelmében nem vagyunk felelősek a termékeink által okozott károkért az alábbi esetekben:

Megjegyzés: A terméken szereplő többi jelölés/címke a további piacok specifikus vizsgáztatási követelményeire vonatkozik.

- a termék javítását helytelenül végezték;
- a termék javítása nem a gyártótól származó vagy általa jóváhagyott alkatrészekkel történt;
- a terméket nem a gyártótól származó vagy általa jóváhagyott kiegészítővel szerelték fel;
- a termék javítását nem hivatalos szakszerviz vagy jóváhagyott egyéb szerviz végezte.

BIZTONSÁG

Biztonsági fogalom meghatározások

Az alábbi fogalom meghatározások az egyes figyelmeztetésekhez tartozó, lehetséges veszélyek súlyosságát határozzák meg.



FIGYELMEZTETÉS: Személyi sérülés veszélye.



VIGYÁZAT: A termék károsodásának veszélye.

Megjegyzés: Ezek az információk a termék használatát könnyítik meg.

Általános biztonsági utasítások

- Használja a terméket megfelelően. A nem megfelelő használat súlyos, akár halálos sérüléssel is járhat. A terméket csak a kézikönyvben ismertetett feladatokra használja. Ne használja a terméket egyéb feladatokra.
- Olvassa el, értelmezze és tartsa be a kézikönyv utasításait. Vegye figyelembe a biztonsági jelzéseket és tartsa be a biztonsági utasításokat. Ha a kezelő nem az utasítások és a szimbólumok szerint jár el, anyagi kár, személyi sérülés, akár halál is bekövetkezhet.
- Őrizze meg a kézikönyvet. Használja az utasítást a termék összeszereléséhez, működtetéséhez és a megfelelő üzemállapot fenntartásához. Használja az utasítást a kiegészítők és tartozékok megfelelő felszereléséhez. Csak jóváhagyott kiegészítőt és tartozékot használjon.

- Ne használjon sérült terméket. Tartsa be a karbantartási ütemtervet. Csak azt a karbantartási munkát végezze el, amire a kézikönyvben utasítást talál. Az összes többi karbantartási munkát bízza a hivatalos szakszervizre.
- A kézikönyv nem tartalmazhatja minden olyan helyzet leírását, ami a termék használata során előfordulhat. Legyen körültekintő és hagyatkozzon a józan eszére. Ne működtesse a terméket és ne végezzen rajta karbantartást, ha nem biztos a dolgában. Kérjen tájékoztatást a termék szakértőjétől, a forgalmazótól, szervizműhelytől vagy a hivatalos márkaszerviztől.
- Húzza le a gyertyapipát, mielőtt a termék összeszerelésébe kezd, elteszi vagy karbantartásba kezd.
- Ne használja a terméket, ha megváltozott az eredeti specifikációja. Ne cseréljen a terméken alkatrészt a gyártó jóváhagyása nélkül. Csak a gyártó által jóváhagyott alkatrészeket használjon. A nem megfelelő karbantartás súlyos, akár végzetes sérüléssel is járhat.
- Ne lélegezze be a motorból kiáramló füstöt. A motorból kiáramló kipufogógáz, a kipufogóból származó gőz, vagy a fűrészpör hosszabb ideig tartó belélegzése egészségügyi kockázatot jelent.
- Ne indítsa be az egységet zárt helyiségben vagy gyúlékony anyagok közelében. A kipufogógázok forróak, és lehet bennük szikra, mely tüzet okozhat. A nem megfelelő légáramlás fulladás vagy szén-monoxid okozta sérüléssel vagy halállal járhat.
- A termék működés közben elektromágneses mezőt hoz létre. Az elektromágneses mező károsíthatja az orvosi implantátumokat. A termék használata előtt kérje ki orvosa vagy orvosi implantátuma gyártójának tanácsát.
- A terméket gyermekek nem használhatják.

- Ne használja a terméket olyan személy, aki nem ismeri a kezelési utasítást.
- Csökkent fizikai vagy szellemi képességekkel rendelkező személy csak felügyelet mellett használhatja a terméket. Egy felelős felnőttnek mindig jelen kell lennie.
- A terméket zárja el olyan helyre, ahol gyermek vagy jogosulatlan személy nem férhet hozzá.
- A termék tárgyakat repíthet szét, és ezzel sérülést okozhat. Tartsa be a biztonsági előírásokat, hogy csökkenthető legyen a súlyos, akár halálos sérülések kockázata.
- Ne hagyja magára a járó motorú terméket. Állítsa le a motort és győződjön meg arról, hogy a lánc nem forog.
- Az esetleges balesetekért a termék kezelője a felelős.
- A termék használatának megkezdése előtt ellenőrizze az alkatrészek épségét.
- Tartsa be az állami vagy helyi törvényeket. Egyes feltételek mellett ezek tilthatják vagy korlátozhatják a termék használatát.
- Ne használja a terméket, ha baleset esetén nincs, aki segítsen. Mielőtt beindítja a terméket, szójjon a közelben lévő személyeknek, hogy mire készül.
- Csak akkor forduljon meg a termékkel, ha meggyőződött arról, hogy sem ember, sem állat nincs a biztonsági területen belül.
- Munkakezdés előtt távolítson el minden nem kívánatos anyagot a munkaterületről. Ha a lánc nekiütközik valaminek, a tárgy elrepülve személyi sérülést vagy anyagi kárt okozhat. Nem kívánatos anyagok tekeredhetnek a láncra és ezzel kárt okozhatnak.
- Ne használja a terméket rossz időjárási körülmények között, például ködben, esőben, erős szélben, illetve villámlás kockázata vagy egyéb kedvezőtlen időjárási viszonyok mellett. Rossz időjárás esetén veszélyes feltételek alakulhatnak ki, például csúszós talajfelületek.
- Ügyeljen arra, hogy szabadon mozoghasson, és dolgozzon stabil testhelyzetben.
- Ügyeljen arra, hogy ne eshessen el a termék használatakor. Ne görnyedve, meghajolva használja a terméket.
- Tartsa mindig mindkét kezével a terméket. Az elülső fogantyút bal kézzel, a hátsó fogantyút pedig jobb kézzel tartsa. A terméket tartsa teste jobb oldalán.
- Ha a szivatókar a motor beindításakor szivató állásban van, a lánc fogorni kezd.
- Állítsa le a motort, mielőtt szállítani kezdi a terméket.
- Ne tegye le a terméket járó motorral.
- Állítsa le a motort, mielőtt eltávolítja a termékről a nemkívánatos anyagokat. Várja meg, hogy a lánc leálljon, mielőtt Ön vagy a segítsége eltávolítja a levágott anyagot.
- Ne használja a terméket fa tetején. Ha fa tetején használja a terméket, az személyi sérülést okozhat.

Biztonsági utasítások az üzemeltetéshez

- A termék folyamatos vagy rendszeres használata a rezgés miatt ujfehérédedést, vagy hasonló tüneteket okozhat. Ha folyamatosan vagy rendszeresen használja a terméket, vizsgáltsa meg kezei és ujjai egészségi állapotát. Ha kézfeje vagy ujjai elszíneződtek, fájnak, bizseregnek vagy zsibbadnak, ne folytassa a munkát, és forduljon azonnal orvoshoz.
- A használata előtt gondoskodjon arról, hogy a termék legyen teljesen összeszerelve.
- A termék tárgyakat repíthet szét, amelyek megsérülést okozhatnak. Állítsa le a terméket, ha valaki belép a munkaterületre.
- Legyen körültekintő, a termék használata közben az Ön tudta nélkül közel jöhetnek gyerekek.
- Ne működtesse a terméket, ha a munkaterületen másvalaki is tartózkodik. Állítsa le a terméket, ha valaki belép a munkaterületre.

(ábra 24)

- Legyen körültekintő, hogy ne veszítse el uralmát a termék felett.
- A terméket két kézzel kell használni. Ne használja a terméket egy kézzel. A termék egy kézzel történő használata a kezelő, más munkások, illetve a közelben tartózkodók súlyos sérülését okozhatja.
- Az elülső fogantyút bal kézzel, a hátsó fogantyút pedig jobb kézzel tartsa. A terméket tartsa teste jobb oldalán.

(ábra 25)

- Ne használja a terméket, ha fáradt, beteg, illetve, ha alkohol, drog vagy gyógyszer hatása alatt áll.

(ábra 26)

- A termék elindításakor alkalmazni kell a láncfékét, mivel így csökken a kockázata, hogy a fűrészlánc az indítás során a kezelőhöz ér.

(ábra 27)

- Kerülje a visszarugást, csúszást, pattogást és ejtést, mivel ezek súlyos sérülést okozhatnak.
- Tartsa be a biztonsági utasításokat, mivel így elkerülheti a visszarugást és más erőhatásokat, amelyek súlyos sérülést okozhatnak.
- A fűrészlánc feszességének rendszeres igazításával biztosítsa, hogy a fűrészlánc ne lazuljon meg. A meglazult fűrészlánc leugorhat a helyéről, ami súlyos sérülést vagy halált okozhat.
- Ne használjon helytelen eljárást a fák kidöntésére. Ezzel személyi sérülést vagy anyagi kárt okozhat, illetve hálózati vezetékhez érhet.
- A kezelőnek minden esetben a magasabb területen kell tartózkodnia, mivel a kivágást követően fa nagy eséllyel legurul vagy lecsúszik a lejtőn.

(ábra 28)

- A vágás megkezdése előtt tervezzon meg vagy alakítson ki menekülési útvonalat. A menekülési útvonalnak a lehetséges dőlési vonal mögött, átlós irányban kell lennie.

(ábra 29)

- Mindig állítsa le a motort, mielőtt a terméket más helyre viszi.
- Megfelelően álljon szilárdan a talajon, és egyenletesen ossza el súlyát.

(ábra 30)

- Mindig gondoskodjon a megfelelő alaptatról, és csak stabil, biztonságos és vízszintes felületen állva használja a terméket. Sikos vagy nem stabil felületen, például létrán állva elvesztheti egyensúlyát vagy uralmát a termék felett.

(ábra 31)

Visszarúgás, csúszás, pattogás és ejtés

A különböző erők hatással lehetnek a termék biztonságos kezelésére.

- **Csúszás** történik, ha a vezetőlemez gyorsan halad a fán.
- **Pattogás** történik, ha a vezetőlemez ismétlődően felemelkedik és újra meg újra hozzáér a fához.
- **Ejtés** történik, ha a termék leesik a vágás után. Ekkor a mozgó lánc testrészt vagy más tárgyakat érhet, személyi sérülést vagy anyagi kárt okozva ezzel.
- **Visszarúgás** történik, ha a vezetőlemez vége tárgyhoz ér, és hátrafelé, felfelé vagy váratlanul előre mozdul. Visszarúgás történhet akkor is, ha a vágás során a fa összezárul, és beszorítja a fűrészláncot. Elveszitheti az irányítást, ha a termék valamilyen tárgyat ér a fában. (ábra 32)
- **Rotációs visszarúgás** történhet, ha a mozgó lánc a vezetőlemez csúcsánál tárgyhoz ér. Ekkor a lánc a tárgyba szorulhat, és azonnal megállhat. Ennek hatására a vezetőlemez nagyon gyorsan felfelé és hátra, a kezelő irányába mozdulhat. (ábra 33)
- **Becsípődéses visszarúgás** történhet, ha a fűrészlánc hirtelen megáll a vágás során. A fa összezárul és beszorítja a mozgó fűrészláncot a vezetőlemez felső része mentén. A lánc hirtelen megállása megfordítja a láncercőt, melynek hatására a termék a lánc forgásával ellentétes irányba mozdul. A termék hátrafelé, a kezelő irányába mozdul. (ábra 34)
- **Behúzás** történhet, ha a mozgó fűrészlánc hirtelen megáll, mert tárgyat ér a fában a vezetőlemez alsó része mentén. A hirtelen megállás a terméket előre rántja, elhúzza a vezetőtől, melynek hatására a kezelő elveszítheti az uralmát a termék felett. (ábra 35)

Tartsa észben a különböző erők és azok elkerülésének módját, mielőtt használatba venné a terméket. Lásd *A visszarúgás, csúszás, pattogás és ejtés elkerülése* 256. oldalon.

A visszarúgás, csúszás, pattogás és ejtés elkerülése

- Mindig szorosan tartsa a terméket, ha a motor jár. Jobb kezét tartsa a hátsó fogantyún, bal kezét pedig az elülső fogantyún. Tartsa ujjait szorosan a fogantyúkon. Ne engedje el a terméket.
- Figyeljen, hogy ne veszítse el uralmát a termék felett a vágás során és miután a fa eldőlt. Ne hagyja, hogy súlya miatt leejtse a terméket a vágás után.
- Gondoskodjon arról, hogy a vágás területe szabad. Ne hagyja, hogy a termék használata közben a vezetőlemez orra fatörzset, ágat vagy más akadályt érjen. (ábra 36)
- Magas motorfordulatszámra vágjon.
- Ne nyújtózzon és ne vágjon vállmagasság felett. (ábra 37)
- Tartsa be a fűrészlánc gyártójának élesítésre és karbantartásra vonatkozó utasításait.
- Kizárólag a gyártó által meghatározott vezetőlemezt és fűrészláncot használja cserealkatrészként.
- A visszarúgás veszélye megnő, ha a mélységhatároló távolsága túl nagy.

Személyi védőfelszerelés

- A termék használata során mindig viseljen megfelelő személyi védőfelszerelést. A személyi védőfelszerelés csökkenti az esetleges sérülések súlyosságát, de nem csökkenti a balesetek esélyeit.
- Ne viseljen laza ruházatot, mely beakadhat a fűrészláncba.
- Használjon jóváhagyott védősisakot.
- A termék használatakor viseljen jóváhagyott fülvédőt. A zajnak való tartós kitettség halláskárosodást okozhat.
- Az elrepülő tárgyak által okozott sérülések elkerülése érdekében mindig viseljen védőszemüveget vagy -maszkot. A termék nagy erővel mozdíthat el tárgyakat, például faforgácsot és kisebb fadarabokat. Ez súlyos sérüléseket, többek között szemsérülést is okozhat.
- Használjon láncfűrész vágás ellen védő kesztyűt.
- Használjon láncfűrész vágás ellen védő nadrágot.
- Használjon láncfűrész vágás ellen védő, acéllemez lábujjvédős és csúszásgátlós bakancsot.
- Legyen a közelben elsősegély-készlet.
- A hangfogóból, a vezetőlemezeiről, a fűrészláncról és más helyekről szikrák pattanhatnak el. Mindig tartson a közelben tűzoltó eszközöket és ásót az erdőtüzek elkerülésének érdekében.

Biztonsági eszközök a terméken

- Ne használja a terméket sérült biztonsági eszközökkel. Ha a termék megsérült, forduljon vele hivatalos szakszervizhez.

A leállítókapcsoló ellenőrzése

1. Indítsa be a motort. Lásd *A motor beindítása előtt 259. oldal*.
2. Győződjön meg arról, hogy a motor leáll, amikor a leállítókapcsolót STOP helyzetbe állítja.

A gázadagoló reteszének ellenőrzése

1. Ellenőrizze, hogy a gázadagoló reteszének (A) elengedések a gázadagoló (B) alapjáratú helyzetben rögzül-e (ábra 38).
2. Nyomja le a gázadagoló reteszét (A) és győződjön meg arról, hogy az visszatér az eredeti helyzetébe, miután felengedi.
3. Nyomja le a gázadagolót (B) és győződjön meg arról, hogy az visszatér az eredeti helyzetébe, miután elengedi.
4. Indítsa be a motort és adjon teljes gázt.
5. Engedje el a gázadagolót, és ellenőrizze, hogy a fűrészlánc leáll-e.
6. Ha a fűrészlánc a gázadagoló alapjáratú helyzetében is forog, vizsgálja meg a karburátoron az alapjárat-beállító csavar helyzetét.

Védőburkolat

A védőburkolat megakadályozza, hogy a vágott tárgyat a kezelő irányába dobja ki a gép. A védőburkolat megakadályozza, a kezelő és a fűrészlánc közötti véletlen érintkezést is.

- Ellenőrizze, hogy olyan védőburkolatot használ-e, amelyet engedélyeztek ehhez a termékhez.
- Ne működtesse a terméket a védőburkolat nélkül.
- Ellenőrizze, hogy a védőburkolat sértetlen-e. Cserélje ki a védőburkolatot, ha elhasználódott vagy repedezett.

Üzemanyaggal kapcsolatos biztonság

- Ne indítsa be a terméket, ha üzemanyag vagy motorolaj került rá. Távolítsa el a nem kívánt üzemanyagot/motorolajat és hagyja megszáradni a terméket. Távolítsa el a nem kívánt üzemanyagot a termékről.
- Ha a kiömlött üzemanyag a ruhájára csöpöpent, öltözzön át azonnal.
- Ügyeljen arra, hogy ne kerüljön üzemanyag a testére, mert az sérülést okozhat. Ha üzemanyag került a testére, távolítsa el szappannal és vízzel.
- Ne indítsa be a motort, ha olaj vagy üzemanyag került a termékre vagy Önre.

- Ne indítsa be a motort, ha szivárog a motor. Vizsgálja meg rendszeresen a motort szivárgás szempontjából.
- Bánjon óvatosan az üzemanyaggal. Az üzemanyag gyúlékony, a gőzei robbanásveszélyesek, ezért súlyos, akár végzetes sérülést is okozhat.
- Ne lélegezze be az üzemanyag gőzeit, egészségkárosodást okozhatnak. Gondoskodjon megfelelő légáramlásról.
- Az üzemanyag vagy a motor közelében ne dohányozzon.
- Az üzemanyag vagy a motor közelébe ne tegyen forró tárgyakat.
- Ne tankoljon járó motornál.
- Várja meg a tankolással, amíg lehűl a motor.
- Tankolás előtt nyissa meg lassan a tanksapkát, engedje ki óvatosan a nyomást.
- Ne beltérben tankoljon. A nem elegendő mértékű légáramlás fulladás vagy szén-monoxid miatt egészségkárosodást, akár halált is okozhat.
- Kőrültekintően húzza meg a tanksapkát, különben tűz keletkezhet.
- Vigye legalább 3 m (10 láb) távolságra a terméket a tankolás helyétől, mielőtt beindítaná.
- Ne töltsen túl üzemanyaggal a terméket.
- Ügyeljen arra, hogy ne forduljon elő szivárgás, amikor a terméket vagy az üzemanyagtartályt mozgatja.
- Ne vigye olyan helyre a terméket vagy az üzemanyagtartályt, ahol nyílt láng, szikra vagy őrláng található. Győződjön meg arról, hogy a tárolás helyén nem található nyílt láng.
- Csak jóváhagyott tartályt használjon az üzemanyag szállítására vagy tárolására.
- Hosszú távú tárolás előtt ürítse ki az üzemanyagot a termékből. A lefejtett üzemanyag elhelyezésekor járjon el a hatályos helyi előírások szerint.
- Hosszú távú tárolás előtt tisztítsa meg a terméket.
- Húzza le a gyertyapipát, mielőtt a terméket elteszi, hogy a motor ne indulhasson be véletlenül.

Biztonsági utasítások a karbantartáshoz

- Vegye ki a gyújtógyertyát, mielőtt karbantartást végezne a terméken, kivéve a karburátor beállítását.
- A termék minden szervizelését márkakereskedő végezze, kivéve az itt található feladatokat: *KARBANTARTÁS 261. oldal*.
- Győződjön meg róla, hogy a gázadagoló kar elengedések a fűrészlánc leáll-e.
- A fogantyúkat tartsa szárazon, tisztán, olajtól vagy üzemanyag-keveréktől mentesen.
- Tartsa a sapkákat és egyéb rögzítőelemeket meghúzva.
- A nem jóváhagyott cserealkatrészek, valamint a biztonsági eszközök eltávolítása károsíthatja a terméket. A kezelő vagy a közelben állók sérülését is

okozhatja. Csak az ajánlott tartozékokat és pótalkatrészeket használja. Ne végezzen módosításokat a terméken.

- A biztonságos és nagy teljesítményű működés érdekében tartsa a fűrészláncot élesen és tisztán.
- Kövesse a kenésre és tartozékcserére vonatkozó utasításokat.
- Ellenőrizze, hogy a termék sérülésmentes-e. Mielőtt a terméket ismét használatba venné, győződjön meg arról, hogy a védőburkolat és az egyéb elemek is megfelelően működnek. Keressen eltört vagy helytelenül igazított elemeket, illetve olyan elemeket, amelyek szabad mozgása akadályozott. Keressen további olyan pontokat, amelyek hatással lehetnek a

termék használatára. Győződjön meg arról, hogy a termék beállítása megfelelő. A sérült védőburkolatokat és egyéb alkatrészeket csak márkakereskedő javíthatja vagy cserélheti, kivéve, ha erről a használati utasítás másképp rendelkezik.

- Ha nem használja a terméket, tartsa száraz helyen, valamint magasan, vagy más módon gyermekektől elzárva.
- A termék szállítása és tárolása során használjon védőlemez-burkolatot vagy tokot.
- Ne használjon fáradt olajat. A fáradt olaj veszélyt jelenthet önre, valamint káros hatással lehet a termékre és a környezetre is.

ÖSSZESZERELÉS



FIGYELMEZTETÉS: Figyelmesen olvassa el a biztonságról szóló fejezetet, mielőtt használni kezdené a terméket.

A vezetőlemez és a fűrészlánc összeszerelése

1. A termék véletlen elindítását elkerülendő, vegye le a gyertyapipát a gyújtógyertyáról az összeszerelés idejére. (ábra 39) (ábra 40)
2. Távolítsa el a vezetőlemezt rögzítő anyacsavarokat és a tengelykapcsoló fedelét. Távolítsa el a szállítóburkolatot (A). (ábra 41)
3. Helyezze a vezetőlemezt a lemezcsonk fölé. Helyezze a vezetőlemezt a leghátsó pozícióba.
4. Vegyen fel láncfűrész vágás ellen védő kesztyűt.
5. Emelje a fűrészláncot a csillagkerék fölé és helyezze a vezetőlemez vajatába. Kezdje a vezetőlemez felső élén. (ábra 42)
6. A vágószemek fogai a vezetőlemez felső felén mutatssanak előre.
7. Szerelje fel a tengelykapcsoló fedelét, és helyezze a láncfeszesség állító tüskéjét a vezetőlemezen lévő nyílásba.

8. Ellenőrizze, hogy a fűrészlánc meghajtószemei megfelelően illeszkednek-e a csillagkerékre. Ellenőrizze azt is, hogy a fűrészlánc megfelelően rögzült-e a vezetőlemez vajatában.
9. Szorítsa meg kézzel a vezetőlemezt rögzítő anyacsavarokat.
10. Feszítse meg a fűrészláncot: csavarja a láncfeszítő csavart az óramutató járásával egyező irányba a kombinált csavarkulcs segítségével. Addig feszítse a fűrészláncot, amíg már nem lóg a vezetőlemez alatt, de még kézzel is könnyen tudja fordítani. (ábra 43) és (ábra 44)
11. Tartsa felfelé a vezetőlemez végét, és húzza meg a vezetőlemez rögzítőanyait a kombinációs csavarkulccsal. (ábra 45)
 - Gyakran ellenőrizze a lánc feszességét új fűrészlánc felszerelése után egészen addig, amíg a láncot be nem járatta.
 - Rendszeresen ellenőrizze a lánc feszességét. A megfelelő feszesség megfelelő vágási teljesítményt és hosszú élettartamot eredményez.

HASZNÁLAT



FIGYELMEZTETÉS: Olvassa el és értelmesse a biztonságról szóló fejezetet, mielőtt használni kezdené a terméket.

Az üzemanyag használata



VIGYÁZAT: A termékben kétütemű motor működik. Használjon üzemanyagként benzint és kétütemű motorolaj keverékét. Ügyeljen a megfelelő keverési arányra. A benzint és az olaj nem megfelelő aránya károsíthatja a motort.

Az üzemanyag-keverék aránya

A benzin és a kétütemű motorolaj üzemanyag-keverékének aránya 50:1 (2%).

Benzin	Kétütemű motorolaj
1 amerikai gallon	77 ml (2,6 oz)
1 angol gallon	95 ml (3,2 oz)
5 l	100 ml (3,4 oz)

Keverék üzemanyag előállítás

1. Határozza meg a benzin és motorolaj helyes mennyiségét (50:1 keverék). Egyszerre ne keverjen be több üzemanyagot, mint amit 30 nap alatt elhasznál. Lásd *Az üzemanyag-keverék aránya258. oldalon*.
2. Öntse a szükséges üzemanyag felét egy túlsordulásvédelmi szeleppel ellátott tiszta üzemanyagtartályba.



VIGYÁZAT: Ne használjon olyan benzint, ami több mint 10% etanolt tartalmaz (E10). Ezzel kárt tehet a termékben.



VIGYÁZAT: Ne használjon 90 RON (87 AKI) oktánszámúnál gyengébb benzint. Ezzel kárt tehet a termékben.

Megjegyzés: Használjon magasabb oktánszámú benzint, ha gyakran használja a terméket folyamatosan magas fordulatszámon.

3. Öntse a kétütemű motorolaj teljes mennyiségét az üzemanyagtartályba.



VIGYÁZAT: Mindig jó minőségű, léghűtéses kétütemű motorolajat használjon. Más olajok kárt tehetnek a termékben.

4. Rázza össze az üzemanyag-keveréket, hogy az alkotóelemek összekeveredjenek.
5. Öntse a maradék benzint az üzemanyagtartályba.
6. Rázza össze az üzemanyag-keveréket, hogy az alkotóelemek összekeveredjenek.
7. Töltse fel a termék üzemanyagtartályát az üzemanyag-keverékkel. Lásd *Az üzemanyag-keverék aránya258. oldalon*.

Az üzemanyagtartály feltöltése

1. Ellenőrizze, hogy az üzemanyag-keverék megfelelő-e, és azt, hogy a keverék túlsordulásvédelmi szeleppel ellátott üzemanyagtartályban van-e.
2. Ha üzemanyag maradt a tartályban, távolítsa el és szárítsa ki a tartályt.
3. A tanksapka körüli területet tisztítsa le.
4. Vegye le az üzemanyagtartály sapkáját. (ábra 46)
5. Rázza össze maga előtt az üzemanyagtartályt, és tankolja meg a gépet az üzemanyag-keverékkel.
6. Helyezze vissza az üzemanyagtartály sapkáját.

A fűrészlánc kenése

A termék automatikus kenési rendszerrel rendelkezik. Mindig megfelelő láncolajat használjon és mindig tartsa be az utasításokat.

1. Növényi láncolajat vagy hagyományos láncolajat használjon.
2. Gondoskodjon arról, hogy a láncolaj tartályának sapkája körüli terület tiszta legyen.
3. Vegye le a lánckenő olaj tartályának sapkáját.
4. Töltse fel a láncolaj tartályát az ajánlott láncolajjal.
5. Tegye vissza a láncolaj tartályának sapkáját.

A motor beindítása előtt

- Vizsgálja át a terméket hiányzó, sérült, meglazult vagy elhasználódott alkatrészek tekintetében.
- Ellenőrizze az anyákat és csavarokat.
- Ellenőrizze a levegőszűrőt.
- Ellenőrizze a gázadagoló reteszének és a gázadagolóknak a megfelelő működését.
- Ellenőrizze a leállító kapcsoló megfelelő működését.
- Ellenőrizze a terméket, nem szívárogo-e belőle az üzemanyag.
- Ellenőrizze a fűrészlánc élességét és feszességét.

Hideg motor indítása

1. Mozdítsa előre az első kézvédőt a láncfék aktiválásához. (ábra 47)
2. Húzza ki, majd emelje felfelé a szívatókart.
3. Nyomja meg 6-szer az üzemanyagpumpát. (ábra 48)
4. Nyomja a géptestet bal kézzel a talajnak. Ne lépjen rá a termékre. Húzza ki lassan az indítózsínort, amíg ellenállást nem érez, majd folytassa erőből a meghúzását. (ábra 49)

Megjegyzés: Ne húzza a gázadagolót a motor indítása közben.

5. Folytassa az indítózsínór húzását, amíg a motor be nem indul vagy megpróbál beindulni (max. 3 húzás). Ha indul a motor vagy próbál indulni, nyomja le a hidegindító kart üzemelés állásba. (ábra 50)



VIGYÁZAT: Az indítózsínórt ne húzza ki ütközésig. Az indítózsínór kihúzását követően ne engedje el a zsínór fogantyúját. Engedje vissza lassan az indítózsínórt. Ha nem így tesz, a motor károsodhat.

6. Folytassa az indítási kísérleteket az indítózsínórral, amíg a motor beindul. Miután a motor beindult, hagyja 60 másodpercig járni, mielőtt gázt ad.
7. A láncfék kikapcsolásához húzza hátra az első kézvédőt az elülső fogantyúhoz.
8. Jobb kezével fogja meg a hátsó fogantyút, bal kezével az elülső fogantyút.
9. Használja a terméket.

Meleg motor indítása

1. Mozdítsa előre az első kézvédőt a láncfék aktiválásához. (ábra 51)
2. Húzza ki, majd emelje felfelé a szívatókart.
3. Nyomja meg 6-szer az üzemanyagpumpát. (ábra 52)
4. Nyomja le a szívatókart. (ábra 53)
5. Nyomja a géptestet bal kézzel a talajnak. Ne lépjen rá a termékre. Húzza ki lassan az indítózsinórt, amíg ellenállást nem érez, majd folytassa erőből a meghúzását. (ábra 54)



VIGYÁZAT: Ne húzza ki ütközésig az indítózsinórt. Az indítózsinór kihúzását követően ne engedje el a zsinór fogantyúját. Engedje vissza lassan az indítózsinórt. Tartsa be ezeket az utasításokat a motor épségének megőrzése érdekében.

Megjegyzés: Ne húzza a gázadagolót a motor indítása közben.

6. Folytassa az indítózsinór húzását, amíg a motor be nem indul vagy megpróbál beindulni (max. 3 húzás). Miután a motor beindult, hagyja 60 másodpercig járni, mielőtt gázt ad.
7. A láncfék kikapcsolásához húzza az első kézvédőt hátra, az előlő fogantyú irányába.
8. Jobb kezével fogja meg a hátsó fogantyút, bal kezével az előlő fogantyút.
9. Használja a terméket.

A motor beindítása forró üzemanyag mellett

Ha a termék nem indul be, az üzemanyag túl forró lehet.

Megjegyzés: Mindig új üzemanyagot használjon, és kerülje a használatot meleg időben.

1. Tegye a terméket hűvös helyre, közvetlen napsütéstől távol.
2. Hagyja, hogy a termék legalább 20 percen át hűljön.
3. 10-15 másodpercen át nyomja le az üzemanyagpumpát többször egymás után.
4. Kövesse a hideg motor indításának lépéseit. Lásd *Hideg motor indítása 259. oldalon.*

Leállítás

- A motor leállításához nyomja meg a leállítókapcsolót.

Megjegyzés: A leállítókapcsoló magától visszaáll alaphelyzetbe.

A rönktámasz használata

A rönktámasz megelőzi a visszarugást és egy helyben tartja a fát vágás közben. A rönktámasz a motorház és a vezetőlemez között nyújt támaszt.

1. Helyezze a rönktámasz alsó részét a töréslépcső megfelelő szélességéhez.
2. Bal kezével tartson ellen az előlő fogantyúnak, közben jobb kezével emelje a hátsó fogantyút.
3. Vágjon, amíg el nem érte a megfelelő töréslépcső-szélességet.

Megjegyzés: A sarokpont vastagságának egyenletesnek kell lennie.

4. Vágja át az átmérő több mint felét, majd helyezze a döntőéket a vágatba.

Fák kivágása

1. Távolítsa el a fáról a szennyeződések, köveket, laza kérget, szögeket és huzalokat.
2. Készítsen egy bevágást a dőlési irányra merőlegesen, amelynek mérete a fa átmérőjének 1/3-a legyen. (ábra 55)
3. Készítse el az alacsonyabb vízszintes hajkvágást. Ezzel elkerülheti a fűrészlánc és a vezetőlemez becsipődését a második bevágás elkészítésekor.
4. A hátsó döntővágás (X) legalább 50 mm-rel (2") magasabban legyen, mint a vízszintes hajkvágás. Tartsa a hátsó döntővágást a vízszintes hajkvágásra párhuzamosan, hogy elegendő fa maradjon töréslépcsőnek. Ne vágja át a töréslépcsőt. A töréslépcső akadályozza meg, hogy a fa megcsavarodjon és helytelen irányba dőljön. (ábra 56) és (ábra 57)
5. Ahogyan a hátsó döntővágás a töréslépcsőhöz közelít, a fa dőlni kezd. Győződjön meg arról, hogy a fa ki tud dőlni a helyes irányba, és nem fog hátralengeni, beszorítva ezzel a fűrészláncot. Ezt elkerülheti, ha abbahagyja a vágást a hátsó döntővágás befejezése előtt. Használjon fa-, műanyag vagy alumíniuméket a vágat felnyitására, és hagyja, hogy a fa a szükséges dőlési vonal mentén dőljön ki. (ábra 58)
6. Ha a fa dőlni kezdett, vegye ki a terméket a vágatból. Állítsa le a motort, tegye le a terméket, majd használja a tervezett menekülési útvonalat. Figyeljen a leeső ágakra, és óvatosan lépjen. (ábra 59)

Fák ágazása

1. Tartsa a törzset a föld felett nagyobb ágak segítségével.
2. A kisebb ágakat egyetlen vágással távolítsa el. (ábra 60)
3. A feszülő ágakat lentől felfelé vágja le, hogy elkerülhesse a fűrészlánc vagy a vezetőlemez becsipődését.

Fák darabolása



VIGYÁZAT: Ne hagyja, hogy a fűrészlánc a földhöz érjen.

- Ha a törzs alátámasztott a teljes hossza mentén, vágjon a törzs teteje felől kezdve. (ábra 61)
- Ha a törzs csak az egyik végén van alátámasztva, vágja át a törzs átmérőjének 1/3-át a törzs alatt.
- Ha a törzs mindkét végén alá van támasztva, vágja át az átmérő 1/3-át fentről. Fejezze be a vágást a

törzs alsó 2/3-ának átvágásával, tehát az első vágás elérésével. (ábra 62)

- Ha lejtőn végez darabolást egy fatörzsen, mindig a törzs felett helyezkedjen el a lejtőn. Vágja át a törzset – ügyelve, hogy megtartsa uralmát a termék felett. Ezt követően szüntesse meg a vágási nyomást a vágás végéhez közeledve, miközben szorosan tartja a hátsó és az elülső fogantyút. (ábra 63)

KARBANTARTÁS



FIGYELMEZTETÉS: A termék javítása vagy karbantartása előtt olvassa el és értelmezze a biztonsággal foglalkozó fejezetet.

Karbantartási ütemterv

Feltétlenül tartsa be a karbantartási ütemtervet. Az intervallumok meghatározásakor a termék napi használatát feltételeztük. Ha nem használja a terméket naponta, az intervallumok eltérőek. Csak azt a karbantartási munkát végezze el, amire a kézikönyvben utasítást talál. A kézikönyvben nem található egyéb karbantartási munkákkal keresse fel a hivatalos szakszervizt.

Napi karbantartás

- Tisztítsa meg a külső felületeket.
- Ellenőrizze a gázadagoló reteszének és a gázadagoló helyes működését.
- Tisztítsa le a láncfeket és ellenőrizze a fék helyes működését.
- Ellenőrizze a láncfogó épségét. Ha a láncfogó sérült, cserélje.
- Az egyenletes kopás érdekében minden nap fordítsa el a vezetőlemezt.
- Győződjön meg arról, hogy a vezetőlemez kenőjárata nincs-e eltömődve.
- Távolítsa el a fűrészport és más nem kívánatos anyagot a csillagkeres burkolat alól.
- Tisztítsa meg a vezetőlemez vajatát. (ábra 64)
- Győződjön meg arról, hogy a vezetőlemez és a fűrészlánc elegendő olajhoz jut.
- Vizsgálja meg a fűrészláncot:
 - keressen repedéseket a szegecseken és a hevedereken.
 - keressen egyenetlen kopást a szegecseken és a hevedereken.
 - ellenőrizze, hogy megfelelő-e a feszesség.
 - ellenőrizze, hogy a csillagkerék meghajtószemein nincs-e sorja.

Ha szükséges, cserélje a fűrészláncot.

- Élezze meg a fűrészláncot. Lásd *A fűrészlánc élezése262. oldalon.*
- Ellenőrizze, hogy a csillagkerék nem túlságosan kopott-e, és ha szükséges, cserélje. (ábra 65)
- Tisztítsa meg motorház légbeszívó nyílását.
- Ellenőrizze, hogy az anyák és csavarok szorosan rögzülnek-e.
- Ellenőrizze az indítógomb helyes működését.

Heti karbantartás

- Ellenőrizze a hűtőrendszer helyes működését.
- Ellenőrizze az indító, az indítószinór és a visszahúzórugó megfelelő működését.
- Ellenőrizze, hogy nem sérültek-e a rezgéscsillapító elemek.

(ábra 66)

- Reszelje le az esetlegesen kialakult sorjakat a vezetőlemez széleiről.
- Tisztítsa meg, vagy cserélje ki a hangtompító szikrafogóját.

(ábra 67)

- Tisztítsa meg a karburátor külső felületeit és a környezetét.
- Légszűrő tisztítása. Ha a légszűrő megsérült, vagy túl piszkos ahhoz, hogy megtisztítsák, cserélje le a légszűrőt. További információk: *A levegőszűrő megtisztítása262. oldalon.*

Havi karbantartás

- Ellenőrizze, hogy nem kopott-e el a láncfék fékszalagja. Cserélje a fékszalagot, ha a leginkább kopott részén vékonyabb 0,6 mm-nél.

(ábra 68)

- Keressen kopást a tengelykapcsoló közepén, a tengelykapcsoló dobon és a tengelykapcsoló rugón.
- Tisztítsa meg a gyújtógyertyát. Ellenőrizze, hogy megfelelő-e a szikraköz.

(ábra 69)

- Tisztítsa meg a karburátor külső felületeit és a környezetét.
- Ellenőrizze az üzemanyagszűrőt és az üzemanyag-vezetékét. Ha szükséges, cserélje ki.
- Ürítse ki a benzintartályt.
- Ürítse ki az olajtartályt.
- Ellenőrizze az összes kábelt és csatlakozót.

Éves karbantartás

- Ellenőrizze a gyújtógyertyát.
- Tisztítsa meg a karburátor külső felületeit és a környezetét.
- Tisztítsa ki a hűtőrendszert.
- Ellenőrizze a szikrafogó hálót.
- Ellenőrizze az üzemanyagszűrőt.
- Ellenőrizze az üzemanyag-vezeték épségét.
- Ellenőrizze az összes kábelt és csatlakozót.

Időszakos karbantartás

- 50 munkaóra után javíttassa meg vagy cseréltesse ki hivatalos szakszervizben a kipufogódobot.
- Végezzen karbantartást a gyújtógyertyán, ha:
 - a motor teljesítménye alacsony.
 - a motor indítása nehézkes.
 - egyetlen a motor alapjárata.
- Minden üzemanyagtöltés után ellenőrizze a fűrészlánc kenését. Lásd *A fűrészlánc kenésének ellenőrzése* 263. oldalon.

Az alapjárat fordulatszám beállítása

Az alapjárat fordulatszám beállítása előtt gondoskodjon arról, hogy tiszta legyen a levegőszűrő és fel legyen szerelve a légszűrő fedél.

1. Fordítsa a T-vel jelölt alapjárat-beállító csavart jobbra, amíg a fűrészlánc fordulni nem kezd.
2. Fordítsa a T-vel jelölt alapjárat-beállító csavart balra, amíg a fűrészlánc meg nem áll.
3. Az alapjárat fordulatszámnak alacsonyabbnak kell lennie a fűrészlánc forgásához szükséges fordulatszámnál. Az alapjárat fordulatszám akkor van helyesen beállítva, ha a motor minden helyzetben egyenletesen jár.

A szikrafogó háló karbantartása

- A szikrafogó háló tisztítását végezze drótkéfével. (ábra 70)

A gyújtógyertya karbantartása



VIGYÁZAT: Használjon ajánlott típusú gyújtógyertyát. Az új gyertya egyezzen meg a gyártó által biztosított alkatrészsel. A nem megfelelő gyújtógyertya károsíthatja a terméket.

1. Ha a termék nehezen indul vagy nehezen kezelhető, ellenőrizze, hogy nincs-e szennyeződés a gyújtógyertyán. A gyújtógyertya elektródái közötti lerakódások kialakulásának csökkentése érdekében:
 - a) gondoskodjon az alapjárat fordulatszám megfelelő beállításáról;
 - b) gondoskodjon a megfelelő üzemanyag-keverékről;
 - c) gondoskodjon a levegőszűrő tisztaságáról.
2. Tisztítsa meg a gyújtógyertyát, ha elszennyeződött. Ellenőrizze, hogy megfelelő-e a szikraköz. (ábra 71)
3. Szükség esetén cserélje ki a gyújtógyertyát.

A levegőszűrő megtisztítása

1. Távolítsa el a levegőszűrő fedelét és a levegőszűrőt. (ábra 72)
2. Meleg szappanos víz segítségével tisztítsa meg a levegőszűrőt. A levegőszűrőt teljesen szárazon szerelje csak vissza.
3. Cserélje ki a levegőszűrőt, ha túlságosan elszennyeződött a kitisztításához. Mindig cserélje ki a sérült levegőszűrőt.

A fűrészlánc élezése

A vágófej

A lánc vágórészét vágószemnek nevezik, ez a vágófogból (A) és a mélységhatárolóból (B) áll. A vágásmélységet e két részegység magasságkülönbsége (C) határozza meg.

(ábra 73)

A vágófogak élezésekor négy fontos tényezőt kell szem előtt tartani:

- Reszelési szög.

(ábra 74)

- Vágási szög.

(ábra 75)

- Reszelőpozíció.

(ábra 76)

- Hengeres reszelő átmérője.

(ábra 77)

A vágófogak élezése

A vágófogakat hengeres reszelővel és reszelőszablonnal élezze meg. A termékére szerelt fűrészláncához ajánlott reszelő- és sablonméretekkel kapcsolatban itt talál további információkat: *A fűrészlánc reszelése és a fűrészlánc-kombinációk* 265. oldalon.

(ábra 78)

1. Ellenőrizze, hogy a fűrészlánc feszessége megfelelő-e. Ha a fűrészlánc feszessége nem megfelelő, a lánc oldalra mozdul, és nem élezhető megfelelően.

2. A reszelőt az egyik oldal minden fogán használja. Ezt követően használja a reszelőt a vágófogakon a belső oldalról, majd csökkentse a nyomást a visszahúzáskor.
3. Fordítsa meg a terméket és használja a reszelőt a fogakon.
4. Biztosítsa a reszelő segítségével a fogak egyenlő hosszúságát. Cserélje az elkopott fűrészláncot, ha a vágófogak hossza 4 mm (5/32") alá csökken.

A mélységátaroló beállításának módosítása

A mélységátaroló módosítása előtt élezze meg a vágófogakat. Lásd *A vágófogak élezése* 262. oldalon. A vágófogak (A) élezésével a mélységátaroló (B) beállítása csökken. A vágási teljesítmény fenntartásához a mélységátarólót az ajánlott magasságig vissza kell reszelni. A használt láncnak megfelelő mélységátaroló-beállítást a következő segítségével találhatja meg: *A fűrészlánc reszelése és a fűrészlánc-kombinációk* 265. oldalon.

(ábra 79)
(ábra 80)

Megjegyzés: Ez a javaslat feltételezi, hogy a vágófogak hossza nem csökken túlzott mértékben.

Lapos reszelőt és mélységátaroló eszközt használjon a mélységátaroló beállításához.

1. Helyezze a mélységátaroló eszközt a fűrészlánc fölé. A mélységátaroló használatával kapcsolatos tudnivalókat a mélységátaroló csomagolásán találja.
2. A lapos reszelő használatával reszelje le a mélységátaroló kiálló részéről a felesleget. A mélységátaroló távolsága akkor helyes, ha nem érez ellenállást, amikor a reszelőt végighúzza a sablonon.

A fűrészlánc feszítése

Megjegyzés: Bejáratási ideje alatt ellenőrizze az új fűrészláncok feszességét.

1. Lazítsa meg a vezetőlemez orrkerékfedőt tartó anyacsavarjait. Használja a kombinált csavarkulcsot. (ábra 81)
2. Húzza meg a vezetőlemez anyacsavarjait kézzel, amilyen erősen csak tudja.
3. Emelje fel a vezetőlemez felső részét, és húzza ki a fűrészláncot a láncfeszítő csavar megszorításával. Használja a kombinált csavarkulcsot. Szorítsa a fűrészláncot addig, amíg már nem lóg le a vezetőlemez alsó részén. (ábra 82)
4. Szorítsa meg a vezetőlemez anyacsavarjait a kombinációs csavarkulccsal, és eközben emelje fel a vezetőlemez csúcsát. (ábra 83)
5. Győződjön meg arról, hogy szabadon tudja húzni a fűrészláncot kézzel, és hogy a lánc nem lóg le. (ábra 84)

A vágószerkezet kenése

A fűrészlánc kenésének ellenőrzése

Minden üzemanyagöltés után ellenőrizze a fűrészlánc kenését.

1. Indítsa el a terméket, és hagyja járni 3/4 fordulaton. Helyezze a vezetőlemez orrát világos színű felület felé, kb. 20 cm-es (8") távolságra.
2. Körülbelül 1 perc járás után olajcsík jelenik meg a világos felületen.
3. Ha nem lát olajcsíkot 1 perc után, tisztítsa meg az olajcsatornát a vezetőlemezben. Tisztítsa meg a vezetőlemez szélének vajatát. Győződjön meg arról, hogy a vezetőlemez orrkereke szabadon fordul, és semmi sem dugítja el a kenőjáratot. Tisztítsa meg, és kenje át az orrkereket.
4. Indítsa el a terméket, és hagyja járni 3/4 fordulaton. Helyezze a vezetőlemez orrát világos színű felület felé, kb. 20 cm-es (8") távolságra.
5. Körülbelül 1 perc járás után olajcsík jelenik meg a világos felületen.
6. Ha nem lát olajcsíkot 1 perc után, vegye fel a kapcsolatot márkakereskedőjével.

SZÁLLÍTÁS

- Szállítás előtt ürítse ki az üzemanyag- és a láncolajtartályt. Megfelelő módon gondoskodjon a használt folyadékokról.
- Szállításhoz helyezze a vezetőlemez fedelét a vágófelszerelésre. Így elkerülheti, hogy véletlenül hozzáérjenek az éles fűrészláncokhoz. A használaton

kívüli termék is sérülést okozhat, ha hozzáérnek az éles fűrészláncokhoz.

- Szállítás előtt távolítsa el a gyertyapipát a gyújtógyertyáról és kapcsolja be a láncféket.
- Biztosítsa, hogy a termék ne mozdulhasson el szállítás közben.

TÁROLÁS

- Mindig biztonságos helyen tárolja a terméket. A termékből szivárgó és gőzölgő anyagok szikrárt érhetnek, vagy elektromos berendezésekből

származó lángot, elektromos fűnyírót, reléket/ kapcsolókat, boilereket stb.

- Mindig megfelelő tartályban tárolja az üzemanyagot.

- Ha a terméket hosszabb ideig tárolja, ürítse ki az üzemanyag-és olajtartályt. Megfelelő módon gondoskodjon a használt folyadékokról.
- Tároláshoz helyezze a vezetőlemez fedelét a vezetőlemezre. Így elkerülheti, hogy véletlenül

hozzáérjenek az éles fűrészláncához. A használaton kívüli termék is sérülést okozhat, ha hozzáérnek az éles fűrészláncához.

- Tárolás előtt távolítsa el a gyertyapipát a gyújtógyertyáról és kapcsolja be a láncféket.

MŰSZAKI ADATOK

	mértékegység	130 (H13038HV)	135 Mark II (H13038HV)
A motor adatai			
Hengerűrtartalom	cm ³	38	38
Gyújtógyertya	—	NGK BPMR 7A	NGK BPMR 7A
Elektródahézag	mm (in)	0,5 (0,02)	0,5 (0,02)
Üzemanyagtartály űrtartalma	cm ³	350	350
Alapjárat fordulatszám	min ⁻¹	2800–3200	2800–3200
Teljesítmény 9000 min ⁻¹ mellett	kW	1,5	1,6
Kibocsátástartóssági időtartam	óra	125	125
Zaj és vibráció adatai			
Egyenértékű rezgésszint (ahv, eq), bal fogantyú ⁸⁶	m/s ²	3,72	3,72
Egyenértékű rezgésszint (ahv, eq), jobb fogantyú ⁸⁷	m/s ²	5,5	5,5
Hangteljesítményszint, garantált (L _{WA}) ⁸⁸	dB(A)	116	116
Hangteljesítményszint, mért ⁸⁹	dB(A)	114	114
Zajnyomásszint a gépkezelő fülénél ⁹⁰	dB(A)	102	102
Termék méretei			
Tömeg (vágószerkezet nélkül)	kg	4,68 (10,3)	4,68 (10,3)
Olajtartály űrtartalma	cm ³	260	260
Üzemanyag- és olajozási rendszer			
Olajszivattyú kapacitása 9000 min ⁻¹ mellett	ml/perc	9	9
Olajszivattyú típusa	—	Automata	Automata

⁸⁶ Az ekvivalens rezgésszintet a rezgésszintek időhöz viszonyított összenergiájaként számítják ki, változó munkakörülmények között. Az ekvivalens rezgésszintre vonatkozó jelentési adatok az 1,5 m/s² tipikus statisztikus ingadozásával (szórásával) rendelkeznek.

⁸⁷ Az ekvivalens rezgésszintet a rezgésszintek időhöz viszonyított összenergiájaként számítják ki, változó munkakörülmények között. Az ekvivalens rezgésszintre vonatkozó jelentési adatok az 1,5 m/s² tipikus statisztikus ingadozásával (szórásával) rendelkeznek.

⁸⁸ A környezet zajszennyezése hangteljesítményként (L_{WA}) mérve.

⁸⁹ A környezet zajszennyezése hangteljesítményként (L_{WA}) mérve.

⁹⁰ Az ekvivalens hangnyomásszintet a különböző hangnyomásszintek időhöz viszonyított összenergiájaként számítják ki, változó munkakörülmények között. Az ekvivalens hangnyomásszint tipikus statisztikai eloszlása 2,5 dB(A) szórását mutat.

	mértékegység	130 (H13038HV)	135 Mark II (H13038HV)
Fűrészlánc és vezetőlemez			
Normál vezetőlemez hossza	cm (in)	35-40 (14-16)	35-40 (14-16)
Ajánlott vezetőlemez-hossz	cm (in)	35-40 (14-16)	35-40 (14-16)
Alkalmazható vágáshossz	cm (in)	33-38 (13-15)	33-38 (13-15)
Fűrészlánc maximális sebessége	m/s	22,3	22,3
Láncosztás	mm (in)	9,52 (3/8)	9,52 (3/8)
Meghajtószemek vastagsága (sablon)	mm (in)	1,3 (0,050)	1,3 (0,050)
Csillagkerék típusa	—	Homloklánckerék	Homloklánckerék
A csillagkerék fogainak száma	—	6	6

TARTOZÉKOK

Vezetőlemez és fűrészlánc kompozíciók

Vezetőlemez				Fűrészlánc	
Hosszúság	Fogosztás	Vastagság	Max. orrsugár	Típus	Meghajtószemek száma
14 hüvelyk	3/8 hüvelyk	0,050 hüvelyk	7T	Husqvarna H37	52
16 hüvelyk				Husqvarna S93G	56

A fűrészlánc reszelése és a fűrészlánc-kombinációk

Lánc típusa	Hengeres reszelő mérete	Oldalsó lemez szöge	Felső lemez szöge	Reszelővezető szöge	Mélységhatároló beállítása	Mélységhatároló cikkszám	Reszelőszablon cikkszám
H37, S93G	5/32" 4,0 mm	80°	30°	0°	0,025 / 0,65	5056981,-03	5052437,-01

AZ EK-MEGFELELŐSÉGI NYILATKOZAT TARTALMA

A Husqvarna AB, SE 561 82 Huskvarna, SVÉDORSZÁG a saját felelősségére kijelenti, hogy a jelzett termék:

Leírás	Benzines láncfűrész
Márka	Husqvarna

Leírás	Benzines láncfűrész
Platform / Típus / Modell	A 130 és a 135 Mark II típusúhoz tartozó H13038HV munkaállvány
Sarzs	2018-es és újabb sorozatszámok

teljes mértékben megfelelnek a következő EU-irányelveknek és rendeleteknek:

Irányelv/rendelet	Leírás
2006/42/EK	„gépre vonatkozó”
2014/30/EU	„elektromágneses megfelelőségre vonatkozó”
2000/14/EK	„kültéri zajkibocsátásra vonatkozó”
2011/65/EU	„bizonyos veszélyes anyagok alkalmazásának korlátozásával kapcsolatos”

Az alábbi harmonizált szabványok és/vagy műszaki előírások kerültek alkalmazásra: EN ISO 12100, EN ISO 11681-1, CISPR 12, ISO 14982

A zajértékek a 2000/14/EK irányelv V. mellékletének megfelelően a használati utasításban, a műszaki adatok fejezetben, valamint az aláírt EU-megfelelőségi nyilatkozatban található.

TÜV Rheinland LGA Products GmbH, bejelentett szervezet a gépekhez (0197 sz. bejelentés), Tillystraße 2 - 90431 Nürnberg, Németország, EK-típusvizsgálatot végzett a 2006/42/EK irányelv 12. cikkének 3b. pontja szerint.

Az aláírt megfelelőségi nyilatkozatban található típusvizsgálati tanúsítvány a IX. mellékletnek megfelelően a terméken jelzettek szerint minden gyártási helyre és országra érvényes.

Ez a láncfűrész megfelel az EK-típusvizsgálaton átesett példának.

Содержание

ВВЕДЕНИЕ.....	267	ТРАНСПОРТИРОВКА.....	279
МЕРЫ БЕЗОПАСНОСТИ.....	268	ХРАНЕНИЕ.....	279
СБОРКА.....	273	ТЕХНИЧЕСКИЕ ДАННЫЕ.....	279
ЭКСПЛУАТАЦИЯ.....	273	ПРИНАДЛЕЖНОСТИ.....	281
ТЕХНИЧЕСКОЕ ОБСЛУЖИВАНИЕ.....	276	СОДЕРЖАНИЕ ДЕКЛАРАЦИИ О СООТВЕТСТВИИ ЕС.....	281

ВВЕДЕНИЕ

Руководство по эксплуатации

Исходный текст данного руководства по работе составлен на английском языке. Руководства по

работе на других языках являются переводами с английского.

Обзор

(Рис. 1)

1. Крышка цилиндра
2. Груша
3. Табличка с обозначением изделия и серийного номера
4. Информационная наклейка
5. Выключатель
6. Задняя рукоятка
7. Топливный бак
8. Ручка шнура стартера
9. Кожух стартера
10. Указание направления падения
11. Бак масла для смазки цепи
12. Передняя рукоятка
13. Тормоз цепи и передний щиток для рук
14. Глушитель
15. Цепь пилы
16. Ведомая звездочка шины
17. Направляющая шина
18. Винт механизма натяжения цепи (130)
19. Винт механизма натяжения цепи (135 Mark II)
20. Зубчатый упор
21. Уловитель цепи
22. Кожух сцепления
23. Защита для правой руки
24. Дроссельный регулятор
25. Стопор дроссельного регулятора
26. Чехол направляющей шины
27. Комбинированный инструмент
28. Руководство по эксплуатации

Условные обозначения на изделии

(Рис. 2) Предупреждение

(Рис. 3) Прочтите данное руководство по эксплуатации

(Рис. 4) Используйте одобренный защитный шлем и средства защиты глаз и слуха

(Рис. 5) Используйте одобренные защитные перчатки

(Рис. 6) Изделие соответствует действующим директивам ЕС

(Рис. 7) Уровень мощности звука

(Рис. 8) Тормоз цепи, не включен (левый). Тормоз цепи, включен (правый)

(Рис. 9) Заслонка

(Рис. 10) Кнопка подкачивающего насоса

(Рис. 11) Повторная заправка

(Рис. 12) Точка смазки цепи

(Рис. 13) Изделие соответствует действующим директивам ЕАС

(Рис. 14) Изделие соответствует действующим директивам Украины

(Рис. 15) Изделие соответствует действующим директивам Кореи

(Рис. 16) Изделие соответствует действующим директивам Японии

(Рис. 17) Уровень шума

(Рис. 18) Прочно держите изделие обеими руками

(Рис. 19) Запрещается использовать изделие, держа его только одной рукой

(Рис. 20) Избегайте контакта с наконечником направляющей шины

(Рис. 21) Помните об отдаче

Изделие соответствует действующим директивам по электромагнитной совместимости Австралии и Новой

(Рис. 22) Зеландии.

Примечание: Остальные символы/этикетки на изделии отвечают требованиям, предъявляемым к сертификации в других коммерческих зонах.

Закон штата Калифорния 65

(Рис. 23)

ЕС V



ПРЕДУПРЕЖДЕНИЕ: В случае вмешательства в работу двигателя данное изделие перестанет соответствовать нормативам ЕС.

Ответственность изготовителя

В соответствии с законами об ответственности изготовителя мы не несем ответственности за ущерб, вызванный эксплуатацией нашего изделия в результате:

- ненадлежащего ремонта изделия;
- использования для ремонта изделия неоригинальных деталей или деталей, неодобренных производителем;
- использования неоригинальных дополнительных принадлежностей или неодобренных производителем;
- ремонта изделия в неавторизованном сервисном центре или неквалифицированным специалистом.

МЕРЫ БЕЗОПАСНОСТИ

Инструкции по технике безопасности

Ниже приведены определения уровня опасности для каждого сигнального слова.



ПРЕДУПРЕЖДЕНИЕ: Травмирование человека.



ВНИМАНИЕ: Повреждение изделия.

Примечание: Эта информация поможет упростить эксплуатацию изделия.

Общие инструкции по технике безопасности

- Пользуйтесь изделием правильно. Неправильное использование может привести к травме или смертельному исходу. Изделие предназначено только для выполнения работ, описанных в данном руководстве. Запрещается использовать изделие для других видов работ.
- Внимательно прочитайте инструкции в данном руководстве и следуйте им. Обращайте внимание на знаки безопасности и следуйте инструкциям по технике безопасности. Несоблюдение

оператором инструкций и знаков может привести к травме, повреждениям или смерти.

- Не выбрасывайте это руководство. Следуйте инструкциям по сборке, эксплуатации и уходу за изделием. Используйте эти инструкции для правильной установки насадок и дополнительных принадлежностей. Используйте только апробированные насадки и аксессуары.
- Не используйте поврежденное изделие. Соблюдайте график техобслуживания. Выполняйте самостоятельно только те работы по техобслуживанию, которые описаны в данном руководстве. Все другие работы по техобслуживанию должны выполняться авторизованным сервисным центром.
- В данное руководство невозможно включить все ситуации, которые могут возникнуть при использовании изделия. Будьте осторожны и руководствуйтесь здравым смыслом. Если вы не уверены в ситуации, не используйте изделие и не выполняйте его техобслуживание. Для получения необходимой информации обратитесь к специалисту по продукции, дилеру, специалисту по обслуживанию или в авторизованный сервисный центр.
- Отсоединяйте кабель свечи зажигания перед сборкой изделия, помещением его на хранение или проведением техобслуживания.
- Запрещается использовать изделие, если были изменены его исходные технические характеристики. Запрещено вносить изменения в

конструкцию изделия без одобрения производителя. Используйте только рекомендованные производителем детали. Неправильное техобслуживание может привести к травме или смертельному исходу.

- Не вдыхайте выхлопные газы двигателя. Продолжительное вдыхание выхлопных газов двигателя, испарений масла для смазки цепи и древесной пыли опасно для здоровья.
- Запрещается запускать изделие в помещении или рядом с легковоспламеняющимися материалами. Выхлопные газы имеют высокую температуру и могут содержать искры, которые в свою очередь могут привести к пожару. Недостаточная вентиляция может привести к травме или смерти в результате удушья или отравления угарным газом.
- Во время работы данное изделие создает электромагнитное поле. Электромагнитное поле может привести к повреждению медицинских имплантатов. Проконсультируйтесь с врачом и изготовителем имплантата перед использованием изделия.
- Не позволяйте детям использовать изделие.
- Не разрешайте пользоваться изделием людям, которые не знакомы с данными инструкциями.
- Не оставляйте без присмотра людей с физическими или умственными нарушениями, использующих изделие. Они должны постоянно находиться под присмотром взрослого.
- Храните изделие в месте, недоступном для детей и лиц, не имеющих разрешения на использование.
- Во время работы изделие может отбрасывать находящиеся на земле предметы, что может привести к травме. Чтобы уменьшить риск получения серьезных или смертельных травм, соблюдайте инструкции по технике безопасности.
- Запрещается оставлять изделие с работающим двигателем без присмотра. Остановите двигатель и убедитесь, что цепь не вращается.
- При возникновении несчастного случая ответственность несет оператор изделия.
- Перед использованием изделия проверьте детали на отсутствие повреждений.
- Соблюдайте требования национальных или местных законов. В некоторых случаях они могут запрещать или ограничивать использование изделия.

Инструкции по технике безопасности во время эксплуатации

- Непрерывная или регулярная эксплуатация изделия может привести к "синдрому белых пальцев" или аналогичным заболеваниям, вызванным воздействием вибрации. При продолжительном или регулярном

использовании изделия периодически проверяйте состояние своих ладоней и пальцев. При обнаружении таких симптомов, как изменение цвета кожи, боль в ладонях или пальцах, покалывание или потеря чувствительности, немедленно прекратите работу и обратитесь за медицинской помощью.

- Прежде чем использовать изделие, убедитесь, что оно полностью собрано.
- Изделие может отбрасывать находящиеся на земле предметы, что может причинить вред глазам. Всегда пользуйтесь одобренными средствами защиты глаз при использовании изделия.
- Будьте осторожны, во время работы к изделию может незаметно приблизиться ребенок.
- Не пользуйтесь изделием, если в рабочей зоне находятся другие люди. Выключайте изделие при входе другого человека в рабочую зону.

(Рис. 24)

- Всегда держите изделие под контролем.
- При работе с изделием держите его двумя руками. Запрещается работать с изделием, держа его только одной рукой. Работа с изделием одной рукой может стать причиной серьезной травмы оператора, рабочих, посторонних и т.д.
- Зажмите переднюю рукоятку левой рукой, а заднюю рукоятку – правой. Держите изделие с правой стороны от тела.

(Рис. 25)

- Ни в коем случае не используйте изделие, если вы устали, болиты или находитесь под воздействием спиртного или других наркотических веществ.
- Не пользуйтесь изделием, если вы не сможете получить помощь при несчастном случае. Прежде чем начать использовать изделие, всегда сообщайте об этом другим людям.
- Не поворачивайтесь с изделием, не убедившись в отсутствии людей или животных в опасной зоне.
- Перед началом работы уберите все посторонние материалы из рабочей зоны. При ударе цепи о предмет последний может отскочить и привести к травме или повреждению. Посторонние материалы могут намотаться на цепь и привести к повреждению.
- Запрещается пользоваться изделием в плохую погоду, например, при тумане, дожде, сильном ветре, опасности удара молнии и других погодных явлениях. Плохие погодные условия могут создавать опасные условия для работы, например, скользкие поверхности.
- Убедитесь, что вы можете свободно перемещаться и работать в устойчивом положении.

- Убедитесь в отсутствии риска падения во время использования изделия. Запрещается наклоняться во время эксплуатации изделия.
- Всегда держите изделие двумя руками. Зажмите переднюю рукоятку левой рукой, а заднюю рукоятку – правой. Держите изделие с правой стороны от тела.
- Если при запуске двигателя заслонка находится в закрытом положении, цепь начинает вращаться.
- Выключайте двигатель перед перемещением изделия.
- Запрещается класть изделие на землю с работающим двигателем.
- Перед тем как убрать посторонние материалы из изделия, остановите двигатель. Подождите, пока цепь остановится, прежде чем убирать срезанный материал.
- Не используйте данное изделие, если вы находитесь на дереве. Если оператор находится на дереве, использование данного изделия может привести к травме.

(Рис. 26)

- При запуске изделия тормоз цепи должен быть включен, чтобы снизить риск контакта с цепью пилы при запуске.

(Рис. 27)

- Избегайте отдачи, соскальзывания, отскокивания и проваливания, которые могут привести к серьезным травмам.
- Соблюдайте все инструкции по технике безопасности, чтобы предотвратить отдачу и другие силы, которые могут привести к серьезным травмам.
- Периодически регулируйте натяжение цепи пилы, чтобы предотвратить ее провисание. Слабо натянутая цепь может соскочить и нанести серьезные травмы или привести к смерти.
- При валке дерева обязательно действуйте в соответствии с правильной процедурой. В противном случае возможно травмирование людей, повреждение линии электропитания или имущества.
- Всегда оставайтесь с верхней стороны местности, т.к. поваленное дерево может скатиться вниз.

(Рис. 28)

- Перед началом выполнения резки запланируйте и очистите путь отхода. Путь отхода должен проходить в направлении назад и по диагонали от возможной траектории падения.

(Рис. 29)

- Всегда выключайте двигатель перед перемещением изделия от дерева к дереву.
- Всегда выбирайте устойчивое положение ног на земле и равномерно распределяйте свой вес.

(Рис. 30)

- При использовании изделия всегда сохраняйте устойчивое положение и работайте, только стоя на неподвижной и горизонтальной поверхности. Скользкие или неустойчивые поверхности, такие как лестницы, могут вызвать потерю равновесия или контроля над изделием.

(Рис. 31)

Отдача, соскальзывание, отскокивание и проваливание

Различные силы могут влиять на безопасное управление изделием.

- **Соскальзывание** наблюдается, когда направляющая шина быстро перемещается по дереву.
- **Отскокивание** наблюдается, когда направляющая шина отходит от дерева и касается его снова и снова.
- **Проваливание** наблюдается, когда изделие резко смещается вниз после выполнения резки. При этом работающая цепь может коснуться части тела или других предметов, что приводит к травмам или повреждениям.
- **Отдача** наблюдается, когда конец направляющей шины касается предметов и перемещается назад, вверх или резко вперед. Отдача также происходит, когда дерево смыкается и зажимает цепь пилы во время выполнения резки. Вы можете потерять управление, если изделие коснется какого-либо предмета в дереве.

(Рис. 32)

- **Вращательная отдача** возможна, когда работающая цепь касается предмета у вершины направляющей шины. Такой контакт может вызывать вхождение цепи в этот предмет, что сразу приводит к остановке цепи. В результате происходит очень быстрая обратная реакция, направляющая шина перемещается вверх и назад в направлении оператора.

(Рис. 33)

- **Отдача при заземлении** возможна, когда цепь пилы резко останавливается во время резки. Дерево смыкается и зажимает работающую цепь пилы вдоль верхней части направляющей шины. Внезапная остановка цепи приводит к изменению направления действия силы, прилагаемой со стороны цепи, на обратное и вызывает перемещение пилы в направлении, противоположном направлению вращения цепи. Изделие движется назад в направлении оператора.

(Рис. 34)

- **Втягивание** может произойти, если цепь пилы резко останавливается, когда работающая цепь касается предмета в дереве вдоль нижнего края направляющей шины. Внезапная остановка толкает пилу вперед, по направлению от оператора, что

может привести к потере управления инструментом.
(Рис. 35)

Прежде чем начать эксплуатацию изделия, убедитесь, что вы понимаете действие различных сил и знаете, как предотвратить их влияние. См. раздел *Предотвращение отдачи, соскальзывания, отскакивания и проваливания на стр. 271.*

Предотвращение отдачи, соскальзывания, отскакивания и проваливания

- Во время работы двигателя крепко держите изделие в руках. Держите правую руку на задней рукоятке, а левую руку — на передней рукоятке. Большие пальцы должны прочно охватывать ручки вместе с остальными пальцами. Не выпускайте изделие из рук.
- Контролируйте изделие во время выполнения резки и после того, как дерево упадет на землю. Не допускайте падения изделия после выполнения резки.
- Убедитесь, что участок, на котором выполняется резка, очищен от нагромождений. Не допускайте касания наконечником направляющей шины бревна, ветки или других нагромождений во время эксплуатации изделия. (Рис. 36)
- Выполняйте резку на высоких оборотах двигателя.
- Не вытягивайте руки с изделием слишком далеко и не выполняйте резку на уровне выше плеча. (Рис. 37)
- Соблюдайте инструкции по заточке и техническому обслуживанию производителя цепи пилы.
- Используйте в качестве замены только направляющие шины и цепи, одобренные производителем.
- Неправильная регулировка ограничителей глубины увеличивает риск отдачи цепи пилы.

Средства индивидуальной защиты

- Всегда используйте соответствующее защитное снаряжение при эксплуатации изделия. Средства индивидуальной защиты снижают тяжесть травм при несчастных случаях, но не исключают их полностью.
- Не надевайте свободную одежду, которая может попасть в цепь пилы.
- Используйте одобренный защитный шлем.
- Всегда надевайте одобренные защитные наушники при использовании изделия. Длительное воздействие шума может привести к снижению слуха.
- Пользуйтесь защитными очками или маской, чтобы уменьшить риск травмы отбрасываемыми предметами. Изделие может отбрасывать предметы, например, опилки и щепки, с большой

силой. Это может привести к серьезным травмам, в том числе глаз.

- Надевайте перчатки с защитой от пореза пилой.
- Надевайте брюки с защитой от пореза пилой.
- Надевайте ботинки с защитой от пореза пилой, металлическими носками и нескользящей подошвой.
- Всегда имейте при себе аптечку для оказания первой медицинской помощи.
- Глушитель, направляющая шина, цепь пилы или другие компоненты могут стать источником искр. Всегда держите поблизости противопожарные средства и лопату для предотвращения лесных пожаров.

Защитные устройства на изделии

- Запрещается эксплуатировать изделие, если защитное оборудование повреждено. При повреждении изделия обращайтесь в авторизованный сервисный центр.

Проверка выключателя двигателя

1. Запустите двигатель. См. раздел *Перед запуском двигателя на стр. 274.*
2. Убедитесь, что двигатель останавливается при установке выключателя в положение остановки.

Проверка стопора рычага дросселя

1. Убедитесь, что рычаг дросселя (B) заблокирован в положении холостого хода в момент отпускания стопора рычага дросселя (A) (Рис. 38).
2. Нажмите на стопор рычага дросселя (A) и удостоверьтесь, что он возвращается в первоначальное положение при его освобождении.
3. Нажмите на рычаг дросселя (B) и удостоверьтесь, что он возвращается в первоначальное положение при его освобождении.
4. Запустите двигатель и полностью откройте дроссель.
5. Отпустите рычаг дросселя и проверьте, остановилась ли цепь пилы.
6. Если после установки дросселя в положение холостого хода цепь пилы продолжает вращаться, следует проверить винт регулировки холостого хода карбюратора.

Щиток

Щиток предотвращает выброс предметов в сторону оператора. Кроме того, он защищает пользователя от случайного соприкосновения с цепью пилы.

- Убедитесь, что щиток предназначен для эксплуатации вместе с данным изделием.
- Запрещается использовать изделие без щитка.

- Проверьте щиток на наличие повреждений. Замените щиток, если он изношен или поврежден.

Правила безопасного обращения с топливом

- Запрещается запускать изделие, если на него попало топливо или моторное масло. Удалите постороннее топливо/масло и дайте изделию высохнуть. Удалите постороннее топливо с поверхности изделия.
- Если топливо попало на одежду, немедленно смените ее.
- Не допускайте попадания топлива на тело, это может причинить вред здоровью. При попадании топлива на тело смойте его водой с мылом.
- Запрещается запускать двигатель, если вы пролили масло или топливо на изделие или тело.
- Запрещается запускать изделие при наличии утечки из двигателя. Регулярно проверяйте двигатель на наличие утечек.
- Соблюдайте осторожность при обращении с топливом. Топливо является легковоспламеняющейся жидкостью со взрывоопасными парами и может привести к серьезным или смертельным травмам.
- Запрещается вдыхать пары топлива, т. к. это может причинить вред здоровью. Убедитесь в наличии достаточного потока воздуха.
- Запрещается курить вблизи топлива или двигателя.
- Запрещается ставить теплые предметы рядом с топливом или двигателем.
- Запрещается доливать топливо при работающем двигателе.
- Прежде чем заправить изделие, убедитесь, что двигатель полностью остыл.
- Перед заправкой топлива медленно откройте крышку топливного бака и осторожно сбросьте давление.
- Запрещается заливать топливо в двигатель в помещении. Недостаточная вентиляция может привести к травме или смерти в результате удушья или отравления угарным газом.
- Аккуратно затяните крышку топливного бака во избежание возгорания.
- Переместите изделие минимум на 3 м (10 футов) от места заправки топливом, прежде чем запустить его.
- Не наливайте в топливный бак слишком много топлива.
- Убедитесь, что при перемещении изделия или емкости для топлива невозможно возникновение утечки.
- Запрещает размещать изделие или емкость для топлива вблизи открытого огня, искр или горящих фитилей. Убедитесь, что в месте хранения отсутствует открытый огонь.

- Используйте только одобренные емкости для переноски и хранения топлива.
- Сливайте топливо из топливного бака перед размещением изделия на длительное хранение. Соблюдайте требования местного законодательства в отношении места утилизации топлива.
- Очистите изделие, прежде чем поместить его на длительное хранение.
- Прежде чем поместить изделие на хранение, снимите кабель свечи зажигания во избежание случайного запуска двигателя.

Инструкции по технике безопасности во время технического обслуживания

- Отсоедините свечу зажигания перед выполнением технического обслуживания изделия, за исключением регулировки карбюратора.
- Все сервисное обслуживание изделия должен выполнять авторизованный дилер, кроме пунктов, перечисленных в разделе *ТЕХНИЧЕСКОЕ ОБСЛУЖИВАНИЕ* на стр. 276.
- Убедитесь, что при отпуске рычага дросселя цепная пила останавливается.
- Рукоятки должны быть чистыми и сухими; на них не должно быть следов масла или топлива.
- Правильно затягивайте крышки и крепления.
- Использование неодобренных запасных компонентов или снятие защитного оборудования может привести к повреждению изделия. Это также может привести к травмам оператора или посторонних. Пользуйтесь только рекомендованными принадлежностями и запасными частями. Запрещается вносить изменения в конструкцию изделия.
- Регулярно затачивайте цепь пилы и выполняйте ее очистку для обеспечения безопасности и высокой производительности.
- Соблюдайте инструкции по смазке и замене принадлежности.
- Проверьте изделие на наличие поврежденных деталей. Перед дальнейшей эксплуатацией изделия убедитесь, что поврежденный щиток или деталь функционируют правильно. Проверьте наличие сломанных или неправильно установленных деталей, а также деталей, которые заедают. Проверьте наличие других условий, которые могут влиять на работу изделия. Убедитесь в правильности сборки изделия. Щиток или другие поврежденные детали необходимо отремонтировать или заменить у авторизованного дилера, если не указано иначе в руководстве по эксплуатации.
- Когда изделие не эксплуатируется, храните его в сухом месте наверху или в запортом месте, недоступном для детей.

- Во время транспортировки или хранения изделия используйте чехол направляющей шины или кожух для перемещения изделия.
- Не используйте отработанное масло. Отработанное масло может представлять для

вас опасность, а также может привести к повреждению изделия или нанести вред окружающей среде.

СБОРКА



ПРЕДУПРЕЖДЕНИЕ: Перед сборкой изделия внимательно изучите раздел техники безопасности.

Установка направляющей шины и цепи пилы

1. Снимите колпачок свечи зажигания во время сборки во избежание случайного запуска. (Рис. 39) (Рис. 40)
2. Отверните гайки крепления шины и снимите кожух сцепления. Снимите транспортировочный щиток (А). (Рис. 41)
3. Установите направляющую шину над болтами шины. Отведите направляющую шину в самое заднее положение.
4. Наденьте защитные перчатки для работы с цепной пилой.
5. Приподнимите цепь пилы над ведущей звездочкой и вставьте ее в паз на направляющей шине. Начиная с верхней стороны направляющей шины. (Рис. 42)
6. Убедитесь, что кромки режущих звеньев направлены вперед на верхней стороне направляющей шины.
7. Установите кожух сцепления и вставьте штифт натяжителя цепи в отверстие на направляющей шине.
8. Убедитесь, что приводные звенья цепи пилы правильно установлены на ведущую звездочку. Убедитесь также, что цепь пилы правильно вставлена в паз на направляющей шине.
9. Рукой затяните гайки крепления направляющей шины.
10. Отрегулируйте натяжение цепи, поворачивая винт механизма натяжения цепи по часовой стрелке с помощью комбинированного ключа. Затягивайте цепь пилы до тех пор, пока она не перестанет свисать под направляющей шиной, но чтобы вы могли легко проворачивать ее вручную. (Рис. 43) и (Рис. 44)
11. Придерживая конец направляющей шины, затяните гайки крепления шины комбинированным ключом. (Рис. 45)
 - Регулярно проверяйте натяжение цепи после установки новой цепи до тех пор, пока цепь не приработается.
 - Регулярно проверяйте натяжение цепи. Правильное натяжение цепи гарантирует надлежащие результаты резки и длительный срок службы.

ЭКСПЛУАТАЦИЯ



ПРЕДУПРЕЖДЕНИЕ: Перед началом эксплуатации изделия внимательно изучите раздел техники безопасности.

Использование топлива



ВНИМАНИЕ: Изделие оборудовано двухтактным двигателем. Используйте смесь бензина и масла для двухтактных двигателей. Убедись, что смесь содержит соответствующее количество масла. Неправильное соотношение бензина и масла может привести к повреждению двигателя.

Соотношение топливной смеси

Соотношение топливной смеси для бензина и масла для двухтактных двигателей составляет 50:1 (2%)

Бензин	Масло для двухтактных двигателей
1 ам. галлон	77 мл (2,6 унции)
1 брит. галлон	95 мл (3,2 унции)
5 л	100 мл (3,4 унции)

Приготовление топливной смеси

1. Определите правильное количество бензина и моторного масла (соотношение смеси 50:1). Не готовьте топливную смесь в количестве из расчета более чем на 30 дней. См. раздел *Соотношение топливной смеси на стр. 273.*
2. Добавьте половину количества бензина в чистую емкость для топлива с помощью клапана, не допускающего пролива.



ВНИМАНИЕ: Запрещается использовать бензин с концентрацией этанола более 10% (E10). Это может привести к повреждению изделия.



ВНИМАНИЕ: Не используйте бензин с октановым числом меньше 90 RON (87 AKI). Это может привести к повреждению изделия.

Примечание: Используйте бензин с более высоким октановым числом, если изделие часто используется с постоянно высокой частотой оборотов двигателя.

3. Добавьте в емкость для топлива все количество масла для двухтактных двигателей.



ВНИМАНИЕ: Всегда используйте высококачественное масло для двухтактных двигателей с воздушным охлаждением. Использование другого масла может привести к повреждению изделия.

4. Встряхните топливную смесь, чтобы смешать компоненты.
5. Добавьте оставшееся количество бензина в емкость для топлива.
6. Встряхните топливную смесь, чтобы смешать компоненты.
7. Залейте топливную смесь в топливный бак изделия. См. раздел *Соотношение топливной смеси на стр. 273*.

Заправка топливного бака

1. Убедитесь, что соотношение топливной смеси верное, и что топливная смесь находится в емкости для топлива с клапаном, не допускающим пролива.
2. Если на емкость попало топливо, удалите его и дайте емкости высохнуть.
3. Убедитесь, что область вокруг крышки топливного бака чистая.
4. Снимите крышку топливного бака. (Рис. 46)
5. Встряхните емкость для топлива, прежде чем налить топливную смесь в топливный бак.
6. Установите на место крышку топливного бака.

Смазка цепи пилы

Изделие оснащено автоматической системой смазки. Всегда используйте только подходящее масло для смазки цепи и соблюдайте инструкции.

1. Используйте масло для смазки цепи из растительного материала или стандартное масло.

2. Убедитесь, что область вокруг крышки бака масла для смазки цепи чистая.
3. Снимите крышку бака масла для смазки цепи.
4. Залейте в бак рекомендованное масло для смазки цепи.
5. Установите на место крышку бака масла для смазки цепи.

Перед запуском двигателя

- Проверьте изделие на наличие всех, поврежденных, ослабленных или изношенных деталей.
- Проверьте затяжку гаек, винтов и болтов.
- Проверьте воздушный фильтр.
- Проверьте правильность работы стопора рычага дросселя и ручки газа.
- Проверьте исправность работы выключателя двигателя.
- Проверьте изделие на наличие утечек топлива.
- Проверьте заточку и натяжение цепи пилы.

Запуск холодного двигателя

1. Переместите передний щиток для рук вперед, чтобы включить тормоз цепи. (Рис. 47)
2. Потяните рычаг заслонки наружу и вверх.
3. Нажмите 6 раз грушу подкачивающего насоса. (Рис. 48)
4. Прижмите корпус изделия к земле левой рукой. Не наступайте на изделие. Медленно потяните шнур стартера, пока не почувствуется сопротивление. Затем резко дерните шнур стартера. (Рис. 49)

Примечание: При запуске двигателя запрещается тянуть рычаг дросселя.

5. Продолжайте дергать шнур стартера, пока не запустится или не начнет запускаться двигатель (макс. 3 раза). При запуске или попытке запуска двигателя опустите заслонку. (Рис. 50)



ВНИМАНИЕ: Не тяните шнур стартера, пока он не остановится. Не отпускайте шнур стартера, когда он полностью вытянут. Медленно отпустите шнур стартера. Несоблюдение этих инструкций может привести к повреждению двигателя.

6. Продолжайте рывки, пока двигатель не запустится. Подождите 60 секунд после запуска и потяните рычаг дросселя.
7. Потяните передний щиток для рук назад в направлении передней рукоятки, чтобы отключить тормоз цепи.
8. Зажмите заднюю рукоятку правой рукой, а переднюю рукоятку – левой.

9. Изделие готово к эксплуатации.

Запуск прогретого двигателя

1. Переместите передний щиток для рук вперед, чтобы включить тормоз цепи. (Рис. 51)
2. Потяните рычаг заслонки наружу и вверх.
3. Нажмите 6 раз грушу подкачивающего насоса. (Рис. 52)
4. Переведите рычаг заслонки вниз. (Рис. 53)
5. Прижмите корпус изделия к земле левой рукой. Не наступайте на изделие. Медленно потяните шнур стартера, пока не почувствуется сопротивление. Затем резко дерните шнур стартера. (Рис. 54)



ВНИМАНИЕ: Не тяните шнур стартера, пока он не остановится. Не отпускайте шнур стартера, когда он полностью вытянут. Медленно отпустите шнур стартера. Соблюдайте данные инструкции во избежание повреждения двигателя.

Примечание: При запуске двигателя запрещается тянуть рычаг дросселя.

6. Продолжайте дергать шнур стартера, пока не запустится или не начнет запускаться двигатель (макс. 3 раза). Подождите 60 секунд после запуска и потяните рычаг дросселя.
7. Потяните передний щиток для рук назад в направлении передней рукоятки, чтобы отключить тормоз цепи.
8. Зажмите заднюю рукоятку правой рукой, а переднюю рукоятку – левой.
9. Изделие готово к эксплуатации.

Запуск двигателя, когда топливо очень горячее

Если изделие не запускается, возможно, топливо слишком горячее.

Примечание: Всегда используйте свежее топливо и снижайте время работы в теплую погоду.

1. Поместите изделие в прохладное место, куда не попадают прямые солнечные лучи.
2. Подождите, пока изделие остынет (не менее 20 минут).
3. Нажимайте на грушу в течение 10-15 секунд.
4. Выполните процедуру запуска холодного двигателя. См. раздел *Запуск холодного двигателя на стр. 274.*

Остановка

- Нажмите на выключатель, чтобы остановить двигатель.

Примечание: Выключатель автоматически возвращается в исходное положение.

Использование зубчатого упора

Зубчатый упор предотвращает отдачу и удерживает дерево во время резки. Зубчатый упор представляет собой шарнир между корпусом двигателя и направляющей шиной.

1. Установите нижний край зубчатого упора на правильную ширину недопила.
2. Надавливайте левой рукой на переднюю рукоятку, поднимая при этом заднюю рукоятку правой рукой.
3. Выполняйте пропил, пока не достигнете необходимой ширины недопила.

Примечание: Недопил должен быть одинаковой толщины по всей длине.

4. Выполните пропил на расстояние больше половины диаметра, а затем вставьте в разрез валочный клин.

Валка дерева

1. Очистите дерево от грязи, камней, отсоединившейся коры, гвоздей, скоб и проволоки.
2. Выполните подпил на 1/3 диаметра дерева перпендикулярно направлению падения. (Рис. 55)
3. Выполните нижний горизонтальный рез подпила. Это позволит избежать защемления цепи пилы или направляющей шины при выполнении второго подпила.
4. Выполните пропил (X), противоположный направлению валки, как минимум на 50 мм (2 дюйма) выше горизонтального реза подпила. Выполняйте пропил, противоположный направлению валки, параллельно горизонтальному резу подпила, оставляя достаточно места для недопила ("шарнир"). Обязательно оставляйте недопил. Недопил в стволе позволяет избежать его перекашивания и падения в неправильном направлении. (Рис. 56) и (Рис. 57)
5. По мере того как пропил, противоположный направлению валки, приближается к недопилу, дерево начинает падать. Убедитесь, что дерево падает в правильном направлении, а не назад, зажимая цепь пилы. Во избежание такой ситуации прекратите резку, прежде чем пропил, противоположный направлению валки, будет завершен. С помощью деревянных,

пластмассовых или алюминиевых клиньев раскройте пропили и дайте дереву упасть по необходимой траектории падения. (Рис. 58)

6. Когда дерево начинает падать, необходимо убрать пилу из пропила. Выключите двигатель, опустите изделие и воспользуйтесь запланированным путем отхода. Остерегайтесь падающих сверху сучьев и смотрите под ноги. (Рис. 59)

Обрезка сучьев

1. Используйте более крупные сучья для удерживания бревна над землей.
2. Удаляйте небольшие сучья за один рез. (Рис. 60)
3. Обрезайте ветки, находящиеся в напряжении, снизу вверх, чтобы избежать защемления цепи пилы или направляющей шины.

Распиловка бревна



ВНИМАНИЕ: Не допускайте соприкосновения цепной пилы с землей.

- Если бревно установлено на опоры по всей длине, выполняйте распиловку, начиная с верхней части бревна ("сверху вниз"). (Рис. 61)
- Если бревно установлено на опоры с одной стороны, выполните рез на 1/3 диаметра, начиная с нижней части бревна ("снизу вверх").
- Если бревно установлено на опоры с двух краев, выполните рез на 1/3 диаметра, начиная сверху. Завершите распиловку, выполнив рез снизу вверх на 2/3 бревна, соединив его с первым резом. (Рис. 62)
- При распиловке бревна на склоне всегда стойте с верхней стороны бревна. Разрезайте бревно, полностью контролируя изделие. Затем снизьте давление резки ближе к концу реза, не отпуская заднюю и переднюю рукоятки. (Рис. 63)

ТЕХНИЧЕСКОЕ ОБСЛУЖИВАНИЕ



ПРЕДУПРЕЖДЕНИЕ: Перед очисткой, ремонтом или техническим обслуживанием изделия внимательно изучите раздел техники безопасности.

График технического обслуживания

Соблюдайте график техобслуживания. Интервалы рассчитаны на основе ежедневной эксплуатации изделия. Если изделие не используется каждый день, интервалы будут другими. Выполняйте самостоятельно только те работы по техобслуживанию, которые описаны в данном руководстве. Другие работы по техобслуживанию, не описанные в этом руководстве, должны выполняться авторизованным сервисным центром.

Ежедневное обслуживание

- Очистите внешние поверхности.
- Убедитесь, что стопор рычага дросселя и сам рычаг дросселя исправны.
- Очистите тормоз цепи и убедитесь, что он исправен.
- Осмотрите уловитель цепи на наличие повреждений. Если уловитель цепи поврежден, замените его.
- Ежедневно проворачивайте направляющую шину для более равномерного износа.
- Убедитесь, что отверстие для смазки в направляющей шине не засорилось.

- Удалите опилки и другой мусор из-под крышки звездочки.
- Очистите паз направляющей шины. (Рис. 64)
- Убедитесь, что направляющая шина и цепь пилы смазываются достаточным количеством масла.
- Проверьте цепь пилы:
 - на наличие трещин в местах сочленений и звеньях цепи;
 - на наличие неравномерного износа сочленений и звеньев;
 - на правильность натяжения;
 - на наличие заусенцев на ведущих звеньях цепи.

При необходимости замените цепь пилы.

- Заточите цепь пилы. См. раздел *Заточка цепи пилы на стр. 278*.
- Проверьте ведущую звездочку на наличие чрезмерного износа и при необходимости замените ее. (Рис. 65)
- Очистите воздухопровод корпуса двигателя.
- Проверьте затяжку гаек и винтов.
- Проверьте работу главного выключателя.

Еженедельное обслуживание

- Проверьте работу системы охлаждения.
- Проверьте работу стартера, шнура стартера и возвратной пружины.

- Проверьте виброгасящие элементы на наличие повреждений.

(Рис. 66)

- Сточите все заусенцы на кромках направляющей шины.
- Очистите или замените искрогасительную сетку на глушителе.

(Рис. 67)

- Очистите внешние поверхности карбюратора и прилегающих областей.
- Очистите воздушный фильтр. Установите новый воздушный фильтр, если он поврежден или слишком сильно загрязнен и его невозможно полностью очистить. Дополнительные сведения см. в разделе *Очистка воздушного фильтра на стр. 277.*

Ежемесячное обслуживание

- Осмотрите ленту тормоза цепи на наличие износа. Замените ленту тормоза, если ее толщина менее 0,6 мм (0,024 дюйма) в точке максимального износа.

(Рис. 68)

- Осмотрите муфту сцепления, ее барабан и пружины на наличие износа.
- Очистите свечу зажигания. Проверьте правильность зазора между электродами.

(Рис. 69)

- Очистите внешние поверхности карбюратора и прилегающих областей.
- Осмотрите топливный фильтр и топливный шланг. При необходимости выполните замену.
- Опорожните топливный бак.
- Опорожните масляный бак.
- Осмотрите все провода и соединения.

Ежегодное обслуживание

- Проверьте свечу зажигания.
- Очистите внешние поверхности карбюратора и прилегающих областей.
- Очистите систему охлаждения.
- Проверьте искрогасительную сетку.
- Проверьте топливный фильтр.
- Проверьте топливный шланг на наличие повреждений.
- Осмотрите все провода и соединения.

Периодическое обслуживание

- Выполните ремонт или замену глушителя через 50 часов эксплуатации в авторизованном сервисном центре.
- Выполните техобслуживание свечи зажигания в случае:
 - низкого уровня мощности двигателя.

- трудностей при запуске двигателя.
 - некорректной работы двигателя на холостых оборотах.
- Проверяйте смазку цепи пилы каждый раз при заправке топливом. См. раздел *Проверка смазки цепи пилы на стр. 279.*

Регулировка скорости холостого хода

Перед регулировкой скорости холостого хода убедитесь, что воздушный фильтр чистый и установлена крышка воздушного фильтра.

1. Поворачивайте винт регулировки холостого хода, отмеченный символом "Т", по часовой стрелке, пока цепь пилы не начнет вращаться.
2. Поворачивайте винт регулировки холостого хода, отмеченный символом "Т", против часовой стрелки, пока цепь пилы не остановится.
3. Скорость холостого хода должна быть ниже скорости, при которой цепь пилы начинает вращаться. Скорость холостого хода правильная, если двигатель работает ровно во всех положениях.

Техобслуживание искрогасительной сетки

- Для очистки искрогасительной сетки используйте металлическую щетку. (Рис. 70)

Техобслуживание свечи зажигания



ВНИМАНИЕ: Используйте только рекомендуемые свечи зажигания. Убедитесь, что запчасть имеет такие же характеристики, что и деталь производителя. Применение неподходящих свечей зажигания может привести к повреждению изделия.

1. Если изделие запускается с трудом или не работает, проверьте свечу зажигания на наличие посторонних материалов. Чтобы уменьшить риск появления посторонних материалов на электродах свечи зажигания:
 - a) убедитесь в правильности регулировки скорости холостого хода;
 - b) убедитесь в правильности состава топливной смеси;
 - c) убедитесь, что воздушный фильтр чист;
2. очистите свечу зажигания, если она загрязнена. Проверьте правильность зазора между электродами. (Рис. 71)
3. При необходимости замените свечу зажигания.

Очистка воздушного фильтра

1. Снимите крышку воздушного фильтра и воздушный фильтр. (Рис. 72)
2. Промойте воздушный фильтр теплой мыльной водой. Перед установкой фильтра на место убедитесь, что он полностью высох.
3. Если воздушный фильтр слишком грязный, чтобы полностью его очистить, замените его. Всегда заменяйте поврежденный воздушный фильтр.

Заточка цепи пилы

Резец

Режущая часть цепи пилы называется резцом и состоит из режущего зубца (А) и ограничителя глубины (В). Глубина резки резца определяется как разница между этими двумя величинами, т.н. регулировка ограничителя глубины (С).

(Рис. 73)

При заточке режущего зубца следует учитывать четыре параметра:

- Угол заточки.

(Рис. 74)

- Угол резания.

(Рис. 75)

- Положение напильника.

(Рис. 76)

- Диаметр круглого напильника.

(Рис. 77)

Заточка режущих зубцов

При заточке режущих зубцов используйте круглый напильник и шаблон для заточки. Сведения о рекомендуемом размере напильника и шаблона для цепи пилы, установленной на вашем изделии, см. в разделе *Комбинации комплекта заточки и цепи пилы на стр. 281*.

(Рис. 78)

1. Убедитесь, что натяжение цепи пилы правильное. Цепь с неправильным натяжением перемещается на одну сторону и не затачивается должным образом.
2. Заточите напильником все зубцы с одной стороны. Затем заточите режущие зубцы с внутренней стороны, уменьшая давление на напильник при обратном движении.
3. Переверните изделие и снова заточите зубцы напильником.
4. С помощью напильника обеспечивайте одинаковую длину всех зубцов. Выполняйте замену изношенной цепи пилы, если длина режущих зубцов уменьшается до 4 мм (5/32 дюйма).

Регулировка ограничителя глубины

Заточите режущие зубцы перед регулировкой ограничителя глубины. См. раздел *Заточка режущих зубцов на стр. 278*. После заточки режущих зубцов (А) регулировка ограничителя глубины (С) уменьшится. Для выполнения качественной резки следует сточить ограничитель глубины (В) до рекомендуемого значения. Правильную регулировку ограничителя глубины для вашей цепи см. в разделе *Комбинации комплекта заточки и цепи пилы на стр. 281*.

(Рис. 79)

(Рис. 80)

Примечание: Данная рекомендация предполагает, что длина режущих зубцов не меньше рекомендованной.

Используйте для регулировки ограничителя глубины плоский напильник и шаблон ограничителя глубины.

1. Установите шаблон ограничителя глубины над цепью пилы. Подробная информация по использованию шаблона ограничителя глубины приведена на упаковке.
2. Используйте плоский напильник для стачивания выступающей над шаблоном части ограничителя глубины. Регулировка ограничителя глубины считается правильной, если при прохождении напильником по шаблону не чувствуется сопротивление.

Натяжение цепи пилы

Примечание: Во время приработки новой цепи регулярно проверяйте ее натяжение.

1. Отверните гайки крепления направляющей шины, которые удерживают крышку звездочки. Используйте комбинированный ключ. (Рис. 81)
2. Затяните гайки крепления направляющей шины от руки с максимально возможным усилием.
3. Поднимите верхнюю часть направляющей шины и увеличьте длину цепи, затягивая винт механизма натяжения цепи. Используйте комбинированный ключ. Установите такое натяжение цепи пилы, чтобы она не провисала в нижней части направляющей шины. (Рис. 82)
4. Затяните гайки крепления направляющей шины с помощью комбинированного ключа и одновременно поднимите носовую часть направляющей шины. (Рис. 83)
5. Убедитесь, что вы можете свободно двигать цепь рукой, но при этом она не провисает. (Рис. 84)

Смазка режущего оборудования

Проверка смазки цепи пилы

Проверяйте смазку цепной пилы каждый раз при заправке топливом.

1. Запустите изделие и дайте ему поработать со скоростью 3/4. Направьте наконечник направляющей шины на светлую поверхность на расстоянии прибл. 20 см (8 дюймов).
2. Через 1 минуту работы на поверхности появится масляная полоса.
3. Если через 1 минуту масляная полоса не появилась, очистите смазочный канал в направляющей шине. Очистите паз на кромке направляющей шины. Убедитесь, что ведущая звездочка направляющей шины свободно вращается, а в отверстии смазки нет засоров. Очистите и смажьте ведущую звездочку.
4. Запустите изделие и дайте ему поработать со скоростью 3/4. Направьте наконечник шины на светлую поверхность на расстоянии прибл. 20 см (8 дюймов).
5. Через 1 минуту работы на поверхности появится масляная полоса.
6. Если через 1 минуту масляная полоса не появилась, обратитесь к авторизованному дилеру.

ТРАНСПОРТИРОВКА

- Опорожните топливный и масляной баки перед транспортировкой. Надлежащим образом утилизируйте отработанные жидкости.
- На время транспортировки установите на режущее оборудование чехол направляющей шины. Это позволит предотвратить риск случайного контакта с острой цепью пилы.
- Неработающая пила может привести к травмам оператора или других людей при контакте с острой цепью.
- Перед транспортировкой снимите колпачок свечи зажигания и включите тормоз цепи.
- Убедитесь, что изделие неподвижно зафиксировано во время транспортировки.

ХРАНЕНИЕ

- Всегда убирайте изделие согласно технике безопасности, когда оно не эксплуатируется. Утечки и выхлопы из изделия могут вступить в контакт с искрами, открытым пламенем от электрического оборудования, электрических газодуонок, реле/переключателей, котлов и т.д.
- Всегда храните топливо в соответствующей емкости.
- Опорожняйте топливный бак и бак масла для смазки цепи, когда изделие находится на хранении в течение длительного периода времени. Надлежащим образом утилизируйте отработанные жидкости.
- На время хранения установите на направляющую шину чехол. Это позволит предотвратить риск случайного контакта с острой цепью пилы. Неработающая пила может привести к серьезным травмам оператора или других людей при контакте с острой цепью.
- Перед помещением на хранение снимите колпачок свечи зажигания и включите тормоз цепи.

ТЕХНИЧЕСКИЕ ДАННЫЕ

	Единица измерения	130 (H13038HV)	135 Mark II (H13038HV)
Спецификации двигателя			
Объем цилиндра	см ³	38	38
Свеча зажигания	—	NGK BPMR 7A	NGK BPMR 7A
Зазор между электродами	мм (дюйм)	0,5 (0,02)	0,5 (0,02)
Объем топливного бака	см ³	350	350
Холостой ход	мин ⁻¹	2800-3200	2800-3200
Выходная мощность при 9000 мин ⁻¹	кВт	1,5	1,6

	Единица измерения	130 (H13038HV)	135 Mark II (H13038HV)
Период устойчивости характеристик выбросов	ч	125	125
Уровень шума и вибрации			
Средний уровень вибраций (ahv, eq), левая рукоятка ⁹¹	м/с ²	3,72	3,72
Средний уровень вибраций (ahv, eq), правая рукоятка ⁹²	м/с ²	5,5	5,5
Уровень мощности звука, гарантированный (L _{WA}) ⁹³	дБ(А)	116	116
Уровень мощности звука, измеренный ⁹⁴	дБ(А)	114	114
Уровень звукового давления на уровне уха оператора ⁹⁵	дБ(А)	102	102
Размеры изделия			
Вес (без режущего оборудования)	кг	4,68 (10,3)	4,68 (10,3)
Объем масляного бака	см ³	260	260
Топливная система и система смазки			
Подача масляного насоса при 9000 мин ⁻¹	мл/мин	9	9
Тип масляного насоса	—	Автоматический	Автоматический
Цепь пилы и направляющая шина			
Стандартная длина направляющей шины	см (дюйм)	35-40 (14-16)	35-40 (14-16)
Рекомендуемая длина направляющей шины	см (дюйм)	35-40 (14-16)	35-40 (14-16)
Полезная длина резания	см (дюйм)	33-38 (13-15)	33-38 (13-15)
Максимальная скорость цепи пилы	м/с	22,3	22,3
Шаг цепи пилы	мм (дюйм)	9,52 (3/8)	9,52 (3/8)
Толщина приводных звеньев (шаблон)	мм (дюйм)	1,3 (0,050)	1,3 (0,050)
Тип ведущей звездочки	—	Зубчатое колесо	Зубчатое колесо
Количество зубьев на ведущей звездочке	—	6	6

⁹¹ Средний уровень вибрации вычисляется как взвешенная по времени сумма энергии для разных уровней вибрации при различных условиях работы. Указанные данные о среднем уровне вибраций имеют типичный статистический разброс (стандартное отклонение) 1,5 м/с².

⁹² Средний уровень вибрации вычисляется как взвешенная по времени сумма энергии для разных уровней вибрации при различных условиях работы. Указанные данные о среднем уровне вибраций имеют типичный статистический разброс (стандартное отклонение) 1,5 м/с².

⁹³ Излучение шума в окружающую среду, измеренное как звуковая мощность (L_{WA}).

⁹⁴ Излучение шума в окружающую среду, измеренное как звуковая мощность (L_{WA}).

⁹⁵ Эквивалент уровня звукового давления вычисляется как взвешенная по времени сумма энергии для разных значений звукового давления при различных условиях работы. Типичный статистический разброс для эквивалентного звукового давления — это стандартное отклонение 2,5 дБ(А).

ПРИНАДЛЕЖНОСТИ

Комбинации направляющей шины и цепи

Направляющая шина				Цепь пилы	
Длина	Шаг	Профиль	Максимальное количество зубьев конечной звездочки	Тип	Кол-во приводных звеньев
14 дюймов	3/8 дюйма	0,050 дюйма	7Т	Husqvarna H37	52
16 дюймов				Husqvarna S93G	56

Комбинации комплекта заточки и цепи пилы

Тип цепи	Размер круглого напильника	Угол боковой пластины	Угол верхней пластины	Угол обработки напильником	Регулировка ограничителя глубины	Ограничитель глубины, арт. №	Шаблон напильника, арт. №
H37, S93G	5/32 дюйма 4,0 мм	80°	30°	0°	0,025 / 0,65	5056981-03	5052437-01

СОДЕРЖАНИЕ ДЕКЛАРАЦИИ О СООТВЕТСТВИИ ЕС

Компания Husqvarna AB, SE 561 82 Huskvarna, ШВЕЦИЯ, под свою исключительную ответственность заявляет, что представленное изделие:

Описание	Бензиновая цепная пила
Марка	Husqvarna
Платформа / Тип / Модель	Платформа H13038HV, представленная моделью 130, 135 Mark II
Партия	Серийный номер с 2018 года и далее

полностью соответствует следующим директивам и нормам ЕС:

Директива/Норматив	Описание
2006/42/EC	"о механическом оборудовании"
2014/30/EU	"об электромагнитной совместимости"
2000/14/EC	"об излучении шума от оборудования, размещенного вне помещения"
2011/65/EU	"об ограничении использования опасных веществ"

Применяются следующие согласованные стандарты и/или технические спецификации: EN ISO 12100, EN ISO 11681-1, CISPR 12, ISO 14982

В соответствии с директивой 2000/14/ЕС, приложение V, заявленные значения звукового давления указаны в разделе технических данных настоящего руководства и в подписанной декларации соответствия ЕС.

Организацией TÜV Rheinland LGA Products GmbH, уполномоченная организация по машиностроению (регистрация под номером 0197), Tillystraße 2 - 90431 Nürnberg, Германия, был проведен типовой контроль ЕС в соответствии с директивой по оборудованию 2006/42/ЕС, статья 12, пункт 3б.

Сертификат типового контроля, в соответствии с приложением IX, предоставленный в подписанной декларации соответствия, действителен для всех предприятий и стран производителя, как указано на изделии.

Данная цепная пила соответствует образцу, прошедшему проверку на соответствие нормам ЕС.

Sisukord

SISSEJUHATUS.....	283	TRANSPORTIMINE.....	293
OHUTUS.....	284	HOIUSTAMINE.....	293
KOKKUPANEK.....	288	TEHNILISED ANDMED.....	293
Kasutamine.....	288	ACCESSORIES (Lisavarustus).....	294
HOOLDUS.....	290	EL-I VASTAVUSDEKLARATSIOONI SISU.....	295

SISSEJUHATUS

Kasutusjuhend

Selle kasutusjuhendi originaal on koostatud inglise keeles. Teistes keeltes kasutusjuhendid on tõlgitud inglise keelest.

Ülevaade

(Joon. 1)

- | | |
|--|--|
| 1. Silindri kate | Kandke heakskiidetud peakaitset, |
| 2. Kütusepump | (Joon. 4) kõrvaklappe ja silmade kaitset |
| 3. Silt tootenumbri ja seerianumbriga. | (Joon. 5) Kandke heakskiidetud kaitsekindaid |
| 4. Teavitamis- ja hoiatustähised. | See seade vastab kehtivatele EÜ |
| 5. Seiskamisülili | (Joon. 6) direktiividele. |
| 6. Tagumine käepide | (Joon. 7) Helitugevuse tase |
| 7. Kütusepaak | Ketipidur, rakendamata (vasakul). Ketipidur, |
| 8. Käivitusnööri käepide | (Joon. 8) rakendatud (paremal). |
| 9. Starteri korpus | (Joon. 9) Õhuklapp |
| 10. Langetussuunamärgistus | (Joon. 10) Kütusepump |
| 11. Ketiõli paak | (Joon. 11) Kütuse lisamine |
| 12. Esikäepide | (Joon. 12) Ketiõli lisamine |
| 13. Ketipidur ja turvakäepide | (Joon. 13) Toode vastab kehtivatele EAC direktiividele. |
| 14. Summuti | Toode vastab kehtivatele Ukraina |
| 15. Saekett | (Joon. 14) direktiividele |
| 16. Juhtplaadi otsatähik | Toode vastab kehtivatele Korea |
| 17. Juhtplaat | (Joon. 15) direktiividele |
| 18. Ketipingutuskruvi (130) | Toode vastab kehtivatele Jaapani |
| 19. Ketipingutuskruvi (135 Mark II) | (Joon. 16) direktiividele |
| 20. Kooretugi | (Joon. 17) Müratase |
| 21. Ketipüüdja | (Joon. 18) Hoidke toodet kindlalt mõlema käega |
| 22. Siduri kate | (Joon. 19) Ärge kasutage seadet ühe käega |
| 23. Parema käe kaitse | (Joon. 20) Ärge puudutage juhtplaadi nina |
| 24. Gaasihoovastiku nupp | (Joon. 21) Jälgi tagasilööki |
| 25. Gaasihoovastiku nupu lukk | Toode vastab Austraalia ja Uus-Meremaa |
| 26. Juhtplaadi kate | (Joon. 22) elektromagnetilise ühilduvuse |
| 27. Kombitööriist | vastavusdirektiividele. |
| 28. Kasutusjuhend | |

Sümbolid tootel

(Joon. 2) Hoiatus

(Joon. 3) Lugege läbi käesolev kasutusjuhend

Märkus: Seadmel toodud ülejäänud sümbolid/tähised vastavad muude kommertsvaldkondade sertifitseerimisnõuetele.

Proposition 65

(Joon. 23)

EL V



HOIATUS: Mootori igasugune modifitseerimine, muutmine või rikkumine tühistab toote EL-i tüübikinnituse.

Tootevastutus

Tootevastutusseaduste alusel ei vastuta me tootest tingitud kahjustuste eest, kui:

- toodet on valesti parandatud;
- toote parandamisel on kasutatud osi, mis ei ole tootja poolt valmistatud või heaks kiidetud;
- tootel on kasutatud tarvikut, mis ei ole tootja poolt valmistatud või heaks kiidetud;
- toodet ei ole parandatud volitatud hoolduskeskuses või volitatud isiku poolt.

OHUTUS

Ohutuse määratlused

Järgnevad määratlused näitavad märgusõnade raskusastet.



HOIATUS: Kehavigastused.



ETTEVAATUST: Toote kahjustus.

Märkus: See teave hõlbustab toote kasutamist.

Üldised ohutuseeskirjad

- Kasutage toodet õigesti. Valesti kasutamise tagajärjeks võib olla kehavigastus või surm. Kasutage toodet ainult käesolevas kasutusjuhendis kirjeldatud tööde tegemiseks. Ärge kasutage toodet muude tööde tegemiseks.
 - Lugege kasutusjuhend läbi, tehke juhendid endale arusaadavaks ja järgige neid. Järgige hoiatussümboleid ja ohutuseeskirju. Kui operaator ei järgi juhiseid, eeskirju ja sümboleid, võib selle tagajärjeks olla kahjustus, kehavigastus või surm.
 - Hoidke see kasutusjuhend alles. Tarvitage kasutusjuhendit toote kokkupanemisel, kasutamisel ja heas töökorras hoidmisel. Tarvitage kasutusjuhendit tarvikute ja lisavarustuse õigeks paigaldamiseks. Kasutage ainult heakskiidetud tarvikuid ja lisavarustust.
 - Ärge kasutage kahjustatud toodet. Järgige hoolduskeemi. Tehke ainult neid hooldustöid, mille juhised on toodud selles kasutusjuhendis. Kõik ülejäänud hooldustööd peab tegema volitatud hoolduskeskus.
- Selles kasutusjuhendis ei saa kirjeldada kõiki olukordi, mis võivad toote kasutamise käigus ette tulla. Olge ettevaatlik ja kasutage tervet mõistust. Ärge kasutage toodet ega tehke hooldustöid, kui te pole antud olukorras kindel. Vestelge lisateabe saamiseks toote asjatundja, edasimüüja, hooldustöökoja või volitatud hoolduskeskuse esindajaga.
 - Enne toote kokkupanemist, hoiule asetamist või hooldustööde tegemist lahutage süüteküünla juhe.
 - Ärge kasutage toodet, kui selle algseid tehnilisi näitajaid on muudetud. Ärge muutke toote ühtegi osa ilma tootja heakskiiduta. Kasutage ainult tootja poolt heaks kiidetud osi. Vale hooldamise tagajärjeks võib olla kehavigastus või surm.
 - Ärge hingake sisse mootori heitgaase. Mootori heitgaaside, pihustunud ketiõli ja saepuru pikaajaline sissehingamine võib olla tervisele ohtlik.
 - Ärge käivitage toodet siseruumis ega tuleohtlike materjalide ligidal. Heitgaasid on tulised ja võivad sisaldada sädemeid, mis võivad põhjustada tulekahju. Ebapiisav õhuvahetus võib põhjustada lämbumist või vingugaasimürgistusest tingitud kehavigastuse või surma.
 - Toode tekitab töötades elektromagnetvälja. Elektromagnetväli võib kahjustada meditsiinilisi implantaate. Enne toote kasutamist pidage nõu oma arsti ja implantaadi valmistajaga.
 - Ärge lubage lastel toodet käsitseda.
 - Ärge lubage kasutusjuhistega mitte tutvunud isikul toodet käsitseda.
 - Kui toodet kasutab piiratud füüsiliste või vaimsete võimetega isik, peab ta olema kogu aeg järelevalve all. Vastutusvõimeline täiskasvanu peab kogu aeg kasutaja juures viibima.
 - Kasutusel mitte olev toode lukustage kohta, kus lapsed ja volitamata isikud selle juurde ei pääse.

- Toode võib esemeid õhku paisata ja põhjustada kehavigastusi. Vigastus- ja surmaohu vähendamiseks järgige ohutuseeskirju.
- Ärge lahkuge töötava mootoriga toote juurest. Seisake mootor ja veenduge, et kett oleks peatunud.
- Õnnetusjuhtumite eest toote kasutamisel vastutab toote operaator.
- Enne toote kasutamist veenduge, et kõik osad oleksid terved.
- Tutvuge riiklike või kohalike eeskirjadega. Need võivad toote kasutamist teatud asjaoludel piirata või selle keelata.
- Ärge kasutage toodet halva ilma (nt udu, vihma, tugev tuule, äikeseohu vms ilmaolude) korral. Halva ilmaga võivad tekkida ohtlikud tingimused (näiteks libedad pinnad).
- Veenduge et saaksite liikuda vabalt ja töötada stabiilses asendis.
- Kindlustage, et te ei saaks toote kasutamise ajal kukkuda. Ärge kallutage toote kasutamise ajal.
- Hoidke toodet alati kahe käega. Hoidke eesmist käepidet vasaku käega ja tagumist käepidet parema käega. Hoidke seadet endast paremal.
- Kui õhuklapp on mootori käivitamisel täisgaasiasendis, hakkab kett pöörlema.
- Enne toote liigutamist seisake mootor.
- Ärge asetage töötava mootoriga toodet maha.
- Enne tootelt soovimatute materjalide eemaldamist seisake mootor. Enne kui teie ise või abiline asub lõigatud materjali eemaldama, laske ketil täielikult peatuda.
- Ärge töötage tootega puu otsas. Tootega puu otsas töötamine võib põhjustada kehavigastusi.

Ohutusjuhised kasutamisel

- Toote pidev või regulaarne kasutamine võib põhjustada nn valgete sõrmede sündroomi või muid sarnaseid vibratsioonist tingitud meditsiinilisi probleeme. Kui kasutate toodet pidevalt või regulaarselt, kontrollige aeg-ajalt oma käte ja sõrmede seisundit. Kui teie kätel või sõrmedel muutub värv, tunnete valu või surinat või käed või sõrmed muutuvad tuimaks, lõpetage töötamine ja pöörduge kohe arsti poole.
- Enne toote kasutamist veenduge, et see oleks täielikult kokku pandud.
- Toode võib esemeid õhku paisata ja see võib kahjustada silmi. Toote kasutamisel kandke alati heakskiidetud kaitseprille.
- Olge tähelepanelik, sest näiteks laps võib toote kasutamise ajal ootamatult teie lähedale tulla.
- Ärge kasutage toodet, kui tööpiirkonnas on inimene. Peatage toode, kui tööpiirkonda siseneb inimene.

(Joon. 24)

- Veenduge, et toode oleks alati teie kontrolli all.
- Toodet tuleb kasutada kahe käega hoides. Ärge kasutage toodet ühe käega hoides. Toote kasutamine ühe käega hoides võib põhjustada tõsiseid kehavigastusi nii seadme kasutajale, töötajatele kui ka kõrvalseisjatele.
- Hoidke eesmist käepidet vasaku käega ja tagumist käepidet parema käega. Hoidke seadet endast paremal.

(Joon. 25)

- Ärge kasutage toodet, kui olete väsinud, haige või tarvitanud alkoholi või muid narkootilisi aineid.
- Ärge kasutage toodet, kui te ei saa võimaliku õnnetusjuhtumi korral kedagi appi kutsuda. Enne toote kasutamise alustamist teavitage sellest alati kõiki läheduses viibijaid.
- Ärge pöörake end koos tootega enne, kui olete veendunud, et ohualas ei viibiks ühtegi inimest ega looma.
- Enne töö alustamist eemaldage tööpiirkonnast kõik sobimatud esemed. Kui kett pörkab vastu eset, võib ese õhku paiskuda ja põhjustada kehavigastuse või kahjustusi. Sobimatud esemed võivad keti külge takerduda ja põhjustada kahjustusi.

(Joon. 26)

- Toote käivitamisel peab ketipidur olema rakendatud, et vähendada liikuma hakkava saeketiga kokkupuutumise ohtu.

(Joon. 27)

- Vältige toote tagasiviskumist, liugumist, pörkimist ja maha pillamist, kuna see võib põhjustada raskeid kehavigastusi.
- Tagasiviskumise ja muude raskeid kehavigastusi põhjustada võivate jõudude vältimiseks järgige kõiki ohutusnõudeid.
- Saeketi lõtvumise vältimiseks reguleerige selle pingsust regulaarselt. Lõtv saekett võib maha tulla ja tekitada ohtlikke või surmavaid vigastusi.
- Puid langetage selleks ettenähtud toimingute kohaselt. Muidu võite põhjustada kehavigastusi inimestele, kahjustada elektriliine või vara.
- Kasutaja peab seisma maastiku kallaku kõrgemal küljel, et langetatud puu veereks või libiseks mööda kallakut alla.

(Joon. 28)

- Enne lõikamise alustamist kavandage ja vabastage väljapääsutee. Väljapääsutee peab ulatuma puu eeldatavast langemissuunast taha ja diagonaalsuunas.

(Joon. 29)

- Enne tootega puude vahel liikumist seisake mootor.
- Asetage jalad kindlalt vastu maapinda ja jaotage keharaskus võrdset mõlemale jalale.

(Joon. 30)

- Veenduge alati, et teil oleks kindel jalgealune, ning kasutage toodet ainult siis, kui seisate liikumatul, kindlal ja tasasel pinnal. Libedatel ja ebastabiilsetel pindadel (nt redelil) võite kaotada tasakaalu või kontrolli toote üle.

(Joon. 31)

Tagasiviskumine, liugumine, pörkumine ja kukkumine

Toote ohutust võivad mõjutada erinevad tegurid.

- **Ligumine** – juhtplaat liigub kiiresti piki puud.
- **Pörkumine** – juhtplaat pörkub puust eemale ja puudutab seda uuesti.
- **Kukkumine** – toode kukub pärast löikamist maha. Selle tagajärjel võib liikuv kett puudutada mõnd kehaosa või muid esemeid ja põhjustada kehavigastusi või kahjustusi.
- **Tagasiviskumine** – juhtplaadi ots puudutab mõnd eset ja liigub äkitselt tagasi-, üles- või edasisuunas. Tagasiviskumise põhjustab ka olukord, kus puu pigistab saeketi löikamise ajal kinni. Kui toode puudutab puust olevat eset, võib kaduda kontroll seadme üle.
(Joon. 32)

- **Pöörlemisest tingitud tagasiviskumine** võib tekkida, kui liikuv kett juhtplaadi otsas puutub vastu mõnda eset. Selle tagajärjel võib kett esemesse löikuda ja kohe seisma jääda. Tulemuseks on väga kiire tagasilöök, mille käigus liigub juhtplaat üles ja tagasi kasutaja suunas.
(Joon. 33)
- **Kinnikiilumisest tingitud tagasiviskumine** võib tekkida, kui saekett äkitselt löikamise ajal peatub. Juhtplaadi ülaservas liikuv saekett jääb puu sisse kinni. Keti äkiline peatumine tekitab vastujõu, mis põhjustab toote vastupidise liikumise keti liikumissuunale. Toode liigub tagasi kasutaja suunas.
(Joon. 34)
- **Sissetõmbamine** võib tekkida, kui liikuv kett juhtplaadi alumises servas puutub vastu puus olevat eset ja saekett seiskub järsult. Äkilise peatumise mõjul viskub toode kasutajast eemale, mistõttu võib kasutaja kaotada kergesti toote üle kontrolli.
(Joon. 35)

Enne toote kasutamist viige end kindlasti kurssi erinevate jõudude ja nende vältimisega. Vt jaotist *Tagasiviskumise, liugumise, pörkumise ja kukkumise ärahoidmine lk 286.*

Tagasiviskumise, liugumise, pörkumise ja kukkumise ärahoidmine

- Kui mootor töötab, hoidke toodet kindlalt. Hoidke parema käega tagumisest käepidemest ja vasakuga eesmisest käepidemest. Hoidke sõrmedega kõvasti käepidemest kinni. Ärge vabastage haaret.
- Juhtige toodet nii löikamise ajal kui pärast puu langetamist. Ärge laske tootel pärast löikamist raskuse mõjul langeda.

- Veenduge, et löikamisala oleks takistustest vaba. Ärge puudutage toote kasutamise ajal juhtplaadi ninaga palki, oksa ega muid takistusi. (Joon. 36)
- Rakendage löikamisel suurt mootori pöörlemiskiirust.
- Ärge küünitage liiga kaugale ega löigake õlgadest kõrgemal. (Joon. 37)
- Saeketi teritamisel ja hooldamisel järgige tootja juhiseid.
- Kasutage asendamiseks ainult tootja soovitatud juhtplaate ja saekette.
- Liiga suure löikesügavuse korral suureneb tagasilöögi oht.

Isiklik kaitsevarustus

- Toote kasutamise ajal kandke alati kohast isiklikku kaitsevarustust. Isiklik kaitsevarustus vähendab õnnetuse korral kehavigastuse raskusastet, ent ei tee seda olematuks.
- Ärge kandke avaraid rõivaid, mis võivad saeketti takerduda.
- Kandke heakskiidetud kaitsekiivrit.
- Toote kasutamisel kandke alati heakskiidetud kõrvaklappe. Pikaajaline mürakeskkonnas viibimine võib põhjustada kuulmiskadu.
- Kasutage näokaitset ja kaitseprille, et kaitsta paiskuvate esemete eest. Toode võib esemeid (nt puulaaste ja väikseid puutükke) suure jõuga liigutada. See võib tekitada tõsise vigastuse, sh silmadele.
- Kandke ketsae kasutamiseks ettenähtud kaitsekindaid.
- Kandke ketsae kasutamiseks ettenähtud kaitsepükse.
- Kandke ketsae kasutamiseks ettenähtud teraskaitsega mittelibisevaid kaitseasaapaid.
- Veenduge, et läheduses asuks esmaabikomplekt.
- Summutist, juhtplaadist, saeketist ja mujalt võivad paiskuda sädemed. Metsatulekahjude tekkimise ärahoidmiseks hoidke käepärast tulekustutusvahendeid ja labidas.

Toote kaitseesadised

- Ärge kasutage toodet, kui kaitseesadised on kahjustatud. Kui toode saab kahjustada, pöörduge volitatud hoolduskeskusesse.

Seiskamisüliti kontrollimine

1. Käivitage mootor. Vt jaotist *Enne mootori käivitamist lk 289.*
2. Veenduge, et seiskamisüliti seadmisel seiskamisasendisse mootor seiskuks.

Gaasihoovastiku nupu luku kontrollimine

1. Gaasihoovastiku nupu luku (A) vabastamisel veenduge, et gaasihoovastiku nupp (B) oleks lukustatud tühikäigule. (Joon. 38)

- Vajutage gaasihoovastiku nupu lukku (A) ja veenduge, et vabastamisel liiguks see tagasi algasendis.
- Vajutage gaasihoovastiku nuppu (A) ja veenduge, et vabastamisel liiguks see tagasi algasendisse.
- Käivitage mootor ja rakendage täisgaas.
- Vabastage gaasihoovastiku nupp ja kontrollige, kas saekett peatub.
- Kui gaasihoovastiku tühikäigu asendis olemise ajal saekett pöörleb, kontrollige karburaatori tühikäigu reguleerimiskruvi.

Kaitse

Kaitse ei lase esemetel toote kasutaja suunas paiskuda. Samuti hoiab kaitse ära juhtesliiku kokkupuute toote kasutaja ja saeketi vahel.

- Kontrollige kindlasti, kas kaitset tohib tootega koos kasutada.
- Ärge kasutage toodet ilma kaitsmeta.
- Veenduge, et kaitse oleks kahjustamata. Kui kaitse on kulunud või kahjustatud, tuleb see välja vahetada.

Ohutusnõuded kütuse käsitlemisel

- Ärge käivitage toodet, kui toote pinnale on sattunud kütust või mootoriõli. Eemaldage kütus/õli toote pinnalt ja laske tootel kuivada. Eemaldage kütus toote pinnalt.
- Kui kütus satub rõivastele, siis vahetage kohe riideid.
- Vältige kütuse sattumist nahale, see võib põhjustada kehavigastusi. Kui kütus satub nahale, puhastage piirkond seebi ja veega.
- Ärge käivitage mootorit, kui kütus või õli satub toote pinnale või teie nahale.
- Ärge käivitage toodet, kui mootor lekib. Kontrollige regulaarselt mootori lekkekindlust.
- Olge kütuse käsitlemisel ettevaatlik. Kütus on tuleohtlik ja kütuse aurud on plahvatusohtlikud ning võivad põhjustada kehavigastusi või surma.
- Ärge hingake sisse kütuseaure, see võib põhjustada kehavigastuse. Tagage piisav õhuvahetus.
- Ärge suitsetage kütuse ega mootori läheduses.
- Ärge asetage kuumi esemeid kütuse ega mootori lähedusse.
- Ärge tankige kütust, kui mootor töötab.
- Enne tankimise alustamist veenduge, et mootor oleks külm.
- Enne tankimise alustamist avage aeglaselt kütusepaagi kork ja laske survel alaneda.
- Ärge tankige mootorit siseruumis. Ebapiisav õhuvahetus võib põhjustada lämbumisest või vingugaasimürgistusest tingitud kehavigastuse või surma.
- Keerake kütusepaagi kork hoolikalt kinni, et vältida tulekahju.
- Enne käivitamist viige toode vähemalt 3 m (10 jala) kaugusele kohast, kus toimus kütusepaagi täitmine.

- Ärge tankige paaki liiga palju kütust.
- Veenduge, et toote või kütusenõu liigutamisel ei tekiks leket.
- Ärge asetage toodet või kütusenõu kohta, kus on lahtine leek, sädemed või süüteleek. Veenduge, et hoiukohas ei oleks lahtist leeki.
- Kütuse kandmiseks või hoidmiseks kasutage üksnes heakskiidetud mahuteid.
- Enne pikaajalisele hoiule jätmist tühjendage kütusepaak. Järgige kütuse kasutusel kõrvaldamist reguleerivaid kohalikke eeskirju.
- Enne pikaajalisele hoiule jätmist puhastage toode.
- Enne toote hoiule jätmist eemaldage süüteküünla juhe, et vältida mootori tahtmatu käivitamise võimalust.

Ohutusjuhised hooldamisel

- Enne toote hooldamist (v.a karburaatori reguleerimise korral) lahutage seadmist süüteküünla juhe.
- Laske toodet hooldada üksnes volitatud edasimüüjal (v.a jaotises *HOOLDUS lk 290* kirjeldatud toimingute korral).
- Make sure the saw chain stops moving when the throttle trigger is released.
- Hoidke käepidemed kuivad ja puhtad õlist või kütusesegust.
- Veenduge, et korgid ja kinnitused oleksid korralikult kinnitatud.
- Heakskiitmata asendusosade kasutamine ja kaitseseadiste eemaldamine võib toodet kahjustada. See võib kahjustada ka kasutajat või kõrvalseisjaid. Kasutage ainult soovitatud asendusosi ja tarvikuid. Ärge muutke toodet.
- Suure jõudluse ja ohutuse huvides teritage ja puhastage saeketti regulaarselt.
- Määrimise ja tarvikute vahetamise korral järgige juhendeid.
- Kontrollige, kas tootel ei esine kahjustunud osi. Enne toote kasutamist kontrollige kindlasti, kas kahjustud kaitse või osa töötab korralikult. Kontrollige, kas esineb osi, mis on vales asendis ega liigu. Kontrollige, kas esineb muid toote kasutamist mõjutavaid asjaolusid. Veenduge, et toode oleks õigesti paigaldatud. Kaitset või mõnda muud kahjustunud osa tohib parandada või asendada volitatud edasimüüja, juhul, kui kasutusjuhendis pole märgitud teisiti.
- Kui toodet ei kasutata, hoidke seda kuivas kõrges või lukustatud kohas, kus lapsed sellele juurde ei pääse.
- Toote transportimisel või hoiustamisel kasutage toote liigutamiseks juhtplaadi katet või kasti.
- Ärge kasutage läbitöötatud õli. Läbitöötatud õli võib olla ohtlik ning kahjustada toodet ja keskkonda.

KOKKUPANEK



HOIATUS: Enne toote kokkupanekut lugege ohutuspeatükki ja tehke selles olev teave endale arusaadavaks.

Juhtplaadi ja saeketi paigaldamine

1. Tahtmatu käivitamise vältimiseks eemaldage paigaldamise ajal süüteküünlalt süüteküünla kate. (Joon. 39) (Joon. 40)
2. Eemaldage juhtplaadi kinnitusmutrid ja sidurikate. Eemaldage transpordikaitse (A). (Joon. 41)
3. Asetage juhtplaat juhtplaadi poltidele. Viige juhtplaat kõige tagumisse asendisse.
4. Pange kätte kettsae kasutamiseks ettenähtud kaitsekindad.
5. Tõstke saekett veotähikust kõrgemale ja asetage see juhtplaadis olevasse soonde. Alustage juhtplaadi ülemisest servast. (Joon. 42)
6. Veenduge, et löikelülide ääred juhtplaadi ülemisel serval oleksid suunatud ettepoole.
7. Paigaldage siduri kate ja asetage ketipingutusstift juhtplaadis olevasse auku.
8. Veenduge, et saeketi veolülid asuksid veotähikul õigesti Samuti kontrollige kindlasti, kas saekett on korralikult juhtplaati soones.
9. Pingutage juhtplaadi kinnitusmutreid sõrmedega.
10. Saeketi pingutamiseks keerake pingutuskrui lehtsilmsvõtme abil päripäeva. Pingutage saeketti nii, et see enam juhtplaadi alumisel küljel lõdvalt ei ripuks, kuid saaksite seda hõlpsalt käitsi liigutada. (Joon. 43) ja (Joon. 44)
11. Hoidke juhtplaadi otsa üleval ja pingutage lehtsilmsvõtme abil juhtplaadi kinnitusmutreid. (Joon. 45)
 - Pärast uue saeketi paigaldamist ja sissetöötamist kontrollige keti pingsust regulaarselt.
 - Kontrollige regulaarselt keti pingsust. Keti õige pingsus tagab head lõikeomadused ja pika kasutusea.

Kasutamine



HOIATUS: Enne toote kasutamist lugege ohutuspeatükki ja tehke selles olev teave endale arusaadavaks.

Kütuse kasutamine



ETTEVAATUST: Tootel on kahetaktiline mootor. Kasutage bensiini ja kahetaktiliste mootorite mootoriõli segu. Jälgige, et õli kogus segus oleks õige. Vale bensiini ja õli suhe võib mootorit kahjustada.

Kütusesegu suhe

Bensiini ja kahetaktilise mootori mootoriõli kütusesegu suhe on 50:1 (2%)

Bensiin	Kahetaktiliste mootorite mootoriõli
1 USA gallon	77 ml (2,6 untsi)
1 Briti gallon	95 ml (3,2 untsi)
5 l	100 ml (3,4 untsi)

Kütusesegu valmistamine

1. Määra kindlaks bensiini ja mootoriõli õige kogus (segusuhe 50:1). Ärge valmistage rohkem kütusesegu, kui kulub umbes 30 päeva jooksul. Vt jaotist *Kütusesegu suhe lk 288*.

2. Valage pool vajaminevast kütusekogusest puhtasse ülevoolukaitsega kütusenõusse.



ETTEVAATUST: Ärge kasutage bensiini, mille etanoolisisaldus (E10) on üle 10%. See võib toodet kahjustada.



ETTEVAATUST: Ärge kasutage bensiini, mille oktaaniarv on alla 90 RON (87 AKI). See võib toodet kahjustada.

Märkus: Kui toode töötab sageli püsivalt kõrge mootori kiirusega, kasutage suurema oktaaniarvuga bensiini.

3. Valage kütusenõusse kogu vajaminev kahetaktilise mootori mootoriõli kogus.



ETTEVAATUST: Kasutage kvaliteetset mootoriõli, mis on ette nähtud õhkjahutusega kahetaktiliste mootorite jaoks. Muud õlid võivad toodet kahjustada.

4. Loksutage kütusesegu, et koostisosad seguneksid.
5. Valage ülejäänud bensiinikogus kütusenõusse.
6. Loksutage kütusesegu, et koostisosad seguneksid.
7. Täitke toote kütusepaak kütuseseguga. Vt jaotist *Kütusesegu suhe lk 288*.

Kütusepaagi täitmine

1. Veenduge, et kütusesegu oleks õige ja et see oleks ülevoolukaitsega kütusenõus.
2. Kui nõul on kütust, eemaldage ebavajalik kütus ja laske nõul kuivada.
3. Veenduge, et kütusepaagi korgi ümbrus oleks puhas.
4. Eemaldage kütusepaagi kork. (Joon. 46)
5. Enne kütusesegu lisamist kütusepaaki loksutage kütusenõud.
6. Pange kütusepaagi kork tagasi.

Saeketi määrimine

Tootel on automaatne määrimissüsteem. Kasutage ainult õiget ketiõli ja järgige juhiseid.

1. Kasutage taimse koostisega saeketiõli või tavalist saeketiõli.
2. Veenduge, et saeketiõli paagi korgi ümbrus oleks puhas.
3. Eemaldage saeketiõli paagi kork.
4. Täitke saeketiõli paak soovitatud saeketiõliga.
5. Pange saeketiõli paagi kork tagasi.

Enne mootori käivitamist

- Veenduge, et tootel poleks puuduvaid, kahjustatud, lahtisi või kulunud osi.
- Kontrollige mutreid, kruvisid ja polte.
- Kontrollige õhufiltrit.
- Kontrollige, kas gaasihoovastiku nupu lukk ja gaasihoovastik töötavad korralikult.
- Kontrollige, kas seisukamislüliti töötab korralikult.
- Kontrollige, kas tootel ei esine kütuseleket.
- Kontrollige saeketi teravust ja pingsust.

Külma mootori käivitamine

1. Liigutage turvakäepidet edasi, et rakendada ketipidur. (Joon. 47)
2. Tõmmake õhuklapp välja ja üles.
3. Vajutage kütuse etteandepumpa 6 korda. (Joon. 48)
4. Suruge toote korpus vasaku käega vastu maad. Ärge astuge tootele. Tõmmake aeglaselt käivitusnööri käepidet, kuni tunnete vastupanu. Siis tõmmake käivitusnööri käepidet jõuga. (Joon. 49)

Märkus: Mootorit käivitades ärge tõmmake gaasihoovastiku nuppu.

5. Tõmmake käivitusnööri käepidet, kuni mootor käivitub või püüab käivituda (mitte üle kolme tõmbe). Kui mootor käivitub või püüab käivituda, lükake õhuklapp alla. (Joon. 50)



ETTEVAATUST: Ärge tõmmake käivitusnööri enne, kui see peatub. Ärge laske täiesti välja tõmmatud käivitusnööri käest lahti. Vabastage käivitusnõör aeglaselt. Nende juhiste eiramine võib mootorit kahjustada.

6. Jätkake tõmbamist, kuni mootor käivitub. Pärast käivitumist oodake 60 sekundit ja alles siis tõmmake gaasihoovastiku nuppu.
7. Ketipiduri vabastamiseks tõmmake turvakäepidet esikäepideme suunas.
8. Hoidke tagumist käepidet parema käega ja eesmist käepidet vasaku käega.
9. Kasutage toodet.

Sooja mootori käivitamine

1. Liigutage turvakäepidet edasi, et rakendada ketipidur. (Joon. 51)
2. Tõmmake õhuklapp välja ja üles.
3. Vajutage kütuse etteandepumpa 6 korda. (Joon. 52)
4. Lükake õhuklapp alla. (Joon. 53)
5. Suruge toote korpus vasaku käega vastu maad. Ärge astuge tootele. Tõmmake aeglaselt käivitusnööri käepidet, kuni tunnete vastupanu. Siis tõmmake käivitusnööri käepidet jõuga. (Joon. 54)



ETTEVAATUST: Ärge tõmmake käivitusnööri enne, kui see peatub. Ärge laske täiesti välja tõmmatud käivitusnööri käest lahti. Vabastage käivitusnõör aeglaselt. Järgige neid juhiseid, et mootorit mitte kahjustada.

Märkus: Mootorit käivitades ärge tõmmake gaasihoovastiku nuppu.

6. Tõmmake käivitusnööri käepidet, kuni mootor käivitub või püüab käivituda (mitte üle kolme tõmbe). Pärast käivitumist oodake 60 sekundit ja alles siis tõmmake gaasihoovastiku nuppu.
7. Tõmmake eesmist käekaitset tagasi esikäepideme suunas, et vabastada ketipidur.
8. Hoidke tagumist käepidet parema käega ja eesmist käepidet vasaku käega.
9. Kasutage toodet.

Mootori käivitamine ülekuumenenud kütusega

Kui toode ei käivitu, võib kütus olla ülekuumenenud.

Märkus: Kasutage värsket kütust ja vähendage sooja ilmade korral tööaega.

1. Asetage toode jahedasse kohta, mis on varjatud otsese päikesevalguse eest.

2. Laske tootel vähemalt 20 minutit jahtuda.
3. Vajutage kütusepumpa 10–15 sekundit.
4. Järgige külma mootori käivitamise juhiseid. Vt jaotist *Külma mootori käivitamine lk 289.*

Seiskamine

- Mootori seiskamiseks vajutage seiskamisüliliiti.

Märkus: Seiskamisüliliiti naaseb automaatselt algasendisse.

Kooretoe kasutamine

Kooretugi takistab tagasiviskumist ja hoiab puud lõikamise ajal paigal. Kooretugi on mootori korpuse ja juhtplaadi vaheline pöördetugi.

1. Asetage kooretoe alumine ots selliselt, et saavutaksite õige liigendilaiuse.
2. Suruge vasaku käega esikäepidet ja tõstke parema käega tagumist käepidet.
3. Saagige, kuni liigend on saavutanud õige laiuse.

Märkus: Liigend peab olema ühtlase paksusega.

4. Lõigake läbi üle poole puu läbimõõdust ja asetage siis lõikeavasse langetuskiil.

Puu langetamine

1. Eemaldage puult praht, kivid, lahtine puukoor, naelad, klambrid ja traat.
2. Lõigake pousse sälk, mis on 1/3 puu läbimõõdust ja asetseb langemissuunaga risti. (Joon. 55)
3. Lõigake alumine horisontaalne sälgu osa. See aitab vältida saeketi ja juhtplaadi kinnikiilumist teise sälgu lõikamise ajal.
4. Tehke langetav sisselõige (X) horisontaalsest sälgust vähemalt 50 mm kõrgemal. Veenduge, et langetav sisselõige oleks horisontaalse sälguga paralleelne, et piisav osa puust jääks liigendiks. Ärge lõigake liigendit. Liigend hoiab puu paigal ja takistab seda vales suunas langemast. (Joon. 56) ja (Joon. 57)

5. Langetava sisselõike ja liigendi vahelise kauguse vähenemisel hakkab puu langema. Veenduge, et puu saaks langeda õiges suunas ega vajuks tagasi ja põhjustaks saeketi kinnikiilumise. Selle vältimiseks lõpetage saagimine enne langetava sisselõike lõpuleviimist. Kasutage sisselõike avamiseks puidust, plastist või alumiiniumist kiile, et puu saaks soovitud suunas langeda. (Joon. 58)
6. Kui puu hakkab langema, eemaldage toode sisselõikest. Seisake mootor, pange toode maha ja kasutage kavandatud väljapääsuteed. Olge ettevaatlik ülevalt langevate oksade suhtes ja jälgige jalgealust. (Joon. 59)

Puu laasimine

1. Suuremad oksad aitavad tüve maapinnast kõrgemal hoida.
2. Eemaldage väikesed oksad ühe lõikega. (Joon. 60)
3. Pingul oksad lõigake alt üles, et saekett ja juhtplaat kinni ei kiiluks.

Palgi järkamine



ETTEVAATUST: Ärge laske saeketil puutuda maad.

- Kui palk on täielikult toetatud, lõigake seda ülalt (seda nimetatakse ülaltlõikeks). (Joon. 61)
- Kui palk on ühelt poolt toetatud, lõigake 1/3 selle übermõõdust alt (seda nimetatakse alllõikeks).
- Kui palk on mõlemalt poolt toetatud, lõigake 1/3 selle übermõõdust ülalt. Saagige palk läbi, lõigates 2/3 sellest altsuunas ja ühendades alllõike esimese sisselõikega. (Joon. 62)
- Kui järkate palki kallakul, seiske kallaku kõrgemal küljel. Lõigake palk läbi, hoides toodet kindlalt kontrolli all. Lõikamise lõpetamisel vähendage lõikesurvet ning hoidke kõvasti kinni tagumisest käepidemest ja esikäepidemest. (Joon. 63)

HOOLDUS



HOIATUS: Enne toote puhastamist, remontimist või hooldamist lugege ohutuspeatükki ja tehke selles olev teave endale arusaadavaks.

selles kasutusjuhendis kirjeldatud ei ole, pöörduge volitatud hoolduskeskuse poole.

Igapäevane hooldus

- Puhastage välispinnad.
- Veenduge, et gaasipäästiku lukusti ja gaasipäästik töötaksid õigesti.
- Puhastage ketipidur ja veenduge, et see töötaks õigesti.
- Veenduge, et ketipüüdjal poleks kahjustusi. Kui ketipüüdja on kahjustunud, vahetage see välja.

Hoolduskeem

Järgige kindlasti hoolduskeemi. Intervallide arvutamisel on aluseks võetud toote igapäevane kasutamine. Kui toodet ei kasutata igapäevaselt, on intervallid erinevad. Tehke ainult neid hooldustöid, mida on selles kasutusjuhendis kirjeldatud. Hooldustööde osas, mida

- Juhtplaadi ühtlasemaks kulumiseks pöörake see kord päevas ümber.
 - Veenduge, et juhtplaadi määrdeava poleks ummistunud.
 - Eemaldage saepuru ja muu praht veotähiku katte alt.
 - Puhastage juhtplaadi soont. (Joon. 64)
 - Veenduge, et juhtplaat ja saekett saaksid piisavalt õli.
 - Kontrollige, kas saekett
 - neetides või lülides on silmaga nähtavaid pragusid;
 - needid või lülid on ebaühtlaselt kulunud;
 - pingsus on õige;
 - keti veolülidel on kidasid.
- Vajaduse korral asendage saekett.
- Teritage saeketti. Vt jaotist *Saeketi teritamine lk 292*.
 - Kontrollige, kas veotähik on liigselt kulunud ja vajaduse korral asendage see. (Joon. 65)
 - Puhastage mootorikatte õhuvõtuava.
 - Veenduge, et mutrid ja kruvid oleksid pingutatud.
 - Veenduge, et toitelüliti töötaks korralikult.

Iganädalane hooldus

- Veenduge, et jahutussüsteem töötaks õigesti.
- Veenduge, et starter, käivitusnõr ja tagasitõmbevedru töötaksid õigesti.
- Veenduge, et vibratsioonisummutajad poleks kahjustunud.

(Joon. 66)

- Viilige maha karedus juhtplaadi külgedel.
- Puhastage summuti sädemepüüdur või vahetage see välja.

(Joon. 67)

- Puhastage karburaatori ja selle ümbruse välispinnad.
- Puhastage õhufilter. Kui õhufilter on kahjustatud või täielikuks puhastamiseks liiga määrdunud, siis paigaldage uus õhufilter. Lisateavet leiate jaotisest *Õhufiltri puhastamine lk 292*.

Igakuine hooldus

- Kontrollige, kas ketipiduri lintpidur pole kulunud. Asendage lintpidur, kui selle paksus kõige kulunumas kohas on alla 0,6 mm

(Joon. 68)

- Kontrollige, kas siduri keskosa, siduriketas ja sidurivedru pole kulunud
- Puhastage süüteküünal. Veenduge, et elektrodide vahe oleks õige.

(Joon. 69)

- Puhastage karburaatori ja selle ümbruse välispinnad.

- Kontrollige kütusefiltrit ja -voolikut. Vajaduse korral vahetage see välja.
- Tühjendage kütusepaak.
- Tühjendage õlipaak.
- Kontrollige kõiki juhtmeid ja ühendusi.

Iga-aastane hooldus

- Kontrollige süüteküünalt.
- Puhastage karburaatori ja selle ümbruse välispinnad.
- Puhastage jahutussüsteemi.
- Kontrollige sädemepüüdurit.
- Kontrollige kütusefiltrit.
- Veenduge, et kütusevoolikul poleks kahjustusi.
- Kontrollige kõiki juhtmeid ja ühendusi.

Hootine hooldamine

- Pärast 50 töötundi laske summuti volitatud hoolduskeskuses parandada või asendada.
- Hooldage süüteküünalt, kui
 - mootori võimsus on väike;
 - mootorit on keeruline käivitada;
 - mootor ei tööta tühikäigul õigesti.
- Kontrollige igal tankimisel keti määritust. Vt jaotist *Saeketi määrituse kontrollimine lk 292*.

Tühikäigu pöörete arvu reguleerimine

Enne tühikäigu pöörete arvu reguleerimist veenduge, et õhufilter oleks puhas ja õhufiltri kate asuks oma kohal.

1. Keerake tühikäigu reguleerimiskruvi, mis kannab tähist „T“, päripäeva, kuni saekett hakkab pöörlema.
2. Keerake tühikäigu reguleerimiskruvi, mis kannab tähist „T“, vastupäeva, kuni saekett peatub.
3. Tühikäigu pöörete arv peab jääma allapoole saeketi pöörlema hakkamise kiirusest. Tühikäigu pöörete arv on õige siis, kui mootor töötab igas asendis ühtlaselt.

Sädemepüüduri hooldamine

- Puhastage sädemepüüdur terasharjaga. (Joon. 70)

Süüteküünla hooldamine



ETTEVAATUST: Kasutage soovitatud tüüpi süüteküünalt. Veenduge, et asendustoodete oleks sama mis tootja tarnitud osa. Vale süüteküünal võib toodet kahjustada.

1. Kui toote käivitamine või töötamine on raskendatud, kontrollige, kas süüteküünlal leidub võõraineid. Süüteküünla elektrodidele võõrainete kogunemise ohu vähendamiseks:
 - a) veenduge, et tühikäigu pöörete arv oleks õigesti reguleeritud;
 - b) veenduge, et kütusesegu oleks õige;

- c) veenduge, et õhufilter oleks puhas.
2. Puhastage määratud süüteküünal. Veenduge, et elektrood vahe on õige. (Joon. 71)
 3. Vajaduse korral asendage süüteküünal.

Õhufiltri puhastamine

1. Eemaldage õhufiltri kate ja õhufilter. (Joon. 72)
2. Puhastage õhufilter sooja seebiveega. Enne tagasi paigaldamist veenduge, et õhufilter oleks kuiv.
3. Kui õhufilter on puhastamiseks liiga määratud, asendage see. Kahjustatud õhufilter tuleb alati välja vahetada.

Saeketi teritamine

Lõikur

Saagise lõikeosa nimetatakse lõikuriks ja see koosneb lõikehamba (A) ja sügavusindikaatorist (B). Lõike lõikamise sügavus määratakse kahe kõrguse erinevuse ja sügavusindikaatori (C) vahel.

(Joon. 73)

Kui lõikad hammaste teritamist, on neli olulist tegurit, mida meeles pidada:

- Esitamise nurk.

(Joon. 74)

- Lõikenurk.

(Joon. 75)

- Faili asukoht.

(Joon. 76)

- Vormitud läbimõõt.

(Joon. 77)

Lõikehammade teritamine

Kasutage lõikehammade teritamiseks ümarviili ja teritusmalli. Tootetele paigaldatud saeketi teritamiseks soovitatud ümarviili ja teritusmalli läbimõõdu kohta leiate teavet jaotisest *Saeketi viilimine ja saeketi kombinatsioonid lk 295*.

(Joon. 78)

1. Veenduge, et saekett oleks õigesti pingutatud. Valesi pingutatud kett liigub küljele ja seda ei saa õigesti teritada.
2. Teritage viiliga lõikehambaid ühelt poolt. Seejärel teritage lõikehambaid viiliga teiselt poolt ja vähendage viili tagasitõmbamisel survet.
3. Pöörake toode teisele küljele ja viilige lõikehambaid.
4. Viilige kõiki lõikehambaid ühtlaselt. Asendage kulunud saekett, kui lõikehammade pikkus on 4 mm.

Lõikesügavuse piiriku reguleerimine

Enne lõikesügavuse piiriku reguleerimist teritage lõikehambad. Vt jaotist *Lõikehammade teritamine lk 292*. Saehamba (A) teritamisel väheneb lõikesügavuse

piiriku seadeväärtus (C). Parima lõikevõime saavutamiseks peab kontsa õigele kõrgusele viilima. Keti jaoks õige lõikesügavuse leidmiseks lugege jaotist *Saeketi viilimine ja saeketi kombinatsioonid lk 295*.

(Joon. 79)

(Joon. 80)

Märkus: Seda soovitus saab rakendada siis, kui saehambad pole liiga madalaks viilitud.

Lõikesügavuse piirikut saate reguleerida lameviili ja teritusmalli abil.

1. Pange teritusmall saeketile. Teritusmalli kasutusjuhised on ka pakendil.
2. Teritusmallist välja ulatuva kontsa viilimiseks kasutage lameviili. Sügavusmõõt on õige siis, kui teil viili lükkamisel üle teritusmalli ei teki takistust.

Saeketi pingutamine

Märkus: Saeketi sissetöötamise ajal kontrollige selle pingsust regulaarselt.

1. Keerake lahti juhtplaadi kinnitusmutrid, mis hoiavad paigal veotähiku katet. Kasutage lehtsilmusvõtit. (Joon. 81)
2. Pingutage juhtplaadi kinnitusmutreid käsitsi nii kõvasti, kui võimalik.
3. Kergitage juhtplaadi otsa ja tõmmake saeketti, pingutades keti pingutuskruvi. Kasutage lehtsilmusvõtit. Pingutage saeketta, kuni see ei jää juhtplaadi alt ülespoole. (Joon. 82)
4. Pingutage juhttraat mutreid kombineeritud mutrivõtmega ja tõmmake juhttraami otsa samal ajal. (Joon. 83)
5. Veenduge, et saagi ketti saaksid käsitsi tõmmata ja et see ei laiaes. (Joon. 84)

Lõikeosa määrimine

Saeketi määrituse kontrollimine

Kontrollige igal tankimisel saeketi määritust.

1. Käivitage toode ja laske sel töötada 3/4 kiirusel. Suunake juhtplaadi ots umbes 20 cm kaugusele mõnest heledast pinnast.
2. Pärast minutit töötamist on heledal pinnal õlitriip.
3. Kui õlitriipu pärast ühte minutit ei teki, puhastage juhtplaadi õlikanalit. Puhastage juhtplaadi servas olev soon. Veenduge, et juhtplaadi nina veotähik pöörleks vabalt ja et määrideava poleks ummistunud. Otsige hammasratas puhastage ja määrige.
4. Käivitage toode ja laske sel töötada 3/4 kiirusel. Suunake juhtplaadi ots umbes 20 cm kaugusele mõnest heledast pinnast.
5. Pärast minutit töötamist on heledal pinnal õlitriip.
6. Kui õlitriipu pärast ühte minutit ei teki, pöörduge volitatud edasimüüja poole.

TRANSPORTIMINE

- Enne transportimist tühjendage kütuse- ja ketiõlipaak. Kõrvaldage kasutatud vedelikud kasutuselt õigesti.
- Asetage juhtplaadi kate transportimise ajal löikeosale. Nii saavad inimesed vältida tahtmatut kokkupuudet terava saeketiga. Mittetöötava terava saeketi puudutamine võib inimestele kehavigastusi põhjustada.
- Enne transportimist eemaldage süüteküünlalt süüteküünla kate ja rakendage ketipidur.
- Veenduge, et toode oleks transportimise ajal paigal.

HOIUSTAMINE

- Kui toodet ei kasutata, hoiustage seda ohutus kohas. Toote lekked ja aurud võivad kokku puutuda elektriseadmetest, elektriniidukitest, releedest, lülititest, boileritest jms pärit sädemete ja leekidega.
- Hoidke kütust selleks ettenähtud mahutis.
- Toote pikemaajalisel hoiustamisel tühjendage kütuse- ja ketiõlipaak. Kõrvaldage kasutatud vedelikud kasutuselt õigesti.
- Hoiustamise ajaks asetage juhtplaadile juhtplaadi kate. Nii saavad inimesed vältida tahtmatut kokkupuudet terava saeketiga. Mittetöötava terava saeketi puudutamine võib inimestele raskeid kehavigastusi põhjustada.
- Enne hoiustamist eemaldage süüteküünlalt süüteküünla kate ja rakendage ketipidur.

TEHNILISED ANDMED

	Ühik	130 (H13038HV)	135 Mark II (H13038HV)
Mootori mudel			
Silindri maht	cm ³	38	38
Süüteküünal	—	NGK BPMR 7A	NGK BPMR 7A
Elektroodi vahe	mm (tolli)	0,5 (0,02)	0,5 (0,02)
Kütusepaagi maht	cm ³	350	350
Tühikäigukiirus	min ⁻¹	2800–3200	2800-3200
Väljundvõimsus 9000 min ⁻¹ juures	kW	1,5	1,6
Heite püsimisaeg	H	125	125
Müra- ja vibratsioonandmed			
Samaväärne vibratsioonitase (ahv, eq), vasak käepide ⁹⁶	m/s ²	3,72	3,72
Samaväärne vibratsioonitase (ahv, eq), parem käepide ⁹⁷	m/s ²	5,5	5,5
Helivõimsuse tase, garanteeritud (L _{WA}) ⁹⁸	dB (A)	116	116

⁹⁶ Ekvivalentne vibratsioonitase arvutatakse vibratsioonitasemete kaalutud dünaamilise energia summana eri töötingimustel. Ekvivalentse vibratsioonitaseme kohta toodud andmete tüüpiline statistiline dispersioon (standardhälve) on 1,5 m/s².

⁹⁷ Ekvivalentne vibratsioonitase arvutatakse vibratsioonitasemete kaalutud dünaamilise energia summana eri töötingimustel. Ekvivalentse vibratsioonitaseme kohta toodud andmete tüüpiline statistiline dispersioon (standardhälve) on 1,5 m/s².

⁹⁸ Müraheide ümbritsevasse keskkonda, mõõdetud helivõimsuse tasemenähtena (L_{WA}).

	Ühik	130 (H13038HV)	135 Mark II (H13038HV)
Helivõimsuse tase, mõõdetud ⁹⁹	dB (A)	114	114
Helirõhu müratase seadme kasutaja kõrva juures ¹⁰⁰	dB (A)	102	102
Toote mõõtmed			
Kaal (v.a löikeosa)	kg	4,68	4,68
Õlipaagi maht	cm ³	260	260
Kütuse-/määrimissüsteem			
Õlipumba töömaht 9000 min ⁻¹ juures	ml/min	9	9
Õlipumba tüüp	—	Automaatne	Automaatne
Saekett ja juhtplaat			
Juhtplaadi standardpikkus	cm (tolli)	35–40 (14–16)	35–40 (14–16)
Juhtplaadi soovitatav pikkus	cm (tolli)	35–40 (14–16)	35–40 (14–16)
Kasutatav juhtplaadi pikkus	cm (tolli)	33–38 (13–15)	33–38 (13–15)
Saeketi suurim kiirus	m/s	22,3	22,3
Saeketi samm	mm (tolli)	9,52 (3/8)	9,52 (3/8)
Veolülide paksus (jämedus)	mm (tolli)	1,3 (0,050)	1,3 (0,050)
Veotähiku tüüp	—	Veotähik	Veotähik
Veotähik hammaste arv	—	6	6

ACCESSORIES (Lisavarustus)

Juhtplaadi ja saeketi kombinatsioonid

Juhtplaat				Saekett	
Pikkus	Ketisamm	Veolülide pak-sus	Maksimaalne tä-hiku hammaste arv.	Tüüp	Veolülide arv
14 tolli	3/8 tolli	0,050 tolli	7T	Husqvarna H37	52
16 tolli				Husqvarna S93G	56

⁹⁹ Mürasäde ümbritsevasse keskkonda, mõõdetud helivõimsuse tasemena (L_{WA}).

¹⁰⁰ Helirõhu mürataseme ekvivalent arvutatakse erinevate helirõhutasemetega kaalutud dünaamilise energia summana erinevates töötingimustes. Helirõhutaseme ekvivalendi statistilise tüüplevi standardhälve on 2,5 dB(A).

Saeketi viilimine ja saeketi kombinatsioonid

Keti tüüp	Ümarviili mõõt	Külgplaadi nurk	Ülemise plaadi nurk	Viilihoidiku nurk	Löikesügavuse piiriku seadeväär-tus	Löikesügavuse piiriku osa nr	Teritusmal-li osa nr
H37, S93G	5/32 tolli 4,0 mm	80°	30°	0°	0,025/0,65	5056981-03	5052437-01

EL-I VASTAVUSDEKLARATSIOONI SISU

Meie, Husqvarna AB, SE 561 82 Huskvarna, ROOTSI, deklareerime ainuvastutusel, et kirjeldatud toode

Allkirjastatud vastavusdeklaratsioonil toodud tüübikontrolli sertifikaat, mis vastab lisale IX, kehtib kõikidele tootel viidatud tootmiskohtadele ja päritoluriikidele.

Kettsaag on identne EÜ tüübikontrolli läbinud seadmega.

Kirjeldus	Bensiinimootoriga kett-saag
Kaubamärk	Husqvarna
Platvorm/tüüp/mudel	Platvorm H13038HV, mille alla kuulub mudel 130, 135 Mark II
Partii	Seerianumber alates 2018. aastast

vastab täielikult järgmistele EÜ direktiividele ja eeskirjadele:

Direktiiv/eeskiri	Kirjeldus
2006/42/EÜ	„masinadirektiiv“
2014/30/EL	„elektromagnetilise ühildu-vuse direktiiv“
2000/14/EÜ	„välitingimustes kasutata-vate seadmete müra dir-ektiiv“
2011/65/EL	„direktiiv teatavate ohtlike ainete kasutamise piira-mise kohta“

Kohalduvad järgmised ühtlustatud standardid ja/või tehnilised spetsifikatsioonid: EN ISO 12100, EN ISO 11681-1, CISPR 12, ISO 14982

Vastavalt direktiivi 2000/14/EÜ lisale V on deklareeritud helitaseme väärtused toodud tehniliste andmete jaotises ja allkirjastatud EL-i vastavusdeklaratsioonis.

TÜV Rheinland LGA Products GmbH, Tillystraße 2 - 90431 Nürnberg, Saksamaa, teavitatud asutus masinate puhul (teavitatud 0197 alusel), on teinud EÜ tüübikontrolli vastavalt masinadirektiivi (2006/42/EÜ) artikli 12 punktile 3b.

TURINYS

IVADAS	296	TRANSPORTAVIMAS	306
SAUGA	297	LAIKYMAS	306
SURINKIMAS	301	TECHNINIAI DUOMENYS	306
NAUDOJIMAS	301	PRIEDAI	308
PRIEŽIŪRA	303	EB ATITIKTIES DEKLARACIJOS TURINYS	308

IVADAS

Naudojimo instrukcija

Pirminė šios naudojimo instrukcijos kalba yra anglų.
Naudojimo instrukcijos kitomis kalbomis yra verstos iš anglų kalbos.

Apžvalga

(Pav. 1)

1. Cilindro dangtelis
2. Kuro siurbliukas
3. Gaminio ir serijos numerio plokštelė
4. Informacinė ir įspėjimo lentelė
5. Stabdymo jungiklis
6. Galinė rankena
7. Kuro bakelis
8. Starterio virvės rankena
9. Starterio korpusas
10. Virtimo krypties žyma
11. Grandinės alyvos bakas
12. Priekinė rankena
13. Grandinės stabdis ir mechaninio saugiklio svertas
14. Duslintuvas
15. Pjūklo grandinė
16. Pjovimo juostos žvaigždutė
17. Kreipiančioji juosta
18. Grandinės įtempimo varžtas (130)
19. Grandinės įtempimo varžtas (135 Mark II)
20. Buferis
21. Grandinės gaudiklis
22. Sankabos dangtelis
23. Dešinioios rankos apsauginis skydas
24. Akceleratoriaus gaidukas
25. Akceleratoriaus gaiduko fiksatorius
26. Kreipiančiosios juostos dangtelis
27. Kombinuotasis įrankis
28. Naudojimo instrukcija

Simboliai ant gaminio

(Pav. 2) Įspėjimas

(Pav. 3) Perskaitykite šį vadovą

- (Pav. 4) Naudokite patvirtintą galvos apsaugą, apsaugines ausines ir akių apsaugos priemones
- (Pav. 5) Naudokite patvirtintas apsaugines pirštines
- (Pav. 6) Šis gaminys atitinka taikomas EB direktyvas
- (Pav. 7) Triukšmingumas
- (Pav. 8) Grandinės stabdys, neįjungtas (kairėje).
Grandinės stabdys, įjungtas (dešinėje).
- (Pav. 9) Oro sklendė
- (Pav. 10) Kuro siurbliukas
- (Pav. 11) Degalų papildymas
- (Pav. 12) Grandinės alyvos pripildymas
- (Pav. 13) Šis gaminys atitinka taikomas EAC direktyvas
- (Pav. 14) Šis gaminys atitinka taikomas Ukrainos direktyvas
- (Pav. 15) Šis gaminys atitinka taikomas Korėjos direktyvas
- (Pav. 16) Šis gaminys atitinka taikomas Japonijos direktyvas
- (Pav. 17) Triukšmo lygis
- (Pav. 18) Tvirtai laikykite gaminį abejomis rankomis
- (Pav. 19) Nenaudokite laikydami viena ranka
- (Pav. 20) Venkite kontakto kreipiančiosios juostos galu
- (Pav. 21) Saugokitės atatranks

Šis gaminys atitinka taikomas Australijos ir Naujosios Zelandijos elektromagnetinio suderinamumo direktyvas.
(Pav. 22)

Pasižymėkite: Kiti ant gaminio pateikti simboliai (lipdukai), skirti kitų komercinių teritorijų sertifikavimo reikalavimams.

65 pasiūlymas

(Pav. 23)

EU V



PERSPĖJIMAS: Variklio modifikavimas panaikina šio produkto ES tipo patvirtinimą.

Gaminio patikimumas

Kaip nurodyta atsakomybės už gaminį įstatymuose, mes nesame atsakingi už mūsų gaminio sukeltą žalą, jei:

- gaminys netinkamai suremontuotas.
- gaminys suremontuotas naudojant kito gamintojo arba gamintojo nepatvirtintas dalis.
- gaminys turi kito gamintojo arba gamintojo nepatvirtintą priedą.
- gaminys suremontuotas ne patvirtintame techninės priežiūros centre arba jį suremontavo ne patvirtintas atstovas.

SAUGA

Saugos ženklų reikšmės

Toliau apibrėžiamas signalinių žodžių žymimas pavojus.



PERSPĖJIMAS: Gali susižeisti asmenys.



PASTABA: Galima sugadinti gaminį.

Pasižymėkite: Ši informacija padeda gaminį naudoti saugiau.

Bendrieji saugos nurodymai

- Naudokite gaminį tinkamai. Netinkamai naudojant galima susižeisti arba žūti. Produktą naudokite tik šiame vadove nurodytiems darbams. Nenaudokite gaminio kitiems darbams.
- Perskaitykite, supraskite ir vadovaukitės šio vadovo instrukcijomis. Paisykite saugos simbolių ir saugos nurodymų. Naudotojai nepaisant instrukcijų ir simbolių, galima susižeisti, sugadinti įrangą arba žūti.
- Neišmeskite šio vadovo. Šias instrukcijas naudokite gaminiui surinkti, naudoti ir prižiūrėti. Šias instrukcijas naudokite priedams tinkamai prijungti. Naudokite tik patvirtintus priedus.
- Sugadinto gaminio nenaudokite. Paisykite priežiūros grafiko. Atlikite tik šiame vadove aprašytus priežiūros darbus. Visus kitus priežiūros darbus turi atlikti patvirtintas techninės priežiūros centras.
- Šiame vadove negali būti numatytos visos situacijos, su kuriomis galite susidurti naudodami gaminį. Būkite atsargūs ir apdairūs. Gaminio nenaudokite ir

neatlikite priežiūros darbų, jei nesate tikri dėl jo būklės. Jei reikia informacijos, kreipkitės į gaminio ekspertą, pardavimo atstovą, techninės priežiūros atstovą arba patvirtintą techninės priežiūros centrą.

- Prieš surinkdami gaminį, ruošdami jį saugoti arba atlikdami priežiūros darbus, atjunkite uždegimo žvakės kabelį.
- Nenaudokite gaminio, jei pasikeitė jo pradiniai techniniai duomenys. Nekeiskite gaminio dalių, neturinčių gamintojo patvirtinimo. Naudokite tik gamintojo patvirtintas dalis. Netinkamai prižiūrint gaminį galima susižeisti arba žūti.
- Neįkvėpkite variklio skleidžiamų dujų. Ilgą laiką įkvėpiant variklio išmetamųjų dujų, grandinės alyvos purslių ir pjovimo dulkių, gali kilti pavojus sveikatai.
- Neužveskite gaminio patalpoje arba greta degių medžiagų. Išmetamosios dujos yra karštos, jose gali būti kibirkščių, kurios gali sukelti gaisrą. Jei stinga oro, galima pakenkti sveikatai arba žūti uždusęs ar apsinuodijus anglies monoksidu.
- Šis gaminys veikdamas sukuria elektromagnetinį lauką. Elektromagnetinis laukas gali sugadinti medicininius implantus. Prieš pradėdami naudoti šį gaminį, pasitarkite su savo gydytoju ir medicininio implanto gamintoju.
- Neleiskite gaminio naudoti vaikams.
- Neleiskite gaminio naudoti su instrukcijomis nesusipažinusiems asmenims.
- Visada prižiūrėkite gaminį naudojantį fizinę arba protinę negalią turintį asmenį. Būtina nuolatinė atsakingo suaugusiojo priežiūra.
- Užrakinkite gaminį vaikams ir nepatvirtintiems asmenims nepasiekiamoje vietoje.
- Iš gaminio gali išskrieti ir sužaloti pašaliniai objektai. Paisykite saugos nurodymų, kad sumažėtų sužeidimų arba žūties pavojus.

- Nepalikite gaminio be priežiūros, kai užvestas variklis. Išjunkite variklį ir įsitinkinkite, kad grandinė nesisuka.
- Už nelaimingą įvykį atsakingas gaminio naudotojas.
- Prieš naudodami gaminį įsitinkinkite, kad jo dalys nepažeistos.
- Atsižvelkite į nacionalinius arba vietinius įstatymus. Jie gali drausti arba riboti gaminio naudojimą konkrečiomis sąlygomis.

Saugos nurodymai dėl darbo

- Nepertraukiamai arba reguliariai naudojantis gaminiu, dėl vibracijos gali atsirasti baltų pirštų sindromas arba panašios medicininės problemos. Jei gaminiu dirbate nepertraukiamai arba reguliariai, įvertinkite savo rankų ir pirštų būklę. Jei rankų ar pirštų spalva pakitusi, jaučiate skausmą, dilgčiojimą ar nutirpimą, nustokite dirbti ir nedelsdami kreipkitės į gydytoją.
- Prieš naudodami gaminį įsitinkinkite, kad produktas visiškai surinktas.
- Iš gaminio gali išskrieti pašaliniai objektai, kurie gali pažeisti akis. Dirbdami gaminiu visada naudokite patvirtintas akių apsaugos priemones.
- Būkite apdairūs – darbo metu be jūsų žinios prie gaminio gali prisitarti vaikai.
- Jei darbo zonoje yra pašalinių asmenų, gaminio nenaudokite. Į darbo zoną įžengus pašaliniams asmenims, išjunkite gaminį.

(Pav. 24)

- Pasirūpinkite, kad niekada neprarastumėte gaminio kontrolės.
- Gaminio turi būti dirbama laikant jį dviem rankomis. Nedirbkite gaminiu laikydami jį viena ranka. Jei dirbama laikant gaminį viena ranka, gali būti rimtai sužeistas operatorius, darbuotojai ir (arba) aplinkiniai.
- Laikykite priekinę rankeną kairiaja, o galinę – dešiniąja ranka. Gaminį laikykite dešinėje kūno pusėje.

(Pav. 25)

- Nenaudokite gaminio, jeigu esate pavargę, sergate arba vartojote alkoholio ar kitų narkotinių medžiagų.
- Nenaudokite gaminio, jei nelaimės atveju negalėtumėte sulaukti pagalbos. Prieš pradėdami naudoti įrenginį pasirūpinkite, kad aplinkiniai žinotų, jog ketinate naudoti įrenginį.
- Nesisukite su gaminiu prieš tai neįsitikinę, kad saugioje zonoje nėra pašalinių asmenų arba gyvūnų.
- Prieš pradėdami pašalinkite iš darbo zonos visus pašalinius objektus. Grandinei užkliudžius pašalinį objektą, objektas gali būti išsviestas ir sužaloti arba sugadinti įrangą. Pašalinės medžiagos gali apsvyoti aplink grandinę ir sugadinti gaminį.
- Nenaudokite gaminio prastu oru, pvz., esant rūkui, lietai, stipriam vėjui, žaibo tikimybei ar kitoms nepalankioms oro sąlygoms. Dėl prasto oro gali susidaryti pavojingos sąlygos, pvz., slidūs paviršiai.

- Įsitinkinkite, kad galite judėti laisvai ir dirbti stabilioje padėtyje.
- Įsitinkinkite, kad naudodami įrenginį nenugriūsite. Naudodami gaminį nepasivirkite.
- Gaminį visada laikykite abiem rankomis. Laikykite priekinę rankeną kairiaja, o galinę – dešiniąja ranka. Gaminį laikykite dešinėje kūno pusėje.
- Jei užvedant variklį oro sklendės rankenėlė yra uždarytos oro sklendės padėtyje, grandinė pradeda sukstis.
- Prieš perkeldami gaminį išjunkite variklį.
- Nepadėkite gaminio, kai užvestas variklis.
- Prieš šalinami iš gaminio pašalines medžiagas, išjunkite variklį. Jei jūs ar pagalbininkas ketina pašalinti nupjautą medžiagą, palaukite, kol grandinė nustos sukstis.
- Neįjunkite šiuo gaminiu įsilipę į medį. Jeigu naudosite gaminį įsilipę į medį, galite susižeisti.

(Pav. 26)

- Užvedant gaminį grandinės stabdys turi būti įjungtas, kad sumažėtų pavojus užvedimo metu prisiliesti prie pjūklo grandinės.

(Pav. 27)

- Venkite atatrunkos, nuslydimo, atšokimo ir staigaus nusileidimo, nes galite rimtai susižeisti ir sužeisti kitus.
- Laikykitės visų saugos taisyklių, kad išvengtumėte atatrunkos ir kitų jėgų, dėl kurių galite rimtai susižeisti ir sužeisti kitus.
- Reguliariai sureguliuokite pjūklo grandinės įtempimą, kad užtikrintumėte, jog grandinė nėra atsilaisvinusi. Atsilaisvinusi pjūklo grandinė gali nukristi ir sunkiai ar net mirtinai sužeisti.
- Nekirskite medžių naudodami netinkamą procedūrą. Galite sužeisti asmenis, kliudyti inžinerines linijas ar apgadinti nuosavybę.
- Dirbantysis pjūklui turi laikytis įkalnės pusėje, nes nuverstas medis veikiausiai riedės arba slys į pakalnę.

(Pav. 28)

- Prieš pradėdami pjovimo darbus, suplanuokite ir atlaisvinkite atsitraukimo kelią. Atsitraukimo kelias turi driektis už numatomos medžio kritimo linijos ir įstrižai įai.

(Pav. 29)

- Prieš pernešdami gaminį nuo vieno medžio prie kito, visada išjunkite variklį.
- Eidami tvirtai statykite kojas ant žemės ir tolygiai paskirstykite savo svorį.

(Pav. 30)

- Visuomet tvirtai stovėkite ant kojų ir naudokite gaminį tik tuomet, kai stovite ant nejudančio, tvirto ir lygaus paviršiaus. Ant slidžių arba nestabilių paviršių, pvz., kopėčių, galite prarasti pusiausvyrą arba kontrolę.

(Pav. 31)

Atatranka, nuslydimas, atšokimas ir staigus nusileidimas

Saugiam gaminio valdymui įtakos gali turėti skirtingos jėgos.

- **Nuslydimas** – kai kreipiančioji juosta greitai praslysta medienos paviršiumi.
- **Atšokimas** – kai kreipiančioji juosta pakartotinai pakyla nuo medienos ir, nusileidusi, vėl ją paliečia.
- **Staugus nusileidimas** – kai baigus pjauti, įrenginys nusileidžia žemyn. Tokiu metu besisukanti grandinė gali paliesti kurią nors kūno dalį ar kitus objektus ir sužeisti arba ką nors apgadinti.
- **Atatranka** – kai kreipiančiosios juostos galas paliečia objektus ir pajuda atgal, į viršų arba staiga į priekį. Atatranka taip pat įvyksta tada, kai pjaunamos medienos tarpas susiaurėja ir pjūklo grandinė pjovimo metu suspaudžiama. Gaminiiui palietus medienoje esantį objektą, galima prarasti gaminio kontrolę. (Pav. 32)
- **Rotacinė atatranka** gali įvykti, kai judanti grandinė paliečia objektą kreipiančiosios juostos viršutinėje dalyje. Tokiu atveju grandinė gali įstrigti objekte ir iškart nustoti judėti. Rezultatas – labai greitas atoveiksmis priešinga kryptimi, pakeliantis kreipiančiąją juostą aukštyn ir atgal, link naudotojo. (Pav. 33)
- **Suspaudimo atatranka** gali įvykti, kai judanti grandinė pjovimo metu staiga sustoja. Mediena užsiveria ir suspaudžia judančią pjūklo grandinę kreipiančiosios juostos viršuje. Grandinei staiga sustojus, jos sukimosi jėgos kryptis pasikeičia į priešingą ir įrenginys priverčiamas judėti priešinga kryptimi. Įrenginys pradeda judėti atgal, link naudotojo. (Pav. 34)
- **Įtraukimas** gali pasireikšti tada, kai judanti pjūklo grandinė, apatine kreipiančiosios juostos dalimi palietusi medienoje esantį objektą, staiga sustoja. Grandinei staiga sustojus, įrenginys patraukiamas į priekį, tolyn nuo naudotojo, todėl naudotojas gali lengvai prarasti gaminio kontrolę. (Pav. 35)

Prieš naudodami gaminį įsitikinkite, kad suprantate, kaip veikia skirtingos jėgos ir kaip jų išvengti. Žr. *Kaip išvengti atatrankos, nuslydimų, atšokimo ir staigaus nusileidimo psl. 299.*

Kaip išvengti atatrankos, nuslydimų, atšokimo ir staigaus nusileidimo

- Kai variklis veikia, laikykite gaminį tvirtai. Dešinę ranką laikykite ant galinės rankenos, o kairę – ant priekinės rankenos. Rankenas laikykite tvirtai apglėbę pirštais. Nepalieskite.
- Išlaikykite gaminio kontrolę ir pjovimo metu, ir medžiui jau nukritus ant žemės. Nupjovę neleiskite gaminiiui dėl jo svorio staiga nusileisti.

- Įsitikinkite, kad vietoje, kurioje pjaunate, nėra kliuvinių. Kai naudojate gaminį, neleiskite kreipiančiosios juostos galui paliesti rąsto, šakos ar kitų kliuvinių. (Pav. 36)
- Pjaukite palaikydami aukštas variklio apsakas.
- Nesistenkite pasiekti tolimos šakos ir nepjaukite aukščiau savo pečių linijos. (Pav. 37)
- Laikykites gamintojo pateiktų pjūklo grandinės galandimo ir techninės priežiūros nurodymų.
- Naudokite tik gamintojo nurodytas kreipiančiąsias juostas ir pjūklo grandines.
- Pasirinkus per didelį gylio reguliavimo ribotuvo nustatymą, padidėja atatrankos pavojus!

Asmeninės apsauginės priemonės

- Dirbdami gaminiiu visada naudokite tinkamas asmenines apsaugines priemones. Asmeninės apsauginės priemonės nepašalina sužeidimų pavojaus, tačiau sumažina jų laipsnį nelaimės atveju.
- Nedėvėkite laisvų drabužių, kurie gali būti įtraukti į pjūklo grandinę.
- Naudokite patvirtintą apsauginį šalmą.
- Dirbdami gaminiiu visada naudokite apsaugines ausines. Ilgalais triukšmas gali pakenkti klausai.
- Naudokite apsauginius akinius ar antveidį, kad sumažintumėte pavojų susižeisti nuo išsviestų objektų. Gaminys gali didele jėga išsviesti objektus, pvz., skiedras ir medienos gabalėlius. Tai gali rimtai sužeisti, ypač akis.
- Naudokite pirštines su apsauga nuo grandininio pjūklo.
- Naudokite kelnes su apsauga nuo grandininio pjūklo.
- Naudokite aulinius batus su apsauga nuo grandininio pjūklo, plienine pirštų apsauga ir rantytu padu.
- Šalia visada turėkite pirmosios pagalbos rinkinį.
- Kibirkštys gali kilti iš duslintuvo, nuo kreipiančiosios juostos, pjūklo grandinės arba kito šaltinio. Visada turėkite gaisro gesinimo priemonių ir kastuvą, kad galėtumėte apsaugoti mišką nuo gaisro.

Gaminio apsauginės priemonės

- Nenaudokite gaminio, jei jo apsauginės priemonės pažeistos. Jei gaminys pažeistas, kreipkitės į patvirtintą techninės priežiūros centrą.

Patikrinkite išjungimo jungiklį

1. Paleiskite variklį. Žr. *Prieš paleidžiant variklį psl. 302.*
2. Įsitikinkite, kad variklis sustoja, kai perjungiate stabdymo jungiklį į išjungimo padėtį.

Kaip patikrinti akceleratoriaus gaiduko fiksatorių

1. Įsitikinkite, kad atleidus akceleratoriaus gaiduko fiksatorių (A), akceleratoriaus gaidukas (B) užfiksuoja tuščiosios eigos padėtyje. (Pav. 38)
2. Paspauskite akceleratoriaus gaiduko fiksatorių (A) ir patikrinkite, ar atleidus jis grįžta į savo pradinę padėtį.

3. Paspauskite akceleratoriaus gaiduką (B) ir patikrinkite, ar atleidus jis grįžta į savo pradinę padėtį.
4. Užveskite variklį ir iki galo nuspauskite akceleratoriaus gaiduką.
5. Atleiskite akceleratoriaus gaiduką ir patikrinkite, ar pjūklas grandinė sustoja.
6. Jei pjūklo grandinė sukasi, kai akceleratorius yra tuščiosios eigos padėtyje, patikrinkite karbiuratoriaus tuščiosios eigos reguliavimo varžtą.

Skymas

Skymas apsaugo naudotoją, kad į jį nepataikytų išmetami objektai. Skymas taip pat apsaugo, kad naudotojas netyčia nepaliestų pjūklo grandinės.

- Įsitikinkite, kad skydą leidžiama naudoti kartu su gaminiu.
- Nenaudokite gaminio be skydo.
- Įsitikinkite, kad skydas nepažeistas. Pakeiskite skydą, jei jis nusidėvėjęs ar įtrūkęs.

Saugumo reikalavimai kurui

- Neužveskite gaminio, jei ant gaminio yra kuro arba variklio alyvos. Nuvalykite nepageidaujamą kurą / alyvą ir palaukite, kol gaminys išdžius. Nuvalykite nuo gaminio nepageidaujamą kurą.
- Apsipykę drabužius kuru nedelsiant persirenkite.
- Neapsipilkite kūno kuru, nes jis gali sužaloti. Apsipykę kūną kuru, jį nusiplaukite muilu ir vandeniui.
- Neužveskite variklio, jei apliejote gaminį arba kūną alyva arba kuru.
- Neužveskite gaminio, jei iš variklio sunkiasi skysčiai. Reguliariai tikrinkite, ar iš variklio nesisunkia skysčiai.
- Atsargiai elkitės su kuru. Kuras yra degus, o jo garai – sprogūs, todėl neatsargiai elgiantis galima susižaloti arba žūti.
- Neįkvėpkite kuro garų, nes jie gali sužaloti. Pasirūpinkite tinkamu vėdinimu.
- Nerūkykite greta kuro arba variklio.
- Nedėkite šiltų objektų greta kuro arba variklio.
- Nepilkite kuro, kai variklis užvestas.
- Prieš pildami kurą įsitikinkite, ar variklis ataušęs.
- Prieš pildami kurą lėtai atidarykite kuro bakelio dangtelį ir atsargiai išleiskite slėgį.
- Nepilkite į variklį kuro būdami patalpoje. Dėl oro stygiaus galima susižaloti arba žūti uždusius arba apsinuodijus anglies monoksidu.
- Kruopščiai priveržkite kuro bakelio dangtelį, nes antraip gali kilti gaisras.
- Prieš pradėdami darbą patraukite gaminį mažiausiai 3 m (10 pėdų) nuo vietos, kurioje pylėte kurą.
- Nepripilkite į kuro bakelį pernelyg daug kuro.

- Pasirūpinkite, kad perkeliant gaminį arba kuro bakelį iš jo neišsiliėtų kuras.
- Nestatykite gaminio arba kuro bakelio greta atviros liepsnos, kibirkščių arba degiklio. Įsitikinkite, kad laikymo patalpoje nėra atviros liepsnos.
- Kurą gabenkite ir laikykite tik patvirtintuose bakeliuose.
- Prieš palikdami gaminį saugoti ilgesniam laikui, ištuštinkite kuro bakelį. Kurą utilizuokite atsižvelgdami į vietinius įstatymus.
- Nuvalykite gaminį prieš palikdami jį saugoti ilgesniam laikui.
- Prieš palikdami gaminį saugoti ilgesnį laiką atjunkite uždegimo žvakės kabelį, kad variklis netikėtai neužsivestų.

Priežiūros saugos instrukcijos

- Prieš atlikdami gaminio priežiūros darbus (išskyrus karbiuratoriaus reguliavimą), atjunkite uždegimo žvakę.
- Visus gaminio aptarnavimo darbus, išskyrus užduotis, aprašytas skyriuje *PRIEŽIŪRA psl. 303*, turi atlikti patvirtintas pardavėjas.
- Patikrinkite, ar pjūklo grandinė sustoja atleidus akceleratoriaus gaiduką.
- Pasirūpinkite, kad rankenos būtų sausos, švarios ir nesuteptos alyva ar kuro mišiniu.
- Dangteliai ir tvirtinimo elementai turi būti tinkamai užveržti.
- Naudojant nepatvirtintus komponentus arba nuėmus saugos įtaisus, galima pažeisti gaminį. Taip pat gali būti sužeistas operatorius ar šalia esantys asmenys. Naudokite tik originalius priedus ir atsargines dalis. Nekeiskite gaminio.
- Kad darbas vyktų saugiai ir efektyviai, pasirūpinkite, kad pjūklo grandinė būtų aštri ir švari.
- Laikykitės priedų tepimo ir keitimo nurodymų.
- Patikrinkite, ar nėra apgadintų gaminio dalių. Prieš toliau naudodami gaminį įsitikinkite, kad apgadintas skydas ar dalis veikia tinkamai. Patikrinkite, ar nėra sulūžusių ar netinkamai sulygiuotų dalių ir dalių, kurios negali laisvai judėti. Patikrinkite, ar nėra kitų sąlygų, kurios gali turėti įtakos gaminio veikimui. Įsitikinkite, kad gaminys sumontuotas tinkamai. Skydą ar kitą apgadintą dalį turi sutaisyti arba pakeisti patvirtintas pardavėjas, nebent naudojimo instrukcijoje nurodyta kitaip.
- Kai gaminys nenaudojamas, laikykite jį sausoje ir vaikams nepasiekiamoje arba užrakintoje vietoje.
- Gaminį transportuodami arba saugodami, naudokite kreipiančiosios juostos dangtelį.
- Nenaudokite panaudotos alyvos. Panaudota alyva gali būti jums pavojinga ir pakenkti gaminiui bei aplinkai.

SURINKIMAS



PERSPĖJIMAS: Prieš surinkdami gaminį perskaitykite ir supraskite skyrių apie saugą.

Kreipiančiosios juostos ir pjūklo grandinės surinkimas

1. Surinkimo metu nuimkite uždegimo žvakės antgalį nuo uždegimo žvakės, kad išvengtumėte netyčinio paleidimo. (Pav. 39) (Pav. 40)
2. Išsukite juostos veržles ir nuimkite sankabos gaubtą. Nuimkite gabenimo apsaugą (A). (Pav. 41)
3. Užmaukite kreipiančiąją juostą ant juostos varžtų. Perstumkite kreipiančiąją juostą į tolimiausią galinę padėtį.
4. Užsidėkite apsaugines pirštines, skirtas darbui su grandininio pjūklu.
5. Uždėkite pjūklo grandinę ant varančiosios žvaigždutės ir įstatykite ją į griovelį kreipiančiojoje juostoje. Pradėkite nuo kreipiančiosios juostos viršutinės pusės. (Pav. 42)
6. Patikrinkite, ar pjaunančiųjų grandžių briaunos viršutinėje kreipiančiosios juostos pusėje yra nukreiptos į priekį.
7. Uždėkite sankabos gaubtą ir įstatykite kreipiančiosios juostos angą ant grandinės reguliavimo gaubto kaiščio.
8. Įsitinkinkite, kad pjūklo grandinės varantieji nareliai tinkamai uždėti ant varančiosios žvaigždutės. Taip pat įsitinkinkite, kad pjūklo grandinė tinkamai įstatyta į kreipiančiosios juostos griovelį.
9. Pirštais priveržkite kreipiančiosios juostos veržles.
10. Kombinuotuoju veržliarakčiu sukite grandinės įtempimo varžtą pagal laikrodžio rodyklę ir taip įtempkite pjūklo grandinę. Veržkite pjūklo grandinę, kol ji standžiai priglus prie kreipiančiosios juostos apatinės briaunos, bet ją dar bus galima lengvai prasukti ranka. (Pav. 43) ir (Pav. 44)
11. Laikykite už kreipiančiosios juostos galo ir priveržkite juostos veržles kombinuotuoju veržliarakčiu. (Pav. 45)
 - Sumontavę naują pjūklo grandinę ir kol ji bus įdirbta, dažnai tikrinkite jos įtempimą.
 - Reguliariai tikrinkite grandinės įtempimą. Jei grandinė įtempta tinkamai, užtikrinami geri pjovimo rezultatai ir ilgaamžiškumas.

NAUDOJIMAS



PERSPĖJIMAS: Prieš naudodami gaminį perskaitykite ir supraskite skyrių apie saugą.

Kuro naudojimas



PASTABA: Gaminys turi dviejų ciklų variklį. Naudokite benzino ir dviejų ciklų varikliui skirtos variklio alyvos mišinį. Būtinai naudokite tinkamo alyvos kiekio mišinį. Netinkamas benzino ir alyvos santykis gali sugadinti variklį.

Kuro mišinio santykis

Benzino ir dvitakčių variklių alyvos kuro mišinio santykis yra 50:1 (2 %)

Benzinas	Dvitakčių variklių alyva
1 galonas (JAV)	77 ml (2,6 unc.)
1 galonas (JK)	95 ml (3,2 unc.)
5 l	100 ml (3,4 unc.)

Kuro mišinio maišymas

1. Paruoškite tinkamą kiekį benzino ir variklio alyvos (mišinio santykis 50:1). Nemaišykite kuro mišinio kiekio ilgiam kaip 30 dienų laikotarpiui. Žr. *Kuro mišinio santykis psl. 301.*
2. Įpilkite pusę benzino kiekio į švarią kuro talpą su vožtuvu, apsaugančiu nuo išliejimo.



PASTABA: Nenaudokite benzino, kurio etanolio koncentracija didesnė kaip 10 % (E10). Antraip galima sugadinti gaminį.



PASTABA: Nenaudokite benzino, kurio oktaninis skaičius yra mažesnis nei 90 RON (87 AKI). Antraip galima sugadinti gaminį.

3. Įpilkite į kuro talpą visą dvitakčių variklių alyvos kiekį.



PASTABA: Visada naudokite aukštos kokybės alyvą, skirtą oru aušinamiems

dvitakčiams varikliams. Naudojant kitokio tipo alyvą, galima sugadinti gaminį.

4. Suplakite kuro mišinį, kad komponentai susimaišytų.
5. Supilkite į kuro talpą likusį benzino kiekį.
6. Suplakite kuro mišinį, kad komponentai susimaišytų.
7. Supilkite kuro mišinį į gaminio kuro bakelį. Žr. *Kuro mišinio santykis psl. 301*.

Kuro bakelio užpildymas

1. Įsitinkite, kad naudojamas tinkamas kuro mišinys ir kad jis paruoštas kuro talpoje su vožtuvu, apsaugančiu nuo išliejimo.
2. Jei ant talpos yra išlieto kuro, nuvalykite jį ir palaukite, kol talpa išdžius.
3. Įsitinkite, kad plotas aplink kuro bakelio dangtelį yra švarus.
4. Nuimkite kuro bakelio dangtelį. (Pav. 46)
5. Prieš pildami kuro mišinį į kuro bakelį, talpą su kuru suplakite.
6. Uždėkite kuro bakelio dangtelį.

Pjūklo grandinės tepimas

Gaminyje yra automatinė tepimo sistema. Naudokite tik tinkamą grandinės alyvą ir laikykitės nurodymų.

1. Naudokite augalinės kilmės grandinės alyvą arba standartinę grandinės alyvą.
2. Įsitinkite, kad plotas aplink pjūklo grandinės alyvos bakelio dangtelį yra švarus.
3. Nuimkite pjūklo grandinės alyvos bakelio dangtelį.
4. Užpildykite pjūklo grandinės alyvos bakelį rekomenduojama pjūklo grandinės alyva.
5. Uždėkite pjūklo grandinės alyvos bakelio dangtelį.

Prieš paleidžiant variklį

- Apžiūrėkite, ar gaminiui netrūksta dalių, ar jis neturi pažeistų, nepritvirtintų arba susidėvėjusių dalių.
- Apžiūrėkite varžles ir varžtus.
- Apžiūrėkite oro filtrą.
- Apžiūrėkite akceleratoriaus gaiduko fiksatorių ir patikrinkite, ar akceleratoriaus gaidukas tinkamai veikia.
- Patikrinkite, ar tinkamai veikia išjungimo jungiklis.
- Patikrinkite, ar neprateka degalai.
- Patikrinkite pjūklo grandinės aštrumą ir įtempimą.

Šilto variklio užvedimas

1. Pastumkite priekinę rankos apsaugą į priekį, kad įjungtumėte grandinės stabdį. (Pav. 47)
2. Patraukite oro sklendės rankenėlę ir ją pakelkite.
3. Nuspauskite kuro siurbliuką 6 kartus. (Pav. 48)
4. Laikykite gaminio korpusą ant žemės kairiąją ranka. Gaminio nepriminkite koja Lėtai traukite starterio

virvę, kol pajusite pasipriešinimą. Tada patraukite starterio virvę visa jėga. (Pav. 49)

Pasižymėkite: Užvesdami variklį nespauskite akceleratoriaus gaiduko.

5. Traukite starterio virvės rankenėlę, kol variklis užsiveda arba bando užsivesti (daugiausia 3 kartus). Varikliui užsivedus arba bandant užsivesti, nuspauskite oro sklendės rankenėlę žemyn. (Pav. 50)



PASTABA: Netraukite starterio virvės iki pat galo. Nepaleiskite starterio virvės, kai ji visiškai ištraukta. Lėtai atleiskite starterio virvę. Nepaisydami šių nurodymų galite sugadinti variklį.

6. Traukite, kol variklis užsives. Užvedę variklį palaukite 60 sekundžių prieš nuspausdami akceleratoriaus gaiduką.
7. Patraukite priekinę rankos apsaugą link priekinės rankenos, kad išjungtumėte grandinės stabdį.
8. Laikykite galinę rankeną dešiniąja, o priekinę – kairiąją ranka.
9. Naudokitės gaminiu.

Šilto variklio užvedimas

1. Pastumkite priekinę rankos apsaugą į priekį, kad įjungtumėte grandinės stabdį. (Pav. 51)
2. Patraukite oro sklendės rankenėlę ir ją pakelkite.
3. Nuspauskite kuro siurbliuką 6 kartus. (Pav. 52)
4. Nuleiskite oro sklendės rankenėlę žemyn. (Pav. 53)
5. Laikykite gaminio korpusą ant žemės kairiąją ranka. Gaminio nepriminkite koja Lėtai traukite starterio virvę, kol pajusite pasipriešinimą. Tada patraukite starterio virvę visa jėga. (Pav. 54)



PASTABA: Netraukite starterio virvės iki pat galo. Nepaleiskite starterio virvės, kai ji visiškai ištraukta. Lėtai atleiskite starterio virvę. Nepaisydami šių nurodymų galite sugadinti variklį.

Pasižymėkite: Užvesdami variklį nespauskite akceleratoriaus gaiduko.

6. Traukite starterio virvės rankenėlę, kol variklis užsiveda arba bando užsivesti (daugiausia 3 kartus). Užvedę variklį palaukite 60 sekundžių prieš nuspausdami akceleratoriaus gaiduką.
7. Patraukite priekinę rankos apsaugą atgal link priekinės rankenos, kad išjungtumėte grandinės stabdį.
8. Laikykite galinę rankeną dešiniąja, o priekinę – kairiąją ranka.
9. Naudokitės gaminiu.

Variklio užvedimas, kai kuras per daug karštas

Jeį gamins neužsiveda, gali būti, kad kuras yra per daug karštas.

Pasižymėkite: Esant karštam orui, visada naudokite naują kurą, kad darbus atliktumėte greičiau.

1. Padėkite gaminį vėsioje vietoje, atokiai nuo tiesioginių saulės spindulių.
2. Leiskite gaminiui atvėsti bent 20 minučių.
3. Dar kartą 10–15 sekundžių nuspauskite kuro siurbliuką.
4. Atlikite šalto variklio užvedimo procedūrą. Žr. *Šalto variklio užvedimas psl. 302.*

Išjungimas

- Norėdami išjungti variklį, nuspauskite stabdymo mygtuką.

Pasižymėkite: Stabdymo jungiklis automatiškai grįžta į pradinę padėtį.

Buferio naudojimas

Buferis neleidžia įvykti atatrakai ir laiko medieną, kai ją pjaunate. Buferis yra sukimosi taškas tarp variklio korpuso ir kreipiančiosios juostos.

1. Padėkite apatinį buferio kraštą ties reikiamo pločio lankstu.
2. Kaire ranka spauskite laikydami už priekinės rankenos ir tuo pačiu metu dešine ranka kelkite laikydami už galinės rankenos.
3. Pjaukite, kol pasieksite tinkamą lanksto plotį.

Pasižymėkite: Lanksto storis turi būti vienodas.

4. Nupjaukite daugiau nei pusę skersmens, tada įstatykite medžio vertimo pleištą į pjūvio vietą.

Medžio vertimas

1. Pašalinkite nuo medžio purvą, akmenis, atšokusią žievę, vinis, įkabas ir vielas.
2. Padarykite trečdali medžio skersmens įpjovą, statmeną medžio kritimo krypčiai. (Pav. 55)
3. Padarykite apatinę horizontalią įpjovą. Tai padeda išvengti pjūklo grandinės arba kreipiančiosios juostos prispaudimo darant antrąją įpjovą.

4. Padarykite galinę vertimo įpjovą (X) bent 50 mm (2 col.) aukščiau už horizontalią įpjovą. Galinę vertimo įpjovą darykite lygiagrečiai horizontaliai įpjovai, kad paliktumėte pakankamai medienos, kuri atliks lanksto funkciją. Šios lanksto vietos nepjaukite. Lanksto funkciją atliekanti medienos dalis neleidžia medžiui persikreipti ir nukristi netinkama kryptimi. (Pav. 56) ir (Pav. 57)
5. Galinei vertimo įpjovai artėjant prie lanksto vietos, medis pradeda virsti. Įsitinkite, kad medis galės kristi tinkama kryptimi, nepasislinks atgal ir neprispaus pjūklo grandinės. Norėdami to išvengti, prieš baigdami daryti galinę vertimo įpjovą sustokite. Naudodami medinius, plastikinius ar aliumininis pleištus atverkite įpjovą ir leiskite medžiui nuvirsti išilgai numatytos kritimo linijos. (Pav. 58)
6. Medžiui pradėjus virsti, išimkite įrenginį iš įpjovos. Išjunkite variklį, padėkite įrenginį ant žemės ir naudokitės suplanuotu atsitraukimo keliu. Saugokitės krentančių šakų ir žiūrėkite, kur statote kojas. (Pav. 59)

Medžio genėjimas

1. Pasinaudokite stambesnėmis šakomis, kad laikytumėte rąstą pakeltą nuo žemės.
2. Smulkias šakas šalinkite vienu pjūviu. (Pav. 60)
3. Įtemptas šakas pjaukite iš apačios į viršų, kad nebūtų prispausta pjūklo grandinė ar kreipiančioji juosta.

Rąsto pjaustymas



PASTABA: Saugokite, kad pjūklo grandinė nesusiliestų su žeme.

- Jei rąstas yra atremtas per visą savo ilgį, pjaukite jį iš viršaus (pjovimas iš viršaus). (Pav. 61)
- Jei atremtas vienas rąsto galas, pjaukite trečdalį skersmens iš apačios (pjovimas iš apačios).
- Jei rąstas atremtas abiejuose galuose, pjaukite trečdalį skersmens iš viršaus. Užbaikite pjūvį atlikdami likusių apatinių dviejų rąsto skersmens trečdalių pjovimą iš apačios, kad pjūvis susiliestų su pirmuoju pjūviu. (Pav. 62)
- Jei rąstą pjaunate nuokalnėje, visada laikykitės įkainės pusėje rąsto atžvilgiu. Pjaukite rąstą visiškai kontroliuodami įrenginį. Tada, prieš baigdami pjauti, sumažinkite pjovimo spaudimą, tvirtai laikydami įrenginį už galinės ir priekinės rankenų. (Pav. 63)

PRIEŽIŪRA



PERSPĖJIMAS: Prieš valydami, taisydami arba prižiūrėdami gaminį perskaitykite ir supraskite saugos skyrių.

Priežiūros grafikas

Būtinai vadovaukitės priežiūros grafiku. Priežiūros intervalai apskaičiuojami pagal kasdienį gaminio naudojimą. Intervalai skiriasi, jei gaminio nenaudojate

kasdien. Atlikite tik šiaime vadove nurodytus priežiūros darbus. Dėl kitų, šiame vadove neminimų priežiūros darbų kreipkitės į patvirtintą techninės priežiūros centrą.

Kasdienė techninė priežiūra

- Nuvalykite išorinius paviršius.
- Įsitikinkite, kad gaiduko fiksatorius ir gaidukas veikia tinkamai.
- Išvalykite grandinės stabdį ir įsitikinkite, kad jis veikia tinkamai.
- Patikrinkite, ar nepažeistas grandinės gaudytuvas. Pakeiskite grandinės gaudytuvą, jei jis pažeistas.
- Apsukite kreipiančiąją juostą kasdien, kad ji dėvėtųsi tolygiau.
- Įsitikinkite, kad neužsikimšusi kreipiančiojoje juostoje esanti tepimo anga.
- Pašalinkite pjūvenas ar kitas nereikalingas medžiagas iš po žvaigždutės gaubto.
- Išvalykite kreipiančiosios juostos griovelį. (Pav. 64)
- Įsitikinkite, kad kreipiančioji juosta ir pjūklo grandinė gauna pakankamai alyvos.
- Patikrinkite pjūklo grandinę:
 - ar nėra įtrūkusių kniedžių ir narelių;
 - ar nėra neįprastai nusidėvėjusių kniedžių ir narelių;
 - ar tinkamas įtempimas;
 - ar nėra grandinės varančiųjų narelių tarškėjimo.

Jei reikia, pjūklo grandinę pakeiskite.

- Pagaląskite pjūklo grandinę. Žr. *Pjūklo grandinės galandimas psl. 305.*
- Patikrinkite, ar varančioji žvaigždutė pernelyg nenusidėvėjusi, ir, jei reikia, pakeiskite. (Pav. 65)
- Išvalykite variklio korpuso oro įsiurbimo angą.
- Patikrinkite, ar varžlės ir varžtai priveržti.
- Patikrinkite, ar tinkamai veikia maitinimo jungiklis.

Savitinė techninė priežiūra

- Patikrinkite, ar tinkamai veikia aušinimo sistema.
- Patikrinkite, ar tinkamai veikia starteris, starterio virvė ir grįžties spyruoklė.
- Patikrinkite, ar nepažeisti vibracijos slopinimo elementai.

(Pav. 66)

- Dilde pašalinkite ant kreipiančiosios juostos briaunų susidariusius nelygumus.
- Išvalykite arba pakeiskite duslintuvo kibirkščių sulaikymo tinklėlį.

(Pav. 67)

- Nuvalykite išorinius karbiuratoriaus ir gretimus paviršius.
- Išvalykite oro filtrą. Jei oro filtras pažeistas arba pernelyg nešvarus, kad būtų galima visiškai išvalyti,

sumontuokite naują. Daugiau informacijos žr. *Kaip išvalyti oro filtrą psl. 305*

Mėnesinė techninė priežiūra

- Patikrinkite grandinės stabdžio juostos nusidėvėjimą. Pakeiskite, jei stabdžio juostos storis yra mažesnis nei 0,6 mm (0,024 col.) labiausiai nusidėvėjusiose taške.

(Pav. 68)

- Patikrinkite sankabos veleno, būgnelio ir spyruoklės nusidėvėjimą.
- Išvalykite žvakę. Patikrinkite, ar tarpas tarp elektrodų yra tinkamas.

(Pav. 69)

- Nuvalykite išorinius karbiuratoriaus ir gretimus paviršius.
- Patikrinkite kuro filtrą ir žarnelę. Jei reikia, pakeiskite.
- Ištuštinkite kuro bakelį.
- Ištuštinkite alyvos bakelį.
- Patikrinkite visus laidus ir jungtis.

Kasmetinė techninė priežiūra

- Patikrinkite uždegimo žvakę.
- Nuvalykite išorinius karbiuratoriaus ir gretimus paviršius.
- Išvalykite aušinimo sistemą.
- Patikrinkite kibirkščių sulaikymo tinklėlį.
- Patikrinkite kuro filtrą.
- Patikrinkite, ar nepažeista kuro žarnelė.
- Patikrinkite visus laidus ir jungtis.

Protarpiais atliekama techninė priežiūra

- Patvirtintame techninės priežiūros centre suremontuokite arba pakeiskite duslintuvą po 50 eksploatacijos valandų.
- Atlikite uždegimo žvakės techninės priežiūros darbus, kai:

- variklio galia sumažėjusi;
- sunku užvesti variklį;
- variklis netinkamai veikia tuščiaja eiga.

- Kaskart, kai pildote kurą, patikrinkite pjūklo grandinės tepimą. Žr. *Pjovimo grandinės tepimo patikrinimas psl. 306.*

Greičio tuščiaja eiga reguliavimas

Prieš reguliuodami greitį tuščiaja eiga įsitikinkite, kad oro filtras švarus, o oro filtro dangtelis pritvirtintas.

1. Sukite tuščiosios eigos reguliavimo varžtą (jį nurodo žymė „T“) pagal laikrodžio rodyklę, kol pjūklo grandinė pradės sukstis.
2. Sukite tuščiosios eigos reguliavimo varžtą (jį nurodo žymė „T“) prieš laikrodžio rodyklę, kol pjūklo grandinė nustos sukstis.

- Greitis tuščiaja eiga turi būti mažesnis nei greitis, kuriam esant pradeda sukintis pjūklo grandinė. Greitis tuščiaja eiga yra tinkamas, kai variklis tolygiai veikia visose padėtyse.

Kibirkščių sulaikymo tinklelio priežiūra

- Valykite kibirkščių sulaikymo tinklelį vieliniu šepečiu. (Pav. 70)

Uždegimo žvakės priežiūra



PASTABA: Naudokite rekomenduojamą uždegimo žvakę. Įsitinkite, kad keičiama dalis yra tokia pat, kaip gamintojo naudojama dalis. Netinkama uždegimo žvakė gali sugadinti gaminį.

- Jei gaminį sunku užvesti arba jis veikia nesklandžiai, patikrinkite, ar ant uždegimo žvakės nėra pašalinių medžiagų. Norėdami sumažinti pašalinių medžiagų atsiradimą ant uždegimo žvakės elektrodų:
 - įsitinkite, kad tinkamai sureguliuotas greitis tuščiaja eiga.
 - įsitinkite, kad naudojate tinkamą kuro mišinį.
 - patikrinkite, ar oro filtras yra švarus.
- Jei uždegimo žvakė nešvari, nuvalykite ją. Patikrinkite, ar tarpas tarp elektrodų yra tinkamas. (Pav. 71)
- Esant reikalui pakeiskite uždegimo žvakę.

Kaip išvalyti oro filtrą

- Nuimkite oro filtro dangtelį ir išimkite oro filtrą. (Pav. 72)
- Išplaukite oro filtrą šiltame muiluotame vandenyje. Prieš sumontuodami oro filtrą, palaukite, kol jis išdžius.
- Pakeiskite oro filtrą, jei jis toks purvinas, kad jo nebeįmanoma išplauti. Visada pakeiskite pažeistą oro filtrą.

Pjūklo grandinės galandimas

Pjovimo dantukas

Pjaunančioji pjūklo grandinės dalis vadinama pjaunančiuoju nareliu, kurį sudaro pjaunantysis dantis (A) ir gylio reguliavimo ribotuvas (B). Pjaunančiojo narelio pjovimo gylis priklauso nuo aukščio tarp jų skirtumo – gylio reguliavimo ribotuvo nustatymo (C).

(Pav. 73)

Galandant pjaunantįjį dantį, reikia atkreipti dėmesį į keturis matmenis.

- Galandimo kampas

(Pav. 74)

- Pjovimo kampas

(Pav. 75)

- Dildės padėtis

(Pav. 76)

- Apvaliosios dildės skersmuo

(Pav. 77)

Pjovimo dantukų galandimas

Galąskite pjovimo dantukus naudodamiesi apvaliaja dilde ir galandimo šablonu. Informaciją apie rekomenduojamą dildės skersmenį ir galandimo šabloną jūsų įrenginyje sumontuotai pjūklo grandinei žr. *Pjūklo grandinės galandimas ir pjūklo grandinės deriniai psl. 308.*

(Pav. 78)

- Įsitinkite, kad pjūklo grandinė tinkamai įtempta. Netinkamai įtempta pjūklo grandinė judės į vieną pusę ir jos nepavyks tinkamai pagalašti.
- Dilde pagaląskite visus dantukus vienoje pusėje. Tada dilde pagaląskite pjovimo dantukų vidines puses, o grįždami dilde atgal spauskite silpniau.
- Apverskite įrenginį ant kito šono ir dilde pagaląskite dantukus.
- Galąsdami dilde išlaikykite vienodą visų dantukų ilgį. Kai pjovimo dantukų ilgis sumažėja iki 4 mm (5/32 col.), nusidėvėjusią pjūklo grandinę pakeiskite.

Gylio reguliavimo ribotuvo nustatymas

Prieš nustatydami gylio reguliavimo ribotuvą, pagaląskite pjovimo dantukus. Žr. *Pjovimo dantukų galandimas psl. 305.* Galandant pjaunantįjį dantį, gylio reguliavimo ribotuvo nustatymas (C) mažėja. Norint išlaikyti maksimalų pjovimo našumą, gylio reguliavimo ribotuvus (B) turi būti nušifuotas dilde iki rekomenduojamo lygio. Informaciją apie jūsų grandinei tinkamą gylio reguliavimo ribotuvo nustatymą žr. *Pjūklo grandinės galandimas ir pjūklo grandinės deriniai psl. 308.*

(Pav. 79)

(Pav. 80)

Pasižymėkite: Ši rekomendacija aktuali, jei pjaunančiųjų dantų ilgis nėra per daug mažas.

Plokščiaja dilde ir gylio reguliavimo ribotuvo įrankiu sureguliuokite gylio reguliavimo ribotuvą.

- Padėkite gylio reguliavimo ribotuvo įrankį ant pjūklo grandinės. Informaciją apie gylio reguliavimo ribotuvo įrankio naudojimą rasite ant pakuotės.
- Naudokite plokščią dildę likučiams šalinti nuo gylio reguliavimo ritinėlio viršutinės dalies. Ribotuvus yra tinkamas, kai dilde traukiant per šabloną, nesijaučia jokio pasipriešinimo.

Pjūklo grandinės įtempimas

Pasižymėkite: Dažnai tikrinkite naujos pjūklo grandinės įtempimą jos įdirbimo laikotarpiu.

1. Atlaisvinkite kreipiančiosios juostos veržles, laikancias žvaigždutes gaubta. Naudokite kombinuotąjį veržliarakčių. (Pav. 81)
2. Kuo tvirčiau ranka priveržkite kreipiančiosios juostos veržles.
3. Pakelkite kreipiančiosios juostos priekį ir įtempkite pjūklą grandinę priverždami grandinės įtempimo varžtą. Naudokite kombinuotąjį veržliarakčių. Veržkite pjūklą grandinę, kol ji standžiai priglus prie kreipiančiosios juostos apatinės briaunos. (Pav. 82)
4. Priveržkite kreipiančiosios juostos veržles kombinuotuju veržliarakčiu, tuo pačiu metu keldami kreipiančiosios juostos galą aukštyn. (Pav. 83)
5. Įsitinkite, kad galite lengvai patraukti pjūklą grandinę ranka ir kad ji nėra nukarusi žemyn. (Pav. 84)
1. Užveskite gaminį ir leiskite jam veikti 3/4 visų apsučių. Nukreipkite kreipiančiosios juostos galą į šviesų paviršių, esantį beveik 20 cm (8 col.) atstumu.
2. Po 1 minutės veikimo ant šviesaus paviršiaus turėtumėte matyti alyvos paliktą liniją.
3. Jei alyvos linijos praėjus 1 minutei nematote, išvalykite kreipiančiosios juostos alyvos kanalą. Išvalykite kreipiančiosios juostos briaunos tarpelį. Įsitinkite, kad kreipiančiosios juostos priekinė varomoji žvaigždutė sukasi laisvai ir kad tepimo anga neužsikimšusi. Išvalykite ir suteptkite priekinę varomąją žvaigždutę.
4. Užveskite gaminį ir leiskite jam veikti 3/4 visų apsučių. Nukreipkite juostos galą į šviesų paviršių, esantį beveik 20 cm (8 col.) atstumu.
5. Po 1 minutės veikimo ant šviesaus paviršiaus turėtumėte matyti alyvos paliktą liniją.
6. Jei alyvos linijos praėjus 1 minutei nematote, kreipkitės į patvirtintą pardavėją.

Pjovimo įrangos tepimas

Pjovimo grandinės tepimo patikrinimas

Kaskart, kai pildote kurą, patikrinkite grandininio pjūklą tepimą.

TRANSPORTAVIMAS

- Prieš transportuodami, ištuštinkite kuro ir grandinės alyvos bakelius. Tinkamai utilizuokite panaudotus skysčius.
- Transportuodami ant pjovimo įtaiso uždėkite kreipiančiosios juostos dangtelį. Jis apsaugos asmenis nuo netyčinio prisilietimo prie aštrios pjūklą grandinės. Aštri nenaudojama pjūklą grandinė, ją palietus, gali jus ar kitus asmenis sužeisti.
- Prieš transportuodami, nuimkite uždegimo žvakės antgalį nuo uždegimo žvakės ir įjunkite grandinės stabdį.
- Pasirūpinkite, kad transportuojant gaminys negalėtų judėti.

LAIKYMAS

- Kai gaminys nenaudojamas, visada saugiai padėkite jį. Pratekėjimai ir garai iš gaminio gali susiliesti su kibirkštėmis, atvira liepsna iš elektros įrangos, elektrinių vejamųjų, relijų / jungiklių, šildytuvų ir pan.
- Kurą visada laikykite tam pritaikytoje talpykloje.
- Jei gaminys bus laikomas nenaudojamas ilgesnį laikotarpį, ištuštinkite kuro ir grandinės alyvos bakelius. Tinkamai utilizuokite panaudotus skysčius.
- Prieš padėdami saugoti, uždėkite kreipiančiosios juostos dangtelį. Jis apsaugos asmenis nuo netyčinio prisilietimo prie aštrios pjūklą grandinės. Aštri nenaudojama pjūklą grandinė, ją palietus, gali jus ar kitus asmenis rimtai sužeisti.
- Prieš padėdami saugoti, nuimkite uždegimo žvakės antgalį nuo uždegimo žvakės ir įjunkite grandinės stabdį.

TECHINIAI DUOMENYS

	gaminys	130 (H13038HV)	135 Mark II (H13038HV)
Variklio specifikacija			
Cilindro darbinis tūris	cm ³	38	38
Uždegimo žvakė	—	NGK BPMR 7A	NGK BPMR 7A
Tarpas tarp elektrodų	mm (col.)	0,5 (0,02)	0,5 (0,02)

	gaminys	130 (H13038HV)	135 Mark II (H13038HV)
Kuro bakelio tūris	cm ³	350	350
Greitis tuščiaja eiga	min ⁻¹	2 800–3 200	2 800–3 200
Galia esant 9 000 min ⁻¹	kW	1,5	1,6
Išmetalų filtro charakteristikų ilgaamžiškumo laikotarpis	h	125	125
Triukšmo ir vibracijos duomenys			
Ekvivalentiškas vibracijos lygis (ahv, eq) kairiojoje rankenoje ¹⁰¹	m/s ²	3,72	3,72
Ekvivalentiškas vibracijos lygis (ahv, eq) dešiniojoje rankenoje ¹⁰²	m/s ²	5,5	5,5
Garso stiprumo lygis, garantuotas (L _{WA}) ¹⁰³	dB (A)	116	116
Garso galios lygis, išmatuotas ¹⁰⁴	dB (A)	114	114
Garso slėgio lygis ties operatoriaus ausimis ¹⁰⁵	dB (A)	102	102
Gaminio matmenys			
Svoris (be pjovimo įrangos)	kg	4,68 (10,3)	4,68 (10,3)
Alyvos bakelio tūris	cm ³	260	260
Kuro / tepimo sistema			
Alyvos siurblio pajėgumas esant 9 000 min ⁻¹	ml/min	9	9
Alyvos siurblio tipas	—	Automatinis	Automatinis
Pjūklo grandinė ir kreipiančioji juosta			
Standartinės kreipiančiosios juostos ilgis	cm (col.)	35–40 (14–16)	35–40 (14–16)
Rekomenduojamas kreipiančiosios juostos ilgis	cm (col.)	35–40 (14–16)	35–40 (14–16)
Naudingasis pjūklo ilgis	cm (col.)	33–38 (13–15)	33–38 (13–15)
Maksimalus pjūklo grandinės greitis	m/s	22,3	22,3
Pjūklo grandinės žingsnis	mm (col.)	9,52 (3/8)	9,52 (3/8)
Varančiųjų narelių storis (tarpmatis)	mm (col.)	1,3 (0,050)	1,3 (0,050)
Varančiosios žvaigždutės tipas	—	Spur žvaigždutė	Spur žvaigždutė
Varančiosios žvaigždutės dantukų skaičius	—	6	6

¹⁰¹ Ekvivalentiškas vibracijos lygis apskaičiuojamas kaip vibracijos lygių įvairiomis darbo sąlygomis dinaminės svartinės energijos suma. Pateiktuose atitinkamo vibracijos lygio duomenyse yra 1,5 m/s² tipiška statistinė sklaida (standartinis nuokrypis).

¹⁰² Ekvivalentiškas vibracijos lygis apskaičiuojamas kaip vibracijos lygių įvairiomis darbo sąlygomis dinaminės svartinės energijos suma. Pateiktuose atitinkamo vibracijos lygio duomenyse yra 1,5 m/s² tipiška statistinė sklaida (standartinis nuokrypis).

¹⁰³ Triukšmas, skleidžiamas į aplinką, išmatuotas kaip triukšmo galia (L_{WA}).

¹⁰⁴ Triukšmas, skleidžiamas į aplinką, išmatuotas kaip triukšmo galia (L_{WA}).

¹⁰⁵ Ekvivalentiškas garso slėgio lygis apskaičiuojamas kaip skirtingų garso slėgio lygių įvairiomis darbo sąlygomis dinaminės svartinės energijos suma. Tipiška ekvivalentiško garso slėgio lygio statistinė sklaida turi standartinį 2,5 dB (A) nuokrypį.

PRIEDAI

Kreipiančiosios juostos ir pjūklo grandinės deriniai

Kreipiančioji juosta				Pjūklo grandinė	
Ilgis	Žingsnis	Tarpo plotis	Maksimalus juostos žvaigždutės dantukų skaičius	Tipas	Varančiųjų narių skaičius
14 col.	3/8 col.	0,050 col.	7T	Husqvarna H37	52
16 col.				Husqvarna S93G	56

Pjūklo grandinės galandimas ir pjūklo grandinės deriniai

Grandinės tipas	Apvaliosios dildės dydis	Šoninės plokštumos kampas	Viršutinės plokštumos kampas	Dildės kreipimo kampas	Gylio reguliavimo ribotuvo nustatymas	Gylio reguliavimo ribotuvo dalies nr.	Galandimo šablono dalies nr.
H37, S93G	5/32 col. 4,0 mm	80°	30°	0°	0,025/0,65	5056981-03	5052437-01

EB ATITIKTIES DEKLARACIJOS TURINYS

Mes, „Husqvarna AB“, SE 561 82 Huskvarna, ŠVEDIJA, savo atsakomybe pareiškiamo, kad pateiktas gaminy:

Aprašas	Benzininis grandininis pjūklas
Gamintojas	„Husqvarna“
Platforma / tipas / modelis	Platforma H13038HV, atitinka modelį 130, „135 Mark II“
Partija	Serijos numerių data nuo 2018

visiškai atitinka šias ES direktyvas ir reikalavimus:

Direktyva / reikalavimas	Aprašas
2006/42/EB	„dėl mašinų“
2014/30/ES	„dėl elektromagnetinio suderinamumo“

Direktyva / reikalavimas	Aprašas
2000/14/EB	„dėl triukšmo lauke“
2011/65/ES	dėl tam tikrų pavojingų medžiagų naudojimo

Taikomi darnieji standartai ir (arba) techninės specifikacijos: EN ISO 12100, EN ISO 11681-1, CISPR 12, ISO 14982

Pagal 2000/14/EB direktyvos V priedą nustatytosios garso vertės pateikiamos šios instrukcijos techninių duomenų skyriuje ir pasirašytoje ES atitikties deklaracijoje.

TÜV Rheinland LGA Products GmbH, notifikuojoji įstaiga dėl įrenginių (apie įrenginį pranešta pagal 0197), Tillystraße 2 - 90431 Nürnberg, Germany, atliko EB tipo patikrą pagal 2006/42/EB 12 straipsnio 3b punktą.

Šio tipo patikros sertifikatas, pagal IX priedą, kaip nurodyta pasirašytoje atitikties deklaracijoje, galioja visoms gamybos vietoms ir kilmės šalims, nurodytoms gaminio etiketėje.

Šis grandininis pjūklas atitinka EB tipo patikrą praėjusį pavyzdį.

Saturs

IEVADS.....	310	PĀRVADĀŠANA.....	320
DROŠĪBA.....	311	UZGLABĀŠANA.....	320
MONTĀŽA.....	315	TEHNISKIE DATI.....	321
DARBĪBA.....	315	PIEDERUMI.....	322
APKOPE.....	318	ES ATBILSTĪBAS DEKLARĀCIJAS SATURS.....	322

IEVADS

Lietotāja rokasgrāmata

Šis lietotāja rokasgrāmatas sākotnējā valoda ir angļu. Lietotāja rokasgrāmatas citās valodās ir tulkojumi no angļu valodas.

Pārskats

(Att. 1)

1. Cilindra vāks
2. Degvielas sūkņis
3. Izstrādājuma un sērijas numura plāksnīte
4. Informācijas un brīdinājuma uzlīme
5. Apturēšanas slēdzis
6. Aizmugurējais rokturis
7. Degvielas tvertne
8. Startera auklas rokturis
9. Startera korpuss
10. Koka gāšanas virziena apzīmējums
11. Ķēdes eļļas tvertne
12. Priekšējais rokturis
13. Ķēdes bremze un priekšējais roku aizsargs
14. Trokšņa slāpētājs
15. Zāģa ķēde
16. Sliedes iemavas zobrats
17. Virzītājsliede
18. Ķēdes spriegošanas skrūve (130)
19. Ķēdes spriegošanas skrūve (135 Mark II)
20. Balsta zobs
21. Ķēdes uztvērējs
22. Sajūga vāks
23. Labās rokas aizsargs
24. Droseles mēlīte
25. Droseles mēlītes bloķētājs
26. Virzītājsliedes pārsegs
27. Kombinētais darbarīks
28. Lietotāja rokasgrāmata

Simboli uz izstrādājuma

(Att. 2) Brīdinājums

(Att. 3) Izlasiet šo rokasgrāmatu

(Att. 4) Lietojiet apstiprināto ķiveri, dzirdes aizsarglīdzekļus un acu aizsarglīdzekļus

(Att. 5) Izmantojiet apstiprinātus aizsargcimdus

(Att. 6) Šis izstrādājums atbilst piemērojamo EK direktīvu prasībām

(Att. 7) Skaņas jaudas līmenis

(Att. 8) Ķēdes bremze; nav aktivizēta (pa kreisi).
Ķēdes bremze; ir aktivizēta (pa labi).

(Att. 9) Droseļvārsta vadība

(Att. 10) Degvielas sūkņis

(Att. 11) Degvielas uzpilde

(Att. 12) Ķēdes eļļas uzpilde

(Att. 13) Šis izstrādājums atbilst piemērojamo EAC direktīvu prasībām.

(Att. 14) Šis izstrādājums atbilst piemērojamo Ukrainas direktīvu prasībām.

(Att. 15) Šis izstrādājums atbilst piemērojamo Korejas direktīvu prasībām.

(Att. 16) Šis izstrādājums atbilst piemērojamo Japānas direktīvu prasībām.

(Att. 17) Trokšņa līmenis

(Att. 18) Turiet zāģi stingri ar abām rokām.

(Att. 19) Nelietojiet zāģi ar vienu roku

(Att. 20) Nepieskarieties virzītājsliedes galam.

(Att. 21) Uzmanieties no atsitiena

(Att. 22) Šis izstrādājums atbilst piemērojamo Austrālijas un Jaunzēlandes

65. ierosinājums

(Att. 23)

ES V



BRĪDINĀJUMS: Motora atvēršana anulē šī ķēdes zāga ES tipa apstiprinājumu.

Atbildība par izstrādājuma kvalitāti

Saskaņā ar likumiem par izstrādājuma kvalitāti mēs neuzņemamies atbildību par bojājumiem, ko radījis mūsu izstrādājums, ja:

- ir veikts nepareizs izstrādājuma remonts;
- izstrādājuma remonts ir veikts, izmantojot detaļas, ko nav nodrošinājis vai apstiprinājis ražotājs;
- izstrādājumam tiek pievienots piederums, ko nav nodrošinājis vai apstiprinājis ražotājs;
- izstrādājuma remonts nav veikts pilnvarotā apkopes centrā vai pie pilnvarota speciālista.

DROŠĪBA

Drošības definīcijas

Tālāk sniegtās definīcijas norāda katra signālvārda nozīmīguma līmeni.



BRĪDINĀJUMS: Traumas.



IEVĒROJIET: Izstrādājuma bojājumi.

Piezīme: Šī informācija atvieglo izstrādājuma lietošanu.

Vispārīgi norādījumi par drošību

- Lietojiet izstrādājumu pareizi. Nepareiza lietošana var radīt smagas vai nāvējošas traumas. Izmantojiet izstrādājumu tikai šajā rokasgrāmatā aprakstītajiem darbiem. Nelietojiet izstrādājumu citiem darbiem.
- Izlasiet, izprotiet un ievērojiet šīs rokasgrāmatas norādījumus. Ievērojiet drošības simbolus un drošības instrukcijas. Ja operators neievēro norādījumus un simbolus, var tikt radīti aprikojuma bojājumi, smagas vai nāvējošas traumas.
- Neizmetiet šo rokasgrāmatu. Izmantojiet norādījumus, lai saliktu, lietotu un uzturētu šo izstrādājumu labā stāvoklī. Izmantojiet norādījumus pareizai palīgierīču un piederumu uzstādīšanai. Izmantojiet tikai apstiprinātās palīgierīces un piederumus.
- Nelietojiet bojātu izstrādājumu. Ievērojiet apkopes grafiku. Veiciet tikai tos apkopes darbus, kas aprakstīti šajā rokasgrāmatā. Pārējos apkopes darbus uzticiet pilnvarotam apkopes centram.

- Šī rokasgrāmata nevar ietver visas situācijas, kas var rasties, izmantojot šo izstrādājumu. Esiet uzmanīgs un saprātīgs. Nelietojiet izstrādājumu un neveiciet tā apkopi, ja neesat drošs par radušos situāciju. Sazinieties ar izstrādājuma speciālistu, izplatītāju, apkopes pārstāvi vai pilnvarotu apkopes centru, lai saņemtu papildinformāciju.
- Pirms izstrādājuma montāžas, novietošanas uzglabāšanā vai apkopes veikšanas atvienojiet aizdedzes sveces kabeli.
- Neizmantojiet izstrādājumu, ja tā sākotnējā specifikācija ir mainīta. Nemainiet izstrādājuma detaļas bez ražotāja apstiprinājuma. Izmantojiet tikai tādas detaļas, ko ir apstiprinājis ražotājs. Veicot nepareizu apkopi, var tikt radītas smagas vai nāvējošas traumas.
- Neieelpojiet dzinēja radītos izgarojumus. Ilgstoši ieelpojot dzinēja radītos izgarojumus, ķēdes eļļas miglu un zāgu skaidas, var tikt apdraudēta veselība.
- Nelietojiet izstrādājumu telpās vai ugunsnedrošu materiālu tuvumā. Izplūdes gāzes ir karstas un var saturēt dzirksteli, kas var izraisīt aizdegšanos. Bez pietiekamas ventilācijas var rasties smaga vai nāvējoša trauma nosmokot vai tvana gāzes dēļ.
- Šis izstrādājums darbības laikā rada elektromagnētisko lauku. Elektromagnētiskais lauks var radīt medicīnisko implantātu bojājumus. Pirms izmantot izstrādājumu, sazinieties ar ārstu vai medicīniskā implantāta ražotāju.
- Neļaujiet bērniem lietot šo izstrādājumu.
- Neļaujiet lietot izstrādājumu personai, kas nav iepazinusies ar lietošanas norādījumiem.
- Ja izstrādājumu izmanto persona ar samazinātām fiziskajām vai garīgajām spējām, vienmēr uzraugiet šo personu. Tuvumā vienmēr jābūt pieaugušajam.
- Ieslēdziet izstrādājumu vietā, kurai nevar piekļūt bērni un nepiederošas personas.

- Izstrādājums var izsviest objektus un radīt traumas. Ievērojiet drošības instrukcijas, lai samazinātu smagu vai nāvējošu traumu gūšanas risku.
- Neatstājiet izstrādājumu, kad darbojas tā dzinējs. Apturiet dzinēju un pārliecinieties, vai ķēde negriezās.
- Izstrādājuma lietotājs ir atbildīgs par radušos negadījumus.
- Pirms izstrādājuma lietošanas pārliecinieties, vai tā detaļas nav bojātas.
- Ievērojiet valsts vai vietējos likumus. Tie var neļaut vai ierobežot izstrādājuma lietošanu noteiktos apstākļos.

Darba drošības instrukcijas

- Šī izstrādājuma ilgstoša un regulāra lietošana var izraisīt "balto pirkstu" sindromu vai līdzīgas medicīniskas problēmas no vibrācijām. Ja lietojat šo izstrādājumu ilgstoši un regulāri, pārbaudiet roku un pirkstu stāvokli. Ja rokas vai pirksti kļūst bāli, sāp, tirpst vai kļūst nejūti, pārtrauciet darbu un nekavējoties sazinieties ar ārstu.
- Pirms izstrādājuma lietošanas pārliecinieties, vai tas ir pilnībā samontēts.
- Izstrādājums var izsviest objektus, kas var radīt acu traumas. Lietojot izstrādājumu, vienmēr izmantojiet atbilstošus acu aizsarglīdzekļus.
- Esiet uzmanīgs, jo darba laikā, jums nezinot, izstrādājuma tuvumā var nokļūt bērni.
- Nelietojiet izstrādājumu, ja darba zonā atrodas citas personas. Pārtrauciet lietot izstrādājumu, ja darba zonā ienāk cita persona.

(Att. 24)

- Nezaudējiet vadību pār izstrādājumu.
- Izstrādājums jālieto, turot ar abām rokām. Nedarbiniet zāģi, turot to ar vienu roku. Pretējā gadījumā var rasties nopietnas traumas lietotājam, strādniekiem, apkārt stāvošajiem vai visiem minētajiem.
- Ar kreiso roku turiet priekšējo rokturi un ar labo roku turiet aizmugurējo rokturi. Turiet izstrādājumu ķermeņa labajā pusē.

(Att. 25)

- Neizmantojiet šo izstrādājumu, ja esat noguris, slims vai esat alkohola vai citu vielu izraisītā reibumā.
- Neizmantojiet izstrādājumu, ja jums nebūs iespējas saņemt palīdzību, notiekot negadījumam. Pirms izstrādājuma iedarbināšanas informējiet apkārtējos, ka gasāties to darīt.
- Negriezieties, turot izstrādājumu, pirms tam nepārliecinoties, ka citas personas vai dzīvnieki atrodas drošā attālumā.
- Pirms darba sākšanas novāciet visus nevēlamos materiālus no darba zonas. Ja ķēde atsitas pret objektu, tas var tikt izsviests, radot traumas vai bojājumus. Nevēlami materiāli var aptīties ap ķēdi un radīt bojājumus.

- Neizmantojiet izstrādājumu sliktos laika apstākļos, piemēram, miglā, lietū, stiprā vējā, negaisa laikā vai tamlīdzīgos laika apstākļos. Sliktos laika apstākļos var rasties bīstami darba apstākļi, piemēram, slidenas virsmas.
- Pārliecinieties, vai varat brīvi kustēties un strādāt stabilā stāvoklī.
- Gādājiet, lai jūs nepakristu, lietojot izstrādājumu. Nepieliecieties izstrādājuma lietošanas laikā.
- Vienmēr turiet izstrādājumu ar abām rokām. Ar kreiso roku turiet priekšējo rokturi un ar labo roku turiet aizmugurējo rokturi. Turiet izstrādājumu ķermeņa labajā pusē.
- Ja dzinēja iedarbināšanas laikā gaisa vārsta vadība atrodas aizvērta gaisa vārsta stāvoklī, ķēde sāks griezties.
- Pirms izstrādājuma pārvietošanas izslēdziet dzinēju.
- Nenolieciet izstrādājumu zemē, kad tā dzinējs darbojas.
- Pirms ņemt no izstrādājuma nevēlamos materiālus, apturiet dzinēju. Ļaujiet ķēdei apstāties, pirms jūs vai cita persona ņemtat nogrieztu materiālu.
- Nelietojiet šo izstrādājumu, uzkāpjot kokā. Lietojot zāģi, kad esat uzkāpis kokā, var gūt traumu.

(Att. 26)

- Kad iedarbināt izstrādājumu, ir jābūt aktivizētai ķēdesbremzei, lai samazinātu risku, ka iedarbināšanas laikā jums pieskaras zāģa ķēde.

(Att. 27)

- Izvairieties no atsitienu, slīdēšanas, atlēkšanas un krišanas, kas var izraisīt nopietnas traumas.
- Ievērojiet visus drošības noteikumus, lai izvairītos no atsitienu un citiem spēkiem, kas var izraisīt nopietnas traumas.
- Regulāri regulējiet zāģa ķēdes spriegojumu, lai nodrošinātu, ka zāģa ķēde nenokarājas. Nokarājusies zāģa ķēde var nokrist un radīt nopietnas vai nāvējošas traumas.
- Negāziet kokus, veicot nepareizas darbības. Var tikt radītas traumas tuvumā esošajiem cilvēkiem, bojāta elektropārvades līnija, vai radīti materiālie zaudējumi.
- Lietotājam ir jāpaliek nogāzes augšpusē, jo pēc nozāģēšanas koks var ripot vai slīdēt lejup no nogāzes.

(Att. 28)

- Pirms zāģēšanas izplānojiet un atīriet atkāpšanās ceļu. Atkāpšanās ceļam ir jābūt atpakaļ un pa diagonāli prom no paredzamās krišanas līnijas.

(Att. 29)

- Vienmēr apturiet dzinēju pirms izstrādājuma pārvietošanas starp kokiem.
- Vienmēr stingri nostāieties uz zemes un sadaliet ķermeņa svaru vienādi uz abām kājām.

(Att. 30)

- Vienmēr ieturiet atbilstošu stāju un strādājiet ar izstrādājumu tikai tad, ja atrodaties uz nekustīgas, drošas un līdzenas virsmas. Slidenas vai nestabilas virsmas, piemēram, kāpnes, var izraisīt līdzsvara vai kontroles zudumu.

(Att. 31)

Atsitiens, pārslidēšana, atlēkšana un nokrišana

Izstrādājuma drošu vadību var ietekmēt dažādi spēki.

- **Pārslidēšana** notiek tad, ja virzītājsliede kustas pa koka stumbru.
- **Atlēkšana** notiek tad, kad virzītājsliede paceļas no koka stumbrā un saskaras ar to atkal un atkal.
- **Nokrišana** notiek tad, ja izstrādājums nokrīt pēc zāģējuma veikšanas. Tādējādi vēl kustīgā ķēde var saskarties ar kādu no ķermeņa daļām vai objektiem, radot traumu vai bojājumus.
- **Atsitiens** notiek tad, ja virzītājsliedes gals saskaras ar objektiem un pārvietojas atpakaļ, uz augšu vai pēkšņi uz priekšu. Atsitiens rodas arī tad, ja koks saspiežas, zāģēšanas laikā iespējot zāģa ķēdi. Ja izstrādājums saskaras ar objektu kokā, var tikt zaudēta ierīces vadība.
(Att. 32)
- Ja kustībā esoša ķēde pie virzītājsliedes augšējā gala saskaras ar kādu objektu, ir iespējams **rotējošais atsitiens**. Tādējādi ķēde vai iestrēgt objektā un uzreiz apstāties. Rezultāts ir acumirklīgs: atpakaļgaitas reakcija virza virzītājsliedi uz augšu un atpakaļ operatora virzienā.
(Att. 33)
- **Atsitiens iespējot** var notikt tad, ja zāģa ķēde pēkšņi apstājas zāģēšanas laikā. Koks sakļaujas un iespējot kustīgo zāģa ķēdi virzītājsliedes augšdaļā. Pēkšņā ķēdes apstāšanās vērš atpakaļ ķēdes spēku un liek zāģim pārvietoties ķēdes griešanās virzienam pretējā virzienā. Zāģis pārvietojas atpakaļ operatora virzienā.
(Att. 34)
- **Ievilkšana** var notikt tad, ja zāģa ķēde pēkšņi apstājas, saskaroties ar objektu kokā virzītājsliedes apakšā. Pēkšņā apstāšanās velk zāģi uz priekšu un prom no operatora, kas var izraut zāģi no operatora rokām.
(Att. 35)

Pārliecinieties, ka pārzināt dažādos spēkus un to, kā tos nepieļaut, pirms izmantojat zāģi. Skatiet šeit: *Kā izvairīties no atsitiens, pārslidēšanas, atlēkšanas un nokrišanas lpp. 313.*

Kā izvairīties no atsitiens, pārslidēšanas, atlēkšanas un nokrišanas

- Pārliecinieties, ka stingri turiet izstrādājumu, kamēr darbojas tā motors. Turiet labo roku uz aizmugurējā roktura un kreiso roku — uz priekšējā roktura.

Rokturus stingri turiet ar īkšķiem un pirkstiem. Neatļaidiet rokas.

- Vadiet izstrādājumu gan koku zāģēšanas laikā, gan kokiem nokrītot. Neļaujiet izstrādājuma svaram krist pēc zāģēšanas.
- Sekojiet, lai vieta, kur zāģējat, nav nosprostota. Neļaujiet virzītājsliedes galam darba laikā saskarties ar koka stumbru, zaru vai citiem šķēršļiem. (Att. 36)
- Zāģējiet ar lielu motora apgriezīenu skaitu.
- Nesniedzieties tālu un nezāģējiet objektus, kas atrodas augstāk par plecu līniju. (Att. 37)
- Ievērojiet zāģa ķēdes ražotāja asināšanas un apkopes norādījumus.
- Izmantojiet tikai tās virzītājsliedes un zāģa ķēdes, kuras norādījis ražotājs.
- Pārāk liels griešanas dziļums palielina atsitiens iespēju.

Individuālie aizsarglīdzekļi

- Lietojot izstrādājumu, vienmēr izmantojiet atbilstošus individuālos aizsarglīdzekļus. Individuālie aizsarglīdzekļi samazina traumu smaguma pakāpi, ja rodas negadījums, taču nenovērš traumu.
- Nevalkājiet vaļīgu apģērbu, kas var iekerties zāģa ķēdē.
- Izmantojiet apstiprinātu aizsargķiveri.
- Lietojot izstrādājumu, vienmēr izmantojiet atbilstošus ausu aizsarglīdzekļus. Ilgstošs troksnis var izraisīt dzirdes zudumu.
- Lietojiet aizsargbrilles vai sejšegu, lai samazinātu traumu gūšanas iespēju, ko rada izsviesti objekti. Zāģis var izsviest objektus ar lielu spēku, piemēram, koka skaidas un mazus koka gabalus. Tas var radīt smagu traumu, tostarp acu traumu.
- Lietojiet cimdus, kas aizsargā no zāģa ķēdes.
- Lietojiet darba bikses, kas aizsargā no zāģa ķēdes.
- Lietojiet darba apavus, kas aizsargā no zāģa ķēdes, ar tērauda purngaliem un neslīdošām zolēm.
- Pārliecinieties, vai tuvumā atrodas pirmās palīdzības sniegšanas komplekts.
- Dzirksteles var izlidot no trokšņa slāpētāja, tās var radīt virzītājsliede, zāģa ķēde vai cits avots. Vienmēr turiet pa rokai ugunsdzēsības rīkus un lāpstu, lai nepieļautu meža ugunsgrēkus.

Izstrādājuma aizsargierīces

- Neizmantojiet izstrādājumu, ja ir bojāts drošības apriņķojums. Ja izstrādājums ir bojāts, sazinieties ar pilnvarotu apkopes centru.

Apturēšanas slēdža pārbaude

1. Iedarbiniet dzinēju. Skatiet šeit: *Pirms dzinēja iedarbināšanas lpp. 316.*
2. Pārliecinieties, vai, pārslēdzot apturēšanas slēdzi apturēšanas stāvoklī, dzinējs apstājas.

Droseles mēlītes bloķētāja pārbaude

1. Pārliecinieties, vai tukšgaitas laikā droseles mēlīte (B), atlaižot droseles mēlītes bloķētāju (A), tiek bloķēta (Att. 38).
2. Nospiediet droseles mēlītes bloķētāju (A) un pārbaudiet, vai pēc atlaišanas tas atgriežas sākotnējā stāvoklī.
3. Nospiediet droseles mēlīti (B) un pārbaudiet, vai pēc atlaišanas tā atgriežas sākotnējā stāvoklī.
4. Iedarbiniet dzinēju un atveriet droseli līdz galam.
5. Atlaidiet droseles mēlīti un pārbaudiet, vai zāga ķēde apstājas.
6. Ja, droselei esot tukšgaitas stāvoklī, griešanas ierīce griežas, pārbaudiet karburatora tukšgaitas regulēšanas skrūvi.

Aizsargs

Aizsargs novērš priekšmetu izmešanu lietotāja virzienā. Kā arī aizsargs novērš netīšu lietotāja pieskaršanos zāga ķēdei.

- Pārbaudiet, vai aizsarga lietošana ir atļauta, izmantojot šo izstrādājumu.
- Nelietojiet izstrādājumu bez aizsarga.
- Pārliecinieties, vai aizsargs nav bojāts. Nomainiet aizsargu, ja tas ir nodilis vai saplaisājis.

Drošības norādījumi, rīkojoties ar degvielu

- Nelietojiet izstrādājumu, ja uz tā ir degviela vai dzinēja eļļa. Notīriet nevēlamo degvielu/eļļu un ļaujiet izstrādājumam nožūt. Notīriet no izstrādājuma nevēlamo degvielu.
- Ja degviela ir nokļuvusi uz apģērba, nekavējoties pārgērbieties.
- Nelaujiet degvielai nonākt uz ķermeņa, jo tā var izraisīt savainojumus. Ja degviela ir nonākusi uz ķermeņa, izmantojiet ziepes un ūdeni, lai to nomazgātu.
- Neiedarbiniet dzinēju, ja uz izstrādājuma vai jūsu ķermeņa ir izlijusi eļļa vai degviela.
- Nelietojiet izstrādājumu, ja dzinējā ir sūce. Regulāri pārbaudiet, vai dzinējam nav radusies sūce.
- Rīkojoties ar degvielu, esiet uzmanīgs. Degviela ir viegli uzliesmojoša, tās tvaiki ir sprādzienbīstami, un var izraisīt savainojumus vai nāvi.
- Neieelpojiet degvielas tvaikus, jo tie var izraisīt savainojumus. Pārliecinieties, vai gaisa plūsma ir pietiekama.
- Nesmēķējiet degvielas vai dzinēja tuvumā.
- Nenovietojiet siltus objektus degvielas vai dzinēja tuvumā.
- Nepievienojiet degvielu dzinēja darbības laikā.
- Pirms degvielas uzpildes pārliecinieties, vai dzinējs ir atdzisis.
- Pirms uzpildes lēni atveriet degvielas tvertnes vāciņu un uzmanīgi izlaidiet spiedienu.

- Neveiciet dzinēja degvielas uzpildi telpās. Nepietiekama gaisa plūsma var izraisīt savainojumus vai nāvi, nosmokot vai saindējoties ar oglekļa monoksīdu (tvana gāzi).
- Rūpīgi pievelciet degvielas tvertnes vāciņu, lai neizraisītu aizdegšanos.
- Pirms iedarbināšanas pārvietojiet izstrādājumu vismaz 3 m (10 pēdu attālumā) no vietas, kur veicāt uzpildi.
- Neleļļiet degvielas tvertnē pārāk daudz degvielas.
- Pārliecinieties, vai, pārvietojot izstrādājumu vai degvielas tvertni, nerodas sūce.
- Nenovietojiet izstrādājumu vai degvielas tvertni vietā, kur ir atklāta uguns, dzirksteles vai signāllampīnas. Pārliecinieties, vai uzglabāšanas vietā nav atklāta uguns.
- Degvielas pārvietošanai un uzglabāšanai izmantojiet tikai tam paredzētas tvertnes.
- Pirms ilgstošas uzglabāšanas iztukšojiet degvielas tvertni. Ievērojiet vietējos noteikumus par atbrīvošanos no degvielas.
- Pirms ilgstošas uzglabāšanas notīriet izstrādājumu.
- Pirms izstrādājuma novietošanas glabāšanā izņemiet aizdedzes svēci, lai nodrošinātu, ka dzinējs nejauši neieslēdzas.

Norādījumi par drošu apkopi

- Pirms veikt izstrādājuma apkopi, atvienojiet aizdedzes svēci (izņemot karburatora regulēšanu).
- Uztiēciet visus izstrādājuma apkopes darbus apstiprinātām izplatītājam, izņemot darbus, kas minēti šeit: *APKOPE lpp. 318*.
- Pārliecinieties, vai pēc droseles mēlītes atlaišanas zāga ķēde pārstāj kustēties.
- Rokturim ir jābūt sausiem un tīriem, un uz tiem nedrīkst nokļūt eļļas vai degvielas maisījums.
- Uzturiet vāciņus un fiksatorus pareizi pievilktus.
- Neapstiprinātas rezerves daļas vai drošības ierīču noņemšana var radīt izstrādājuma bojājumus. Var tikt radīta trauma arī operatoram vai citiem cilvēkiem. Izmantojiet tikai ieteiktos piederumus un rezerves daļas. Nepārveidojiet izstrādājumu.
- Uzturiet zāga ķēdi asu un tīru drošai un kvalitatīvai darbībai.
- Ievērojiet eļļošanas un piederumu maiņas norādījumus.
- Pārbaudiet, vai izstrādājumā nav bojātu detaļu. Pirms turpmākas izstrādājuma lietošanas pārbaudiet, vai bojātais aizsargs vai detaļas darbojas pareizi. Pārbaudiet, vai nav bojātu vai nepareizi salāgotu detaļu un detaļas kustas brīvi. Pārbaudiet, vai nav radušies citi apstākļi, kas var ietekmēt izstrādājuma darbību. Pārliecinieties, vai izstrādājums ir atbilstoši salikts. Bojātais aizsargs vai cita detaļa jāremontē vai jānomaina apstiprinātām izplatītājam, ja vien lietotāja rokasgrāmatā nav norādīts citādi.

- Ja izstrādājumu nelietojat, novietojiet to sausā, augstā vai noslēdzamā, bērniem nepieejamā vietā.
- Izstrādājuma pārvadāšanas vai uzglabāšanas laikā izmantojiet virzītājsliedes pārsegu vai futrāli.

- Neizmantojiet izlietotu eļļu. Izlietota eļļa var kļūt bīstama, radot izstrādājuma bojājumus un vides piesārņojumu.

MONTĀŽA



BRĪDINĀJUMS: Pirms izstrādājuma montāžas izlasiet un izprotiet drošības norādījumus.

Virzītājsliedes un zāģa ķēdes uzstādīšana

1. Noņemiet aizdedzes sveces uzgali no aizdedzes sveces, lai uzstādīšanas laikā nepieļautu nejaušu zāģa iedarbināšanu. (Att. 39) (Att. 40)
 2. Atskrūvējiet sliedes uzgriežņus un noņemiet sajūga vāku. Noņemiet transportēšanas aizsargvāku (A). (Att. 41)
 3. Novietojiet virzītājsliedi uz sliedes skrūvēm. Aizbīdiet virzītājsliedi līdz galējam aizmugurējam stāvoklim.
 4. Uzvelciet aizsargcimdus.
 5. Paceliet zāģa ķēdi virs piedziņas zobrata un ievietojiet virzītājsliedes riēvā. Sāciet ar virzītājsliedes augšējo malu. (Att. 42)
 6. Pārļiecinieties, vai ķēdes griešanas posmu malas virzītājsliedes augšējā malā ir vērstas uz priekšu.
7. Uzlieciet sajūga vāku un iebīdiet ķēdes regulēšanas tapu virzītājsliedes atverē.
 8. Pārbaudiet, vai zāģa ķēdes piedziņas posmi pareizi salāgojas ar piedziņas zobratu. Pārbaudiet arī, vai zāģa ķēde ir pareizi ievietota virzītājsliedes riēvā.
 9. Ar pirkstiem pievelciet virzītājsliedes uzgriežņus.
 10. Pievelciet zāģa ķēdi, ar kombinēto atslēgu griežot ķēdes spriegošanas skrūvi pulkstenrādītāju kustības virzienā. Pievelciet zāģa ķēdi, līdz tā nenokarājas zem virzītājsliedes, taču ir iespējams to viegli pagriezt ar roku. (Att. 43) un (Att. 44)
 11. Turiet virzītājsliedes galu un ar kombinēto atslēgu pievelciet sliedes uzgriežņus. (Att. 45)
 - Pēc jaunās zāģa ķēdes uzstādīšanas un tās piestrādes laikā regulāri pārbaudiet ķēdes spriegojumu.
 - Regulāri pārbaudiet ķēdes spriegojumu. Pareizs ķēdes spriegojums nodrošinās efektīvu zāģēšanu un ilgu zāģa darbmužu.

DARBĪBA



BRĪDINĀJUMS: Pirms izstrādājuma lietošanas izlasiet un izprotiet drošības norādījumus.

Degvielas izmantošana



IEVĒROJIET: Šim izstrādājumam ir divtaktu dzinējs. Izmantojiet benzīna un divtaktu dzinēja eļļas maisījumu. Pārļiecinieties, vai maisījumā ir pareizs daudzums eļļas. Nepareiza benzīna un eļļas proporcija var radīt dzinēja bojājumus.

Degvielas maisījuma sagatavošana

1. Nosakiet pareizu benzīna un dzinēja eļļas daudzumu (maisījuma attiecība: 50:1). Sagatavojiet degvielas maisījumu, kas nepieciešams ne vairāk kā 30 dienām. Skatiet šeit: *Degvielas maisījuma attiecība lpp. 315.*
2. Iepildiet pusi no benzīna daudzuma tīrā degvielas tvertnē ar pretzilšanas vārstu.



IEVĒROJIET: Neizmantojiet benzīnu, kurā etanola koncentrācija pārsniedz 10% (E10). Pretējā gadījumā izstrādājums var tikt bojāts.

Degvielas maisījuma attiecība

Benzīna un divtaktu dzinēja eļļas maisījuma attiecība degvielā ir 50:1 (2%).

Benzīns	Divtaktu dzinēja eļļa
1 ASV galons	77 ml (2,6 uncies)
1 AK galons	95 ml (3,2 uncies)
5 l	100 ml (3,4 uncies)



IEVĒROJIET: Neizmantojiet benzīnu, kura oktānskaitlis ir mazāks par 90 RON (87 AKI). Pretējā gadījumā izstrādājums var tikt bojāts.

- Piezīme:** Ja bieži un ilgstoši darbināt zāģi ar lielu dzinēja apgriezīnu skaitu, izmantojiet benzīnu ar augstāku oktānskaitli.
3. Iepildiet degvielas tvertnē visu divtaktu dzinēja eļļas daudzumu.



IEVĒROJIET: Lietojiet tikai augstas kvalitātes eļļu divtaktu dzinējam ar gaisa dzesēšanu. Citas eļļas var radīt zāga bojājumus.

4. Sakratiet degvielas maisījumu, lai sajauktu saturu.
5. Iepildiet degvielas tvertnē atlikušo benzīna daudzumu.
6. Sakratiet degvielas maisījumu, lai sajauktu saturu.
7. Piepildiet zāga degvielas tvertni ar degvielas maisījumu. Skatiet šeit: *Degvielas maisījuma attiecība lpp. 315.*

Degvielas tvertnes uzpilde

1. Pārbaudiet, vai degvielas maisījums ir atbilstošs un atrodas degvielas tvertnē ar pretizlīšanas vārstu.
2. Ja degviela jau ir tvertnē, izlejiet nevajadzīgo degvielu un ļaujiet tvertnei izžūt.
3. Pārlicinieties, vai vieta ap degvielas tvertnes vāciņu ir tīra.
4. Noņemiet degvielas tvertnes vāciņu. (Att. 46)
5. Pirms degvielas maisījuma iepildes zāga degvielas tvertnē sakratiet sagatavotās degvielas tvertni.
6. Uzlieciet atpakaļ degvielas tvertnes vāciņu.

Zāga ķēdes eļļošana

Zāgim ir automātiska eļļošanas sistēma. Noteikti lietojiet tikai pareizu ķēdes eļļu un izpildiet norādījumus.

1. Izmantojiet no augiem gatavotu ķēdes eļļu vai parastu ķēdes eļļu.
2. Notīriet vietu ap zāga ķēdes eļļas tvertnes vāciņu.
3. Noņemiet zāga ķēdes eļļas tvertnes vāciņu.
4. Uzpildiet zāga ķēdes eļļas tvertni ar ieteikto zāga ķēdes eļļu.
5. Uzlieciet atpakaļ zāga ķēdes eļļas tvertnes vāciņu.

Pirms dzinēja iedarbināšanas

- Pārbaudiet, vai izstrādājumam nav trūkstošas, bojātas, vajlgas vai nolietotas detaļas.
- Pārbaudiet uzgriežņus un skrūves.
- Pārbaudiet gaisa filtru.
- Pārbaudiet, vai droseles mēlītes bloķētājs un droseles vadība darbojas pareizi.
- Pārbaudiet, vai apturēšanas slēdzis darbojas pareizi.
- Pārbaudiet, vai izstrādājumā nav degvielas noplūdes.
- Pārbaudiet zāga ķēdes asumu un spriegojumu.

Auksta dzinēja iedarbināšana

1. Pārvietojiet priekšējo roku aizsargu uz priekšu, lai aktivizētu ķēdes bremzi. (Att. 47)
2. Pavelciet uz āru un augšu gaisa vārsta vadības ierīci.
3. 6 reizes nospiediet startēšanas sūkni. (Att. 48)

4. Ar kreiso roku piespiediet izstrādājumu pie zemes. Nekāpiet uz izstrādājuma. Lēni velciet startera auklas rokturi, līdz sajūtat pretestību. Pēc tam pavelciet startera auklas rokturi ar spēku. (Att. 49)

Piezīme: Mēģinot iedarbināt dzinēju, nespiediet droseles mēlīti.

5. Turpiniet vilkt startera auklas rokturi (ne vairāk kā 3 reizes), līdz dzinējs tiek iedarbināts vai gandrīz iedarbināts. Ja dzinējs sāk darboties vai gandrīz sāk darboties, nospiediet droseļvārsta vadības ierīci uz leju. (Att. 50)



IEVĒROJIET: Nevelciet startera auklu līdz galam. Neatļaidiet startera auklu, kad tā pilnībā izvilkta. Atļaidiet startera auklu lēnām. Neievērojot šos norādījumus var tikt radīti dzinēja bojājumi.

6. Turpiniet vilkt, līdz dzinējs iedarbināts. Pēc iedarbināšanas nogaidiet 60 sekundes, pēc tam pavelciet droseles mēlīti.
7. Pavelciet priekšējo roku aizsargu priekšējā roktura virzienā, lai izslēgtu ķēdes bremzi.
8. Ar labo roku turiet aizmugurējo rokturi un ar kreiso roku turiet priekšējo rokturi.
9. Darbiniet zāgi.

Silta dzinēja iedarbināšana

1. Pārvietojiet priekšējo roku aizsargu uz priekšu, lai aktivizētu ķēdes bremzi. (Att. 51)
2. Pavelciet uz āru un augšu gaisa vārsta vadības ierīci.
3. 6 reizes nospiediet startēšanas sūkni. (Att. 52)
4. Nospiediet uz leju gaisa vārsta vadības ierīci. (Att. 53)
5. Ar kreiso roku piespiediet izstrādājumu pie zemes. Nekāpiet uz izstrādājuma. Lēni velciet startera auklas rokturi, līdz sajūtat pretestību. Pēc tam spēcīgi paraujiet startera auklas rokturi. (Att. 54)



IEVĒROJIET: Nevelciet startera auklu līdz galam. Neatļaidiet startera auklu, kad tā pilnībā izvilkta. Atļaidiet startera auklu lēnām. Ievērojiet šos norādījumus, lai nepieļautu dzinēja bojājumus.

Piezīme: Mēģinot iedarbināt dzinēju, nespiediet droseles mēlīti.

6. Turpiniet vilkt startera auklas rokturi (ne vairāk kā 3 reizes), līdz dzinējs tiek iedarbināts vai gandrīz iedarbināts. Pēc iedarbināšanas nogaidiet 60 sekundes, pēc tam pavelciet droseles mēlīti.
7. Pavelciet priekšējo roku aizsargu atpakaļ priekšējā roktura virzienā, lai izslēgtu ķēdes bremzi.

- Ar labo roku turiet aizmugurējo rokturi un ar kreiso roku turiet priekšējo rokturi.
- Darbiniet zāgi.

Dzinēja iedarbināšana, kad degviela ir pārāk karsta

Ja zāģis nesāk darboties, degviela var būt pārāk karsta.

Piezīme: Siltā laikā vienmēr lietojiet jaunu degvielu un samaziniet darba laiku.

- Novietojiet zāģi vēsā vietā, neturiet to saules gaismā.
- Ļaujiet zāģim atdzist vismaz 20 minūtes.
- 10–15 sekundes atkārtoti nospiediet degvielas sūkni.
- Izpildiet auksta dzinēja iedarbināšanas darbības. Skatiet šeit: *Auksta dzinēja iedarbināšana lpp. 316.*

Apturēšana

- Nospiediet apturēšanas slēdzi, lai apturētu dzinēju.

Piezīme: Apturēšanas slēdzis automātiski atgriežas sākotnējā stāvoklī.

Balsta zoba izmantošana

Balsta zobs novērš atsitienus un notur koku zāģēšanas laikā. Balsta zobs ir balsta punkts starp dzinēja korpusu un virzītājsliedi.

- Novietojiet balsta zoba apakšējo galu pareizā enģes platumā.
- Ar kreiso roku piespiediet priekšējo rokturi, kamēr ceļat aizmugurējo rokturi ar labo roku.
- Zāģējiet, līdz tiek iegūts pareizs enģes platums.

Piezīme: Enģei jābūt vienādā biežumā.

- Iezāģējiet vairāk kā līdz pusei no koka diametra un tad ievietojiet griezumā koku gāšanas ķīli.

Koka nogāšana

- Notīriet no koka neīrumus, akmeņus, atdalījušos mizu, naglas, skavas un stieples.
- Iezāģējiet kokā iecirtumu 1/3 tā diametra apjomā perpendikulāri koka gāšanas virzienam. (Att. 55)
- Veiciet apakšējo horizontālo iezāģējumu. Tas palīdzēs izvairīties zāga ķēdes vai virzītājsliedes iespiešanas, veicot otro iezāģējumu.
- Atpakalģāšanas iezāģējumam (X) jābūt vismaz 50 mm (2 collas) augstāk par horizontālo iezāģējumu.

Veiciet koka atpakalģāšanas iezāģējumu paralēli horizontālās atzīmes iezāģējumam, lai paliktu pietiekami daudz koksnes, kas darbotos kā enģe. Nepārzāģējiet šo enģi. Koka enģe neļauj kokam šūpoties un krist nepareizā virzienā. (Att. 56) un (Att. 57)

- Kad atpakalģāšanas griezumam tuvojās enģe, koks sāk gāzties. Nodrošiniet, lai koks krīt pareizā virzienā, nesasveras uz aizmuguri un neiespiež zāga ķēdi. Pārtrauciet zāģēšanu pirms atpakalģāšanas griezumam pabeigšanas, lai to nepieļautu. Izmantojiet koka, plastmasas vai alumīnija ķīlus, lai atspiestu vaļā iezāģējumu un liktu kokam krist vajadzīgajā virzienā. (Att. 58)
- Kad koks sāk krist, izņemiet zāģi no griezumam. Apturiet motoru, nolieciet zāģi uz zemes un dodieties prom pa plānoto atkāpšanās ceļu. Uzmanieties no krītošā koka zariem un pievērsiet uzmanību savai gaitai. (Att. 59)

Zaru apzāģēšana

- Izmantojiet lielākos zarus, lai noturētu koku virs zemes.
- Mazos zarus nozāģējiet vienā piegājienā. (Att. 60)
- Nozāģējiet zarus, kas nospriegoti no apakšas uz augšu, lai nepieļautu zāga ķēdes vai virzītājsliedes iespiešanu.

Baļķa sagarumošana



IEVĒROJIET: Neļaujiet zāga ķēdei saskarties ar zemi.

- Ja baļķis tiek atbalstīts visā tā garumā, sāciet zāģēt no baļķa augšdaļas (ko dēvē par sagarumošanu no augšas). (Att. 61)
- Ja baļķis tiek atbalstīts vienā galā, iezāģējiet baļķi 1/3 diametrā tā apakšpusē (ko dēvē par sagarumošanu no apakšas).
- Ja baļķis tiek atbalstīts abos tā galos, iezāģējiet baļķi par 1/3 diametra no augšas. Pabeidziet zāģēšanu ar apakšējo 2/3 baļķa diametra pārzāģēšanu līdz saskarei ar pirmo iegriezumu. (Att. 62)
- Ja baļķis tiek sagarumots uz nogāzes, vienmēr stāviet baļķa nogāzes augšpusē. Zāģējiet baļķi, kamēr spējat nodrošināt pilnīgu zāga vadību. Tad maziniet zāģēšanas spiedienu tuvu griezumam beigām, vienlaikus stingri turot aizmugurējo un priekšējo rokturi. (Att. 63)



BRĪDINĀJUMS: Pirms tīrīt, remontēt un apkopt zāģi, izlasiet un izprotiet drošības sadaļu.

Apkopes grafiks

Obligāti ievērojiet apkopes grafiku. Intervāli tiek aprēķināti atbilstoši izstrādājuma ikdienas lietošanai. Ja nelietojat izstrādājumu katru dienu, intervāli ir atšķirīgi. Veiciet tikai tos apkopes darbus, kas minēti šajā rokasgrāmatā. Lai veiktu apkopes darbus, kas nav minēti šajā rokasgrāmatā, sazinieties ar pilnvarotu apkopes centru.

Ikdienas apkope

- Notīriet ārējās virsmas.
- Pārbaudiet, vai mēlītes bloķētājs un mēlīte darbojas pareizi.
- Notīriet ķēdes bremzi un pārbaudiet, vai tā darbojas pareizi.
- Pārbaudiet, vai nav radušies ķēdes uztvērēja bojājumi. Ja ķēdes uztvērējs ir bojāts, nomainiet to.
- Katru dienu apvārsiet virzītājsliedi, lai panāktu tās vienmērīgāku nodilumu.
- Gādājiet, lai virzītājsliedes eļļošanas atvere nav aizsērējusi.
- Atbrīvojieties no skaidām un citiem nevēlamiem priekšmetiem zem ķēdes rata aizsega.
- Iztīriet virzītājsliedes rievu.
(Att. 64)
- Sekojiet, lai virzītājsliede un zāģa ķēde tiktu pienācīgi ieeļļota.
- Pārbaudiet, vai zāģa ķēdei:
 - nav plaisas ķēdes posmos un kniedēs;
 - nav nevienmērīgi nodilušas kniedes posmi;
 - ir pareizs spriegojums;
 - nav nelīdzeni dzinējposmi.

Ja nepieciešams, nomainiet zāģa ķēdi.

- Uzasiniet zāģa ķēdi. Skatiet šeit: *Zāģa ķēdes asināšana lpp. 319.*
- Pārbaudiet, vai nav nodilis piedziņas zobrats un, ja nepieciešams, nomainiet to.
(Att. 65)
- Iztīriet dzinēja korpusa gaisa ieplūdes vietu.
- Pārlicinieties, vai skrūves un uzgriežņi ir stingri pievilkti.
- Pārbaudiet, vai barošanas slēdzis darbojas pareizi.

Iknedēšanas apkope

- Pārbaudiet, vai dzesēšanas sistēma darbojas pareizi.
- Pārlicinieties, vai starteris, startera aukla un atgriezējatspere darbojas pareizi.

- Pārbaudiet, vai nav bojāti vibrāciju slāpēšanas elementi.

(Att. 66)

- Novilējiet virzītājsliedes malu atskarpes, ja tādas ir.
- Iztīriet vai nomainiet trokšņu slāpētāja dzirksteļu uztvērēja režģi.

(Att. 67)

- Notīriet karburatoru un virsmu ap to.
- Iztīriet gaisa filtru. Ja gaisa filtrs ir bojāts vai pārāk netīrs, lai to pilnībā iztīrītu, uzstādiet jaunu. Plašāku informāciju skatiet šeit: *Gaisa filtra tīrīšana lpp. 319.*

Ikmēneša apkope

- Pārbaudiet, vai nav nodilusi ķēdes bremzes lente. Nomainiet bremzes lenti, ja tās biežums visvairāk nodilušajā posmā ir mazāks par 0,6 mm (0,024 collām).

(Att. 68)

- Pārbaudiet, vai sajūga centrs, sajūga cilindrs un sajūga atspere nav nodilusi.
- Notīriet aizdedzes sveci. Pārbaudiet, vai attālums starp aizdedzes sveces elektrodiem ir pareizs.

(Att. 69)

- Notīriet karburatoru un virsmu ap to.
- Pārbaudiet degvielas filtru un degvielas šļūteni. Ja nepieciešams, nomainiet.
- Iztukšojiet degvielas tvertni.
- Iztukšojiet eļļas tvertni.
- Pārbaudiet visus kabelus un savienojumus.

Ilgadēja apkope

- Pārbaudiet aizdedzes sveci.
- Notīriet karburatoru un virsmu ap to.
- Iztīriet dzesēšanas sistēmu.
- Pārbaudiet dzirksteļu uztvērēja režģi.
- Pārbaudiet degvielas filtru.
- Pārbaudiet, vai nav radušies degvielas šļūtenes bojājumi.
- Pārbaudiet visus kabelus un savienojumus.

Periodiskā apkope

- Pēc 50 darba stundām lieciet apstiprinātam apkopes centram saremontēt vai nomainīt trokšņa slāpētāju.
- Veiciet aizdedzes sveces apkopi, kad:
 - ir zems dzinēja jaudas līmenis;
 - ir grūti iedarbināt dzinēju;
 - tukšgaitā dzinējs nedarbojas pareizi.
- Katras degvielas uzpildes laikā pārbaudiet zāģa ķēdes eļļošanas stāvokli. Skatiet šeit: *Zāģa ķēde eļļošanas stāvokļa pārbaude lpp. 320.*

Tukšgaitas apgriezienu skaita regulēšana

Pirms tukšgaitas apgriezienu skaita regulēšanas pārļiecinieties, vai gaisa filtrs ir tīrs un ir piestiprināts gaisa filtra pārsegs.

1. Griežiet regulēšanas skrūvi, kas apzīmēta ar "T" zīmi pulksteņrādītāju kustības virzienā, līdz zāģa ķēde sāk kustību.
2. Griežiet regulēšanas skrūvi, kas apzīmēta ar "T" zīmi pretēji pulksteņrādītāju kustības virzienam, līdz zāģa ķēde apstājas.
3. Tukšgaitas apgriezienu skaitam ir jābūt mazākam par to, pie kura zāģa ķēde sāk kustību. Tukšgaitas apgriezienu skaits ir pareizs, ja dzinējs vienmērīgi darbojas visos režīmos.

Dzirksteļu uztvērēja režģa apkope

- Ar metāla suku iztīriet dzirksteļu uztvērēja režģi. (Att. 70)

Aizdedzes svece apkope



IEVĒROJIET: Izmantojiet ieteikto aizdedzes sveces tipu. Pārļiecinieties, vai rezerves detaļa ir tāda pati kā ražotāja nodrošinātā. Nepareiza aizdedzes svece var radīt izstrādājuma bojājumus.

1. Ja zāģi ir grūti iedarbināt vai darbināt, pārbaudiet, vai uz aizdedzes sveces nav uzkrājušies nevēlami materiāli. Lai samazinātu nevēlamu materiālu uzkrāšanos uz aizdedzes sveces elektrodiem:
 - a) pārļiecinieties, vai tukšgaitas apgriezienu skaits ir pareizi noregulēts;
 - b) pārļiecinieties, vai degvielas maisījums ir pareizs;
 - c) pārļiecinieties, vai gaisa filtrs ir tīrs.
2. Ja aizdedzes svece ir netīra, notīriet to. Pārbaudiet, vai attālums starp aizdedzes sveces elektrodiem ir pareizs. (Att. 71)
3. Kad nepieciešams, nomainiet aizdedzes sveci.

Gaisa filtra tīrīšana

1. Noņemiet gaisa filtra pārsegu un izņemiet gaisa filtru. (Att. 72)
2. Iztīriet gaisa filtru ar siltu ziepjūdeni. Pirms uzstādīšanas pārļiecinieties, vai gaisa filtrs ir sauss.
3. Nomainiet gaisa filtru, ja tas ir pārāk netīrs, lai to pilnībā notīrītu. Vienmēr nomainiet bojātu gaisa filtru.

Zāģa ķēdes asināšana

Grieznis

Zāģa ķēdes zāģējošo daļu sauc par griežēju, un tas sastāv no zāģa zoba (A) un dziļummēra (B). Augstumu

starpība starp šiem diviem elementiem nosaka griezēja griešanas dziļumu — dziļummēra iestatījumu (C).

(Att. 73)

Asinot zāģa zobus, ir jāņem vērā četri parametri.

- Asināšanas leņķis.

(Att. 74)

- Zāģēšanas leņķis.

(Att. 75)

- Vīles stāvoklis.

(Att. 76)

- Apaļās vīles diametrs.

(Att. 77)

Griezējzobu asināšana

Griezējzobu asināšanai izmantojiet apaļo vīli un šablonu. Informāciju par ieteicamajiem vīles izmēriem un uz izstrādājuma uzstādāmo zāģa ķēdes mēru skatiet šeit: *Zāģa ķēdes vilēšana un zāģa ķēdes kombinācijas lpp. 322.*

(Att. 78)

1. Pārbaudiet, vai zāģa ķēdes spriegojums ir pareizs. Nepareizi nospriegotā ķēde pārvietojas uz vienu pusi, un asināšana nenotiek pareizi.
2. Lietojiet vīli visiem zobiem vienā pusē. Tad lietojiet vīli griezējzoba iekšējai virsmai un samaziniet spiedienu pretējā virzienā.
3. Apvēršiet zāģi otrādi un apstrādājiet zobus ar vīli.
4. Izmantojiet vīli, lai uzturētu visus zobus vienāda garuma. Nomainiet nodilušu zāģa ķēdi, ja griezējzobu garums samazinās līdz 4 mm (5/32 collām).

Dziļummēra iestatījumu pielāgošana

Pirms regulējat dziļummēra iestatījumu, uzasiniet griezējzobus. Skatiet šeit: *Griezējzobu asināšana lpp. 319.* Uzasinot griezējzobus (A), samazinās dziļummēra iestatījums (C). Lai saglabātu optimālu griešanas veiktspēju, dziļummērs (B) ir jānovirē līdz ieteicamajam dziļummēra iestatījumam. Lai noskaidrotu pareizu konkrētās ķēdes dziļummēra iestatījumu, skatiet šeit: *Zāģa ķēdes vilēšana un zāģa ķēdes kombinācijas lpp. 322.*

(Att. 79)

(Att. 80)

Piezīme: Šī rekomendācija paredz, ka zāģa zobi nav pārsmērīgi novīlēti.

Izmantojiet plakano vīli un dziļuma mērierīci, lai pielāgotu dziļummēru.

1. Novietojiet dziļuma mērierīci virs zāģa ķēdes. Informācija par dziļuma mēritāja lietošanu ir atrodamā uz dziļuma mēritāja iepakojumā.

2. Lai novilētu dziļummēra lieko daļu, izmantojiet plakanvīli. Dziļummērs ir pareizi novilēts, kad, velkot vīli pār dziļuma mēritāju, nejut nekādu pretestību.

Zāģa ķēdes sprieģošana

Piezīme: Jaunās zāģa ķēdes piestrādes laikā bieži pārbaudiet tās sprieģojumu.

1. Atļaidiet virzītājsliedes uzgriežņus, kas notur ķēdes rata pārsegu. Lietojiet kombinēto atslēgu. (Att. 81)
2. Ar roku iespējami stingri pievelciet virzītājsliedes uzgriežņus.
3. Paceliet virzītājsliedes augšdaļu un izstiepiet zāģa ķēdi, pievelkot ķēdes sprieģošanas skrūvi. Lietojiet kombinēto atslēgu. Pievelciet zāģa ķēdi, līdz tā nenokarājas zem virzītājsliedes. (Att. 82)
4. Pievelciet virzītājsliedes uzgriežņus, izmantojot kombinēto atslēgu, un vienlaikus paceliet virzītājsliedes galu. (Att. 83)
5. Pārbaudiet, vai zāģa ķēdi var netraucēti pagriezt ar roku un tā nenokarājas. (Att. 84)

Griešanas aprīkojuma eļļošana

Zāģa ķēde eļļošanas stāvokļa pārbaude

Katras degvielas uzpildes laikā pārbaudiet ķēdes zāģa eļļošanas stāvokli.

PĀRVADĀŠANA

- Pirms pārvadāšanas iztukšojiet degvielas un ķēdes eļļas tvertnes. Atbrīvojieties no izlietotajiem šķidrumiem pareizi.
- Pārvadāšanas laikā uzlieciet uz griešanas ierīces virzītājsliedes pārsegu. Tādējādi neviens nevarēs nejauši pieskarties asajai zāģa ķēdei. Zāģa ķēde, kas nekustas, var radīt traumu jums un citiem, kas pieskaras asajai zāģa ķēdei.
- Pirms pārvadāšanas noņemiet no aizdedzes sveces uzgali un ieslēdziet ķēdes bremzi.
- Sekojiet, lai zāģis neizkustētos pārvadāšanas laikā.

UZGLABĀŠANA

- Ja zāģi nelietojat, vienmēr to droši novietojiet glabāšanai. Noplūdes un izgarojumi no zāģa var saskarties ar dzirkstelēm, atklātu liesmu no elektroaprīkojuma, elektriskajiem zāles plāvējiem, relejiem/slēdzīem, tvaika katliem un daudzām citām ierīcēm.
- Uzglabājiet degvielu tikai paredzētajās tvertnēs.
- Ilgstoši uzglabājot zāģi, iztukšojiet degvielas un ķēdes eļļas tvertni. Atbrīvojieties no izlietotajiem šķidrumiem pareizi.
- Uzglabājot zāģi, uzlieciet uz virzītājsliedes tās pārsegu. Tādējādi neviens nevarēs nejauši pieskarties asajai zāģa ķēdei. Zāģa ķēde, kas nekustas, var radīt smagu traumu jums un citiem, kas pieskaras asajai zāģa ķēdei.
- Pirms zāģa uzglabāšanas noņemiet no aizdedzes sveces uzgali un ieslēdziet ķēdes bremzi.

TEHNISKIE DATI

	Mērvienība	130 (H13038HV)	135 Mark II (H13038HV)
Dzinēja tehniskie dati			
Cilindra darba tilpums	cm ³	38	38
Aizdedzes svece	—	NGK BPMR 7A	NGK BPMR 7A
Elektrodu atstarpe	mm (collas)	0,5 (0,02)	0,5 (0,02)
Degvielas tvertnes tilpums	cm ³	350	350
Apgrīzietņu skaits tukšgaitā	min ⁻¹	2800–3200	2800–3200
Jauda ar 9000 apgr./min ⁻¹	kW	1,5	1,6
Emisiju noturības periods	h	125	125
Trokšņa un vibrācijas līmeņa dati			
Ekvivalents vibrācijas līmenis (ahv, eq), kreisās puses rokturis ¹⁰⁶	m/s ²	3,72	3,72
Ekvivalents vibrācijas līmenis (ahv, eq), labās puses rokturis ¹⁰⁷	m/s ²	5.5	5.5
Skaņas jaudas līmenis, garantētais (L _{WA}) ¹⁰⁸	dB (A)	116	116
Skaņas jaudas līmenis, mērīts ¹⁰⁹	dB (A)	114	114
Skaņas spiediena līmenis pie operatora auss ¹¹⁰	dB (A)	102	102
Izstrādājuma izmēri			
Svars (bez griešanas aprīkojuma)	kg	4,68 (10,3)	4,68 (10,3)
Eļļas tvertnes tilpums	cm ³	260	260
Degvielas un eļļošanas sistēma			
Eļļas sūkņa darbība ar 9000 apgr./ ¹	ml/min	9	9
Eļļas sūkņa tips	—	Automātisks	Automātisks
Zāģa ķēde ar virzītājsliedi			
Standarta virzītājsliedes garums	cm (collas)	35–40 (14–16)	35–40 (14–16)
Ieteicamais virzītājsliedes garums	cm (collas)	35–40 (14–16)	35–40 (14–16)

¹⁰⁶ Ekvivalents vibrācijas līmenis tiek aprēķināts, kā laika periodā svērti kopīgie vibrācijas līmeņu kopējā enerģija dažādos darba apstākļos. Sniegtajos datos par ekvivalentu vibrācijas līmeni ir tipiska 1,5 m/s² statistiskā izkliede (standarta novirze).

¹⁰⁷ Ekvivalents vibrācijas līmenis tiek aprēķināts, kā laika periodā svērti kopīgie vibrācijas līmeņu kopējā enerģija dažādos darba apstākļos. Sniegtajos datos par ekvivalentu vibrācijas līmeni ir tipiska 1,5 m/s² statistiskā izkliede (standarta novirze).

¹⁰⁸ Trokšņa līmenis vidē ir noteikts kā izmērītā skaņas jauda (L_{WA}).

¹⁰⁹ Trokšņa līmenis vidē ir noteikts kā izmērītā skaņas jauda (L_{WA}).

¹¹⁰ Ekvivalents skaņas spiediena līmenis tiek aprēķināts, kā laika intervālā svērti kopīgie skaņas spiediena līmeņi dažādos darba apstākļos. Tipiska statistiskā izkliede ekvivalentam trokšņa spiediena līmenim ir standarta novirze 2,5 dB (A).

	Mērvienība	130 (H13038HV)	135 Mark II (H13038HV)
Zāģēšanā izmantojamais garums	cm (collas)	33–38 (13–15)	33–38 (13–15)
Maksimālais zāģa ķēdes apgriezietu skaits	m/s	22,3	22,3
Zāģa ķēdes solis	mm (collas)	9,52 (3/8)	9,52 (3/8)
Piedziņas posmu biezums (mērs)	mm (collas)	1,3 (0,050)	1,3 (0,050)
Piedziņas zobrata tips	—	Ķēdes piesis	Ķēdes piesis
Piedziņas zobrata zobu skaits	—	6	6

PIEDERUMI

Virzītājsliedes un zāģa ķēdes kombinācijas

Virzītājsliede				Zāģa ķēde	
Garums	Ķēdes solis	Mērs	Maks. gala rādītuss	Tips	Piedziņas posmu skaits
14 collas	38 collas	0,050 collas	7T	Husqvarna H37	52
16 collas				Husqvarna S93G	56

Zāģa ķēdes vilēšana un zāģa ķēdes kombinācijas

Ķēdes tips	Apaļās vīles izmērs	Sānu plāksnes leņķis	Augšējās plāksnes leņķis	Vīles vadotnes leņķis	Dziļum-mēra iestatīšana	Dziļum-mēra daļas nr.	Vīles mēra daļas nr.
H37, S93G	5/32 collas 4,0 mm	80°	30°	0°	0,025/0,65	5056981-03	5052437-01

ES ATBILSTĪBAS DEKLARĀCIJAS SATURS

Ar šo mēs, Husqvarna AB, SE 561 82 Huskvarna, ZVIEDRIJĀ, ar pilnu atbildību apliecinām, ka šis izstrādājums:

Apraksts	Ķēdes zāģis ar benzīna dzinēju
Zīmols	Husqvarna

Apraksts	Ķēdes zāģis ar benzīna dzinēju
Platforma/tips/modelis	Platforma H13038HV, atbilst modelim 130, 135 Mark II
Partija	Sērijas numurs, sākot no 2018

pilnībā atbilst šādām ES direktīvām un noteikumiem:

Direktīva/regula	Apraksts
2006/42/EK	par mašīnām
2014/30/EK	par elektromagnētisko savietojamību
2000/14/EK	par trokšņa emisiju vidē
2011/65/EK	“noteiktu bīstamu vielu lietošanas ierobežojums”

Ir piemēroti šādi saskaņotie standarti un/vai tehniskās specifikācijas: EN ISO 12100, EN ISO 11681-1, CISPR 12, ISO 14982

Saskaņā ar Direktīvas 2000/14/EK V pielikumu deklarētie skaņas līmeņi ir norādīti šīs rokasgrāmatas tehnisko datu sadaļā un parakstīti ES atbilstības deklarācijā.

TÜV Rheinland LGA Products GmbH, iekārtu direktīvas prasībām (saskaņā ar 0197) atbilstoša ekspertīzes iestāde, kas atrodas šādā adresē: Tillystraße 2 - 90431 Nürnberg, Vācija, veica pārbaudi saskaņā ar direktīvas 2006/42/EK 12. paragrāfa 3b punktu.

Šis tipa pārbaudes sertifikāts saskaņā ar IX pielikumu, kas pievienots parakstītajai atbilstības deklarācijai, ir derīgs visām ražotnēm un izcelsmes valstīm, kas norādītas uz izstrādājuma.

Šis ķēdes zāģis atbilst paraugam, kam veikta EK noteiktā tipa pārbaude.

Содержание

ВЪВЕДЕНИЕ.....	324	ТРАНСПОРТИРАНЕ.....	336
БЕЗОПАСНОСТ.....	325	СЪХРАНЕНИЕ.....	336
МОНТАЖ.....	329	ТЕХНИЧЕСКИ ХАРАКТЕРИСТИКИ.....	336
РАБОТА.....	330	ПРИНАДЛЕЖНОСТИ.....	338
ТЕХНИЧЕСКО ОБСЛУЖВАНЕ.....	333	СЪДЪРЖАНИЕ НА ДЕКЛАРАЦИЯТА ЗА СЪОТВЕТСТВИЕ НА ЕС.....	338

ВЪВЕДЕНИЕ

Инструкция за експлоатация

Оригиналната версия на настоящата инструкция за експлоатация е на английски език. Инструкциите за

експлоатация на други езици са преведени от английски.

Преглед

(Фиг. 1)

1. Капак на цилиндъра
2. Подкачваща помпа
3. Табелка с името на продукта и серийния номер
4. Информационна и предупредителна лепенка
5. Превключвател за спиране
6. Задна дръжка
7. Резервоар за гориво
8. Дръжка на въжето на стартера
9. Корпус на стартера
10. Маркировка за посоката на повалянето
11. Резервоар за верижно масло
12. Предна дръжка
13. Верижна спирачка и аварийен лост
14. Ауслух
15. Верига за моторен трион
16. Челно колело на шината
17. Водеща шина
18. Винт за натягане на веригата (130)
19. Винт за натягане на веригата (135 Mark II)
20. Буферен шип
21. Уловител на веригата
22. Капак на съединителя
23. Предпазител за дясната ръка
24. Регулатор за газта
25. Блокировка на регулатор за газта
26. Капак на водещата шина
27. Комбиниран инструмент
28. Инструкция за експлоатация

Символи върху машината

(Фиг. 2) Предупреждение

- (Фиг. 3) Прочетете това ръководство
- Носете одобрени защитни средства за глава, антифони и защитни средства за очите
- (Фиг. 4)
- (Фиг. 5) Използвайте одобрени защитни ръкавици
- Продуктът е в съответствие с приложените директива на ЕО
- (Фиг. 6)
- (Фиг. 7) Сила на звука
- Верижна спирачка, незадействана (вляво). Верижна спирачка, задействана (вдясно)
- (Фиг. 8)
- (Фиг. 9) Смукач
- (Фиг. 10) Подкачваща помпа
- (Фиг. 11) Презареждане с гориво
- (Фиг. 12) Наливане на верижно масло
- Продуктът е в съответствие с приложените директиви на ЕАС
- (Фиг. 13)
- Продуктът е в съответствие с приложените директиви на Украйна
- (Фиг. 14)
- Продуктът е в съответствие с приложените директиви на Корея
- (Фиг. 15)
- Продуктът е в съответствие с приложените директиви на Япония
- (Фиг. 16)
- (Фиг. 17) Ниво на шума
- (Фиг. 18) Дръжте продукта правилно с две ръце
- (Фиг. 19) Не използвайте с една ръка

(Фиг. 20) Избягвайте контакт с върха на водещата шина

(Фиг. 21) Пазете се от обратен удар

(Фиг. 22) Продуктът е в съответствие с приложимите директиви на Австралия и

Нова Зеландия относно електромагнитната съвместимост.

Забележка: Останалите символи/стикери на продукта се отнасят до изисквания по отношение на сертификати за други търговски зони.

Proposition 65 (Закон за безопасна питейна вода и защита от токсичност на щата Калифорния)

(Фиг. 23)

EU V



ПРЕДУПРЕЖДЕНИЕ: Намесата в двигателя прави невалидно ЕС одобрението на тип на този продукт.

Отговорност за вреди, причинени от стоки

Както е посочено в законите за отговорност за вреди, причинени от стоки, ние не носим отговорност за щети, причинени от нашия продукт, ако:

- продуктът е неправилно ремонтиран.
- продуктът е ремонтиран с части, които не са от производителя или не са одобрени от производителя.
- продуктът има принадлежност, която не е от производителя или не е одобрена от производителя.
- продуктът не е ремонтиран в одобрен сервизен център или от одобрен орган.

БЕЗОПАСНОСТ

Дефиниции за безопасност

Дефинициите по-долу предоставят нивото на сериозност за всяка една предупредителна дума.



ПРЕДУПРЕЖДЕНИЕ: Нараняване на лица.



ВНИМАНИЕ: Повреда на продукта.

Забележка: Тази информация прави продукта по-лесен за използване.

Общи инструкции за безопасност

- Използвайте правилно продукта. Неправилната употреба може да доведе до нараняване или смърт. Използвайте продукта само за задачите, описани в настоящето ръководство. Не използвайте продукта за други задачи.
- Прочетете, разберете и спазвайте инструкциите в това ръководство. Спазвайте символите за безопасност и инструкциите за безопасност. Ако операторът не спазва инструкциите и символите, резултатът може да е нараняване, повреда или смърт.
- Не изхвърляйте това ръководство. Следвайте инструкциите за монтиране, използване и

поддръжка на продукта в добро състояние. Следвайте инструкциите за правилен монтаж на приспособленията и принадлежностите. Използвайте само одобрени приспособления и принадлежности.

- Не използвайте повреден продукт. Спазвайте графика за техническо обслужване. Извършвайте само дейностите по техническо обслужване, за които ще намерите инструкцията в това ръководство. Всички други дейности по техническото обслужване трябва да бъдат извършени от одобрен сервизен център.
- Това ръководство не може да включва всички ситуации, които биха могли да възникнат при използване на продукта. Бъдете внимателни и действайте разумно. Не работете с продукта и не извършвайте техническо обслужване, ако не сте сигурни относно ситуацията. За да получите информация, говорете с експерт по продукта, Вашия дистрибутор, сервиз или с одобрен сервизен център.
- Разкачете проводника на запалителната свещ преди сглобяване, складиране или техническо обслужване на продукта.
- Не използвайте продукта, ако е променен спрямо първоначалните му спецификации. Не сменяйте някоя част на продукта без одобрение от производителя. Използвайте само части, които са одобрени от производителя. Неправилното техническо обслужване е възможно да доведе до нараняване или смърт.

- Не вдишвайте изпарения от двигателя. Продължителното вдишване на отработени газове от двигателя, изпарения от верижното масло и прах от дървените стърготини може да е опасно за здравето.
- Не стартирайте продукта на закрито или близо до запалими материали. Отработените газове са горещи и биха могли да съдържат искри, които да предизвикат пожар. Недостатъчният въздушен поток може да доведе до нараняване или смърт поради задушаване или въглероден окис.
- Този продукт създава електромагнитно поле по време на работа. Електромагнитното поле може да предизвика повреда на медицински импланти. Говорете с Вашия лекар или с производителя на медицинския имплант, преди да започнете работа с продукта.
- Не позволявайте на деца да работят с продукта.
- Не позволявайте на лица, които не са запознати с инструкциите, да работят с продукта.
- Винаги наблюдавайте лица с намален физически или умствен капацитет, които използват продукта. През цялото време трябва да присъства отговорен възрастен.
- Съхранявайте продукта под ключ на място, недостъпно за деца и неупълномощени лица.
- Възможно е от продукта да изхвърчат предмети и да причинят наранявания. Спазвайте инструкциите за безопасност, за да намалите опасността от нараняване или смърт.
- Не се отдалечавайте от продукта, когато двигателят работи. Спрете двигателя и се уверете, че веригата не се върти.
- Операторът на продукта е отговорен при възникването на инцидент.
- Уверете се, че частите не са повредени, преди да използвате продукта.
- Направете справка с националните или местните закони. Те биха могли да предотвратят или ограничат работата на продукта при определени условия.

Инструкции за безопасност по време на работа

- Продължителната или честата работа с продукта може да доведе до вибрационна болест или подобни медицински проблеми, причинени от вибрации. Ако работите продължително или често с продукта, проверявайте състоянието на ръцете и пръстите си. Ако ръцете или пръстите ви се обезцветяват, имате болка, изтръпване или схващане, спрете работа и незабавно се консултирайте с лекар.
- Уверете се, че продуктът е напълно сглобен, преди да го използвате.
- Възможно е изхвърчане на предмети от продукта, което може да доведе до увреждане на очите. Винаги използвайте одобрени защитни средства за очите, когато работите с продукта.

- Бъдете внимателни – без да знаете, някое дете може да се доближи до продукта, докато той работи.
- Не работете с продукта, ако има хора в работната зона. Спрете продукта, ако в работната зона влезе човек.

(Фиг. 24)

- Уверете се, че винаги имате контрол над продукта.
- При работа с продукта трябва да го държите с две ръце. Не дръжте продукта с една ръка по време на работа. Държането на продукта само с една ръка по време на работа може да доведе до сериозно нараняване на оператора, работниците, странични лица или на всички тях.
- Хванете предната дръжка с лявата ръка, а задната ръкохватка – с дясната ръка. Дръжте продукта отдясно на тялото си.

(Фиг. 25)

- Не работете с продукта, когато сте уморени, болни или под въздействието на алкохол или други опииати.
- Не използвайте продукта, ако няма възможност да получите помощ при възникването на инцидент. Преди да стартирате продукта, уведомете другите, че ще работите.
- Не се обръщайте, докато държите продукта, преди да се уверите, че в безопасната зона няма други хора или животни.
- Отстранете всички нежелани материали от работната зона, преди да започнете работа. Ако веригата се удари в предмет, той може да изхвърчи и да доведе до нараняване или повреда. Нежеланите материали могат да се увият около веригата и да доведат до повреда.
- Не използвайте продукта при лошо време, например при мъгла, дъжд, силни ветрове, опасност от светкавици или други метеорологични условия. При лошо време може да възникнат опасни условия от рода на хлъзгави повърхности.
- Уверете се, че можете да се движите свободно и да работите в стабилна позиция.
- Уверете се, че няма да паднете, когато използвате продукта. Не накланяйте при работа с продукта.
- Винаги дръжте продукта с двете си ръце. Хванете предната дръжка с лявата ръка, а задната ръкохватка – с дясната ръка. Дръжте продукта отдясно на тялото си.
- Ако смукачът е в положение "задействан смукач", когато запалите двигателя, веригата започва да се върти.
- Спрете двигателя, преди да местите продукта.
- Не оставяйте продукта на земята, когато двигателят работи.
- Спрете двигателя, преди да отстраните нежелани материали от продукта. Изчакайте

веригата да спре, преди Вие или Ваш помощник да отстраните изрязания материал.

- Не работете с продукта, покачени на дърво. Работата с продукта, докато сте на дървото, може да доведе до телесна повреда.

(Фиг. 26)

- За да се намали опасността от контакт с веригата за моторния трион при стартиране, верижната спирачка трябва да бъде включена при стартиране на продукта.

(Фиг. 27)

- Избягвайте откат, приплъзване, подскачане и изпускане, които могат да доведат до сериозно нараняване.
- Спазвайте всички правила за безопасност, за да избегне опасността от откат, приплъзване, подскачане и изпускане, които могат да доведат до сериозно нараняване.
- Редовно регулирайте натягането на веригата на моторния трион, за да не се отпусне. Отпуснатата верига за моторен трион може да се откачи и да предизвика сериозно нараняване или смърт.
- Не поваляйте дървета по неправилен начин. Това може да предизвика нараняване и да причини повреди на комунални линии или имуществени щети.
- Операторът трябва да стои от горната страна на терена, тъй като е по-вероятно, след като бъде повалено, дървото да се изтърколи или плъзне надолу по склона.

(Фиг. 28)

- Преди рязане планирайте и разчистете път за отдръпване. Пътят за отдръпване трябва да се простира назад и диагонално към задната част на очакваната траектория на падане.

(Фиг. 29)

- Винаги спирайте двигателя, преди да местите продукта между дърветата.
- Уверете се, че сте стъпили здраво и балансирано, с равномерно разпределено тегло.

(Фиг. 30)

- Винаги стъпвайте стабилно и работете с продукта само когато стоите на неподвижна, стабилна и равна повърхност. Хлъзгавите или нестабилни повърхности, като например стълби, могат да предизвикат загуба на баланс или контрол.

(Фиг. 31)

Откат, приплъзване, подскачане и пропадане

Различни сили може да въздействат на безопасната работа с продукта.

- **Приплъзване** е, когато водещата шина се движи бързо по повърхността на дървото.

- **Подскачане** е, когато водещата шина отскача и се допира постоянно до повърхността на дървото.
- **Пропадане** е, когато продуктът падне надолу след среза. Вследствие на това е възможно веригата да докосне някоя част на тялото или друг предмет и да причини нараняване или повреди.
- **Откат** е, когато краят на водещата шина се допре до предмети и се движи назад, нагоре или внезапно напред. Откат може да възникне и когато дървесината се затвори по време на рязане, приклевчвайки веригата на за моторен трион. Има възможност от загуба на контрол над продукта при контакт с предмет в дървесината. (Фиг. 32)

- **Въртелив откат** може да възникне, когато движещата се верига се допре до предмет в горния край на водещата шина. В този случай веригата може да се забие в предмета и веднага да спре. В резултат се получава светкавична обратна реакция, която отхвърля водещата шина нагоре и назад по посока на оператора. (Фиг. 33)

- **Откат при прищипване** може да възникне при внезапно спиране на веригата за моторен трион по време на рязане. Дървесината се затваря и прищипва движещата се верига за моторен трион по горната част на водещата шина. При внезапно спиране се получава противоположно въздействие върху силата на веригата, поради което продуктът се задвижва в обратна посока спрямо въртенето на веригата. Продуктът се връща назад към оператора. (Фиг. 34)

- **Придръпване** може да възникне, когато движещата се верига за моторен трион в долната част на водещата шина се допре до чуждо тяло и трионът спре внезапно. При внезапното спиране продукта се отдалечава от оператора в посока напред и надолу, което лесно може да доведе до загуба на контрол на продукта от страна на оператора. (Фиг. 35)

Преди работа с продукта се уверете, че сте добре запознати с различните сили и начините за предотвратяване на появата им. Вижте *Предотвратяване на откат, приплъзване, подскачане и пропадане на страница 327.*

Предотвратяване на откат, приплъзване, подскачане и пропадане

- Докато двигателят работи, дръжте продукта здраво. Дръжте дясната си ръка върху задната ръкохватка, а лявата – на предната дръжка. Палците и останалите пръсти трябва здраво да обхващат дръжките. Не отслабвайте захвата.

- Контролирайте продукта както по време на среза, така и след като дървеният материал падне на земята. Не оставяйте тежестта на продукта да го притегли надолу след среза.
- Уверете се, че в зоната за рязане няма препятствия. При работа с продукта не позволявайте върхът на водещата шина да бъде в контакт с дънери, клони или други препятствия. (Фиг. 36)
- Режете при високи обороти на двигателя.
- Не се пресягайте прекомерно и не режете над височината на раменния пояс. (Фиг. 37)
- Спазвайте инструкциите на производителя за заточване и техническо обслужване на веригата за моторен трион.
- Използвайте само посочените от производителя резервни вериги за моторен трион и водещи шини.
- Рискът за откат нараства, ако мащабът на дълбочината се увеличи прекомерно.

Лични предпазни средства

- Винаги използвайте правилните лични предпазни средства, когато работите с продукта. Личните предпазни средства намаляват степента на нараняване при възникването на инцидент, но не го предотвратяват.
- Не носете широки дрехи, които могат да се закачат на веригата за моторен трион.
- Използвайте одобрена защитна каска.
- Винаги използвайте одобрени антифони, когато работите с продукта. Продължителният шум може да доведе до загуба на слуха.
- Използвайте защитни очила или лицева маска, за да намалите опасността от нараняване от хвърлящи предмети. Този продукт може да придава силно движение на предмети от рода на малки парчета дървесина и стърготини. Това може да доведе до сериозно нараняване, включително на очите.
- Използвайте ръкавици за защита от верижен трион.
- Използвайте панталони за защита от верижен трион.
- Използвайте ботуши с метални бомбета и противохлъзгащи подметки за защита от верижен трион.
- Уверете се, че близо до Вас има комплект за първа помощ.
- От ауспуха, шината, веригата за моторен трион или други източници може да изскочат искри. Винаги дръжте наблизо пожарогасително оборудване и лопата за предотвратяване на горски пожари.

Устройства за безопасност на продукта

- Не използвайте продукт с повредени предпазни средства. Ако продуктът е повреден, консултирайте се с одобрен сервизен център.

Проверка на превключвателя за спиране

1. Включете двигателя. Вижте *#unique_1427/unique_1427_Connect_42_*.
2. Уверете се, че двигателят спира, когато преместите превключвателя за спиране в позиция "изключване".

Проверка на блокировката на регулатора на газта

1. Уверете се, че регулаторът за газта (B) е заключен на празен ход, когато освободите блокировката на регулатора за газта (A) (Фиг. 38).
2. Натиснете блокировката на регулатора за газта (A) и се уверете, че се връща в първоначална позиция, когато я освободите.
3. Натиснете регулатора за газта (B) и се уверете, че се връща в първоначална позиция, когато го освободите.
4. Запалете двигателя и подайте пълна газ.
5. Освободете регулатора за газта и проверете дали веригата за моторен трион спира.
6. Ако веригата за моторен трион се завърти, докато газта е в позиция на празен ход, проверете регулиращия винт на скоростта на празен ход на карбуратора.

Предпазител

Предпазителят предотвратява изхвърлянето на предмети по посока на оператора. Предпазителят предотвратява и от неволно докосване между оператора и веригата за моторния трион.

- Уверете се, че предпазителят е разрешен за употреба с този продукт.
- Не използвайте продукта без предпазителя.
- Уверете се, че предпазителят не е повреден. Заменете предпазителя, ако е износен или напукан.

Безопасност при работа с гориво

- Не включвайте продукта, ако върху него има гориво или моторно масло. Отстранете нежеланото гориво/масло и оставете продукта да изсъхне. Отстранете нежеланото гориво от продукта.
- Ако разлеете гориво по дрехите си, сменете ги незабавно.
- Внимавайте да не попадне гориво върху тялото Ви, това може да доведе до телесни увреждания. Ако гориво попадне върху тялото Ви, използвайте сапун и вода, за да го отстраните.
- Не стартирайте двигателя, ако разлеете масло или гориво върху продукта или тялото си.
- Не стартирайте продукта, ако от двигателя има теч. Проверявайте редовно двигателя за течове.

- Внимавайте с горивото. Горивото е запалимо, изпаренията са взривоопасни и могат да причинят телесни увреждания или смърт.
- Не вдишвайте горивните изпарения, това може да доведе до телесни увреждания. Уверете се, че има достатъчен въздушен поток.
- Не пушете близо до горивото или двигателя.
- Не поставяйте топли предмети близо до горивото или двигателя.
- Не добавяйте гориво, когато двигателят работи.
- Уверете се, че двигателят е изстинал преди зареждане с гориво.
- Преди зареждане с гориво отворете бавно капачката на резервоара за гориво и освободете внимателно налягането.
- Не добавяйте гориво към двигателя на закрито. Недостатъчният въздушен поток може да доведе до нараняване или смърт поради задушаване или въглероден окис.
- Затегнете внимателно капачката на резервоара за гориво или може да възникне пожар.
- Преди да включите двигателя, преместете продукта на най-малко 3 m (10 ft) от мястото, където сте заредили резервоара.
- Не препълвайте резервоара за гориво.
- Уверете се, че няма течове, когато местите продукта или резервоара за гориво.
- Не поставяйте продукта или резервоара за гориво на място, където има открит огън, искри или постоянна малка горелка. Уверете се, че в зоната за съхранение няма открит огън.
- При преместване или съхранение на гориво използвайте само одобрени за целта контейнери.
- Изпразнете резервоара за гориво преди дългосрочно съхранение. Спазвайте местните закони за това къде да изхвърляте горивото.
- Почистете продукта преди дългосрочно съхранение.
- Отстранете проводника на запалителната свещ, преди да оставите продукта за съхранение, за да се уверите, че двигателят няма случайно да се включи.
- Ремонтите трябва да се извършват само от одобрен дистрибутор, това не включва задачите в **ТЕХНИЧЕСКО ОБСЛУЖВАНЕ** на страница 333.
- Уверете се, че когато отпуснете регулатора на газта, веригата за моторен трион спира да се движи.
- Поддържайте дръжките сухи, чисти и незацапани от масло или горивна смес.
- Грижете се за капачките и фиксаторите да са затегнати както трябва.
- Използването на неодобрени резервни части и отстраняването на приспособленията за безопасност е възможно да доведе до повреда на продукта. Възможно е също да възникне нараняване на оператора или странични лица. Използвайте принадлежности и резервни части само според препоръките. Не нанасяйте промени по продукта.
- За безопасна и висока производителност поддържайте веригата за моторен трион добре заточена и чиста.
- Следвайте инструкциите за смазване и смяна на принадлежностите.
- Проверете продукта за повредени части. Преди повторно използване на продукта уверете се, че повреденият предпазител или друга част работят нормално. Проверете за счупени или неправилно прилягащи части, както и за части, които не се движат свободно. Проверете и за други проблеми, които може да се отразят на работата с продукта. Уверете се, че продуктът е правилно монтиран. Предпазителят или друга повредена част трябва да бъдат поправени или сменени от одобрен дистрибутор, освен ако не е указано друго в инструкцията за експлоатация.
- Когато продуктът не е в употреба, съхранявайте го на сухо място, нависоко или под ключ, далече от деца.
- При пренасяне или складиране на продукта поставете капак на водещата шина или калъф за пренасяне.
- Не използвайте отработено масло. Отработеното масло може да е опасно за здравето Ви, да повреди продукта и да навреди на околната среда.

Инструкции за безопасност при техническо обслужване

- Разкачете запалителната свещ преди техническото обслужване на продукта – това не важи за настройки на карбуратора.

МОНТАЖ



ПРЕДУПРЕЖДЕНИЕ: Прочетете и разберете главата с инструкции за безопасност, преди да монтирате продукта.

Монтиране на водещата шина и веригата за моторен трион

1. Отстранете лулата на запалителната свещ от самата запалителна свещ, за да предотвратите

неволно включване на двигателя по време на монтажа. (Фиг. 39) (Фиг. 40)

2. Свалете гайките на шината и капака на съединителя. Отстранете водача за транспортиране (А). (Фиг. 41)
3. Поставете водещата шина над болтовете на шината. Придвийте водещата шина до най-задната ѝ позиция.
4. Сложете си защитни ръкавици за верижен трион.
5. Повдигнете веригата за моторен трион над задвижващия венец и я закачете към жлеба на направляващата шина. Започнете от горния край на водещата шина. (Фиг. 42)
6. Уверете се, че ръбовете на режещите звена по горния край на направляващата шина сочат напред.
7. Монтирайте капака на съединителя и придвийте регулиращата ос на веригата върху отвора на направляващата шина.
8. Уверете се, че кулисните предавки на веригата за моторен трион пасват правилно на

задвижващия венец. Проверете също дали веригата за моторен трион е правилно поставена в жлеба на водещата шина.

9. Затегнете гайките на направляващата шина с пръсти.
10. Затегнете веригата за моторен трион чрез завъртане на винта за натягане на веригата по часовниковата стрелка с помощта на комбинирания гаечен ключ. Затегнете, докато веригата за моторен трион спре да виси под водещата шина, но все още лесно се придвижва с ръка. (Фиг. 43) и (Фиг. 44)
11. Хванете върха на шината и затегнете гайките на шината с комбинирания гаечен ключ. (Фиг. 45)
 - След като монтирате нова верига за моторен трион и докато я използвате, проверявайте често натягането на веригата.
 - Редовно проверявайте натягането на веригата. Правилното натягане на веригата води до добра ефективност на рязане и дълъг живот на продукта.

РАБОТА



ПРЕДУПРЕЖДЕНИЕ: Прочетете и разберете раздела с инструкции за безопасност преди работа с продукта.

Използване на гориво



ВНИМАНИЕ: Този продукт разполага с двутактов двигател. Използвайте смес от бензин и моторно масло за двутактови двигатели. Не забравяйте да използвате правилното количество от масло в сместа. Грешното съотношение между бензин и масло може да доведе до повреда на двигателя.



ВНИМАНИЕ: Не използвайте бензин с повече от 10% концентрация на етанол (E10). Това може да повреди продукта.



ВНИМАНИЕ: Не използвайте бензин с октаново число по-малко от 90 RON (87 AKI). Това може да повреди продукта.

Съотношение на горивната смес

Съотношението между бензина и масло за двутактови двигатели в горивната смес е 50:1 (2%)

Бензин	Масло за двутактови двигатели
1 американски галон	77 ml (2,6 oz)
1 имперски галон	95 ml (3,2 oz)
5 l	100 ml (3,4 oz)

Приготвяне на горивната смес

1. Определете правилните количества бензин и моторно масло (съотношение в сместа 50:1). Не правете повече от 30-дневно количество от

Забележка: Използвайте бензин с по-високо октаново число, ако често използвате продукта при постоянно високи обороти на двигателя.

3. Добавете цялото количество масло за двутактови двигатели в резервоара за гориво.



ВНИМАНИЕ: Винаги използвайте висококачествено масло за двутактови двигатели с въздушно охлаждане. Използването на други видове масло може да повреди продукта.

4. Разклатете горивната смес, за да смесите съдържанието.
5. Добавете останалото количество бензин в резервоара за гориво.

- Разклатете горивната смес, за да смесите съдържанието.
- Напълнете резервоара на продукта с горивната смес. Вижте *Съотношение на горивната смес на страница 330*.

Пълнене на резервоара за гориво

- Уверете се, че горивната смес е правилно приготвена, както и че се намира в резервоар за гориво с клапан против разливане.
- Ако върху резервоара е попаднало гориво, почистете нежеланото гориво и оставете резервоара да изсъхне.
- Уверете се, че зоната близо до капачката на резервоара за гориво е чиста.
- Отстранете капачката на резервоара за гориво. (Фиг. 46)
- Разклатете резервоара за гориво, преди да добавите горивната смес към резервоара за гориво.
- Поставете отново капачката на резервоара за гориво.

Смазване на веригата за моторен трион

Продуктът разполага с автоматична смазочна система. Винаги използвайте само правилното верижно масло и спазвайте инструкциите.

- Използвайте растително или стандартно верижно масло.
- Уверете се, че зоната близо до капачката на резервоара за верижно масло е чиста.
- Отстранете капачката на резервоара за верижно масло.
- Напълнете резервоара за верижно масло с препоръчаното верижно масло.
- Поставете отново капачката на резервоара за верижно масло.

Преди включване на двигателя

- Проверете продукта за липсващи, повредени, разхлабени или износени части.
- Проверете гайките, винтовете и болтовете.
- Проверете въздушния филтър.
- Проверете блокировката на спусъка на газта и самият спусък за правилна работа.
- Проверете превключвателя за спиране за правилна работа.
- Проверете продукта за теч на гориво.
- Проверете остротата и натягането на веригата за моторен триона.

Включване при студен двигател

- Придвигнете аварийния лост напред, за да задействате верижната спирачка. (Фиг. 47)
- Издърпайте смукача навън и нагоре.

- Натиснете подкачващата помпа 6 пъти. (Фиг. 48)
- Дръжте корпуса на продукта на земята с лявата си ръка. Не стъпвайте върху продукта. Издърпайте бавно дръжката на въжето на стартера, докато усетите известно съпротивление. След това издърпайте въжето за стартиране със сила. (Фиг. 49)

Забележка: Не дърпайте регулатора за газта, докато стартирате двигателя.

- Продължете да дърпате дръжката на въжето за стартиране, докато двигателя стартира или направи опит за стартиране (макс. 3 издърпания). При включване или опит на двигателя да се включи, натиснете смукача надолу. (Фиг. 50)



ВНИМАНИЕ: Не дърпайте въжето за стартиране, докато не спре. Не пускайте въжето за стартиране, когато е разтегнато докрай. Освободете бавно въжето на стартера. Неспазването на тези инструкции може да причини повреда на двигателя.

- Продължете да дърпате, докато двигателят запали. Изчакайте 60 секунди след стартиране, преди да издърпате регулатора за газта.
- Дръпнете аварийния лост назад към предната дръжка, за да изключите верижната спирачка.
- Хванете задната ръкохватка с дясната ръка, а предната дръжка – с лявата ръка.
- Използване на продукта.

Включване при топъл двигател

- Придвигнете аварийния лост напред, за да задействате верижната спирачка. (Фиг. 51)
- Издърпайте смукача навън и нагоре.
- Натиснете подкачващата помпа 6 пъти. (Фиг. 52)
- Натиснете смукача надолу. (Фиг. 53)
- Дръжте корпуса на продукта на земята с лявата си ръка. Не стъпвайте върху продукта. Издърпайте бавно дръжката на въжето на стартера, докато усетите известно съпротивление. Тогава усилете дърпането на въжето на стартера. (Фиг. 54)



ВНИМАНИЕ: Не дърпайте въжето на стартера, докато не спре. Не пускайте въжето на стартера, когато е в напълно изтеглено положение. Освободете бавно въжето на стартера. Спазвайте тези инструкции, за да предотвратите повреда на двигателя.

Забележка: Не дърпайте регулатора за газта, докато стартирате двигателя.

- Продължете да дърпате дръжката на въжето за стартиране, докато двигателя стартира или направи опит за стартиране (макс. 3 издърпвания). Изчакайте 60 секунди след стартиране, преди да издърпате регулатора за газта.
- Дръпнете аварийния лост назад, т.е. в посока към предната дръжка, за да изключите верижната спирачка.
- Хванете задната ръкохватка с дясната ръка, а предната дръжка – с лявата ръка.
- Използване на продукта.

Включване на двигателя при прекомерно загрято гориво

Когато продуктът не се включва, е възможно горивото да е твърде загрято.

Забележка: Винаги използвайте неупотребявано гориво, а при топло време намалете продължителността на работа.

- Поставете продукта на хладно място, далече от пряка слънчева светлина.
- Оставете продукта за поне 20 минути, за да се охлади.
- Натиснете подкачващата помпа няколко пъти в продължение на 10 – 15 секунди.
- Следвайте процедурата за включване при студен двигател. Вижте *Включване при студен двигател на страница 331*.

Спиране на работа

- Натиснете превключвателя за спиране, за да спрете двигателя.

Забележка: Превключвателят за спиране автоматично се връща в първоначалното положение.

Използване на буферен шип

Буферният шип предпазва от откат и придържа продукта към дървото по време на рязане. Буферният шип е опорна точка, разположена между тялото на двигателя и водещата шина.

- Нагласете долния край на буферния шип на правилната широчина на пантата на среза.
- Натиснете предната дръжка с лявата ръка, повдигайки същевременно задната ръкохватка с дясната ръка.
- Режете, докато се получи правилната широчина на пантата на среза.

Забележка: Двете страни на пантата трябва да са еднакво дълбоки.

- Режете повече от половината на диаметъра и след това поставете клина за поваляне.

Поваляне на дърво

- Отстранете мръсотия, камъни, отделена кора, гвоздеи, скоби и проводници от дървото.
- Прорежете около 1/3 от диаметъра на дървото, перпендикулярно на посоката на поваляне. (Фиг. 55)
- Направете долния хоризонтален срез. Това помага да не се приклепват веригата на моторен трион или водещата шина по време на втория срез.
- Направете обратния повалящ срез (X) поне 50 mm (2 in) по-високо от хоризонталния срез. Обратният повалящ срез трябва да се извърши паралелно на хоризонталния срез, така че да остане достатъчна част от дървото за пантата. Не прорязвайте през пантата. Функцията на пантата е да предотврати завъртането и падането на дървото в неправилна посока. (Фиг. 56) и (Фиг. 57)
- Когато обратният повалящ срез достигне близо до пантата, дървото започва да пада. Уверете се, че дървото може да падне в правилната посока и че няма да се заклати в обратна посока и да приклепчи веригата за моторен трион. За да предотвратите това, спрете преди напълно да завършите обратния повалящ срез. Използвайте дървени, пластмасови или алуминиеви клинове за разширяване на среза и поваляне на дървото в предвидената посока. (Фиг. 58)
- Когато дървото започне да пада, извадете продукта от среза. Спрете двигателя, оставете продукта на земята и се отдалечете по планирания път за отдръпване. Пазете се от падащи клини и внимавайте да не загубите равновесие. (Фиг. 59)

Кастрене на клони

- Оставете по-големите клони, за да поддържат дървото над земята.
- Малките клони се отстраняват с един срез. (Фиг. 60)
- Режете от долу нагоре клоните, които са под напрежение, за да избегнете приклепване на веригата на триона или водещата шина.

Разтрупване на дървото



ВНИМАНИЕ: Не позволявайте на веригата за моторен трион да докосва земята.

- Ако дървото се поддържа над земята чрез опорни точки по цялата му дължина, започнете да режете от горната част надолу (т.нар. надразтрупване). (Фиг. 61)
- При опорна точка само в единия край на дървото, прорезете 1/3 от диаметъра на дървото, започвайки от долната част нагоре (т.нар. подразтрупване).
- При опорни точки в двата края на дървото, прорезете 1/3 от диаметъра, започвайки от горната част надолу. Завършете среза, като прорезете останалите 2/3 от дървото от долната част нагоре, докато достигнете първоначалния срез. (Фиг. 62)
- Когато разтрупвате на склон, винаги стойте в горната част на терена над дървото. Режете дървото, докато поддържате пълен контрол върху продукта. Към края на среза освободете режещото налягане, държейки здраво задната ръкохватка и предната дръжка. (Фиг. 63)

ТЕХНИЧЕСКО ОБСЛУЖВАНЕ



ПРЕДУПРЕЖДЕНИЕ: Прочетете и разберете раздела с инструкции за безопасност преди почистване, ремонтване или техническо обслужване на продукта.

График за техническо обслужване

Уверете се, че спазвате графика за техническо обслужване. Интервалите са изчислени в зависимост от ежедневната употреба на продукта. Интервалите са различни, ако не използвате продукта всеки ден. Извършвайте само дейностите по техническо обслужване, описани в това ръководство за експлоатация. Говорете с одобрен сервизен център относно други дейности по техническо обслужване, които не са описани в това ръководство.

Всекидневно обслужване

- Почистете външните повърхности.
 - Уверете се, че спусъкът на газта и блокировката му работят нормално.
 - Почистете верижната спирачка и проверете, че работи правилно.
 - Проверете уловителя на веригата за повреда. Сменете уловителя на веригата, ако е повреден.
 - Въртете водещата шина всеки ден, така че да се износва по-равномерно.
 - Уверете се, че отворът за смазване във водещата шина не е задръстен.
 - Отстранете праха от триони и други нежелани предмети от долу на капака на венеца.
 - Почистете жлеба на водещата шина. (Фиг. 64)
 - Уверете се, че водещата шина и веригата за моторен трион са достатъчно добре смазани.
 - Проверете веригата за моторен трион за:
 - пукнатини в нитовите и звената.
 - неравномерно износени нитове и звена.
 - правилно натягане.
 - разкъсване на верижните кулисни предавки.
- Подменете веригата за моторен трион, ако е необходимо.

- Заточете веригата за моторен трион. Вижте *Заточване на веригата за моторен трион на страница 334.*
- Проверете дали задвижващият венец не е твърде износен и го подменете, ако е необходимо. (Фиг. 65)
- Почистете смукателния въздухопровод на капака на двигателя.
- Уверете се, че всички гайки и винтове са затегнати.
- Уверете се, че прекъсвачът работи нормално.

Седмично техническо обслужване

- Уверете се, че системата за охлаждане работи нормално.
- Уверете се, че стартерът, шнурът му и възвратната пружина работят правилно.
- Уверете се, че антивибрационните елементи не са повредени. (Фиг. 66)
- Изпилете всички неравности по ръбовете на водещата шина.
- Почистете или сменете искрогасителния екран на ауслуха. (Фиг. 67)
- Почистете външните повърхности на карбуратора и зоните около него.
- Почистете въздушния филтър. Ако е повреден или прекалено мръсен, поставете нов въздушен филтър. Вижте *Почистване на въздушния филтър на страница 334* за допълнителна информация.

Месечно техническо обслужване

- Проверете за износване на спирачната лента на верижната спирачка. Сменете спирачната лента, когато дебелината ѝ в най-износената точка е по-малка от 0,6 mm (0,024 in). (Фиг. 68)
- Проверете за износване центъра на съединителя, барабана и пружината му.

- Почистете запалителната свещ. Уверете се, че разстоянието между електродите е правилно.

(Фиг. 69)

- Почистете външните повърхности на карбуратора и зоните около него.
- Проверете горивния филтър и маркуча за гориво. При необходимост подменете.
- Изпразнете резервоара за гориво.
- Изпразнете резервоара за масло.
- Проверете всички кабели и връзки.

Ежегодно обслужване

- Проверете запалителната свещ.
- Почистете външните повърхности на карбуратора и зоните около него.
- Почистете системата за охлаждане.
- Проверете искрогасителната мрежа.
- Проверете горивния филтър.
- Проверете маркуча за горивото за повреда.
- Проверете всички кабели и връзки.

Периодично обслужване

- Ремонтът или смяната на ауспуха след 50 часа работа трябва да се извършат от одобрен сервизен център.
- Техническо обслужване на запалителната свещ е необходимо, когато:
 - двигателят работи с понижена мощност.
 - двигателят се включва трудно.
 - двигателят не работи правилно на обороти на празния ход.
- Проверявайте смазването на веригата на триона при всяко зареждане с гориво. Вижте [#unique_1457/unique_1457_Connect_42_](#).

Регулиране на оборотите на празния ход

Уверете се, че въздушният филтър е чист и капакът на въздушния филтър е закрепен, преди да регулирате оборотите на празния ход.

1. Завъртете регулиращия винт, означен със знака "Т", по часовниковата стрелка, докато веригата на триона започне да се върти.
2. Завъртете регулиращия винт, означен със знака "Т", обратно на часовниковата стрелка, докато веригата на триона спре да се върти.
3. Оборотите на празния ход трябва да бъдат пониски от оборотите, при които веригата на триона започва да се върти. Оборотите на празния ход са правилни, когато двигателят работи плавно във всяко положение.

За да направите техническо обслужване на искрогасителния екран

- Използвайте телена четка за почистване на искрогасителния екран. (Фиг. 70)

Техническо обслужване на запалителната свещ



ВНИМАНИЕ: Използвайте препоръчаната запалителна свещ. Уверете се, че резервната част е същата като предоставената от производителя. Използването на запалителна свещ от неправилен тип може да повреди продукта.

1. Ако не можете лесно да включите или да работите с продукта, проверете запалителната свещ за нежелани материали. За да намалите опасността от нежелани материали върху електродите на запалителната свещ:
 - a) уверете се, че оборотите на празния ход са правилно регулирани.
 - b) уверете се, че горивната смес е правилна.
 - c) уверете се, че въздушният филтър е чист.
2. Почистете запалителната свещ, ако е замърсена. Уверете се, че разстоянието между електродите е правилно. (Фиг. 71)
3. Подменете запалителната свещ, когато е необходимо.

Почистване на въздушния филтър

1. Свалете капака на въздушния филтър и самия въздушен филтър. (Фиг. 72)
2. Почистете въздушния филтър с топла сапунена вода. Уверете се, че въздушният филтър е сух, преди да го монтирате.
3. Сменете въздушния филтър, ако е прекалено замърсен за пълно почистване. Винаги заменяйте повреден въздушен филтър.

Заточване на веригата за моторен трион

Резец

Режещата част на веригата за моторен трион се нарича резец и се състои от режещ зъб (А) и мащаб на дълбочина (В). Дълбочината на рязане на резците се определя от разликата във височината между двете, настройката за мащаб на дълбочина (С).

(Фиг. 73)

Когато заточвате даден режещ зъб, трябва да имате предвид четири важни фактора:

- Ъгъл на заточване.

(Фиг. 74)

- Ъгъл на рязане.

(Фиг. 75)

- Положение на пилата.

(Фиг. 76)

- Диаметър на кръглата пила.

(Фиг. 77)

Заточване на режещите зъби

За заточване на режещите зъби използвайте кръгла пила и шаблон за чапразене. Вижте *Заточване и комбинации от вериги за моторен трион на страница 338* за информация относно препоръчителните размерите на пилата и шаблона за веригата за моторен трион, монтиран на продукта Ви. (Фиг. 78)

1. Уверете се, че веригата за моторен триона е правилно натегната. Когато веригата не е правилно натегната, тя се измества настрани и не може да бъде правилно заточена.
2. Използвайте пилата върху всички зъби от едната страна. След това използвайте пилата върху режещите зъби от вътрешната страна и пилете по-слабо, като връщате пилата в обратна посока.
3. Обърнете продукта от другата страна и използвайте пилата върху зъбите.
4. Пилете така, че всички зъби да бъдат с еднаква дължина. Сменете износената верига за моторен трион, когато дължината на режещите зъби се намали до 4 mm (5/32 in).

Регулиране на настройката за мащаб на дълбочината

Заточете режещите зъби, преди да регулирате настройката за мащаб на дълбочина. Вижте *Заточване на режещите зъби на страница 335*. Когато заточвате режещия зъб (А), настройката за мащаб на дълбочина (С) намалява. За да поддържате оптимална ефективност на рязане, мащабът на дълбочина (В) трябва да се изпили до препоръчаната настройка за мащаб на дълбочината. Вижте *Заточване и комбинации от вериги за моторен трион на страница 338*, за да откриете правилната настройка за мащаб на дълбочина за Вашата верига.

(Фиг. 79)

(Фиг. 80)

Забележка: Тази препоръка предполага, че дължината на режещите зъби не е прекалено намалена. </el "Listitem"></fc>

Използвайте плоска пила и инструмент за измерване на дълбочина, за да настроите мащаба на дълбочината.

1. Поставете инструмента за измерване на дълбочината над веригата за моторен трион. Подробна информация за начина на използване на инструмента за измерване на дълбочина може да се намери върху опаковката му.
2. Използвайте плоската пила, за да изпилите върха на мащаба на дълбочина, стърчащ през инструмента за измерване на дълбочина. Настройката на мащаба на дълбочината е правилна, когато вече не усещате съпротивление докато прекарвате пилата върху инструмента за измерване на дълбочина.

Натягане на веригата за моторен трион

Забележка: Проверявайте често натягането на нова верига за моторен трион по време на периода на разработване.

1. Разхлабете гайките на водещата шина, които държат капака на венеца. Използвайте комбинирания гаечен ключ. (Фиг. 81)
2. Затегнете гайките с ръка, колкото можете по-силно.
3. Повдигнете върха на водещата шина и обтегнете веригата за моторен трион чрез винта за натягане на веригата. Използвайте комбинирания гаечен ключ. Затегнете веригата на моторния трион, докато спре да виси от долната страна на водещата шина. (Фиг. 82)
4. Затегнете гайките на водещата шина с помощта на комбинирания гаечен ключ и същевременно повдигнете върха на водещата шина. (Фиг. 83)
5. Уверете се, че веригата за моторен трион лесно се издърпва с ръка и че не провисва. (Фиг. 84)

Смазване на режещото оборудване

Проверка на смазването на веригата

Проверявайте смазването на верижния трион при всяко зареждане с гориво.

1. Включете продукта и го оставете да работи на 3/4 от скоростта. Насочете върха на водещата шина към светло оцветена повърхност, намираща се на около 20 cm (8 in).
2. След работа в продължение на 1 минута върху светлата повърхност се появява линия от масло.
3. Ако тази линия не се появи след изтичането на 1 минута, почистете канала на маслото във водещата шина. Почистете жлеба в края на водещата шина. Уверете се, че звездчката на водещата шина се върти свободно и че смазочното отворстие не е задръстено. Почистете и смажете звездчката.
4. Включете продукта и го оставете да работи на 3/4 от скоростта. Насочете върха на шината към

- светло оцветена повърхност, намираща се на около 20 cm (8 in).
5. След работа в продължение на 1 минута върху светлата повърхност се появява линия от масло.

6. Ако тази линия не се появи след изтичането на 1 минута, свържете се с Вашия одобрен дистрибутор.

ТРАНСПОРТИРАНЕ

- Изпразнете резервоарите за гориво и верижно масло преди транспортиране. Изхвърлете отработените течности по правилния начин.
- При транспортиране поставете капака на водещата шина върху режещото оборудване. Това предотвратява случайното докосване на лицата до острата верига за моторен триона. Дори и когато трионът не работи, острата верига

- за моторен трион може да нарани Вас или други лица при докосване.
- Свалете лулата на запалителната свещ от свещта и включете верижната спирачка преди транспортиране.
 - Уверете се, че по време на транспортиране продуктът ще бъде неподвижен.

СЪХРАНЕНИЕ

- Винаги съхранявайте продукта на сигурно място, когато не го използвате. Течове или изпарения от продукта могат да влязат в контакт с искри, открит огън от електрическо оборудване, електрически косачки, релета/превключватели, бойлери и др.
- Винаги съхранявайте горивото в одобрен за целта резервоар.
- Изпразнете резервоарите за гориво и верижно масло, когато продуктът ще бъде складиран за по-дълъг период от време. Изхвърлете отработените течности по правилния начин.

- При съхранение поставете капака на водещата шина върху нея. Това предотвратява случайното докосване на трети лица до острата верига за моторен трион. Дори и когато трионът не работи, острата верига за моторен трион може сериозно да нарани Вас или други лица при докосване.
- Свалете лулата на запалителната свещ от свещта и включете верижната спирачка преди съхранение.

ТЕХНИЧЕСКИ ХАРАКТЕРИСТИКИ

	единица	130 (H13038HV)	135 Mark II (H13038HV)
Спецификации на двигателя			
Обем на цилиндъра	cm ³	38	38
Запалителна свещ	–	NGK BPMR 7A	NGK BPMR 7A
Разстояние между електродите	mm (in)	0,5 (0,02)	0,5 (0,02)
Обем на резервоара за гориво	cm ³	350	350
Обороти на празен ход	min ⁻¹	2800 – 3200	2800–3200
Изходна мощност при 9000 min ⁻¹	kW	1,5	1,6
Период на продължителност на емисиите	h	125	125
Данни за шум и вибрации			
Еквивалентно ниво на вибрациите (ahv, eq), лява дръжка ¹¹¹	m/s ²	3,72	3,72

¹¹¹ Еквивалентното ниво на вибрациите се измерва като времемъобразена сума на енергията на нивата на вибрациите при различни условия на работа. Отчетените данни за еквивалентното ниво на вибрациите имат типична статистическа дисперсия (стандартно отклонение) от 1,5 m/s².

	единица	130 (H13038HV)	135 Mark II (H13038HV)
Еквивалентно ниво на вибрациите (ahv, eq), дясна дръжка ¹¹²	m/s ²	5,5	5,5
Ниво на звуковата мощност, гарантирано (L _{WA}) ¹¹³	dB(A)	116	116
Ниво на звуковата мощност, измерено ¹¹⁴	dB(A)	114	114
Ниво на звуковото налягане при ухото на оператора ¹¹⁵	dB(A)	102	102
Размери на продукта			
Тегло (без режещо оборудване)	kg	4,68 (10,3)	4,68 (10,3)
Обем на резервоара за масло	cm ³	260	260
Горивна и смазочна система			
Вместимост на маслената помпа при 9000 min ⁻¹	ml/min	9	9
Тип на маслената помпа	–	Автоматична	Автоматична
Верига за моторен трион и водеща шина			
Стандартна дължина на водещата шина	cm (in)	35-40 (14-16)	35-40 (14-16)
Препоръчителна дължина на водещата шина	cm (in)	35-40 (14-16)	35 – 40 (14 – 16)
Полезна дължина на рязане	cm (in)	33-38 (13-15)	33 – 38 (13 – 15)
Максимални обороти на веригата за моторен триона	m/s	22,3	22,3
Верижна стъпка на триона	mm (in)	9,52 (3/8)	9,52 (3/8)
Дебелина на кулисите предавки (калибровка)	mm (in)	1,3 (0,050)	1,3 (0,050)
Тип на задвижващия венец	–	Заварен	Заварен
Брой на зъбците на задвижващия венец	–	6	6

¹¹² Еквивалентното ниво на вибрациите се измерва като времесьобразена сума на енергията на нивата на вибрациите при различни условия на работа. Отчетените данни за еквивалентното ниво на вибрациите имат типична статистическа дисперсия (стандартно отклонение) от 1,5 m/s².

¹¹³ Шумови емисии в околната среда, измерени като звукова мощност (L_{WA}).

¹¹⁴ Шумови емисии в околната среда, измерени като звукова мощност (L_{WA}).

¹¹⁵ Еквивалентното ниво на звуковото налягане се измерва като времесьобразена сума на енергията на различни нива на звуковото налягане при различни условия на работа. Типичната статистическа дисперсия за еквивалентно ниво на звуковото налягане е със стандартно отклонение от 2,5 dB(A).

ПРИНАДЛЕЖНОСТИ

Комбинации от водещи шини и вериги за моторен трион

Водеща шина				Верига за моторен трион	
Дължина	Стъпка	Калибровка	Макс. радиус на върха	Тип	Брой на куписните предавки
14 in	3/8 in	0,050 in	7T	Husqvarna H37	52
16 in				Husqvarna S93G	56

Заточване и комбинации от вериги за моторен трион

Тип на веригата	Размер на кръглата пила	Ъгъл на страничната пластина	Ъгъл на горната пластина	Ъгъл на пилодържателя	Настройка на мащаба на дълбочината	Мащаб на дълбочината, част №	Шаблон за заточване, част №
H37, S93G	5/32 in 4,0 mm	80°	30°	0°	0,025/0,65	5056981-03	5052437-01

СЪДЪРЖАНИЕ НА ДЕКЛАРАЦИЯТА ЗА СЪОТВЕТСТВИЕ НА ЕС

Ние, Husqvarna AB, SE 561 82 Huskvarna, ШВЕЦИЯ, декларираме на своя собствена отговорност, че представеният продукт:

Описание	Бензинов верижен трион
Марка	Husqvarna
Платформа/вид/модел	Платформа H13038HV, представяща модел 130, 135 Mark II
Партида	Сериен номер, датиращ от 2018 г. и след това

отговаря напълно на следните директиви и регламенти на ЕС:

Директива/регламент	Описание
2006/42/ЕО	"относно машините"

Директива/регламент	Описание
2014/30/ЕС	"относно електромагнитната съвместимост"
2000/14/ЕО	"относно шума на открито"
2011/65/ЕС	"ограничения за използване на определени опасни вещества"

Приложените хармонизирани стандарти и/или технически спецификации са следните: EN ISO 12100, EN ISO 11681-1, CISPR 12, ISO 14982

В съответствие с Директива 2000/14/ЕО, приложение V, декларираните звукови стойности са посочени в раздела за технически характеристики на това

ръководство и в подписаната Декларация за съответствие на ЕС.

TÜV Rheinland LGA Products GmbH, нотифициран орган за машинно оборудване (нотифициран под номер 0197), Tillystraße 2 – 90431 Nürnberg, Германия, е извършила ЕО типово изследване в съответствие с 2006/42/ЕО, член 12, точка 3b.

Сертификатът за типово изследване съгласно приложение IX, както е предвиден в подписаната Декларация за съответствие, се прилага за всички места на производство и държави на произход, както е посочено на продукта.

Доставеният верижен трион съответства на екземпляра, преминал през ЕО типово изследване.

CUPRINS

INTRODUCERE.....	340	TRANSPORTUL.....	351
SIGURANȚĂ.....	341	DEPOZITAREA.....	351
ASAMBLAREA.....	345	DATE TEHNICE.....	351
FUNCȚIONAREA.....	346	ACCESORII.....	353
ÎNȚREȚINEREA.....	348	CONȚINUTUL DECLARAȚIEI DE CONFORMITATE CE.....	353

INTRODUCERE

Manualul operatorului

Limba originală a acestui manual al operatorului este engleză. Manualele operatorului în alte limbi reprezintă traduceri din limba engleză.

Prezentare generală

(Fig. 1)

1. Capacul cilindrului
2. Pompă de amorsare
3. Plăcuță de identificare a produsului și a seriei
4. Autocolant de avertisment și cu informații
5. Comutator oprire
6. Mâner din spate
7. Rezervor de carburant
8. Mâner pentru șnurul de pornire
9. Carcasă demaror
10. Marcaj direcție de debrășare
11. Rezervor de ulei pentru lanț
12. Mâner frontal
13. Frână de lanț și apărătoare de mână din față
14. Amortizor de zgomot
15. Lanț de ferăstrău
16. Roata de lanț de la vârful șinei
17. Șină de ghidaj
18. Șurub de tensionare a lanțului (130)
19. Șurub de tensionare a lanțului (135 Mark II)
20. Bară de protecție
21. Opritor de lanț
22. Carterul ambreiajului
23. Apărătoare pentru mâna dreaptă
24. Pârghie accelerație
25. Element blocare pârghie accelerație
26. Capac șină de ghidaj
27. Unealtă combinată
28. Manualul operatorului

Simbolurile de pe produs

(Fig. 2) Avertisment

(Fig. 3) Citiți acest manual

(Fig. 4) Folosiți protecție aprobată pentru cap, auditivă și vizuală

(Fig. 5) Utilizați mănuși de protecție omologate

(Fig. 6) Produsul este în conformitate cu directivele CE aplicabile

(Fig. 7) Nivel de putere acustică

(Fig. 8) Frână de lanț, necuplată (stânga). Frână de lanț, cuplată (dreapta)

(Fig. 9) Acționare șoc

(Fig. 10) Pompă de amorsare

(Fig. 11) Realimentarea cu carburant

(Fig. 12) Umplerea cu ulei pentru lanț

(Fig. 13) Produsul este în conformitate cu directivele EAC aplicabile

(Fig. 14) Produsul este în conformitate cu directivele aplicabile din Ucraina

(Fig. 15) Produsul este în conformitate cu directivele aplicabile din Coreea

(Fig. 16) Produsul este în conformitate cu directivele aplicabile din Japonia

(Fig. 17) Nivel de zgomot

(Fig. 18) Țineți produsul bine, cu ambele mâini

(Fig. 19) Nu îl utilizați cu o singură mână

(Fig. 20) Evitați contactul cu vârful șinei de ghidaj

(Fig. 21) Atenție la blocări și recul

(Fig. 22) Produsul este în conformitate cu directivele aplicabile din Australia și Noua Zeelandă

referitoare la compatibilitatea electromagnetică.

Nota: Alte simboluri/autocolante de pe produs se referă la cerințele de certificare pentru alte zone comerciale.

Propunerea 65

(Fig. 23)

EU V



AVERTISMENT: În urma modificării neautorizate a motorului, este anulată aprobarea de tip UE pentru acest produs.

Răspunderea pentru produs

Conform prevederilor legislației privind răspunderea pentru produs, nu ne asumăm răspunderea pentru daunele cauzate de produsul nostru dacă:

- produsul este reparat necorespunzător.
- produsul este reparat cu piese care nu provin de la producător sau care nu sunt aprobate de acesta.
- produsul are un accesoriu care nu provine de la producător sau care nu este aprobat de acesta.
- produsul nu este reparat la un centru de service omologat sau de o autoritate omologată.

SIGURANȚĂ

Definiții privind siguranța

Definițiile de mai jos indică nivelul de gravitate pentru fiecare cuvânt de semnalizare.



AVERTISMENT: Vătămări corporale.



ATENȚIE: Deteriorarea produsului.

Nota: Aceste informații facilitează utilizarea produsului.

Instrucțiuni generale de siguranță

- Utilizați produsul în mod corespunzător. Vătămările corporale sau decesul constituie un posibil rezultat al utilizării incorecte. Utilizați produsul numai pentru sarcinile din acest manual. Nu utilizați produsul pentru alte sarcini.
- Citiți, înțelegeți și respectați instrucțiunile din acest manual. Respectați simbolurile de siguranță și instrucțiunile de siguranță. Dacă operatorul nu respectă instrucțiunile și simbolurile, pot apărea vătămări corporale, daune materiale sau decese.
- Nu aruncați acest manual. Utilizați instrucțiunile pentru a asambla, a opera și a păstra produsul în stare bună. Utilizați instrucțiunile pentru instalarea corectă a accesoriilor. Utilizați numai accesoriile aprobate.
- Nu utilizați un produs deteriorat. Respectați programul de întreținere. Efectuați numai operațiile de întreținere pentru care există instrucțiuni în acest manual. Un centru de service omologat trebuie să execute toate celelalte operații de întreținere.
- Acest manual nu poate include toate situațiile care pot apărea atunci când utilizați produsul. Procedați cu atenție și folosiți-vă simțul practic. Nu operați produsul și nu efectuați operații de întreținere la acesta dacă nu sunteți sigur cu privire la situație. Discutați cu un expert de produs, cu distribuitorul, cu agentul de service sau cu centrul de service omologat pentru informații.
- Deconectați cablul bujiei înainte de a asambla produsul, de a depozita produsul sau de a efectua operații de întreținere.
- Nu utilizați produsul dacă specificația sa inițială se modifică. Nu modificați o componentă a produsului fără aprobarea producătorului. Utilizați numai piese omologate de producător. Vătămările corporale sau decesul constituie un posibil rezultat al întreținerii incorecte.
- Nu respirați în atmosfera cu vapori emiși de motor. Respirarea gazelor de eșapament ale motorului, a vaporilor de ulei pentru lanț și a rumegușului pentru o perioadă lungă de timp poate prezenta riscuri pentru sănătate.
- Nu porniți produsul în interior sau în apropierea unor materiale inflamabile. Gazele de eșapament sunt fierbinți și pot conține scântei care pot declanșa incendii. Fără un flux de aer suficient, pot interveni vătămări corporale sau moartea cauzată de asfixiere sau de monoxidul de carbon.
- În timpul funcționării, acest produs generează un câmp electromagnetic. Câmpul electromagnetic poate cauza deteriorarea implanturilor medicale. Discutați cu medicul dvs. și cu producătorul implantului medical înainte de a opera produsul.
- Nu permiteți copiilor să utilizeze produsul.

- Nu permiteți unei persoane care nu cunoaște instrucțiunile să utilizeze produsul.
- Monitorizați permanent o persoană cu capacități fizice sau mentale reduse care utilizează produsul. Un adult responsabil trebuie să fie prezent în permanență.
- Încuiați produsul într-o zonă inaccesibilă copiilor și persoanelor fără aprobare.
- Produsul poate proiecta obiecte și poate cauza vătămări corporale. Respectați instrucțiunile de siguranță, pentru a reduce pericolul de vătămări corporale sau de deces.
- Nu vă îndepărtați de produs atunci când motorul este pornit. Opriiți motorul și asigurați-vă că lanțul nu se rotește.
- În caz de accident, operatorul produsului este responsabil.
- Înainte de a utiliza produsul, asigurați-vă că piesele nu sunt deteriorate.
- Consultați legislația națională sau locală. Aceasta poate interzice sau poate limita utilizarea produsului în unele situații.
- Nu utilizați niciodată produsul atunci când sunteți obosit, bolnav sau dacă ați consumat alcool sau droguri.
- Nu utilizați produsul dacă nu puteți primi ajutor în caz de accident. Anunțați și alte persoane despre faptul că veți utiliza produsul, înainte ca dvs. să începeți utilizarea produsului.
- Nu acționați produsul înainte de a vă asigura că nicio persoană și niciun animal nu se află în zona de siguranță.
- Înainte de a începe, eliminați toate materialele nedorite din zona de lucru. Dacă lanțul lovește un obiect, acesta poate fi proiectat și poate cauza vătămări corporale sau deteriorări. Materialele nedorite se pot întâmpla în jurul lanțului și pot cauza deteriorări.
- Nu utilizați produsul în condiții meteorologice nefavorabile cum ar fi ceață, ploaie, vânt puternic, pericol de descărcări electrice sau alte condiții meteo. Vremea nefavorabilă poate conduce la apariția de situații periculoase, de exemplu, suprafețe alunecoase.
- Asigurați-vă că vă puteți deplasa liber și că puteți lucra într-o poziție stabilă.
- Asigurați-vă că nu puteți cădea în timp ce utilizați produsul. Nu înclinați produsul în timp ce-l utilizați.
- Țineți întotdeauna produsul cu ambele mâini. Prindeți mânerul frontal cu mâna stângă și mânerul din spate cu mâna dreaptă. Țineți produsul pe partea dreaptă a corpului.
- Dacă acționarea șocului se află în poziția clapetei de șoc la pornirea motorului, lanțul începe să se rotească.
- Opriiți motorul înainte de a muta produsul.
- Nu așezați produsul jos când motorul este pornit.
- Înainte de a elimina materialele nedorite din produs, opriiți motorul. Lăsați lanțul să se oprească, înainte ca dvs. sau o persoană care vă ajută să eliminați materialul tăiat.
- Nu acționați niciodată acest produs într-un copac. Acționarea produsului într-un copac poate avea ca rezultat vătămarea corporală.

Instrucțiuni de siguranță pentru utilizare

- Utilizarea continuă sau periodică a produsului poate cauza simptomul de „degete albe” sau alte probleme de natură medicală din cauza vibrațiilor. Examinați starea mâinilor și degetelor dacă utilizați produsul în mod continuu sau regulat. Dacă mâinile sau degetele s-au decolorat, vă dor, simțiți furnicăături sau sunt amorțite, încetați lucrul și contactați imediat un medic.
- Înainte de a utiliza produsul, asigurați-vă că este complet asamblat.
- Produsul poate determina proiectarea de obiecte, ceea ce poate conduce la leziuni oculare. Când utilizați produsul, purtați întotdeauna ochelari de protecție omologati.
- Fiți atent, copiii se pot apropia de produs, fără știrea dvs., în timpul funcționării.
- Nu utilizați produsul dacă se află persoane în zona de lucru. Opriiți produsul dacă o persoană intră în zona de lucru.

(Fig. 24)

- Asigurați-vă că aveți permanent control asupra produsului.
- Produsul trebuie utilizat cu două mâini. Nu utilizați produsul cu o singură mână. Utilizarea cu o singură mână poate cauza vătămări corporale grave operatorului, muncitorilor, persoanelor din jur sau mai multor persoane din aceste categorii.
- Prindeți mânerul frontal cu mâna stângă și mânerul din spate cu mâna dreaptă. Țineți produsul pe partea dreaptă a corpului.

(Fig. 25)

(Fig. 26)

- Frâna de lanț trebuie acționată când produsul este pornit, pentru a reduce riscul ca ferăstrăul să vă atingă în timpul pornirii.

(Fig. 27)

- Evitați reculul, alunecarea, ricoșarea și coborârea rapidă, deoarece acestea pot cauza vătămări corporale grave.
- Respectați toate regulile de siguranță pentru a ajuta la prevenirea reculului și a altor forțe ce pot provoca vătămări corporale grave.
- Ajustați în mod regulat întinderea lanțului pentru a vă asigura că lanțul de ferăstrău nu atârână. Un lanț de ferăstrău slăbit poate sări și cauza vătămări corporale grave sau chiar mortale.

- Nu tăiați copaci folosind o procedură incorectă. Acest lucru poate cauza vătămarea persoanelor, lovirea unei linii de utilități sau poate cauza daune proprietăților.
- Operatorul ar trebui să se poziționeze în partea mai ridicată a terenului, deoarece copacul se va rostogoli sau aluneca spre partea inferioară a pantei după tăiere.

(Fig. 28)

- Planificați și eliberați o rută de evacuare înainte de a începe tăierile. Calea de evacuare trebuie să se extindă în spate și în diagonală față de linia preconizată de cădere.

(Fig. 29)

- Întotdeauna opriți motorul înainte de a muta produsul între copaci.
- Asigurați-vă că aveți un echilibru stabil pe sol și că vă susțineți greutatea în mod egal.

(Fig. 30)

- Păstrați întotdeauna puncte de sprijin adecvate și operați produsul numai când stați pe o suprafață fixă, sigură și orizontală. Suprafețele alunecoase sau instabile, precum scările, pot cauza pierderea echilibrului sau a controlului.

(Fig. 31)

Reculul, alunecarea, ricoșarea și coborârea rapidă

Diferitele forțe pot afecta controlul sigur al produsului.

- **Alunecarea** apare atunci când șina de ghidaj se deplasează rapid transversal pe lemn.
- **Ricoșarea** apare atunci când șina de ghidaj se ridică de pe lemn și îl atinge în mod repetat.
- **Coborârea rapidă** are loc atunci când produsul coboară rapid după efectuarea unei tăieri. Acest lucru poate determina lanțul aflat în mișcare să atingă o parte a corpului sau alte obiecte, cauzând vătămări corporale sau deteriorări.
- **Reculul** are loc atunci când capătul șinei de ghidaj atinge anumite obiecte și se mișcă spre spate, în sus sau brusc în față. Reculul apare și atunci când porțiunile tăiate din lemn se apropie și prind lanțul de ferăstrău în timpul tăierii. Pierderea controlului poate interveni dacă produsul atinge un obiect din lemn. (Fig. 32)
- **Reculul de rotație** se poate produce când lanțul în mișcare intră în contact cu un obiect la partea superioară a șinei de ghidaj. Acest lucru poate cauza blocarea lanțului în obiect și oprirea imediată a lanțului. Rezultatul este o reacție inversă foarte rapidă care mișcă șina de ghidaj în sus și spre înapoi, în direcția operatorului. (Fig. 33)
- **Reculul de prindere** poate interveni atunci când lanțul de ferăstrău se oprește brusc în timpul tăierii. Porțiunile de lemn tăiate se apropie și prind lanțul de ferăstrău aflat în mișcare de-a

lungul șinei de ghidaj. Oprirea bruscă a lanțului inversează forța lanțului și determină mișcarea produsului în direcția opusă a rotației lanțului. Produsul se deplasează în spate, în direcția operatorului.

(Fig. 34)

- **Tragerea spre față** se poate produce atunci când lanțul de ferăstrău se oprește brusc în momentul în care lanțul aflat în mișcare atinge un obiect din lemn, de-a lungul părții inferioare a șinei de ghidaj. Oprirea bruscă trage produsul spre față și departe de operator, ceea ce poate cauza cu ușurință pierderea controlului asupra produsului de către operator.

(Fig. 35)

Asigurați-vă că înțelegeți diferitele forțe și cum puteți să le preveniți, înainte de a utiliza produsul. Consultați *Pentru a preveni reculul, alunecarea, ricoșarea și coborârea bruscă la pagina 343.*

Pentru a preveni reculul, alunecarea, ricoșarea și coborârea bruscă

- În timp ce motorul este în funcțiune, asigurați-vă că țineți bine produsul. Țineți mâna dreaptă pe mânerul din spate și mâna stângă pe mânerul frontal. Țineți bine, având toate degetele în jurul mânerelor. Nu dați drumul.
- Mențineți controlul asupra produsului în timpul tăierii și după ce lemnul cade pe sol. Nu permiteți produsului să coboare rapid după tăiere.
- Asigurați-vă că în zona în care tăiați nu există blocaje. Nu permiteți vârfului șinei de ghidaj să atingă un buștean, o ramură sau alte obstacole în timp ce utilizați produsul. (Fig. 36)
- Tăiați la turații ridicate ale motorului.
- Nu vă întindeți prea mult sau nu tăiați obiecte situate deasupra înălțimii umărului. (Fig. 37)
- Respectați instrucțiunile de ascuțire și întreținere ale producătorului pentru lanțul de ferăstrău.
- Utilizați numai șinele de ghidaj și lanțurile de ferăstrău de schimb specificate de producător.
- Pericolul de recul crește în cazul în care calibrarea adâncimii este prea mare.

Echipament de protecție personală

- Utilizați întotdeauna echipamentul de protecție personală corespunzător atunci când operați produsul. Echipamentul de protecție personală atenuează vătămările corporale în cazul în care intervine un accident, dar nu le previne.
- Nu purtați îmbrăcăminte largă care se poate prinde în lanțul de ferăstrău.
- Purtați o cască de protecție omologată.
- În timp ce operați produsul, purtați întotdeauna protecții omologate pentru ureche. Zgomotul prelungit poate cauza pierderea auzului.
- Purtați ochelari de protecție sau un vizor de protecție pentru față pentru a reduce pericolul de vătămări

corporale cauzate de obiectele proiectate. Produsul poate deplasa obiecte cu forță mare, precum așchii de lemn sau bucăți mici de lemn. Acestea pot cauza vătămări corporale grave, inclusiv vătămări ale ochilor.

- Purtați mănuși pentru protecție împotriva motoferăstraielor.
- Purtați pantaloni pentru protecție împotriva motoferăstraielor.
- Purtați încălțăminte pentru protecție împotriva motoferăstraielor, cu vârf din oțel și talpă anti-aderentă.
- Asigurați-vă că aveți în apropiere o trusă de prim-ajutor.
- Amortizorul de zgomot, șina de ghidaj, lanțul de ferăstrău sau alte elemente pot constitui surse de scântei. Asigurați-vă întotdeauna că aveți la dispoziție instrumente de stingere a incendiilor și o lopată pentru a ajuta la prevenirea incendiilor forestiere.

Dispozitive de protecție la produs

- Nu utilizați un produs cu echipamentul de protecție deteriorat. Dacă produsul este deteriorat, luați legătura cu un centru de service omologat.

Pentru examinarea comutatorului de oprire

1. Porniți motorul. Consultați *Înainte de pornirea motorului la pagina 346*.
2. Asigurați-vă că motorul se oprește atunci când deplasați comutatorul de oprire în poziția de oprire.

Pentru examinarea elementului de blocare a pârghiei de accelerație

1. Asigurați-vă că pârghia de accelerație (B) este blocată la ralanti atunci când eliberați elementul de blocare a pârghiei de accelerație (A) (Fig. 38).
2. Împingeți elementul de blocare a pârghiei de accelerație (A) și asigurați-vă că revine la poziția inițială atunci când îl eliberați.
3. Împingeți pârghia de accelerație (A) și asigurați-vă că revine la poziția inițială atunci când o eliberați.
4. Porniți motorul și aplicați-i accelerație maximă.
5. Eliberați pârghia de accelerație și verificați dacă lanțul de ferăstrău se oprește.
6. Dacă lanțul de ferăstrău se reștețe cu accelerația în poziția de ralanti, examinați șurubul de reglare a ralantiului de la carburator.

Apărătoare

Apărătoarea previne proiectarea obiectelor în direcția operatorului. De asemenea, apărătoarea previne contactul accidental dintre operator și lanțul de ferăstrău.

- Asigurați-vă că apărătoarea poate fi utilizată împreună cu produsul în timpul funcționării acestuia.
- Nu utilizați produsul fără apărătoare.

- Asigurați-vă că apărătoarea nu este deteriorată. Înlocuiți apărătoarea dacă aceasta este uzată sau dacă prezintă fisuri.

Reguli de siguranță referitoare la carburant

- Nu porniți produsul dacă pe acesta se află carburant sau ulei pentru motor. Îndepărtați carburantul/uleiul nedorit și lăsați produsul să se usuce. Îndepărtați carburantul nedorit din produs.
- Dacă vărsați carburantul pe îmbrăcăminte, schimbați imediat hainele.
- Nu vărsați carburantul pe corp - poate provoca vătămări corporale. Dacă vărsați carburant pe corp, utilizați apă și săpun pentru a elimina carburantul.
- Nu porniți motorul dacă vărsați ulei sau carburant pe produs sau pe corp.
- Nu porniți produsul dacă motorul prezintă scurgeri. Examinați cu regularitate motorul, pentru a identifica eventuale scurgeri.
- Manipulați cu atenție carburantul. Carburantul este inflamabil, vaporii sunt explozivi și pot cauza vătămări corporale sau deces.
- Nu respirați vaporii de carburant, se pot produce vătămări corporale. Asigurați-vă că fluxul de aer este suficient.
- Nu fumați în apropierea carburantului sau a motorului.
- Nu amplasați obiecte calde în apropierea carburantului sau a motorului.
- Nu adăugați carburant atunci când motorul este pornit.
- Asigurați-vă că motorul este rece înainte de a realimenta.
- Înainte de a realimenta, deschideți lent capacul rezervorului de carburant și eliberați cu atenție presiunea.
- Nu adăugați carburant la motor într-o zonă interioară. Un flux de aer insuficient poate cauza vătămare corporală sau deces din cauza asfixierii sau a monoxidului de carbon.
- Strângeți cu atenție capacul rezervorului de carburant; în caz contrar, se pot produce incendii.
- Înainte de pornire, mutați produsul la o distanță de minimum 3 m (10 ft) față de poziția unde ați umplut rezervorul.
- Nu introduceți prea mult carburant în rezervorul de carburant.
- Asigurați-vă că nu se pot produce scurgeri atunci când mutați produsul sau rezervorul de carburant.
- Nu poziționați produsul sau rezervorul de carburant în apropierea unei flăcări deschise, a scânteiilor sau a unei lumini pilot. Asigurați-vă că în zona de depozitare nu se află flăcări deschise.
- Utilizați numai recipiente omologate atunci când mutați carburantul sau îl introduceți în spațiul de depozitare.

- Goliți rezervorul de carburant înainte de a-l depozita pe termen lung. Respectați legislația locală cu privire la locația de eliminare a carburantului.
- Curățați produsul înainte de depozitarea pe termen lung.
- Îndepărtați cablul bujiei înainte de a introduce produsul în spațiul de depozitare, pentru a vă asigura că motorul nu pornește accidental.

Instrucțiuni de siguranță pentru întreținere

- Deconectați bujia înainte de a efectua întreținerea produsului, fără reglarea carburatorului.
- Apelați la un distribuitor aprobat pentru toate operațiunile de service ale produsului, fără activitățile din **ÎNȚREȚINEREA la pagina 348**.
- Asigurați-vă că lanțul ferăstrăului se oprește din mișcare când trăgaciul accelerației este eliberat.
- Păstrați mânerul uscat, curat și fără urme de ulei sau de amestec.
- Țineți capacele și elementele de strângere corect strânse.
- Utilizarea componentelor de schimb care nu sunt aprobate sau eliminarea dispozitivelor de siguranță poate cauza deteriorarea produsului. De asemenea, acest lucru poate cauza vătămarea corporală a operatorului sau a persoanelor din jur. Folosiți numai

accesorii și piese de schimb conform recomandărilor. Nu schimbați produsul.

- Mențineți lanțul de ferăstrău ascuțit și curat pentru performanță ridicată și sigură.
- Respectați instrucțiunile pentru ungere și schimbarea accesoriilor.
- Examinați produsul pentru componente deteriorate. Înainte de a continua utilizarea produsului, asigurați-vă că apărătoarea sau componenta deteriorată funcționează corect. Verificați dacă există componente defecte sau aliniate incorect și componentele care nu se mișcă liber. Verificați dacă există alte condiții care ar putea afecta funcționarea produsului. Asigurați-vă că produsul este instalat corect. O apărătoare sau altă componentă deteriorată trebuie reparată sau înlocuită de un distribuitor aprobat, cu excepția cazului în care se specifică altfel în manualul operatorului.
- Când nu este în funcțiune, păstrați produsul într-o zonă uscată, înaltă sau blocată, departe de accesul copiilor.
- În timpul transportului sau depozitării produsului, utilizați un capac sau o carcasă pentru șina de ghidaj, pentru a muta produsul.
- Nu utilizați ulei ars. Uleiul ars poate fi periculos pentru dvs. și poate provoca daune produsului și mediului.

ASAMBLAREA



AVERTISMENT: Citiți și înțelegeți capitolul referitor la siguranță înainte de asamblarea produsului.

Pentru asamblarea șinei de ghidaj și a lanțului de ferăstrău

1. Scoateți pipa bujiei din bujie în timpul asamblării, pentru a preveni pornirea accidentală. (Fig. 39) (Fig. 40)
2. Scoateți piulițele de fixare a șinei și capacul ambreiajului. Demontați apărătoarea de transport (A). (Fig. 41)
3. Puneți șina de ghidaj deasupra șuruburilor șinei. Deplasați șina de ghidaj în ultima poziție din spate.
4. Purtați mânuși de protecție împotriva motoferăstrăului.
5. Ridicați lanțul de ferăstrău deasupra roții de antrenare și cuplați-l în canelura de pe șina de ghidaj. Începeți de la marginea superioară a șinei de ghidaj. (Fig. 42)
6. Asigurați-vă că marginile conexiunilor de tăiere sunt îndreptate spre față, pe marginea superioară a șinei de ghidaj.
7. Asamblați capacul ambreiajului și deplasați pintelul întinzător al lanțului în orificiul prevăzut în șina de ghidaj.
8. Asigurați-vă că zalele de ghidare ale lanțului de ferăstrău se fixează corect pe roata de antrenare. De asemenea, asigurați-vă că lanțul de ferăstrău este cuplat corect în canelura din șina de ghidaj.
9. Strângeți piulițele de fixare a șinei de ghidaj cu mâna.
10. Strângeți lanțul de ferăstrău rotind șurubul de tensionare a lanțului în sensul acelor de ceasornic, utilizând cheia combinată. Strângeți lanțul de ferăstrău până când nu se mai îndoaie sub șina de ghidaj, dar poate fi întors ușor cu mâna. (Fig. 43) și (Fig. 44)
11. Țineți capătul șinei de ghidaj în sus și strângeți piulițele de fixare a șinei folosind cheia combinată. (Fig. 45)
 - Examinați frecvent întinderea lanțului după asamblarea unui nou lanț de ferăstrău și până când lanțul de ferăstrău se rodează.
 - Examinați întinderea lanțului în mod regulat. Întinderea corectă a lanțului determină o bună performanță de tăiere și o durată de funcționare lungă.

FUNCȚIONAREA



AVERTISMENT: Citiți și înțelegeți capitolul referitor la siguranță înainte de utilizarea produsului.

Pentru utilizarea carburantului



ATENȚIE: Acest produs este prevăzut cu motor în doi timpi. Utilizați un amestec de benzină și de ulei pentru motor în doi timpi. Asigurați-vă că utilizați cantitatea corectă de ulei în amestec. Un raport incorect între benzină și ulei poate cauza deteriorarea motorului.

Raport amestec

Raportul amestecului pentru benzină și ulei de motor în doi timpi este de 50:1 (2%)

Benzină	Ulei pentru motor în doi timpi
1 galon S.U.A.	77 ml (2,6 oz)
1 galon Marea Britanie	95 ml (3,2 oz)
5 l	100 ml (3,4 oz)

Pentru realizarea amestecului

1. Determinați cantitatea corectă de benzină și ulei de motor (raportul amestecului 50:1). Nu realizați o cantitate de amestec pentru mai mult de 30 de zile. Consultați *Raport amestec la pagina 346*.
2. Adăugați jumătate din cantitatea de benzină într-un rezervor de carburant curat, cu o supapă anti-vărsare.



ATENȚIE: Nu utilizați benzină cu o concentrație de etanol de peste 10% (E10). Aceasta poate deteriora produsul.



ATENȚIE: Nu utilizați benzină cu o cifră octanică mai mică de 90 RON (87 AKI). Aceasta poate deteriora produsul.

Nota: Utilizați benzină cu o cifră octanică mai mare dacă utilizați frecvent produsul în mod continuu, la o turație de motor ridicată.

3. Adăugați întreaga cantitate de ulei de motor în doi timpi în rezervorul de carburant.



ATENȚIE: Utilizați întotdeauna ulei de motor în doi timpi răcit cu aer, de înaltă

calitate. Alte uleiuri pot deteriora produsul.

4. Agitați amestecul, pentru amestecarea conținutului.
5. Adăugați cantitatea de benzină rămasă în rezervorul de carburant.
6. Agitați amestecul, pentru amestecarea conținutului.
7. Umpleți rezervorul de carburant al produsului cu amestecul. Consultați *Raport amestec la pagina 346*.

Pentru umplerea rezervorului de carburant

1. Asigurați-vă că amestecul este corect și că îl introduceți într-un rezervor de carburant cu o supapă anti-vărsare.
2. Dacă a rămas carburant în rezervor, îndepărtați carburantul nedorit și lăsați rezervorul să se usuce.
3. Asigurați-vă că zona din apropierea capacului rezervorului de carburant este curată.
4. Scoateți capacul rezervorului de carburant. (Fig. 46)
5. Scuturați rezervorul de carburant înainte de a adăuga amestecul în acesta.
6. Puneți înapoi capacul rezervorului de carburant.

Pentru a unge lanțul de ferăstrău

Produsul are un sistem de ungere automat. Asigurați-vă că utilizați numai uleiul de lanț corespunzător și că respectați instrucțiunile.

1. Utilizați ulei de lanț vegetal pentru ferăstrău sau ulei de lanț standard.
2. Asigurați-vă că zona din apropierea capacului rezervorului de ulei pentru lanțul de ferăstrău este curată.
3. Scoateți capacul rezervorului de ulei pentru lanțul de ferăstrău.
4. Umpleți rezervorul de ulei pentru lanțul de ferăstrău cu uleiul pentru lanț de ferăstrău recomandat.
5. Puneți înapoi capacul rezervorului de ulei pentru lanț de ferăstrău.

Înainte de pornirea motorului

- Examinați produsul pentru a identifica eventuale piese lipsă, deteriorate, slăbite sau uzate.
- Examinați piulițele, șuruburile și bolțurile.
- Examinați filtrul de aer.
- Verificați dacă zăvorul pârghiei de accelerație și controlul accelerației funcționează corespunzător.
- Verificați comutatorul de oprire pentru a vedea dacă funcționează corespunzător.
- Examinați produsul pentru scurgeri de carburant.
- Verificați dacă lanțul de ferăstrău este ascuțit și întins corect.

Pentru pornirea unui motor rece

1. Deplasați apărătoarea de mână din față spre înainte pentru a activa frâna de lanț. (Fig. 47)
2. Trageți în afară și în sus acționarea șocului.
3. Împingeți butonul de amorsare de 6 ori. (Fig. 48)
4. Țineți corpul produsului pe sol, cu mâna stângă. Nu călcați pe produs. Trageți încet de mânerul șnurului de pornire, până când simțiți o oarecare rezistență. Apoi, trageți puternic mânerul șnurului de pornire. (Fig. 49)

Nota: Nu trageți pârghia de accelerație în timp ce porniți motorul.

5. Continuați să trageți de mânerul șnurului de pornire până când motorul pornește sau încearcă să pornească (max. 3 trageri). Dacă motorul pornește sau încearcă să pornească, împingeți în jos acționarea șocului. (Fig. 50)



ATENȚIE: Nu trageți de șnurul de pornire înainte de oprirea acestuia. Nu eliberați șnurul de pornire când acesta este complet extins. Eliberați lent șnurul de pornire. Nerespectarea acestor instrucțiuni poate cauza deteriorarea motorului.

6. Continuați să trageți până la pornirea motorului. Așteptați 60 de secunde după pornire înainte de a trage de pârghia de accelerație.
7. Trageți apărătoarea de mână din față înapoi spre mânerul frontal pentru a decupla frâna de lanț.
8. Prindeți mânerul din spate cu mâna dreaptă și mânerul frontal cu mâna stângă.
9. Utilizați produsul.

Pentru pornirea unui motor cald

1. Deplasați apărătoarea de mână din față spre înainte pentru a activa frâna de lanț. (Fig. 51)
2. Trageți în afară și în sus acționarea șocului.
3. Împingeți butonul de amorsare de 6 ori. (Fig. 52)
4. Apăsăți acționarea șocului în jos. (Fig. 53)
5. Țineți corpul produsului pe sol, cu mâna stângă. Nu călcați pe produs. Trageți încet de mânerul șnurului de pornire, până când simțiți o oarecare rezistență. Apoi, trageți puternic mânerul șnurului de pornire. (Fig. 54)



ATENȚIE: Nu trageți de șnurul de pornire înainte de oprirea acestuia. Nu eliberați șnurul de pornire când acesta este complet extins. Eliberați lent șnurul de pornire. Respectați aceste instrucțiuni pentru a preveni deteriorarea motorului.

Nota: Nu trageți pârghia de accelerație în timp ce porniți motorul.

6. Continuați să trageți de mânerul șnurului de pornire până când motorul pornește sau încearcă să pornească (max. 3 trageri). Așteptați 60 de secunde după pornire înainte de a trage de pârghia de accelerație.
7. Trageți apărătoarea de mână din față în direcția mânerului frontal pentru a decupla frâna de lanț.
8. Prindeți mânerul din spate cu mâna dreaptă și mânerul frontal cu mâna stângă.
9. Utilizați produsul.

Pentru a porni motorul când carburantul este prea fierbinte

Dacă produsul nu pornește, carburantul poate fi prea fierbinte.

Nota: Utilizați întotdeauna carburant nou și reduceți timpul de funcționare pe vreme caldă.

1. Puneți produsul într-o zonă rece, departe de lumina solară directă.
2. Lăsați produsul să se răcească pentru minimum 20 de minute.
3. Apăsăți din nou butonul de amorsare timp de 10-15 secunde.
4. Respectați procedura de pornire a unui motor rece. Consultați *Pentru pornirea unui motor rece la pagina 347*.

Pentru oprire

- Apăsăți pe comutatorul de oprire pentru a opri motorul.

Nota: Comutatorul de oprire revine automat la poziția inițială.

Pentru a utiliza o bară de protecție

O bară de protecție previne reculul și ține lemnul în timpul tăierilor. Bara de protecție este un pivot între șina de ghidaj și motor.

1. Puneți capătul inferior al barei de protecție la lățimea corectă a articulației.
2. Apăsăți cu mâna stângă pe mânerul frontal, în timp ce ridicați mânerul din spate cu mâna dreaptă.
3. Tăiați până când obțineți un ciot cu funcție de pivot de lățime corectă.

Nota: Ciotul trebuie să aibă grosime egală.

4. Tăiați mai mult de jumătate din diametru și apoi introduceți pana în tăietura de ferăstrău.

Pentru a doborî un copac

1. Înlăturați gunoaiele, pietrele, scoarța desprinsă, cuiele, cârligele și cablurile din copac.
2. Realizați o tăietură triunghiulară de 1/3 din diametrul arborelui, perpendicular pe direcția căderii. (Fig. 55)
3. Efectuați tăietura triunghiulară orizontală inferioară. Acest lucru ajută la prevenirea prinderii lanțului de ferăstrău sau a șinei de ghidaj atunci când se realizează a doua tăietură triunghiulară.
4. Efectuați tăietura de doborâre din spate (X) cu cel puțin 50 mm (2 in) mai sus decât tăietura triunghiulară orizontală. Mențineți tăietura de doborâre din spate paralelă cu tăietura triunghiulară orizontală, astfel încât să rămână lemn suficient pentru un ciot. Nu tăiați articulația. Ciotul cu funcție de pivot previne răsucirea arborelui și căderea acestuia în direcția incorectă. (Fig. 56) și (Fig. 57)
5. Pe măsură ce tăietura de doborâre din spate se apropie de ciot, arborele începe să cadă. Asigurați-vă că arborele poate cădea în direcția corectă și că nu se mișcă spre spate și prinde lanțul de ferăstrău. Întrerupeți tăierea înainte ca tăietura de doborâre din spate să fie finalizată, pentru a preveni acest lucru. Utilizați pene din lemn, plastic sau aluminiu pentru a deschide tăietura și a lăsa arborele să cadă de-a lungul liniei de cădere necesare. (Fig. 58)
6. Când arborele începe să cadă, scoateți produsul din tăietură. Opriti motorul, puneți produsul jos și utilizați calea de evacuare planificată. Aveți grijă la ramurile care cad și fiți atent pe unde călcați. (Fig. 59)

2. Îndepărtați ramurile mici cu o singură tăietură. (Fig. 60)
3. Tăiați ramurile tensionate din partea de jos spre partea de sus, pentru a preveni prinderea lanțului de ferăstrău sau a șinei de ghidaj.

Ferăstruirea unui buștean



ATENȚIE: Nu permiteți lanțului de ferăstrău să atingă solul.

- Dacă bușteanul este susținut pe toată lungimea sa, tăiați din partea de sus a bușteanului (denumită ferăstruire din partea superioară). (Fig. 61)
- Dacă bușteanul este susținut la un capăt, tăiați 1/3 din diametru din partea de jos a bușteanului (denumită ferăstruire din partea inferioară).
- Dacă bușteanul este susținut la ambele capete, tăiați 1/3 din diametru, din partea de sus. Finalizați tăierea prin ferăstruirea din partea inferioară a 2/3 din partea de jos a bușteanului, pentru a atinge prima tăiere. (Fig. 62)
- Dacă ferăstruiți un buștean pe o pantă, rămâneți întotdeauna pe partea aflată la deal de buștean. Tăiați bușteanul în timp ce mențineți controlul complet al produsului. Apoi, eliberați presiunea de tăiere la finalul tăierii, în timp ce țineți bine mânerul din spate și mânerul frontal. (Fig. 63)

Tăierea ramurilor unui arbore

1. Utilizați ramurile mai mari pentru a ține bușteanul deasupra solului.

ÎNȚREȚINEREA



AVERTISMENT: Citiți și înțelegeți capitolul privind siguranța înainte de a efectua operații de curățare, reparație sau întreținere asupra produsului.

Program de întreținere

Respectați programul de întreținere. Intervalele sunt calculate considerând o utilizare zilnică a produsului. Intervalele sunt diferite dacă nu utilizați zilnic produsul. Efectuați numai operațiile de întreținere care se regăsesc în acest manual. Discutați cu un centru de service omologat cu privire la operațiile de întreținere care nu sunt menționate în acest manual.

Întreținerea zilnică

- Curățați suprafețele exterioare.
- Asigurați-vă că blocarea declanșatorului și declanșatorul funcționează corect.

- Curățați frâna de lanț și asigurați-vă că funcționează corect.
- Verificați opritorul de lanț pentru semne de deteriorare. Înlocuiți opritorul de lanț, dacă acesta este deteriorat.
- Rotiți șina de ghidaj zilnic pentru o uzură mai uniformă.
- Asigurați-vă că orificiul de ungere din șina de ghidaj nu este înfundat.
- Eliminați talașul și alte materiale nedorite de sub capacul pinionului.
- Curățați canalul șinei de ghidaj. (Fig. 64)
- Asigurați-vă că șina de ghidaj și lanțul de ferăstrău au suficient ulei.
- Verificați lanțul de ferăstrău pentru:
 - fisuri în nituri și zale.
 - nituri și zale uzate neuniform.
 - întindere corectă.

- bavuri pe zalele de ghidare a lanțului.

Dacă este necesar, înlocuiți lanțul de ferăstrău.

- Ascuțiți lanțul de ferăstrău. Consultați *Pentru ascuțirea lanțului de ferăstrău la pagina 350*.
- Examinați roata de antrenare pentru a vedea dacă este prea uzată și înlocuiți-o dacă este necesar. (Fig. 65)
- Curățați priza de aer a carcasei motorului.
- Verificați dacă șuruburile și piliilele sunt strânse bine.
- Verificați funcționarea corectă a întrerupătorului de alimentare.

Întreținerea săptămânală

- Asigurați-vă că sistemul de răcire funcționează corect.
- Asigurați-vă că demarorul, șnurul de pornire și arcul de rapel funcționează corect.
- Asigurați-vă că nu s-au deteriorat componentele de amortizare a vibrațiilor.

(Fig. 66)

- Piliți toate bavurile de pe marginile șinei de ghidaj.
- Curățați sau înlocuiți ecranul extincătorului de scânteie de pe amortizorul de zgomot.

(Fig. 67)

- Curățați suprafețele exterioare ale carburatorului și zonele adiacente ale acestuia.
- Curățați filtrul de aer. Montați un nou filtru de aer dacă este deteriorat sau prea murdar pentru a fi curățat complet. Consultați *Pentru a curăța filtrul de aer la pagina 350* pentru mai multe informații.

Întreținerea lunară

- Examinați banda de frână a frânei cu lanț pentru uzură. Înlocuiți-o atunci când grosimea benzii de frână este mai mică de 0,6 mm (0,024 in) la cel mai uzat punct.

(Fig. 68)

- Examinați centrul ambreiajului, tamburul ambreiajului și arcul ambreiajului pentru uzură.
- Curățați bujia. Asigurați-vă că apărătoarea electrozudului este corectă.

(Fig. 69)

- Curățați suprafețele exterioare ale carburatorului și zonele adiacente ale acestuia.
- Verificați filtrul de carburant și furtunul pentru carburant. Înlocuiți, dacă este necesar.
- Goliți rezervorul de carburant.
- Goliți rezervorul de ulei.
- Examinați toate cablurile și conexiunile.

Întreținerea anuală

- Verificați bujia.

- Curățați suprafețele exterioare ale carburatorului și zonele adiacente ale acestuia.
- Curățați sistemul de răcire.
- Verificați ecranul extincătorului de scânteie.
- Examinați filtrul de carburant.
- Verificați integritatea furtunului de carburant.
- Examinați toate cablurile și conexiunile.

Întreținere intermitentă

- Apelați la un centru autorizat de service pentru repararea sau înlocuirea amortizorului de sunet după 50 de ore de funcționare.
- Efectuați operații de întreținere pentru bujie atunci când:
 - nivelul de putere al motorului este scăzut.
 - pornirea motorului este dificilă.
 - motorul nu funcționează corect la turația de mers în gol.
- Verificați ungerea lanțului de ferăstrău de fiecare dată când reimentați cu carburant. Consultați *Pentru a verifica ungerea lanțului de ferăstrău la pagina 351*.

Pentru reglarea turației de mers în gol

Asigurați-vă că filtrul de aer este curat și că s-a executat montarea capacului filtrului de aer, înainte de a regla turația de mers în gol.

1. Rotiți șurubul de reglare a turației de mers în gol, care este identificat cu un marcaj „T”, în sensul acelor de ceasornic, până când lanțul de ferăstrău începe să se rotească.
2. Rotiți șurubul de reglare a turației de mers în gol, care este identificat cu un marcaj „T”, în sensul opus acelor de ceasornic, până când lanțul de ferăstrău se oprește.
3. Turația de mers în gol trebuie să fie sub valoarea la care lanțul de ferăstrău începe să se rotească. Turația de mers în gol este corectă când motorul funcționează uniform în toate pozițiile.

Pentru a efectua operații de întreținere la ecranul extincătorului de scânteie

- Utilizați o perie de sârmă, pentru a curăța ecranul extincătorului de scânteie. (Fig. 70)

Pentru a efectua operații de întreținere a bujiei



ATENȚIE: Utilizați o bujie recomandată. Asigurați-vă că piesa de schimb coincide cu piesa recomandată de producător. O bujie incorectă poate cauza deteriorarea produsului.

1. Dacă produsul pornește sau funcționează cu dificultate, verificați dacă bujia nu prezintă materiale nedorite. Pentru a reduce riscul prezenței materialelor nedorite la electrozii bujiei:
 - a) asigurați-vă că turația de mers în gol este reglată corect.
 - b) asigurați-vă că amestecul este corect.
 - c) asigurați-vă că filtrul de aer este curat.
2. Curățați bujia dacă este murdară. Asigurați-vă că apărătoarea electrozului este corectă. (Fig. 71)
3. Înlocuiți bujia atunci când este necesar.

Pentru a curăța filtrul de aer

1. Îndepărtați capacul filtrului de aer și scoateți filtrul de aer. (Fig. 72)
2. Curățați filtrul de aer, folosind apă caldă cu săpun. Asigurați-vă că filtrul de aer este uscat, înainte de a-l instala.
3. Înlocuiți filtrul de aer dacă este prea murdar pentru a fi curățat în totalitate. Întotdeauna înlocuiți un filtru de aer deteriorat.

Pentru ascuțirea lanțului de ferăstrău

Freza

Partea care taie a ferăstrăului se numește freză și este formată din dantura de tăiere (A) și calibrarea adâncimii (B). Adâncimea de tăiere a frezei se obține prin diferența de înălțime dintre cele două, setarea calibrării adâncimii (C).

(Fig. 73)

La ascuțirea danturii, există patru factori importanți care trebuie luați în considerare:

- Unghiul de ascuțire.

(Fig. 74)

- Unghiul de tăiere.

(Fig. 75)

- Poziția pilei.

(Fig. 76)

- Diametrul pilei rotunde.

(Fig. 77)

Pentru ascuțirea dinților

Utilizați o pilă rotundă și o matriță pentru a ascuți dinții. Consultați *Pilirea lanțului de ferăstrău și combinații lanț de ferăstrău la pagina 353* pentru informații despre dimensiunea recomandată a pilei și a matriței lanțului de ferăstrău instalat pe produs.

(Fig. 78)

1. Asigurați-vă că lanțul de ferăstrău are întinderea corectă. Un lanț fără întinderea corectă se deplasează într-o parte și nu se ascute corect.

2. Utilizați pila pe toți dinții de pe o parte. Apoi utilizați pila pe dinții de pe partea interioară și reduceți presiunea pe direcție inversă.
3. Rotiți produsul pe partea opusă și utilizați pila pe dinți.
4. Utilizați pila pentru a menține toți dinții la aceeași lungime. Înlocuiți un lanț de ferăstrău uzat când lungimea dinților scade până la 4 mm (5/32 in).

Pentru a regla setarea calibrării adâncimii

Ascuțiți dinții înainte de a seta calibrarea adâncimii. Consultați *Pentru ascuțirea dinților la pagina 350*. Când ascuțiți dinții de tăiere (A), setarea calibrării adâncimii (C) se va reduce. Pentru menținerea performanței de tăiere optime, calibrarea adâncimii (B) trebuie pilită în jos pentru a atinge setarea recomandată a calibrării adâncimii. Consultați *Pilirea lanțului de ferăstrău și combinații lanț de ferăstrău la pagina 353* pentru a afla care este reglarea corectă a calibrării adâncimii pentru lanțul dvs.

(Fig. 79)

(Fig. 80)

Nota: Această recomandare presupune faptul că lungimea dintelui de tăiere nu este redus excesiv.

Utilizați o pilă plată și un dispozitiv de calibrare a adâncimii pentru a regla calibrarea adâncimii.

1. Puneți dispozitivul pentru calibrarea adâncimii deasupra lanțului de ferăstrău. Informații detaliate cu privire la utilizarea dispozitivului de calibrare a adâncimii se găsesc pe ambalajul dispozitivului.
2. Folosiți pila plată pentru a pili vârful pentru calibrarea adâncimii care iese prin dispozitivul de calibrare a adâncimii. Setarea calibrării adâncimii este corectă când nu mai simțiți rezistență în timp ce trageți pila de-a lungul dispozitivului de calibrare a adâncimii.

Pentru întinderea lanțului de ferăstrău

Nota: Verificați frecvent întinderea unui lanț de ferăstrău nou în timpul perioadei de rodare.

1. Slăbiți piulițele șinei de ghidaj care susțin capacul pinionului. Utilizați cheia combinată. (Fig. 81)
2. Apoi strângeți manual piulițele șinei de ghidaj, cât mai mult posibil.
3. Ridicați partea superioară a șinei de ghidaj și extindeți lanțul de ferăstrău prin strângerea șurubului de tensionare a lanțului. Utilizați cheia combinată. Strângeți lanțul de ferăstrău până când nu mai atâră de partea de dedesubt a șinei de ghidaj. (Fig. 82)
4. Strângeți piulițele șinei de ghidaj utilizând cheia combinată și ridicați în același timp vârful șinei de ghidaj. (Fig. 83)
5. Asigurați-vă că puteți trage lanțul de ferăstrău liber cu mâna și că acesta nu atâră. (Fig. 84)

Pentru a unge echipamentul de tăiere

Pentru a verifica ungerea lanțului de ferăstrău

Verificați ungerea lanțului de motoferăstrău de fiecare dată când realimentați cu carburant.

1. Porniți produsul și lăsați-l să ruleze la viteza de 3/4. Îndreptați vârful șinei de ghidaj spre o suprafață de culoare deschisă aflată la o distanță de aproximativ 20 cm (8 in).
2. După 1 minut de funcționare, o linie de ulei apare pe suprafața deschisă la culoare.
3. Dacă nu puteți vedea linia de ulei după 1 minut, curățați canalul de ulei din șina de ghidaj. Curățați canelura din marginea șinei de ghidaj. Asigurați-vă că pinionul din vârful șinei de ghidaj se rotește liber și că nu există blocaje în orificiul de ungere. Curățați și ungeți pinionul din vârful șinei de ghidaj.
4. Porniți produsul și lăsați-l să ruleze la viteza de 3/4. Îndreptați vârful șinei de ghidaj pe suprafața de culoare deschisă aflată la o distanță de aproximativ 20 cm (8 in).
5. După 1 minut de funcționare, o linie de ulei apare pe suprafața deschisă la culoare.
6. Dacă nu puteți vedea linia de ulei după 1 minut, discutați cu dealerul dvs. autorizat.

TRANSPORTUL

- Goliți rezervoarele de carburant și de ulei pentru lanț înainte de transport. Aruncați lichidele utilizate în mod corect.
- Puneți capacul șinei de ghidaj pe accesoriul de tăiere în timpul transportului. Acest lucru previne atingerea accidentală a lanțului de ferăstrău ascuțit. Un lanț de ferăstrău nefuncțional vă poate provoca vătămări dvs. sau altor persoane care ating un lanț de ferăstrău ascuțit.
- Scoateți pipa bujiei din bujie și cuplați frâna de lanț înainte de transport.
- Asigurați-vă că produsul nu se poate mișca în timpul transportului.

DEPOZITAREA

- Întotdeauna depozitați produsul în siguranță când nu îl utilizați. Scurgerile și vaporii din produs pot intra în contact cu scântei, flăcări deschise de la echipamentele electrice, mașini de tuns electrice, rele/comutatoare, cazane și multe altele.
- Întotdeauna depozitați carburant într-un rezervor aprobat.
- Goliți rezervoarele de carburant și de ulei pentru lanț atunci când produsul este depozitat pentru perioade mai lungi de timp. Aruncați lichidele utilizate în mod corect.
- În timpul depozitării, așezați capacul șinei de ghidaj pe șina de ghidaj. Acest lucru previne atingerea accidentală a lanțului de ferăstrău ascuțit. Un lanț de ferăstrău nefuncțional vă poate provoca vătămări corporale grave dvs. sau altor persoane care ating un lanț de ferăstrău ascuțit.
- Scoateți pipa bujiei din bujie și cuplați frâna de lanț înainte de depozitare.

DATE TEHNICE

	unitate	130 (H13038HV)	135 Mark II (H13038HV)
Specificații motor			
Cilindree	cm ³	38	38
Bujia	—	NGK BPMR 7A	NGK BPMR 7A
Apărătoare electrod	mm (in)	0,5 (0,02)	0,5 (0,02)
Volum rezervor de carburant	cm ³	350	350
Turație de mers în gol	min ⁻¹	2800-3200	2800-3200
Puterea de ieșire la 9000 min ⁻¹	kW	1,5	1,6
Perioada de rezistență a emisiilor	ore	125	125

	unitate	130 (H13038HV)	135 Mark II (H13038HV)
Date privind zgomotul și vibrațiile			
Nivel de vibrații echivalente (ahv, eq) mâner din partea stângă ¹¹⁶	m/s ²	3,72	3,72
Nivel de vibrații echivalente (ahv, eq) mâner din partea dreaptă ¹¹⁷	m/s ²	5,5	5,5
Nivel putere acustică, garantat (L _{WA}) ¹¹⁸	dB(A)	116	116
Nivel de putere acustică, măsurat ¹¹⁹	dB(A)	114	114
Nivel de presiune acustică la urechea operatorului ¹²⁰	dB(A)	102	102
Dimensiuni produs			
Greutate (fără echipamentul de tăiere)	kg	4,68 (10,3)	4,68 (10,3)
Volum rezervor de ulei	cm ³	260	260
Carburant și sistem de ungere			
Volumul pompei de ulei la 9000 min ⁻¹	ml/min	9	9
Tipul pompei de ulei	—	Automată	Automată
Șina de ghidaj și lanțul de ferăstrău			
Lungime standard a șinei de ghidaj	cm (in)	35-40 (14-16)	35-40 (14-16)
Lungime recomandată bară de ghidare	cm (in)	35-40 (14-16)	35-40 (14-16)
Lungimea de tăiere activă	cm (in)	33-38 (13-15)	33-38 (13-15)
Viteza maximă a lanțului de ferăstrău	m/s	22,3	22,3
Pasul lanțului de ferăstrău	mm (in)	9,52 (3/8)	9,52 (3/8)
Grosimea zalelor de ghidare (profil)	mm (in)	1,3 (0,050)	1,3 (0,050)
Tipul roții de antrenare	—	Pinten	Pinten
Numărul de dinți ai roții de antrenare	—	6	6

¹¹⁶ Nivelul echivalent de vibrații este calculat ca și totalul energiei măsurate în timpul unei ore pentru diferite niveluri de vibrație în diferite condiții de lucru. Datele raportate pentru nivelul echivalent de vibrații includ o dispersie statistică tipică (abatere standard) de 1,5 m/s².

¹¹⁷ Nivelul echivalent de vibrații este calculat ca și totalul energiei măsurate în timpul unei ore pentru diferite niveluri de vibrație în diferite condiții de lucru. Datele raportate pentru nivelul echivalent de vibrații includ o dispersie statistică tipică (abatere standard) de 1,5 m/s².

¹¹⁸ Emisii de zgomot în mediu măsurate ca putere acustică (L_{WA}).

¹¹⁹ Emisii de zgomot în mediu măsurate ca putere acustică (L_{WA}).

¹²⁰ Nivelul echivalent de presiune acustică este calculat ca și totalul energiei măsurate în timpul unei ore pentru diferite niveluri de presiune acustică în diferite condiții de lucru. Dispersia statistică tipică pentru nivelul echivalent de presiune acustică este reprezentată printr-o deviere standard de 2,5 dB (A).

ACCESORII

Combi-nații șină de ghidaj și lanț de ferăstrău

Șină de ghidaj				Lanț de ferăstrău	
Lungime	Pas	Profil	Raza maximă la vârf	Tip	Număr conexiuni de antrenare
14 inch	3/8 inch	0,050 inch	7T	Husqvarna H37	52
16 inch				Husqvarna S93G	56

Pilirea lanțului de ferăstrău și combinații lanț de ferăstrău

Tipul lanțului	Dimensiunea pilei rotunde	Unghiul plăcii laterale	Unghi plăcii superioare	Unghiul de ghidare a pilei	Setarea calibrării adâncimii	Nr. piesă pentru calibrarea adâncimii	Nr. piesă pentru ma-triță
H37, S93G	5/32 in. 4,0 mm	80°	30°	0°	0,025/0,65	5056981-03	5052437-01

CONȚINUTUL DECLARAȚIEI DE CONFORMITATE CE

Noi, Husqvarna AB, SE 561 82 Huskvarna, SUEEDIA, declarăm pe propria răspundere că produsul reprezentat:

Descriere	Motoferăstrău pe benzină
Marcă	Husqvarna
Platformă / Tip / Model	Platformă H13038HV, reprezentând modelul 130, 135 Mark II
Lot	Serie cu data 2018 și în continuare

respectă în totalitate următoarele directive și reglementări UE:

Directivă/Reglementare	Descriere
2006/42/CE	„aferentă utilajelor”
2014/30/UE	„aferentă compatibilității electromagnetice”

Directivă/Reglementare	Descriere
2000/14/CE	„aferentă zgomotului exterior”
2011/65/UE	„restricționarea utilizării anumitor substanțe periculoase”

Standardele armonizate și/sau specificațiile tehnice aplicate sunt următoarele: EN ISO 12100, EN ISO 11681-1, CISPR 12, ISO 14982

În conformitate cu directiva 2000/14/CE, Anexa V, valorile sonore declarate sunt declarate în secțiunea Date tehnice a prezentului manual și în Declarația de conformitate UE semnată.

TÜV Rheinland LGA Products GmbH, organism notificat pentru utilaje (notificat sub 0197), Tillystraße 2 - 90431 Nürnberg, Germania, a efectuat o examinare de tip CE în conformitate cu Directiva 2006/42/CE, articolul 12 alineatul 3b.

Certificatul de examinare tip CE, în conformitate cu Anexa IX, furnizat în Declarația de conformitate

semnată, se aplică pentru toate locațiile de fabricație și pentru toate țările de proveniență indicate pe produs.

Acest motoferăstrău se conformează exemplului supus examinării de tip CE.

İçindekiler

GİRİŞ.....	355	TAŞIMA.....	365
EMNİYET.....	356	SAKLAMA.....	365
MONTAJ.....	360	TEKNİK VERİLER.....	365
KULLANIM.....	360	AKSESUARLAR.....	367
BAKIM.....	362	AB UYUMLULUK BİLDİRİMİNİN İÇERİĞİ.....	367

GİRİŞ

Kullanım kılavuzu

Bu kullanım kılavuzunun asıl dili İngilizcedir. Diğer dillerdeki kullanım kılavuzları İngilizceden çevrilmiştir.

Genel bakış

(Şek. 1)

1. Silindir kapağı
 2. Hava alma haznesi
 3. Ürün ve seri numarası plakası
 4. Bilgi ve uyarı etiketi
 5. Durdurma anahtarı
 6. Arka kol
 7. Yakıt tankı
 8. Çalıştırma ipi tutma yeri
 9. Çalıştırıcı muhafazası
 10. Devrilme yönü işareti
 11. Zincir yağı deposu
 12. Ön tutamak
 13. Zincir freni ve ön el koruyucusu
 14. Susturucu
 15. Testere zinciri
 16. Çubuğun ucundaki dişi
 17. Kılavuz çubuk/uç
 18. Zincir gerdirme vidası (130)
 19. Zincir gerdirme vidası (135 Mark II)
 20. Mahmuz
 21. Zincir Kısıkaçı
 22. Kavrama kapağı
 23. Sağ el koruyucu
 24. Gaz tetiği
 25. Gaz tetiği kilidi
 26. Kılavuz çubuğu kapağı
 27. Kombine alet
 28. Kullanım kılavuzu
- (Şek. 4) Onaylı baş koruma ekipmanı, kulak koruma ekipmanı ve koruyucu gözlük kullanın
- (Şek. 5) Onaylı koruyucu eldiven kullanın
- (Şek. 6) Ürün, geçerli AT Direktiflerine uygundur
- (Şek. 7) Ses gücü seviyesi
- (Şek. 8) Zincir freni, devrede değil (sol). Zincir freni, devrede (sağ)
- (Şek. 9) Jikle kontrolü
- (Şek. 10) Hava alma haznesi
- (Şek. 11) Yakıt doldurma
- (Şek. 12) Zincir yağı doldurma
- (Şek. 13) Bu ürün, geçerli ATK direktiflerine uygundur
- (Şek. 14) Bu ürün, geçerli Ukrayna direktiflerine uygundur
- (Şek. 15) Bu ürün, geçerli Kore direktiflerine uygundur
- (Şek. 16) Bu ürün, geçerli Japonya direktiflerine uygundur
- (Şek. 17) Gürültü düzeyi
- (Şek. 18) Ürünü her iki elinizle düzgün bir şekilde tutun
- (Şek. 19) Tek elle kullanmayın
- (Şek. 20) Kılavuz çubuğunun ucuna dokunmaktan kaçının
- (Şek. 21) Geri tepmeye dikkat edin
- (Şek. 22) Bu ürün, geçerli Avustralya ve Yeni Zelanda elektromanyetik uyumluluk direktiflerine uygundur.
- (Şek. 2) Uyarı
- (Şek. 3) Bu kılavuzu okuyun

Ürün üzerindeki semboller

Not: Ürünün üzerindeki diğer semboller/etiketler, diğer ticari alanların sertifikalandırma gereklilikleri ile ilgilidir.

Plan 65

(Şek. 23)

EU V



UYARI: Motorun kurcalanması bu ürünün AB tip onayını geçersiz kılar.

Ürün sorumluluğu

Ürün sorumluluğu yasalarında belirtildiği üzere;

EMNİYET

Güvenlik tanımları

Aşağıdaki tanımlar, her bir sinyal kelimesinin önem derecesini belirtir.



UYARI: Yaralanma tehlikesi.



DİKKAT: Ürünün hasar görme tehlikesi.

Not: Bu bilgiler, ürünün kullanımını kolaylaştırır.

Genel güvenlik talimatları

- Ürünü doğru şekilde kullanın. Yaralanma veya ölüm, hatalı kullanımın olası sonuçlarıdır. Ürünü, yalnızca bu kılavuzda belirtilen işler için kullanın. Ürünü başka işler için kullanmayın.
- Bu kılavuzdaki talimatları okuyun, anlayın ve bu talimatlara uyun. Güvenlik sembollerine ve güvenlik talimatlarına uyun. Operatörün talimatlara ve sembolere uymaması yaralanma, hasar veya ölümlere sonuçlanabilir.
- Bu kılavuzu atmayın. Ürününüzü monte etmek, çalıştırmak ve iyi durumda tutmak için talimatlara başvurun. Atışmanların ve aksesuarların doğru kurulumu için talimatlara başvurun. Yalnızca onaylanmış atışmanları ve aksesuarları kullanın.
- Hasarlı ürünü kullanmayın. Bakım takvimine uyun. Yalnızca bu kılavuzda ilgili talimatı bulduğunuz bakım çalışmalarını gerçekleştirin. Diğer tüm bakım işlerini onaylı bir servis merkezi yapmalıdır.
- Bu kılavuz, ürünü kullanırken oluşabilecek tüm durumları kapsayamaz. Dikkatli olun ve yaşadığınız durumu kullanın. Durumdan emin değilseniz ürünü kullanmayın veya ürün üzerinde bakım

- ürünün hatalı bir şekilde onarılması,
- ürünün, üretici tarafından onaylanmayan veya üreticiden alınmayan parçalarla tamir edilmesi,
- üründe, üreticiden alınmayan veya üretici tarafından onaylanmayan bir aksesuar bulunması,
- ve ürünün, onaylı bir servis merkezinde veya yetkili bir kurum tarafından tamir edilmemesi durumunda oluşabilecek hasarlardan sorumlu değiliz.

yapmayın. Bilgi almak için bir ürün uzmanına, bayinize, servis noktasına veya onaylı servis merkezine danışın.

- Ürünü monte etmeden, saklamadan veya ürün üzerinde bakım yapmadan önce buji kablosunun bağlantısını kesin.
- Orijinal özellikleri değiştirilmişse ürünü kullanmayın. Üreticinin onayı olmadan ürünün bir parçasını değiştirmeyin. Yalnızca üretici tarafından onaylanmış parçaları kullanın. Hatalı bakım çalışmaları, yaralanma veya ölümlere sonuçlanabilir.
- Motordan çıkan dumanları solumayın. Motorun egzoz dumanlarını, zincir yağı buharını ve talaşı uzun süre solumak sağlığınıza zarar verebilir.
- Ürünü kapalı yerlerde veya yanıcı maddelerin yakınında çalıştırmayın. Egzoz dumanları sıcaktır ve bir yangına neden olabilecek kıvılcıklar içerebilir. Yeterli hava akışı olmaması, nefessiz kalma veya karbon monoksit nedeniyle yaralanma ya da ölümlere sonuçlanabilir.
- Bu ürün çalışırken elektromanyetik bir alan oluşturur. Elektromanyetik alan, tıbbi implantlara zarar verebilir. Ürünü kullanmadan önce doktorunuzla ve tıbbi implant üreticinizle iletişime geçin.
- Ürünü, bir çocuğun kullanımına izin vermemeyin.
- Talimatlar hakkında bilgisi olmayan birinin ürünü kullanmasına izin vermemeyin.
- Fiziksel veya zihinsel kapasitesi düşük olan bir kişi ürünü kullanırken bu kişiyi daima gözetim altında tutun. Sorumluluk sahibi bir yetişkin her zaman orada olmalıdır.
- Ürünü, çocukların ve onaylanmayan kişilerin ulaşamayacağı bir yere kilitleyin.
- Ürün, nesnelere fırlatarak yaralanmaya sebep olabilir. Yaralanma veya ölüm riskini azaltmak için güvenlik talimatlarına uyun.
- Motor açıkken üründen uzaklaşmayın. Motoru durdurun ve zincirin dönmediğinden emin olun.
- Oluşabilecek kazalardan operatör sorumludur.

- Ürünü kullanmadan önce parçaların hasarlı olmadığından emin olun.
- Ulusal veya yerel yasalara uyun. Bazı koşullarda bu yasalar, ürünün kullanımını önleyebilir veya kısıtlayabilir.

Kullanım için güvenlik talimatları

- Ürünün aralıksız ya da düzenli olarak kullanılması "beyaz parmak" hastalığına veya titreşim kaynaklı benzer tıbbi sorunlara yol açabilir. Ürünü aralıksız ya da düzenli olarak kullanıyorsanız ellerinizin ve parmaklarınızın durumunu inceleyin. Ellerinizde ya da parmaklarınızda renk solması, ağrı, karıncalanma veya hissizlik varsa çalışmayı bırakın ve derhal bir doktora gidin.
- Ürünü kullanmadan önce ürünün tamamen monte edildiğinden emin olun.
- Ürün, nesnelere fırlatılmasına neden olabilir; bu durum gözlere zarar verebilir. Ürünü kullanırken daima onaylı koruyucu gözlük kullanın.
- Dikkatli olun; çalışma sırasında bir çocuk siz fark etmeden ürüne yaklaşabilir.
- Çalışma alanında insanlar varsa ürünü çalıştırmayın. Çalışma alanına biri girerse ürünü durdurun.

(Şek. 24)

- Her zaman ürünün kontrolünün sizde olduğundan emin olun.
- Ürün iki elle çalıştırılmalıdır. Ürünü tek elle kullanmayın. Motorlu testerenin tek elle kullanılması, operatörün, çalışanların, çevredekilerin veya bunların tümünün ağır yaralanmasına neden olabilir.
- Ön tutma yerini sol elinizle, arka tutma yerini sağ elinizle tutun. Ürünü vücudunuzun sağ tarafında tutun.

(Şek. 25)

- Ürünü yorgun, hasta veya alkol ya da ilaç etkisi altında olduğunuzda çalıştırmayın.
- Bir kaza oluşması durumunda yardım alamayacak durumdaysanız ürünü kullanmayın. Kullanmaya başlamadan önce diğer kişilere ürünü çalıştıracağınıza bildirin.
- Güvenlik alanında hiçbir insan veya hayvan bulunmadığından emin olmadan ürünü döndüş yapmayın.
- Çalışmaya başlamadan önce çalışma alanındaki tüm istenmeyen nesnelere kaldırın. Zincir bir nesneye çarparsa nesne fırlayabilir ve yaralanmaya veya hasara neden olabilir. İstenmeyen nesnelere, zincirin etrafına dolanabilir ve hasara neden olabilir.
- Sis, yağmur, kuvvetli rüzgar, yıldırım düşme riski gibi veya diğer kötü hava koşullarında ürünü kullanmayın. Kötü hava nedeniyle, kaygan yüzeyler gibi tehlikeli koşullar oluşabilir.
- Rahatça hareket edebildiğinizden ve dengeli bir pozisyonda çalışabildiğinizden emin olun.
- Ürünü kullanırken düşme ihtimaliniz olmadığından emin olun. Ürünü kullanırken eğilmeyin.

- Ürünü daima iki elinizle tutun. Ön tutma yerini sol elinizle, arka tutma yerini sağ elinizle tutun. Ürünü vücudunuzun sağ tarafında tutun.
- Jikle kontrolü, motor çalıştığında jikle konumundaysa zincir dönmeye başlar.
- Ürünü taşımadan önce motoru durdurun.
- Motor açıkken ürünü yere koymayın.
- Üründeki istenmeyen maddeleri almadan önce motoru durdurun. Siz veya yardımcınız kesilen malzemeleri temizlemeden önce zincirin durmasını bekleyin.
- Motorlu testereyi ağaçtayken kullanmayın. Ürünün ağaç üzerinden kullanılması yaralanmaya neden olabilir.

(Şek. 26)

- Başlatma sırasında testere zincirinin size değme riskini azaltmak için ürün çalıştırıldığında zincir freni devrede olmalıdır.

(Şek. 27)

- Ürün geri tepmesini, kaymasını, sıçramasını ve düşmesini önleyin. Bu, ciddi yaralanmayla sonuçlanabilir.
- Ciddi yaralanmayla sonuçlanabilecek geri tepme ve diğer kuvvetlerin önlenmesine yardımcı olmak için tüm güvenlik kurallarına uyun.
- Testere zincirinin gevşemediğinden emin olmak için zincir gerginliğini düzenli olarak ayarlayın. Gevşek zincir yerinden çıkabilir ve ciddi yaralanmaya veya ölüme neden olabilir.
- Ağaçları yanlış bir prosedür uygulayarak devirmeyin. Bu, kişilerin yaralanmasına, hizmet hattına çarpmasına veya mal zararına neden olabilir.
- Kesilen ağaç büyük ihtimalle yokuş aşağı yuvarlanacağı için operatörün arazinin yokuş yukarı kısmında kalması gerekir.

(Şek. 28)

- Kesim işlemine başlamadan önce kaçış yolunu planlayıp temizleyin. Kaçış yolu, beklenen düşme hattının arkasında çapraz olarak geriye doğru gitmelidir.

(Şek. 29)

- Ürünü bir ağaçtan diğerine taşımadan önce her zaman motoru durdurun.
- Ayağınızı yere sıkıca bastığınızdan ve ağırlığınızı eşit olarak dağıttığınızdan emin olun.

(Şek. 30)

- Ürünü yalnızca sağlam, sabit ve düz bir zeminde ayakta durur konumdayken ve ayaklarınız sabit haldeyken kullanın. Merdiven gibi sabit olmayan veya kaygan yüzeyler denge ya da kontrol kaybına neden olabilir.

(Şek. 31)

Geri tepme, kayma, sıçrama ve düşme

Ürünün güvenli bir şekilde kontrol edilmesini farklı güçler etkileyebilir.

- **Kayma**, kılavuz çubuğunun ağaçta hızla hareket etmesidir.
- **Sıçrama**, kılavuz çubuğunun ağaçtan ayrılarak tekrar tekrar ağaca temas etmesidir.
- **Düşme**, kesim yapıldıktan sonra ürünün yere düşmesidir. Bu, hareket eden zincirin vücudun bir kısmına veya diğer nesnelere temas etmesine neden olarak yaralanma ya da hasara yol açabilir.
- **Geri tepme**, kılavuz çubuğunun uç kısmının nesnelere değmesi ve arkaya, yukarıya veya aniden öne doğru hareket etmesidir. Geri tepme, kesim sırasında ağacın kapanıp testere zincirini sıkıştırdığında da meydana gelir. Ürünün ağaçtaki bir nesneye temas etmesi kontrol kaybıyla sonuçlanabilir. (Şek. 32)
- **Döner Geri Tepme**, hareket halindeki zincirin, kılavuz çubuğunun üst kısmındaki bir nesneye değmesiyle meydana gelebilir. Bu, zincirin nesneye gömülmesine ve hemen durmasına neden olabilir. Sonuç, kılavuz çubuğunun operatörün bulunduğu yönde yukarı ve arkaya doğru hareket etmesine neden olan çok hızlı bir ters tepkidir. (Şek. 33)
- **Sıkışma Sonucu Geri Tepme**, kesim sırasında testere zinciri aniden durduğunda meydana gelebilir. Ağaç kapanıp kılavuz çubuğunun üst kısmı boyunca hareketli testere zincirini sıkıştırır. Zincirin aniden durması zincir gücünü tersine döndürür ve ürünün zincirin dönme yönünün tersine hareket etmesine neden olur. Ürün operatörün bulunduğu yönde arkaya doğru hareket eder. (Şek. 34)
- **Çekme**, hareketli zincir kılavuz çubuğunun alt kısmı boyunca ağaç içindeki bir nesneye değip testere zinciri aniden durduğunda meydana gelebilir. Aniden durma, ürünün ileriye ve operatörden uzağa doğru çekerek operatörün kolayca kontrolü kaybetmesine neden olabilir. (Şek. 35)

Ürünü kullanmadan önce farklı güçleri ve bunların nasıl önleneceğini anladığınızdan emin olun. Bkz. *Geri tepme, kayma, sıçrama ve düşmeyi önlemek için sayfada: 358.*

Geri tepme, kayma, sıçrama ve düşmeyi önlemek için

- Motor çalışırken ürünü sıkıca tuttuğunuzdan emin olun. Sağ elinizi arka tutma yerinde ve sol elinizi ön tutma yerinde tutun. Başparmağınızı ve diğer parmaklarınızla tutma yerlerini sıkıca tutun. Bırakmayın.
- Kesim sırasında ve ağaç yere düştükten sonra ürünün kontrolünüzde olmasını sağlayın. Kesim yapıldıktan sonra ürünün ağırlığıyla aşağı düşmesine izin vermeyin.
- Kesim yaptığınız alanda engel bulunmadığından emin olun. Ürünü kullanırken kılavuz çubuğunun uç

kısmını bir kütüğe, dala veya diğer engellere değdirmeyin. (Şek. 36)

- Yüksek motor hızında kesin.
- Uzanmayın veya omuz hizasından yüksekte kesim yapmayın. (Şek. 37)
- Üreticinin testere zinciriyle ilgili bileyleme ve bakım talimatlarına uyun.
- Yalnızca üreticinin belirttiği kılavuz çubuklarını ve testere zincirlerini kullanın.
- Derinlik ölçęği çok büyük ayarlanırsa geri tepme riski artar.

Kişisel koruyucu ekipman

- Ürünü kullanırken her zaman doğru kişisel koruyucu ekipmanları kullanın. Kişisel koruyucu ekipman, kaza olursa yaralanma derecesini azaltır ancak bu olasılığı ortadan kaldırmaz.
- Testere zincirine takılabilecek bol giysiler giymeyin.
- Onaylı koruyucu baret kullanın.
- Ürünü kullanırken daima onaylı bir koruyucu kulaklık takın. Uzun süre gürültüye maruz kalmak işitme kaybına neden olabilir.
- Uçan nesnelere neden olacağı yaralanma riskini azaltmak için koruyucu gözlük veya yüz vizörü kullanın. Bu ürün, ağaç yongaları ve küçük ağaç parçaları gibi nesnelere büyük bir kuvvetle hareket etmesine neden olabilir. Bu, gözler de dahil, ciddi yaralanmayla sonuçlanabilir.
- Motorlu testere korumalı eldiven kullanın.
- Motorlu testere korumalı pantolon kullanın.
- Motorlu testere korumalı, çelik parmak uçlu ve kaymaz tabanlı botlar kullanın.
- Yakınızınızda bir ilk yardım kiti bulunduğundan emin olun.
- Susturucu, kılavuz çubuğu ve testere zincirden veya başka kaynaklardan kısılcım çıkabilir. Orman yangınlarının önlenmesine yardımcı olmak için her zaman yanınızda yangın söndürücü araçlar ve kürek bulundurun.

Ürün üzerindeki koruyucu cihazlar

- Ürünü, hasarlı koruyucu ekipmanla kullanmayın. Ürün hasar görürse onaylı bir servis merkeziyle görüşün.

Durdurma anahtarını kontrol etmek için

1. Motoru başlatın. Bkz. *Motoru çalıştırmadan önce sayfada: 361.*
2. Durdurma anahtarını durma konumuna getirdiğinizde motorun durduğundan emin olun.

Gaz tetiği kilidini kontrol etmek için

1. Gaz tetiği kilidini (A) serbest bıraktığınızda gaz tetiğinin (B) rölanti konumunda kilitlendiğinden emin olun (Şek. 38).

2. Gaz tetiđi kilidine (A) basın ve kilidi serbest bıraktığınızda ilk konumuna döndüğünden emin olun.
3. Gaz tetiđine (B) basın ve tetiđi serbest bıraktığınızda ilk konumuna döndüğünden emin olun.
4. Motoru çalıştırın ve tam gaz verin.
5. Gaz tetiđini serbest bırakın ve testere zincirinin durup durmadığını kontrol edin.
6. Gaz, rölanlı konumundayken testere zinciri dönyorsa karbüratörün rölanlı ayar vidasını inceleyin.

Siperlik

Siperlik, nesnelere operatöre doğru fırlatılmasını engeller. Ayrıca testere zincirinin yanlışlıkla operatöre deđmesini de engeller.

- Siperliđin ürünle birlikte kullanılmasına izin verildiğinden emin olun.
- Ürünü siperliksiz kullanmayın.
- Siperliđin zarar görmemiř olduđundan emin olun. Ařınımiřsa veya çatlak varsa siperliđi deđiřtirin.

Yakıt güvenliđi

- Ürünün üzerinde yakıt veya motor yađı varsa ürünü çalıştırmayın. İstenmeyen yakıtı/yađı temizleyin ve ürünün kurumasını bekleyin. Üründeki istenmeyen yakıtı temizleyin.
- Kıyafetlerinize yakıt bulařırsa kıyafetlerinizi hemen deđiřtirin.
- Vücudunuza yakıt bulařtırmayın; bu, yaralanmaya sebep olabilir. Vücudunuza yakıt bulařırsa yakıtı temizlemek için su ve sabun kullanın.
- Ürüne ya da vücudunuza yađ veya yakıt dökerseniz motoru çalıştırmayın.
- Motorda sızıntı varsa ürünü çalıştırmayın. Motorda sızıntı olup olmadığını düzenli olarak kontrol edin.
- Yakıtle uğrařırken dikkatli olun. Yakıt yanıcı ve dumanlar patlayıcıdır; yaralanmalara veya ölüme sebep olabilir.
- Yaralanmaya sebep olabileceğinden yakıt dumanını solumayın. Yeterli hava akıřı olduđundan emin olun.
- Yakıtın veya motorun yakınında sigara içmeyin.
- Yakıtın veya motorun yakınına sıcak nesnelere koymayın.
- Motor açıkken yakıt eklemeyin.
- Yakıtı yenilemeden önce motorun sođuđundan emin olun.
- Yakıtı yenilemeden önce yakıt tankı kapađını yavařça açın ve basıncı dikkatlice tahliye edin.
- Kapalı bir alanda motora yakıt eklemeyin. Nefessiz kalma veya karbon monoksit nedeniyle yeterli hava akıřının olmaması yaralanmaya veya ölüme sebep olabilir.
- Yakıt tankı kapađını dikkatlice sıkın; aksi takdirde yangın çıkabilir.

- Çalıştırmadan önce ürünü, yakıt tankını doldurduğunuz konumdan en az 3 m (10 ft) uzađa taşıyın.
- Yakıt tankına çok fazla yakıt doldurmayın.
- Ürünü veya yakıt konteynerini taşıırken sızıntı olmadıđından emin olun.
- Ürünü veya bir yakıt konteynerini açık ateřin, kıvılcımın veya pilot alevinin olduđu bir alana koymayın. Depolama alanında açık alev olmadıđından emin olun.
- Yakıtı taşıırken veya depolarken yalnızca onaylı konteynerleri kullanın.
- Ürünü uzun süre saklamadan önce yakıt tankını boşaltın. Yakıtın nereye atılacađı konusunda yerel yasalara uyun.
- Ürünü uzun süre saklamadan önce temizleyin.
- Motorun kazara çalışmasını engellemek için ürünü saklamadan önce buji kablosunu çıkarın.

Bakım için güvenlik talimatları

- Ürüne bakım yapmadan (karbüratör ayarlamaları dahil deđildir) önce bujiyi sökün.
- Ürüne uygulanan tüm servis işlemlerinin yetkili bir bayi tarafından yapılmasını sađlayın (*BAKIM sayfa: 362* bölümündeki görevler dahil deđildir).
- Gaz tetiđi bırakıldıđında testere zincirinin durduđundan emin olun.
- Tutma yerlerini kuru ve temiz tutun; üzerinde yađ veya yakıt karıřımı bulunmadıđından emin olun.
- Kapađları ve bađlama parçalarının doğru bir şekilde sıkılımiř olduđundan emin olun.
- Onaylı olmayan deđiřim bileřenleri veya güvenlik araçlarının çıkarılması ürünün hasar görmesine neden olabilir. Bu, operatörün veya çevredekilerin yaralanmasına da neden olabilir. Yalnızca önerilen aksesuarları ve yedek parçaları kullanın. Ürünü deđiřtirmeyin.
- Güvenli ve yüksek performans için testere zincirini keskin ve temiz tutun.
- Aksesuar deđiřtirme ve yađlama talimatlarına uyun.
- Üründe hasarlı parçalar olup olmadıđını kontrol edin. Ürünü daha fazla kullanmadan önce, hasarlı siperliđin veya parçanın düzgün çalıştıđından emin olun. Bozuk veya yanlış hizalanmıř ve serbest hareket etmeyen parçalar olup olmadıđını kontrol edin. Ürünün çalışmasını etkileyebilecek diđer şartları kontrol edin. Ürünün doğru bir şekilde takıldıđından emin olun. Siperlik veya diđer hasarlı parçalar, kullanım kılavuzunda aksi belirtilmedikçe yetkili bir bayi tarafından onarılmalı ya da deđiřtirilmelidir.
- Çalışmadıđı zamanlar ürünü kuru, yüksek veya çocukların erişemeyeceđi kilimli bir yerde tutun.
- Tařıma veya saklama sırasında ürünü taşımak için kılavuz çubuđu kabı veya kılıfı kullanın.
- Atık yađ kullanmayın. Atık yađ sizin için tehlikeli olabileceđi gibi, ürüne ve çevreye de zarar verebilir.

MONTAJ



UYARI: Ürünü monte etmeden önce güvenlik bölümünü okuyup anlayın.

Kılavuz çubuğunu ve testere zincirini takma

1. Montaj sırasında kazara çalışmasını önlemek için bujideki buji kapağını çıkarın. (Şek. 39) (Şek. 40)
2. Kılavuz somunlarını ve kavrama kapağını çıkarın. Taşıma koruyucusunu (A) çıkarın. (Şek. 41)
3. Kılavuz çubuğunu kılavuz civatalarının üzerine koyun. Kılavuz çubuğunu en arka konumuna yönlendirin.
4. Koruyucu motorlu testere eldivenlerini takın.
5. Testere zincirini tahrik dişlisinden yukarı kaldırın ve kılavuz çubuğundaki oluğa geçirin. Kılavuz çubuğunun üst kenarından başlayın. (Şek. 42)
6. Kesici bağlantı kenarlarının kılavuz çubuğunun üst kenarına dönük olduğundan emin olun.

7. Kavrama kapağını takın ve zincir ayarlama pimini kılavuz çubuğundaki deliğe yönlendirin.
8. Testere zincirindeki zincir dişlilerinin tahrik dişlisine doğru bir şekilde uyduğundan emin olun. Ayrıca testere zincirinin, kılavuz çubuğundaki oluğa doğru bir şekilde geçtiğinden emin olun.
9. Kılavuz çubuğu somunlarını elinizle sıkın.
10. Kombine anahtarla zincir gerdirme vidasını saat yönünde döndürerek testere zincirini sıkın. Testere zincirini kılavuz çubuğundan sarkmayacak ancak elle kolayca döndürebileceğiniz kadar sıkın. (Şek. 43) ve (Şek. 44)
11. Kılavuz çubuğunun ucunu kaldırın ve kombine anahtarla kılavuz somunlarını sıkın. (Şek. 45)
 - Yenisini taktıktan sonra testere zinciri alıştırılana kadar zincir gerginliğini kontrol edin.
 - Zincir gerginliğini düzenli olarak kontrol edin. Zincir gerginliğini düzeltmek, yüksek kesme performansı ve uzun ömürle sonuçlanır.

KULLANIM



UYARI: Ürünü kullanmadan önce güvenlik bölümünü okuyup anlayın.

Yakıtın kullanılması



DİKKAT: Bu üründe iki devirli motor bulunur. Benzin ve iki devirli motor yağı karışımı kullanın. Karışımda doğru miktarda yağ kullandığınızdan emin olun. Yanlış benzin ve yağ oranı motora zarar verebilir.

Yakıt karışımı oranı

Benzin ve iki devirli motor yağı için yakıt karışımı 50:1'dir (%2)

Benzin	İki devirli motor yağı
1 ABD Gal.	77 ml (2,6 oz)
1 BK Gal.	95 ml (3,2 oz)
5 l	100 ml (3,4 oz)

Yakıt karışımının hazırlanması

1. Doğru benzin ve motor yağı miktarını belirleyin (karışım oranı 50:1). 30 gün içinde tüketilemeyecek miktarda yakıt karışımı hazırlamayın. Bkz. *Yakıt karışımı oranı sayfa: 360.*

2. Benzin miktarının yarısını sıçratmayı önleyen supapla temiz bir yakıt konteynerine ekleyin.



DİKKAT: %10'dan fazla etanol konsantrasyonu (E10) içeren benzin kullanmayın. Bu, üründe hasara neden olabilir.



DİKKAT: Oktan numarası 90 RON (87 AKI) değerinin altında olan benzin kullanmayın. Bu, üründe hasara neden olabilir.

Not: Ürünü sık sık ve sürekli olarak yüksek motor devrinde kullanıyorsanız daha yüksek oktan numarasına sahip benzin kullanın.

3. İki devirli motor yağının tamamını yakıt konteynerine ekleyin.



DİKKAT: Her zaman hava soğutmalı, iki devirli ve yüksek kaliteli motor yağı kullanın. Diğer yağlar ürünün hasar görmesine neden olabilir.

4. İçeriğin karışması için yakıt karışımını çalkalayın.
5. Kalan benzin miktarını yakıt konteynerine ekleyin.
6. İçeriğin karışması için yakıt karışımını çalkalayın.
7. Ürünün yakıt tankını yakıt karışımıyla doldurun. Bkz. *Yakıt karışımı oranı sayfa: 360.*

Yakıt tankını doldurmak için

1. Yakıt karışımının doğru olduğundan ve supabı sıçratmayı önleyen bir yakıt konteynerinde olduğundan emin olun.
2. Konteynerde yakıt varsa istenmeyen yakıtı boşaltın ve konteynerin kurumasını bekleyin.
3. Yakıt tankı kapağının etrafındaki bölgenin temiz olduğundan emin olun.
4. Yakıt tankı kapağını çıkarın. (Şek. 46)
5. Yakıt karışımını yakıt tankına eklemeyen önce yakıt konteynerini çalkalayın.
6. Yakıt tankı kapağını tekrar yerine takın.

Testere zincirini yağlama

Ürünün otomatik yağlama sistemi vardır. Yalnızca doğru zincir yağını kullandığınızdan emin olun ve talimatlara uyun.

1. Bitkisel bazlı testere zinciri yağı veya standart bir zincir yağı kullanın.
2. Testere zinciri yağ tankının kapağının yanındaki alanın temiz olduğundan emin olun.
3. Testere zinciri yağı tankının kapağını çıkarın.
4. Testere zinciri yağ tankını tavsiye edilen zincir yağıyla doldurun.
5. Testere zinciri yağ tankının kapağını tekrar takın.

Motoru çalıştırmadan önce

- Üründe eksik, hasarlı, gevşek veya aşınmış parçalar olup olmadığını kontrol edin.
- Somun, vida ve civataları kontrol edin.
- Hava filtresini kontrol edin.
- Gaz tetiği kilidinin ve gaz kontrolünün düzgün çalışıp çalışmadığını kontrol edin.
- Durdurma düğmesinin düzgün çalışıp çalışmadığını kontrol edin.
- Üründe yakıt sızıntısı olup olmadığını kontrol edin.
- Testere zincirinin keskinlik ve gerginliğini kontrol edin.

Soğuk motoru çalıştırma

1. Zincir frenini etkinleştirmek için ön el koruyucusunu ileri hareket ettirin. (Şek. 47)
2. Jikle kontrolünü dışarı ve yukarı doğru çekin.
3. Primer ampulüne 6 kez basın. (Şek. 48)
4. Sol elinizle ürünün gövdesini zeminin üzerinde tutun. Ürünün üstüne basmayın. Biraz direnç hissedene kadar çalıştırma ipi kolunu yavaşça çekin. Daha sonra çalıştırma ipi tutacağını güçlü bir şekilde çekin. (Şek. 49)

Not: Motoru çalıştırırken gaz tetiğini çekmeyin.

5. Motor çalışana veya çalışmayı deneyene kadar çalıştırma ipi tutacağını çekmeye devam edin

(maksimum 3 kere çekin). Motor çalışırsa veya çalışmayı denerse jikle kontrolünü aşağı doğru itin. (Şek. 50)



DİKKAT: Motor durana kadar çalıştırma ipini çekmeyin. Tamamen çekilmiş durumdayken çalıştırma ipini bırakmayın. Çalıştırma ipini yavaşça serbest bırakın. Bu talimatlara uyulmaması motora zarar verebilir.

6. Motor çalışana kadar çekmeye devam edin. Motor çalıştıktan sonra gaz tetiğini çekmeden önce 60 saniye bekleyin.
7. Zincir frenini devre dışı bırakmak için ön el koruyucusunu geriye, ön tutma yerine doğru çekin.
8. Arka tutma yerini sağ elinizle, ön tutma yerini sol elinizle tutun.
9. Ürünü kullanın.

Sıcak motoru çalıştırma

1. Zincir frenini etkinleştirmek için ön el koruyucusunu ileri hareket ettirin. (Şek. 51)
2. Jikle kontrolünü dışarı ve yukarı doğru çekin.
3. Primer ampulüne 6 kez basın. (Şek. 52)
4. Jikle kontrolünü aşağı doğru itin. (Şek. 53)
5. Sol elinizle ürünün gövdesini zeminin üzerinde tutun. Ürünün üstüne basmayın. Biraz direnç hissedene kadar çalıştırma ipi kolunu yavaşça çekin. Daha sonra çalıştırma ipi tutacağını güçlü bir şekilde çekin. (Şek. 54)



DİKKAT: Motor durana kadar çalıştırma ipini çekmeyin. Tamamen çekilmiş durumdayken çalıştırma ipini bırakmayın. Çalıştırma ipini yavaşça serbest bırakın. Motorun hasar görmesini önlemek için bu talimatlara uyun.

Not: Motoru çalıştırırken gaz tetiğini çekmeyin.

6. Motor çalışana veya çalışmayı deneyene kadar çalıştırma ipi tutacağını çekmeye devam edin (maksimum 3 kere çekin). Motor çalıştıktan sonra gaz tetiğini çekmeden önce 60 saniye bekleyin.
7. Zincir frenini devre dışı bırakmak için ön el koruyucusunu ön tutma yerinin yönünde arkaya doğru çekin.
8. Arka tutma yerini sağ elinizle, ön tutma yerini sol elinizle tutun.
9. Ürünü kullanın.

Yakıt çok sıcak olduğunda motoru çalıştırmak için

Ürün çalışmazsa yakıt çok sıcak olabilir.

Not: Her zaman yeni yakıt kullanın ve sıcak havada çalışma süresini azaltın.

1. Ürünü doğrudan güneş ışığından uzakta serin bir yere koyun.
2. Ürünün en az 20 dakika soğumasını bekleyin.
3. Hava alma haznesine 10-15 saniye boyunca tekrar tekrar basın.
4. Soğuk motoru çalıştırma prosedürüne uyun. Bkz. *Soğuk motoru çalıştırma sayfa: 361.*

Motorun durdurulması

- Motoru durdurmak için durdurma anahtarına basın.

Not: Durdurma düğmesi, otomatik olarak ilk konumuna geri döner.

Mahmuz kullanmak için

Mahmuz, geri tepmeyi önler ve kestiğiniz sırada ağacı tutar. Mahmuz, motor gövdesiyle kılavuz çubuğu arasında bir hareket eksenidir.

1. Mahmuzun alt ucunu doğru eklem genişliğinde yerleştirin.
2. Sol elinizle ön tutma yerine bastırırken sağ elinizle arka tutma yerini kaldırın.
3. Doğru eklem genişliğini elde edene kadar testereyle kesin.

Not: Eklem eşit kalınlıkta olmalıdır.

4. Çapın yarısından fazlasını kesip testere kesimine devirme kamasını yerleştirin.

Ağacı devirmek için

1. Ağaçtaki toprak, taş, gevşek ağaç kabukları, çivi, zımba ve telleri çıkartın.
2. Düşme yönüne dik olarak ağaç çapının 1/3'ü oranında bir çentik açın. (Şek. 55)
3. Alt yatay çentik kesimini yapın. Bu, ikinci çentik açıldığında testere zincirinin veya kılavuz çubuğunun sıkışmasını önlemeye yardımcı olur.
4. Arkaya devirme kesliğini (X) yatay çentik kesliğinden en az 50 mm (2 inç) yükseğe yapın. Eklem olacak

kadar ağaç kalması için arkaya devirme kesliğinin yatay çentik açma kesimine paralel olmasını sağlayın. Eklemi tamamen kesmeyin. Eklem tahtası, ağacın dönerek yanlış yönde düşmesini önler. (Şek. 56) ve (Şek. 57)

5. Arkaya devirme kesliği eklemeye yaklaştıkça ağaç düşmeye başlar. Ağacın doğru yönde düşebildiğinden, arkaya doğru sallanarak testere zincirini sıkıştırmadığından emin olun. Bunu önlemek için arkaya devirme kesliği tamamlanmadan kesimi durdurun. Kesliği açmak ve ağacın gereken düşme hattı boyunca düşmesini sağlamak için tahta, plastik veya alüminyum kamalar kullanın. (Şek. 58)
6. Ağaç düşmeye başladığında, ürünü kesikten çıkarın. Motoru durdurun, ürünü yere koyun ve planlanan kaçış yolunu kullanın. Yukarıdan düşen parçalara dikkat edin ve bastığınız yere bakın. (Şek. 59)

Ağacı parçalamak için

1. Kütüğü yerden ayırmak için büyük parçalar kullanın.
2. Küçük dalları tek seferde kesin. (Şek. 60)
3. Testere zincirinin veya kılavuz çubuğunun sıkışmasını önlemek için gergin dalları alttan üste doğru kesin.

Kütük doğramak için



DİKKAT: Testere zincirinin yere değmesine izin vermeyin.

- Kütüğün boydan boya desteği varsa üst kısmından kesin (üstten doğrama olarak bilinir). (Şek. 61)
- Kütüğün bir ucunda destek varsa alt kısmından çapının 1/3'ünü kesin (alttan doğrama olarak bilinir).
- Kütüğün iki ucunda da destek varsa üstten çapın 1/3'ünü kesin. Kesliği ilk kesime temas edecek şekilde kütüğün 2/3'lük kısmını alttan doğrayarak tamamlayın. (Şek. 62)
- Eğimli bir yüzeyde kütük doğrama işlemi yapıyorsanız mutlaka kütüğün yokuş yukarı tarafında durun. Ürünün tamamen kontrolünüzde olmasını sağlayarak kütüğün tamamen kesin. Ardından, kesimin bitmesine doğru arka ve ön tutma yerlerini sıkıca tutarak kesme basıncını serbest bırakın. (Şek. 63)

BAKIM



UYARI: Ürünü temizlemeden, ürün üzerinde onarım veya bakım işlemi yapmadan önce güvenlik bölümünü okuyup anlayın.

Bakım takvimi

Bakım takvimine uyduğunuzdan emin olun. Bakım aralıkları, ürünün günlük kullanımına göre hesaplanır. Ürünü her gün kullanmıyorsanız aralıklar farklı olur.

Yalnızca bu kılavuzda bulunan bakım çalışmalarını gerçekleştirin. Bu kılavuzda bulunmayan diğer bakım çalışmaları için onaylı bir servis merkeziyle görüşün.

Günlük bakım

- Dış yüzeyleri temizleyin.
- Tetik kilidinin ve tetiğin düzgün çalıştığından emin olun.

- Zincir frenini temizleyin ve düzgün çalıştığından emin olun.
- Zincir yakalayıcıda hasar olup olmadığını kontrol edin. Hasarlıysa zincir yakalayıcıyı değiştirin.
- Eşit bir şekilde aşınması için kılavuz çubuğunu her gün çevirin.
- Kılavuz çubuğundaki yağlama deliğinin tıkalı olmadığından emin olun.
- Pinyon kapağının altından testere tozunu ve diğer istenmeyen malzemeyi alın.
- Kılavuz çubuğu oluşunu temizleyin. (Şek. 64)
- Kılavuz çubuğunun ve testere zincirinin yeterince yağlandığından emin olun.
- Testere zincirinde şunları kontrol edin:
 - perçin ve bağlantılarda çatlak.
 - düzensiz aşınmış perçin ve bağlantılar.
 - doğru gerginlik.
 - zincir tahrik bağlantılarında çapaklar.

Gerekirse testere zincirini değiştirin.

- Testere zincirini bileyin. Bkz. *Testere zincirini bileylemek için sayfada: 364.*
- Tahrik dişlisinde çok fazla aşınma olup olmadığını kontrol edin ve gerekirse değiştirin. (Şek. 65)
- Motor muhafazasının hava girişini temizleyin.
- Somun ve vidaların sıkı olduğundan emin olun.
- Güç anahtarının doğru şekilde çalıştığından emin olun.

Haftalık bakım

- Soğutma sisteminin düzgün çalıştığından emin olun.
- Marş ünitesinin, çalıştırma ipinin ve geri dönüş yayının düzgün çalıştığından emin olun.
- Titreşim azaltma elemanlarında hasar olmadığından emin olun.

(Şek. 66)

- Kılavuz çubuğunun kenarlarındaki çapakları eğyle gidirin.
- Susturucudaki kıvılcım önleyici siperliği temizleyin veya değiştirin.

(Şek. 67)

- Karbüratörün dış yüzeylerini ve yanındaki alanları temizleyin.
- Hava filtresini temizleyin. Hasarlı veya tamamen temizlenemeyecek kadar kirliyse yeni bir hava filtresi takın. Daha fazla bilgi için *Hava filtresinin temizlenmesi sayfada: 364* bölümüne bakın.

Aylık bakım

- Zincir frenindeki fren balatasında aşınma olup olmadığını kontrol edin. Fren balatasının kalınlığı, en aşınmış noktada 0,6 mm'den (0,024 inç) azsa fren balatasını değiştirin.

(Şek. 68)

- Kavrama merkezinde, kavrama tamburunda ve kavrama yayında aşınma olup olmadığını kontrol edin.
- Bujiyi temizleyin. Elektrot boşluğunun doğru olduğundan emin olun.

(Şek. 69)

- Karbüratörün dış yüzeylerini ve yanındaki alanları temizleyin.
- Yakıt filtresini ve yakıt hortumunu kontrol edin. Gerekirse değiştirin.
- Yakıt tankını boşaltın.
- Yağ tankını boşaltın.
- Tüm kabloları ve bağlantıları kontrol edin.

Yıllık bakım

- Bujiyi kontrol edin.
- Karbüratörün dış yüzeylerini ve yanındaki alanları temizleyin.
- Soğutma sistemini temizleyin.
- Kıvılcım önleyici siperliği kontrol edin.
- Yakıt filtresini kontrol edin.
- Yakıt hortumunda hasar olup olmadığını kontrol edin.
- Tüm kabloları ve bağlantıları kontrol edin.

Aralıklı bakım

- 50 çalışma saatinden sonra, onaylı bir servis merkezinde susturucunun onarılmasını veya değiştirilmesini sağlayın.
- Şu durumlarda bujiye bakım yapın:
 - motordaki güç seviyesi düşük olduğunda.
 - motor zor çalıştırıldığında.
 - motor, rölantide düzgün çalışmıyorsa.
- Her yakıt doldurduğunuzda testere zinciri yağlamasını kontrol edin. Bkz. *Testere zinciri yağlamasını kontrol etmek için sayfada: 365.*

Rölantinin ayarlanması

Rölantiyi ayarlamadan önce hava filtresinin temiz ve hava filtresi kapağının takılı olduğundan emin olun.

1. "T" işaretiyle belirlenen rölanti ayar vidasını, testere zinciri dönmeye başlayana kadar saat yönünde çevirin.
2. "T" işaretiyle belirlenen rölanti ayar vidasını, testere zinciri durana kadar saat yönünün tersine çevirin.
3. Testere zinciri dönmeye başladığında rölanti, devirden düşük olmalıdır. Motorun her konumda sorunsuz çalışması rölantinin doğru ayarlandığı anlamına gelir.

Kıvılcım önleyici siperliğin bakımı

- Kıvılcım önleyici siperliği temizlemek için bir tel fırça kullanın. (Şek. 70)

Bujiye bakım yapmak için



DIKKAT: Önerilen bujiyi kullanın. Yedek parçanın üretici tarafından sağlanan parçayla aynı olduğundan emin olun. Yanlış buji, ürüne zarar verebilir.

1. Ürünü çalıştırmak veya kullanmak zorsa bujide istenmeyen nesnelere olup olmadığını kontrol edin. Buji elektrotlarında istenmeyen nesne riskini azaltmak için:
 - a) Rölanti hızının doğru ayarlandığından emin olun.
 - b) Yakıt karışımının doğru ayarlanmış olduğundan emin olun.
 - c) Hava filtresinin temiz olduğundan emin olun.
2. Buji kirliyse bujiyi temizleyin. Elektrot boşluğunun doğru olduğundan emin olun.(Şek. 71)
3. Gerekirse bujiyi değiştirin.

Hava filtresinin temizlenmesi

1. Hava filtresi kapağını ve hava filtresini çıkarın. (Şek. 72)
2. Hava filtresini ılık, sabunlu suyla temizleyin. Takmadan önce hava filtresinin kuru olduğundan emin olun.
3. Tamamen temizlenmeyecek kadar kirlenmişse hava filtresini değiştirin. Hasar görmüş hava filtrelerini daima değiştirin.

Testere zincirini bileylemek için

Testere

Testere zincirinin kesmeye yarayan kısmına testere adı verilir ve bu parça kesme dişiyle (A) derinlik ölçeğinden (B) oluşur. Testerenin kesim derinliği, ikisinin arasındaki yükseklik farkı olan derinlik ölçeği ayarıyla (C) belirlenir.

(Şek. 73)

Bir kesme dişini bilediğinizde, hatırlamanız gereken dört önemli faktör vardır:

- Eğeleme açısı.

(Şek. 74)

- Kesme açısı.

(Şek. 75)

- Eğe konumu.

(Şek. 76)

- Yuvarlak eğe çapı.

(Şek. 77)

Kesme dişlerini bileme

Kesme dişlerini bilemek için yuvarlak bir eğe ve eğe mastarı kullanın. Ürünüze takılan testere zincirine yönelik tavsiye edilen eğe ve mastar boyutları hakkında bilgi için *Testere zinciri eđesi ve testere zinciri kombinasyonları sayfa: 367* bölümüne bakın.

(Şek. 78)

1. Testere zincirinin doğru gerginlikte olduğundan emin olun. Gerginliği doğru olmayan zincirler bir tarafa doğru hareket eder ve düzgün bir şekilde bileylenmez.
2. Bir taraftaki tüm dişlerde eğeyi kullanın. Ardından, eğeyi iç yüzdeki kesme dişlerinde kullanın ve basıncı aksi yönde azaltın.
3. Ürünü ters tarafına çevirin ve dişlerde eğeyi kullanın.
4. Eğeyi kullanarak tüm dişlerin aynı uzunlukta olmasını sağlayın. Kesme dişlerinin uzunluğu 4 mm'ye (5/32 inç) indiğinde aşınmış testere zincirini değiştirin.

Derinlik ölçeği ayarını düzenleme

Derinlik ölçeği ayarını belirlemeden önce kesme dişlerini bileyin. Bkz. *Kesme dişlerini bileme sayfa: 364*. Kesme dişini (A) bilediğinizde derinlik ölçeği ayarı (C) azalır. Optimum kesme performansının korunması için önerilen derinlik ölçeği ayarının elde edilmesi amacıyla derinlik ölçeğinin (B) eğelenmesi gerekir. Kendi zincirinize yönelik doğru derinlik ölçeği ayarını bulmak için *Testere zinciri eđesi ve testere zinciri kombinasyonları sayfa: 367* bölümüne bakın.

(Şek. 79)

(Şek. 80)

Not: Bu tavsiyede, kesme dişi uzunluğunun fazla azaltılmadığı varsayılmaktadır.

Derinlik ölçeğini ayarlamak için düz eğe ve derinlik ölçme aracı kullanın.

1. Derinlik ölçme aracını testere zincirinin üzerine koyun. Derinlik ölçme aracının ambalajında nasıl kullanılacağı hakkında kapsamlı bilgi bulabilirsiniz.
2. Derinlik ölçeğinin derinlik ölçme aracından dışarı çıkan ucunu düzeltmek için düz eğeyi kullanın. Eğeyi derinlik ölçme aracından çekerken direnç hissetmediğinizde derinlik ölçeği ayarı doğrudur.

Testere zincirin gerginliğini ayarlamak için

Not: Alıştırma döneminde yeni testere zincirinin gerginliğini sık sık kontrol edin.

1. Pinyon kapağını tutan kılavuz çubuğu somunlarını gevşetin. Kombine anahtarını kullanın. (Şek. 81)
2. Kılavuz çubuğu somunlarını elinizle mümkün olduğunca sıkın.
3. Kılavuz çubuğunun üst kısmını kaldırın ve zincir gerdirme vidasını sıkarak testere zincirini uzatın. Kombine anahtarını kullanın. Testere zincirini kılavuz çubuğunun altından sarkmayacak kadar sıkın. (Şek. 82)
4. Kombine anahtarını kullanarak kılavuz çubuğu somunlarını sıkın ve aynı anda kılavuz çubuğunun ucunu kaldırın. (Şek. 83)

5. Testere zincirini elinizle serbestçe çekerek döndürebildiğinizden ve zincirin aşağı sarkmadığından emin olun. (Şek. 84)

Kesme ekipmanını yağlamak için

Testere zinciri yağlamasını kontrol etmek için

Her yakıt doldurduğunuzda motorlu testerenin yağlamasını kontrol edin.

1. Ürünü açın ve 3/4 hızda çalıştırın. Kılavuz çubuğunun ucunu yaklaşık 20 cm (8 inç) uzaktaki açık renkli bir yüzeye doğrultun.
2. 1 dakika çalıştırdıktan sonra, açık renkli yüzeyde bir yağ hattı görülür.

3. 1 dakika sonra yağ hattını göremezseniz kılavuz çubuğunun yağ kanalını temizleyin. Kılavuz çubuğunun kenarındaki oluğu temizleyin. Kılavuz çubuğunun kılavuz makarasının serbestçe döndüğünden ve yağlama deliğinde hiçbir engel olmadığından emin olun. Uç pinyonunu temizleyin ve yağlayın.
4. Ürünü açın ve 3/4 hızda çalıştırın. Çubuğun ucunu yaklaşık 20 cm (8 inç) uzaktaki açık renkli bir yüzeye doğrultun.
5. 1 dakika çalıştırdıktan sonra, açık renkli yüzeyde bir yağ hattı görülür.
6. 1 dakika sonra yağ hattını göremezseniz yetkili bayinizle görüşün.

TAŞIMA

- Taşıma öncesinde yakıt ve zincir yağı tanklarını boşaltın. Kullanılmış sıvıları gerektiği gibi atın.
- Taşıma sırasında kesme ataşmanının üzerine kılavuz çubuğu kapağını koyun. Bu, kişilerin kazara keskin testere zincirine dokunmasını önler. Çalışmayan bir testere zinciri, keskin tarafına dokunulduğunda sizin veya başka kişilerin yaralanmasına neden olabilir.
- Taşıma öncesinde buji kapağını çıkarın ve zincir frenini etkinleştirin.
- Taşıma sırasında ürünün yerinden hareket edemediğinden emin olun.

SAKLAMA

- Çalışmadığında, ürünü her zaman güvenli bir şekilde saklayın. Üründen çıkan sızıntılar ve dumanlar; elektrikli ekipmanlar, elektrikli çim biçme makineleri, röleler/anahtarlar, kazanlar gibi kaynaklardan gelen kıvılcımlara ve çıplak alevlere temas edebilir.
- Yakıtı her zaman onaylı bir konteynerde saklayın.
- Ürün uzun bir süre depoda kalacaksa yakıt ve zincir yağı tanklarını boşaltın. Kullanılmış sıvıları gerektiği gibi atın.
- Saklama sırasında, kılavuz çubuğunun üzerine kapağını takın. Bu, kişilerin keskin testere zincirine dokunmasını önler. Çalışmayan bir testere zinciri, keskin tarafına dokunulduğunda sizin veya başka kişilerin ciddi şekilde yaralanmasına neden olabilir.
- Saklama öncesinde buji kapağını çıkarın ve zincir frenini etkinleştirin.

TEKNİK VERİLER

	birim	130 (H13038HV)	135 Mark II (H13038HV)
Motor teknik özellikleri			
Silindir hacmi	cm ³	38	38
Buji	—	NGK BPMR 7A	NGK BPMR 7A
Elektrot boşluğu	mm (inç)	0,5 (0,02)	0,5 (0,02)
Yakıt tankı hacmi	cm ³	350	350
Rölanti devri	dak ⁻¹	2800-3200	2800-3200
9000 dak ⁻¹ 'da güç çıkışı	kW	1,5	1,6
Emisyon dayanıklılığı süresi	saat	125	125
Gürültü ve titreşim verileri			

	birim	130 (H13038HV)	135 Mark II (H13038HV)
Eşdeğer titreşim seviyesi (ahv, eq), sol tutacak ¹²¹	m/sn ²	3,72	3,72
Eşdeğer titreşim seviyesi (ahv, eq), sağ tutacak ¹²²	m/sn ²	5,5	5,5
Ses gücü seviyesi, garanti edilmiş (L _{WA}) ¹²³	dB(A)	116	116
Ses gücü seviyesi, ölçülen ¹²⁴	dB(A)	114	114
Operatörün kulağındaki ses basıncı seviyesi ¹²⁵	dB(A)	102	102
Ürün boyutları			
Ağırlık (kesme donanımı hariç)	kg	4,68 (10,3)	4,68 (10,3)
Yağ deposu hacmi	cm ³	260	260
Yakıt ve yağlama sistemi			
9000 dak ⁻¹ 'da yağ pompası kapasitesi	ml/dak	9	9
Yağ pompası türü	—	Otomatik	Otomatik
Testere zinciri ve kılavuz çubuğu			
Standart kılavuz çubuğu uzunluğu	cm (inç)	35-40 (14-16)	35-40 (14-16)
Önerilen kılavuz çubuğu uzunluğu	cm (inç)	35-40 (14-16)	35-40 (14-16)
Kullanılabilir kesme uzunluğu	cm (inç)	33-38 (13-15)	33-38 (13-15)
Maksimum testere zinciri hızı	m/sn	22,3	22,3
Testere zinciri bakla açıklığı	mm (inç)	9,52 (3/8)	9,52 (3/8)
Tahrik bağlantılarının kalınlığı (kılavuz)	mm (inç)	1,3 (0,050)	1,3 (0,050)
Tahrik dişlisi tipi	—	Destek	Destek
Tahrik dişlisinin diş sayısı	—	6	6

¹²¹ Eşdeğer titreşim seviyesi, çeşitli çalışma koşullarındaki titreşim seviyeleri için zaman ağırlıklı enerji toplamı olarak hesaplanır. Eş değer titreşim seviyesi için bildirilen verilerin tipik istatistik dağılımı (standart sapması) 1,5 m/s² şeklindedir.

¹²² Eşdeğer titreşim seviyesi, çeşitli çalışma koşullarındaki titreşim seviyeleri için zaman ağırlıklı enerji toplamı olarak hesaplanır. Eş değer titreşim seviyesi için bildirilen verilerin tipik istatistik dağılımı (standart sapması) 1,5 m/s² şeklindedir.

¹²³ Çevredeki gürültü emisyonları, ses gücü (L_{WA}) olarak ölçülmüştür.

¹²⁴ Çevredeki gürültü emisyonları, ses gücü (L_{WA}) olarak ölçülmüştür.

¹²⁵ Eşdeğer ses basınç seviyesi, çeşitli çalışma koşullarında farklı ses basınç seviyeleri için zaman ağırlıklı enerji toplamı olarak hesaplanır. Eşdeğer ses basıncı seviyesi için tipik istatistik dağılımı, 2,5 dB(A) değerinde bir standart sapmadır.

AKSESUARLAR

Kılavuz çubuğu ve testere zinciri kombinasyonları

Kılavuz çubuk/uç				Testere zinciri	
Uzunluk	Aralık	Ölçek	Maksimum burun yarıçapı	Tip	Zincir dişlisi sayısı
14 inç	3/8 inç	0,050 inç	7 T	Husqvarna H37	52
16 inç				Husqvarna S93G	56

Testere zinciri eğesi ve testere zinciri kombinasyonları

Zincir türü	Yuvarlak eğe boyutu	Yan plaka açısı	Üst plaka açısı	Eğesiz kılavuz açısı	Derinlik ölçeği ayarı	Derinlik ölçeği parça no.	Eğesiz mas-tarı parça no.
H37, S93G	5/32 inç 4,0 mm	80°	30°	0°	0,025 / 0,65	5056981-03	5052437-01

AB UYUMLULUK BİLDİRİMİNİN İÇERİĞİ

Husqvarna AB, SE 561 82 Huskvarna, İSVEÇ olarak, sunulan ürünün tek sorumlusu olma vasfıyla aşağıdaki beyanlarda bulunmaktayız:

Açıklama	Benzin motorlu testere
Marka	Husqvarna
Platform / Tür / Model	130, 135 Mark II modelini temsil eden H13038HV platformu
Parti	2018 ve daha ileri tarihli seri numaraları

aşağıdaki AB direktifleri ve düzenlemeleriyle tamamen uyumludur:

Direktif/Düzenleme	Açıklama
2006/42/AT	"makinelele ilgili"
2014/30/AB	"elektromanyetik uyumlulukla ilgili"
2000/14/AT	"açık alanda gürültüyle ilgili"

Direktif/Düzenleme	Açıklama
2011/65/AB	"belirli tehlikeli maddelerin kısıtlanmasıyla ilgili"

Uygulanan uyumlaştırılmış standartlar ve/veya teknik özellikler şu şekildedir: EN ISO 12100, EN ISO 11681-1, CISPR 12, ISO 14982

2000/14/AT sayılı direktif, Ek V uyarınca, açıklanan ses değerleri bu kılavuzun teknik veriler bölümünde ve imzalı AB Uyumluluk Bildirimi'nde belirtilmiştir.

Makine Alanında Onaylanmış Kuruluş (onay numarası: 0197) TÜV Rheinland LGA Products GmbH, Tillystraße 2 - 90431 Nürnberg, Almanya; 2006/42/EC, 12. bendi 3b maddesi gereğince AT tip incelemesi yapmıştır.

Tip incelemesi sertifikası, ek IX uyarınca, imzalı Uyumluluk Bildirimi'nde sağlandığı haliyle tüm üretim yerleri ve Menşe Ülkeleri için üründe belirtildiği şekilde geçerlidir.

Bu motorlu testere AT tip incelemesinden geçmiş örneğe uygundur.

Зміст

ВСТУП.....	368	ТРАНСПОРТУВАННЯ.....	379
БЕЗПЕКА.....	369	ЗБЕРІГАННЯ.....	379
ЗБИРАННЯ.....	373	ТЕХНІЧНІ ХАРАКТЕРИСТИКИ.....	380
ЕКСПЛУАТАЦІЯ.....	374	АКСЕСУАРИ.....	381
ТЕХНІЧНЕ ОБСЛУГОВУВАННЯ.....	376	ЗМІСТ ДЕКЛАРАЦІЇ ВІДПОВІДНОСТІ ЕС.....	382

ВСТУП

Посібник користувача

Оригінальна мова посібника користувача – англійська. Посібники користувача іншими мовами є перекладами англійського оригіналу.

Огляд

(Мал. 1)

1. Кришка циліндра
2. Кнопка насоса
3. Заводська табличка із серійним номером
4. Інформаційна й попереджувальна наклейка
5. Вимикач
6. Задня ручка
7. Паливний бак
8. Рукоятка стартера
9. Корпус стартера
10. Позначка напрямку падіння
11. Масляний бак мастила для ланцюга
12. Передня рукоятка
13. Ланцюгове гальмо та передній захисний щиток
14. Глушник
15. Пилковий ланцюг
16. Зубчасте колесо вершини шини
17. Пилкова шина
18. Гвинт натягування ланцюга (130)
19. Гвинт натягування ланцюга (135 Mark II)
20. Шпичастий буфер
21. Обмежувач ланцюга
22. Кришка зчеплення
23. Правосторонній кожух
24. Курок газу
25. Елемент блокування курка газу
26. Кришка пильної шини
27. Комбінований інструмент
28. Посібник користувача

Символи на виробі

(Мал. 2) Попередження

(Мал. 3) Прочитайте цей посібник

(Мал. 4) Використовуйте сертифіковані засоби захисту голови, органів слуху та очей

(Мал. 5) Використовуйте відповідні захисні рукавиці

(Мал. 6) Виріб відповідає належним вимогам директив ЄС

(Мал. 7) Рівень звукової потужності

(Мал. 8) Гальмо ланцюга, не задіяне (ліворуч).
Гальмо ланцюга, задіяне (праворуч)

(Мал. 9) Керування заслінкою

(Мал. 10) Кнопка насоса

(Мал. 11) Заправлення

(Мал. 12) Отвір для змащення ланцюга

(Мал. 13) Виріб відповідає вимогам застосованих директив ЕАС

(Мал. 14) Виріб відповідає вимогам застосованих директив України

(Мал. 15) Виріб відповідає вимогам застосованих директив Кореї

(Мал. 16) Виріб відповідає вимогам застосованих директив Японії

(Мал. 17) Рівень шуму

(Мал. 18) Міцно тримайте виріб обома руками

(Мал. 19) Не працюйте з виробом, тримаючи його однією рукою

(Мал. 20) Уникайте контакту з верхньою частиною пильної шини

(Мал. 21) Остерігайтеся віддачі

Виріб відповідає вимогам застосованих директив Австралії й Нової Зеландії про

(Мал. 22) електромагнітну сумісність

Заява 65

(Мал. 23)

ЄС V



ПОПЕРЕДЖЕННЯ: Внесення змін у двигун позбавляє чинності сертифікацію ЄС для цього виробу.

Відповідальність за якість продукції

Відповідно до законів про відповідальність за якість продукції ми не несемо відповідальності за будь-які

Зверніть увагу: Інші позначення на виробі відповідають вимогам спеціальних сертифікатів для інших торгових зон.

пошкодження, спричинені роботою наших виробів, якщо:

- виріб був неправильно відремонтований;
- виріб був відремонтований із використанням деталей, виготовлених не виробником або не затверджених ним;
- виріб обладнаний аксесуаром, виготовленим не виробником або не затвердженим ним;
- виріб був відремонтований у неавторизованому сервісному центрі або неавторизованою компанією;

БЕЗПЕКА

Визначення щодо безпеки

Визначення, наведені нижче, пояснюють рівень серйозності кожного сигнального слова.



ПОПЕРЕДЖЕННЯ: Небезпека травми для людини.



УВАГА: Небезпека пошкодження виробу.

Зверніть увагу: Ця інформація спрощує використання виробу.

Загальні правила техніки безпеки

- Використовуйте виріб правильно. Неправильне використання може призвести до травм або смерті. Використовуйте виріб лише для завдань, перелічених у цьому посібнику. Забороняється використовувати продукт для інших завдань.
- Уважно прочитайте інструкції, наведені в цьому посібнику, і дотримуйтеся їх. Дотримуйтеся інструкцій, зазначених на попереджувальних знаках та в правилах техніки безпеки. Недотримання оператором інструкцій, зазначених на попереджувальних знаках та в правилах техніки безпеки, може призвести до травм, пошкоджень або смерті.
- Не викидайте цей посібник. Користуйтеся інструкціями для монтажу, експлуатації та підтримки виробу в задовільному стані. Користуйтеся інструкціями для правильного встановлення насадок та приладдя. Використовуйте лише сертифіковані насадки та приладдя.
- Не користуйтеся пошкодженим виробом. Дотримуйтеся графіка технічного обслуговування. Виконуйте лише те обслуговування, для якого наведені інструкції в цьому посібнику. Все інше обслуговування повинне виконуватися в авторизованому сервісному центрі.
- Цей посібник не включає всі ситуації, що можуть статися під час використання виробу. Будьте обережні та дотримуйтеся здорового глузду. Не експлуатуйте виріб та не виконуйте технічне обслуговування в разі, якщо ви не можете розібратися в поточній ситуації. Більш детальну інформацію можна дізнатися в експерта з продукції, вашого дилера, центрі обслуговування або в авторизованому сервісному центрі.
- Перед монтажем, зберіганням або технічним обслуговуванням необхідно виймати свічку запалювання.
- Не використовуйте виріб у разі зміни його початкових технічних характеристик. Не замінюйте деталі виробу без дозволу виробника. Використовуйте лише сертифіковані виробником деталі. Неправильне технічне обслуговування може призвести до травм або смерті.
- Не вдихайте вихлопні гази, що виходять з двигуна. Вдихання вихлопних димів двигуна, аерозолі оливи для ланцюга й тирси протягом тривалого часу може бути небезпечним для здоров'я.
- Не вмикайте виріб у приміщенні чи біля легкозаймистих матеріалів. Вихлопні гази мають високу температуру та можуть містити іскри, від

яких можливе загоряння. Недостатнє провітрювання може призвести до травм або смерті внаслідок душення чи отруєння монооксидом вуглецю.

- Під час роботи цього виробу утворюється електромагнітне поле. Електромагнітне поле може пошкодити медичні імплантати. Перш ніж працювати з цим приладом, проконсультуйтеся з лікарем і виробником медичного імплантату.
- Не давайте використовувати прилад дітям.
- Не давайте використовувати прилад особам, що не ознайомилися з інструкціями.
- Завжди наглядуйте за особами з обмеженими фізичними чи розумовими можливостями, що використовують виріб. Біля виробу, що працює, повинна завжди знаходитися відповідальна доросла особа.
- Зачиняйте виріб у місці, куди не зможуть отримати доступ діти та особи без належної підготовки.
- З під виробу можуть викидатися предмети, що може призвести до травм. Для зменшення ризику травм або смерті дотримуйтеся правил техніки безпеки.
- Не відходьте далеко від працюючого виробу. Зупиніть двигун і переконайтеся, що ланцюг не обертається.
- У разі нещасного випадку відповідальність несе оператор.
- Перед використанням виробу переконайтеся, що його деталі не мають пошкоджень.
- Дотримуйтеся державного та місцевого законодавства. Норми законодавства можуть забороняти або обмежувати використання виробу в деяких умовах.

Правила техніки безпеки під час використання виробу

- Тривала або регулярна робота з виробом може призвести до синдрому білих пальців або іншим хворобам через вібрацію. У разі тривалої або регулярної експлуатації виробу перевіряйте стан своїх рук та пальців. Якщо колір ваших рук або пальців змінився, ви відчуваєте в них біль, поколювання або оніміння, припиніть роботу та негайно зверніться до лікаря.
- Перед використанням переконайтеся, що виріб повністю змонтований.
- З-під виробу можуть викидатися предмети, що може призвести до пошкодження очей. Під час експлуатації виробу завжди користуйтеся відповідними засобами захисту очей.
- Будьте обережні, адже під час експлуатації виробу до вас може без дозволу підійти дитина.
- Не використовуйте виріб, якщо на робочій ділянці знаходяться люди. Зупиніть виріб у разі, якщо на робочу ділянку зайшла особа.

(Мал. 24)

- Завжди контролюйте місце знаходження виробу.
- Під час роботи виріб слід тримати обома руками. Не працюйте з виробом, тримаючи його однією рукою. Це може призвести до серйозної травми оператора, робітників чи сторонніх осіб.
- Тримайте передню ручку лівою рукою, а задню – правою. Тримайте виріб праворуч від вашого тіла.

(Мал. 25)

- Не використовуйте виріб, якщо ви втомлені, хворі чи перебуваєте під впливом алкоголю або інших наркотичних речовин.
- Не використовуйте виріб, якщо немає змоги отримати допомогу в разі нещасного випадку. Перед початком експлуатації виробу повідомте про це оточуючим.
- Не обертайтеся разом з виробом, доки не переконаєтеся, що люди або тварини знаходяться в безпечній зоні.
- Перед початком роботи приберіть всі непотрібні предмети з робочої ділянки. Якщо ланцюг натрапить на якийсь предмет, він може відлетіти й призвести до травм або пошкоджень. Непотрібні предмети можуть намотатися на ланцюг і призвести до пошкоджень.
- Не користуйтеся виробом у погану погоду, наприклад у разі туману, дощу, сильного вітру, якщо є ризик виникнення блискавки або за інших несприятливих погодних умов. Погана погода може стати причиною небезпечних умов роботи, таких як слизькі поверхні.
- Переконайтеся, що ви можете вільно переміщуватися та працювати, зберігаючи стабільне положення.
- Переконайтеся, що під час використання виробу ви не впадете. Не нахиляйтеся під час експлуатації виробу.
- Завжди утримуйте виріб обома руками. Тримайте передню ручку лівою рукою, а задню – правою. Тримайте виріб праворуч від вашого тіла.
- Якщо в момент запуску двигуна важіль заслінки знаходиться в положенні заслінки, ланцюг почне обертатися.
- Перед переміщенням виробу зупиняйте двигун.
- Не кладіть працюючий виріб на землю.
- Перш ніж видалити сторонні матеріали з виробу, зупиніть двигун. Дочекайтеся зупинки ланцюга перед тим як ви або ваш помічник почнете прибирати зрізаний матеріал.
- Забороняється користуватися виробом на дереві. Використання виробу на дереві може призвести до травмування.

(Мал. 26)

- Під час запуску виробу гальмо ланцюга має бути задіяне, адже це зменшує ризик торкання ланцюга пилки.

(Мал. 27)

- Уникайте відсакування, зісковзування, підстрибування й падіння пилки, адже це може призвести до серйозної травми.
- Щоб попередити відсакування та інші рухи, що можуть призвести до серйозної травми, дотримуйтеся інструкцій техніки безпеки.
- Регулярно регулюйте натяг ланцюга пилки, щоб вона не послаблювалася. Ненапрягнутий ланцюг пилки може зісковзнути та спричинити серйозні або смертельні травми.
- Завжди дотримуйтеся правильної процедури звальювання дерев. Інакше це може призвести до травмування, пошкодження ліній електроживлення чи майна.
- Оператор має знаходитися вище по схилу від дерева, оскільки звалене дерево ймовірно покотиться або зісковзне вниз після повалення.

(Мал. 28)

- Перед початком роботи завжди чітко визначайте шлях відходу. Шлях відходу повинен розширятися за діагоналлю у напрямку, протилежному лінії падіння дерева.

(Мал. 29)

- Перш ніж переміщувати виріб між деревами, завжди вимикайте двигун.
- Переконайтеся, що ви міцно стоїте на ногах і рівномірно розподіляєте свою вагу.

(Мал. 30)

- Завжди обирайте належну точку опори та працюйте з виробом лише тоді, коли стоїте на нерухомій, безпечній та рівній поверхні. Стоячи на слизькій або нестійкій поверхні, наприклад, на драбині, можна втратити рівновагу або контроль.

(Мал. 31)

Відсакування, зісковзування, підстрибування й падіння

На безпечне керування виробом можуть впливати різні сили.

- **Зісковзування** – швидкий рух пильної шини вздовж дерева.
- **Відстрибування** виникає, коли пильна шина відривається від дерева та торкається його знову й знову.
- **Падіння** – падіння виробу після виконання розрізу. Це може призвести до контакту ланцюга, що рухається, із частиною тіла чи іншими предметами й спричинити травми або пошкодження.
- **Відсакування** – рух пильної шини у зворотному напрямку, угору чи різко вперед після контакту з предметом. Відсакування також відбувається, коли деревина заклинює й защемляє ланцюг пилки під час різання. Причиною втрати контролю може бути торкання виробом якогось предмета в деревині. (Мал. 32)

- **Обертальне відсакування** виникає, коли ланцюг у русі торкається предмета у верхній частині пильної шини. Це може призвести до заглиблення ланцюга в предмет і його негайної зупинки. У результаті виникає швидка зворотна реакція й пильна шина рухається вгору у зворотному напрямку, до оператора. (Мал. 33)
- **Відсакування через защемлення** виникає, коли ланцюг пилки різко зупиняється під час різання. Деревина заклинює й защемляє ланцюг пилки, що рухається, уздовж верхньої частини пильної шини. Раптова зупинка ланцюга змінює напрямок сили інерції й призводить до руху виробу в напрямку, протилежному до напрямку обертання ланцюга. Виріб рухається у зворотному напрямку, до оператора. (Мал. 34)
- **Затягування** виникає, коли ланцюг, що рухається, торкається якогось предмета в деревині вздовж нижньої частини пильної шини й ланцюг пилки різко зупиняється. Внаслідок раптової зупинки виріб рухається вперед, від оператора, що може легко призвести до втрати контролю над виробом. (Мал. 35)

Переконайтеся, що ви зрозуміли принцип дії різних сил та як їх попередити, перш ніж працювати з виробом. Див. *Як попередити відсакування, зісковзування, підстрибування й падіння на сторінці 371.*

Як попередити відсакування, зісковзування, підстрибування й падіння

- Міцно тримайте виріб, коли двигун працює. Права рука має бути на задній ручці, ліва – на передній. Міцно охоплюйте ручки усіма пальцями. Не відпускайте виріб.
- Тримайте виріб під контролем під час різання й після того, як дерево впаде на землю. Утримуйте виріб, щоб він не впав під дією власної ваги після завершення різання.
- Переконайтеся, що на робочій ділянці немає перешкод. Слідкуйте, щоб передня частина пильної шини не торкалася стовбура, гілок чи інших перешкод під час роботи. (Мал. 36)
- Виконуйте різання на високій частоті обертання двигуна.
- Не тягніться, щоб виконати різання, і не різте на рівні вище плеча. (Мал. 37)
- Технічне обслуговування й нагострювання ланцюга пилки слід виконувати згідно з інструкціями виробника.
- За необхідності заміни пильної шини або ланцюга пилки слід установлювати лише деталі, зазначені виробником.

- Небезпека відсакування збільшується, якщо глибиною встановлено надто високо.

Засоби індивідуального захисту

- Під час експлуатації виробу завжди використовуйте відповідні засоби індивідуального захисту. Засоби індивідуального захисту знижують ступінь серйозності травми в разі нещасного випадку, але вони не здатні повністю усунути небезпеку.
- Не надягайте просторий одяг, який може зачепитися за ланцюг пилки.
- Використовуйте затверджений захисний шолом.
- Під час експлуатації виробу завжди користуйтеся відповідними засобами захисту органів слуху. Тривалий вплив шуму може призвести до втрати слуху.
- Щоб зменшити небезпеку травми від предметів, що відлітають, використовуйте захисні окуляри або захисну маску. Такі предмети, як тирса й невеликі шматки деревини, можуть відлітати з високою швидкістю внаслідок роботи виробу. Це може призвести до серйозної травми, у тому числі травми очей.
- Використовуйте рукавиці із захистом від ланцюгових пилок.
- Використовуйте штани із захистом від ланцюгових пилок.
- Використовуйте черевики із захистом від ланцюгових пилок, зі сталевими носками й неслизькою підшоивою.
- Переконайтеся, що поряд є набір засобів для надання першої медичної допомоги.
- Від глушника, пильної шини, ланцюга пилки чи інших деталей можуть відлітати іскри. Поблизу завжди мають бути засоби гасіння пожежі й лопата для запобігання лісовим пожежам.

Захисні засоби на пристрої

- Не використовуйте виріб з пошкодженням захисним спорядженням. У разі пошкодження виробу, зверніться до авторизованого сервісного центру.

Перевірка вимикача

1. Запустіть двигун. Див. *Перед запуском двигуна на сторінці 375*.
2. Переконайтеся, що двигун вимикається, коли ви переводите вимикач у позицію зупинки.

Перевірка елемента блокування курка газу

1. Переконайтеся, що після відпускання елемента блокування курка газу (А) курок (В) фіксується в нейтральному положенні (Мал. 38).
2. Натисніть на елемент блокування курка газу (А) та переконайтеся, що він повертається до початкового положення, коли ви відпускаєте його.

3. Натисніть на курок газу (В) та переконайтеся, що він повертається до початкового положення, коли ви відпускаєте його.
4. Запустіть двигун та повністю натисніть важіль дроселя.
5. Відпустіть курок газу й перевірте, чи зупинився ланцюг пилки.
6. Якщо важіль встановлено в нейтральне положення, а ланцюг пилки продовжує обертатися, перевірте гвинт регулювання холостого ходу карбюратора.

Захисний кожух

Кожухи захищають від викидання предметів у напрямку оператора. Кожух також захищає оператора від випадкового контакту з ланцюгом пилки.

- Переконайтеся, що захисний кожух підходить до виробу.
- Не використовуйте виріб без захисного кожуха.
- Перевірте захисний кожух на відсутність пошкоджень. Замініть захисний кожух, якщо він зношений або пошкоджений.

Заходи безпеки при заправці палива

- Не запускайте виріб, якщо на ньому залишилися пальне або моторна олива. Приберіть непотрібне пальне/оливу та дайте виробу просохнути. Приберіть непотрібне пальне з виробу.
- Якщо ви пролили пальне на свій одяг, негайно переодягніться.
- Не допускайте потрапляння пального на тіло, адже це може призвести до травм. Для видалення пального, що потрапило на тіло, використовуйте мило та воду.
- Не запускайте двигун у разі потрапляння оливи або пального на виріб або тіло.
- Не запускайте виріб у разі наявності протікання у двигуні. Регулярно перевіряйте двигун на протікання.
- Будьте обережні при поводженні з паливом. Пальне є легкозаймистою речовиною, а його пари вибухонебезпечні та можуть призвести до травм або смерті.
- Не вдихайте вихлопні гази, це може призвести до травм. Забезпечте належне провітрювання.
- Не паліть біля пального або двигуна.
- Не кладіть біля пального або двигуна теплі предмети.
- Не доливайте пальне в працюючий виріб.
- Перед заправленням переконайтеся, що двигун охолонув.
- Перед заправленням повільно відкрийте кришку паливного бака, обережно зменшивши тиск.
- Не заправляйте виріб у приміщенні. Недостатнє провітрювання може призвести до травм або смерті.

- смерті внаслідок задухи чи отруєння монооксидом вуглецю.
- Обережно затягуйте кришку паливного бака, адже існує ризик виникнення пожежі.
- Перед запуском пересуньте виріб на 3 м від місця, де ви заправляли його.
- Не заливайте в паливний бак занадто багато палива.
- Переконайтеся у відсутності ризику протікань під час переміщення виробу або ємності для пального.
- Не залишайте виріб або ємність для пального біля відкритого вогню, джерела іскор або запальника. Переконайтеся, що в зоні зберігання відсутні джерела відкритого вогню.
- Під час переміщення або зберігання палива користуйтеся лише сертифікованими ємностями.
- Спустошуйте паливний бак перед тривалим зберіганням. Дотримуйтеся місцевого законодавства щодо утилізації пального.
- Очищуйте виріб перед тривалим зберіганням.
- Щоб двигун випадково не запустився, перед зберіганням необхідно зняти кабель свічки запалювання.

Правила техніки безпеки під час обслуговування

- Перед виконанням технічного обслуговування виробу, за виключенням регулювання карбюратора, від'єднуйте свічку запалювання.
- Усі роботи з обслуговування, за виключенням зазначених на *ТЕХНІЧНЕ ОБСЛУГОВУВАННЯ на сторінці 376*, має виконувати уповноважений дилер.
- Відпускаючи курок газу, переконайтеся, що ланцюг пилки зупинений.

- Слідкуйте, щоб ручки залишалися сухими, чистими й незабрудненими оливою або паливною сумішшю.
- Кришки й кріплення мають бути надійно затягнуті.
- Використання незатверджених замічних частин і відсутність механізмів безпеки може призвести до пошкодження виробу. Це може також призвести до травмування оператора чи сторонніх осіб. Використовуйте лише рекомендовані аксесуари й запчастини. Не змінюйте виріб.
- Для безпечної роботи й високої ефективності ланцюг пилки має бути гострим і чистим.
- Дотримуйтеся інструкцій щодо змащування й заміни аксесуарів.
- Перевіряйте виріб на наявність пошкоджених деталей. Перед подальшим використанням виробу переконайтеся, що пошкоджений захисний кожух чи деталь працює належним чином. Оглядайте виріб на наявність зламаних чи неправильно підігнаних деталей і деталей, що рухаються не достатньо вільно. Переконайтеся, що виріб у гарному стані й ніщо не може вплинути на його роботу. Переконайтеся, що виріб правильно встановлено. Захисний кожух чи іншу пошкоджену деталь має відремонтувати чи замінити уповноважений дилер, якщо інше не зазначено в посібнику користувача.
- Зберігайте виріб у сухому місці, яке закривається або знаходиться на висоті, щоб туди не могли дістатися діти.
- У разі транспортування чи зберігання перед переміщенням виробу встановлюйте на пильну шину кришку або надягайте на неї кожух.
- Не використовуйте відпрацьовану оливу. Відпрацьована олива може завдати шкоди здоров'ю чи навколишньому середовищу й призвести до пошкодження виробу.

ЗБИРАННЯ



ПОПЕРЕДЖЕННЯ: Перед збиранням виробу уважно прочитайте розділ про правила техніки безпеки.

Збирання пильної шини й ланцюга пилки

- Щоб попередити ненавмисний запуск, зніміть ковпак зі свічки запалювання перед збиранням. (Мал. 39) (Мал. 40)
- Відкрутіть гайки шини та зніміть кришку зчеплення. Зніміть запобіжник для транспортування (А). (Мал. 41)
- Установіть пильну шину над болтами шини. Установіть пильну шину в максимальне заднє положення.

- Надягніть рукавиці із захистом від ланцюгової пилки.
- Підніміть ланцюг пилки над приводною зіркою й зчепіть його в канавці на пильній шині. Починяйте з верхнього краю пильної шини. (Мал. 42)
- Переконайтеся, що краї різальних ланок на верхньому краї пильної шини спрямовані вперед.
- Установіть кришку зчеплення та вставте шип натягування ланцюга в отвір на пильній шині.
- Переконайтеся, що приводні ланки ланцюга пилки правильно розташовані на приводній зірочці. Також переконайтеся, що ланцюг пилки правильно зчеплено в канавці на пильній шині.
- Затягніть гайки пильної шини пальцями.
- Натягніть ланцюг пилки, повернувши гвинт натягування ланцюга за годинниковою стрілкою за допомогою комбінованого ключа. Натягуйте

ланцюг пилки, доки провисання під пильною шиною не зникне, але ви все ще зможете повертати ланцюг рукою. (Мал. 43) і (Мал. 44)

11. Підніміть кінець пильної шини й затягніть гайки шини за допомогою комбінованого ключа. (Мал. 45)

- Після збирання нового ланцюга пилки слід часто перевіряти його натяг, доки ланцюг не буде встановлено належним чином.

- Регулярно перевіряйте натяг ланцюга. Правильний натяг ланцюга забезпечує високу продуктивність різання й тривалий строк служби.

ЕКСПЛУАТАЦІЯ



ПОПЕРЕДЖЕННЯ: Перед використанням виробу уважно прочитайте розділ про правила техніки безпеки.

Використання палива



УВАГА: Цей виріб оснащений двотактним двигуном. Використовуйте суміш бензину та моторної оливи для двотактних двигунів. Для суміші використовуйте правильну кількість оливи. Невірне співвідношення бензину та оливи може призвести до пошкодження двигуна.

Пропорції компонентів паливної суміші

Співвідношення бензину й моторної оливи для двотактних двигунів у паливній суміші складає 50:1 (2 %).

Бензиновий двигун	Двотактна моторна олива
1 амер. гал.	77 мл (2,6 унції)
1 брит. гал.	95 мл (3,2 унції)
5 л	100 мл (3,4 унції)

Створення паливної суміші

1. Визначте правильний об'єм бензину й моторної оливи (пропорції змішування 50:1). Не змішуйте об'єм суміші, яку не зможете використати протягом 30 днів. Див. *Пропорції компонентів паливної суміші на сторінці 374.*
2. Влийте половину об'єму бензину в чистий паливний бак із клапаном запобігання витоку.



УВАГА: Не використовуйте бензин із концентрацією етанолу більше 10% (E10). Це може призвести до пошкодження виробу.



УВАГА: Не використовуйте бензин із октановим числом нижче 90 RON (87

AKI). Це може призвести до пошкодження виробу.

Зверніть увагу: У разі частого використання виробу з високою частотою обертання двигуна, необхідно використовувати бензин з вищим октановим числом.

3. Влийте всю необхідну моторну оливу для двотактних двигунів у паливний бак.



УВАГА: Завжди використовуйте моторну оливу для двотактних двигунів високої якості з повітряним охолодженням. Використання інших оливи може призвести до пошкодження виробу.

4. Збовтайте паливну суміш для змішування компонентів.
5. Влийте решту бензину в паливний бак.
6. Збовтайте паливну суміш для змішування компонентів.
7. Заправте паливний бак виробу паливною сумішшю. Див. *Пропорції компонентів паливної суміші на сторінці 374.*

Заправлення паливного бака

1. Переконайтеся, що паливна суміш правильна й що вона знаходиться в паливному баку з клапаном запобігання витоку.
2. Якщо на баку є паливо, витріть його й дайте баку просохнути.
3. Переконайтеся, що область навколо кришки паливного бака чиста.
4. Зніміть кришку паливного бака. (Мал. 46)
5. Перед додаванням паливної суміші в паливний бак збовтайте ємність з паливом.
6. Закрийте паливний бак кришкою.

Змащування ланцюга пили

Виріб обладнано системою автоматичного змащування. Використовуйте лише правильну оливу для ланцюга й дотримуйтесь інструкцій.

1. Використовуйте рослинну олію або стандартну оливу для ланцюга.
2. Поверхня біля кришки бака для оливи ланцюга пилки має бути чистою.
3. Зніміть кришку бака для оливи ланцюга пилки.
4. Залийте в бак для оливи ланцюга пилки рекомендовану оливу для ланцюга.
5. Закрийте бак для оливи ланцюга пилки кришкою.

Перед запуском двигуна

- Перевірте виріб на предмет відсутніх, пошкоджених, розхитаних або зношених деталей.
- Перевірте гайки, гвинти та болти.
- Перевірте повітряний фільтр.
- Перевірте правильність роботи елемента блокування курка газу та керування газом.
- Перевірте правильність роботи вимикача.
- Перевірте виріб на наявність витоків палива.
- Перевірте гостроту й натяг ланцюга пилки.

Запуск холодного двигуна

1. Зсуньте передній захисний щиток уперед, щоб задіяти гальмо ланцюга. (Мал. 47)
2. Потягніть важіль заслінки назовні й угору.
3. Натисніть кнопку насоса 6 разів. (Мал. 48)
4. Лівою рукою притисніть корпус виробу до землі. Не наступіть на виріб. Повільно потягніть за ручку троса стартера доки не відчуєте спротив. Після цього силою потягніть за ручку троса стартера. (Мал. 49)

Зверніть увагу: Не тягніть курок газу під час запуску двигуна.

5. Продовжуйте тягнути за ручку троса стартера доки двигун не запуститься або не намагатиметься запуститися (макс. 3 рази). Якщо двигун запускається або намагається запуститися, натисніть на важіль повітряної шторки вниз. (Мал. 50)



УВАГА: Не тягніть трос стартера, доки виріб не зупиниться. Не відпускайте трос стартера, коли він повністю витягнутий. Відпускайте трос стартера повільно. Невиконання цих інструкцій може призвести до пошкодження двигуна.

6. Продовжуйте тягнути доки двигун не запуститься. Після запуску почекайте 60 секунд, а потім натисніть на курок газу.
7. Потягніть передній захисний щиток назад до передньої ручки, щоб вимкнути гальмо ланцюга.
8. Візьміть задню ручку правою рукою, а передню – лівою.
9. Виріб готовий до роботи.

Запуск теплового двигуна

1. Зсуньте передній захисний щиток уперед, щоб задіяти гальмо ланцюга. (Мал. 51)
2. Потягніть важіль заслінки назовні й угору.
3. Натисніть кнопку насоса 6 разів. (Мал. 52)
4. Натисніть на важіль заслінки. (Мал. 53)
5. Лівою рукою притисніть корпус виробу до землі. Не наступіть на виріб. Повільно потягніть за ручку троса стартера доки не відчуєте спротив. Після цього силою потягніть за ручку троса стартера. (Мал. 54)



УВАГА: Не тягніть трос стартера, доки виріб не зупиниться. Не відпускайте трос стартера, коли він повністю витягнутий. Відпускайте трос стартера повільно. Дотримуйтеся цієї інструкції, щоб попередити пошкодження двигуна.

Зверніть увагу: Не тягніть курок газу під час запуску двигуна.

6. Продовжуйте тягнути за ручку троса стартера доки двигун не запуститься або не намагатиметься запуститися (макс. 3 рази). Після запуску почекайте 60 секунд, а потім натисніть на курок газу.
7. Потягніть передній захисний щиток назад, у напрямку передньої ручки, щоб вимкнути гальмо ланцюга.
8. Візьміть задню ручку правою рукою, а передню – лівою.
9. Виріб готовий до роботи.

Запуск двигуна з надто гарячим паливом

Якщо двигун не запускається, паливо може бути надто гарячим.

Зверніть увагу: Завжди використовуйте нове паливо й зменшуйте тривалість роботи за теплої погоди.

1. Покладіть виріб у прохолодне місце, подалі від прямих сонячних променів.
2. Зачекайте принаймні 20 хвилин, доки виріб охолоне.
3. Натискайте кнопку насоса знову й знову протягом 10–15 секунд.
4. Виконайте процедуру запуску холодного двигуна. Див. *Запуск холодного двигуна на сторінці 375.*

Зупинення

- Для зупинки двигуна натисніть вимикач.

Зверніть увагу: Вимикач автоматично повертається до початкового положення.

Використання шпичастого буфера

Шпичастий буфер запобігає відсакаванню й утримує деревину, що ви ріжете. Шпичастий буфер розташований між корпусом двигуна й пильною шиною.

1. Уставте нижній кінець шпичастого буфера на належну ширину недопила.
2. Натискайте на передню ручку лівою рукою, одночасно піднімаючи задню ручку правою.
3. Пиляйте, доки не отримаєте належну ширину недопила.

Зверніть увагу: Недопил повинен бути однакової товщини.

4. Розріжте більше половини діаметра дерева, а потім уставте в проріз валочний клин.

Звалювання дерева

1. Видаліть бруд, каміння, опалу кору, цвяхи, скоби й дріт із того місця на дереві, в якому воно розрізатиметься.
2. Зробіть надріз на 1/3 діаметра дерева перпендикулярно до лінії падіння. (Мал. 55)
3. Зробіть нижній горизонтальний надріз. Це запобігає затисканню ланцюга пилки чи пильної шини під час виконання другого надрізу.
4. Зробіть валочний пропил із протилежної сторони (X) глибиною принаймні 50 мм вище горизонтального надрізу. Робіть валочний пропил із протилежної сторони паралельно горизонтальному надрізу, так щоб залишилося достатньо деревини, що слугуватиме шарніром. Не ріжте кризу недопил. Недопил запобігає скручуванню дерева й падінню в неправильному напрямку. (Мал. 56) і (Мал. 57)
5. Коли валочний пропил із протилежної сторони наближається до недопила, дерево починає падати. Переконайтеся, що дерево впаде в

правильному напрямку й не відхилиться назад і не затисне ланцюг пилки. Щоб попередити це, припиніть різання до завершення валочного пропилю з протилежної сторони. Використовуйте дерев'яні, пластикові або алюмінієві клини, щоб розкрити пропил і звалити дерево в потрібному напрямку. (Мал. 58)

6. Коли дерево починає падати, вийміть виріб із пропилю. Зупиніть двигун, опустіть виріб і скористайтеся запланованим шляхом відходу. Стережіться гілок, що можуть падати зверху, і двіться під ноги. (Мал. 59)

Обрізання гілок

1. Використовуйте більші гілки для утримання стовбура над землею.
2. Обрізуйте невеликі гілки одним рухом. (Мал. 60)
3. Обрізуйте гілки під натягом знизу вгору, щоб попередити затискання ланцюга пили чи пильної шини.

Розкрязування стовбура



УВАГА: Ланцюг пилки не повинен торкатися землі.

- Якщо стовбур має опори по всій довжині, розрізайте, починаючи з верхньої частини стовбура (розкрязування зверху). (Мал. 61)
- Якщо стовбур має опору з одного кінця, зробіть розріз на 1/3 діаметра знизу стовбура (розкрязування знизу).
- Якщо стовбур має опору з двох кінців, зробіть розріз на 1/3 діаметра зверху стовбура. Зробіть розріз на 2/3 діаметра знизу стовбура, щоб досягти лінії першого розрізу. (Мал. 62)
- Якщо ви розрізаєте стовбур на схилі, завжди стійте вище по схилу від стовбура. Розрізайте стовбур, тримаючи виріб під повним контролем. Потім зменште тиск на пилку біля кінця прорізу, міцно тримаючи задню й передню ручки. (Мал. 63)

ТЕХНІЧНЕ ОБСЛУГОВУВАННЯ



ПОПЕРЕДЖЕННЯ: Перед очищенням, ремонтуванням чи технічним обслуговуванням уважно прочитайте розділ про правила техніки безпеки.

Графік технічного обслуговування

Завжди дотримуйтеся графіка технічного обслуговування. Інтервали вираховуються з урахуванням щоденного використання виробу. Значення інтервалів буде іншим, якщо ви не використовуйте виріб щоденно. Виконуйте лише те

обслуговування, яке описане в цьому посібнику. Інформацію щодо інших видів обслуговування, наведених у цьому посібнику, можна отримати в авторизованому сервісному центрі.

Щоденне технічне обслуговування

- Очищення зовнішніх поверхонь.
- Переконайтеся, що елемент блокування курка й курок працюють належним чином.
- Очистіть гальмо ланцюга й переконайтеся, що воно працює належним чином.

- Перевірте утримувач ланцюга на наявність пошкоджень. Якщо утримувач ланцюга пошкоджений, замініть його.
- Щодня повертайте пильну шину для більш рівномірного зношування.
- Переконайтеся, що отвір для змащування в пильній шині не забитий.
- Видаліть тирсу й інші сторонні матеріали з-під кришки зірочки.
- Очистіть канавку пильної шини. (Мал. 64)
- Переконайтеся, що пильна шина й ланцюг пилки отримують достатню кількість оливи.
- Огляньте ланцюг пилки на:
 - наявність тріщин на заклепках і ланках;
 - нерівномірне зношення заклепок і ланок;
 - правильність натягу;
 - наявність задирок на приводних ланках ланцюга.

За необхідності замініть ланцюг пилки.

- Нагостріть ланцюг пилки. Див. *Нагострювання ланцюга пилки на сторінці 378.*
- Огляньте приводну зірочку на надмірне зношення й за необхідності замініть її. (Мал. 65)
- Почистьте всмоктувач повітря на корпусі двигуна.
- Переконайтеся, що всі гайки й гвинти затягнуті.
- Переконайтеся, що перемикач потужності працює належним чином.

Щотижневе технічне обслуговування

- Переконайтеся, що система охолодження працює належним чином.
- Переконайтеся, що стартер, трос стартера й зворотна пружина працюють належним чином.
- Переконайтеся, що елементи поглинання вібрації не ушкоджені.

(Мал. 66)

- Зашліфуйте будь-які нерівності на краях пильної шини.
- Очистьте або замініть іскрогасник на глушнику.

(Мал. 67)

- Очищення зовнішніх поверхонь карбюратора та прилеглих до нього ділянок.
- Очищення повітряного фільтра. Якщо повітряний фільтр пошкоджений або занадто брудний, встановіть новий. Щоб отримати більше інформації, див. *Очищення повітряного фільтра на сторінці 378.*

Щомісячне технічне обслуговування

- Огляньте гальмівну стрічку гальма ланцюга на наявність ознак зношення. Замініть гальмівну стрічку, якщо її товщина становить менше 0,6 мм у найбільш зношеному місці.

(Мал. 68)

- Огляньте зчеплення, барабан зчеплення й пружину зчеплення на наявність ознак зношення.
- Чищення свічки запалювання. Переконайтеся, що проміжок між електродами правильний.

(Мал. 69)

- Очищення зовнішніх поверхонь карбюратора та прилеглих до нього ділянок.
- Огляньте паливний фільтр і шланг подачі пального. Замініть у разі потреби.
- Вилийте паливо з паливного баку.
- Спорожніть бак для оливи.
- Перевірка всіх кабелів та з'єднань.

Щорічне обслуговування

- Перевірка свічки запалювання.
- Очищення зовнішніх поверхонь карбюратора та прилеглих до нього ділянок.
- Очищення системи охолодження.
- Перевірка іскрогасника.
- Перевірка паливного фільтра.
- Перевірка шланга подачі пального на пошкодження.
- Перевірка всіх кабелів та з'єднань.

Періодичне технічне обслуговування

- Необхідно відремонтувати або замінити глушник в авторизованому сервісному центрі через 50 годин роботи.
- Виконуйте технічне обслуговування свічки запалювання, якщо:
 - рівень потужності двигуна низький;
 - двигун важко запускається;
 - двигун працює неправильно на холостому ходу.
- Кожного разу під час заправлення перевіряйте змащування ланцюга пилки. Див. *Перевірка змащування ланцюга пилки на сторінці 379.*

Налаштування швидкості холостого ходу

Перед налаштуванням швидкості холостого ходу переконайтеся, що повітряний фільтр чистий, а кришка повітряного фільтра встановлена.

1. Поверніть гвинт регулювання холостого ходу (з позначкою «Т») за годинниковою стрілкою, доки ланцюг пилки не почне обертатися.
2. Поверніть гвинт регулювання холостого ходу (з позначкою «Т») проти годинникової стрілки, доки ланцюг пилки не зупиниться.
3. Швидкість холостого ходу повинна бути нижчою за швидкість, на якій починає обертатися ланцюг пилки. Швидкість холостого ходу відрегульована правильно, якщо двигун працює рівномірно в будь-якому положенні.

Технічне обслуговування іскрогасника

- Для очищення іскрогасника використовуйте дротяну щітку. (Мал. 70)

Технічне обслуговування свічки запалювання



УВАГА: Використовуйте лише рекомендовані свічки запалювання. Переконайтеся, що заміна буде відбуватися на такі ж самі деталі, що були поставлені виробником. Неправильна свічка запалювання може призвести до пошкодження виробу.

1. Якщо двигун важко запускається або працює, перевірте свічку запалювання на наявність зайвих предметів. Щоб зменшити ризик потрапляння зайвих предметів на електроди свічки запалювання:
 - a) переконайтеся, що швидкість холостого ходу встановлено правильно.
 - b) переконайтеся в правильності змішування паливної суміші.
 - c) переконайтеся, що повітряний фільтр чистий.
2. Якщо свічка запалювання забруднена, почистьте її. Переконайтеся, що проміжок між електродами правильний. (Мал. 71)
3. За необхідності замініть свічку запалювання.

Очищення повітряного фільтра

1. Зніміть кришку повітряного фільтра та витягніть повітряний фільтр. (Мал. 72)
2. Чистити повітряний фільтр потрібно теплою мильною водою. Перед встановленням переконайтеся, що повітряний фільтр сухий.
3. Якщо повітряний фільтр занадто брудний для очищення, замініть його. Пошкоджений повітряний фільтр необхідно замінювати обов'язково.

Нагострювання ланцюга пилки

Різець

Різальна частина ланцюга пилки називається різцем, вона складається з різального зуба (А) та різальної глибиноміра (В). Глибина різання різця визначається різницею висоти зубця й глибиноміра (С).

(Мал. 73)

При нагострюванні різального зуба треба пам'ятати про чотири важливі фактори.

- Кут заточування.

(Мал. 74)

- Кут різання.

(Мал. 75)

- Положення напилка.

(Мал. 76)

- Діаметр круглого напилка.

(Мал. 77)

Нагострювання різальних зубців

Для нагострювання різальних зубців використовуйте круглий напилек і шаблон для напилка. Інформація щодо рекомендованих розмірів напилка й шаблону для ланцюга пилки, установленого на вашому виробі, знаходиться в *Заточування ланцюга пили й комбінації ланцюгів пили на сторінці 381.*

(Мал. 78)

1. Переконайтеся, що ланцюг пилки правильно натягнутий. Неправильно натягнутий ланцюг зміщується на один бік і нагострюється нерівномірно.
2. Нагостріть усі зубці з одного боку. Потім нагостріть різальні зубці на внутрішній поверхні; зменшуйте тиск під час зворотного руху.
3. Переверніть виріб на другий бік і нагостріть зубці.
4. Використовуйте шаблон для напилка, щоб усі зубці були однакової довжини. Коли довжина різальних зубців зменшується до 4 мм, замінійте зношений ланцюг пилки.

Регулювання висоти глибиноміра

Перш ніж налаштувати глибиномір, нагостріть різальні зубці. Див. *Нагострювання різальних зубців на сторінці 378.* Після нагострювання зубців (А) висота глибиноміра (С) зменшується. Для забезпечення оптимальної продуктивності різання глибиномір (В) необхідно заточити, щоб досягти рекомендованого налаштування. Інформація щодо правильної уставки глибиноміра для конкретного ланцюга наведено в *Заточування ланцюга пили й комбінації ланцюгів пили на сторінці 381.*

(Мал. 79)

(Мал. 80)

Зверніть увагу: Ця рекомендація передбачає, що довжина різальних зубів не занадто зменшилася.

Для регулювання глибиноміра використовуйте плоский напилек і пристрій для вимірювання висоти глибиноміра.

1. Встановіть пристрій для вимірювання висоти глибиноміра над ланцюгом пилки. Більш детальна інформація щодо експлуатації пристрою вимірювання висоти глибиноміра знаходиться на його упаковці.
2. Застосовуйте плоский напилек для спливання верхньої частини глибиноміра, що просовується крізь пристрій для вимірювання висоти глибиноміра. Налаштування глибиноміра буде правильним, якщо не відчувається спротиву при проведенні напилка по пристрою для вимірювання висоти глибиноміра.

Натягування ланцюга пилки

Зверніть увагу: Впродовж періоду приладжування нового ланцюга пилки слід часто перевіряти його натяг.

1. Відпустіть гайки пильної шини, що утримують кришку зірочки. Скористайтеся комбінованим ключем. (Мал. 81)
2. Затягніть гайки пильної шини рукою якомога міцніше.
3. Підніміть верхню частину пильної шини й натягніть ланцюг пилки, затягнувши гвинт натягування ланцюга. Скористайтеся комбінованим ключем. Затягуйте ланцюг пилки, доки він не перестане звисати знизу пильної шини. (Мал. 82)

4. Затягуйте гайки пильної шини за допомогою комбінованого ключа, одночасно піднімаючи верхню частину пильної шини. (Мал. 83)
5. Переконайтеся, що ви можете легко протягнути ланцюг пилки рукою й що він не провисає. (Мал. 84)

Змащування різального обладнання

Перевірка змащування ланцюга пилки

Кожного разу під час заправлення перевіряйте змащення ланцюга пилки.

1. Запустіть виріб і дайте йому попрацювати на 3/4 частоти обертання. Спрямуйте передню частину пильної шини на поверхню світлого кольору на відстані приблизно 20 см.
2. Після 1 хвилини роботи на світлій поверхні буде видно слід від олії.
3. Якщо слід від оливи не видно через 1 хвилину, прочистьте канал подачі оливи в пильній шині. Очистьте канавку на краю пильної шини. Переконайтеся, що носова зірочка пильної шини вільно обертається й що отвір для змащування не забитий. Очистіть й змастіть верхівку зірочки.
4. Запустіть виріб і дайте йому попрацювати на 3/4 частоти обертання. Спрямуйте передню частину шини на поверхню світлого кольору на відстані приблизно 20 см.
5. Після 1 хвилини роботи на світлій поверхні буде видно слід від олії.
6. Якщо слід від оливи не видно через 1 хвилину, зверніться до вашого уповноважено дилера.

ТРАНСПОРТУВАННЯ

- Перед транспортуванням спорожніть паливний бак і бак для оливи. Правильно утилізуйте відпрацьовані рідини.
- Перед транспортуванням установіть на пильну шину кришку. Це запобігає випадковому торканню гострого ланцюга пилки людьми. Гострий ланцюг пилки, який не працює, може завдати травми вам чи іншим особам, які його торкаються.
- Перед транспортуванням зніміть ковпак зі свічки запалювання й зайдіть гальмо ланцюга.
- Переконайтеся, що виріб не рухатиметься під час транспортування.

ЗБЕРІГАННЯ

- Коли виріб не використовується, зберігайте його в безпечному місці. Витоки й дими з виробу можуть досягти джерел відкритого вогню й іскор від електроінструментів, електричних косарок, реле/перемикачів, котлів тощо.
- Завжди зберігайте паливо в затвердженому контейнері.
- Якщо виріб зберігатиметься протягом тривалого часу, спорожніть паливний бак і бак для оливи. Правильно утилізуйте відпрацьовані рідини.
- Перед зберіганням установіть на пильну шину кришку. Це запобігає випадковому торканню гострого ланцюга пилки людьми. Гострий ланцюг пилки, який не працює, може завдати серйозної травми вам чи іншим особам, які його торкаються.
- Перед зберіганням зніміть ковпак зі свічки запалювання й зайдіть гальмо ланцюга.

ТЕХНІЧНІ ХАРАКТЕРИСТИКИ

	одиниця виміру	130 (H13038HV)	135 Mark II (H13038HV)
Технічні характеристики двигуна			
Об'єм циліндра	см ³	38	38
Свічка запалення	—	NGK BPMR 7A	NGK BPMR 7A
Проміжок між електродами	мм (дюймів)	0,5	0,5
Об'єм паливного бака	см ³	350	350
Швидкість холостого ходу	об/хв	2800–3200	2800–3200
Вихідна потужність за частоти обертання 9000 об/хв	кВт	1,5	1,6
Період стійкості характеристик випромінювання	год	125	125
Дані щодо шуму й вібрації			
Еквівалентний рівень вібрації (ahv, eq) лівої ручки ¹²⁶	м/с ²	3,72	3,72
Еквівалентний рівень вібрації (ahv, eq) правої ручки ¹²⁷	м/с ²	5,5	5,5
Рівень звукової потужності, гарантований (L _{WA}) ¹²⁸	дБ(A)	116	116
Рівень звукової потужності, вимірний ¹²⁹	дБ(A)	114	114
Рівень звукового тиску у вусі оператора ¹³⁰	дБ(A)	102	102
Розміри виробу			
Вага (за виключенням різального обладнання)	кг	4,68	4,68
Об'єм бака для оливи	см ³	260	260
Паливна та змащувальна система			
Продуктивність масляного насоса за частоти обертання 9000 об/хв	мл/хв	9	9
Тип масляного насоса	—	Автоматичний	Автоматичний

¹²⁶ Еквівалентний рівень вібрації обчислюється як сума енергії за певний проміжок часу для рівнів вібрації за різних умов праці. Представлені дані про еквівалентний рівень вібрації мають типову статистичну дисперсію (стандартне відхилення) в 1,5 м/с².

¹²⁷ Еквівалентний рівень вібрації обчислюється як сума енергії за певний проміжок часу для рівнів вібрації за різних умов праці. Представлені дані про еквівалентний рівень вібрації мають типову статистичну дисперсію (стандартне відхилення) в 1,5 м/с².

¹²⁸ Випромінювання шуму в середовище визначається як потужність звуку (L_{WA}).

¹²⁹ Випромінювання шуму в середовище визначається як потужність звуку (L_{WA}).

¹³⁰ Еквівалентний рівень звукового тиску обчислюється як сума енергії за певний проміжок часу для різних рівнів звукового тиску за різних умов праці. Типовий статистичний розкид для еквівалентних рівнів звукового тиску зазвичай являє собою відхилення в розмірі 2,5 дБ (A).

	одиниця виміру	130 (H13038HV)	135 Mark II (H13038HV)
Ланцюг пилки й пильна шина			
Довжина стандартної пильної шини	см (дюймів)	35–40 (14–16)	35–40 (14–16)
Рекомендована довжина пильної шини	см (дюймів)	35–40 (14–16)	35–40 (14–16)
Корисна довжина різальної поверхні	см (дюймів)	33–38	33–38
Максимальна швидкість ланцюга пилки	м/с	22,3	22,3
Крок ланцюга пилки	мм (дюймів)	9,52	9,52
Товщина приводних ланок (вимірювач)	мм (дюймів)	1,3 (0,050)	1,3 (0,050)
Тип приводної зірочки	—	Зубчата	Зубчата
Кількість зубців приводної зірочки	—	6	6

АКСЕСУАРИ

Комбінації шин і ланцюгів пилки

Пилкова шина				Пилковий ланцюг	
Довжина	Крок	Ширина розведення зубців	Макс. радіус кінцевої частини шини	Тип	Кількість приводних ланок
14 дюймів	3/8 дюйма	0,050 дюйма	7T	Husqvarna H37	52
16 дюймів				Husqvarna S93G	56

Заточування ланцюга пили й комбінації ланцюгів пили

Тип ланцюга	Розмір круглого напилка	Кут бічної пластини	Кут верхньої пластини	Кут заточування	Висота глибини міра	Артикул глибини міра	Артикул шаблону для напилка
H37, S93G	5/32 дюйма 4,0 мм	80°	30°	0°	0,025 / 0,65	5056981-03	5052437-01

ЗМІСТ ДЕКЛАРАЦІЇ ВІДПОВІДНОСТІ ЕС

Ми, Husqvarna AB, SE 561 82 м. Гускварна, Швеція, заявляємо під свою виключну відповідальність, що представлений виріб:

Опис	Бензинова ланцюгова пила
Бренд	Husqvarna
Платформа / Тип / Модель	Платформа H13038HV, представлена модель: 130, 135 Mark II
Партія	Серійні номери за 2018 рік і пізніше

повністю відповідає наступним директивам і нормам ЄС:

Директива/норма	Опис
2006/42/EC	«Про механічне обладнання»
2014/30/EU	«Про електромагнітну сумісність»
2000/14/EC	«Про випромінювання шуму від обладнання, призначеного для використання надворі»
2011/65/EU	«Про обмеження використання деяких небезпечних речовин»

Застосовуються наступні узгоджені стандарти й/або технічні специфікації: EN ISO 12100, EN ISO 11681-1, CISPR 12, ISO 14982

Згідно з директивою 2000/14/EC, додаток V, заявлені шумові характеристики зазначені в розділі технічних даних цього посібника й підписаній декларації відповідності стандартам ЄС.

TÜV Rheinland LGA Products GmbH, уповноважений орган для механічного обладнання (уповноважений згідно з 0197), Tillystraße 2 - 90431 Nürnberg, Germany (Німеччина), виконав типову перевірку ЄС на відповідність вимогам пункту 3b статті 12 Директиви 2006/42/EC.

Сертифікат про виконання типової перевірки згідно з додатком IX, як зазначено в підписаній декларації відповідності ЄС, діє для всіх місць виробництва й країн-виробників, зазначених на виробі.

Ланцюгова пила відповідає зразкам, які пройшли типову перевірку ЄС.

Sadržaj

UVOD.....	383	TRANSPORT.....	393
BEZBEDNOST.....	384	SKLADIŠTENJE.....	393
SKLAPANJE.....	388	TEHNIČKI PODACI.....	394
RUKOVANJE.....	388	OPREMA.....	395
ODRŽAVANJE.....	391	SADRŽAJ EZ DEKLARACIJE O USAGLAŠENOSTI.....	395

UVOD

Korisničko uputstvo

Ovo korisničko uputstvo je originalno napisano na engleskom jeziku. Korisnička uputstva na drugim jezicima su prevodi sa engleskog jezika.

Pregled

(Sl. 1)

1. Poklopac cilindra
2. Pumpa za gorivo
3. Tipska pločica
4. Nalepnica sa informacijama i upozorenjima
5. Prekidač za zaustavljanje
6. Zadnja ručka
7. Rezervoar za gorivo
8. Ručica užeta startera
9. Kućište startera
10. Oznaka za pravac obaranja
11. Rezervoar za ulje za lanac
12. Prednja ručka
13. Kočnica lanca i prednji štitnik ruke
14. Prigušivač
15. Lanac
16. Lančanik na vrhu vodilice
17. Vodilica
18. Zavrtanj za zatezanje lanca (130)
19. Zavrtanj za zatezanje lanca (135 Mark II)
20. Osloni nazub
21. Hvatač lanca
22. Poklopac kvačila
23. Štitnik desne ruke
24. Prekidač gasa
25. Blokada prekidača gasa
26. Poklopac mača
27. Kombinovani alat
28. Korisničko uputstvo

Simboli na proizvodu

(Sl. 2) Upozorenje

- (Sl. 3) Pročitajte ovo uputstvo
- (Sl. 4) Koristite odobrenu zaštitu za glavu, zaštitu za sluh i zaštitu za oči
- (Sl. 5) Koristite odobrene zaštitne rukavice
- (Sl. 6) Proizvod je usaglašen sa važećim EZ direktivama
- (Sl. 7) Nivo snage zvuka
- (Sl. 8) Kočnica lanca, neaktivna (levo). Kočnica lanca, aktivirana (desno)
- (Sl. 9) Kontrola čoka
- (Sl. 10) Pumpa za gorivo
- (Sl. 11) Nadopuna goriva
- (Sl. 12) Otvor za sipanje ulja za lanac
- (Sl. 13) Proizvod je usaglašen sa važećim smernicama EAC
- (Sl. 14) Proizvod je usaglašen sa važećim smernicama za Ukrajinu
- (Sl. 15) Proizvod je usaglašen sa važećim smernicama za Koreju
- (Sl. 16) Proizvod je usaglašen sa važećim smernicama za Japan
- (Sl. 17) Nivo buke
- (Sl. 18) Držite proizvod obema rukama na pravilan način
- (Sl. 19) Ne koristite ga jednom rukom
- (Sl. 20) Izbegavajte kontakt sa vrhom mača

(Sl. 21) Pazite se povratnog udara

Ovaj proizvod je usaglašen sa važećim propisima o elektromagnetnoj

(Sl. 22) kompatibilnosti u Australiji i Novom Zelandu.

Predlog 65

(Sl. 23)

EU V



UPOZORENJE: Neovlašćene prepravke motora poništavaju EU tip odobrenja za ovaj proizvod.

Odgovornost za proizvod

Kako je izloženo u zakonima o odgovornosti za proizvode, mi nismo odgovorni za oštećenja prouzrokovana našim proizvodom ako:

- proizvod je popravljn na pogrešan način.
- proizvod je popravljn korišćenjem delova koji nisu napravljni ili odobreni od strane proizvođača.
- proizvod ima opremu koja ne potiče ili nije odobrena od strane proizvođača.
- proizvod nije popravljn u ovlašćenom servisnom centru ili od strane ovlašćenog stručnjaka.

BEZBEDNOST

Bezbednosne definicije

Definicije navedene u nastavku pružaju nivo ozbiljnosti za svaku signalnu reč.



UPOZORENJE: Telesne povrede osoba.



OPREZ: Oštećenje proizvoda.

Napomena: Ove informacije olakšavaju korišćenje proizvoda.

Opšta bezbednosna uputstva

- Koristite proizvod na ispravan način. Telesna povreda ili smrt su mogući rezultat neispravnog korišćenja. Koristite proizvod samo za zadatke navedene u ovom uputstvu. Nemojte koristiti proizvod za druge zadatke.
- Pročitajte, shvatite i pridržavajte se uputstava u ovom priručniku. Pratite bezbednosne simbole i bezbednosna uputstva. Ako rukovalac ne prati uputstva i simbole, oštećenje, telesna povreda ili smrt su mogući rezultat.
- Nemojte baciti ovo uputstvo. Koristite uputstva kako biste sklopili, rukovali i održavali proizvod u dobrom stanju. Koristite uputstva za ispravno montiranje dodatka i opreme. Koristite isključivo odobrene dodatke i opremu.
- Nemojte koristiti oštećeni proizvod. Pridržavajte se šeme održavanja. Vršite samo one radove održavanja za koje pronađete instrukcije u ovom

uputstvu. Ovlašćeni servisni centar mora izvršiti sve druge radove održavanja.

- Ovo uputstvo ne može sadržavati sve situacije koje se mogu pojaviti prilikom korišćenja proizvoda. Budite pažljivi i koristite zdrav razum. Nemojte rukovati proizvodom ili vršiti održavanje ako niste sigurni u pogledu određene situacije. Obratite se stručnjaku za proizvod, prodavcu, servisnom zastupniku ili ovlašćenom servisnom centru kako biste dobili više informacija.
- Iskopčajte kabl svećice pre nego što sklopite proizvod, uskladištite ga ili izvršite održavanje.
- Nemojte koristiti proizvod ako je izmenjen od inicijalnih specifikacija. Nemojte menjati deo na proizvodu bez odobrenja od strane proizvođača. Koristite samo delove koji su odobreni od strane proizvođača. Telesna povreda ili smrt su mogući rezultat nepravilnog održavanja.
- Nemojte udisati isparenja iz motora. Dugotrajno udisanje izduvnih gasova motora, ulja za lance i čestica piljevine predstavlja rizik za zdravlje.
- Nemojte pokretati proizvod u zatvorenom prostoru ili blizu zapaljivih materijala. Izduvni gasovi su vrući i mogu imati varnicu koja može potpaliti požar. Ako nema dovoljnog protoka vazduha, može doći do povrede ili gušenja usled dejstva ugljen-monoksida.
- Ovaj proizvod stvara elektromagnetno polje tokom rada. Elektromagnetno polje može izazvati oštećenje medicinskih implantata. Posavetujte se sa svojim lekarom i proizvođačem medicinskog implantata pre nego što počnete da rukujete ovim proizvodom.
- Nemojte dozvoliti da dete rukuje proizvodom.
- Nemojte dozvoliti da osoba, bez znanja u pogledu uputstava, rukuje proizvodom.
- Uvek nadzirite osobu sa smanjenim fizičkim ili mentalnim sposobnostima koja koristi proizvod.

Odgovorna odrasla osoba mora biti prisutna sve vreme.

- Proizvod čuvajte na mestu gde deca i neovlašćene osobe nemaju pristup.
- Proizvod može da izbacuje predmete i tako izazove telesne povrede. Pridržavajte se bezbednosnih uputstava kako biste smanjili rizik od telesne povrede ili smrti.
- Nemojte se udaljavati od proizvoda kada motor radi. Zaustavite motor i uverite se da se lanac ne okreće.
- Rukovalac proizvoda je odgovoran u slučaju ako dođe do nesreće.
- Uverite se da delovi nisu oštećeni pre nego što koristite proizvod.
- Pogledajte nacionalne ili lokalne zakone. Oni mogu sprečavati ili umanjiti načine za rad proizvoda u određenim slučajevima.

Bezbednosna uputstva za rad

- Kontinuirani ili redovan rad sa proizvodom može da prouzrokuje Rejnoov fenomen ili ekvivalentne medicinske probleme koji proističu iz izloženosti vibracijama. Pregledajte stanje šaka i prstiju ako kontinuirano ili redovno rukujete proizvodom. Ako na vašim šakama ili prstima postoje promene boje, imate bolove, peckanje ili utrnulost u šakama ili prstima, prekinite rad i odmah se obratite lekaru.
- Uverite se da je proizvod u potpunosti sklopljen pre nego što počnete da ga koristite.
- Proizvod može prouzrokovati izbacivanje predmeta što može rezultirati povredom očiju. Uvek koristite odobrenu zaštitu za oči dok koristite proizvod.
- Budite oprezni, dete se može približiti proizvodu bez vašeg znanja tokom rada.
- Nemojte raditi sa proizvodom ako se osobe nalaze u radnom području. Zaustavite proizvod ako osoba uđe u radno područje.

(Sl. 24)

- Pobrinite se da uvek imate kontrolu nad proizvodom.
- Proizvod mora da se koristi sa obe ruke. Ne koristite proizvod jednom rukom. U slučaju da se proizvodom radi samo jednom rukom, može da dođe do teških povreda rukovaoca, radnika ili osoba u blizini.
- Držite prednju ručku levom rukom a zadnju ručku desnom. Držite proizvod sa desne strane tela.

(Sl. 25)

- Ne koristite proizvod ako ste umorni, bolesni ili pod uticajem alkohola ili drugih supstanci.
- Nemojte koristiti proizvod ako ne postoji mogućnost da primite pomoć ako dođe do nesreće. Pobrinite se da druge osobe budu svesne da ćete raditi sa proizvodom pre nego što pokrenete proizvod.
- Nemojte se okretati dok držite proizvod pre nego što se uverite da nema osoba ili životinja u bezbednom području.
- Uklonite sav neželjeni materijal iz radnog područja pre početka rada. Ako lanac udari predmet, on može

da bude odbačen i da izazove povrede ili oštećenja. Neželjeni materijal može da se namota oko lanca i da izazove oštećenja.

- Ne koristite proizvod po lošem vremenu (magla, kiša, jak vetar, grmljavina i druge vremenske nepogode). Loše vreme može da stvori opasne uslove, kao što je klizava podloga.
- Uverite se da se možete slobodno kretati i raditi u stabilnom položaju.
- Uverite se da nema opasnosti od pada prilikom korišćenja proizvoda. Nemojte se naginjati kada radite sa proizvodom.
- Uvek držite proizvod sa obe ruke. Držite prednju ručku levom rukom a zadnju ručku desnom. Držite proizvod sa desne strane tela.
- Ako je regulator čoka u položaju za čokiranje pri pokretanju motora, lanac će početi da se okreće.
- Zaustavite motor pre nego što pomerite proizvod.
- Nemojte spuštati proizvod kada motor radi.
- Pre uklanjanja neželjenih materijala sa proizvoda, zaustavite motor. Sačekajte da se lanac zaustavi pre nego što vi ili osoba koja vam pomaže u radu uklonite isečeni materijal.
- Ne koristite proizvod ako ste se popeli na drvo. Korišćenje proizvoda dok se nalazite na drvetu može da dovede do telesne povrede.

(Sl. 26)

- Kočnica lanca mora biti aktivirana kada se proizvod pokreće kako bi se smanjio rizik da vas lanac dodirne prilikom pokretanja.

(Sl. 27)

- Izbegavajte povratni udar, klizanje, odskakanje i padanje jer to može da dovede do teške povrede.
- Pridržavajte se svih pravila za bezbednost kako biste izbegli povratni udar i druge sile koje mogu dovesti do teške povrede.
- Redovno podešavajte zategnutost lanca testere kako biste osigurali da lanac ne bude labav. Labav lanac testere može da odskoči i izazove teške povrede ili smrt.
- Ne obarajte drveće nepravilnim postupkom. Time možete da povredite druge osobe, da pokidate nadzemne vodove i da oštetite imovinu.
- Rukovalac treba da stoji uzbrdo od drveta, jer oboreno drvo po pravilu klizi ili se kotrlja nizbrdo.

(Sl. 28)

- Pre nego što počnete sečenje, isplanirajte i raščistite putanju za beg. Putanja za beg treba da se proteže unazad i dijagonalno prema zadnjem delu očekivane linije pada.

(Sl. 29)

- Uvek zaustavite motor dok premeštate proizvod između drveća.
- Obavezno čvrsto postavite stopala na zemlju i podjednako rasporedite težinu.

(Sl. 30)

- Uvek održavajte odgovarajući položaj nogu i radite sa proizvodom samo kada stojite na čvrstoj, sigurnoj i ravnoj površini. Klizave ili nestabilne površine kao što su merdevine mogu da dovedu do gubitka ravnoteže ili kontrole.

(Sl. 31)

Povratni udari, klizanje, odskakanje i ispuštanje

Na bezbedno upravljanje proizvodom mogu da utiču različite sile.

- **Povlačenje** se dešava kad se mač brzo pomeri preko drveta.
- **Odsakanje** se dešava kad mač odskoči od drveta i zatim ga ponovo dotakne više puta.
- **Padanje** se dešava kad proizvod padne posle završetka rezanja. Lanac u pokretu u tim slučajevima može da dodirne deo tela i druge predmete, što može da izazove nastanak štete ili povrede.
- **Povratni udar** se dešava kad kraj mača dodirne predmet i naglo se odbije unazad, nagore ili ka napred. Povratni udar se dešava i kad drvo uštine lanac testere tokom rezanja. Ako proizvod dodirne predmet u drvetu, može da dođe do gubitka kontrole. (Sl. 32)

- **Rotacioni povratni udar** može da se desi kad lanac u pokretu na vrhu mača dodirne predmet. Tako lanac može da se ukopa u predmet i da se istog trena zaustavi. Rezultat je veoma brza povratna reakcija koja pomera mač nagore i unazad u pravcu rukovaoca. (Sl. 33)
- **Povratni udar usled uštinuća** se dešava kad se lanac naglo zaustavi tokom rezanja. Drvo se zatvara i štira pokretan lanac duž gornje strane mača. Naglo zaustavljanje lanca menja pravac dejstva sile koja pokreće lanac i dovodi do toga da se proizvod pokrene u smeru suprotnom od smera okretanja lanca. Proizvod se pomera unazad u pravcu rukovaoca. (Sl. 34)
- **Povlačenje** se dešava kad se lanac u pokretu naglo zaustavi ako dodirne predmet u drvetu duž donjeg dela mača. Naglo zaustavljanje povlači proizvod napred i od rukovaoca, zbog čega rukovalac lako može da izgubi kontrolu nad proizvodom. (Sl. 35)

Uverite se da razumete razne sile i način da sprečite njihov nastavak pre korišćenja proizvoda. Pogledajte *Da biste sprečili povratne udare, povlačenje, odskakanje i padanje na stranici 386.*

Da biste sprečili povratne udare, povlačenje, odskakanje i padanje

- Čvrsto držite proizvod dok motor radi. Držite zadnju ručku desnom rukom a prednju levom. Čvrsto stisnite ručku svim prstima. Ne slabite stisak.
- Zadržite kontrolu nad proizvodom i tokom rezanja i kad drvo padne na zemlju. Ne dozvolite da proizvod padne usled svoje težine na kraju reza.
- Uverite se da nema prepreka u prostoru u kojem režete. Ne dozvolite da vrh mača dotakne deblo, granu ili druge prepreke dok radite sa proizvodom. (Sl. 36)
- Režite na velikoj brzini obrtaja motora.
- Ne režite daleko ispruženih ruku i ne režite iznad visine ramena. (Sl. 37)
- Poštujte uputstva proizvođača lanca o oštrenju i održavanju.
- Koristite samo rezervne mačeve i lance koje je naveo proizvođač.
- Ako je graničnik dubine predubok, raste opasnost od povratnog udara.

Lična zaštitna oprema

- Uvek koristite odgovarajuću ličnu zaštitnu opremu dok koristite proizvod. Lična zaštitna oprema smanjuje nivo povrede ako dođe do nezgode, ali ne sprečava povrede.
- Ne nosite labavu odeću, koja može da se uhvati u lanac.
- Koristite odobrenu zaštitnu kacigu.
- Uvek koristite odobrenu zaštitu za uši tokom rada sa proizvodom. Dugotrajna buka može da ošteti sluh.
- Koristite zaštitne naočari ili vizir za lice da biste smanjili opasnost od povrede letećim predmetima. Proizvod može da izbacuje predmete poput opiljaka i malih komada drveta velikom silom. To može da izazove teške povrede, naročito očiju.
- Koristite rukavice sa zaštitom od lanaca motornih testera.
- Koristite pantalone sa zaštitom od lanaca motornih testera.
- Koristite obuću sa zaštitom od lanaca motornih testera, čeličnim štitnikom za prste i neključim donom.
- Vodite računa da vam u blizini bude komplet za prvu pomoć.
- Iz prigušivača, mača i lanca, kao i iz drugih izvora, mogu da iskaču varnice. Uvek nosite protivpožarne uređaje i lopatu, da biste sprečili nastanak šumskih požara.

Zaštitni uređaji na proizvodu

- Nemojte koristiti proizvod na kojem je oštećena zaštitna oprema. Ako je proizvod oštećen, obratite se ovlašćenom servisnom centru.

Pregled prekidača za zaustavljanje

1. Pokrenite motor. Pogledajte *Pre pokretanja motora na stranici 389*.
2. Uverite se da se motor zaustavio nakon što ste pomerili prekidač za zaustavljanje u položaj za zaustavljanje.

Pregled zaključavanja obarača gasa

1. Uverite se da je prekidač gasa (B) blokiran u praznom hodu kada otpustite blokadu prekidača gasa (A) (Sl. 38).
2. Pritisnite blokadu prekidača gasa (A) i uverite se da se vraća u početni položaj kada je otpustite.
3. Pritisnite prekidač gasa (B) i uverite se da se vraća u početni položaj kada ga otpustite.
4. Pokrenite motor, a zatim dajte puni gas.
5. Otpustite prekidač gasa i proverite da li se lanac zaustavlja.
6. Ako se lanac okreće dok je gas u položaju praznog hoda, pregledajte zavrtanj za podešavanje praznog hoda karburatora.

Štitnik

Štitnik sprečava da predmeti budu izbačeni u smeru rukovaoca. Štitnik takođe sprečava slučajan kontakt između rukovaoca i lanca.

- Uverite se da kombinacija štitnik-proizvod odgovara za rad.
- Nemojte koristiti proizvod bez štitnika.
- Uverite se da štitnik nije oštećen. Zamenite pohaban ili naprsao štitnik.

Bezbednost oko goriva

- Nemojte pokretati proizvod ako na njemu postoje tragovi goriva ili motornog ulja. Uklonite neželjeno gorivo/ulje i sačekajte da se proizvod osuši. Uklonite neželjeno gorivo sa proizvoda.
- Ako prospete gorivo na odeću, odmah je presvucite.
- Nemojte dozvoliti da gorivo dospe na vaše telo, ono može izazvati telesnu povredu. Ako gorivo dospe na vaše telo, uklonite ga pomoću sapuna i vode.
- Nemojte pokretati motor ako prospete ulje ili gorivo na proizvod ili vaše telo.
- Nemojte pokretati proizvod ako postoji curenje iz motora. Redovno proveravajte da li postoji curenje iz motora.
- Budite oprezni pri rukovanju gorivom. Gorivo je zapaljivo a isparenja su eksplozivna i mogu izazvati telesne povrede ili smrt.
- Nemojte udisati isparenja goriva, to može izazvati telesnu povredu. Pobrinite se da ima dovoljno protoka vazduha.
- Nemojte pušiti u blizini goriva ili motora.
- Nemojte stavljati vruće predmete blizu goriva ili motora.

- Nemojte dolivati gorivo kada motor radi.
- Uverite se da je motor hladan pre dopunjavanja goriva.
- Pre dopunjavanja goriva, lagano otvorite poklopac rezervoara za gorivo i pažljivo otpustite pritisak.
- Nemojte dolivati gorivo u motor u zatvorenom prostoru. Nedovoljan protok vazduha može izazvati telesnu povredu ili smrt usled gušenja ili prisustva ugljen-monoksida.
- Pažljivo zategnite poklopac rezervoara za gorivo ili može doći do požara.
- Pomerite proizvod najmanje 3 m (10 stopa) od položaja gde ste punili rezervoar pre pokretanja.
- Nemojte sipati previše goriva u rezervoar za gorivo.
- Pobrinite se da ne može doći do curenja kada pomerite proizvod ili kantu za gorivo.
- Nemojte stavljati proizvod ili kantu za gorivo na mesto gde postoji otvoreni plamen, varnice ili pilot gorionik. Uverite se da u skladišnom prostoru nema otvorenog plamena.
- Koristite samo odobrene kante za gorivo prilikom prenošenja ili skladištenja goriva.
- Ispraznite rezervoar za gorivo pre dugotrajnog skladištenja. Pridržavajte se lokalnog zakona u pogledu mesta odlaganja goriva.
- Očistite proizvod pre dugotrajnog skladištenja.
- Skinite kabl svećice pre skladištenja proizvoda kako biste osigurali da se motor ne može slučajno pokrenuti.

Bezbednosna uputstva za održavanje

- Odvojte svećicu pre održavanja proizvoda, osim ako ne podešavate karburator.
- Svo servisiranje proizvoda treba da vrši ovlašćeni prodavac, osim poslova koji se tiču *ODRŽAVANJE na stranici 391*.
- Uverite se da se lanac zaustavlja kada pustite obarač gasa.
- Drške bi trebalo da budu suve, čiste, bez ostataka ulja i mešavine.
- Poklopci i pričvršćivači moraju da budu pravilno pritegnuti.
- Neodobrene rezervni delovi i uklanjanje bezbednosnih uređaja mogu da oštete proizvod. To može da izazove i povređivanje rukovaoca ili osoba u blizini. Koristite samo preporučene dodatke i rezervne delove. Ne vršite izmene na proizvodu.
- Lanac bi trebalo da bude oštar i čist da bi imao dobre radne karakteristike i bio bezbedan za rad.
- Pridržavajte se uputstava za podmazivanje i zamenu podataka.
- Pregledajte ima li na proizvodu oštećenih delova. Pre daljeg korišćenja proizvoda bi trebalo da se uverite da oštećeni štitnik ili deo ispravno radi. Pregledajte ima li slomljenih ili nepravilno poravnatih delova i delova koji ne mogu da se slobodno kreću.

Pregledajte i druge stvari koje mogu da utiču na rad proizvoda. Proverite da li je proizvod pravilno sastavljen. Potrebno je da ovlašćeni prodavac popravi ili zameni štitnik ili oštećeni deo, osim ako u priručniku za rukovaoca nije drugačije navedeno.

- Kad ga ne koristite, čuvajte proizvod na suvom, visokom ili zaključanom mestu van domašaja dece.

- Tokom transporta ili skladištenja proizvoda, koristite poklopac mača ili kutiju za pomeranje proizvoda.
- Ne koristite zamenjeno ulje. Zamenjeno ulje može da bude opasno po zdravlje i da ošteti proizvod i zagadi okolinu.

SKLAPANJE



UPOZORENJE: Pre sklapanja proizvoda je potrebno da pročitate i razumete poglavlje o bezbednosti.

Sklapanje vodilice i lanca testere

1. Uklonite kapicu sa svećice tokom sklapanja da biste sprečili slučajno startovanje. (Sl. 39) (Sl. 40)
2. Uklonite navrtke vodilice i poklopac kvačila. Uklonite štitnik za transport (A). (Sl. 41)
3. Stavite mač iznad vijaka mača. Navucite mač u krajnji zadnji položaj.
4. Navucite rukavice sa zaštitom od lanaca motornih testera.
5. Podignite lanac iznad pogonskog lančanika i postavite ga u žleb na maču. Počnite od gornje ivice mača. (Sl. 42)
6. Uverite se da su ivice reznih karika na gornjem delu mača okrenute ka napred.

7. Vratite poklopac kvačila na mesto i postavite iglicu zatezača lanca u otvor u maču.
8. Uverite se da pogonske karike lanca pravilno naležu na pogonski lančanik. Uverite se i da lanac pravilno naleže na žleb u maču.
9. Pritegnite navrtke mača prstima.
10. Pritegnite lanac testere okretanjem zavrtnja za pritezanje lanca udesno pomoću kombinovanog ključa. Pritežite lanac sve dok ne prestane da visi ispod mača, ali tako da i dalje možete lako da ga okrenete rukom. (Sl. 43) i (Sl. 44)
11. Držite kraj mača i pritegnite navrtke mača kombinovanim ključem. (Sl. 45)
 - Često proveravajte zategnutost lanca kad postavite nov lanac, dok se ne razradi.
 - Redovno proveravajte zategnutost lanca. Pravilna zategnutost lanca obezbeđuje dobre radne karakteristike i dugotrajnost.

RUKOVANJE



UPOZORENJE: Pročitajte i shvatite poglavlje o bezbednosti pre rada sa proizvodom.

Korišćenje goriva



OPREZ: Ovaj proizvod ima dvotaktni motor. Koristite mešavinu benzina i ulja za dvotaktni motor. Pobrinite se da koristite ispravnu količinu ulja u mešavini. Nepravilna razmera benzina i ulja može prouzrokovati oštećenje motora.

Odnos mešavine

Odnos mešavine benzina i ulja za dvotaktne motore je 50:1 (2%)

Benzin	Ulje za dvotaktni motor
1 američki galon.	77 ml (2,6 oz)
1 britanski galon.	95 ml (3,2 oz)
5 l	100 ml (3,4 oz)

Pravljenje mešavine goriva

1. Odredite odgovarajuće količine benzina i ulja za dvotaktne motore (odnos mešavine 50:1). Nemojte praviti zalihe mešavine goriva veće od količine potrebne za 30 dana rada. Pogledajte *Odnos mešavine na stranici 388*.
2. Dodajte polovinu količine goriva u čist sud za gorivo sa ventilom koji sprečava prosipanje.



OPREZ: Nemojte koristiti benzin sa više od 10% koncentracije etanola (E10). To može prouzrokovati oštećenje proizvoda.



OPREZ: Nemojte koristiti benzin sa oktanskim brojem manjim od 90 RON (87 AKI). To može prouzrokovati oštećenje proizvoda.

Napomena: Koristite benzin sa višim oktanskim brojem ako često koristite proizvod pri kontinuirano visokoj brzini motora.

3. Dodajte celu količinu ulja za dvotaktne motore u sud za gorivo.



OPREZ: Uvek koristite kvalitetno ulje za vazdušno hladene dvotaktne motore. Druga ulja mogu da oštete proizvod.

4. Promućkajte mešavinu goriva kako bi se sadržaj izmešao.
5. Dodajte preostalu količinu goriva u sud za gorivo.
6. Promućkajte mešavinu goriva kako bi se sadržaj izmešao.
7. Napunite rezervoar za gorivo na proizvodu mešavinom. Pogledajte *Odnos mešavine na stranici 388*.

Punjenje rezervoara za gorivo

1. Uverite se da je mešavina u dobrom odnosu i da je držite u sudu za gorivo sa ventilom koji sprečava propispanje.
2. Ako se u sudu već nalazi gorivo, uklonite je i sačekajte da se sud osuši.
3. Uverite se da je područje oko poklopca rezervoara za gorivo čisto.
4. Uklonite poklopac rezervoara za gorivo. (Sl. 46)
5. Promućkajte kantu za gorivo pre dolivanja mešavine goriva u rezervoar za gorivo.
6. Vratite poklopac rezervoara za gorivo na mesto.

Podmazivanje lanca

Proizvod ima automatski sistem za podmazivanje. Koristite samo odgovarajuće ulje za lanac i pridržavajte se uputstava.

1. Koristite ulje za lanac biljnog porekla ili standardno ulje za lanac.
2. Uverite se da je prostor oko poklopca rezervoara ulja za lanac čista.
3. Uklonite poklopac sa rezervoara ulja za lanac.
4. Napunite rezervoar ulja za lanac preporučenim uljem za lanac.
5. Vratite poklopac na rezervoar ulja za lanac.

Pre pokretanja motora

- Pregledajte proizvod kako biste se uverili da nema nedostajućih, oštećenih, labavih ili pohabanih delova.
- Pregledajte navrtke, zavrtnje i vijke.
- Pregledajte filter za vazduh.
- Proverite da li blokada prekidača gasa i komanda gasa ispravno rade.
- Pregledajte prekidač za zaustavljanje kako biste se uverili da ispravno radi.
- Proverite da li ima curenja goriva iz proizvoda.
- Proverite naoštrenost i zategnutost lanca.

Pokretanje hladnog motora

1. Pomerite prednji štitnik ruke ka napred da biste aktivirali kočnicu lanca. (Sl. 47)
2. Povucite regulator čoka napolje i nagore.
3. Pritisnite pumpu za gorivo 6 puta. (Sl. 48)
4. Držite proizvod na tlu levom rukom. Nemojte stajati na proizvod. Lagano povucite ručicu užeta startera dok ne osetite otpor. Zatim snažno povucite ručicu užeta startera. (Sl. 49)

Napomena: Nemojte pritiskati prekidač gasa prilikom pokretanja motora.

5. Nastavite da povlačite ručicu užeta startera dok se motor ne pokrene ili pokušajte da se pokrene (maks. 3 puta). Ako se motor pokrene ili pokušate da se pokrene, gurnite kontrolu čoka nadole. (Sl. 50)



OPREZ: Nemojte povlačiti užu startera dok se ne zaustavi. Nemojte puštati užu startera kada je potpuno izvučeno. Lagano otpustite užu startera. Ako se ne budete pridržavali ovih uputstava to može imati za posledicu oštećenje motora.

6. Nastavite da povlačite dok se motor ne pokrene. Sačekajte 60 sekundi nakon pokretanja pre nego što pritisnete prekidač gasa.
7. Povucite prednji štitnik ruke unazad prema prednjoj ručki, da biste deaktivirali kočnicu lanca.
8. Držite prednju dršku levom rukom a zadnju dršku desnom.
9. Koristite proizvod.

Pokretanje toplog motora

1. Pomerite prednji štitnik ruke ka napred da biste aktivirali kočnicu lanca. (Sl. 51)
2. Povucite regulator čoka napolje i nagore.
3. Pritisnite pumpu za gorivo 6 puta. (Sl. 52)
4. Gurnite regulator čoka nadole. (Sl. 53)
5. Držite proizvod na tlu levom rukom. Nemojte stajati na proizvod. Lagano povucite ručicu užeta startera dok ne osetite otpor. Zatim snažno povucite ručicu užeta startera. (Sl. 54)



OPREZ: Ne vucite užu startera dok se ne zaustavi. Nemojte puštati užu startera kada je potpuno izvučeno. Lagano otpustite užu startera. Pridržavajte se ovih uputstava da biste sprečili oštećenje motora.

Napomena: Nemojte pritiskati prekidač gasa prilikom pokretanja motora.

- Nastavite da povlačite ručicu užeta startera dok se motor ne pokrene ili pokušajte da se pokrene (maks. 3 puta). Sačekajte 60 sekundi nakon pokretanja pre nego što pritisnete prekidač gasa.
- Povucite štitnik prednje ruke unazad, u pravcu prednje drške, da biste deaktivirali kočnicu lanca.
- Držite prednju dršku levom rukom a zadnju dršku desnom.
- Koristite proizvod.

Pokretanje motora sa pretoplim gorivom

Ako se proizvod ne pokrene, možda je gorivo pregrejano.

Napomena: Uvek koristite novo gorivo i radite kraće po toplom vremenu.

- Stavite proizvod na hladno mesto dalje od direktnog sunčevog svetla.
- Sačekajte bar 20 minuta da se proizvod ohladi.
- Pritisnite pumpicu goriva 10-15 sekundi.
- Pratite postupak pokretanja hladnog motora. Pogledajte *Pokretanje hladnog motora na stranici 389*.

Zaustavljanje

- Pritisnite prekidač za zaustavljanje da biste zaustavili motor.

Napomena: Prekidač za zaustavljanje se automatski vraća u početni položaj.

Korišćenje oslonog nazuba

Osloni nazub sprečava povratni udar i pridržava drvo dok režete. Telo motora i mač se okreću oko oslonog nazuba.

- Postavite donji kraj oslonog nazuba tako da dobijete odgovarajuću širinu šarke.
- Levom rukom pritisnite prednju ručicu a desnom podižite zadnju.
- Režite dok ne dobijete odgovarajuću širinu brade.

Napomena: Širina brade mora da bude ujednačena.

- Izrežite stablo preko polovine prečnika i onda stavite klin za obaranje u rez.

Obaranje stabla

- Uklonite prijavštinu, kamenje, odvojenu koru, žicu i spone se stabla.

- Napravite urez do 1/3 prečnika stabla, pod pravim uglom u odnosu na pravac pada drveta. (Sl. 55)
- Napravite donji horizontalni urez. Time se sprečava uštinuće lanca ili mača kad se pravi drugi urez.
- Neka obarajući urez (X) bude bar 50 mm (2 in) iznad horizontalnog ureza. Obarajući urez treba da bude paralelan sa horizontalnim, tako da ostane dovoljno drveta da posluži kao brada. Ne režite kroz bradu. Drvo u bradi sprečava da se stablo uvrne i padne u neželjenom pravcu. (Sl. 56) i (Sl. 57)
- Stablo počinje da pada kad se obarajući urez približi bradi. Uverite se da stablo može da padne u odgovarajućem pravcu a ne da se zaljulja uzasad i uštine lanac. Da biste to sprečili, zaustavite rezanje pre nego što završite obarajući urez. Koristite drvene, plastične ili aluminijumske klinove da biste otvorili rez i omogućili drvetu da padne duž odgovarajuće linije pada. (Sl. 58)
- Kad stablo počne da pada, izvucite proizvod iz reza. Zaustavite motor, spustite proizvod i udaljite se isplaniranom putanjom za beg. Čuvajte se grana koje padaju i pazite gde ćete stati. (Sl. 59)

Odsecanje grana

- Odignite stablo sa tla većim granama.
- Odrežite manje grane jednim rezom. (Sl. 60)
- Odrežite napete grane odozdo nagore, da biste sprečili uštinuće lanca ili mača.

Rezanje stabla na trupce



OPREZ: Ne dozvolite da lanac testere udara o tlo.

- Ako se stablo oslanja celom dužinom, režite od gornjeg dela stabla (nadole). (Sl. 61)
- Ako je stablo oslonjeno na jednom kraju, izrežite 1/3 prečnika od donjeg dela stabla (nagore).
- Ako je stablo oslonjeno na dva kraja, izrežite 1/3 prečnika nadole. Završite rez tako što ćete izrezati 2/3 stabla nagore tako da dodirnete prvi rez. (Sl. 62)
- Ako režete trupce na padini, uvek stojte iznad stabla. Važno je da imate potpunu kontrolu nad proizvodom dok režete stablo. Zatim, popustite pritisak rezanja pri kraju reza dok istovremeno čvrsto držite zadnju ručku i prednju ručku. (Sl. 63)

ODRŽAVANJE



UPOZORENJE: Pročitajte i shvatite poglavlje o bezbednosti pre čišćenja, popravke ili održavanja proizvoda.

Šema održavanja

Pobrinite se da se pridržavate šeme održavanja. Intervali su izračunati na osnovu svakodnevnog korišćenja proizvoda. Intervali su različiti ako ne koristite proizvod svakog dana. Vršite samo one radove održavanja koji se mogu pronaći u ovom uputstvu. Obratite se ovlašćenom servisnom centru u pogledu drugih radova održavanja koji nisu navedeni u ovom uputstvu.

Svakodnevno održavanje

- Očistite spoljne površine.
- Uverite se da obarač i blokada obarača rade pravilno.
- Očistite kočnicu lanca i uverite se da pravilno radi.
- Pregledajte da li je hvatač lanca oštećen. Zamenite hvatač lanca ako je oštećen.
- Svakodnevno rotirajte mač radi ujednačenog habanja.
- Uverite se da otvor za podmazivanje u maču nije zapušten.
- Uklonite piljevinu i drugi neželjeni materijal iz dela ispod poklopca lančanika.
- Očistite žleb mača. (Sl. 64)
- Uverite se da mač i lanac dobijaju dovoljno ulja.
- Pregledajte:
 - ima li na lancu pukotina u zakivcima i karikama.
 - ima li na lancu nepravilno pohabanih zakivaka i karika.
 - da li je lanac pravilno zategnut.
 - ima li nepravilnih oštih ivica na pogonskim karikama lanca.

Ako je potrebno, zamenite lanac.

- Naoštrite lanac. Pogledajte *Oštrenje lanca na stranici 392*.
- Pregledajte da li je pogonski lančanik previše pohaban i zamenite ga ako je potrebno. (Sl. 65)
- Očistite usisnik vazduha kućišta motora.
- Uverite se da su vijci i matice pritegnuti.
- Uverite se da prekidač za uključivanje ispravno radi.

Nedeljno održavanje

- Uverite se da sistem za hlađenje pravilno radi.
- Uverite se da starter, uže startera i opruga za namotavanje pravilno rade.

- Uverite se da elementi za prigušivanje vibracija nisu oštećeni.

(Sl. 66)

- Oturjipajte sve brazgotine sa ivica mača.
- Očistite ili zamenite mrežicu hvatača varnica na prigušivaču.

(Sl. 67)

- Očistite spoljne površine karburatora i okolnog područja.
- Očistite filter za vazduh. Postavite novi filter za vazduh ako je oštećen ili previše prljav da bi se mogao propisno očistiti. Pogledajte *Čišćenje filtera za vazduh na stranici 392* za više informacija.

Mesečno održavanje

- Pregledajte da li je kočiona traka kočnice lanca pohabana. Zamenite je kad debljina kočione trake bude manja od 0,6 mm (0,024 in) na najpohabanim delu.

(Sl. 68)

- Pregledajte da li su centar, čaura i opruga kvačila pohabani.
- Očistite svećicu. Uverite se da je zazor između elektroda odgovarajući.

(Sl. 69)

- Očistite spoljne površine karburatora i okolnog područja.
- Pregledajte filter goriva i crevo za gorivo. Zamenite po potrebi.
- Ispraznite rezervoar za gorivo.
- Ispraznite rezervoar za ulje.
- Pregledajte sve kablove i veze.

Godišnje održavanje

- Pregledajte svećicu.
- Očistite spoljne površine karburatora i okolnog područja.
- Očistite sistem za hlađenje.
- Pregledajte hvatač varnica.
- Pregledajte filter za gorivo.
- Pregledajte da li postoji oštećenje na crevu za gorivo.
- Pregledajte sve kablove i veze.

Povremeno održavanje

- Neka ovlašćeni servisni centar popravi ili zameni auspuh posle 50 sati rada.
- Održavanje ekrana za hvatanje varnica je potrebno u sledećim slučajevima:
 - snaga motora je mala.
 - motor se teško pokreće.

- motor ne radi ravnomerno na brzini praznog hoda.
- Proverite sistem za podmazivanje lanca pri svakom dosipanju goriva. Pogledajte *Da biste proverili podmazanost lanca na stranici 393.*

Podešavanje brzine praznog hoda

Uverite se da je filter za vazduh čist i da je poklopac filtera za vazduh pričvršćen pre podešavanja brzine praznog hoda.

1. Okrećite zavrtnaj za podešavanje praznog hoda, označen oznakom „T“ udesno sve dok lanac ne počne da se okreće.
2. Okrećite zavrtnaj za podešavanje praznog hoda, označen oznakom „T“ ulevo sve dok se lanac ne zaustavi.
3. Brzina praznog hoda mora da bude manja od brzine pri kojoj lanac počinje da se okreće. Brzina praznog hoda je ispravna kada motor ravnomerno radi u svim položajima.

Održavanje hvatača varnica

- Očistite hvatač varnica pomoću žičane četke. (Sl. 70)

Održavanje svećice



OPREZ: Koristite preporučenu svećicu. Pobrinite se da je zamenjena svećica istog tipa kao ona isporučena od proizvođača. Neodgovarajuća svećica može izazvati oštećenje proizvoda.

1. Ako se proizvod teško pokreće i loše radi, proverite da li je svećica zaprljana. Da biste smanjili rizik od gomilanja neželjenog materijala na elektrodama svećice:
 - a) uverite se da je brzina praznog hoda pravilno podešena.
 - b) uverite se da je mešavina goriva ispravna.
 - c) uverite se da je filter za vazduh čist.
2. Očistite svećicu ako je zaprljana. Uverite se da je zazor između elektroda odgovarajući. (Sl. 71)
3. Zamenite svećicu po potrebi.

Čišćenje filtera za vazduh

1. Skinite poklopac filtera za vazduh i uklonite filter za vazduh. (Sl. 72)
2. Očistite filter za vazduh toplom sapunjavom vodom. Uverite se da je filter za vazduh suv pre nego što ga ponovo postavite.
3. Zamenite filter za vazduh ako je previše zaprljan i ne može se propisno očistiti. Uvek zamenite oštećeni filter za vazduh.

Oštrenje lanca

Rezač

Rezni deo lanca se naziva rezač i sastoji se od reznog zuba (A) i graničnika dubine (B). Dubina rezanja rezača određuje se razlikom u visini između ova dva dela, postavkom graničnika dubine (C).

(Sl. 73)

Postoje četiri važna faktora koja treba imati na umu prilikom oštrenja reznog zuba:

- Ugao turpijanja.

(Sl. 74)

- Ugao rezanja.

(Sl. 75)

- Položaj turpije.

(Sl. 76)

- Prečnik okrugle turpije.

(Sl. 77)

Oštrenje reznih zuba

Koristite okruglu i poluokruglu turpiju za oštrenje reznih zuba. Pogledajte *Turpijanje lanca motorne testere i kombinacije lanca motorne testere na stranici 395* za informacije o preporučenim dimenzijama turpija za lanac koji koristite na proizvodu.

(Sl. 78)

1. Uverite se da je lanac pravilno zategnut. Lanac koji nije pravilno zategnut beži na jednu stranu i ne oštiri se pravilno.
2. Isturpijajte sve zube na jednoj strani. Zatim isturpijajte rezne zube sa unutrašnje strane i smanjite pritisak pri povlačenju turpije u obrnutom smeru.
3. Okrenite proizvod na suprotnu stranu i isturpijajte zube.
4. Svi zubi bi trebalo da budu iste dužine. Zamenite istrošeni lanac kad se dužina reznih zuba smanji na 4 mm (5/32 in).

Podešavanje graničnika dubine

Naoštrite rezne zube pre podešavanja postavke graničnika dubine. Pogledajte *Oštrenje reznih zuba na stranici 392*. Kada oštrite rezni zub (A), postavka graničnika dubine (C) će se smanjiti. Kako biste održali optimalne performanse u rezanju, graničnik dubine (B) mora biti isturpijan kako bi se postigla preporučena postavka graničnika dubine. Odgovarajuću postavku graničnika dubine za vaš lanac možete da nađete na *Turpijanje lanca motorne testere i kombinacije lanca motorne testere na stranici 395*.

(Sl. 79)

(Sl. 80)

Napomena: Ova preporuka podrazumeva da dužina reznih zuba nije previše smanjena.

Podešavanje graničnika dubine vršite ravnom turpijom i alatom za podešavanje graničnika dubine.

1. Stavite alat za podešavanje graničnika dubine iznad lanca. Detaljne informacije o upotrebi alata za podešavanje graničnika dubine možete pronaći na pakovanju alata za podešavanje graničnika dubine.
2. Upotrebite pljosnату turpiju kako biste isturpili višak isturenog dela rezne ivice. Postigli ste ispravan razmak reznog alata ukoliko više ne osećate nikakav otpor kada prevlačite turpiju preko merača.

Zatezanje lanca

Napomena: Tokom perioda razrade često proveravajte zategnutost novog lanca.

1. Otпустite navrtke mača koje drže poklopac lančanika. Upotrebite kombinovani ključ. (Sl. 81)
2. Rukom pritegnite navrtke mača što jače možete.
3. Podignite gornji deo mača i produžite lanac tako što ćete pritegnuti zavrtanj za pritezanje lanca. Upotrebite kombinovani ključ. Pritežite lanac dok ne prestane da visi sa dna mača. (Sl. 82)
4. Pritežite navrtke mača kombinovanim ključem i istovremeno podignite vrh mača. (Sl. 83)

5. Uverite se da možete da lako povučete lanac rukom i da ne visi. (Sl. 84)

Podmazivanje opreme za rezanje

Da biste proverili podmazanost lanca

Proverite sistem za podmazivanje lanca pri svakom dosipanju goriva.

1. Pokrenite proizvod u pustite ga da radi na 3/4 brzine. Usmerite nos mača ka svetloj površini udaljenoj oko 20 cm (8 in).
2. Na svetloj površini će se posle 1 minut rada pojaviti crta od ulja.
3. Ako posle 1 minut ne vidite crtu od ulja, očistite kanal za ulje u maču. Očistite žleb u ivici mača. Uverite se da se nosni lančanik mača slobodno okreće i da otvor za podmazivanje nije zapušen. Očistite i podmažite lančanik na vrhu.
4. Pokrenite proizvod u pustite ga da radi na 3/4 brzine. Usmerite nos mača ka svetloj površini udaljenoj oko 20 cm (8 in).
5. Na svetloj površini će se posle 1 minut rada pojaviti crta od ulja.
6. Ako posle 1 minut ne vidite crtu od ulja, obratite se ovlašćenom prodavcu.

TRANSPORT

- Ispraznite rezervoare za gorivo i ulje za lanac pre transporta. Odbacite iskorišćene tečnosti na pravilan način.
- Stavite poklopac mača na nastavak za rezanje prilikom transporta. Time se sprečava da neko slučajno dodirne oštar lanac. I lanac motorne testere koji nije u pokretu može da povredi ako se dodirne.
- Uklonite kapicu sa svećice i aktivirajte kočnicu lanca pre transporta.
- Uverite se da proizvod ne može da se pomera tokom transporta.

SKLADIŠTENJE

- Uvek bezbedno odložite proizvod koji se ne koristi. Curenja i isparenja iz proizvoda mogu da dođu u dodir sa varnicama, otvorenim plamenom iz električne opreme, električnim kosačicama, relejima/ prekidačima, bojlerima i dr.
- Uvek čuvajte gorivo u odobrenom sudu.
- Ispraznite rezervoare za gorivo i ulje za lanac kad skladištite proizvod na duže. Odbacite iskorišćene tečnosti na pravilan način.
- Stavite poklopac mača na mač tokom skladištenja. Time se sprečava da neko slučajno dodirne oštar lanac. I lanac motorne testere koji nije u pokretu može da povredi ako se dodirne.
- Uklonite kapicu sa svećice i aktivirajte kočnicu lanca pre odlaganja.

TEHNIČKI PODACI

	jedinica	130 (H13038HV)	135 Mark II (H13038HV)
Specifikacije motora			
Pomeranje cilindra	cm ³	38	38
Svećica	—	NGK BPMR 7A	NGK BPMR 7A
Razmak elektroda	mm (in)	0,5 (0,02)	0,5 (0,02)
Zapremina rezervoara za gorivo	cm ³	350	350
Brzina praznog hoda	min ⁻¹	2800–3200	2800–3200
Izlazna snaga na 9000 min ⁻¹	kW	1,5	1,6
Period trajnosti emisija	h	125	125
Podaci o buci i vibracijama			
Ekvivalentni nivo vibracija (ahv, eq) leva ručka ¹³¹	m/s ²	3,72	3,72
Ekvivalentni nivo vibracija (ahv, eq) desna ručka ¹³²	m/s ²	5,5	5,5
Garantovani nivo jačine zvuka (L _{WA}) ¹³³	dB(A)	116	116
Nivo snage zvuka, izmeren ¹³⁴	dB(A)	114	114
Nivo pritiska zvuka u uhu rukovaoca ¹³⁵	dB(A)	102	102
Dimenzije proizvoda			
Težina (bez opreme za košenje)	kg	4,68 (10,3)	4,68 (10,3)
Zapremina rezervoara za ulje	cm ³	260	260
Sistem za gorivo i podmazivanje			
Kapacitet pumpe za ulje pri 9000 min ⁻¹	ml/min	9	9
Tip pumpe za ulje	—	Automatski	Automatski
Lanac testere i mač			
Standardna dužina mača	cm (in)	35–40 (14–16)	35–40 (14–16)
Preporučena dužina mača	cm (in)	35–40 (14–16)	35–40 (14–16)

¹³¹ Ekvivalentni nivo vibracija se računa kao suma vremenski ponderisane energije za različite nivoe vibracija pri raznim radnim uslovima. Podaci iz izveštaja za ekvivalentni nivo vibracija imaju tipičnu statističku disperziju (standardno odstupanje) od 1,5 m/s².

¹³² Ekvivalentni nivo vibracija se računa kao suma vremenski ponderisane energije za različite nivoe vibracija pri raznim radnim uslovima. Podaci iz izveštaja za ekvivalentni nivo vibracija imaju tipičnu statističku disperziju (standardno odstupanje) od 1,5 m/s².

¹³³ Emitovanje buke u okruženje mereno kao snaga zvuka (L_{WA}).

¹³⁴ Emitovanje buke u okruženje mereno kao snaga zvuka (L_{WA}).

¹³⁵ Ekvivalentni nivo zvučnog pritiska se računa kao suma vremenski ponderisane energije za različite nivoe zvučnog pritiska pri raznim radnim uslovima. Tipična standardna devijacija za ekvivalentni nivo zvučnog pritiska je 2,5 dB(A).

	jedinica	130 (H13038HV)	135 Mark II (H13038HV)
Upotrebjive dužine sečenja	cm (in)	33–38 (13–15)	33–38 (13–15)
Maksimalna brzina lanca	m/s	22,3	22,3
Korak zuba lanca	mm (in)	9,52 (3/8)	9,52 (3/8)
Debljina pogonskih karika (mera)	mm (in)	1,3 (0,050)	1,3 (0,050)
Tip pogonskog lančanika	—	Sa žlebom	Sa žlebom
Broj zuba pogonskog lančanika	—	6	6

OPREMA

Kombinacije mača i lanca motorne testere

Vodilica				Lanac	
Dužina	Nagib	Šablon	Maks. poluprečnik nosa	Tip	Broj pogonskih karika
14 inča	3/8 inča	0,050 inča	7T	Husqvarna H37	52
16 inča				Husqvarna S93G	56

Turpijanje lanca motorne testere i kombinacije lanca motorne testere

Tip lanca	Veličina okrugle turpije	Ugao bočne pločice	Ugao gornje pločice	Ugao vođice turpije	Podешavanje graničnika dubine	Kataloški broj graničnika dubine.	Kataloški broj poluokrugle turpije.
H37, S93G	5/32 in. 4,0 mm	80°	30°	0°	0,025 / 0,65	5056981-03	5052437-01

SADRŽAJ EZ DEKLARACIJE O USAGLAŠENOSTI

Mi, kompanija Husqvarna AB, SE 561 82 Huskvarna, ŠVEDSKA, izjavljujemo pod sopstvenom odgovornošću da je predstavljeni proizvod:

Opis	Benzinmotorna testera
Marka	Husqvarna

Opis	Benzinmotorna testera
Platforma/tip/model	Platforma H13038HV, predstavljeni model 130, 135 Mark II
Serijski broj	Serijski broj od 2018. i nadalje

u potpunosti usaglašen sa sledećim EU direktivama i propisima:

Direktiva/propis	Opis
2006/42/EZ	„koji se odnose na mašine“
2014/30/EU	„koji se odnose na elektromagnetsku kompatibilnost“
2000/14/EZ	„koji se odnose na buku u otvorenom prostoru“
2011/65/EU	„koji se odnose na ograničenje upotrebe određenih opasnih supstanci“

Primenjeni harmonizovani standardi i/ili tehničke specifikacije su sledeće: EN ISO 12100, EN ISO 11681-1, CISPR 12, ISO 14982

U skladu sa Direktivom 2000/14/EZ, Aneks V, deklarisanе vrednosti jačine zvuka su izložene u odeljku o tehničkim podacima u ovom uputstvu i u potpisanoj EU Deklaraciji o usaglašenosti.

TÜV Rheinland LGA Products GmbH, notifikovano telo za mašine (notifikovano pod brojem 0197), Tillystraße 2 - 90431 Nürnberg, Nemačka, izvršilo je pregled po tipu EZ u skladu sa direktivom 2006/42/EZ, član 12, tačka 3b.

Sertifikat pregleda tipa, u skladu sa Dodatkom IX, kako je dat u navedenoj deklaraciji o usaglašenosti EZ, važi za sva proizvodna mesta i zemlje porekla, kako je navedeno na proizvodu.

Ova testera odgovara primerku koji je bio podvrgnut pregledu tipa za EZ.

Sadržaj

UVOD.....	397	TRANSPORT.....	407
SIGURNOST.....	398	SKLADIŠTENJE.....	407
SASTAVLJANJE.....	402	TEHNIČKI PODACI.....	408
RAD.....	402	PRIBOR.....	409
ODRŽAVANJE.....	405	SADRŽAJ DEKLARACIJE EC O USKLAĐENOSTI.	409

UVOD

Priručnik za rad

Inicijalni jezik priručnika za rad je engleski. Priručnici za rad na drugim jezicima su prijevodi s engleskog.

Pregled

(Sl. 1)

1. Poklopac cilindra
2. Pumpica
3. Proizvod i pločica sa serijskim brojem
4. Informacije i naljepnica s upozorenjem
5. Prekidač za zaustavljanje
6. Zadnja drška
7. Rezervoar za gorivo
8. Ručka konopa za paljenje
9. Kućište startera
10. Oznaka smjera obaranja
11. Spremnika za ulje za lanac
12. Prednja ručka
13. Kočnica lanca i prednji štitnik za ruke
14. Auspuh
15. Lanac pile
16. Zupčanik vrha vodilice
17. Vodilica
18. Vijak za zatezanje lanca (130)
19. Vijak za zatezanje lanca (135 Mark II)
20. Šiljasti odbojnik
21. Hvatač lanca
22. Poklopac kvačila
23. Desni štitnik za ruke
24. Poluga gasa
25. Blokada poluge gasa
26. Poklopac vodilice
27. Kombinirani alat
28. Priručnik za rad

Simboli na proizvodu

- (Sl. 2) Upozorenje
(Sl. 3) Pročitajte ovaj priručnik

- (Sl. 4) Koristite odobrenu zaštitu za glavu, sluh i oči
(Sl. 5) Koristite odobrene zaštitne rukavice
Proizvod je usklađen s važećim direktivama EZ.
(Sl. 6)
(Sl. 7) Nivo jačine zvuka
Kočnica lanca, nije uključena (lijevo).
(Sl. 8) Kočnica lanca, uključena (desno).
(Sl. 9) Ručica za čok
(Sl. 10) Pumpica
(Sl. 11) Ponovno punjenje goriva
(Sl. 12) Nadolijevanje ulja za lanac
Ovaj proizvod je usklađen s važećim EAC direktivama
(Sl. 13)
Ovaj proizvod je usklađen s važećim direktivama Ukrajine.
(Sl. 14)
Ovaj proizvod je u skladu s važećim direktivama Koreje.
(Sl. 15)
Ovaj proizvod je u skladu s važećim direktivama Japana.
(Sl. 16)
(Sl. 17) Nivo buke
(Sl. 18) Držite proizvod propisno s obje ruke
(Sl. 19) Nemojte ga koristiti s jenom rukom
(Sl. 20) Izbjegavajte kontakt s vrhom vodilice
(Sl. 21) Budite oprezni zbog povratnog trzaja
Ovaj proizvod je usklađen s važećim direktivama o elektromagnetnoj kompatibilnosti za područje Australije i Novog Zelanda.
(Sl. 22)

Napomena: Drugi simboli/naljepnice na proizvodu odnose se na zahtjeve certifikacije za druga komercijalna područja.

Pravilo 65

(Sl. 23)

EU V



UPOZORENJE: Neovlaštenim otvaranjem proizvoda poništava se EU odobrenje tipa ovog proizvoda.

Odgovornost za proizvod

Kao što je navedeno u zakonima o odgovornosti za proizvod, mi nismo odgovorni za oštećenja koja uzrokuje naš proizvod ako:

- je proizvod pogrešno popravljen.
- je proizvod popravljen koristeći dijelove koji nisu od proizvođača ili koji nisu odobreni od strane proizvođača.
- proizvod ima dodatnu opremu koju nije napravio proizvođač ili koju proizvođač ne odobrava.
- proizvod nije popravljen u nekom od odobrenih servisa ili od strane odobrenog tijela.

SIGURNOST

Definicija sigurnosti

Definicije u nastavku daju stepen ozbiljnosti za svaku signalnu riječ.



UPOZORENJE: Ozljeđe kod osoba.



OPREZ: Oštećenje na proizvodu.

Napomena: Ove informacije čine proizvod lakšim za korištenje.

Opća sigurnosna uputstva

- Koristite proizvod na pravilan način. Povreda ili smrt je moguć ishod nepravilnog korištenja. Proizvod koristite samo za poslove koji su navedeni u ovom priručniku. Nemojte koristiti proizvod za druge poslove.
- Pročitajte i proučite upute u ovom priručniku i pridržavajte ih se. Poštujte sigurnosne simbole i sigurnosna uputstva. Ako operater ne poštuje uputstva i simbole, povreda, oštećenje ili smrt su mogući ishodi.
- Nemojte bacati ovaj priručnik. Koristite uputstva da sastavite, rukujete i održavate svoj proizvod u dobrom stanju. Koristite uputstva da biste pravilno ugradili priključke i dodatke. Koristite samo odobrene priključke i dodatke.
- Nemojte koristiti oštećen proizvod. Poštujte raspored održavanja. Obavljajte samo one radove na održavanju za koje pronađete uputstva u ovom priručniku. Sve druge radove na održavanju mora obavljati ovlašten servisni centar
- Ovaj priručnik ne može uključivati sve situacije koje se mogu desiti kada koristite proizvod. Budite oprezni i koristite svoj zdrav razum. Nemojte rukovati proizvodom ili obavljati radove na održavanju proizvoda ako niste sigurni u vezi situacije. Za informacije se obratite stručnjaku za proizvod, svom trgovcu, servisnom zastupniku ili ovlaštenom servisnom centru.
- Isključite kabl svjećice prije nego što sastavite proizvod, odložite proizvod na skladište ili prije radova na održavanju.
- Nemojte koristiti proizvod ako je promijenjen od svoje inicijalne specifikacije. Nemojte mijenjati dio proizvoda bez odobrenja od proizvođača. Koristite samo dijelove koji su odobreni od strane proizvođača. Povreda ili smrt je moguć ishod nepravilnog održavanja.
- Nemojte udisati pare iz motora. Udisanje izduvnih plinova iz motora, izmaglice ulja za lanac i piljevine tokom dužeg perioda može biti opasno po zdravlje.
- Nemojte pokretati proizvod u zatvorenom prostoru ili u blizini zapaljivih materijala. Ispušne pare su vruće i u njima može biti iskre koje mogu izazvati požar. Ako nema dovoljno protoka zraka, to za posljedicu može imati povredu ili smrt uslijed gušenja ili ugljen monoksida.
- Ovaj proizvod stvara elektromagnetno polje tokom rada. Elektromagnetno polje može izazvati oštećenje na medicinskim implantatima. Porazgovarajte s ljekarom i proizvođačem medicinskog implantata prije rada s proizvodom.
- Nemojte dopustiti da dijete rukuje proizvodom.
- Nemojte dopustiti osobi bez znanja o uputstvima da rukuje proizvodom.

- Uvijek nadgledajte osobu sa smanjenim fizičkim kapacitetom ili mentalnim sposobnostima kada koristi proizvod. Odgovorna osoba mora biti prisutna cijelo vrijeme.
- Zaključajte proizvod u području koje nije pristupačno djeci i ovlaštenim osobama.
- Proizvod može izbaciti predmete i izazvati povrede. Poštujte sigurnosna uputstva da biste smanjili opasnost od povrede ili smrti.
- Nemojte napuštati proizvod dok je motor uključen. Zaustavite motor i pazite da se lanac ne okreće.
- Rukovalac proizvodom je odgovoran ako dođe do nezgode.
- Prije korištenja proizvoda, uvjerite se da dijelovi nisu oštećeni.
- Pogledajte državne ili lokalne zakone. Oni mogu spriječiti ili smanjiti rad proizvoda u nekim uslovima.
- Uklonite sve neželjene materijale iz radnog područja prije nego počnete s radom. Ako lanac udari u neki predmet, taj predmet se može izbaciti iz proizvoda i izazvati povredu ili oštećenje. Neželjeni materijal se može okretati oko lanca i izazvati oštećenje.
- Nemojte koristiti proizvod pod lošim vremenskim uslovima kao što su magla, kiša, jak vjetar, opasnosti od грома ili drugi vremenski uslovi. Opasni uslovi, kao što je klizava površina, mogu se pojaviti uslijed lošeg vremena.
- Provjerite možete li se slobodno kretati u stabilnom položaju.
- Uvjerite se da ne možete pasti kada koristiti proizvod. Nemojte se naginjati kada rukujete proizvodom.
- Uvijek držite proizvod s dvije ruke. Držite prednju ručicu svojom lijevom rukom, a stražnju ručicu držite svojom desnom rukom. Proizvod držite s desne strane svog tijela.

Sigurnosna uputstva za rad

- Neprekidnim i redovnim korištenjem ovog proizvoda mogu nastati "bijeli prsti" ili slični zdravstveni problemi uzrokovani vibracijama. Ukoliko neprekidno ili redovno koristite ovaj proizvod pregledajte stanje šaka i prstiju. Ukoliko na šakama ili prstima primjetite bljedilo, osjetite bolove, trnce ili trnjenje, prestanite raditi i odmah se obratite ljekaru.
 - Uvjerite se da je proizvod u potpunosti sastavljen prije korištenja istog.
 - Proizvod može uzrokovati izbacivanje predmeta, što može izazvati povrede očiju. Uvijek koristite odobrenu zaštitu za oči kada rukujete proizvodom.
 - Budite oprezni, dijete može doći u blizinu proizvoda bez vašeg znanja tokom rada.
 - Nemojte rukovati proizvodom ako se u radnom području nalaze osobe. Zaustavite proizvod ako osoba uđe u radno područje.
- (Sl. 24)
- Uvjerite se da uvijek imate kontrolu nad proizvodom.
 - Proizvodom se mora rukovati s dvije ruke. Nemojte rukovati proizvodom samo jednom rukom. Može doći do teških povreda operatora, radnika, posmatrača ili svih zajedno ako se rad obavlja samo jednom rukom.
 - Držite prednju ručicu svojom lijevom rukom, a stražnju ručicu držite svojom desnom rukom. Proizvod držite s desne strane svog tijela.
- (Sl. 25)
- Nemojte koristiti proizvod kada ste umorni, bolesni ili pod utjecajem alkohola ili drugih droga/lijekova.
 - Nemojte koristiti proizvod ako ne možete primiti pomoć u slučaju da se dogodi nezgoda. Prije nego što pokrenete proizvod, upozorite ostale da ćete ga koristiti.
 - Nemojte se okretati s proizvodom prije nego što se uvjerite da nema osoba ili životinja u sigurnosnom području.
- (Sl. 26)
- Kada pokrećete proizvod, morate aktivirati kočnicu lanca kako bi se smanjila opasnost da vas lanac dodirne prilikom pokretanja.
- (Sl. 27)
- Spriječite povratni trzaj, klizanje, odbijanje i ispadanje, koji mogu uzrokovati teške povrede.
 - Poštujte sva sigurnosna uputstva kako biste spriječili povratni trzaj i ostale sile koje mogu izazvati teške povrede.
 - Redovno podešavajte zategnutost lanca pile kako biste bili sigurni da se lanac ne olabavi. Olabavljen lanac može odskočiti i izazvati teške povrede ili smrt.
 - Nemojte obarati stabla koristeći nepravilan postupak. To može izazvati povredu kod osoba, udariti u neki od mrežnih vodova ili izazvati štetu na imovini.
 - Rukovalac treba ostati na strani terena uzbrdo jer će se drvo vjerovatno otkrotirati ili kliznuti nizbrdo nakon obaranja.
- (Sl. 28)
- Planirajte i očistite putanju za bijeg prije početka sječenja. Putanja za bijeg treba se prostirati dijagonalno iza očekivane linije pada.
- (Sl. 29)
- Uvijek zaustavite motor prije nego što pomjerite proizvod između stabala.

- Vodite računa da čvrsto postavite stopala na tlo i ravnomjerno rasporedite svoju težinu.

(Sl. 30)

- Uvijek zauzmite stabilan stav nogama i rukujte proizvodom samo kada stojite na čvrstoj, sigurnoj i ravnoj površini. Klizave ili nestabilne površine, kao što su ljestve, mogu dovesti do gubitka ravnoteže ili kontrole.

(Sl. 31)

Povratni trzaji, klizanje, odskakanje i ispadanje

Razne sile mogu utjecati na sigurnu kontrolu nad proizvodom.

- **Klizanje** se dešava kada se vodilica kreće brzo preko drveta.
- **Odsakanje** se dešava kada se vodilica podigne s drveta i dodiruje ga opet i iznova.
- **Ispadanje** se dešava kada proizvod ispadne nakon što se napravi rez. To može izazvati pokrete lanca tako da on dodirne dio tijela ili druge predmete, uzrokujući tako povredu ili oštećenje.
- **Povratni trzaj** se dešava kada kraj vodilice dodiruje predmete i kada se kreće prema nazad, prema gore ili naglo prema naprijed. Povratni trzaj se također javlja kada se drvo zaklopi i stisne lanac pile tokom sječenja. Gubitak kontrole se može desiti ako proizvod dodirne neki predmet u drvetu. (Sl. 32)
- **Zaokretni povratni trzaj** se može desiti kada lanac u pokretu dotakne neki predmet na vrhu vodilice. To može izazvati da se lanac ukopa u predmet i da uzrokuje trenutno zaustavljanje lanca. Ishod je vrlo brza, povratna reakcija koja pomjera vodilicu prema gore i prema nazad u smjeru rukovaoca. (Sl. 33)
- **Uklješteni povratni trzaj** se može javiti kada se lanac pile iznenada zaustavi rokom sječenja. Drvo se zaklapa i stišće lanac pile u pokretu uzduž vrha vodilice. Naglo zaustavljanje lanca obrće silu lanca i uzrokuje da se proizvod kreće u smjeru suprotnom od okretanja lanca. Proizvod se kreće prema nazad u smjeru rukovaoca. (Sl. 34)
- **Uvlačenje** se može javiti ako se lanac pile naglo zaustavi kada lanac u pokretu dodirne neki predmet u drvetu duž dna vodilice. Naglo zaustavljanje povlači proizvod prema naprijed i dalje od rukovaoca, što lako može izazvati gubitak kontrole nad proizvodom od strane rukovaoca. (Sl. 35)

Uvjerite se da razumijete razne sile i na koji način iste možete spriječiti prije nego što počete rukovati proizvodom. Pogledajte *Da biste spriječili povratne trzaje, klizanje, odskakanje i ispadanje na strani 400.*

Da biste spriječili povratne trzaje, klizanje, odskakanje i ispadanje

- Dok motor radi, vodite računa da čvrsto držite proizvod. Svoju desnu ruku držite na stražnjoj ručki, a lijevu ruku na prednjoj ručki. Palčevima i prstima čvrsto držite oko ručki. Ne puštajte.
- Zadržite kontrolu nad proizvodom tokom sječenja i nakon što stablo padne na tlo. Nemojte dopustiti da zbog težine proizvod ispadne nakon obavljenog sječenja.
- Uvjerite se da je područje u kojem vršite sječu oslobođeno od prepreka. Nemojte dopustiti da vrh vodilice dodiruje trupac, granu ili druge prepreke dok rukujete proizvodom. (Sl. 36)
- Sječu vršite pri velikim brzinama motora.
- Nemojte prebacivati ili rezati iznad visine ramena. (Sl. 37)
- Poštujte uputstva za oštrenje i održavanje koja je isporučio proizvođač za lanac pile.
- Koristiti samo zamjenske vodilice i lance pile koje je specificirao proizvođač.
- Opasnost od povratnog trzaja se povećava ako je mjerča dubine podešen previše.

Lična zaštitna oprema

- Uvijek koristite pravilnu opremu za ličnu zaštitu kada rukujete proizvodom. Oprema za ličnu zaštitu smanjuje stepen povreda ako dođe do nezgode, ali ih ne briše.
- Nemojte koristiti lepršavu odjeću koja može biti uhvaćena u lanac pile.
- Koristite odobrenu zaštitnu kacigu.
- Uvijek koristite odobrenu zaštitu za uši dok rukujete proizvodom. Buka tokom dužeg perioda može izazvati gubitak sluha.
- Koristite zaštitne naočale ili vizir za cijelo lice kako biste smanjili opasnost od povrede od letećih predmeta. Proizvod može pomjerati predmete pomoću jake sile, poput drvnih sječki i malih komada drveta. To može dovesti do ozbiljne povrede, uključujući i povredu očiju.
- Koristite rukavice sa zaštitom za motornu pilu.
- Koristite hlače sa zaštitom za motornu pilu.
- Koristite čizme sa zaštitom za motornu pilu, s čeličnom oblogom na nožnim prstima i protukliznim donovima.
- Osigurajte da u blizini imate pribor prve pomoći.
- Varnice mogu doći iz prigušivača, vodilice i lanca ili iz drugih izvora. Uvijek imajte u blizini alate za gašenje požara i lopatu kako biste spriječili šumski požar.

Zaštitni uređaji na proizvodu

- Nemojte koristiti proizvod koristeći oštećenu zaštitnu opremu. Ako je proizvod oštećen, obratite se ovlaštenom servisnom centru.

Da biste provjerili prekidač za zaustavljanje

1. Pokrenite motor. Pogledajte *Prije nego što pokrenete motor na strani 403*.
2. Provjerite da li se motor zaustavlja kada prekidač za zaustavljanje pomjerite u položaj za zaustavljanje.

Pregled blokade ručice gasa

1. Uvjerite se da je poluga gasa (B) zaključana u stanju mirovanja kada oslobodite isključivanje poluge gasa (A) (Sl. 38).
2. Pritisnite za isključivanje poluge gasa (A) i uvjerite se da se ona vraća u svoj početni položaj kada je oslobodite.
3. Pritisnite polugu gasa (A) i uvjerite se da se ona vraća u svoj početni položaj kada je oslobodite.
4. Pokrenite motor i potom dajte puni gas.
5. Oslobodite polugu gasa i ispitajte da li se lanac pile zaustavlja.
6. Ako se lanac pile okreće s gasom u položaju mirovanja, ispitajte vijak za podešavanje u stanju mirovanja u karburatoru.

Štitnik

Štitnik sprječava izbacivanje predmeta u smjeru rukovaoca. Štitnik sprječava slučajni kontakt između rukovaoca i motorne pile.

- Uvjerite se da je štitnik dopušten za rad u kombinaciji s proizvodom.
- Nemojte koristiti proizvod bez datog štitnika.
- Uvjerite se da štitnik nije oštećen. Zamijenite štitnik ako je istrošen ili ako ima pukotina.

Sigurnosne mjere pri rukovanju sa gorivom

- Nemojte pokretati proizvod ako u proizvodu ima goriva ili motornog ulja na proizvodu. Odstranite neželjeno gorivo/ulje i dopustite da se proizvod osuši. Odstranite neželjeno gorivo s proizvoda.
- Ako prolijete gorivo po odjeći, odmah presvucite odjeću.
- Nemojte dopustiti da gorivo dospije na tijelo, to može izazvati povredu. Ako gorivo dospije na odjeću, koristite sapun i vodu da odstranite gorivo.
- Nemojte pokretati motor ako prolijete ulje ili gorivo po proizvodu ili po svom tijelu.
- Nemojte pokretati proizvod ako se na motoru javlja curenje. Redovno provjeravajte motor na curenje.
- Budite oprezni s gorivom. Gorivo je zapaljivo i pare su eksplozivne i mogu izazvati povrede ili smrt.
- Nemojte udisati pare od goriva, to može izazvati povredu. Uvjerite se da ima dovoljno protoka zraka.
- Nemojte pušiti u blizini goriva ili motora.
- Nemojte stavljati tople predmete u blizini goriva ili motora.
- Nemojte dodavati gorivo kada je motor uključen.

- Uvjerite se da je motor hladan prije nego dopunite gorivo.
- Prije dopunjavanja gorivom, otvorite poklopac rezervoara za gorivo i pažljivo oslobodite pritisak.
- Nemojte dodavati gorivo u motor u zatvorenom prostoru. Nedovoljni protok zraka može izazvati povredu ili smrt zbog nedostatka kisika ili ugljičnog monoksida.
- Pažljivo pričvrstite poklopac spremnika za gorivo ili bi moglo doći do požara.
- Pomjerite proizvod minimalno 3 m (10 stopa) od položaja gdje ste punili spremnik za gorivo prije pokretanja proizvoda.
- Nemojte stavljati previše goriva u spremnik za gorivo.
- Uvjerite se da ne može doći do curenja kada pomjerite proizvod ili spremnika za gorivo.
- Nemojte stavljati proizvod ili spremnik za gorivo gdje postoji otvoreni plamen, iskra ili plinski plamen. Uvjerite se da područje za skladištenje ne sadrži otvoreni plamen.
- Koristite samo odobrene spremnika kada pomjerate gorivo ili stavljate gorivo u skladište.
- Ispraznite spremnik za gorivo prije dugotrajnog skladištenja. Poštujte lokalni zakon o tome gdje odlagati gorivo.
- Očistite proizvod prije dugotrajnog skladištenja.
- Skinite kabl svjećice prije nego što stavite proizvod u skladište kako biste bili sigurni da se motor neće pokrenuti slučajno.

Sigurnosna uputstva za održavanje

- Isključite svjećicu prije obavljanja radova na održavanju proizvoda, ne uključujući podešavanja karburatora.
- Neka sve radove na servisiranju proizvoda obavi ovlašten trgovac, ne uključujući poslove u *ODRŽAVANJE na strani 405*.
- Vodite računa da se lanac pile zaustavlja kada se otpusti ručica.
- Drške treba da su suhe, čiste, bez ulja ili mješavine goriva.
- Poklopci i steznici treba da budu propisno pričvršćeni.
- Zamjenske komponente koje nisu odobrene ili uklanjanje sigurnosnih uređaja može uzrokovati štetu na proizvodu. To takođe može uzrokovati povredu za rukovaoca ili posmatrača. Koristite samo ovaj pribor i zamjenske dijelove koji su preporučeni. Nemojte mijenjati proizvod.
- Lanac pile održavajte naoštrenim i čistim za sigurne i visoke performanse.
- Poštujte uputstva za podmazivanje i zamjenu dodatne opreme.
- Provjerite da li na proizvodu ima oštećenih dijelova. Prije višekratne upotrebe proizvoda uvjerite se da oštećeni štitnik ili dio radi ispravno. Pregledajte da li ima pokvarenih ili neispravno poravnatih dijelova, te

da li ima dijelova koji se ne kreću slobodno. Pregledajte da li ima drugih stanja koji mogu imati utjecaj na rad proizvoda. Uvjerite se da je proizvod pravilno instaliran. Štitnik ili drugi oštećeni dio mora popraviti ili zamijeniti ovlaštenu trgovac osim u slučaju da je napisano u priručniku za rad.

- Kada nije u upotrebi, držite proizvod na suhom, podignut na visokom mjestu i u zaključanoj prostoriji, dalje od dohvata djece.

- Tokom transporta ili skladištenja proizvoda, koristite poklopac vodilice ili kućište da premjestite proizvod.
- Nemojte koristiti izgoreno ulje. Izgoreno ulje može biti opasno po vas i može uzrokovati štetu na proizvodu i okruženju.

SASTAVLJANJE



UPOZORENJE: Pročitajte i proučite poglavlje za sigurnosna uputstva prije nego što sastavite proizvod.

Da biste sastavili vodilicu i lanac pile

1. Uklonite poklopac svječiće sa svječiće tokom sastavljanja kako biste spriječili slučajno pokretanje. (Sl. 39) (Sl. 40)
 2. Uklonite matice mača i poklopac kvačila. Uklonite štitnik za transport (A). (Sl. 41)
 3. Stavite vodilicu iznad mjesta za vijke. Vodilicu podesite u njen zadnji položaj.
 4. Stavite zaštitne rukavice za motornu pilu.
 5. Podignite lanac pile iznad pogonskog zupčanika i učvrstite ga u utor na vodilici. Počnite na gornjem rubu vodilice. (Sl. 42)
 6. Provjerite da li su rubovi na člancima za rezanje okrenuti prema naprijed na gornjem rubu vodilice.
 7. Sastavite poklopac kvačila i namjestite klin podešivača lanca u rupu u vodilici.
8. Uvjerite se da se pogonski članci lanca pile uklapaju pravilno na pogonski zupčanik. Takođe se uvjerite da je lanac pile ispravno pričvršćen u utor u vodilici.
 9. Rukom pritegnite navrtke vodilice.
 10. Zategnite lanac pile tako što ćete vijak za zatezanje lanca okretati u smjeru kazaljke na satu pomoću kombiniranog ključa. Zategnite lanac motorne pile dok ne ulegne ispod vodilice, ali da ga možete lako okretati rukom. (Sl. 43) i (Sl. 44)
 11. Držite kraj vodilice i pritegnite navrtke pomoću kombinovanog ključa. (Sl. 45)
 - Često provjeravajte zategnutost lanca nakon što sastavite novi lanac pile i dok se lanac pile ne pokrene.
 - Redovno provjeravajte zategnutost lanca. Popravite rezultate zategnutosti lanca prema dobrim performansama rezanja i za dugi vijek trajanja.

RAD



UPOZORENJE: Pročitajte i proučite poglavlje za sigurnosna uputstva prije početka rada s proizvodom.

Korištenje goriva



OPREZ: Ovaj proizvod ima dvotaktni motor. Koristite mješavinu benzina i ulja za dvotaktni motor. Uvjerite se da koristite tačnu količinu ulja u smjesi. Netačan odnos benzina i ulja može izazvati oštećenje na motoru.

Odnos mješavine goriva

Odnos mješavine goriva za benzin i ulje za dvotaktni motor je 50:1 (2%)

Benzin	Ulje za dvotaktni motor
1 SAD galon	77 ml (2,6 unci)

Benzin	Ulje za dvotaktni motor
1 UK galon	95 ml (3,2 unce)
5 l	100 ml (3,4 unce)

Za pravljenje mješavine goriva

1. Odredite tačnu količinu benzina i motornog ulja (odnos smjese 50:1) Nemojte praviti količinu mješavine goriva za više od 30 dana. Pogledajte *Odnos mješavine goriva na strani 402.*
2. Dodajte polovinu količine benzina u čisti spremnik goriva s ventilom protiv proljevanja.



OPREZ: Nemojte koristiti benzin s više od 10% koncentracije etanola (E10). To može izazvati oštećenje na proizvodu.



OPREZ: Nemojte koristiti benzin s brojem oktana koji je manji od 90 RON (87 AKI). To može izazvati oštećenje na proizvodu.

Napomena: Koristite benzin s većim brojem oktana ako često koristite proizvod pri stalnoj velikoj brzini.

3. Dodajte cijelu količinu ulja za dvotaktni motor u spremnik za gorivo.



OPREZ: Uvijek koristite zrakom ohlađeno ulje za dvotaktni motor visoke kvalitete. Druga ulja mogu izazvati oštećenje na proizvodu.

4. Protresite mješavinu goriva kako biste izmiješali sadržaj.
5. Dodajte preostalu količinu benzina u spremnik za gorivo.
6. Protresite mješavinu goriva kako biste izmiješali sadržaj.
7. Napunite spremnik za gorivo proizvoda mješavinom goriva. Pogledajte *Odnos mješavine goriva na strani 402*.

Da biste napunili spremnik za gorivo

1. Uvjerite se da je mješavina goriva ispravna i da je mješavina goriva u spremniku za gorivo s ventilom protiv prolijevanja.
2. Ako se gorivo nalazi na spremniku, uklonite neželjeno gorivo i ostavite da se spremnik osuši.
3. Uvjerite se da je područje koje se nalazi u blizini spremnika za gorivo čisto.
4. Uklonite poklopac rezervoara za gorivo (Sl. 46)
5. Protresite spremnik za gorivo prije nego što dodate mješavinu goriva u spremnik za gorivo.
6. Vratite poklopac spremnika za gorivo.

Da biste podmazali lanac pile

Proizvod ima sistem automatskog podmazivanja. Uvjerite se da koristite samo ispravno ulje za lanac pile i pridržavajte se uputstava.

1. Koristite ulje za lanac pile na bazi povrća ili standardno ulje za lanac.
2. Uvjerite se je područje u blizini poklopca spremnika za ulje za lanac pile čisto.
3. Uklonite poklopac spremnika za ulje za lanac pile.
4. Napunite spremnik za ulje za lanac pile preporučenim uljem za lanac pile.
5. Vratite poklopac spremnika za ulje za lanac pile.

Prije nego što pokrenete motor

- Provjerite proizvod po pitanju nedostajućih, oštećenih, labavih ili pohabanih dijelova.

- Provjerite podloške, vijke i navrtke.
- Provjerite filter za zrak.
- Provjerite blokadu poluga gasa i kontrolu gasa radi ispravnog rada.
- Provjerite prekidač za zaustavljanje radi ispravnog rada.
- Pregledajte ima li curenja goriva na proizvodu.
- Provjerite naoštrenost i zategnutost lanca pile.

Pokretanje hladnog motora

1. Pomjerite prednji štitnik za ruku prema naprijed da aktivirate kočnicu lanca. (Sl. 47)
2. Povucite ručicu za kontrolu čoka prema van i gore.
3. Pritisnite pumpicu 6 puta. (Sl. 48)
4. Kućite proizvoda držite na tlu lijevom rukom. Nemojte stajati na proizvod. Povucite ručku konopa za paljenje dok ne osjetite otpor. Zatim povucite ručku konopa za paljenje koristeći silu. (Sl. 49)

Napomena: Nemojte povlačiti polugu gasa prilikom pokretanja motora.

5. Nastavite povlačiti ručku konopa za paljenje dok se motor ne pokrene ili pokuša pokrenuti (maksimalno 3 povlačenja). Ako se motor pokrene ili pokuša pokrenuti, pritisnite ručicu za čok prema dolje. (Sl. 50)



OPREZ: Nemojte povlačiti konop za paljenje dok se ne zaustavi. Ne puštajte konop za paljenje kada je izvučen do kraja. Polako otpustite konop za paljenje. Ako se ne pridržavate ovih uputstava, to može izazvati oštećenje na motoru.

6. Nastavite povlačiti dok se motor ne pokrene. Sačekajte 60 sekundi nakon pokretanja prije nego što povučete polugu gasa.
7. Povucite prednji štitnik za ruke nazad prema prednjoj ručki kako biste otpustili kočnicu lanca.
8. Držite stražnju ručicu desnom rukom, a prednju ručicu lijevom.
9. Koristite proizvod.

Da biste pokrenuli zagrijan motor.

1. Pomjerite prednji štitnik za ruku prema naprijed da aktivirate kočnicu lanca. (Sl. 51)
2. Povucite ručicu za kontrolu čoka prema van i gore.
3. Pritisnite pumpicu 6 puta. (Sl. 52)
4. Gurnite ručicu za kontrolu čoka prema dolje. (Sl. 53)
5. Kućite proizvoda držite na tlu lijevom rukom. Nemojte stajati na proizvod. Povucite ručku konopa za paljenje dok ne osjetite otpor. Zatim povucite ručku konopa za paljenje koristeći silu. (Sl. 54)



OPREZ: Nemojte povlačiti konop za paljenje prije nego što se potpuno zaustavi. Ne puštajte konop za paljenje kada je izvučen do kraja. Polako otpustite konop za paljenje. Poštujte ova uputstva kako biste spriječili oštećenja na motoru.

Napomena: Nemojte povlačiti polugu gasa prilikom pokretanja motora.

6. Nastavite povlačiti ručku konopa za paljenje dok se motor ne pokrene ili pokušajte pokrenuti (maksimalno 3 povlačenja). Sačekajte 60 sekundi nakon pokretanja prije nego što povučete polugu gasa.
7. Povucite prednji štitičnik za ruke prema nazad u smjeru prednje ručke kako biste otpustili kočnicu lanca.
8. Držite stražnju ručicu desnom rukom, a prednju ručicu lijevom.
9. Koristite proizvod.

Da biste pokrenuli motor kada je gorivo pregrijano

Ako ne možete pokrenuti proizvod, moguće je da je gorivo pregrijano.

Napomena: Uvijek koristite novo gorivo i smanjite vrijeme rada tokom toplog vremena.

1. Odložite proizvod u hladno područje dalje od direktne sunčeve svjetlosti.
2. Ostavite proizvod da se ohladi minimalno 20 minuta.
3. Ponovo pritisnite pumpicu nekoliko puta tokom 10-15 sekundi.
4. Poštujte postupak za pokretanje hladnog motora. Pogledajte *Pokretanje hladnog motora na strani 403*.

Zaustavljanje

- Pritisnite prekidač za zaustavljanje da zaustavite motor.

Napomena: Prekidač za zaustavljanje se automatski vraća u svoj početni položaj.

Da biste koristili šiljasti odbojnik

Šiljasti odbojnik sprječava povratne trzaje i drži drvo kako ga režete. Šiljasti odbojnik je centralna tačka između tijela motora i vodilice.

1. Stavite donji kraj šiljastog odbojnika na ispravnu širinu zgloba.
2. Pritisnite, svojom lijevom rukom, na prednju ručku dok dižete stražnju ručku pomoću svoje desne ruke.
3. Pilajte dok ne dobijete ispravnu širinu zgloba.

Napomena: Zglob mora imati jednaku debljinu.

4. Pilajte više od pola prečnika i zatim stavite klin za obaranje u napravljeni rez.

Da biste oborili stablo

1. Uklonite nečistoće, kamenje, labavu koru, eksere, spajalice i žicu iz stabla.
2. Napravite urez od 1/3 prečnika stabla, okomito na smjer pada. (Sl. 55)
3. Napravite donji horizontalni urez. To pomaže u sprječavanju uklještenja lanca pile ili vodilice kada se napravi drugi urez.
4. Napravite rez za obaranje unazad (X) minimalno 50 mm (2 inča) više od horizontalnog ureza. Neka rez za obaranje unazad bude paralelan s horizontalnim urezom tako da dovoljno drveta ostane za zglob. Nemojte rezati kroz zglob. Zglob drveta čuva stablo od uvrtnja i od padanja prema nepravilnom smjeru. (Sl. 56) i (Sl. 57)
5. Kako se rez za obaranje unazad približava zglobu, stablo počinje padati. Uvjerite se da stablo može pasti u ispravnom smjeru i da se ne zaljulja prema nazad i uklješti lanac pile. Zaustavite rezanje prije nego što završite rez za pad unazad kako biste to spriječili. Koristite klinove drveta, plastike ili aluminija da otvorite rez i dopustite da stablo padne duže potrebne linije pada. (Sl. 58)
6. Kada stablo počne padati, uklonite proizvod iz mjesta gdje na napravljen rez. Zaustavite motor, odložite proizvod na tlo i koristite planiranu putanju za bijeg. Pazite na grane koje padaju odozgo i vodite računa o svojim stopalima. (Sl. 59)

Da biste tesali grane sa stabla

1. Koristite veće grane da pridržavaju trupac odignut od tla.
2. Uklonite male grane jednim rezom. (Sl. 60)
3. Odsijecite grane koje su zategnute od dna prema vrhu kako biste time spriječili uklještenje lanca pile ili vodilice.

Rezanje trupac na klade



OPREZ: Nemojte dopustiti da lanac pile dodirne tlo.

- Ako trupac ima potporu duž cijele dužine, režite s gornje strane trupca (poznato kao tesanje od vrha ka dnu). (Sl. 61)
- Ako trupac ima potporu na jednom kraju, režite 1/3 prečnika s donje strane trupca (poznato kao tesanje od dna ka vrhu).
- Ako trupac ima potporu na dva kraja, režite 1/3 prečnika s gornje strane. Dvorište rezanje tesanjem ispod 2/3 trupca da dođete do prvog reza. (Sl. 62)

- Ako trupac tešete na kosini, uvijek stanite na strani koje je okrenuta uzbrdo od trupca. Režite kroz trupac dok istovremeno imate potpunu kontrolu nad

proizvodom. Potom oslobodite pritisak rezanja u blizini kraja reza dok čvrsto držite stražnju i prednju ručku. (Sl. 63)

ODRŽAVANJE



UPOZORENJE: Pročitajte i proučite poglavlje za sigurnosna uputstva prije čišćenja, popravljivanja ili održavanja proizvoda.

Plan održavanja

Uvjerite se da se pridržavate rasporeda održavanja. Intervali se računaju prema dnevnoj upotrebi proizvoda. Intervali se razlikuju ako ne koristite proizvod svaki dan. Obavljajte samo one radove na održavanju koje pronađete u ovom priručniku. Obratite se ovlaštenom servisnom centru u vezi drugih radova na održavanju koje ne možete pronaći u ovom priručniku.

Svakodnevno održavanje

- Očistite vanjske površine.
- Uvjerite se da blokada prekidača i prekidač rade ispravno.
- Očistite kočnicu lanca i uvjerite se da radi ispravno.
- Provjerite hvatač lanca radi oštećenja. Zamijenite hvatač lanca ako je oštećen.
- Okrenite vodilicu svaki dan radi ravnomjernijeg trošenja.
- Uvjerite se da rupica za podmazivanje u vodilici nije začepljena.
- Uklonite prašinu s pile i ostali neželjeni materijal ispod poklopca lančanika.
- Očistite utor vodilice. (Sl. 64)
- Uvjerite se da vodilica i lanac pile dobivaju dovoljno ulja.
- Provjerite lanac pile:
 - radi pukotina na zakovicama i vezama.
 - radi nepravilnog trošenja zakovica i veza.
 - radi ispravne zategnutosti.
 - radi bruseva na vezama pogona lanca.

Ako je potrebno, zamijenite lanac pile.

- Naoštrite lanac pile. Pogledajte *Da biste naoštrili lanac pile na strani 406*.
- Provjerite pogonski zupčanik radi previše trošenja i zamijenite ga po potrebi. (Sl. 65)
- Očistite usisnik zraka kućišta motora.
- Uvjerite se da su navrtke i vijci pričvršćeni.
- Vodite računa da prekidač za pokretanje ispravno radi.

Sedmično održavanje

- Uvjerite se da sistem hlađenja radi ispravno.

- Vodite računa da starter, konop za paljenje i povratna opruga rade ispravno.
- Vodite računa da elementi za ublažavanje vibracija nisu oštećeni.

(Sl. 66)

- Odstranite sve brazde s rubova vodilice.
- Očistite ili zamijenite mrežicu za odvođenje iskre na prigušivaču.

(Sl. 67)

- Očistite vanjske površine karburatora i područja u njegovoj blizini.
- Očistite filter zraka. Postavite novi filter zraka ukoliko je postojeći oštećen ili previše zaprljan da bi se mogao očistiti. Pogledajte *Čišćenje zračnog filtera na strani 406* za više informacija.

Mjesečno održavanje

- Provjerite oblogu kočnice na kočnici lanca radi trošenja. Zamijenite kada je debljina obloge kočnice manja od 0,6 mm (0,024 inča) na tački koja je najviše istrošena.

(Sl. 68)

- Provjerite centar kvačila, korpu kvačila i oprugu kvačila radi trošenja.
- Očistite svječiću. Vodite računa da zazor elektrode bude ispravan.

(Sl. 69)

- Očistite vanjske površine karburatora i područja u njegovoj blizini.
- Provjerite filter za gorivo i crijevo za gorivo. Zamijenite svječiću po potrebi.
- Ispraznite spremnik za gorivo.
- Ispraznite spremnik za ulje.
- Ispitajte sve kablove i spojeve.

Godišnje održavanje

- Provjerite svječiću.
- Očistite vanjske površine karburatora i područja u njegovoj blizini.
- Očistite sistem za hlađenje.
- Provjerite zaslon odvodnika iskri.
- Provjerite filter za gorivo.
- Provjerite crijevo goriva radi oštećenja.
- Ispitajte sve kablove i spojeve.

Povremeno održavanje

- Neka ovlašteno servisno centar vrši popravku ili zamjenu prigušivača nakon 50 sati rada.

- Radove održavanja na svjeđici uradite kada:
 - je nivo napona u motoru nizak
 - je teško pokrenuti motor
 - motor ne radi ispravno pri brzini u praznom hodu.
- Provjerite podmazanost lanca pile svaki put kada punite gorivo. Pogledajte *Da biste provjerili podmazivanje lanca pile na strani 407.*

Da biste podesili brzinu u praznom hodu

Uvjerite se da je filter za zrak čist i da je poklopac filtera za zrak pričvršćen prije nego što podesite brzinu u praznom hodu.

1. Okrenite vijak za podešavanje, koji je identificiran oznakom "T", u smjeru kazaljke na satu dok se lanac pile ne pođe okretati.
2. Okrenite vijak za podešavanje, koji je identificiran oznakom "T", u smjeru suprotnom od smjera kazaljke na satu dok se lanac pile ne zaustavi.
3. Brzina u praznom hodu mora biti manja od brzine pri kojoj se lanac pile počinje okretati. Brzina u praznom hodu je pravilno namještena kada motor glatko radi u svakom položaju.

Da biste obavili radove na održavanju na zaslonu odvodnika iskri

- Koristite žičanu četku da očistite mrežicu odvodnika iskri. (Sl. 70)

Da biste obavili radove održavanja na svjeđici



OPREZ: Koristite preporučene svjeđice. Uvjerite se da zamijenjeni dio bude isti kao i dio kojeg je osigurao proizvođač. Nepravilna svjeđica može izazvati oštećenje na proizvodu.

1. Ako je proizvod teško pokrenuti ili ne radi glatko, provjerite svjeđicu zbog neželjenih materijala. Da biste smanjili opasnost od neželjenih materijala na elektrodama svjeđice:
 - a) Uvjerite se da je brzina u praznom hodu ispravno podešena,
 - b) uvjerite se da je mješavina goriva ispravna,
 - c) uvjerite se da je filter za zrak čist.
2. Očistite svjeđicu ako je prljava. Vodite računa da zazor elektrode bude ispravan. (Sl. 71)
3. Zamijenite svjeđicu kad je to potrebno.

Čišćenje zračnog filtera

1. Uklonite poklopac filtera za zrak i uklonite filter za zrak. (Sl. 72)

2. Očistite filter za zrak toplom sapunjavom vodom. Uvjerite se da je filter za zrak suh prije nego ga postavite.
3. Zamijenite filter zraka ako je previše prljav kako biste ga potpuno očistili. Uvijek zamijenite oštećeni filter za zrak.

Da biste naoštrili lanac pile

Rezač

Rezni dio lanca pile se naziva rezač i sastoji se od reznih zuba (A) i mjerača dubine rezanja (B). Dubina rezanja rezača se određuje pomoću razlike u visini između tu dvoje, postavka mjerača dubine (C).

(Sl. 73)

Kada naoštrite rezne zube treba zapamtiti četiri važne stavke:

- Ugao oštrenja. (Sl. 74)
- Ugao rezanja. (Sl. 75)
- Položaj za oštrenje. (Sl. 76)
- Prečnik okrugle turpije. (Sl. 77)

Da biste naoštrili zubac za rezanje

Koristite okruglu turpiju i mjerac turpije da naoštrite zubac za rezanje. Pogledajte *Oštrenje lanca pile i kombinacije lanca pile na strani 409* za informacije o preporučenim dimenzijama turpije i mjerača za lanac pile koji je ugrađen na vašem proizvodu. (Sl. 78)

1. Uvjerite se da je lanac pile ispravno zategnut. Lanac bez pravilne zategnutosti pomjera se na jednu stranu i ne oštiri se ispravno.
2. Koristite turpiju na svim zupcima na jednoj strani. Potom koristite turpiju na zupcima za rezanje s unutrašnje strane i smanjite pritisak prilikom vraćanja.
3. Okrenite proizvod na suprotnu stranu i koristite turpiju na zupcima.
4. Koristite turpiju da održavate istu dužinu na svim zupcima. Zamijenite istrošeni lanac pile kada se dužina zubaca az rezanje smanji na 4 mm (5/32 inča).

Podešavanje postavke mjerača dubine

Naoštrite rezne zupce prije nego što podesite mjerac dubine. Pogledajte *Da biste naoštrili zubac za rezanje na strani 406*. Kada oštrite rezne zube (A), postavka mjerača dubine (C) će se smanjiti. Da bi se održalo optimalan rad rezanja, mjerac dubine (B) treba skratiti kako bi se postigla preporučena postavka dubine. Pogledajte *Oštrenje lanca pile i kombinacije lanca pile*

na strani 409 kako biste pronašli ispravnu postavku mjerača dubine za svoj lanac.

(Sl. 79)

(Sl. 80)

Napomena: Ova preporuka je zasnovana na pretpostavci da dužina reznih zuba nije previše skraćena.

Koristite ravnu turpiju i alat mjerača dubine da podesite mjerac dubine.

1. Stavite alat za podešavanje mjerača dubine iznad lanca pile. Detaljne informacije o načinu korištenja alata mjerača dubine možete pronaći na pakovanju alata mjerača dubine.
2. Koristite ravnu turpiju da skinite vrhu mjerača dubine koji se proteže kroz alat mjerača dubine. Mjerac dubine je ispravno postavljen kada više ne osjećate otpor prilikom povlačenja turpije preko alata mjerača dubine.

Da biste zategnuli lanac pile

Napomena: Često provjeravajte zategnutost novog lanca pile tokom perioda početnog korištenja.

1. Olabavite matice vodilice koje drže poklopac lančanika. Koristite kombinovani ključ. (Sl. 81)
2. Pritegnite rukom maticu vodilice, što više možete.
3. Podignite vrh vodilice i produžite lanac pile tako što ćete pritegnuti vijak za zatezanje lanca. Koristite kombinovani ključ. Pritegnite lanac pile dok ne prestane visiti s dna vodilice. (Sl. 82)

4. Pritegnite matice vodilice pomoću kombiniranog ključa i podignite vrh vodilice u isto vrijeme. (Sl. 83)
5. Vodite računa da možete rukom slobodno povući lanac pile i da on ne visi. (Sl. 84)

Da biste podmazali opremu za rezanje

Da biste provjerili podmazivanje lanca pile

Provjerite podmazivanje lanca pile svaki put kada punitel gorivo.

1. Pokrenite proizvod i pustite da radi pri 3/4 brzine. Usmjerite vrh vodilice prema površini sa svjetlom bojom, odmaknuto skoro 20 cm (8 inča).
2. Nakon 1 minute rada, linija ulja pokazuje na svijetlu površinu.
3. Ako ne možete vidjeti liniju ulja nakon 1 minute, očistite uljni kanal u vodilici. Očistite utor u rubu vodilice. Uvjerite se da se vrh lančanika vodilice slobodno okreće i da nema blokada u rupici za podmazivanje. Očistite i podmažite vrh lančanika.
4. Pokrenite proizvod i pustite da radi pri 3/4 brzine. Usmjerite vrh vodilice prema površini sa svjetlom bojom, odmaknuto skoro 20 cm (8 inča).
5. Nakon 1 minute rada, linija ulja pokazuje na svijetlu površinu.
6. Ako ne možete vidjeti liniju ulja nakon 1 minute, obratite se ovlaštenom trgovcu.

TRANSPORT

- Ispraznite gorivo i spremnike ulja za lanac prije transporta. Na pravilan način odložite korištene tečnosti.
- Stavite poklopac vodilice na dodatak za rezanje tokom transporta. To sprječava osobe da slučajno dodiruju oštri lanac pile. Lanac pile koji nije u funkciji

može vama ili drugim osobama koje dodiruju oštri lanac pile uzrokovati povredu.

- Uklonite kapicu svječiće sa svječiće i zategnite kočnicu lanca prije transporta.
- Uvjerite se da se proizvod ne može pomjerati tokom transporta.

SKLADIŠTENJE

- Uvijek proizvod odložite na sigurno kada nije u upotrebi. Curenja i pare iz proizvoda mogu doći u kontakt sa svjećicama, otvorenim plamenom iz električne opreme, električnih kosilica, releja/prekidača, kotlova i još mnogo toga.
- Gorivo uvijek držite u odobrenom spremniku.
- Ispraznite gorivo i spremnik za ulje za lanac kada je proizvod uskladišten tokom dužeg vremena. Na pravilan način odložite korištene tečnosti.

- Tokom skladištenja, stavite poklopac vodilice na vodilicu. To sprječava osobe da slučajno dodiruju oštri lanac pile. Lanac pile koji nije u funkciji može vama ili drugim osobama koje dodiruju oštri lanac pile uzrokovati povredu.
- Uklonite kapicu svječiće sa svječiće i zategnite kočnicu lanca prije skladištenja.

TEHNIČKI PODACI

	jedinica	130 (H13038HV)	135 Mark II (H13038HV)
Specifikacije motora			
Pomicanje cilindra	cm ³	38	38
Svječica	—	NGK BPMR 7A	NGK BPMR 7A
Razmak između elektroda	mm (inč)	0,5 (0,02)	0,5 (0,02)
Zapremina spremnika za gorivo	cm ³	350	350
Brzina u praznom hodu	min ⁻¹	2800-3200	2800-3200
Izlazna snaga pri 9000 min ⁻¹	kW	1,5	1,6
Period trajanja emisije	h	125	125
Podaci o buci i vibracijama			
Ekvivalentni nivo vibracije (ahv, eq) lijeve ručke ¹³⁶	m/s ²	3,72	3,72
Ekvivalentni nivo vibracije (ahv, eq) desne ručke ¹³⁷	m/s ²	5,5	5,5
Nivo jačine zvuka, garantovani (L _{WA}) ¹³⁸	dB(A)	116	116
Nivo jačine zvuka, izmjereni ¹³⁹	dB(A)	114	114
Nivo zvučnog pritiska u uhu rukovaoca ¹⁴⁰	dB(A)	102	102
Dimenzije proizvoda			
Težina (bez opreme za rezanje)	kg	4,68 (10,3)	4,68 (10,3)
Zapremina spremnika za ulje	cm ³	260	260
Sistem napajanja gorivom i podmazivanje			
Kapacitet uljne pumpe pri 9000 min ⁻¹	ml/min	9	9
Tip pumpe za ulje	—	Automatski	Automatski
Lanac pile i vodilica			
Standardna dužina vodilice	cm (inč)	35-40 (14-16)	35-40 (14-16)
Preporučena dužina vodilice	cm (inč)	35-40 (14-16)	35-40 (14-16)

¹³⁶ Ekvivalentni nivo vibracije se izračunava kao vremenski mjeren zbir energija za nivoje vibracije u različitim uvjetima rada. Prijavljeni podaci ekvivalentnih nivoa vibracije posjeduju tipičnu statičku disperziju (standardno odstupanje) od 1,5 m/s².

¹³⁷ Ekvivalentni nivo vibracije se izračunava kao vremenski mjeren zbir energija za nivoje vibracije u različitim uvjetima rada. Prijavljeni podaci ekvivalentnih nivoa vibracije posjeduju tipičnu statičku disperziju (standardno odstupanje) od 1,5 m/s².

¹³⁸ Emisije buke u okruženju mjerene su kao jačina zvuka (L_{WA}).

¹³⁹ Emisije buke u okruženju mjerene su kao jačina zvuka (L_{WA}).

¹⁴⁰ Ekvivalentna vrijednost nivoa zvučnog pritiska izračunava se kao ukupna vrijednost energije iskazane prema vremenu za različite vrijednosti zvučnog pritiska pod različitim uvjetima rada. Tipična statistička disperzija za ekvivalentni nivo pritiska buke je standardna devijacija od 2,5 dB (A).

	jedinica	130 (H13038HV)	135 Mark II (H13038HV)
Korisna dužina rezanja	cm (inč)	33-38 (13-15)	33-38 (13-15)
Maksimalna brzina lanca pile	m/s	22,3	22,3
Korak lanca pile	mm (inč)	9,52 (3/8)	9,52 (3/8)
Debljina pogonskih veza (mjera)	mm (inč)	1,3 (0,050)	1,3 (0,050)
Vrta pogonskog zupčanika	—	Podupirač	Podupirač
Broj zubaca pogonskog zupčanika	—	6	6

PRIBOR

Kombinacije vodilice i lanca pile

Vodilica				Lanac pile	
Dužina	Dijeljenje	Mjera	Maks. prečnik vrha	Tip	Broj pogonske veze
14 inča	3/8 inča	0,050 inča	7T	Husqvarna H37	52
16 inča				Husqvarna S93G	56

Oštrenje lanca pile i kombinacije lanca pile

Tip lanca	Veličina okrugle turpije	Ugao bočne ploče	Ugao gornje ploče	Ugao vodiča turpije	Postavke mjerača dubine	Mjerač dubine, broj dijela	Mjerač turpije, broj dijela
H37, S93G	5/32 inča 4,0 mm	80°	30°	0°	0,025 / 0,65	5056981-03	5052437-01

SADRŽAJ DEKLARACIJE EC O USKLAĐENOSTI

Mi, Husqvarna AB, SE 561 82 Huskvarna, ŠVEDSKA, izjavljujemo pod punom odgovornošću da predstavljeni proizvod:

Opis	Benzinska motorna pila
Brend	Husqvarna
Platforma / tip / model	Platforma H13038HV, predstavlja model 130, 135 Mark II

Opis	Benzinska motorna pila
Serijski broj	Serijski broj s datumom od 2018 i nadalje

u potpunosti su u skladu sa sljedećim EU direktivama i propisima:

Direktiva/propis	Opis
2006/42/EC	"o mašinama"
2014/30/EU	"o elektromagnetnoj kompatibilnosti"
2000/14/EC	"o spoljnoj buci"
2011/65/EU	"o ograničenju upotrebe određenih opasnih supstanci"

Harmonizirani standardi i/ili tehničke specifikacije primijenjene su kako slijedi: EN ISO 12100, EN ISO 11681-1, CISPR 12, ISO 14982

U skladu s direktivom 2000/14/EC, Aneks V, deklarirane vrijednosti zvuka su navedene u odjeljku za tehničke podatke ovog priručnika i u potpisanoj Deklaraciji EU o usklađenosti.

TÜV Rheinland LGA Products GmbH, Notifikacijsko tijelo za mašine (notificirano pod 0197), Tillystraße 2 - 90431 Nürnberg, Njemačka, izvodi EC tip ispitivanja u skladu sa 2006/42/EC, član 12, tačka 3b.

Certifikat za tip ispitivanja, u skladu s aneksom IX, kao što je navedeno u potpisanoj Deklaraciji o usklađenosti, primjenjuje se na svim lokacijama proizvođača i u zemljama porijekla, kao što je navedeno na proizvodu.

Ova motorna pila je u skladu s primjerkom na kojem je izvršeno tip EC ispitivanja.

Contenido

INTRODUCCIÓN.....	411	TRANSPORTE.....	422
SEGURIDAD.....	412	ALMACENAMIENTO.....	422
ARMADO.....	416	DATOS TÉCNICOS.....	423
OPERACIÓN.....	417	ACCESORIOS.....	424
MANTENIMIENTO.....	419	CONTENIDO DE LA DECLARACIÓN DE CONFORMIDAD CE.....	424

INTRODUCCIÓN

Manual del usuario

El idioma original de este manual de usuario es el inglés. Los manuales de usuario en otros idiomas son traducciones del inglés.

Descripción general

(Fig. 1)

1. Cubierta del cilindro
2. Pera de cebado
3. Placa de producto y número de serie
4. Etiqueta de información y advertencia
5. Interruptor de detención
6. Mango trasero
7. Depósito de combustible
8. Empuñadura de la cuerda de arranque
9. Cuerpo del mecanismo de arranque
10. Marca de dirección de derribo
11. Depósito de aceite para cadena
12. Mango delantero
13. Freno de cadena y protección contra reculadas
14. Silenciador
15. Cadena de sierra
16. Cabezal de rueda de la espada
17. Espada guía
18. Tornillo de tensado de cadena (130)
19. Tornillo de tensado de cadena (135 Mark II)
20. Apoyo de corteza
21. Captor de cadena
22. Cubierta del embrague
23. Protección de la mano derecha
24. Gatillo del acelerador
25. Bloqueo del acelerador
26. Cubierta de la espada guía
27. Herramienta combinada
28. Manual del usuario

Símbolos en el producto

(Fig. 2) Advertencia

- (Fig. 3) Lea este manual
- Use equipos aprobados de protección para la cabeza, protectores auriculares y protección ocular
- (Fig. 4)
- (Fig. 5) Use guantes protectores aprobados
- El producto cumple con las directivas CE pertinentes
- (Fig. 6)
- (Fig. 7) Nivel de potencia sonora
- Freno de cadena, no acoplado (izquierdo).
Freno de cadena, acoplado (derecho)
- (Fig. 8)
- (Fig. 9) Estrangulador
- (Fig. 10) Pera de cebado
- (Fig. 11) Recarga de combustible.
- (Fig. 12) Llenado de aceite para cadena
- Este producto cumple con las directivas EAC pertinentes
- (Fig. 13)
- Este producto cumple con las directivas de Ucrania pertinentes
- (Fig. 14)
- Este producto cumple con las directivas de Corea pertinentes
- (Fig. 15)
- Este producto cumple con las directivas de Japón pertinentes
- (Fig. 16)
- (Fig. 17) Nivel de ruido
- Sujete el producto correctamente con ambas manos
- (Fig. 18)
- (Fig. 19) No utilice con una sola mano

(Fig. 20) Evite el contacto con la punta de la espada guía

(Fig. 21) Tenga cuidado con la reculada

(Fig. 22) Este producto cumple con las directivas de compatibilidad electromagnética pertinentes de Australia y Nueva Zelanda.

Tenga en cuenta: Otros símbolos o etiquetas del producto hacen referencia a requisitos de certificación para otras zonas comerciales.

Propuesta 65

(Fig. 23)

EU V



ADVERTENCIA: La manipulación del motor anula la homologación de este producto en la UE.

- el producto se repara incorrectamente
- el producto se repara con piezas que no son del fabricante o que este no autoriza
- el producto tiene un accesorio que no es del fabricante o que este no autoriza
- el producto no se repara en un centro de servicio autorizado o por una autoridad aprobada.

Responsabilidad del fabricante

Como se menciona en las leyes de responsabilidad del fabricante, no nos hacemos responsables de los daños que cause nuestro producto si:

SEGURIDAD

Definiciones de seguridad

Las siguientes definiciones proporcionan el nivel de gravedad de cada palabra clave.



ADVERTENCIA: Lesiones a personas.



AVISO: Daños en el producto.

Tenga en cuenta: Esta información hace que el producto sea más fácil de usar.

Instrucciones generales de seguridad

- Utilice el producto correctamente. Las lesiones graves o fatales son un posible resultado de un uso incorrecto. Solo utilice el producto para las tareas que aparecen en este manual. No utilice el producto para otras tareas.
- Asegúrese de leer, comprender y cumplir las instrucciones de este manual. Obedezca los símbolos y las instrucciones de seguridad. Si el usuario no obedece las instrucciones y los símbolos, es posible que se produzcan daños y lesiones tanto graves como fatales.
- No deseche este manual. Utilice las instrucciones para montar, operar y mantener el producto en buen estado. Utilice las instrucciones para la correcta

instalación de piezas y accesorios. Utilice solamente piezas y accesorios homologados.

- No use un producto dañado. Cumpla con el programa de mantenimiento. Realice solamente las tareas de mantenimiento en las que se detallan instrucciones en este manual. Un centro de servicio autorizado debe realizar todos los demás trabajos de mantenimiento.
- En este manual no se pueden abarcar todas las situaciones que pueden ocurrir cuando se utiliza el producto. Tenga cuidado y use el sentido común. No haga funcionar el producto ni realice mantenimientos si no está seguro acerca de la situación. Hable con un experto en el producto, su distribuidor, el agente de servicio o un centro de servicio autorizado para obtener más información.
- Desconecte el cable de la bujía antes de montar o almacenar el producto, o realizar tareas de mantenimiento.
- No utilice el producto si cambia su especificación inicial. No cambie una parte del producto sin la aprobación del fabricante. Utilice solamente las piezas que están aprobadas por el fabricante. Las lesiones graves o fatales son un posible resultado de un mantenimiento incorrecto.
- No respire los humos del motor. La inhalación de los gases de escape del motor, del aceite para cadena y del polvo de serrín durante un período prolongado puede causar un riesgo para la salud.
- No encienda el producto en interiores o cerca de materiales inflamables. Los gases de escape están muy calientes y pueden crear incendios debido a la creación de chispas. Si no hay suficiente flujo de aire, se pueden producir lesiones graves o fatales

como resultado de asfixia o intoxicación por monóxido de carbono.

- Este producto genera un campo electromagnético durante su funcionamiento. El campo electromagnético puede causar daños a implantes médicos. Hable con su médico y fabricante del implante antes de utilizar el producto.
- No deje que un niño utilice el producto.
- No permita que una persona que no conozca las instrucciones utilice el producto.
- Siempre esté pendiente de una persona que utilice el producto si es que tiene capacidades físicas o mentales reducidas. Debe haber un adulto responsable en todo momento.
- Mantenga el producto en un área a la cual los niños y las personas no autorizadas no puedan acceder.
- El producto puede expulsar objetos y causar lesiones. Siga las instrucciones de seguridad para reducir el riesgo de lesiones graves o fatales.
- No se aleje del producto cuando el motor esté en marcha. Detenga el motor y asegúrese de que la cadena no gire.
- El operador del producto es responsable en caso de un accidente.
- Asegúrese de que las piezas no estén dañadas antes de utilizar el producto.
- Consulte las leyes locales o nacionales. Estas pueden evitar o disminuir el funcionamiento del producto en algunas condiciones.

Instrucciones de seguridad para el funcionamiento

- El funcionamiento continuo o regular del producto puede provocar la enfermedad de Dupuytren o problemas médicos equivalentes producto de las vibraciones. Examine la condición de sus manos y dedos si opera el producto regular o continuamente. Si sus manos o dedos tienen una decoloración, dolor, cosquilleo o se sienten entumecidos, detenga el trabajo y póngase en contacto con un médico de inmediato.
- Asegúrese de que el producto esté completamente montado antes de usarlo.
- El producto puede provocar que los objetos salgan expulsados, lo que puede causar daños a los ojos. Use siempre una protección ocular aprobada cuando haga funcionar el producto.
- Tenga cuidado, un niño puede acercarse al producto sin que lo note mientras se encuentra en funcionamiento.
- No utilice el producto si hay personas en el área de trabajo. Detenga el producto si una persona entra al área de trabajo.

(Fig. 24)

- Asegúrese de estar siempre en control del producto.
- El producto debe ser operado con las dos manos. No haga funcionar el producto con una sola mano. Si se hace funcionar el producto con una sola mano,

se podrían provocar lesiones graves al usuario, a los trabajadores, a los transeúntes o a una combinación de estas personas.

- Sujete el mango delantero con la mano izquierda y el mango trasero con la mano derecha. Mantenga el producto al lado derecho de su cuerpo.

(Fig. 25)

- No haga funcionar el producto si está fatigado, enfermo o bajo la influencia de alcohol u otras drogas.
- No utilice el producto si no puede recibir ayuda en caso de un accidente. Asegúrese de que los demás sepan que va a utilizar el producto antes de ponerlo en funcionamiento.
- No gire con el producto sin asegurarse de que no haya personas ni animales en la zona de seguridad.
- Retire todos los materiales no deseados del área de trabajo antes de empezar. Si la cadena choca contra un objeto, el objeto puede salir expulsado y causar lesiones o daños. Puede enredarse material no deseado en la cadena y causar daños.
- No utilice el producto en malas condiciones climáticas, tales como niebla, lluvia, vientos fuertes, riesgo de rayos u otros tipos de condiciones climáticas. En estos climas adversos se pueden producir condiciones peligrosas, como superficies resbaladizas.
- Asegúrese de poder moverse libremente y trabajar en una posición estable.
- Asegúrese de no correr riesgos de caídas cuando utilice el producto. No se incline cuando utilice el producto.
- Siempre sostenga el producto con las dos manos. Sujete el mango delantero con la mano izquierda y el mango trasero con la mano derecha. Mantenga el producto al lado derecho de su cuerpo.
- Si el estrangulador está en la posición de estrangulamiento cuando el motor arranca, la cadena comienza a girar.
- Detenga el motor antes de mover el producto.
- No deje el producto en el suelo con el motor encendido.
- Antes de quitar los materiales no deseados del producto, detenga el motor. Deje que la cadena se detenga antes de que usted o un ayudante quiten el material de corte.
- No haga funcionar este producto en un árbol. Si hace funcionar el producto mientras se encuentra arriba de un árbol, podría sufrir daños personales (lesiones).

(Fig. 26)

- El freno de cadena debe estar activado cuando el producto se pone en marcha para reducir el riesgo de que la cadena de sierra entre en contacto con usted durante el arranque.

(Fig. 27)

- Evite la reculada, los giros, los rebotes y las caídas, lo que puede provocar daños (lesiones) graves.

- Obedezca todas las normas de seguridad para ayudar a evitar reculadas y otras fuerzas, lo que puede provocar daños (lesiones) graves.
- Ajuste la tensión de la cadena de sierra con regularidad para garantizar que la cadena de sierra no esté floja. Una cadena de sierra floja puede zafarse y causar daños (lesiones) graves o la muerte.
- No tale árboles con un procedimiento incorrecto. Esto puede provocar lesiones a personas, golpear un cable de servicio público o causar daños a la propiedad.
- El operador debe permanecer en el lado cuesta arriba, ya que es probable que el árbol ruede o se deslice cuesta abajo tras ser cortado.

(Fig. 28)

- Planifique y despeje una ruta de escape antes de comenzar los cortes. La ruta de escape debe extenderse en diagonal hacia atrás de la línea de caída prevista.

(Fig. 29)

- Siempre detenga el motor antes de mover el producto entre los árboles.
- Asegúrese de apoyar firmemente sus pies en el suelo y distribuir su peso de manera uniforme.

(Fig. 30)

- Mantenga siempre una posición adecuada y opere el producto solo cuando esté en una superficie fija, segura y nivelada. Es posible que pierda el equilibrio o el control del producto en superficies resbaladizas o inestables, tales como las escaleras de mano.

(Fig. 31)

Reculadas, giros, rebotes y caídas

Las diferentes fuerzas pueden tener un efecto en el control seguro del producto.

- **Los giros** ocurren cuando la espada guía se mueve rápidamente en la madera.
- **Los rebotes** ocurren cuando la espada guía se levanta de la madera y la toca una y otra vez.
- **Las caídas** ocurren cuando el producto se cae después de hacer el corte. Esto puede provocar que la cadena móvil toque una parte del cuerpo u otros objetos, lo que podría causar lesiones o daños.
- **Los rebotes** ocurren cuando el extremo de la espada guía toca objetos y se mueve hacia atrás, hacia arriba o repentinamente hacia delante. Las reculadas también ocurren cuando la madera se cierra y aprieta la cadena de la sierra durante el corte. La pérdida de control se puede generar si el producto toca un objeto en la madera.

(Fig. 32)

- **Las reculadas giratorias** pueden ocurrir cuando la cadena móvil toca un objeto en la parte superior de la espada guía. Esto puede generar que la cadena se entierre en el objetivo y que se detenga de inmediato. El resultado es una

reacción reversa muy rápida que mueve la espada guía hacia arriba o hacia atrás en la dirección del operador.

(Fig. 33)

- **Las reculadas de aplastamiento** pueden ocurrir cuando la cadena de la sierra se detiene repentinamente durante el corte. La madera se cierra y aprieta la cadena móvil de la sierra en la parte superior de la espada guía. La detención repentina de la cadena invierte la fuerza de la cadena y provoca que el producto se mueva en la dirección opuesta del giro de la cadena. El producto se mueve hacia atrás en la dirección del operador.
- **Los tiros** pueden ocurrir cuando la cadena de la sierra se detiene repentinamente cuando la cadena móvil toca un objeto en la madera en la parte inferior de la espada guía. La detención repentina tira el producto hacia delante y lejos del operador, lo cual puede provocar fácilmente que el operador pierda el control del producto.

(Fig. 34)

(Fig. 35)

Asegúrese de conocer las diferentes fuerzas y saber cómo prevenir las mismas antes de operar el producto. Consulte *Para evitar reculadas, giros, rebotes y caídas en la página 414.*

Para evitar reculadas, giros, rebotes y caídas

- Mientras el motor funciona, asegúrese de sujetar firmemente el producto. Mantenga la mano derecha en el mango trasero y la mano izquierda en el mango delantero. Sujete firmemente con los pulgares y dedos alrededor de los mangos. No lo suelte.
- Mantenga el control del producto durante el corte y después de que la madera cae al suelo. No deje que el peso del producto provoque una caída después de hacer un corte.
- Asegúrese de que el área en la que está cortando no esté obstruida. No permita que la punta de la espada guía toque troncos, ramas u otras obstrucciones mientras opera el producto. (Fig. 36)
- Corte a altas velocidades del motor.
- No sobrepase ni corte por encima de la altura de los hombros. (Fig. 37)
- Obedezca las instrucciones de afilado y mantenimiento del fabricante de la cadena de sierra.
- Use solo espadas guía y cadenas de sierra de repuesto especificadas por el fabricante.
- El riesgo de reculada aumenta si el calibre de profundidad es demasiado grande.

Equipo de protección personal

- Utilice siempre el equipo de protección personal adecuado cuando use el producto. El equipo de protección personal reduce el grado de las lesiones

si ocurre un accidente, pero no la elimina por completo.

- No use ropa suelta que pueda engancharse en la cadena de la sierra.
- Utilice un casco protector aprobado.
- Use siempre protectores auriculares autorizados cuando utilice el producto. Escuchar ruidos durante un largo período puede provocar pérdida de audición.
- Utilice gafas protectoras o un visor para el rostro para reducir el riesgo de lesiones a raíz de objetos en suspensión. El producto puede mover objetos con una gran fuerza como astillas y pequeños trozos de madera. Esto puede provocar lesiones graves, incluso en los ojos.
- Utilice guantes con protección contra motosierras.
- Utilice pantalones con protección contra motosierras.
- Utilice botas con protección contra motosierras, calzados con puntas de acero y suelas antideslizantes.
- Asegúrese de tener un botiquín de primeros auxilios.
- Se pueden producir chispas en el silenciador, la espada guía y la cadena de la sierra u otras fuentes. Siempre tenga a mano herramientas de extinción de incendios y una pala para prevenir incendios forestales.

Dispositivos de protección en el producto

- No use un producto con equipo de protección dañado. Si el producto está dañado, comuníquese con un centro de servicio autorizado.

Para examinar el interruptor de detención

1. Arranque el motor. Consulte *Antes de arrancar el motor en la página 418*.
2. Asegúrese de que el motor se detenga cuando mueva el interruptor de detención a la posición de detención.

Para examinar el bloqueo del acelerador

1. Asegúrese de que el acelerador (B) se encuentre bloqueado en ralentí cuando suelte el bloqueo del acelerador (A). (Fig. 38).
2. Presione el bloqueo del acelerador (A) y asegúrese de que vuelva a su posición inicial cuando lo suelte.
3. Presione el acelerador (B) y asegúrese de que vuelva a su posición inicial cuando lo suelte.
4. Encienda el motor y aplique la aceleración máxima.
5. Libere el acelerador y revise si la cadena de sierra se detiene.
6. Si la cadena de sierra gira con el acelerador en la posición de ralentí, revise el tornillo de ajuste de ralentí del carburador.

Protección

La protección impide que los objetos salgan despedidos en dirección al operador. La protección también previene el contacto accidental entre el operador y la cadena de sierra.

- Asegúrese de que la protección está permitida para funcionamiento en combinación con el producto.
- No use el producto sin la protección.
- Asegúrese de que la protección no está dañada. Cambie la protección si está desgastada o tiene grietas.

Seguridad de combustible

- No arranque el producto si hay combustible o aceite de motor en el producto. Quite el combustible o aceite no deseado y deje secar el producto. Quite el combustible no deseado del producto.
- Si derrama combustible en su ropa, cámbiese la ropa inmediatamente.
- No permita que le caiga combustible en el cuerpo, ya que puede causar lesiones. Si le cae combustible en el cuerpo, utilice jabón y agua para quitarlo.
- No arranque el motor si derrama aceite o combustible en el producto o en su cuerpo.
- No arranque el producto si el motor tiene una fuga. Examine frecuentemente el motor en busca de fugas.
- Tenga cuidado con el combustible. El combustible es inflamable y los gases son explosivos y pueden causar lesiones graves o fatales.
- No respire los gases del combustible, ya que pueden causar lesiones. Asegúrese de que haya suficiente flujo de aire.
- No fume cerca del combustible o del motor.
- No coloque objetos calientes cerca del combustible o del motor.
- No agregue combustible cuando el motor esté en marcha.
- Asegúrese de que el motor se enfríe antes de llenar el depósito de combustible.
- Antes de llenar el depósito de combustible, abra lentamente la tapa del depósito de combustible y libere la presión con cuidado.
- No agregue combustible al motor en un área interior. Un flujo de aire insuficiente puede causar lesiones graves o fatales por asfixia o debido al monóxido de carbono.
- Apriete la tapa del depósito de combustible con cuidado para evitar incendios.
- Mueva el producto a un mínimo de 3 m (10 pies) de la posición en la que se llenó el depósito antes de empezar.
- No ponga demasiado combustible en el depósito de combustible.
- Asegúrese de que no se puedan provocar fugas cuando mueva el producto o el recipiente de combustible.

- No coloque el producto ni un recipiente de combustible donde haya una llama expuesta, una chispa o una fuente de calor. Asegúrese de que no haya una llama expuesta en el área de almacenamiento.
- Utilice solamente contenedores aprobados cuando mueva el combustible o coloque el combustible en el almacenamiento.
- Vacíe el depósito de combustible antes de un almacenamiento a largo plazo. Cumpla con las leyes locales en cuanto al lugar en dónde se puede deshacer del combustible.
- Limpie el producto antes de un almacenamiento a largo plazo.
- Retire el cable de la bujía antes de almacenar el producto, para asegurarse de que el motor no arranque accidentalmente.
- Los componentes de reemplazo que no están aprobados o la eliminación de dispositivos de seguridad pueden causar daños en el producto. También pueden causar lesiones al operador o a los transeúntes. Utilice solo los accesorios y las piezas de reemplazo recomendados. No cambie su producto.
- Mantenga la cadena de sierra afilada y limpia para un funcionamiento excelente y seguro.
- Obedezca las instrucciones de lubricación y cambio de accesorios.
- Examine el producto en busca de piezas dañadas. Antes de seguir utilizando el producto, asegúrese de que la protección o la pieza dañada funciona correctamente. Examine que las piezas no estén rotas ni mal alineadas, y que las piezas se muevan libremente. Examine si hay otras condiciones que pueden tener un efecto en el funcionamiento del producto. Asegúrese de que el producto está correctamente instalado. Una protección u otra pieza dañada, debe ser reparada o reemplazada por un concesionario autorizado, a menos que se especifique cómo hacerlo en el manual de usuario.
- Cuando no esté en funcionamiento, mantenga el producto en un lugar seco, alto o bloqueado, lejos del alcance de los niños.
- Durante el transporte o almacenamiento del producto, utilice una cubierta o forro para la espada guía para mover el producto.
- No utilice aceite residual. El uso de aceite residual puede ser peligroso para usted y puede provocar daños al producto y al entorno.

Instrucciones de seguridad para el mantenimiento

- Desconecte la bujía antes de realizar tareas de mantenimiento en el producto, sin incluir ajustes del carburador.
- Haga que todos los servicios del producto sean realizados por un concesionario autorizado, sin incluir las tareas en *MANTENIMIENTO en la página 419*.
- Asegúrese de que la cadena de sierra deje de moverse al soltar el gatillo del acelerador.
- Mantenga los mangos secos, limpios y libres de aceite o de mezcla de combustible.
- Mantenga los tapones y las fijaciones bien apretados.

ARMADO



ADVERTENCIA: Asegúrese de leer y comprender el capítulo de seguridad antes de montar el producto.

Para montar la espada guía y la cadena de sierra

1. Quite el sombrerete de la bujía durante el montaje para evitar un arranque accidental. (Fig. 39) (Fig. 40)
2. Quite las tuercas de la espada y la cubierta del embrague. Quite la protección de transporte (A). (Fig. 41)
3. Ponga la espada guía encima de los tornillos de espada. Dirija la espada guía a la posición totalmente hacia atrás.
4. Utilice guantes protectores para manipular la motosierra.
5. Levante la cadena de sierra por encima del piñón de arrastre y acóplela en la ranura de la espada guía.
- Empiece en el borde superior de la espada guía. (Fig. 42)
6. Asegúrese de que los rebordes de las uniones de corte estén orientados hacia delante en el reborde superior de la espada guía.
7. Monte la cubierta del embrague y dirija el pasador de ajuste de cadena hacia el orificio de la espada guía.
8. Asegúrese de que los eslabones de arrastre de la cadena de sierra encajan correctamente en el piñón de arrastre. Asimismo, asegúrese de que la cadena de sierra está correctamente acoplada en la ranura de la espada guía.
9. Apriete las tuercas de la espada guía con los dedos.
10. Apriete la cadena de sierra girando el tornillo de tensado de cadena en el sentido de las agujas del reloj con la llave de combinación. Apriete la cadena de sierra hasta que no cuelgue por debajo de la espada guía, pero que le permita hacerla girar a mano fácilmente. (Fig. 43) y (Fig. 44)

11. Ponga hacia arriba el extremo de la espada guía y apriete las tuercas de la espada con la llave de combinación. (Fig. 45)

- Examine la tensión de la cadena con frecuencia después de montar una nueva cadena de sierra y hasta que la cadena de sierra se haya asentado.

- Examine la tensión de la cadena con regularidad. Una correcta tensión de la cadena se traduce en un buen rendimiento de corte y una larga vida útil.

OPERACIÓN



ADVERTENCIA: Asegúrese de leer y comprender el capítulo de seguridad antes de utilizar el producto.

Para utilizar combustible



AVISO: Este producto tiene un motor de dos ciclos. Utilice una mezcla de gasolina y de aceite del motor de dos ciclos. Asegúrese de utilizar la cantidad correcta de aceite en la mezcla. Una relación incorrecta de gasolina y aceite puede provocar daños al motor.

Relación de mezcla de combustible

La relación de mezcla de combustible para la gasolina y el aceite de motor de dos ciclos es de 50:1 (2 %)

Gasolina	Aceite para motor de dos ciclos
1 gal EE. UU.	77 ml (2,6 oz)
1 gal británico	95 ml (3,2 oz)
5 l	100 ml (3,4 oz)

Para hacer la mezcla de combustible

1. Determine la cantidad correcta de gasolina y de aceite de motor (relación de mezcla de 50:1). No realice una cantidad de mezcla de combustible para más de 30 días. Consulte *Relación de mezcla de combustible en la página 417*.
2. Agregue la mitad de la cantidad de gasolina a un recipiente de combustible limpio con una válvula antiderrames.



AVISO: No utilice gasolina con más de un 10 % de etanol concentrado (E10). Esto puede provocar daños al producto.



AVISO: No utilice gasolina con un octanaje inferior a 90 RON (87 AKI). Esto puede provocar daños al producto.

Tenga en cuenta: Use gasolina con un octanaje superior si con frecuencia utiliza el producto a velocidades de motor continuamente altas.

3. Agregue la cantidad total del aceite de motor de dos ciclos en el recipiente de combustible.



AVISO: Utilice siempre aceite de motor de dos ciclos enfriado por aire de alta calidad. Otros aceites pueden provocar daños al producto.

4. Agite la mezcla de combustible para mezclar el contenido.
5. Agregue la cantidad restante de gasolina en el recipiente de combustible.
6. Agite la mezcla de combustible para mezclar el contenido.
7. Llene el depósito de combustible del producto con la mezcla de combustible. Consulte *Relación de mezcla de combustible en la página 417*.

Para llenar el depósito de combustible

1. Asegúrese de que la mezcla de combustible es correcta y de que la mezcla de combustible se encuentra en un recipiente de combustible con válvula antiderrames.
2. Si hay combustible en el recipiente, retire el combustible no deseado y permita que el contenedor se seque.
3. Asegúrese de que el área cerca de la tapa del depósito de combustible está limpia.
4. Quite la tapa del depósito de combustible. (Fig. 46)
5. Agite el recipiente de combustible antes de agregar la mezcla de combustible al tanque de combustible.
6. Vuelva a colocar la tapa del depósito de combustible.

Para lubricar la cadena de sierra

El producto cuenta con un sistema de lubricación automática. Asegúrese de utilizar únicamente el aceite para cadena correcto y obedezca las instrucciones.

1. Utilice aceite para cadena de sierra de origen vegetal o un aceite para cadena estándar.
2. Asegúrese de que la zona cercana a la tapa del depósito de aceite para cadena de sierra esté limpia.

- Quite la tapa del depósito de aceite de la cadena de sierra.
- Llene el depósito de aceite para cadena de sierra con el aceite para cadena de sierra recomendado.
- Vuelva a colocar la tapa del depósito de aceite para cadena de sierra.

Antes de arrancar el motor

- Examine el producto para ver si hay piezas dañadas, sueltas, desgastadas o faltantes.
- Examine las tuercas, los tornillos y los pernos.
- Examine el filtro de aire.
- Examine el bloqueo del acelerador y el control del acelerador para un funcionamiento correcto.
- Examine el interruptor de detención para su correcto funcionamiento.
- Examine el producto en busca de fugas de combustible.
- Examine el filo y la tensión de la cadena de sierra.

Para arrancar un motor frío

- Mueva la protección contra reculadas hacia delante para activar el freno de cadena. (Fig. 47)
- Extraiga el estrangulador.
- Presione el cebador 6 veces. (Fig. 48)
- Mantenga el cuerpo del producto en el suelo con la mano izquierda. No se pare sobre el producto. Tire de la empuñadura de la cuerda de arranque lentamente hasta que sienta resistencia. A continuación, tire de la empuñadura de la cuerda de arranque con fuerza. (Fig. 49)

Tenga en cuenta: No tire del acelerador cuando arranque el motor.

- Siga tirando la empuñadura de la cuerda de arranque hasta que el motor arranque o intente arrancar (máximo de 3 tiros). Si el motor arranca o intenta arrancar, mantenga presionado el estrangulador. (Fig. 50)



AVISO: No tire de la cuerda de arranque hasta que se detenga. No suelte la cuerda de arranque cuando esté totalmente extendida. Suelte la cuerda de arranque lentamente. Si no se siguen estas instrucciones, se pueden producir daños en el motor.

- Siga tirando hasta que arranque el motor. Espere 60 segundos después del arranque antes de tirar el acelerador.
- Tire de la protección contra reculadas hacia atrás hacia el mango delantero para desacoplar el freno de cadena.
- Sujete el mango trasero con la mano derecha y el mango delantero con la mano izquierda.
- Utilice el producto.

Para arrancar un motor caliente

- Mueva la protección contra reculadas hacia delante para activar el freno de cadena. (Fig. 51)
- Extraiga el estrangulador.
- Presione el cebador 6 veces. (Fig. 52)
- Presione el estrangulador hacia abajo. (Fig. 53)
- Mantenga el cuerpo del producto en el suelo con la mano izquierda. No se pare sobre el producto. Tire de la empuñadura de la cuerda de arranque lentamente hasta que sienta resistencia. A continuación, tire de la empuñadura de la cuerda de arranque con fuerza. (Fig. 54)



AVISO: No tire de la cuerda de arranque hasta que se detenga. No suelte la cuerda de arranque cuando esté totalmente extendida. Suelte la cuerda de arranque lentamente. Obedezca estas instrucciones para evitar daños en el motor.

Tenga en cuenta: No tire del acelerador cuando arranque el motor.

- Siga tirando la empuñadura de la cuerda de arranque hasta que el motor arranque o intente arrancar (máximo de 3 tiros). Espere 60 segundos después del arranque antes de tirar el acelerador.
- Tire de la protección contra reculadas hacia atrás en la dirección del mango delantero para desacoplar el freno de cadena.
- Sujete el mango trasero con la mano derecha y el mango delantero con la mano izquierda.
- Utilice el producto.

Para arrancar el motor cuando el combustible está demasiado caliente

Si el producto no arranca, el combustible puede estar demasiado caliente.

Tenga en cuenta: Siempre utilice combustible nuevo y disminuya el tiempo de funcionamiento durante clima cálido.

- Coloque el producto en un área fresca lejos de la luz solar directa.
- Permita que el producto se enfríe durante 20 minutos como mínimo.
- Presione la pera de cebado repetidamente durante 10 a 15 segundos.
- Obedezca el procedimiento para arrancar un motor frío. Consulte *Para arrancar un motor frío en la página 418*.

Para detenerlo

- Presione el interruptor de detención para detener el motor.

Tenga en cuenta: El interruptor de detención regresa automáticamente a su posición inicial.

Para utilizar un apoyo de corteza

Un apoyo de corteza impide reculadas y sostiene la madera conforme la corta. El apoyo de corteza es un pivote entre el cuerpo del motor y la espada guía.

1. Coloque el extremo inferior del apoyo de corteza en el ancho correcto de la bisagra.
2. Presione, con la mano izquierda, contra el mango delantero, mientras levanta el mango trasero con la mano derecha.
3. Serruche hasta obtener el ancho correcto de la bisagra.

Tenga en cuenta: La bisagra debe tener un grosor igual.

4. Serruche más de la mitad del diámetro y, a continuación, coloque la cuña de derribo en el corte de la sierra.

Para talar un árbol

1. Retire del árbol suciedad, piedras, corteza desprendida, clavos, grapas y alambre.
2. Haga una muesca de 1/3 del diámetro del árbol de forma perpendicular a la dirección de la caída. (Fig. 55)
3. Haga el corte de muesca horizontal inferior. Esto ayuda a prevenir que se aplaste la cadena de sierra o la espada guía cuando se hace la segunda muesca.
4. Haga el corte posterior de derribo (X) a un mínimo de 50 mm (2 pulg.) más arriba que el corte de muesca horizontal. Mantenga el corte posterior de derribo paralelo con respecto al corte de muesca horizontal de modo que quede suficiente madera para colocar una bisagra. No corte a través de la bisagra. La bisagra evita que el árbol se tuerza y caiga en la dirección incorrecta. (Fig. 56) y (Fig. 57)
5. Conforme el corte posterior de derribo se acerca a la bisagra, el árbol comienza a caer. Asegúrese de que

el árbol caerá en la dirección correcta y que no se balanceará hacia atrás y aplastará la cadena de sierra. Para evitar esto, detenga el corte antes de completar el corte posterior de derribo. Use cuñas de madera, plástico o aluminio para abrir el corte y dejar caer el árbol a lo largo de la línea de caída necesaria. (Fig. 58)

6. Cuando el árbol comience a caer, retire el producto del corte. Detenga el motor, ponga el producto en el suelo y utilice la ruta de escape prevista. Tenga cuidado con las ramas que caen desde arriba y fíjese por dónde camina. (Fig. 59)

Para desramar un árbol

1. Utilice las ramas más grandes para mantener el tronco despegado del suelo.
2. Retire las ramas pequeñas con un solo corte. (Fig. 60)
3. Corte las ramas que tienen tensión desde la parte inferior hasta la parte superior para evitar que se aplaste la cadena de sierra o la espada guía.

Para segmentar un tronco



AVISO: No permita que la cadena de sierra toque el suelo.

- Si el tronco tiene soporte a lo largo de toda su longitud, corte desde la parte superior del tronco (conocido como segmentación desde arriba). (Fig. 61)
- Si el tronco tiene soporte en un extremo, corte 1/3 del diámetro desde abajo del tronco (conocido como segmentación desde abajo).
- Si el tronco tiene soporte en los dos extremos, corte 1/3 del diámetro desde la parte superior. Complete el corte segmentando desde abajo 2/3 del tronco hasta tocar el primer corte. (Fig. 62)
- Si segmenta un tronco en una pendiente, permanezca siempre del lado cuesta arriba del tronco. Corte el tronco mientras mantiene un control completo del producto. A continuación, libere la presión de corte cerca del extremo del corte mientras sujeta firmemente el mango trasero y el mango delantero. (Fig. 63)

MANTENIMIENTO



ADVERTENCIA: Asegúrese de leer y comprender el capítulo de seguridad antes de limpiar, reparar o realizar el mantenimiento del producto.

Programa de mantenimiento

Asegúrese de cumplir con el programa de mantenimiento. Los intervalos se calculan a partir del uso diario del producto. Los intervalos son diferentes si no utiliza el producto todos los días. Realice solamente las tareas de mantenimiento que se encuentran en este manual. Hable con un centro de servicio aprobado

acerca de los trabajos de mantenimiento que no aparezcan en este manual.

Mantenimiento diario

- Limpie las superficies externas.
- Asegúrese de que el bloqueo del acelerador y el acelerador funcionan correctamente.
- Limpie el freno de cadena y asegúrese de que funciona correctamente.
- Examine el captor de cadena en busca de daños. Cambie el captor de cadena si está dañado.
- Gire la espada guía diariamente para un desgaste más uniforme.
- Asegúrese de que el orificio de lubricación en la espada guía no esté obstruido.
- Retire el aserrín y otros materiales no deseados debajo de la cubierta del piñón.
- Limpie la ranura de la espada guía.
(Fig. 64)
- Asegúrese de que la espada guía y la cadena de sierra obtienen suficiente aceite.
- Examine la cadena de sierra para:
 - una grieta en los remaches y los eslabones.
 - remaches y eslabones desgastados irregularmente.
 - la tensión correcta.
 - rebabas en los eslabones de arrastre de la cadena.

Si es necesario, reemplace la cadena de sierra.

- Afíle la cadena de sierra. Consulte *Para afilar la cadena de sierra en la página 421*.
- Examine el piñón de arrastre en busca de desgaste excesivo y reemplace si fuera necesario.
(Fig. 65)
- Limpie la toma de aire de la carcasa del motor.
- Asegúrese de que las tuercas y los tornillos estén apretados.
- Asegúrese de que el interruptor de encendido funciona correctamente.

Mantenimiento semanal

- Asegúrese de que el sistema refrigerante funciona correctamente.
- Asegúrese de que el motor de arranque, el cordón de arranque y el muelle de retorno funcionen correctamente.
- Asegúrese de que los aisladores de vibraciones no estén dañados.

(Fig. 66)

- Lime las rebabas de los bordes de la espada guía.
- Limpie o cambie la rejilla apagachispas del silenciador.

(Fig. 67)

- Limpie las superficies externas del carburador y sus zonas adyacentes.

- Limpie el filtro de aire. Instale un nuevo filtro de aire si está dañado o demasiado sucio para limpiarlo a fondo. Consulte *Para limpiar el filtro de aire en la página 421* para obtener más información.

Mantenimiento mensual

- Examine la cinta de freno en el freno de cadena en busca de desgaste. Cambie la cinta de freno cuando su grosor sea inferior a 0,6 mm (0,024 pulg.) en el punto de mayor desgaste.

(Fig. 68)

- Examine el centro, el tambor y el muelle de embrague para verificar si están desgastados.
- Limpie la bujía. Asegúrese de que la distancia entre los electrodos sea la correcta.

(Fig. 69)

- Limpie las superficies externas del carburador y sus zonas adyacentes.
- Examine el filtro de combustible y la manguera de combustible. Cámbiela si fuera necesario.
- Vacíe el depósito de combustible.
- Vacíe el depósito de aceite.
- Examine todos los cables y conexiones.

Mantenimiento anual

- Examine la bujía.
- Limpie las superficies externas del carburador y sus zonas adyacentes.
- Limpie el sistema de refrigeración.
- Examine la rejilla apagachispas.
- Examine el filtro de combustible.
- Examine la manguera de combustible en busca de daños.
- Examine todos los cables y conexiones.

Mantenimiento intermitente

- Acuda a un centro de servicio autorizado para que reparen o reemplacen el silenciador después de 50 horas de funcionamiento.
- Realice mantenimiento a la bujía cuando:
 - el nivel de potencia del motor es bajo.
 - es difícil arrancar el motor.
 - el motor no funciona correctamente en régimen de ralentí.
- Compruebe la lubricación de la cadena de sierra cada vez que cargue combustible. Consulte *Para realizar una comprobación de la lubricación de la cadena de sierra en la página 422*.

Para ajustar el régimen de ralentí

Asegúrese de que el filtro de aire esté limpio y que la cubierta del filtro de aire esté instalada antes de ajustar el régimen de ralentí.

1. Gire el tornillo de ajuste de ralentí, identificado con una marca "T", en el sentido de las agujas del reloj hasta que la cadena de sierra comience a girar.
2. Gire el tornillo de ajuste de ralentí, identificado con una marca "T", en el sentido contrario de las agujas del reloj hasta que la cadena de sierra se detenga.
3. El régimen de ralentí debe ser inferior a la velocidad cuando la cadena de sierra comienza a girar. El régimen de ralentí es el correcto cuando el motor funciona correctamente en todas las posiciones.

Para realizar tareas de mantenimiento en la rejilla apagachispas

- Use un cepillo de alambre para limpiar la rejilla apagachispas. (Fig. 70)

Para realizar tareas de mantenimiento en la bujía



AVISO: Utilice la bujía recomendada. Asegúrese de que la pieza de reemplazo sea la misma que la que proporciona el fabricante. Una bujía incorrecta puede causar daños al producto.

1. Si cuesta trabajo arrancar o hacer funcionar el producto, examine la bujía en busca de materiales no deseados. Para disminuir el riesgo de material no deseado en los electrodos de la bujía:
 - a) asegúrese de que el régimen de ralentí esté ajustado correctamente.
 - b) asegúrese de que la mezcla de combustible es la correcta.
 - c) asegúrese de que el filtro de aire esté limpio.
2. Limpie la bujía si está sucia. Asegúrese de que la distancia entre los electrodos sea la correcta. (Fig. 71)
3. Reemplace la bujía cuando sea necesario.

Para limpiar el filtro de aire

1. Quite la cubierta del filtro de aire y retire el filtro de aire. (Fig. 72)
2. Limpie el filtro de aire con agua jabonosa caliente. Asegúrese de que el filtro de aire esté seco antes de instalarlo.
3. Reemplace el filtro de aire si está demasiado sucio para limpiarlo completamente. Siempre reemplace un filtro de aire dañado.

Para afilar la cadena de sierra

La cortadora

La sección cortante de la cadena de sierra se denomina "cortadora" y consiste en un diente de corte (A) y el calibre de profundidad (B). La profundidad de corte de

las cortadoras se determina por la diferencia en la altura de ambos elementos, esto es, el ajuste del calibre de profundidad (C).

(Fig. 73)

Cuando afile un diente de corte, deberá recordar cuatro factores importantes:

- Ángulo del limado.

(Fig. 74)

- Ángulo del corte.

(Fig. 75)

- Posición de la lima.

(Fig. 76)

- Diámetro de la lima redonda.

(Fig. 77)

Para afilar los dientes de corte

Use una lima redonda y un calibrador de afilado para afilar los dientes de corte. Consulte *Combinaciones de limado de la cadena de sierra y cadena de sierra en la página 424* para obtener más información sobre la dimensión recomendada de la lima y el calibrador para la cadena de sierra instalada en el producto. (Fig. 78)

1. Asegúrese de que la cadena de sierra tiene la tensión correcta. Una cadena sin la tensión correcta se mueve hacia un lado y no se afila correctamente.
2. Utilice la lima en todos los dientes de un lado. A continuación, utilice la lima en los dientes de corte de la cara interior y disminuya la presión en dirección reversa.
3. Gire el producto en el lado opuesto y utilice la lima en los dientes.
4. Utilice la lima para mantener todos los dientes a la misma longitud. Reemplace una cadena de sierra desgastada cuando la longitud de los dientes de corte disminuya a 4 mm (5/32 pulg.).

Para ajustar el calibre de profundidad

Afile los dientes de corte antes de hacer el ajuste del calibre de profundidad. Consulte *Para afilar los dientes de corte en la página 421*. Al afilar el diente de corte (A), el ajuste del calibre de profundidad (C) disminuirá. Para mantener un rendimiento de corte óptimo, el calibre de profundidad (B) se tiene que limar hacia abajo para lograr el ajuste recomendado. Consulte *Combinaciones de limado de la cadena de sierra y cadena de sierra en la página 424* para conocer el ajuste correcto del calibre de profundidad de su cadena en particular.

(Fig. 79)

(Fig. 80)

Tenga en cuenta: Esta recomendación presupone que la longitud del diente de corte no se ha reducido de forma excesiva.

Utilice una lima plana y un calibrador de profundidad para ajustar el calibre de profundidad.

1. Ponga el calibrador de profundidad sobre la cadena de sierra. En el paquete del calibrador de profundidad se incluye información detallada sobre cómo utilizarlo.
2. Utilice la lima plana para limar la punta del calibre de profundidad que sobresale del calibrador de profundidad. El ajuste del calibre de profundidad es el correcto cuando ya no se siente resistencia a medida que se pasa la lima por el calibrador de profundidad.

Para tensar la cadena de sierra

Tenga en cuenta: Verifique la tensión de una nueva cadena de sierra con frecuencia durante su período de puesta en marcha.

1. Afloje las tuercas de la espada guía que sujetan la cubierta del piñón. Utilice la llave combinada. (Fig. 81)
2. Apriete las tuercas de la espada guía con la mano, lo más fuerte que pueda.
3. Levante la parte superior de la espada guía y extienda la cadena de sierra apretando el tornillo de tensado de cadena. Utilice la llave combinada. Apriete la cadena de sierra hasta que no cuelgue de la parte inferior de la espada guía. (Fig. 82)
4. Apriete las tuercas de la espada guía con una llave de combinación y levante la puntera de la espada guía al mismo tiempo. (Fig. 83)
5. Asegúrese de que puede hacer girar la cadena de sierra libremente con la mano y que no quede colgando. (Fig. 84)

Para lubricar el equipo de corte

Para realizar una comprobación de la lubricación de la cadena de sierra

Realice una comprobación de la lubricación de la motosierra cada vez que cargue combustible.

1. Arranque el producto y déjelo funcionar a 3/4 de la velocidad. Oriente la punta de la espada guía en una superficie de color claro retirada casi 20 cm (8 pulg.).
2. Después de 1 minuto de funcionamiento, se muestra una línea de aceite en la superficie clara.
3. Si no puede ver la línea de aceite después de 1 minuto, limpie el canal de aceite de la espada guía. Limpie la ranura en el reborde de la espada guía. Asegúrese de que el piñón de la punta de la espada guía gira libremente y de que no hay obstrucciones en el orificio de lubricación. Limpie y lubrique el piñón de la puntera.
4. Arranque el producto y déjelo funcionar a 3/4 de la velocidad. Oriente la punta de la espada en una superficie de color claro retirada casi 20 cm (8 pulg.).
5. Después de 1 minuto de funcionamiento, se muestra una línea de aceite en la superficie clara.
6. Si no puede ver la línea de aceite después de 1 minuto, comuníquese con su concesionario autorizado.

TRANSPORTE

- Vacíe los depósitos de combustible y de aceite para cadena antes del transporte. Deseche los líquidos usados correctamente.
- Coloque la cubierta de la espada guía en el equipo de corte durante el transporte. Esto evita que las personas toquen accidentalmente la afilada cadena de sierra. Una cadena de sierra que no está en funcionamiento puede provocar lesiones a usted o a otras personas que toquen una afilada cadena de sierra.
- Retire el sombrerete de bujía de la bujía y acople el freno de cadena antes del transporte.
- Asegúrese de que el producto no se mueva durante el transporte.

ALMACENAMIENTO

- Siempre almacene el producto de forma segura cuando no esté en funcionamiento. Las fugas y los gases de escape del producto pueden entrar en contacto con chispas, llamas de los equipos eléctricos, cortacésped eléctricos, relevadores/ interruptores, calderas y mucho más.
- Siempre almacene el combustible en un recipiente aprobado.
- Si el producto se va a almacenar durante largos períodos de tiempo, vacíe los depósitos de combustible y de aceite para cadena. Deseche los líquidos usados correctamente.
- Durante el almacenamiento, ponga la cubierta de la espada guía en la espada guía. Esto evita que las personas toquen accidentalmente la afilada cadena de sierra. Una cadena de sierra que no está en funcionamiento puede provocar lesiones graves a usted o a otras personas que toquen una afilada cadena de sierra.

- Retire el sombrerete de bujía de la bujía y acople el freno de cadena antes del almacenamiento.

DATOS TÉCNICOS

	unidad	130 (H13038HV)	135 Mark II (H13038HV)
Especificaciones del motor			
Cilindrada	cm ³	38	38
Bujía	—	NGK BPMR 7A	NGK BPMR 7A
Distancia entre los electrodos	mm (pulg.)	0,5 (0,02)	0,5 (0,02)
Volumen del depósito de combustible	cm ³	350	350
Régimen de ralentí	min ⁻¹	2800-3200	2800-3200
Potencia de salida en 9000 min ⁻¹	kW	1,5	1,6
Periodo de durabilidad de las emisiones	h	125	125
Datos de ruido y vibración			
Nivel de vibración equivalente (ahv, eq), mango izquierdo ¹⁴¹	m/s ²	3,72	3,72
Nivel de vibración equivalente (ahv, eq), mango derecho ¹⁴²	m/s ²	5,5	5,5
Nivel de potencia acústica, (L _{WA}) garantizada ¹⁴³	dB (A)	116	116
Nivel de potencia acústica, medido ¹⁴⁴	dB (A)	114	114
Nivel de presión acústica en el oído del operador ¹⁴⁵	dB (A)	102	102
Dimensiones del producto			
Peso (sin incluir el equipo de corte)	kg	4,68 (10,3)	4,68 (10,3)
Volumen del depósito de aceite	cm ³	260	260
Combustible y sistema de lubricación			
Capacidad de la bomba de aceite en 9000 min ⁻¹	ml/min	9	9
Tipo de bomba de aceite	—	Automática	Automática
Cadena de sierra y espada guía			

¹⁴¹ El nivel de vibración equivalente se calcula como el total de energía de tiempo ponderado para diferentes niveles de vibración bajo diversas condiciones de trabajo. Los datos informados para nivel de vibración equivalente tienen una dispersión estadística típica (desviación estándar) de 1,5 m/s².

¹⁴² El nivel de vibración equivalente se calcula como el total de energía de tiempo ponderado para diferentes niveles de vibración bajo diversas condiciones de trabajo. Los datos informados para nivel de vibración equivalente tienen una dispersión estadística típica (desviación estándar) de 1,5 m/s².

¹⁴³ Las emisiones sonoras en el medioambiente se miden como potencia acústica (L_{WA}).

¹⁴⁴ Las emisiones sonoras en el medioambiente se miden como potencia acústica (L_{WA}).

¹⁴⁵ El nivel de presión acústica equivalente se calcula como el total de energía de tiempo ponderado para diferentes niveles de presión acústica bajo diversas condiciones de trabajo. La dispersión estadística típica para el nivel de presión acústica equivalente es una desviación estándar de 2,5 dB(A).

	unidad	130 (H13038HV)	135 Mark II (H13038HV)
Longitud de la espada guía estándar	cm (pulg.)	35-40 (14-16)	35-40 (14-16)
Longitud de la espada guía recomendada	cm (pulg.)	35-40 (14-16)	35-40 (14-16)
Longitud de corte utilizable	cm (pulg.)	33-38 (13-15)	33-38 (13-15)
Velocidad máxima de la cadena de sierra	m/s	22,3	22,3
Paso de la cadena de sierra	mm (pulg.)	9,52 (3/8)	9,52 (3/8)
Espesor de los eslabones de arrastre (calibrador)	mm (pulg.)	1,3 (0,050)	1,3 (0,050)
Tipo de piñón de arrastre	—	Spur	Spur
Número de dientes del piñón de arrastre	—	6	6

ACCESORIOS

Combinaciones de cadena de sierra y espada guía

Espada guía				Cadena de sierra	
Longitud	Paso	Calibrador	Radio máx. de la punta	Tipo	Conteo de eslabones de arrastre
14 pulgadas	3/8 pulgadas	0,050 pulgadas	7T	Husqvarna H37	52
16 pulgadas				Husqvarna S93G	56

Combinaciones de limado de la cadena de sierra y cadena de sierra

Tipo de cadena	Tamaño de la lima redonda	Ángulo de la placa lateral	Ángulo de la placa superior	Ángulo de la guía de la lima	Ajuste del calibre de profundidad	N.º de pieza del calibrador de profundidad	N.º de pieza del calibrador de afilado
H37, S93G	5/32 pulg. 4,0 mm	80°	30°	0°	0,025/0,65	5056981-03	5052437-01

CONTENIDO DE LA DECLARACIÓN DE CONFORMIDAD CE

En nombre de Husqvarna AB, SE 561 82 Huskvarna, SUECIA, declaramos bajo nuestra única responsabilidad que el producto representado:

Descripción	Motosierra de gasolina
Marca	Husqvarna

Descripción	Motosierra de gasolina
Plataforma/Tipo/Modelo	Plataforma H13038HV, modelo de representación 130, 135 Mark II
Lote	Los números de serie de 2018 y posteriores

cumplen plenamente con las siguientes directivas y normas de la UE:

Directiva/Norma	Descripción
2006/42/CE	"referente a la maquinaria"
2014/30/UE	"referente a la compatibilidad electromagnética"
2000/14/CE	"referente al ruido exterior"
2011/65/UE	"restricción de uso de determinadas sustancias peligrosas"

Las normas o especificaciones técnicas armonizadas que se aplican son las siguientes: EN ISO 12100, EN ISO 11681-1, CISPR 12, ISO 14982

De conformidad con la directiva 2000/14/CE, Anexo V, los valores de sonido declarados se indican en la sección de datos técnicos de este manual y en la declaración de conformidad de la UE firmada.

TÜV Rheinland LGA Products GmbH, Organismo notificado para maquinaria (notificado bajo el código 0197), Tillystraße 2 - 90431 Nürnberg, Alemania, llevó a cabo un examen de tipo CE de conformidad con la norma 2006/42/CE, artículo 12, punto 3b.

El certificado de examen de tipo, de conformidad con el anexo IX, según lo establecido en la declaración de conformidad firmada, se aplica a todas las ubicaciones de fabricación y países de origen, tal y como se declara en el producto.

Esta motosierra cumple con el ejemplo sometido en el examen de tipo CE.

Conteúdo

INTRODUÇÃO.....	426	TRANSPORTE.....	437
SEGURANÇA.....	427	ARMAZENAMENTO.....	437
MONTAGEM.....	431	DADOS TÉCNICOS.....	437
OPERAÇÃO.....	432	ACESSÓRIOS.....	439
MANUTENÇÃO.....	434	CONTEÚDO DA DECLARAÇÃO DE CONFORMIDADE EC.....	439

INTRODUÇÃO

Manual do operador

O idioma inicial deste manual do operador é o Inglês.
Os manuais do operador em outros idiomas são traduções do Inglês.

Visão geral

(Fig. 1)

1. Tampa do cilindro
2. Bulbo de escorvamento
3. Placa de produto e número de série
4. Informações e adesivo de advertência
5. Interruptor de parada
6. Punho traseiro
7. Reservatório de combustível
8. Alça da corda de arranque
9. Alojamento do motor de partida
10. Marca da direção de corte
11. Tanque de óleo da corrente
12. Alça dianteira
13. Freio de corrente e proteção dianteira
14. Silenciador
15. Corrente da serra
16. Engrenagem da ponta da lâmina
17. Barra de orientação
18. Parafuso esticador da corrente (130)
19. Parafuso esticador da corrente (135 Mark II)
20. Ponta de batente
21. Retentor da corrente
22. Tampa da embreagem
23. Proteção direita
24. Acelerador
25. Trava do acelerador
26. Tampa da barra de orientação
27. Ferramenta combinada
28. Manual do operador

Símbolos no produto

(Fig. 2) Aviso

- (Fig. 3) Leia este manual
- (Fig. 4) Use proteção para a cabeça, protetores acústicos e proteção ocular aprovados
- (Fig. 5) Use luvas de proteção aprovadas
- (Fig. 6) O produto está em conformidade com as diretivas EC aplicáveis
- (Fig. 7) Nível de potência sonora
- (Fig. 8) Freio da corrente, não engatado (esquerdo)
Freio da corrente, engatado (direito)
- (Fig. 9) Estrangulador
- (Fig. 10) Bulbo de escorvamento
- (Fig. 11) Reabastecimento
- (Fig. 12) Enchimento de óleo da corrente
- (Fig. 13) O produto está em conformidade com as diretivas EAC aplicáveis
- (Fig. 14) O produto está em conformidade com as diretivas aplicáveis da Ucrânia
- (Fig. 15) O produto está em conformidade com as diretivas aplicáveis da Coreia
- (Fig. 16) O produto está em conformidade com as diretivas aplicáveis do Japão
- (Fig. 17) Nível de ruído
- (Fig. 18) Segure o produto de modo adequado com ambas as mãos
- (Fig. 19) Não use com uma só mão

- (Fig. 20) Evite o contato com a ponta da barra de orientação
- (Fig. 21) Esteja atento a retrocessos
- (Fig. 22) Este produto está em conformidade com as diretivas de compatibilidade com emissões

eletromagnéticas vigentes na Austrália e na Nova Zelândia.

Observação: Outros símbolos/adesivos no produto referem-se aos requisitos de certificação para outras áreas comerciais.

Proposta 65

(Fig. 23)

EU V



AVISO: Interferências no motor anulam a aprovação tipo EU deste produto.

Responsabilidade legal do produto

Como mencionado na legislação de responsabilidade do produto, não somos responsáveis por danos causados pelo nosso produto caso:

- o produto seja reparado incorretamente.
- o produto seja reparado com peças que não sejam da marca do fabricante ou aprovadas pelo fabricante.
- o produto tenha um acessório que não seja da marca do fabricante ou não seja aprovado pelo fabricante.
- O produto não seja reparado em um centro de atendimento aprovado ou por uma autoridade aprovada.

SEGURANÇA

Definições de segurança

As definições abaixo fornecem o nível de gravidade de cada texto de sinalização.



AVISO: Lesões pessoais.



CUIDADO: Danos ao produto.

Observação: Esta informação facilita o uso do produto.

Instruções gerais de segurança

- Use o produto corretamente. O uso incorreto pode resultar em ferimentos ou morte. Use o produto somente nas tarefas relacionadas neste manual. Não use o produto para outras tarefas.
 - Leia, entenda e obedeça as instruções deste manual. Obedeça os símbolos e instruções de segurança. Se o operador não obedecer as instruções e os símbolos, podem ocorrer ferimentos, danos ou morte.
 - Não descarte este manual. Use as instruções para montar, operar e manter o seu produto em boas condições. Use as instruções para fazer a correta instalação dos acessórios. Use somente acessórios aprovados.
 - Não use um produto danificado. Obedeça a programação de manutenção. Faça somente o trabalho de manutenção indicado nas instruções
- neste manual. Todos os demais trabalhos de manutenção deverão ser feitos em um centro de atendimento aprovado.
- Este manual pode não incluir todas as situações que podem ocorrer quando você usar o produto. Tome cuidado e use o bom senso. Não opere o produto nem faça a manutenção se não estiver certo da situação. Fale com um especialista no produto, seu revendedor, agente de serviço ou centro de atendimento aprovado para obter informações.
 - Desconecte o cabo da vela de ignição antes de montar o produto, armazená-lo ou fazer manutenção.
 - Não use o produto se ele for alterado em relação à sua especificação inicial. Não troque uma peça do produto sem a aprovação do fabricante. Use somente as peças aprovadas pelo fabricante. A manutenção incorreta pode resultar em ferimentos ou morte.
 - Não respire a fumaça do motor. Respirar gases do escapamento do motor, a névoa do óleo da corrente e serragem por um longo período pode causar riscos à saúde.
 - Não ligue o produto em um ambiente interno ou próximo de material inflamável. A fumaça do escapamento está quente e pode conter uma faísca capaz de iniciar um incêndio. Sem fluxo de ar suficiente, poderão ocorrer ferimentos ou morte por asfixia ou monóxido de carbono.
 - Este produto produz um campo eletromagnético durante a operação. O campo eletromagnético pode causar danos a implantes medicinais. Fale com seu médico e com o fabricante do implante antes de operar o produto.

- Não permita que o produto seja operado por crianças.
- Não permita que o produto seja operado por uma pessoa sem conhecimento das instruções.
- Pessoas com capacidade física ou mental reduzida devem ser sempre monitoradas caso usem o produto. Um adulto responsável deve estar presente em todos os momentos.
- Guarde o produto trancado em uma área fora do alcance de crianças e pessoas não autorizadas.
- O produto pode lançar objetos e causar ferimentos. Obedeça as instruções de segurança para diminuir os riscos de ferimentos ou morte.
- Não saia de perto do produto com o motor ligado. Desligue o motor e confirme que a corrente parou de girar.
- O operador do produto é responsável se um acidente ocorrer.
- Antes de usar o produto, verifique se não há peças danificadas.
- Consulte as leis locais e federais. Elas podem restringir ou impedir a operação do produto em algumas condições.

Instruções de segurança para operação

- A operação contínua ou regular do produto pode causar a “síndrome do dedo branco” ou problemas de saúde equivalentes causados pelas vibrações. Se você opera o produto de maneira contínua ou regular, examine as condições de seus dedos e mãos. Caso as mãos ou os dedos apresentem descoloração, dor, formigamento ou dormência, pare o trabalho e procure assistência médica imediatamente.
- Certifique-se de que o equipamento esteja totalmente montado antes de usá-lo.
- O produto pode provocar o lançamento de objetos, que podem causar danos aos olhos. Sempre use uma proteção ocular aprovada ao operar o produto.
- Tenha cuidado, uma criança pode se aproximar do produto sem o seu conhecimento durante a operação.
- Não opere o produto se houver outras pessoas na área de trabalho. Desligue o produto se uma pessoa entrar na área de trabalho.

(Fig. 24)

- Certifique-se de estar sempre no controle do produto.
- O produto deve ser operado com as duas mãos. Não opere o produto com uma só mão. Operar o produto com uma só mão pode causar ferimentos graves ao operador, trabalhadores, pessoas próximas ou uma combinação de todas.
- Segure a alça dianteira com sua mão esquerda e a alça direita com sua mão direita. Segure o produto no lado direito do seu corpo.

(Fig. 25)

- Não opere o produto se estiver cansado, doente ou sob a influência de álcool ou outras drogas.
- Não utilize o produto, se não for possível receber ajuda em caso de acidente. Avise outras pessoas de que você utilizará o produto antes de começar a utilizá-lo.
- Não gire com o produto antes de certificar-se de que não há pessoas ou animais na área de segurança.
- Remova todos os materiais indesejados da área de trabalho antes de começar o trabalho. Se a corrente atingir um objeto, o objeto pode ser lançado e causar ferimentos ou danos. Material indesejado pode enroscar-se na corrente e causar danos.
- Não utilize o produto em condições climáticas ruins, como neblina, chuva, ventos fortes, risco de raios ou outras condições climáticas adversas. Condições perigosas como, por exemplo, superfícies escorregadias, podem ocorrer devido ao mau tempo.
- Certifique-se de poder mover-se livremente e trabalhar em uma posição estável.
- Certifique-se de não correr risco de cair enquanto usa o produto. Não se incline ao operar o produto.
- Sempre segure o produto com as duas mãos. Segure a alça dianteira com sua mão esquerda e a alça direita com sua mão direita. Segure o produto no lado direito do seu corpo.
- Se o controle do afogador estiver na posição de afogador acionado quando for dado o arranque do motor, a corrente começa a girar.
- Desligue o motor antes de mover o produto.
- Não coloque o produto sobre qualquer superfície com o motor ligado.
- Antes de remover os materiais indesejáveis do produto, desligue o motor. Permita que a corrente pare antes de retirar o material cortado.
- Não opere esse produto em uma árvore. Operar o produto enquanto estiver em uma árvore pode resultar em ferimentos.

(Fig. 26)

- O freio da corrente deve estar ativado quando o produto for ligado para diminuir o risco de contato com a corrente da serra durante a partida.

(Fig. 27)

- Evite contragolpes, patinagem, solavancos e quedas, que podem resultar em lesões graves.
- Obedeça a todas as instruções de segurança para ajudar a evitar contragolpes e outros movimentos bruscos, que podem resultar em lesões graves.
- Ajuste a tensão da corrente da serra regularmente para certificar-se de que a corrente da serra não está frouxa. Uma corrente da serra frouxa pode causar ferimentos graves ou morte.
- Não derrube árvores usando um procedimento incorreto. Isso pode causar danos às pessoas, atingir uma rede de abastecimento público ou causar danos ao patrimônio.

- O operador deve permanecer no lado de alicive do terreno, pois a árvore provavelmente rolará ou deslizará abaixo depois da queda.

(Fig. 28)

- Planeje e abra uma rota de fuga antes de iniciar os cortes. A rota de fuga deve se estender para trás e diagonalmente atrás da linha de queda esperada.

(Fig. 29)

- Sempre desligue o motor antes de mover o produto entre as árvores.
- Certifique-se de que você esteja com os pés corretamente posicionados no chão e distribua seu peso igualmente sobre eles.

(Fig. 30)

- Mantenha sempre uma posição correta dos pés e opere o produto somente quando apoiado sobre superfícies fixas, seguras e niveladas. Superfícies escorregadias ou instáveis, como escadas, podem causar perda de equilíbrio ou de controle.

(Fig. 31)

Contragolpes, patinagem, solavancos e queda

Forças diferentes podem ter um efeito no controle seguro do produto.

- **Patinagem** é quando a barra de orientação se move rapidamente na madeira.
- **Solavanco** é quando a barra de orientação levanta-se da madeira e volta a tocá-la, repetidamente.
- **Queda** é quando o produto cai após o corte. Isso pode fazer com que a corrente em movimento toque uma parte do corpo ou outros objetos, causando lesões ou danos.
- **Contragolpe** é quando a ponta da barra de orientação toca em objetos e se move para trás, para cima ou subitamente para frente. O contragolpe também ocorre quando a madeira fecha e prende a corrente da serra durante o corte. Pode haver perda de controle se o produto tocar em um objeto na madeira.

(Fig. 32)

- **Contragolpe rotacional** pode ocorrer quando a correia móvel tocar em um objeto na parte superior da barra de orientação. Isso pode fazer com que a corrente se enterre no objeto e fazer com que ela pare imediatamente. O resultado é uma reação reversa muito rápida que move a barra de orientação para cima e para trás na direção do operador.
- **Contragolpe com prensa** pode ocorrer se a corrente da serra parar de repente durante o corte. A madeira fecha e prende a corrente da serra em movimento ao longo da parte superior da barra de orientação. A parada súbita da corrente reverte a força da corrente e faz com que o produto se mova na direção oposta da

curva da corrente. O produto se move para trás na direção do operador.

(Fig. 34)

- **Puxão** pode ocorrer quando a corrente da serra para subitamente quando a corrente móvel toca em um objeto na madeira ao longo da parte inferior da barra de orientação. A parada repentina puxa o produto para frente e longe do operador, o que pode facilmente causar a perda de controle do produto pelo operador.

(Fig. 35)

Certifique-se de que você entendeu as diferentes forças e como preveni-las antes de operar o produto. Consulte *Para evitar contragolpes, patinagem, solavancos e quedana página429.*

Para evitar contragolpes, patinagem, solavancos e queda

- Enquanto o motor estiver funcionando, segure o produto com firmeza. Coloque sua mão direita na alça traseira e a mão esquerda na alça dianteira. Segure firme com os polegares e dedos ao redor das alças. Não solte.
- Mantenha o controle do produto durante o corte e após a madeira cair até o chão. Não deixe o peso do produto deixá-lo cair após o corte ser feito.
- Certifique-se de que a área em que você está cortando esteja livre de obstruções. Não deixe a ponta da barra de orientação encostar em uma tora, galho ou outras obstruções enquanto opera o produto. (Fig. 36)
- Corte com o motor em alta rotação.
- Não estenda demais o alcance nem corte acima da altura do ombro. (Fig. 37)
- Obedeça as instruções de afiação e manutenção do fabricante para a corrente da serra.
- Use apenas barras de orientação e correntes sobressalentes especificadas pelo fabricante.
- O risco de contragolpe aumenta se o medidor de profundidade estiver muito grande.

Equipamento de Proteção Individual

- Use sempre o equipamento de proteção individual correto ao operar o produto. Equipamentos de proteção individual diminuem o grau das lesões se ocorrer um acidente, mas não as eliminam.
- Não use roupas soltas que podem ficar presas na corrente da serra.
- Use um capacete aprovado.
- Sempre use proteção auricular aprovada ao operar o produto. Ruídos por um longo período podem causar perda auditiva induzida.
- Use óculos de proteção ou protetor facial para reduzir o risco de ferimentos de por objetos lançados. O produto pode mover objetos com força, como, por exemplo, lascas de madeira e pequenos pedaços de madeira. Isso pode resultar em lesões graves, inclusive para os olhos.

- Use luvas com proteção para motosserra.
- Use calças com proteção para motosserra.
- Use botas com proteção para motosserra, bico de aço e solado antiderrapante.
- Certifique-se de que há um kit de primeiros socorros nas proximidades.
- Faíscas podem vir do silencioso, da barra de orientação e da corrente da serra, ou de outras fontes. Sempre mantenha as ferramentas de extinção de incêndio e uma pá próximos, para ajudar a evitar incêndios florestais.
- Se você derramar combustível em sua roupa, troque as roupas imediatamente.
- Não deixe combustível cair no seu corpo, ele pode causar lesões. Se você derramar combustível no seu corpo, use sabão e água para removê-lo.
- Não dê partida no motor se tiver derramado óleo ou combustível sobre o produto ou sobre o seu corpo.
- Não ligue o produto se o motor tiver um vazamento. Examine o motor à procura de vazamentos regularmente.
- Tome cuidado com o combustível. Combustível é inflamável e os vapores são explosivos e podem causar lesões ou morte.
- Não inspire os vapores de combustível, eles podem causar lesões. Certifique-se de que haja fluxo de ar suficiente.

Dispositivos de proteção no produto

- Não use um produto com equipamento de proteção danificado. Se o produto estiver danificado, fale com um centro de atendimento aprovado.

Examinar o botão de parada

1. Dê a partida no motor. Consulte *Antes de dar partida no motor* página 432.
2. Certifique-se de que o motor esteja parado ao mover o interruptor de parada para a posição de parada.

Examinar a trava do acelerador

1. Certifique-se de que o gatilho (B) esteja travado em marcha lenta ao soltar a trava do acelerador (A) (Fig. 38).
2. Empurre a trava do acelerador (A) e certifique-se de que ela volte à posição inicial ao liberá-la.
3. Empurre o acelerador (B) e certifique-se de que ela volte à posição inicial ao liberá-la.
4. Dê a partida no motor e aplique aceleração total.
5. Solte o gatilho e verifique se a corrente da serra para de rodar.
6. Se a corrente da serra girar com o acelerador na posição de marcha lenta, examine o parafuso de ajuste de marcha lenta do carburador.

Proteção

A proteção evita que objetos sejam ejetados na direção do operador. A proteção também evita o contato acidental do operador com a corrente da serra.

- Certifique-se de que a proteção seja permitido para operação em combinação com o produto.
- Não use o produto sem a proteção.
- Certifique-se de que a proteção não esteja danificada. Substitua a proteção se ela estiver desgastada ou tiver trincas.

Segurança do combustível

- Não ligue o produto se houver combustível ou óleo de motor sobre ele. Remova o combustível/óleo indesejado e deixe o produto secar. Remova o combustível indesejado do produto.

- Antes de reabastecer, abra a tampa do reservatório de combustível lentamente e libere a pressão cuidadosamente.
- Não adicione combustível ao motor em uma área coberta. Um fluxo de ar insuficiente pode causar ferimentos ou morte por asfixia ou monóxido de carbono.
- Aperte cuidadosamente a tampa do reservatório de combustível, ou haverá um incêndio.
- Mova o produto para um mínimo de 3 m (10 pés) da posição na qual você abasteceu o tanque antes de ligar o motor.
- Não coloque combustível demais no reservatório de combustível.
- Certifique-se de que não há possibilidade de haver um vazamento quando você mover o produto ou o recipiente de combustível.
- Não coloque o produto ou um recipiente de combustível onde haja uma chama aberta, fagulha ou luz piloto. Certifique-se de que a área de armazenamento não contenha uma chama aberta.
- Use apenas recipientes aprovados para mover o combustível ou armazená-lo.
- Esvazie o reservatório de combustível antes de armazenar por períodos prolongados. Respeite a legislação local sobre descarte de combustível.
- Limpe o produto antes de armazenamento por períodos prolongados.
- Remova a vela de ignição antes de armazenar o produto para evitar arranque acidental do motor.

Instruções de segurança para manutenção

- Desconecte a vela de ignição antes de realizar a manutenção do produto, não incluindo ajustes do carburador.
 - Todas as revisões do produto devem ser feitas por um revendedor aprovado, não incluindo as tarefas em *MANUTENÇÃO* na página 434.
 - Certifique-se de que a corrente da serra tenha parado de se mover quando o acelerador for liberado.
 - Mantenha as alças secas, limpas e livres de óleo ou mistura de combustível.
 - Mantenha as tampas e os fixadores apertados corretamente.
 - Componentes de reposição que não forem aprovados ou a remoção de dispositivos de segurança pode causar danos ao produto. Isso também pode causar possíveis ferimentos ao operador ou pessoas próximas. Use apenas os acessórios e peças de reposição conforme recomendados. Não modifique o seu produto.
 - Mantenha a corrente da serra afiada e limpa para um desempenho satisfatório e seguro.
- Obedeça as instruções para lubrificação e troca dos acessórios.
 - Examine o produto à procura de peças danificadas. Antes de continuar usando o produto, certifique-se de que a peça ou proteção danificada opere corretamente. Examine se há peças quebradas ou alinhadas incorretamente, e peças que não se movem livremente. Veja se há outras condições que podem ter efeito sobre o funcionamento do produto. Certifique-se de que o produto esteja instalado corretamente. Uma proteção ou outra peça danificada deve ser reparada ou substituída por um revendedor aprovado, a menos que especificado no manual do operador.
 - Quando o produto não estiver em operação, mantenha-o em uma área seca, alta ou trancada, longe do alcance de crianças.
 - Durante o transporte e a armazenagem do produto, use uma tampa da barra de orientação ou caixa para mover o produto.
 - Não use óleo descartado. Óleo velho pode ser perigoso para você e causar danos ao produto e ao meio ambiente.

MONTAGEM



AVISO: Leia e compreenda o capítulo sobre segurança antes de montar o produto.

Para montar a barra de orientação e a corrente da serra

1. Remova a tampa da vela de ignição da vela de ignição durante a montagem para evitar um arranque acidental. (Fig. 39) (Fig. 40)
 2. Remova as porcas da barra e a tampa da embreagem. Remova a proteção para transporte (A). (Fig. 41)
 3. Coloque a barra de orientação acima dos parafusos da barra. Dirija a barra de orientação à posição traseira máxima.
 4. Coloque luvas protetoras para motosserra.
 5. Levante a corrente da serra acima da engrenagem de acionamento e encaixe-a na ranhura da barra de orientação. Dê partida na borda superior da barra de orientação. (Fig. 42)
 6. Certifique-se de que as extremidades dos elos de corte estejam voltadas para frente na borda superior da barra de orientação.
7. Monte a tampa da embreagem e vire o pino do ajustador da corrente no orifício da barra de orientação.
 8. Certifique-se de que os elos de acionamento da corrente da serra encaixem corretamente na engrenagem de acionamento. Além disso, certifique-se de que a corrente da serra esteja corretamente engatada na ranhura da barra de orientação.
 9. Aperte as porcas da barra de orientação com seus dedos.
 10. Aperte a corrente da serra, girando o parafuso tensor da corrente no sentido horário com a chave combinada. Aperte a corrente da serra até que ela não se vergue por debaixo da barra de orientação, mas possa ser girada facilmente com a mão. (Fig. 43) e (Fig. 44)
 11. Segure a extremidade da barra de orientação e aperte as porcas da barra com a chave combinada. (Fig. 45)
 - Após montar uma nova corrente da serra, examine a tensão da corrente com frequência até que a corrente da serra seja amaciada.
 - Examine a tensão da corrente regularmente. Tensão correta na corrente resulta em um bom desempenho de corte e longa vida útil.

OPERAÇÃO



AVISO: Leia e compreenda o capítulo sobre segurança antes de operar o produto.

Para usar o combustível



CUIDADO: Este produto tem um motor de dois tempos. Use uma mistura de gasolina e óleo para motor de dois tempos. Certifique-se de usar a quantidade correta de óleo na mistura. A proporção incorreta de gasolina e óleo pode causar danos ao motor.

Proporção da mistura de combustível

A proporção da mistura de combustível para gasolina e o óleo de motor dois tempos é de 50:1 (2%)

Gasolina	Óleo para motor de dois tempos
1 galão (EUA)	77 ml (2,6 oz)
1 galão (Reino Unido)	95 ml (3,2 oz)
5 L	100 ml (3,4 oz)

Para fazer a mistura do combustível

- Determine a quantidade correta de gasolina e óleo do motor (proporção de mistura 50:1). Não misture combustível necessário para mais de 30 dias. Consulte *Proporção da mistura de combustível na página 432*.
- Com uma válvula antivazamento, acrescente metade da quantidade de gasolina em um recipiente limpo para combustível.



CUIDADO: Não use gasolina com mais de 10% concentração de etanol (E10). Isso pode causar danos ao produto.



CUIDADO: Não use gasolina com octanagem menor que 90 RON (87 AKI). Isso pode causar danos ao produto.

Observação: Use gasolina com uma octanagem mais elevada se você usa o produto continuamente com alta rotação do motor.

- Adicione a quantidade total do óleo para motor dois tempos no recipiente de combustível.



CUIDADO: Sempre use óleo para motor de dois tempos arrefecido a ar de alta

qualidade. Outros óleos podem causar danos ao produto.

- Agite a mistura para misturar o conteúdo.
- Adicione a quantidade restante de gasolina no recipiente de combustível.
- Agite a mistura para misturar o conteúdo.
- Encha o reservatório de combustível do produto com a mistura de combustível. Consulte *Proporção da mistura de combustível na página 432*.

Abastecer o reservatório de combustível

- Certifique-se de que a mistura de combustível esteja correta e que a mistura de combustível esteja em um recipiente com uma válvula antivazamento.
- Se houver algum combustível no recipiente, remova o combustível indesejado e deixe o recipiente secar.
- Certifique-se de que a área próxima à tampa do reservatório de combustível esteja limpa.
- Remova a tampa do depósito de combustível. (Fig. 46)
- Agite o recipiente de combustível antes de adicionar a mistura de combustível ao tanque.
- Recoloque a tampa do reservatório de combustível.

Para lubrificar a corrente da serra

O produto tem um sistema de lubrificação automática. Certifique-se de usar somente o óleo da corrente correto e obedeça as instruções.

- Use óleo de corrente de serra de base vegetal ou um óleo de corrente padrão.
- Certifique-se de que a área próxima à tampa do tanque de óleo da corrente da serra esteja limpa.
- Remova a tampa do depósito de óleo da corrente da serra.
- Encha o reservatório do óleo da corrente com o óleo de corrente recomendado.
- Recoloque a tampa do tanque de óleo da corrente da serra.

Antes de dar partida no motor

- Verifique se há peças ausentes, danificadas, soltas ou desgastadas no produto.
- Examine as porcas, parafusos e pinos.
- Examine o filtro de ar.
- Examine a trava do gatilho e o controle do acelerador quanto ao funcionamento correto.
- Examine o interruptor de parada quanto ao funcionamento correto.
- Examine o produto à procura de vazamentos de combustível.
- Examine a afiação e a tensão da corrente da serra.

Para dar partida a frio em um motor

1. Mova a proteção dianteira para a frente para ativar o freio da corrente. (Fig. 47)
2. Puxe o controle do afogador para fora e para cima.
3. Empurre o bulbo de escorvamento 6 vezes. (Fig. 48)
4. Segure o corpo do produto sobre o solo com a sua mão esquerda. Não pise no produto. Puxe a corda de arranque lentamente até sentir alguma resistência. Em seguida, puxe a alça da corda de arranque com força. (Fig. 49)

Observação: Não puxe o gatilho do acelerador enquanto dá a partida no motor.

5. Continue a puxar a alça da corda de arranque até o motor dar partida ou tentar ligar (máx. 3 puxões). Se o motor entrar em funcionamento ou tentar ligar, empurre o controle do afogador para baixo. (Fig. 50)



CUIDADO: Não puxe a corda de arranque até que ela pare. Não solte a corda de arranque quando ela estiver totalmente estendida. Solte a corda de arranque lentamente. Não obedecer essas instruções pode causar danos ao motor.

6. Continue a puxar até o motor começar a funcionar. Aguarde 60 segundos após a partida antes de puxar o gatilho do acelerador.
7. Puxe a proteção dianteira na direção do punho dianteiro para desengatar o freio da corrente.
8. Segure o punho traseiro com sua mão direita e o punho dianteiro com sua mão esquerda.
9. Use o produto.

Para dar partida a quente em um motor

1. Mova a proteção dianteira para a frente para ativar o freio da corrente. (Fig. 51)
2. Puxe o controle do afogador para fora e para cima.
3. Empurre o bulbo de escorvamento 6 vezes. (Fig. 52)
4. Empurre para baixo o controle do afogador. (Fig. 53)
5. Segure o corpo do produto sobre o solo com a sua mão esquerda. Não pise no produto. Puxe a corda de arranque lentamente até sentir alguma resistência. Em seguida, puxe a alça da corda de arranque com força. (Fig. 54)



CUIDADO: Não puxe a corda de arranque até que ela pare. Não solte a corda de arranque quando ela estiver totalmente estendida. Solte a corda de

arranque lentamente. Siga estas instruções para evitar danos ao motor.

Observação: Não puxe o gatilho do acelerador enquanto dá a partida no motor.

6. Continue a puxar a alça da corda de arranque até o motor dar partida ou tentar ligar (máx. 3 puxões). Aguarde 60 segundos após a partida antes de puxar o gatilho do acelerador.
7. Puxe a proteção dianteira para trás na direção da alça frontal para desengatar o freio da corrente.
8. Segure o punho traseiro com sua mão direita e o punho dianteiro com sua mão esquerda.
9. Use o produto.

Para dar partida no motor quando o combustível estiver muito quente

Se o produto não começar a funcionar, o combustível pode estar muito quente.

Observação: Sempre use combustível novo e diminua o tempo de operação durante clima quente.

1. Coloque o produto em uma área afastada de luz solar.
2. Deixe que o produto esfrie por 20 minutos, no mínimo.
3. Pressione o bulbo de escorvamento novamente e novamente por 10 a 15 segundos.
4. Obedeça o procedimento para dar partida em um motor frio. Consulte *Para dar partida a frio em um motoma página433*.

Para interromper o funcionamento

- Pressione o interruptor de parada para parar o motor.

Observação: O interruptor de parada volta automaticamente à posição inicial.

Usar a ponta de batente

A ponta de batente impede contragolpes e segura a madeira à medida que o corte é feito. A ponta de batente é um pivô entre a carcaça do motor e a barra de orientação.

1. Coloque a extremidade inferior da ponta de batente na largura correta da dobradiça.
2. Pressione, com a sua mão esquerda, contra a alça frontal enquanto levanta a alça traseira com a sua mão direita.
3. Serre até obter a largura correta da dobradiça.

Observação: A dobradiça deve ter a mesma espessura.

4. Serre mais da metade do diâmetro e, em seguida, coloque a cunha de corte no corte da serra.

Para derrubar uma árvore

1. Remova sujeira, pedras, cascas soltas, pregos, grampos e fios da árvore.
2. Faça um entalhe de 1/3 do diâmetro da árvore, perpendicular à direção da queda. (Fig. 55)
3. Faça o corte horizontal mais para baixo. Isso ajuda a impedir que a corrente da serra ou a barra de orientação fique presa quando o segundo entalhe for feito.
4. Faça o corte atrás da queda (X) no mínimo 50 mm (2 pol) maior do que o entalhe de corte horizontal. Mantenha o corte atrás da queda paralelo com o entalhe de corte horizontal, deixando madeira suficiente para formar uma dobradiça. Não corte através da dobradiça. A dobradiça de madeira impede que a árvore torça e caia na direção incorreta. (Fig. 56) e (Fig. 57)
5. À medida que o corte atrás se aproxima da dobradiça, a árvore começa a cair. Certifique-se de que a árvore caia na direção correta e não balance para trás, prendendo a corrente da serra. Para prevenir que isso aconteça, pare o corte antes de completar o corte atrás da queda. Use cunhas de madeira, plástico ou de alumínio para abrir o corte e deixe a árvore cair ao longo da linha de queda necessária. (Fig. 58)
6. Quando a árvore começar a cair, retire o produto do corte. Desligue o motor, solte o produto e use a rota de fuga planejada. Tenha cuidado com a queda de galhos e com onde pisa. (Fig. 59)

Para cortar um galho de uma árvore

1. Use os ramos maiores para manter a tora fora do solo.
2. Remova galhos menores em um corte. (Fig. 60)
3. Ramos com tensão devem ser cortados de baixo para cima para evitar que a corrente da serra ou a barra de orientação fique presa.

Para cortar um tronco



CUIDADO: Não deixe a corrente da serra tocar o solo.

- Se o tronco tiver suporte ao longo de seu comprimento total, corte a partir de cima do tronco (corte por cima). (Fig. 61)
- Se o tronco tiver suporte em uma das extremidades, corte 1/3 do diâmetro de debaixo do tronco (corte por baixo).
- Se o tronco tiver suporte nas duas extremidades, corte 1/3 do diâmetro a partir da parte superior. Complete o corte fazendo o corte por baixo dos 2/3 inferiores do tronco até tocar o primeiro corte. (Fig. 62)
- Se você estiver cortando o tronco em uma área inclinada, fique sempre na área mais alta do tronco. Corte o tronco mantendo pleno controle do produto. Em seguida, libere a pressão de corte perto da extremidade do corte, segurando firmemente o punho traseiro e o punho dianteiro. (Fig. 63)

MANUTENÇÃO



AVISO: Leia e compreenda o capítulo de segurança antes de limpar, reparar ou realizar manutenção no produto.

Cronograma de manutenção

Certifique-se de obedecer à programação de manutenção. Os intervalos são calculados com base no uso diário do produto. Os intervalos são diferentes se você não usa o produto diariamente. Só realize manutenção que puder ser encontrada neste manual. Fale com um centro de atendimento aprovado sobre outros serviços de manutenção encontrados neste manual.

Manutenção diária

- Limpe as superfícies externas.
- Certifique-se de que a trava do gatilho e o gatilho funcionem corretamente.
- Limpe o freio da corrente e certifique-se de que ele funciona corretamente.

- Examine o retentor da corrente quanto a danos. Se estiver danificado, substitua o retentor da corrente.
- Gire a barra de orientação diariamente para obter um desgaste mais por igual.
- Certifique-se de que o orifício de lubrificação na barra de orientação não esteja entupido.
- Retire da serra a poeira e outros materiais indesejáveis de debaixo da tampa da engrenagem.
- Limpe a ranhura da barra de orientação. (Fig. 64)
- Certifique-se de que a barra de orientação e a corrente da serra recebam óleo suficiente.
- Examine a corrente da serra:
 - para ver se há trincas nos rebites e elos.
 - quanto a rebites e elos desgastados irregularmente.
 - quanto a tensão correta.
 - quanto a rebarbas nas articulações de acionamento da corrente.

Se necessário, substitua a corrente da serra.

- Afie a corrente da serra. Consulte *Para afiar a corrente da serrana página436*.
- Examine a engrenagem de acionamento para ver se há muito desgaste e substitua-a se necessário. (Fig. 65)
- Limpe a entrada de ar no alojamento do motor.
- Certifique-se de que as porcas e os parafusos estejam apertados.
- Certifique-se de que o interruptor liga/desliga funcione corretamente.

Manutenção semanal

- Certifique-se de que o sistema de arrefecimento funcione corretamente.
- O motor de arranque, a corda do motor de arranque e a mola de retorno devem funcionar corretamente.
- Certifique-se de que os elementos amortecedores de vibrações não estejam danificados.

(Fig. 66)

- Lime todas as rebarbas das bordas da barra de orientação.
- Limpe ou substitua a tela supressora de fagulhas da vela do silenciador.

(Fig. 67)

- Limpe as superfícies externas do carburador e suas áreas adjacentes.
- Limpe o filtro de ar. Instale um novo filtro de ar se ele estiver danificado ou sujo demais para ser totalmente limpo. Consulte *Para limpar o filtro de arna página436* para obter mais informações.

Manutenção mensal

- Examine a cinta do freio no freio da corrente em busca de desgaste. Se a espessura da cinta do freio for menor que 0,6 mm (0,024 pol.) no ponto de maior desgaste, substitua-a.

(Fig. 68)

- Examine o centro da embreagem, o tambor da embreagem e a mola da embreagem quanto a desgaste.
- Limpe a vela de ignição. Verifique se o eletrodo está com a folga correta.

(Fig. 69)

- Limpe as superfícies externas do carburador e suas áreas adjacentes.
- Examine o filtro de combustível e a mangueira de combustível. Substitua se necessário.
- Esvazie o reservatório de combustível.
- Esvazie o reservatório de óleo.
- Examine todos os cabos e conexões.

Manutenção anual

- Examine a vela de ignição.
- Limpe as superfícies externas do carburador e suas áreas adjacentes.

- Limpe o sistema de arrefecimento.
- Examine a tela supressora de fagulhas.
- Examine o filtro de combustível.
- Examine a mangueira de combustível à procura de danos.
- Examine todos os cabos e conexões.

Manutenção Intermitente

- Leve a um centro de atendimento aprovado ou substitua o silencioso após 50 horas de operação.
- Faça a manutenção na vela de ignição quando:
 - o nível de potência do motor estiver baixo.
 - for difícil dar partida no motor.
 - o motor não funcionar corretamente em marcha lenta.
- Faça uma verificação da lubrificação da corrente da serra a cada reabastecimento. Consulte *Para fazer uma verificação da lubrificação da corrente da serrana página437*.

Para ajustar a marcha lenta

Certifique-se de que o filtro de ar esteja limpo e a tampa do filtro de ar esteja conectada antes de ajustar a marcha lenta.

1. Gire o parafuso de ajuste da marcha lenta, que é identificado com uma marca "T", no sentido horário até a corrente da serra começar a girar.
2. Gire o parafuso de ajuste da marcha lenta, que é identificado com uma marca "T", no sentido anti-horário até a corrente da serra parar de girar.
3. A marcha lenta deve estar abaixo da rotação de quando a corrente da serra começar a girar. A marcha lenta está correta quando o motor opera suavemente em todas as posições.

Para fazer manutenção na tela supressora de fagulhas

- Use uma escova de aço para limpar a tela supressora de fagulhas. (Fig. 70)

Para fazer manutenção na vela de ignição



CUIDADO: Use a vela de ignição recomendada. Certifique-se de que a peça de reposição seja do mesmo fabricante da peça fornecida pelo fabricante. Uma vela de ignição incorreta pode causar danos ao produto.

1. Se houver problemas de partida ou funcionamento do produto, examine a vela de ignição à procura de materiais indesejados. Para diminuir o risco de presença de material indesejado nos eletrodos da vela de ignição:

- a) Certifique-se de que a marcha lenta esteja ajustada corretamente.
 - b) Certifique-se de que a mistura de combustível esteja correta.
 - c) Certifique-se de que o filtro de ar esteja limpo.
2. Limpe a vela de ignição se estiver suja. Verifique se o eletrodo está com a folga correta. (Fig. 71)
 3. Substitua a vela de ignição quando for necessário.

Para limpar o filtro de ar

1. Remova a tampa do filtro de ar e remova o filtro. (Fig. 72)
2. Limpe o filtro de ar com água morna e sabão. Certifique-se de que o filtro de ar esteja seco antes de instalá-lo.
3. Se o filtro de ar estiver sujo demais para limpá-lo totalmente, substitua-o. Sempre substitua um filtro de ar danificado.

Para afiar a corrente da serra

O cortador

A parte de corte da corrente da serra é chamada de cortadora e é composta por um dente de corte (A) e pela abertura de corte (B). A profundidade de corte das cortadoras é determinada pela diferença de altura entre as duas, o ajuste da abertura de corte (C).

(Fig. 73)

Ao afiar o dente de corte, quatro fatores importantes devem ser observados:

- Ângulo de limadura.

(Fig. 74)

- Ângulo de corte.

(Fig. 75)

- Posição da lima.

(Fig. 76)

- Diâmetro da lima redonda.

(Fig. 77)

Para afiar os dentes de corte

Use uma lima redonda e um calibrador de lima para afiar os dentes de corte. Consulte *Abastecimento da corrente da serra e combinações da corrente da serrana página 439* para obter informações sobre a dimensão recomendada da lima e do medidor para a corrente de serra instalada no seu produto.

(Fig. 78)

1. Certifique-se de que a corrente da serra tenha a tensão correta. Uma corrente sem a tensão correta se move para um lado não e não afia corretamente.
2. Use a lima em todos os dentes de um lado. Em seguida, use a lima nos dentes de corte a partir da face interna e diminua a pressão na direção inversa.

3. Vire o produto para o lado oposto e use a lima nos dentes.
4. Use a lima para manter todos os dentes no mesmo comprimento. Substitua a corrente da serra desgastada se o comprimento dos dentes de corte baixar para 4 mm (5/32 pol).

Para ajustar a abertura de corte

Afie os dentes de corte antes de ajustar a abertura de corte. Consulte *Para afiar os dentes de cortena página 436*. Depois de afiar os dentes de corte (A), o ajuste da abertura de corte (C) diminuirá. Para manter um desempenho de corte ideal, a abertura de corte (B) deve ser limada para baixo para atingir o ajuste de abertura de corte recomendado. Consulte *Abastecimento da corrente da serra e combinações da corrente da serrana página 439* para saber o ajuste correto da abertura de corte para sua corrente.

(Fig. 79)

(Fig. 80)

Observação: Essa recomendação presume que o comprimento dos dentes de corte não está reduzido excessivamente.

Use uma lima plana e um medidor de profundidade para ajustar a profundidade.

1. Coloque a ferramenta de abertura de corte acima da corrente da serra. Informações detalhadas sobre como utilizar a ferramenta de abertura de corte encontram-se no pacote da ferramenta de abertura de corte.
2. Use a lixa plana na ponta da abertura de corte que se estende através da ferramenta de abertura de corte. A configuração da abertura de corte está correta quando você não sentir mais resistência ao lixar ao longo da ferramenta de abertura de corte.

Para tensionar a corrente da serra

Observação: Verifique a tensão da nova corrente da serra frequentemente durante o seu período de amaciamento.

1. Solte as porcas da barra de orientação que prendem a tampa da engrenagem. Use a chave combinada. (Fig. 81)
2. Aperte as porcas da barra de orientação com a mão o mais apertado possível.
3. Levante a parte de cima da barra de orientação e estenda a corrente da serra apertando o parafuso tensor da corrente. Use a chave combinada. Aperte a corrente da serra até que ela não fique pendurada na parte inferior da barra de orientação. (Fig. 82)
4. Aperte as porcas da barra de orientação usando a chave combinada e levante a extremidade da barra de orientação ao mesmo tempo. (Fig. 83)

5. Certifique-se de que você possa puxar a corrente da serra ao redor livremente com a mão e de que ela não se vergue. (Fig. 84)
 3. Se você não puder ver a linha de óleo depois de 1 minuto, limpe o canal de óleo na barra de orientação. Limpe a ranhura na borda da barra de orientação. Certifique-se de que a engrenagem da ponta da barra de orientação gire livremente e que não haja obstruções no orifício de lubrificação. Limpe e lubrifique a engrenagem da ponta.
 4. Ligue o produto e deixe-o funcionar a 3/4 da velocidade. Aponte a ponta da barra para uma superfície de cor leve a cerca de 20 cm (8 pol) de distância.
 5. Depois de 1 minuto de funcionamento, uma linha de óleo aparece na superfície.
 6. Se você não vir a linha de óleo depois de 1 minuto, entre em contato com o seu revendedor aprovado.
1. Ligue o produto e deixe-o funcionar a 3/4 da velocidade. Aponte a ponta da barra de orientação para uma superfície de cor leve a cerca de 20 cm (8 pol) de distância.
 2. Depois de 1 minuto de funcionamento, uma linha de óleo aparece na superfície.

TRANSPORTE

- Esvazie o reservatório de combustível e os tanques de óleo da corrente antes do transporte. Descarte os fluidos usados corretamente.
- Coloque a tampa na barra de orientação no acessório de corte durante o transporte. Isso impede que pessoas toquem acidentalmente na corrente afiada. Mesmo fora de operação, a corrente da serra é afiada e pode ferir gravemente você ou outras pessoas que a toquem.
- Remova a tampa da vela de ignição da vela de ignição e engate o freio da corrente antes do transporte.
- Certifique-se de que o produto não possa se mover durante o transporte.

ARMAZENAMENTO

- Sempre guarde o produto em segurança quando não estiver em operação. Vazamentos e vapores do produto podem entrar em contato com faíscas, chamas abertas de equipamentos elétricos, podadores elétricos, relés/interruptores, caldeiras e outros.
- Sempre guarde o combustível em um recipiente aprovado.
- Esvazie o reservatório de combustível e os tanques de óleo da corrente quando o produto for armazenado por longos períodos de tempo. Descarte os fluidos usados corretamente.
- Durante o armazenamento, coloque a tampa na barra de orientação. Isso impede que pessoas toquem acidentalmente na corrente afiada. Mesmo fora de operação, a corrente da serra é afiada e pode ferir você ou outras pessoas que a toquem.
- Remova a tampa da vela de ignição da vela de ignição e engate o freio da corrente antes do armazenamento.

DADOS TÉCNICOS

	Unidade	130 (H13038HV)	135 Mark II (H13038HV)
Especificações do motor			
Cilindrada	cm ³	38	38
Vela de ignição	—	NGK BPMR 7A	NGK BPMR 7A
Folga do eletrodo	mm (pol.)	0,5 (0,02)	0,5 (0,02)
Volume do reservatório de combustível	cm ³	350	350
Marcha lenta	min ⁻¹	2800 a 3200	2800 a 3200

	Unidade	130 (H13038HV)	135 Mark II (H13038HV)
Potência a 9000 min ⁻¹	kW	1,5	1,6
Período de durabilidade das emissões	h	125	125
Dados de vibração e ruído			
Nível de vibração equivalente (ahv, eq) da alça esquerda ¹⁴⁶	m/s ²	3,72	3,72
Nível de vibração equivalente (ahv, eq) da alça direita ¹⁴⁷	m/s ²	5,5	5,5
Nível de potência sonora, garantido (L _{WA}) ¹⁴⁸	dB(A)	116	116
Nível de potência sonora, medido ¹⁴⁹	dB(A)	114	114
Nível de pressão sonora no ouvido do operador ¹⁵⁰	dB(A)	102	102
Dimensões do produto			
Peso (exceto equipamento de corte)	kg	4,68 (10,3)	4,68 (10,3)
Volume do reservatório de óleo	cm ³	260	260
Sistema de combustível e lubrificação			
Capacidade da bomba de óleo a 9000 min ⁻¹	ml/min	9	9
Tipo de bomba de óleo	—	Automático	Automático
Corrente da serra e barra de orientação			
Comprimento da barra de orientação padrão	cm (pol.)	35-40 (14-16)	35-40 (14-16)
Comprimento da barra de orientação recomendado	cm (pol.)	35-40 (14-16)	35-40 (14-16)
Comprimento de corte utilizável	cm (pol.)	33-38 (13-15)	33-38 (13-15)
Velocidade máxima da corrente da serra	m/s	22,3	22,3
Passo da corrente da serra	mm (pol.)	9,52 (3/8)	9,52 (3/8)
Espessura dos elos de acionamento (medidor)	mm (pol.)	1,3 (0,050)	1,3 (0,050)
Tipo de engrenagem de acionamento	—	Engrenagem	Engrenagem
Número de dentes da engrenagem de acionamento	—	6	6

¹⁴⁶ O nível de vibração equivalente é calculado como o total de energia ponderado de acordo com tempo para diferentes níveis de vibração sob várias condições de trabalho. Os dados informados para nível de vibração têm uma dispersão estatística típica (desvio padrão) de 1,5 m/s².

¹⁴⁷ O nível de vibração equivalente é calculado como o total de energia ponderado de acordo com tempo para diferentes níveis de vibração sob várias condições de trabalho. Os dados informados para nível de vibração têm uma dispersão estatística típica (desvio padrão) de 1,5 m/s².

¹⁴⁸ Emissões de ruído no meio ambiente medidas como potência sonora (L_{WA}).

¹⁴⁹ Emissões de ruído no meio ambiente medidas como potência sonora (L_{WA}).

¹⁵⁰ O nível de pressão sonora equivalente é calculado como o total de energia ponderado de acordo com tempo para diferentes níveis de pressão sonora sob várias condições de trabalho. A dispersão estatística típica para nível de pressão sonora equivalente é um desvio-padrão de 2,5 dB(A).

ACESSÓRIOS

Combinações de barra de orientação e corrente da serra

Barra de orientação				Corrente da serra	
Comprimento	Passo	Calibre	Raio da ponta máx.	Tipo	Contagem de elos de acionamento
14 pol	3/8 pol	0,050 pol	7T	Husqvarna H37	52
16 pol				Husqvarna S93G	56

Abastecimento da corrente da serra e combinações da corrente da serra

Tipo de corrente	Tamanho da lima redonda	Ângulo da placa lateral	Ângulo da placa superior	Ângulo de limadura guia	Configuração da abertura de corte	Medidor de profundidade, nº de peça	Medidor de limadura, nº de peça
H37, S93G	5/32 pol. 4,0 mm	80°	30°	0°	0,025/0,65	5056981-03	5052437-01

CONTEÚDO DA DECLARAÇÃO DE CONFORMIDADE EC

Nós, Husqvarna AB, SE 561 82 Huskvarna, SUÉCIA, declaramos, sob nossa exclusiva responsabilidade, que o produto representado:

Descrição	Motosserra a gasolina
Marca	Husqvarna
Plataforma / Tipo / Modelo	Plataforma H13038HV, representando modelo 130, 135 Mark II
Lote	Número de série com data a partir de 2018

está em total acordo com as seguintes diretivas e normas da EC:

Diretiva/Norma	Descrição
2006/42/EC	"relativa a maquinário"
2014/30/EU	"relativa à compatibilidade eletromagnética"

Diretiva/Norma	Descrição
2000/14/EC	"relativa ao ruído externo"
2011/65/EU	"restrição do uso de determinadas substâncias perigosas"

Os padrões harmonizados e/ou especificações técnicas aplicadas são os seguintes: EN ISO 12100, EN ISO 11681-1, CISPR 12, ISO 14982

De acordo com a diretiva 2000/14/EC, Anexo V, os valores sonoros declarados são informados na seção de dados técnicos deste manual e na Declaração de Conformidade da UE assinada.

TÜV Rheinland LGA Products GmbH, Notified Body for Machinery (notificado sob 0197), Tillystraße 2 - 90431 Nürnberg, Germany, realizou uma avaliação tipo EC em conformidade com a norma 2006/42/EC, artigo 12, ponto 3b.

O certificado de avaliação de tipo, conforme o Anexo IX conforme a Declaração de Conformidade assinada, é

aplicável a todos os locais de fabricação e países de origem, conforme informado no produto.

Esta motosserra está em conformidade com o exemplo que foi submetido a um exame de tipo EC.

目次

はじめに.....	441	搬送.....	451
安全性.....	442	保管.....	451
組み立て.....	446	主要諸元.....	451
操作.....	446	アクセサリ.....	453
メンテナンス.....	448	EC 適合宣言の内容.....	453

はじめに

取扱説明書

本取扱説明書は元々、英語で作成されています。他の言語版の取扱説明書は、英語から翻訳されたものです。

概要

(図 1)

1. シリンダーカバー
2. プライマルバルブ
3. 製品およびシリアル番号の付いたプレート
4. 情報と警告ラベル
5. 停止スイッチ
6. リアハンドル
7. 燃料タンク
8. スターターロープハンドル
9. スターターハウジング
10. 伐採方向マーク
11. チェンオイルタンク
12. フロントハンドル
13. チェンブレーキとフロントハンドガード
14. マフラー
15. ソーチェン
16. ノーズスプロケット
17. ガイドバー
18. チェンの張り調整ネジ (130)
19. チェン張りネジ (135 Mark II)
20. スバイクバンパー
21. チェンキャッチャー
22. クラッチカバー
23. 右手ガード
24. スロットルトリガー
25. スロットルトリガーロック
26. ガイドバーカバー
27. コンピツール
28. 取扱説明書

製品に表記されるシンボルマーク

(図 2) 警告

(図 3) 本取扱説明書をお読みください

(図 4) 認可されたヘルメット、イヤマフ、および防護メガネを着用してください

(図 5) 認可された保護グローブを着用してください

(図 6) 本製品は EC 指令適合製品です

(図 7) 音響レベル

(図 8) チェンブレーキ、解除 (左)。チェンブレーキ、接続 (右)

(図 9) チョークコントロール

(図 10) プライマルバルブ

(図 11) 給油

(図 12) チェンオイルの補充

(図 13) 本製品は EAC 指令適合製品です

(図 14) 本製品はウクライナ指令適合製品です

(図 15) 本製品は韓国指令適合製品です

(図 16) 本製品は日本指令適合製品です

(図 17) ノイズレベル

(図 18) 本製品は両手で適切に持ってください

(図 19) 片手で使用しないでください

(図 20) ガイドバーのノーズに触れないでください

(図 21) キックバックに注意してください

(図 22) 本製品はオーストラリアおよびニュージーランドの電磁環境適合性に関する指令に適合した製品です。

注記：本製品に付いている他のシンボル / 銘板は、他の商業地域に向けた認定条件を示します。

提案 65

(図 23)

EU V



警告：エンジンを改造すると、この製品の EC 型式認証が無効になります。

製造物責任

製造物責任法に基づき、当社は、次の場合については本製品を原因とする損傷について責任を負いません。

- 本製品が誤って修理された場合。
- メーカーによるものではない部品、またはメーカーの認可していない部品を使用して本製品を修理した場合。
- メーカーによるものではないアクセサリ、またはメーカーの認可していないアクセサリを本製品に使用した場合。
- 認定サービスセンターまたは認定機関で本製品が修理されていない場合。

安全性

安全性の定義

各シグナルワードの重大度の定義は次のとおりです。



警告：人身傷害。



注意：製品の損傷。

注記：この情報は、本製品を使用しやすくするためのものです。

一般的な安全注意事項

- 本製品は正しく使用してください。誤って使用すると負傷または死亡する可能性があります。本取扱説明書に記載されている作業以外に本製品を使用しないでください。他の作業に本製品を使用しないでください。
- 本取扱説明書の指示を読んで、理解し、従ってください。安全記号と安全注意事項に従ってください。作業者がこれらの指示や記号に従わない場合、負傷、損傷、または死亡に至る可能性があります。
- 本取扱説明書は破棄しないでください。製品を組み立て、操作し、良好な状態に保つために、指示に従ってください。アタッチメントやアクセサリを正しく取り付けるために、指示に従ってください。認可されたアタッチメントやアクセサリのみを使用してください。
- 損傷した製品は使用しないでください。メンテナンスのスケジュールに従ってください。本取扱説明書で説明しているメンテナンス作業のみを行ってください。他のすべてのメンテナンス作業は認定サービスセンターが行います。
- 本取扱説明書には、本製品使用時に発生する可能性のあるすべての状況を記載することはできません。常識に基づいて注意して使用してください。状況が不明な場合は、本製品を操作したり、メンテナンス

したりしないでください。情報が必要な場合は、製品の専門家、販売店、サービスエージェント、または認定サービスセンターにお問い合わせください。

- スパークプラグケーブルを取り外してから、本製品の組み立て、保管場所への保管、またはメンテナンスを行ってください。
- 本製品が初期仕様から変更された場合は、本製品を使用しないでください。メーカーからの承認を受けずに本製品の部品を交換しないでください。メーカーが認可した部品のみを使用してください。誤ってメンテナンスすると、負傷または死亡に至る可能性があります。
- エンジンから出る排気ガスを吸い込まないでください。エンジンの排気ガスやチエンオイルのミスト、切りくずを長期間にわたって吸引すると、健康を害するおそれがあります。
- 屋内や可燃物の近くでは、本製品を始動しないでください。排気ガスは高温で火花を含むこともあり、火災発生の原因となります。十分な空気の流れがないと、窒息や一酸化炭素中毒によって負傷または死亡する可能性があります。
- 本製品では、運転中に電磁場が発生します。電磁場は医療用インプラントに損傷を与える可能性があります。本製品を操作する前に、医師および医療用インプラントメーカーに相談してください。
- 子供に本製品を操作させないでください。
- 指示を理解していない人に本製品を操作させないでください。
- 身体的、精神的にハンデを負った人が本製品を使用する場合は常に監視してください。責任を有する大人が常にそばにいる必要があります。
- 本製品は子供や承認されていない人が立ち入ることのできない場所に保管してください。
- 本製品は物体を飛散させるため、負傷する可能性があります。負傷や死亡の危険性を減らすために安全注意事項に従ってください。
- エンジンをかけたまま本製品から離れないでください。エンジンを停止し、チエンが回転していないことを確認してください。
- 事故が起こった場合、本製品の操作者に責任があります。

- ・ 本製品を使用する前に、部品が損傷していないことを確認してください。
- ・ 国または地域の法律を参照してください。これらの法律により、いくつかの条件で本製品の運転が禁止されていたり、規制されていたりする場合があります。

操作のための安全注意事項

- ・ 製品を継続的または定期的に操作していると、振動が原因で、「白蠟病」あるいはそれと同等の医療上の問題につながるおそれがあります。製品を継続的または定期的に操作している場合は、ご自身の手と指の状態を調べてみてください。もし手や指に退色や、痛み、うずき、麻痺といった症状が見られる場合、すぐに作業を中止して医者にかかってください。
- ・ 使用する前に、本製品が完全に組み立てられていることを確認してください。
- ・ 本製品から物体が飛散し、目に怪我を負う可能性があります。本製品を操作するときは常に、認可された保護メガネを使用してください。
- ・ 本製品の運転中に気づかないうちに子供が近くにいることがあるので注意してください。
- ・ 作業区域に他に人がいる場合は、本製品を操作しないでください。作業区域に人が入った場合は、本製品を停止してください。

(図 24)

- ・ 常に本製品をコントロールできる状態にしてください。
- ・ 本製品は両手で操作してください。本製品は片手で操作しないでください。操作者、作業者、付近にいる人、またはこれらの人たちの集団が重傷を負う原因は、片手での操作によるものです。
- ・ 左手でフロントハンドルを持ち、右手でリアハンドルを持ってください。本製品は身体の右側に保持してください。

(図 25)

- ・ 疲労時、疾病時、またはアルコールや薬の影響下にある場合は、本製品を操作しないでください。
- ・ 事故が起こったときに救助を受けられない状況では、本製品を使用しないでください。本製品を始動する前に、本製品を操作することを他の人に知らせてください。
- ・ 本製品の向きを変える場合は、必ず安全区域に人や動物がいないことを確認してください。
- ・ 作業を開始する前に、作業区域から不要な物を取り除いてください。チェンが物にぶつかると、物体が飛散し、負傷や損害に至る可能性があります。不要な物がチェンに巻き付いて損傷する可能性があります。
- ・ 霧、雨、強風のときや、雷が発生しうるとき、その他悪天候のときは本製品を使用しないでください。悪天候のため、滑りやすい場所など危険な状態が発生する可能性があります。
- ・ 安定した姿勢で自由に移動および作業できることを確認してください。

- ・ 本製品を使用するときは倒れないようにしてください。本製品を操作するときは、身体を傾けないでください。
- ・ 本製品は必ず両手で保持してください。左手でフロントハンドルを持ち、右手でリアハンドルを持ってください。本製品は身体の右側に保持してください。
- ・ エンジンが始動したときにチョークコントロールがチョークの位置にある場合、チェンが回転し始めます。
- ・ 本製品を移動する前にエンジンを停止してください。
- ・ エンジンをかけたまま本製品を置かないでください。
- ・ 本製品から不要な物を取り除く前に、エンジンを停止してください。切断した物を取り除く前に、チェンを停止させてください。
- ・ 本製品は木に登って使用しないでください。木に登って本製品を操作すると、人的傷害を負う可能性があります。

(図 26)

- ・ 始動時にソーチェンが接触する危険性を減らすために、本製品の始動時にチェンブレーキをかける必要があります。

(図 27)

- ・ 重傷を負う可能性があるキックバック、滑走、跳ね返り、落下を避けてください。
- ・ 重傷を負う可能性があるキックバックや他の力を避けられるように、すべての安全注意事項に従ってください。
- ・ 定期的なソーチェンの張りを調整して、ソーチェンにたるみがないことを確認してください。ソーチェンにたるみがあると外れやすくなり、重傷や死亡に至る可能性があります。
- ・ 間違った手順で伐倒を行わないでください。負傷したり、ライフラインに当たったり、財産に損害を与えたりする可能性があります。
- ・ 伐倒後に木が転がったり滑り落ちたりする可能性があるため、操作者は斜面の上方で作業してください。

(図 28)

- ・ 切断を開始する前に、脱出経路を確保してください。脱出経路は、予想される伐倒線の斜め後方に確保する必要があります。

(図 29)

- ・ 本製品を持って木の間を移動する前に、必ずエンジンを停止してください。
- ・ 地面にしっかりと立ち、両足に体重を均等にかけてください。

(図 30)

- ・ 必ず安定した足場を確保し、しっかりと水平に固定されて安全な足場に立って本製品を操作してください。ハンゴのように滑りやすく不安定な足場では、バランスやコントロールを失うことがあります。

(図 31)

キックバック、滑走、跳ね返り、落下

さまざまな力が本製品の安全管理に影響を与える可能性があります。

- **滑走**：ガイドバーが素早く木の上を移動することで。
- **跳ね返り**：ガイドバーが何度も木から離れ、木に触れることです。
- **落下**：切断後に本製品が落下することです。これにより、動いているチェンが身体の一部または他の物に触れることがあり、怪我や損傷を負う可能性があります。
- **キックバック**：ガイドバーの端が物に触れ、後方、上方、または突然前方に動くことです。キックバックは、切断中に木が接近し、ソーチェンを挟んだ場合にも発生します。本製品が木の一部分に触れると、コントロールを失うことがあります。(図 32)
- **回転キックバック**：動いているチェンがガイドバーの上部にある物に触れたときに発生することがあります。これにより、チェンが物体に食い込み、チェンが直ちに停止します。その結果、非常に速い反動が生じて、ガイドバーが操作者に向かって上方および後方に移動します。(図 33)
- **直線キックバック**：切断中にソーチェンが突然停止すると発生することがあります。木が接近し、動いているソーチェンのガイドバーの上部を挟みます。突然チェンが停止するとチェンの力が逆転し、チェンの回転とは逆方向に本製品が動きます。本製品が操作者に向かって後方に移動します。(図 34)
- **引き込み**：動いているチェンのガイドバーの底部が木の一部分に接触し、ソーチェンが突然停止したときに発生することがあります。突然の停止によって本製品が前方に引かれ、操作者から離れるため、操作者が本製品のコントロールを容易に失うこともあります。(図 35)

本製品を操作する前に、さまざまな力とそれらを防止する方法を理解してください。キックバック、跳ね返り、落下を防止するには 444 ページを参照してください。

キックバック、跳ね返り、落下を防止するには

- モーターが動いているときは、本製品をしっかりと保持してください。リヤハンドルに右手、フロントハンドルに左手の状態を維持してください。ハンドルは手でしっかりと握ってください。ハンドルは放さないでください。
- 切断中および木が地面に倒れた後も、本製品のコントロールを維持してください。切断後に本製品の重さによって体勢を崩さないようにしてください。
- 切断作業を行っている場所に障害物がないことを確認してください。本製品の操作中は、ガイドバーのノーズが丸太、枝、その他の障害物に触れないようにしてください。(図 36)
- モーターを高速で回転させて切断します。

- 無理な体勢で作業したり、肩の高さよりも上の位置を切断したりしないでください。(図 37)
- ソーチェンのメーカーによる目立てとメンテナンスの手順に従ってください。
- 交換用ガイドバーとソーチェンは、ハスクバーナの指定品のみを使用してください。
- テブスゲージの設定が高すぎると、キックバックの危険性が増します。

使用者の身体保護具

- 本製品を操作するときは常に、適切なプロテクティブ装具を使用してください。プロテクティブ装具によって事故の発生時に怪我の程度が軽減されます(ただし、怪我をしないということではありません)。
- 着用の服はソーチェンに絡まる場合があるので着用しないでください。
- 認可された保護ヘルメットを使用してください。
- 本製品を操作するときは常に、認可されたイヤーマフを使用してください。長時間の騒音によって聴力が低下する可能性があります。
- 保護メガネまたはバイザーを使用して、飛散物による負傷の危険性を防いでください。本製品により、木くずや木片などが強い力で飛散することがあります。これにより、目などに重傷を負うことがあります。
- チェンソー保護用のグローブを使用してください。
- チェンソー保護用のズボンを使用してください。
- つま先部スチール製、ノンスリップ靴底のチェンソー保護用のブーツを使用してください。
- 救急用具が近くにあることを確認してください。
- マフラー、ガイドバーとソーチェンまたは他の箇所から火花が発生することがあります。常に消火器やシャベルを用意して、森林火災の防止にご協力ください。

本製品の保護装置

- プロテクティブ装具が損傷している製品は使用しないでください。本製品が損傷している場合は、認定サービスセンターにご連絡ください。

停止スイッチを点検するには

1. エンジンを始動します。エンジンを始動する前に 447 ページを参照してください。
2. 停止スイッチを停止位置に移動したときにエンジンが停止することを確認します。

スロットルトリガーのロックを点検するには

1. スロットルトリガーロック (A) を放し、スロットルトリガー (B) がアイドリングの位置にロックされることを確認します (図 38)。
2. スロットルトリガーロック (A) を押し、放すと元の位置に戻ることを確認します。
3. スロットルトリガー (B) を押し、放すと元の位置に戻ることを確認します。
4. エンジンを始動し、フルスロットルにします。

5. スロットルトリガーを放し、ソーチェンが停止するかどうかを点検します。
6. アイドリング状態でもソーチェンがスロットルで回転する場合は、キャブレターのアイドルリング調整ネジを点検します。

ガード

ガードは、物体が作業者のほうに飛ぶことを防ぎます。また、ガードは、作業者とソーチェンが意図せず接触することも防ぎます。

- 本製品と組み合わせて作業に使用することが認可されているガードであるかを確認してください。
- ガードを取り付けずに本製品を使用しないでください。
- ガードに損傷がないことを確認してください。ガードが摩耗やヒビがある場合は交換してください。

燃料の安全について

- 本製品に燃料やエンジンオイルが付着している場合は始動しないでください。不要な燃料やオイルを本製品から除去し、乾かしてください。不要な燃料を本製品から除去してください。
- 衣服にガソリンをこぼした場合は、すぐに着替えてください。
- 燃料が身体に付着しないようにしてください。負傷する場合があります。身体に燃料が付着した場合は、石鹸と水を使用して燃料を洗い流してください。
- 本製品や身体にオイル / 燃料をこぼした場合は、エンジンを始動しないでください。
- エンジンに漏れがある場合は、本製品を始動しないでください。エンジンに漏れがないかどうかは定期的に点検してください。
- 燃料に注意してください。燃料は可燃性で蒸気には爆発性があるため、負傷や死亡に至ることがあります。
- 燃料の蒸気を吸引しないでください。負傷の原因になることがあります。十分な空気の流れを確保してください。
- 燃料やエンジンのそばで喫煙しないでください。
- 燃料やエンジンのそばに温かい物を置かないでください。
- エンジンの稼働中は、燃料を補充しないでください。
- 燃料の補充は、エンジンが冷えてからにしてください。
- 燃料を補充する前に、燃料タンクのキャップを開けて慎重に圧力を解放してください。
- 屋内でエンジンに燃料を補充しないでください。十分な空気の流れがないと、窒息や一酸化炭素中毒によって負傷や死亡に至ることがあります。
- 発火するおそれがあるので、燃料タンクキャップは慎重に閉めてください。
- 始動する前に燃料を入れた場所から本製品を 3 m (10 フィート) 以上移動させてください。
- 燃料タンクに燃料を入れすぎないでください。

- 本製品または燃料容器を動かしたときに漏れないことを確認してください。
- 本製品または燃料容器を裸火、火花、または種火がある場所に置かないでください。保管場所に裸火がないことを確認してください。
- 燃料を移動するとき、または燃料を保管場所に置くときは、認可されている容器のみを使用してください。
- 長期間保管するときは、燃料タンクを空にしてください。燃料を廃棄する場所については、地域の法律に従ってください。
- 長期間保管するときは、本製品を清掃してください。
- エンジンが誤って始動しないようにするために、本製品を保管する前に点火プラグケーブルを外してください。

メンテナンスのための安全注意事項

- 本製品をメンテナンスする前に点火プラグを外してください (キャブレター調整の場合を除く) 。
- 認可された販売店に製品のすべての点検を実施させてください (メンテナンス 448 ページの作業は除く) 。
- スロットルトリガーを放すと、ソーチェンの動作が停止することを確認します。
- ハンドルは乾燥した清潔な状態に保ち、オイルや燃料混合物が付着しないようにしてください。
- キャップや留め具が適切に締められている状態を保ってください。
- 認可されていない部品に交換したり安全装置を取り外したりすると、本製品が損傷する可能性があります。また、操作者や付近にいる人が負傷する可能性もあります。推奨されているアクセサリや交換部品のみを使用してください。お使いの製品を改造しないでください。
- 安全で高い性能を確保するために、ソーチェンを鋭く清潔な状態に保ってください。
- 注油やアクセサリの変更の手順に従ってください。
- 本製品に損傷している部品がないかどうかを点検してください。本製品をさらに使用する前に、破損したガードや部品が正しく動作することを確認してください。破損や誤って配置されている部品がないか、自由に可動しない部品がないかどうかを点検してください。本製品の操作に影響を与える可能性のある他の状況がないかどうかを確認してください。本製品が正しく取り付けられていることを確認します。ガードやその他の損傷した部品は、取扱説明書に記載されていないかぎり、認可された販売店が修理または交換する必要があります。
- 操作しないときは、本製品を子供が近づけない乾燥している高い場所、または鍵をかけた場所に保管してください。
- 本製品の搬送または保管時には、ガイドバーカバーまたはケースを使用して本製品を移動してください。
- 廃油は使用しないでください。廃油は使用者に危険な場合があり、本製品や環境を破壊する場合があります。

組み立て



警告： 本製品を組み立てる前に、安全に関する章を読んで理解してください。

ガイドバーとソーチェンの組み立て方法

1. 誤って始動しないようにするために、組み立て時はスパークプラグからスパークプラグキャップを外します。(図 39)(図 40)
2. バーナットとクラッチカバーを取り外します。輸送ガード(A)を取り外します。(図 41)
3. ガイドバーをバーボルトの上に置きます。ガイドバーを最後部の位置まで移動します。
4. チェンソー用保護グローブを着用します。
5. ソーチェンをドライブスプロケットの上まで持ち上げて、ガイドバーの溝にはめます。ガイドバーの上端から装着作業を始めてください。(図 42)
6. カッターリンクの刃がガイドバーの上側で前向きになっていることを確認します。

7. クラッチカバーを組み立てて、チェン調整ピンをガイドバーの穴に通します。
8. ソーチェンのドライプリングがドライブスプロケットに正しく取り付けられていることを確認します。ソーチェンが正しくガイドバーの溝にはまっていることも確認します。
9. 指でガイドバーのナットを締めます。
10. コンビレンチを使ってソーチェンの張り調整ネジを時計回りに回し、チェンを締めます。ソーチェンがガイドバーの下に垂れ下がらなくなるまで、ただし、手で簡単に回すことができる程度に締めます。(図 43) および(図 44)
11. ガイドバーの端を持ち上げて、コンビレンチを使用してバーナットを締めます。(図 45)
 - 新しいソーチェンを組み立てた後、そのソーチェンを慣らし運転するまでチェンの張りを頻繁に点検してください。
 - チェンの張りは定期的に点検してください。適切なチェンの張りにより、良好な切削性能と長寿命が得られます。

操作



警告： 本製品を操作する前に、安全に関する章を読んで理解してください。

燃料を使用するには



注意： 本製品は 2 サイクルエンジンを備えています。ガソリンと 2 サイクルエンジンオイルの混合物を使用してください。混合物には正しい量のオイルを使用してください。ガソリンとオイルの割合を間違えると、エンジンが損傷する場合があります。

の燃料混合物は作らないでください。燃料混合比 446 ページを参照してください。

2. ガソリンの半量を、逆流防止バルブ付きの清潔な燃料容器に加ええます。



注意： エタノール濃度が 10 % (E10) を超えるガソリンは使用しないでください。本製品が損傷する場合があります。



注意： オクタン価が 90 RON (87 AKI) 未満のガソリンは使用しないでください。本製品が損傷する場合があります。

燃料混合比

ガソリンとエンジンオイルの燃料混合比は、50:1 (2%) です。

ガソリン	2 サイクルエンジンオイル
1 米ガロン	77 ml (2.6 オンス)
1 英ガロン	95 ml (3.2 オンス)
5 l	100 ml (3.4 オンス)

注記： 本製品を継続的に高速なエンジン速度で使用することが頻繁な場合は、オクタン価の高いガソリンを使用してください。

3. 2 サイクルエンジンオイルの全量を燃料容器に加ええます。



注意： 常に、高品質の空冷式 2 サイクルエンジンオイルを使用してください。それ以外のオイルを使用すると、本製品が損傷する場合があります。

燃料混合物を作るには

1. ガソリンとエンジンオイルの適切な量を決定します (混合比 50:1)。使い切るのに 30 日以上かかる量

4. 燃料混合物を振って混ぜ合わせます。
5. ガソリンの残りの量を燃料容器に加ええます。
6. 燃料混合物を振って混ぜ合わせます。
7. 本製品の燃料タンクに燃料混合物を充填します。燃料混合比 446 ページを参照してください。

燃料タンクを充填するには

1. 燃料混合物が適切であること、および燃料混合物が漏れ防止バルブ付きの燃料容器に入っていることを確認します。
2. 容器に燃料が付着している場合は、不要な燃料を除去し、容器を乾かします。
3. 燃料タンクキャップ周辺が汚れていないことを確認します。
4. 燃料タンクキャップを取り外します。(図 46)
5. 燃料容器を振ってから、燃料タンクに燃料混合物を入れます。
6. 燃料タンクキャップを元に戻します。

ソーチェンに注油するには

本製品には、自動潤滑システムが搭載されています。適切なチェンオイルのみを使用し、指示に従ってください。

1. 植物油をベースにしたチェンオイルが標準的なチェンオイルを使用します。
2. ソーチェンオイルタンクのキャップ周辺が汚れていないことを確認します。
3. ソーチェンオイルタンクのキャップを取り外します。
4. 推奨されているソーチェンオイルをソーチェンオイルタンクに充填します。
5. ソーチェンオイルタンクのキャップを元に戻します。

エンジンを始動する前に

- 部品に欠落、損傷、緩み、摩耗がないかどうかを点検します。
- ナット、ネジ、およびボルトを点検します。
- エアフィルターを点検します。
- スロットルトリガーロックとスロットルコントロールが正しく動作するかどうかを点検します。
- ストップスイッチが正しく動作するかどうかを点検します。
- 本製品に燃料漏れがないかどうかを点検します。
- ソーチェンの目立てと張りを点検します。

冷機エンジンを始動するには

1. フロントハンドガードを前方に動かして、チェンブレイキをはめます。(図 47)
2. チョークコントロールを引き出します。
3. プライマバルブを6回押します。(図 48)
4. 左手で本製品の本体を地面に固定します。本製品の上に乗らないでください。軽い抵抗を感じるまで、スターターロープハンドルをゆっくりと引きます。次に、スターターロープハンドルを強く引きます。(図 49)

注記：エンジン始動時にはスロットルトリガーを引かないでください。

5. エンジンが始動するか、始動しそうになるまで、スターターロープハンドルを引きます(最大3回)。エンジンが始動するか、始動しそうになったら、チョークコントロールを押し下げます。(図 50)



注意：エンジンが停止するまで、スターターロープを引かないでください。スターターロープは完全に引くまで放さしないでください。スターターロープをゆっくりと放します。エンジンの損傷を防止するために、これらの手順に従ってください。

6. エンジンが始動するまで引き続けま。始動後60秒間待ってから、スロットルトリガーを引きます。
7. フロントハンドガードをフロントハンドルの方に動かして、チェンブレイキを解除します。
8. 右手でリヤハンドルを持ち、左手でフロントハンドルを持ちます。
9. 本製品を使用します。

暖機エンジンを始動するには

1. フロントハンドガードを前方に動かして、チェンブレイキをはめます。(図 51)
2. チョークコントロールを引き出します。
3. プライマバルブを6回押します。(図 52)
4. チョークコントロールを押し下げます。(図 53)
5. 左手で本製品の本体を地面に固定します。本製品の上に乗らないでください。軽い抵抗を感じるまで、スターターロープハンドルをゆっくりと引きます。次に、スターターロープハンドルを強く引きます。(図 54)



注意：エンジンが停止するまでスターターロープは引かないでください。スターターロープは完全に引くまで放さしないでください。スターターロープをゆっくりと放します。エンジンの損傷を防止するために、これらの手順に従ってください。

注記：エンジン始動時にはスロットルトリガーを引かないでください。

6. エンジンが始動するか、始動しそうになるまで、スターターロープハンドルを引きます(最大3回)。始動後60秒間待ってから、スロットルトリガーを引きます。
7. フロントハンドガードを後方の、フロントハンドルの方向に引っ張ってチェンブレイキを解除します。
8. 右手でリヤハンドルを持ち、左手でフロントハンドルを持ちます。
9. 本製品を使用します。

燃料が過熱しているときにエンジンを始動するには

本製品が始動しない場合、燃料が過熱している可能性があります。

注記：必ず新しい燃料を使用し、温暖な気候での稼働時間を減らしてください。

1. 直射日光の当たらない、涼しい場所に置きます。
2. 20分以上冷却します。
3. プライマバルブを10～15秒間繰り返し押しします。
4. 冷機エンジンの始動手順に従います。冷機エンジンを始動するには447ページを参照してください。

停止方法

- 停止スイッチを押してエンジンを停止します。

注記：停止スイッチが自動的に元の位置に戻ります。

スパイクバンパーを使用するには

スパイクバンパーは切断時にキックバックを防ぎ、木を保持します。スパイクバンパーは、エンジン本体とガイドバーの間にあるピボットです。

1. スパイクバンパーの下端を正しい幅の位置に置きます。
2. 右手でリヤハンドルを持ち上げながら、左手でフロントハンドルを押します。
3. 正しい幅になるまで切断します。

注記：つるは同じ厚さにする必要があります。

4. 直径の半分以上に切断した後、伐採クサビを切断部に入れます。

伐倒するには

1. 木からゴミ、石、はがれた樹皮、くぎ、ステップル、ワイヤーを取り除きます。
2. 伐倒方向に対して垂直に、木の直径の1/3の切欠部を作ります。(図55)
3. 下側に水平方向の切欠部を作ります。これにより、2つ目の切欠部が作られたときに、ソーチェンやガイドバーが挟まれないようにすることができます。
4. 追い口(X)を水平切欠部よりも50mm(2インチ)以上高くします。追い口と水平切欠部が平行に

なるように保ち、つるの部分に十分に残します。つるから切断しないようにしてください。つるの部分は、木がねじれたり意図しない方向に倒れたりするのを防ぎます。(図56)および(図57)

5. 追い口がつるに近づくと、木が倒れ始めます。木が正しい方向に倒れることができるようにします。木が後方に揺れたり、ソーチェンを挟んだりしてはいけないことを確認します。これを防止するために、追い口が完了する前に切断を止めます。木、プラスチック、またはアルミニウム製のクサビを使用して切断部を開き、伐倒線に沿って木が倒れるようにします。(図58)
6. 木が倒れ始めたら、切断部から本製品を取り除きます。モーターを停止し、本製品を置き、予定した避難経路に従います。上から大きな枝が落下してこないか注意し、足場を確認してください。(図59)

枝を切断するには

1. 大きな枝を使用して丸太を地面から浮かせます。
2. 小さな枝を一度に切断して取り除きます。(図60)
3. ソーチェンやガイドバーが挟まれないようにするために、下から上に張力がかかっている枝を切断します。

丸太を切断するには



注意：ソーチェンが地面に触れないようにします。

- 丸太全体が接地している場合は、丸太の上部から切断します(オーバーバックング)。(図61)
- 丸太が一端のみで支えられている場合は、丸太の下から直径の1/3を切断します(アンダーバックング)。
- 丸太が両端で支えられている場合は、上から直径の1/3を切断します。最初の切断部に達するまで丸太の下部2/3をアンダーバックングで切断を完了します。(図62)
- 斜面で丸太を切断する場合は、丸太よりも高い側に常にどまって作業します。本製品のコントロールを完全に維持しながら、丸太を切断していきます。次に、リヤハンドルとフロントハンドルをしっかり握りながら、切断部の端付近で切断圧力を解放します。(図63)

メンテナンス



警告：本製品を清掃、修理またはメンテナンスする前に、安全に関する章を読んで理解してください。

メンテナンススケジュール

メンテナンススケジュールに従うようにしてください。メンテナンス間隔は、毎日の本製品の使用から計算されます。製品を毎日使用しない場合、メンテナンス間隔は異なります。本取扱説明書に記載されているメンテナンス作業のみを行ってください。本取扱説明書に記載され

ていない他のメンテナンス作業については、認定サービスセンターにお問い合わせください。

毎日行うメンテナンス

- ・ 外面を清掃します。
- ・ トリガーロックとトリガーが正常に動作することを確認します。
- ・ チェンブレイキを清掃し、チェンブレイキが正常に動作することを確認します。
- ・ チェンキャッチャーに損傷がないかどうかを点検します。損傷している場合は、チェンキャッチャーを交換します。
- ・ より均一に摩耗するように毎日、ガイドバーを回転させます。
- ・ ガイドバーの潤滑孔が詰まっていることを確認します。
- ・ スプロケットカバーの下から、切り屑などのごみを取り除きます。
- ・ ガイドバーの溝を清掃します。
(図 64)
- ・ ガイドバーとソーチェンに十分なオイルが注油されていることを確認します。
- ・ ソーチェンの点検：
 - ・ リベットとリンクにヒビが入っていないか。
 - ・ リベットやリンクが異常に摩耗していないか。
 - ・ 張りが適切か。
 - ・ チェンドライブリンクにバリがないか。

必要に応じて、ソーチェンを交換します。

- ・ ソーチェンを目立てします。ソーチェンを目立てするには 450 ページを参照してください。
- ・ ドライブスプロケットに過度の摩耗がないかどうかを点検し、必要に応じて交換します。
(図 65)
- ・ モーターハウジングのエアインテークを掃除します。
- ・ ナットとネジが確実に締められていることを確認します。
- ・ 電源スイッチが正常に機能することを確認します。

毎週行うメンテナンス

- ・ 冷却システムが正常に機能することを確認します。
- ・ スターター、スターターロープ、およびリターンスプリングが正常に機能することを確認します。
- ・ 防振装置に損傷がないことを確認します。

(図 66)

- ・ ガイドバーの縁からすべてのバリをヤスリで削り取ります。
- ・ マフラーのスパークアレスタースクリーンを清掃するか交換します。

(図 67)

- ・ キャブレターの外面とその周辺を清掃します。
- ・ エアフィルターを清掃します。エアフィルターが損傷しているか汚れがひどくて完全に清掃できない場合は、新しいエアフィルターを取り付けてください

い。詳細については、エアフィルターのクリーニング方法 450 ページを参照してください。

毎月行うメンテナンス

- ・ チェンブレイキのブレイキバンドに摩耗がないかどうかを点検します。ブレイキバンドの最も摩耗した箇所の厚さが 0.6 mm (0.024 インチ) 未満の場合は交換します。

(図 68)

- ・ クラッチセンター、クラッチドラム、およびクラッチスプリングに摩耗がないか点検します。
- ・ スパークプラグを清掃します。電極間隔が正しいことを確認します。

(図 69)

- ・ キャブレターの外面とその周辺を清掃します。
- ・ 燃料フィルターと燃料ホースを点検します。(必要に応じて交換する)。
- ・ 燃料タンクを空にします。
- ・ オイルタンクを空にします。
- ・ すべてのコードと接続部を点検します。

毎年行うメンテナンス

- ・ スパークプラグを点検します。
- ・ キャブレターの外面とその周辺を清掃します。
- ・ 冷却システムを洗浄します。
- ・ スパークアレスタースクリーンを点検します。
- ・ 燃料フィルターを交換します。
- ・ 燃料ホースに損傷がないかどうかを点検します。
- ・ すべてのコードと接続部を点検します。

不定期で行うメンテナンス

- ・ 作業の時間が 50 時間になった後、認定サービスセンターにマフラーの修理または交換を依頼します。
- ・ 次の場合は、スパークプラグに対するメンテナンスを行います。
 - ・ エンジンの出力レベルが低下したとき。
 - ・ エンジンが始動しにくいとき。
 - ・ エンジンがアイドリング速度で適切に動作しないとき。
- ・ 給油のたびにソーチェンの潤滑状態を点検します。ソーチェンの潤滑状態をチェックするには 451 ページを参照してください。

アイドリング速度を調整するには

アイドリング速度を調整する前に、エアフィルターに汚れがなく、エアフィルターカバーが取り付けられていることを確認します。

1. アイドリング調節ネジ (T マークが付いています) をソーチェンが回り始めるまで時計回りに回します。
2. アイドリング調節ネジ (T マークが付いています) をソーチェンが動かなくなるまで反時計回りに回します。

3. アイドリング速度は、ソーチェンが回転し始める速度を下回る必要があります。アイドリング速度が正しくなると、エンジンが全方向にスムーズに動作します。

スパークアレスタースクリーンに対するメンテナンスを行うには

- ワイヤブラシを使用して、スパークアレスタースクリーンを清掃します。(図 70)

スパークプラグに対するメンテナンスを行うには



注意：推奨されているスパークプラグを使用します。交換部品がメーカー提供の部品と同じであることを確認します。誤ったスパークプラグを使用すると、本製品が損傷することがあります。

1. 本製品が始動しにくい、または動作しにくい場合は、スパークプラグに異物が無いかどうかを点検します。スパークプラグ電極に異物が付着するリスクを下げるには、
 - a) アイドリング速度が正しく調整されていることを確認します。
 - b) 適切な燃料混合物を使用していることを確認します。
 - c) エアフィルターに汚れがないことを確認します。
2. スパークプラグを清掃します (スパークプラグが汚れている場合)。電極間隔が正しいことを確認します。(図 71)
3. 必要に応じて、スパークプラグを交換します。

エアフィルターのクリーニング方法

1. エアフィルターカバーを取り外して、エアフィルターを取り出します。(図 72)
2. 暖かい石鹸水でエアフィルターを洗浄します。エアフィルターは乾燥させてから取り付けます。
3. 十分に洗浄しても汚れが落ちない場合は、エアフィルターを交換します。破損したエアフィルターは必ず交換してください。

ソーチェンを目立てするには

カッター

ソーチェンの刃部はカッターと呼ばれ、刃 (A) とデブスゲージ (B) で構成されています。カッターの切削の深さは、この 2 つの高さの差、デブスゲージの設定 (C) によって決まります。

(図 73)

刃を目立てするときは、下記の 4 つの重要な要素に注意してください。

- 目立て角度。

(図 74)

- 切削角度。

(図 75)

- ヤスリの位置。

(図 76)

- 丸ヤスリの直径。

(図 77)

刃を目立てするには

丸ヤスリと目立てゲージを使用して刃を目立てします。お使いの製品に取り付けられているソーチェンに対して推奨されているヤスリとゲージの寸法については、*ソーチェンの目立てとソーチェンの組み合わせ 453 ページ*を参照してください。

(図 78)

1. ソーチェンに適切な張りがあることを確認します。適切な張りがないチェンは片方に動き、正しく目立てされません。
2. 片方のすべての刃にヤスリをかけます。次に、内側から刃にヤスリをかけ、戻りストロークの圧力を下げます。
3. 本製品を反対側に向け、刃にヤスリをかけます。
4. ヤスリを使用して、すべての刃が同じ長さになるようにします。刃の長さが 4 mm (5/32 インチ) まで減っている場合は、摩耗したソーチェンを交換します。

デブスゲージの設定を調整するには

デブスゲージ設定を調整する前に、刃を目立てします。*刃を目立てするには 450 ページ*を参照してください。刃 (A) の目立てを行うと、デブスゲージ設定 (C) が低くなります。最適な切削性能を維持するには、デブスゲージ (B) にヤスリをかけて、推奨のデブスゲージ設定を実現する必要があります。お使いのチェンに適したデブスゲージ設定を確認するには、*ソーチェンの目立てとソーチェンの組み合わせ 453 ページ*を参照してください。

(図 79)

(図 80)

注記：これは、刃が著しく短くなっていない場合に限ります。

平ヤスリとデブスゲージツールを使用して、デブスゲージを調整します。

1. デブスゲージツールをソーチェンの上に置きます。デブスゲージツールの使用方法に関する詳細は、デブスゲージツールのパッケージに記載されています。
2. 平ヤスリを使用してデブスゲージツールから突き出たデブスゲージ先端にヤスリをかけます。デブスゲージツールに沿ってヤスリを引くときに抵抗を感じなくなったら、デブスゲージの設定は正しく調整されています。

ソーチェンの張りを調整するには

注記：慣らし運転中は、新しいソーチェンの張りを頻繁に点検してください。

1. スプロケットカバーを保持するガイドバーナットを緩めます。コンビレンチを使用してください。(図 81)
2. ガイドバーナットを手でできるだけきつく締めます。
3. ガイドバーの上部を引き上げ、チェンの張り調整ネジを締めることでソーチェンを伸ばします。コンビレンチを使用してください。ガイドバーの下部からソーチェンが垂れ下がらないように、ソーチェンを締め込みます。(図 82)
4. コンビレンチを使用してガイドバーナットを締め込み、同時にガイドバーの上部を持ち上げます。(図 83)
5. ソーチェンを手で自由に回せることと、ソーチェンがたわんでいないことを確認します。(図 84)

カッティング装置に注油するには

ソーチェンの潤滑状態をチェックするには

給油のたびにチェンソーの潤滑状態を点検します。

1. 本製品を始動し、3/4 の速度で運転します。約 20 cm (8 インチ) 離れたところにある表面の色が薄い物にガイドバーのノーズを向けます。
2. 約 1 分運転すると、表面にオイルの線が表れます。
3. 1 分経過してもオイルの線が見えない場合は、ガイドバーのオイル孔を清掃します。ガイドバーの端にある溝を清掃します。ガイドバーのノーズスプロケットが自由に回転すること、および注油孔が詰まっていないことを確認します。ノーズスプロケットを清掃して注油します。
4. 本製品を始動し、3/4 の速度で運転します。約 20 cm (8 インチ) 離れたところにある表面の色が薄い物にバーのノーズを向けます。
5. 約 1 分運転すると、表面にオイルの線が表れます。
6. 1 分経過してもオイルの線が見えない場合は、認可された販売店にお問い合わせください。

搬送

- 搬送前に、燃料タンクとチェンオイルタンクを空にしてください。使用済み液体は適切に廃棄してください。
- 搬送中は、カッティング装置にガイドバーカバーを取り付けてください。これにより、鋭利なソーチェンに誤って触れることを防止できます。運転中では

ないソーチェンに触れると、怪我をするおそれがあります。

- 搬送前に、スパークプラグからスパークプラグキャップを外してチェンブレーキをはめてください。
- 搬送中は、本製品が動かないようにしてください。

保管

- 運転中でないときは、本製品を安全に保管してください。本製品からの漏れや排気ガスは、電気機器、電気芝刈り機、リレー / スイッチ、ボイラーなどから発した火花や裸火に接触することがあります。
- 燃料は必ず、認可された容器に保管してください。
- 本製品を長期間保管するときは、燃料タンクとチェンオイルタンクを空にしてください。使用済み液体は適切に廃棄してください。

- 保管中は、ガイドバーにガイドバーカバーを取り付けてください。これにより、鋭利なソーチェンに誤って触れることを防止できます。運転中でないソーチェンに触れると、重傷を負うおそれがあります。
- 保管前に、スパークプラグからスパークプラグキャップを外してチェンブレーキをはめてください。

主要諸元

	単位	130 (H13038HV)	135 Mark II (H13038HV)
エンジン仕様			
排気量	cm ³	38	38
スパークプラグ	—	NGK BPMR 7A	NGK BPMR 7A

	単位	130 (H13038HV)	135 Mark II (H13038HV)
電極ギャップ	mm (インチ)	0.5 (0.02)	0.5 (0.02)
燃料タンク容量	cm ³	350	350
アイドリング速度	min ⁻¹	2800-3200	2800-3200
9000 min ⁻¹ における出力	kW	1.5	1.6
排出耐久時間	h	125	125
騒音と振動データ			
左ハンドルの等価振動レベル (ahv, eq) ¹⁵¹	m/s ²	3.72	3.72
右ハンドルの等価振動レベル (ahv, eq) ¹⁵²	m/s ²	5.5	5.5
保証音響レベル (L _{WA}) ¹⁵³	dB (A)	116	116
実測音響レベル ¹⁵⁴	dB (A)	114	114
使用者の耳における騒音レベル ¹⁵⁵	dB (A)	102	102
製品の寸法			
重量 (カutting装置を除く)	kg	4.68 (10.3)	4.68 (10.3)
オイルタンク容量	cm ³	260	260
燃料および潤滑システム			
9000 min ⁻¹ におけるオイルポンプ能力	ml/分	9	9
オイルポンプの型式	—	全自動	全自動
ソーチェンとガイドバー			
ガイドバーの標準長	cm (インチ)	35 ~ 40 (14~16)	35 ~ 40 (14~16)
ガイドバーの推奨長	cm (インチ)	35 ~ 40 (14~16)	35 ~ 40 (14~16)
切断できる長さ	cm (インチ)	33 ~ 38 (13 ~ 15)	33 ~ 38 (13 ~ 15)
最大ソーチェン速度	m/s	22.3	22.3
ソーチェンのピッチ	mm (インチ)	9.52 (3/8)	9.52 (3/8)
ドライブリンク (ゲージ) の厚さ	mm (インチ)	1.3 (0.050)	1.3 (0.050)
ドライブスプロケットのタイプ	—	スパー	スパー

¹⁵¹ 等価振動レベルは、さまざまな作動状態における振動レベルの時間加重エネルギーとして計算されます。報告データによれば、等価振動レベルの一般的な統計上のばらつき (標準偏差) は 1.5 m/s² です。

¹⁵² 等価振動レベルは、さまざまな作動状態における振動レベルの時間加重エネルギーとして計算されます。報告データによれば、等価振動レベルの一般的な統計上のばらつき (標準偏差) は 1.5 m/s² です。

¹⁵³ 環境における騒音排出は、音響パワー (L_{WA}) として測定。

¹⁵⁴ 環境における騒音排出は、音響パワー (L_{WA}) として測定。

¹⁵⁵ 等価騒音レベルは、さまざまな作動状態における騒音レベルの時間加重エネルギーとして計算されます。等価騒音レベルの一般的な統計上のばらつきは、2.5 dB (A) の標準偏差となります。

	単位	130 (H13038HV)	135 Mark II (H13038HV)
ドライブsproケットの歯の数	—	6	6

アクセサリ

ガイドバーとソーチェンの組み合わせ

ガイドバー				ソーチェン	
長さ	ピッチ	ゲージ	最大ノーズ半径	型式	ドライブリンク数
14 inch	3/8 inch	0.050 inch	7T	ハスクバーナ H37	52
16 inch				ハスクバーナ S93G	56

ソーチェンの目立てとソーチェンの組み合わせ

チェンの種類	丸ヤスリのサイズ	サイドプレートの角度	上部プレートの角度	ヤスリゲージの角度	デブスゲージの設定	デブスゲージの部品番号	ヤスリゲージの部品番号
H37、S93G	5/32 インチ 4.0 mm	80°	30°	0°	0.025/0.65	5056981-03	5052437-01

EC 適合宣言の内容

SE 561 82 Huskvarna, SWEDEN に所在する Husqvarna AB は、以下の製品

説明	ガソリンチェンソー
ブランド	ハスクバーナ
プラットフォーム / タイプ / モデル	プラットフォーム H13038HV、代表モデル 130、135 Mark II
バッチ	2018 年以降の製造番号

が以下の EU 指令および規制を完全に順守し、

指令 / 規制	説明
2006/42/EC	「機械類に関する」

指令 / 規制	説明
2014/30/EU	「電磁環境適合性に関する」
2000/14/EC	「屋外の騒音に関する」
2011/65/EU	「特定有害物質の使用制限」

次の整合規格および / または技術仕様が適用されていることを当社単独の責任で宣言します。EN ISO 12100、EN ISO 11681-1、CISPR 12、ISO 14982

指令 2000/14 / EC の付録 V に従って、宣言した音響値はこの取扱説明書の主要諸元のセクションと署名済み EU 適合宣言に記載されています。

Tillystraße 2 - 90431 Nürnberg, Germany に所在する機械の公認機関 (0197 で公認) である TÜV Rheinland LGA Products GmbH は、2006/42/EC の条例 12、項目 3b に基づいて EC タイプコントロールテストを実施しました。

付録 IX に従った署名済み適合宣言に記載されているタイプコントロールテストの証明書は、本製品に明記されているように、すべての製造場所と製造国に適用されません。

本センサーは、EC タイプコントロール適格のサンプル品に相当するものです。



www.husqvarna.com

Original instructions
Originalanweisungen
Instructions d'origine
Instrucciones originales
Istruzioni originali
Originele instructies
Bruksanvisning i original
Originale instruksjoner
Originale instruktioner
Alkuperäiset ohjeet
Instruções originais
Αρχικές οδηγίες
Původní pokyny
Originalne upute
Izvirna navodila
Oryginalne instrukcje

Põvodné pokyny
Eredeti útmutatás
Оригинальные инструкции
Originalaajuhend
Originalios instrukcijos
Lietošanas pamācība
Оригинални инструкции
Instrucțiuni inițiale
Orijinal talimatlar
Оригинальні інструкції
Originalna uputstva
Originalna uputstva
Instrucciones originales
Instruções originais
取扱説明書原本