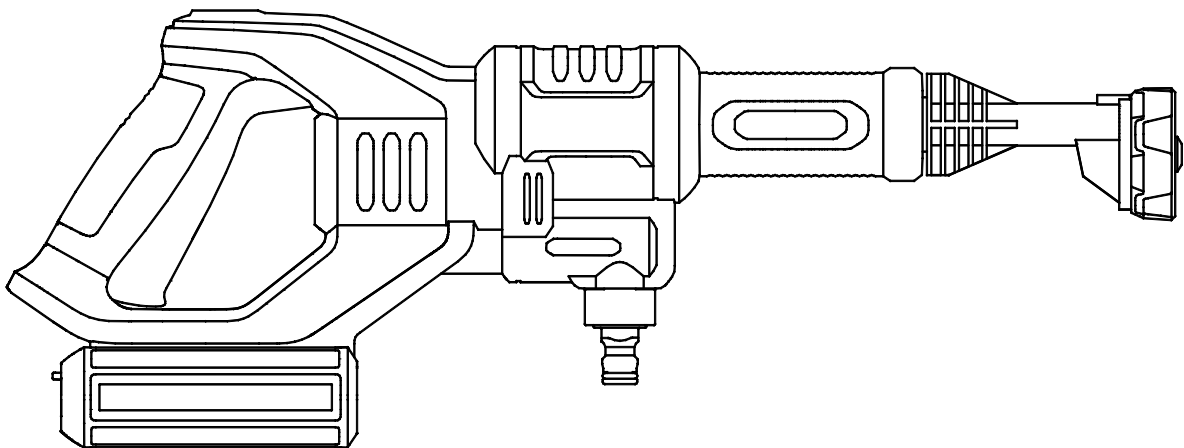


COBRA

MODELS: PW18024V (HPD2301A)

COBRA LI-ION PRESSURE WASHER OWNER'S MANUAL



Cobra Garden Machinery

Henton and Chattell Ltd., London Road, Nottingham NG2 3HW UK

www.cobragarden.co.uk

! WARNING:

For your own safety please read this manual before attempting to operate your new tool. Failure to follow instructions can result in serious personal injury. Spend a few moments to familiarize yourself with your power tool before each use. Keep this manual in a safe place, so that the information is available at all times. If you give the equipment to any other person, hand over these operating instructions and safety regulations as well.

GENERAL SAFETY WARNINGS

Read all safety warnings and instructions. Failure to follow the warnings and instructions may result in electric shock, fire and/or serious injury. Save all warnings and instructions for future reference.

Li-ion Pressure Washer Safety Warning:

1. Improper use of high-pressure nozzles can be dangerous, and the nozzles should not be directly applied to people, the charging device, and the washer itself.
2. Do not use the sprayer against yourself or others to wash clothes or rain boots.
3. Do not direct the flow of water to equipment containing electrical components.
4. To ensure the safety of the appliance, only use accessories supplied or approved by the manufacturer.
5. Disconnect the battery pack after use and before performing user maintenance or cleaning.
6. Keep the appliance out of reach of children when energized.
7. Stop using the appliance if it is accidentally dropped onto the ground and visible damage or leakage.
8. After fitting the battery pack, the appliance should not be left unattended.

Battery Pack Warnings

Always fully charge a new battery before use for the first time.

1. Do not disassemble, open or shred the battery pack.
2. Do not expose the battery pack to heat or flames. Avoid storing in direct sunlight.
3. Do not short-circuit the battery pack. Do leave the battery pack in a box or drawer to avoid shorting them. Avoid potential shorting with metal objects.
4. Use the original battery packaging for storing the battery when not in use.

5. Do not subject the battery pack to mechanical shock.
6. If the battery leaks, do not expose the leaked liquid directly to the skin or eyes. If contact occurs, flush the affected area with plenty of water and seek medical attention.
7. Do not use non-device-specific chargers and battery packs.
8. Pay attention to the (+) and (-) marks on the battery pack and the device to ensure proper use.
9. Keep the battery pack away from children.
10. Purchase a suitable battery pack for your device.
11. Keep the battery pack clean and dry.
12. If there is dust on the connections of the battery pack, wipe it with a clean, dry cloth.
13. The battery pack should be charged before use. Charge the battery with the correct charger and refer to the manufacturer's instructions or the correct instructions in the equipment manual.
14. Do not charge the battery pack for a long time when not in use.
15. After long-term storage, the battery pack should be charged and discharged several times for optimal performance.
16. The best battery performance is achieved at room temperature ($20\text{ °C} \pm 5\text{ °C}$).
17. Save the original manual of the product for future reference.
18. Only use the battery pack with the correct tools.
19. Remove the battery pack as much as possible when not in use.
20. Handle the battery pack correctly.

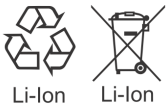
Symbols



Warning



Reading instructions



The battery contains lithium. To protect the environment, the discarded batteries should be sorted and recycled. Do not throw them into the trash can.



Don't throw it into the trash can

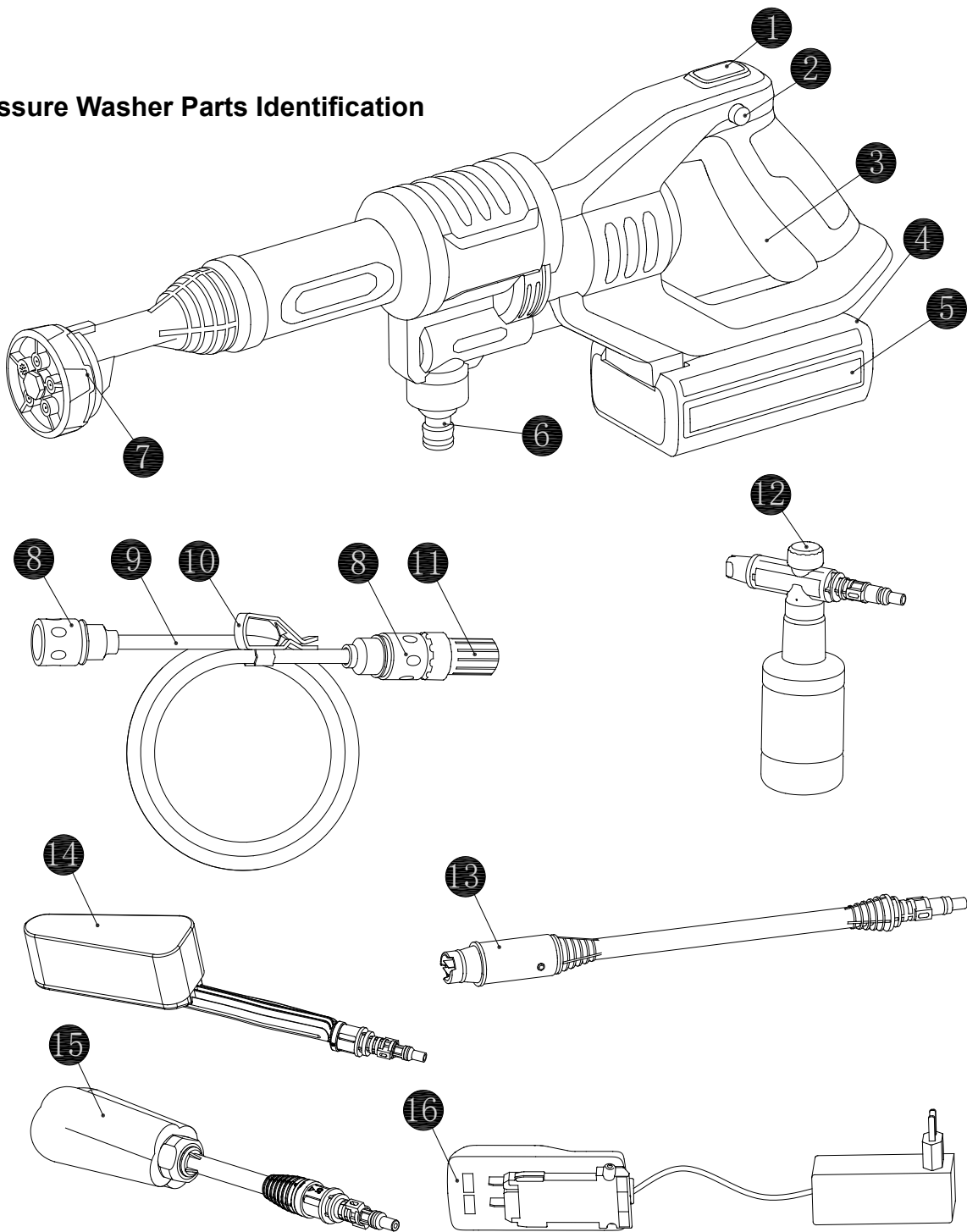


Don't put in water

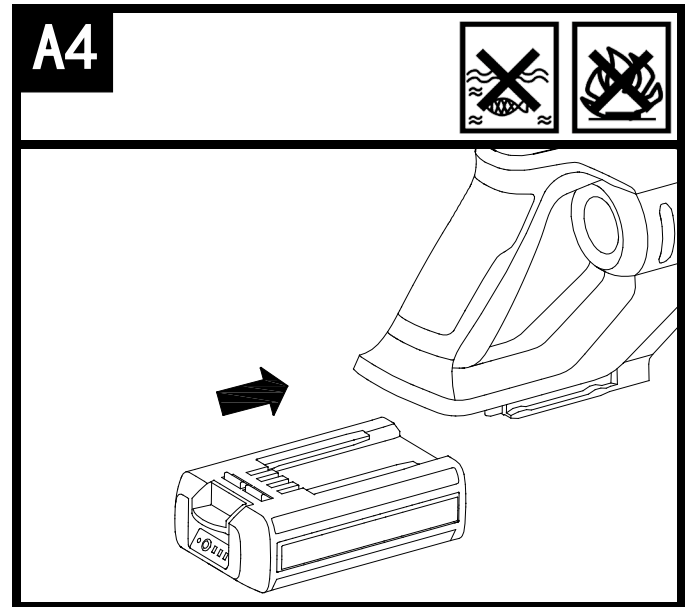
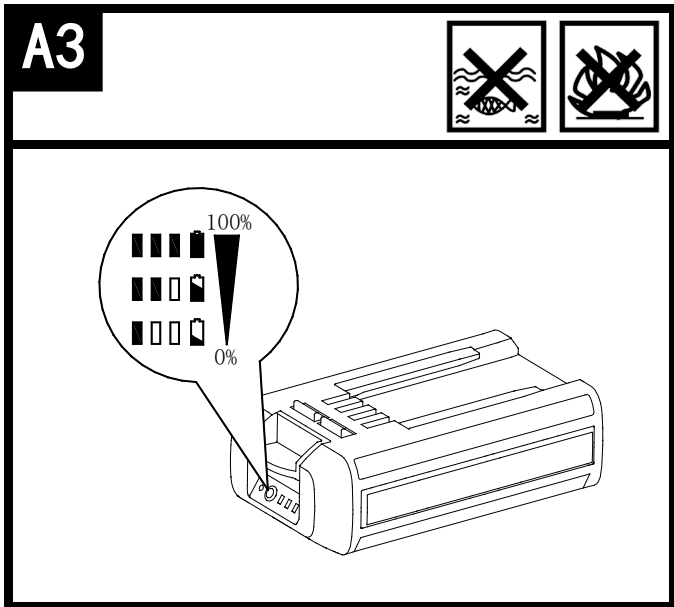
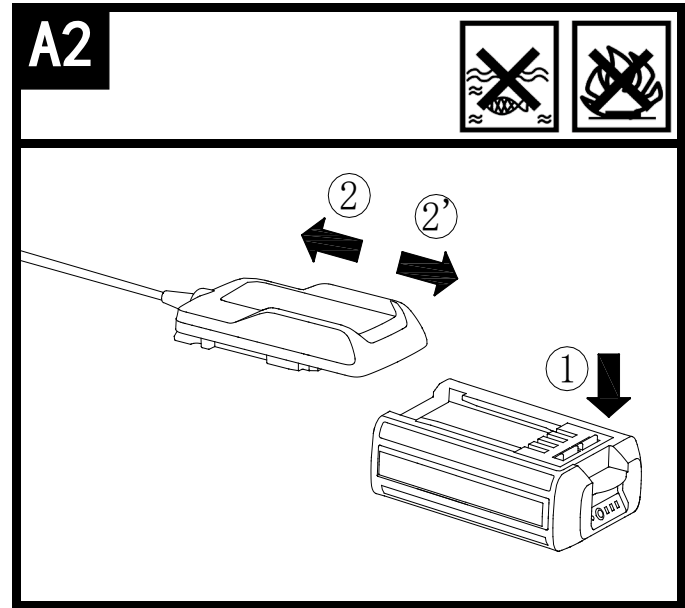
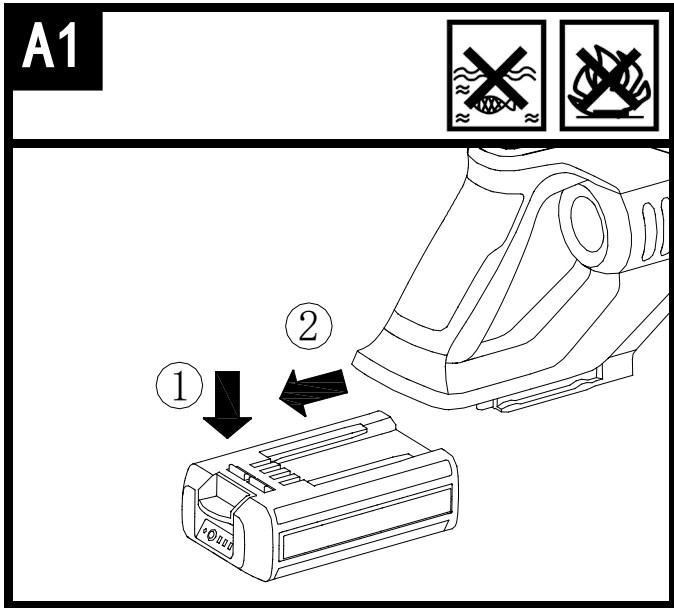


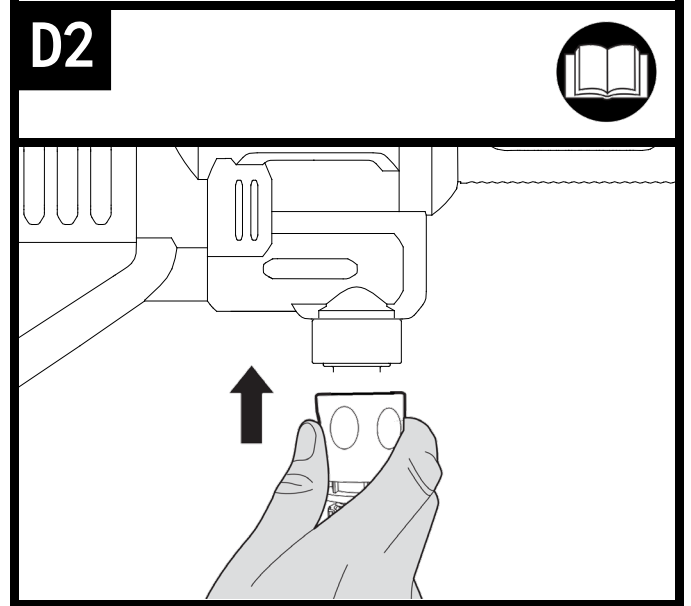
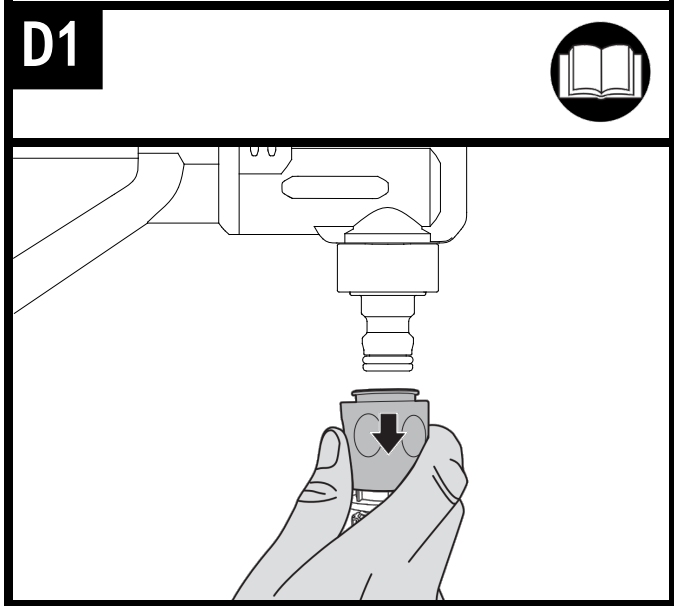
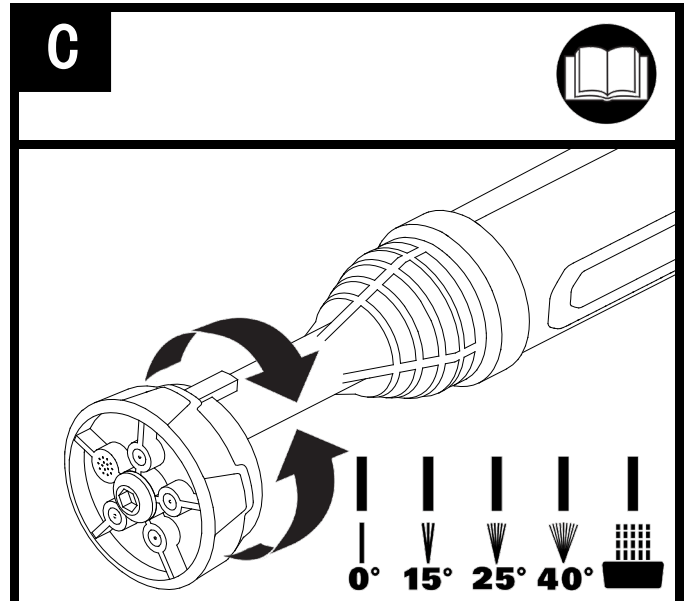
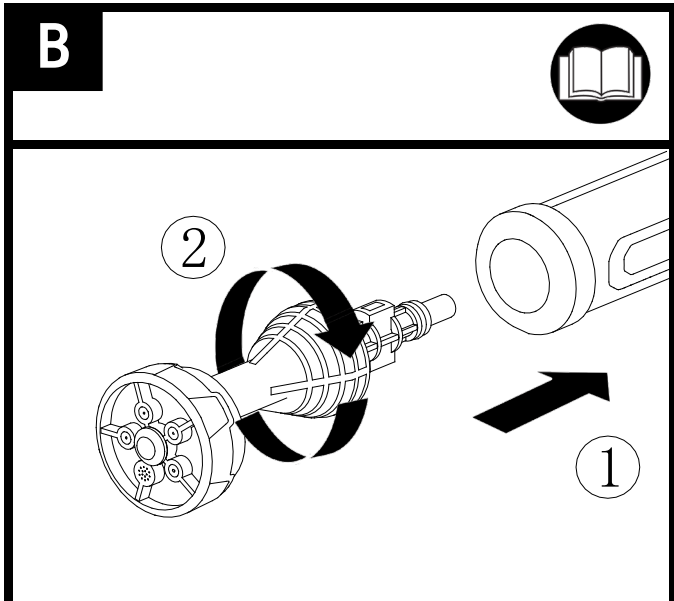
Don't put it in the fire

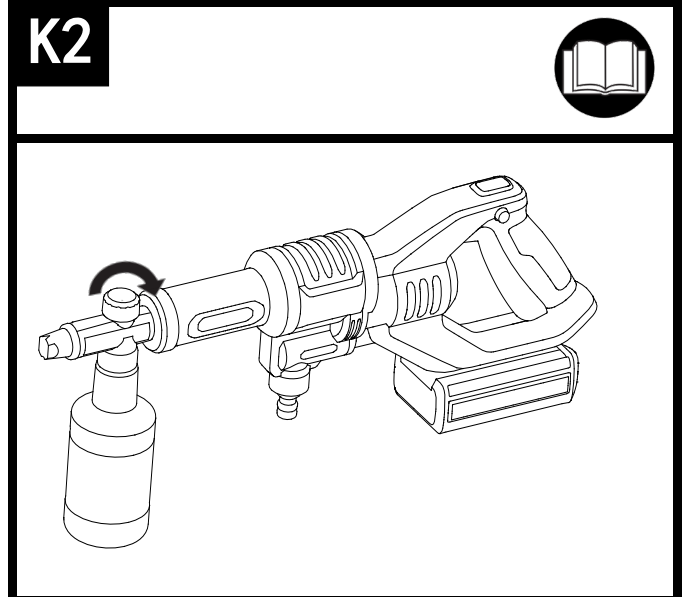
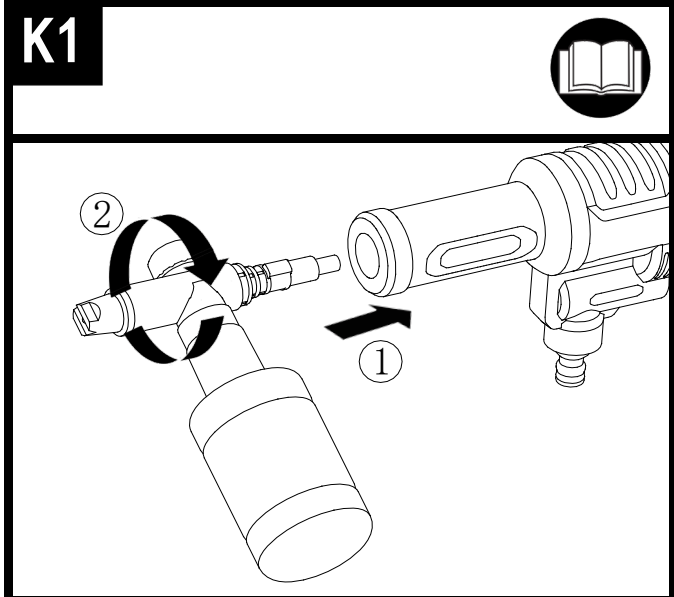
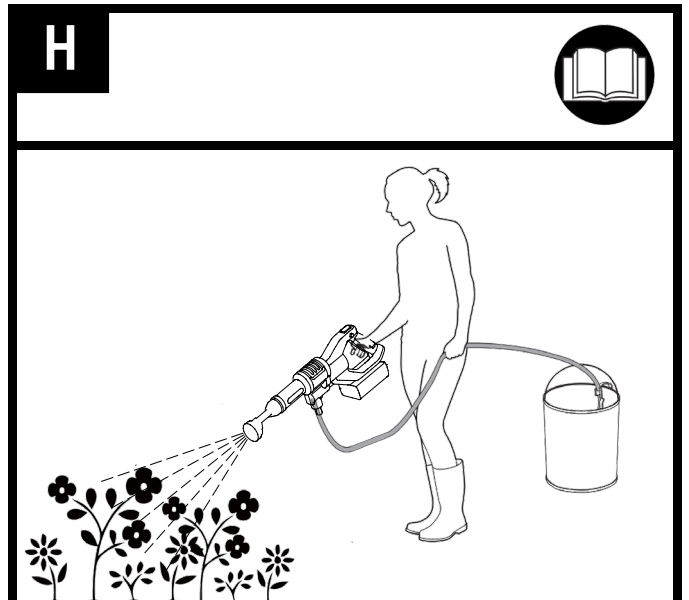
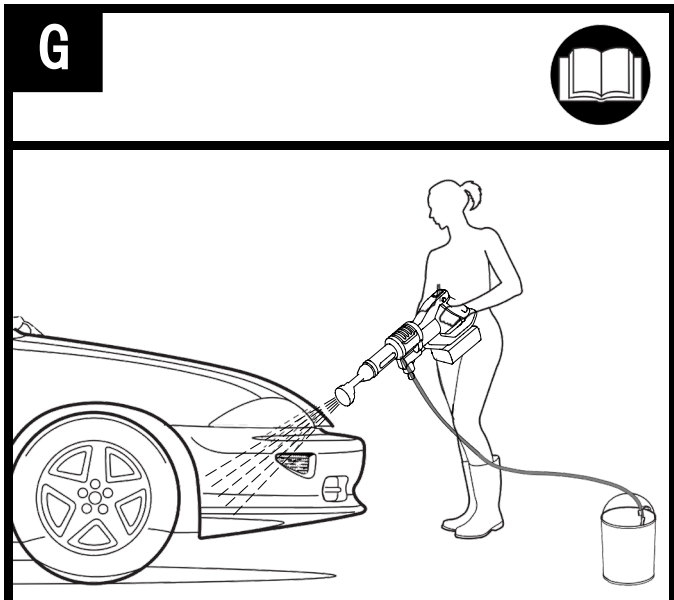
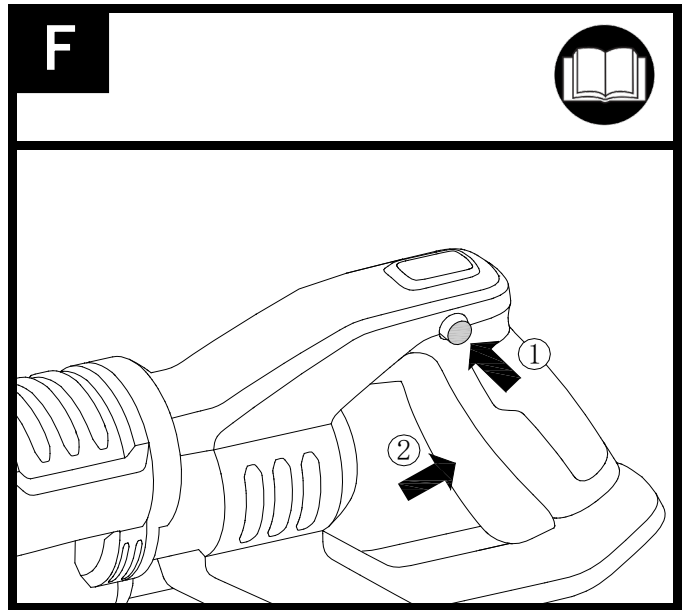
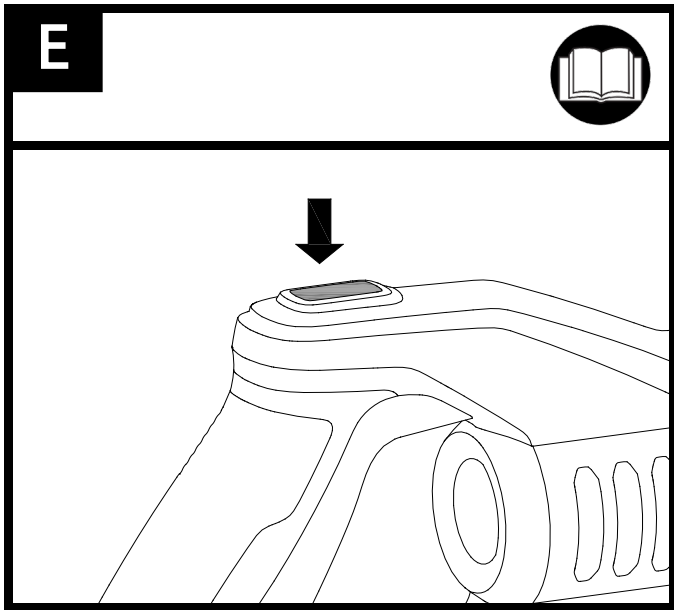
Pressure Washer Parts Identification

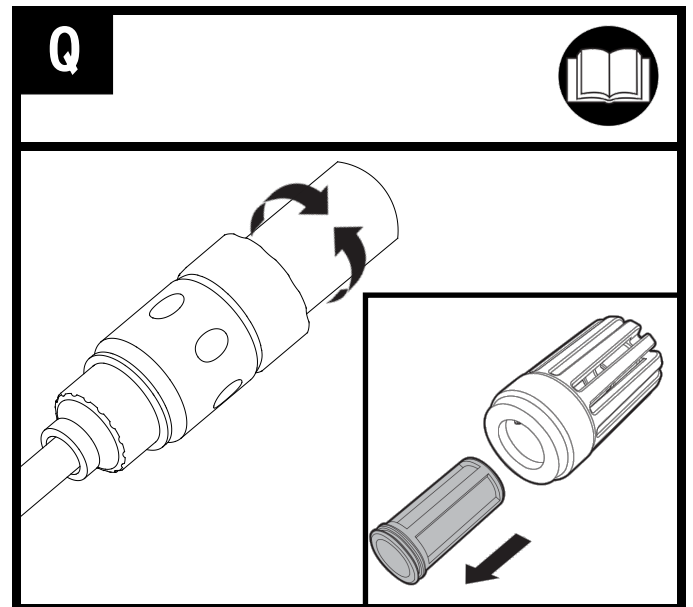
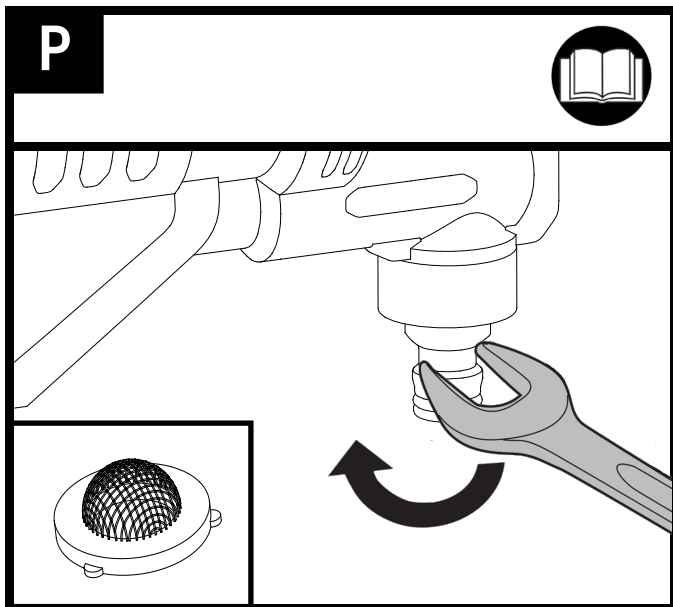
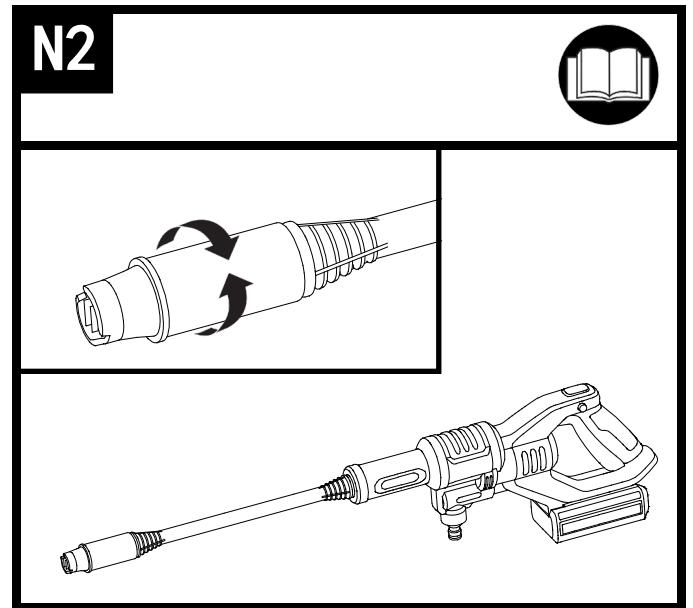
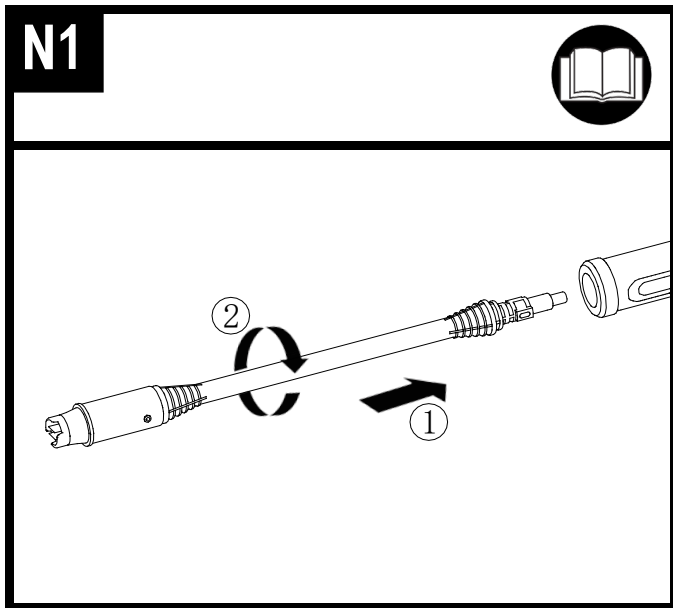


1.	Pressure Selector	8.	Pipe connector
2.	Trigger lock	9.	Inlet pipe
3.	Trigger	10.	Hose clamp
4.	Battery pack lock	11.	Water pipe filter
5.	Battery pack	12.	Soap bottle
6.	Water inlet connector	13.	Long lance
7.	Multi-function nozzle	14.	Long brush
15.	Wheel brush	16.	Charger









Machine Specification

Model	PW18024V (HPD2301A)	
Charger voltage / frequency	100V-240V~50/60Hz	
Rated voltage	24V ---Max	
Rated pressure	High	2.2MPa
	Low	0.8MPa
Rated flow rate (high)	180L/h	
Maximum inlet pressure	0.5MPa	
Water absorption height	最高 1.8m (Max 1.8m)	
Machine weight	1.8kg	

Accessories

	PW18024V (HPD2301A)
Water Inlet pipe	1
Multi-function nozzle	1
Long lance	1
Long brush	1
Wheel brush	1
Storage bag	1
Battery pack	1
Charger	1

We recommend that you purchase accessories from the store where you purchased the product. A detailed description of the accessories can be found in the accessory package. The in-store staff will help and advise you.

Operating Instructions




Intended use: this tool is intended cleaning and watering. Non-commercial use only.



Note: Please read the instructions carefully before using the machine.

Installation and operation

-Set up steps	
Preparatory work	
Remove the battery pack	See Figure A1
Charge the battery pack, see the charger instructions for detailed steps.	See Figure A2
Battery pack battery indicator	See Figure A3
Install the battery pack	See Figure A4
-Fitting accessories	
Install multi-function nozzle Note: After the nozzle is installed, shake the nozzle from side to side to check if it is installed.	See Figure A1B
Connecting the water inlet pipe Note: After the water pipe is installed, gently pull the water pipe to check if it is connected firmly. Reconnect as necessary.	See Figure D
-Operation	
Select working mode The washer has two modes of operation. The higher setting is used for cleaning stubborn dirt, and the energy-saving mode (ECO light) is used to clean dirt that is easier to clean or for simple flushing.	See Figure E
Operating instructions Note: The air in the water pipe must be drained every time you use it. This is done by placing the washer in a position high above the waist (<1.5 m) and then selecting the high mode. The water enters the water pipe and is ejected	See Figure F

from the washer before cleaning begins. The entire process takes about 15 seconds.	
Select the required water spray mode Note: The water spray effect must be selected according to the working conditions. The 0°, 15°, 25° and 40° modes are suitable for cleaning and  are suitable for watering.	See Figure C
 Warning: Do not change the water spray mode whilst spraying	
 Warning: Do not use dirty, muddy or corrosive water.	See Figure G
Watering	See Figure H
Other	
The washer can also be used with other accessories (assembly method the same as illustrated for the multi-function nozzle)	
Connect the soap bottle to spray foam to clear stubborn dirt; adjust the soap spray rate by turning the top knob	See Figure K
Connect long guns to clean dirt such as the ground and walls; adjust the fan spray angle by rotating the tip	See Figure N
Cleaning the inlet connector strainer	See Figure P
Cleaning water pipe filter screen	See Figure Q

Troubleshooting

Symptom	Possible Cause	Solution
ECO light flashes	Low battery	Charge the battery
No power after starting	Low battery	Charge the battery
Unexpected power breaking	High temperature, automatic protection	After the temperature is lowered, turn it on again.
Reduced water flow	Filter blockage leads to poor water intake	Clean the water pipe filter.
	Inlet pipe is bent	Straighten the pipe
	Inlet water is dirty	Replace with clean water
Cannot take up water	Inlet water leak	Tighten the water joint
	Poor connection between water pipe and water inlet connector	Reinstall the inlet and outlet fittings
	The water pipe filter is not fully inserted into the water	Insert the water pipe filter completely into the water
Slow water pumping	Energy saving mode is selected	Switch to high mode
Multi-function nozzle connection leaks	Multi-function nozzle is not installed at right position	The multi-function nozzle is inserted into the bottom and then rotated and fixed
Multi-function nozzle leaks	The nozzle is not rotated to the correct position	Rotate the nozzle to the water mark and to the arrow alignment mark

Repair and maintenance

Always remove the battery pack from the washer before servicing and maintenance.

Check the tool and parts for damage before each use. If the machine or components are found to be damaged, stop using the equipment and contact the supplier or manufacturer for service.

Maintenance of water filter

First remove the transparent cover of the filter, then remove the dirt on the filter, rinse the filter with water, and finally put the transparent cover back.

Cleaning and storage

Remove the washer and inlet pipe before storage, pour off the water remaining inside the tool and accessories; and pour out the remaining water inside the inlet pipe.

Remove the battery pack of the machine and store it separately.

Wipe the body with a soft brush or a clean cloth. Do not use water, solvents or polishes.

Keep the equipment in a safe, dry place away from children. Do not place other items on the machine.

Environmental protection



According to EU directive 2012/19/EU on electric and electronic equipment and its implementation into national law, all electric tools must be separately collected and environmentally friendly recycled. Alternative disposal: If the owner of the power tool does not return the tool to the manufacturer, he is responsible for proper disposal at a designated collection point that prepares the device for recycling according to national recycling laws and regulations.

This does not include accessories and tools without electric or electronic components.

Instructions for Charger (C27-2110)

Product and general safety warnings



Warning! Read all warnings and all instructions. Failure to follow the warnings and instructions below can result in electric shock, fire, and/or serious injury. Save all warnings and instructions for review.

Read the instructions before charging:

- Only use the charger indoors.
- Do not charge non-rechargeable batteries

If the power cord or charger is damaged, do not use. Please contact a Cobra service agent.

Symbol



Warning mark



Reading instructions



For indoors, beware of rain



Double insulation



Positive electrode



Negative electrode

Charger specifications

Rated input voltage	100-240V~50/60Hz
The output voltage	25V
Recharging current	1A
Rechargeable battery type	Lithium battery
Charging time	Approximately 2 hours
Weight	0.24kg

Charging procedure



Note: Please read the instructions carefully before using the machine.



Warning! Only charge the correct batteries with the charger. Do not use other chargers to charge the battery pack or use this charger to charge other battery packs and batteries that cannot be charged. Do not touch any metal objects with the charger or the contacts of the battery pack, as this may cause a short circuit or circuit hazard.

1. Please pay attention before use:

Check that the battery pack is the correct type before fitting to the charger and the tool. Where the battery pack is at low power state recharge it. It must be charged before use.

Press the battery pack green button to display the battery pack power.

2. How to charge - Charging steps

a. Plug the charger into a suitable power outlet.

Insert the battery pack into the charger. The red light indicates that charging is starting.

Once the battery is fully charged, the green light is illuminated. Please unplug the charger.

b. Press the battery compartment latch and remove the battery pack.

Charger Light Indicators

Indicator status	Status description
Red light is always on	Charging
Green light is always on	Finished charging
Flashing red light	Battery failure Check with a Cobra Service centre

Problem solving

Why can't I insert the battery pack into the charger?	a) First check if the charger and battery pack are compatible. b) The battery pack can only be inserted into the charger in one direction. Turn the battery pack until it can be inserted into the hole in the charger. When the red indicator light of the charger lights up, charging starts.
Why is the charging time of the same battery pack long and short?	Charging time is affected by many factors, but this is not a product defect. a) If the battery pack is only partially consumed, it may be fully charged within less than the specified time. b) If the battery pack and ambient temperature are very low, it may take more time to fully charge. c) If the battery pack is very hot, its internal temperature protector will be disconnected to prevent charging. At this time, you must first disconnect the power supply, unplug the battery pack from the charger, and then recharge it after cooling to room temperature.

Warranty

This product is warranted in accordance with legal regulations for a 24 month period effective from the date of purchase by the first user.

This product will not be covered if used in a commercial application.

This warranty covers all material or production failures, it does not include: defects from normal wear and tear, parts such as, bearings, brushes, cables, air cleaning elements, brake pad, clutch disc, tyre, wheel, recoil starter rope, belts, cutter blades, plugs, lubricant oils and grease or accessories. Damage or defects resulting from abuse, accidents or alterations, natural fading of painted or plated surfaces, sheet peeling and other natural deterioration.

Any damage that occurs from the use of non-genuine Cobra parts will not be covered.

We reserve the right to reject any claim where the purchase cannot be verified or when it is clear that the product was not maintained properly. (Clean ventilation slots, carbon brushes and serviced regularly)

Expenses incidental to the warranty claim that are not covered;

-Compensation for loss of time, commercial loss or rental costs of substitute product.

-Costs incurred for transportation to and from the dealership.

Any damage that occurs from the following will not be covered; exposure of the product to smoke and soot, chemical agents, bird droppings or other animal waste, seawater, sea breeze, salt or other environmental phenomena.

Any damage resulting from operating methods other than those indicated in the owner's manual will not be covered.

Your purchase receipt must be kept as proof for date of purchase. Your un-dismantled product must be returned to your dealer in an acceptably clean state, accompanied by your proof of purchase.

Please Register Your Product:

If your dealer did not collect registration information from you, please take a few minutes and register your purchase with Cobra.

You can register by completing and mailing the registration card that should be in the box or by going online to: www.cobragarden.co.uk and clicking on Product Registration.

Before using the product, all operators must read this manual



EC-DECLARATION OF CONFORMITY

We herewith declare,	Cobra Garden Machinery, Henton & Chattell Ltd, London Road, Nottingham NG2 3HW UK
That the following machine complies with the appropriate basic safety and health requirements of the EC Directive based on its design and type, as brought into circulation by us.	
In case of alteration of the machine, not agreed upon by us, this declaration will lose its validity	
Product	Cordless Cleaner / Washer
Machine Type:	PW18024V (HPD2301A)
Rated voltage	24V d.c
Max flow:	3l/min
Measured sound power level:	91dB(A)
Guaranteed sound power level:	98dB(A); Notified Body for EC Directive 2000/14/EC:0036 Intertek Testing Services Shanghai, Building no. 86, 1198 Quinzhou Road (North) Shanghai.
Applicable EC Directives:	EC Directive of Electromagnetic Compatibility 2014/30/EU EC Machinery Directive 2006/42/EC EC Directive of noise emission 2000/14/EC
Applicable Harmonized Standards:	EN 60745-1 EN 60745-2-15 EN 55014-1 EN 55014-2
Authorized Signature/Date/ Place:	 Peter J. Chaloner 23-12-2020
Title of Signatory:	Managing Director
Name and address of the person authorized to compile the technical file	Cobra Garden Machinery, Henton & Chattell Ltd, London Road, Nottingham NG2 3HW UK