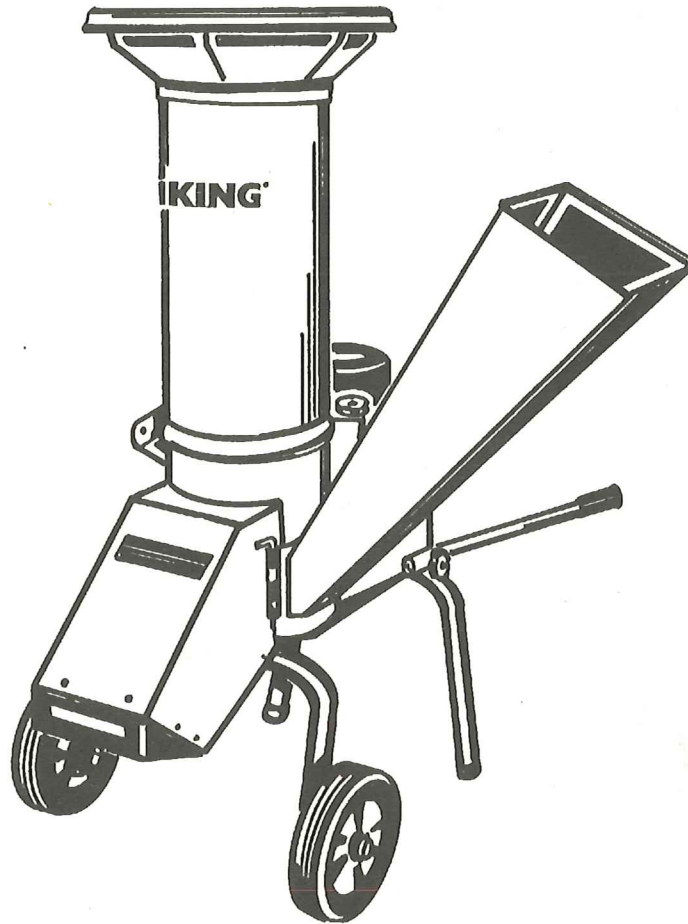




VIKING®



Super

AD 4064 S

AB 4080 S

AB 4099 SE

AZ 4000 S

**Operating Instructions
Shredder**

Dear Viking Client ...



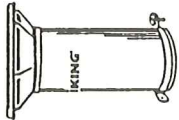






Congratulations on your new Universal Shredder and thank you for the confidence you have shown in our products. We are certain that this Universal Shredder will meet all your expectations.






Please read the following General Information before using the machine for the first time, so that you can familiarize yourself with the operation of the Viking Universal Shredder. Correct operation and maintenance are essential prerequisites ensuring a long service life and constant availability.

Please observe the following safety instructions in your own interest.

General Information

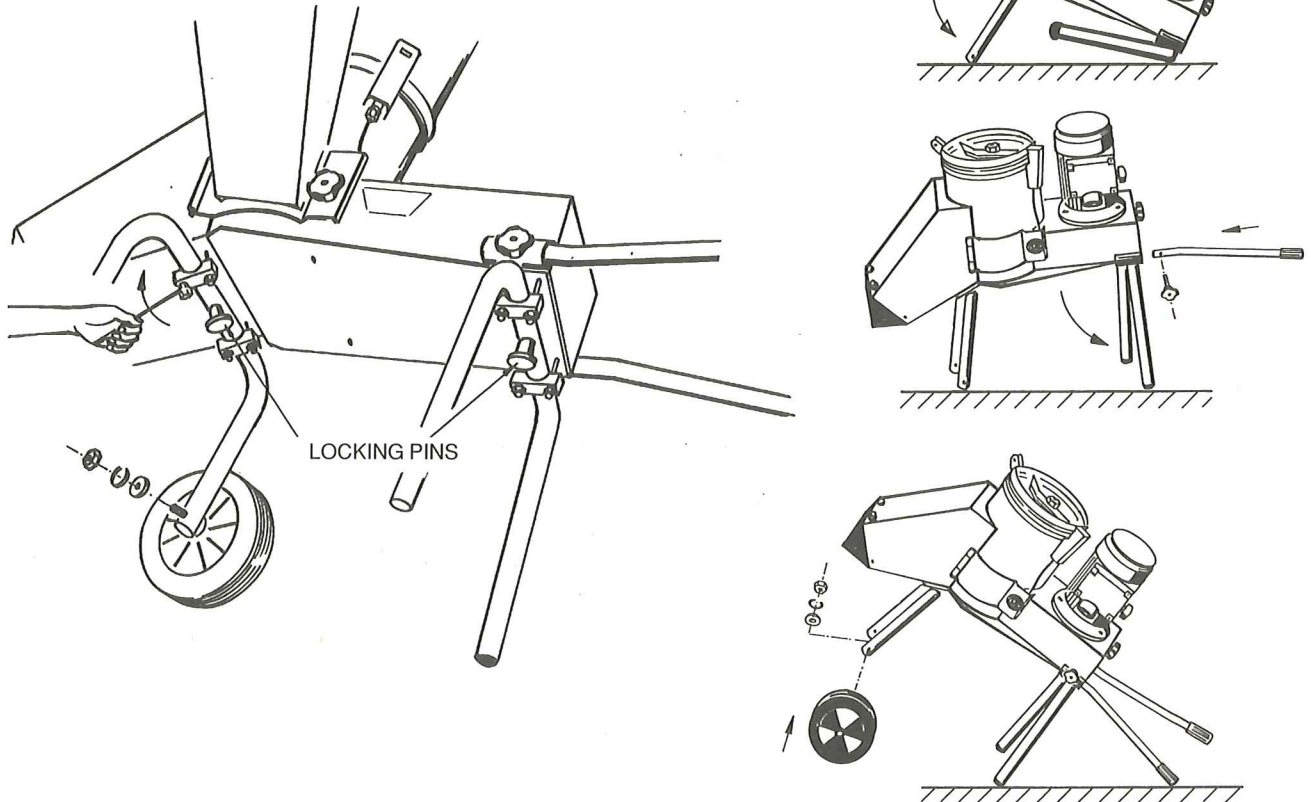
Packing List

Item	Diagram	Designation	Qty.	Art. No.
1		Basic unit with motor and tubular feet and flange plate for branch feed	1	
2		Sliding handle (not on AZ 4000 S)	2	
3		Hopper assembly	1	6002 700 0220
4		Branch feed hopper assembly	1	6002 700 0300
5		Locking knob (not on AZ 4000 S)	2	6001 708 5810
6		Wheel (250 mm dia.) with mounted wheel pin	2	
7		Tool bag	1	6001 891 0800
8		Operating instructions	1	0463 995 2221
9		Warranty card	1	0463 995 2165
10		Assembly tool	1	6002 890 2200
11		Allen key (5 mm)	1	0812 260 1008
12		Combination wrench, 3-piece	1	6000 890 3400

13		Socket wrench (30 mm)	1	6002 893 0710
14		Open-end wrench (17/19 mm) (only on AD 4064 S and AZ 4000 S)	1	6002 893 1300
15		Combination wrench (19/21 mm) (only on AB 4080 S and AB 4099 SE)	1	6109 890 3400
16		Oil drain-plug wrench (only on AB 4080 S and AB 4099 SE)	1	6109 893 1320
17		Motor instructions (only on AB 4080 S and AB 4099 SE)	1	
18		Battery column (only on AB 4099 SE)	1	
19		Rain cover for electric motor (only on AD 4064 S)	1	
20		3-point suspension assbly. (only on AZ 4000 S)	1	

Assembly

Assembling frame, wheels and tubular sliding handle

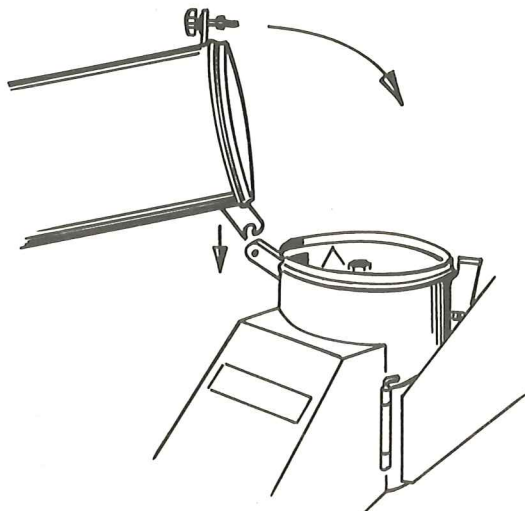


Assemble as shown in diagram. When locking the frame in place, make sure that the spring-loaded locking pins engage and the cap nuts are tightened evenly.

Assembly tool: Combination wrench (3-piece) and open-end or combination wrench (19 mm).

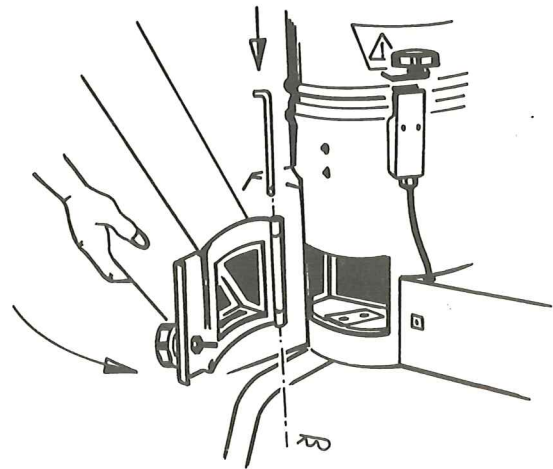
On model AZ 4000 S the sliding handles are not included in the delivery scope.

Assembling hopper



Assemble as shown in diagram

Assembling branch feed hopper



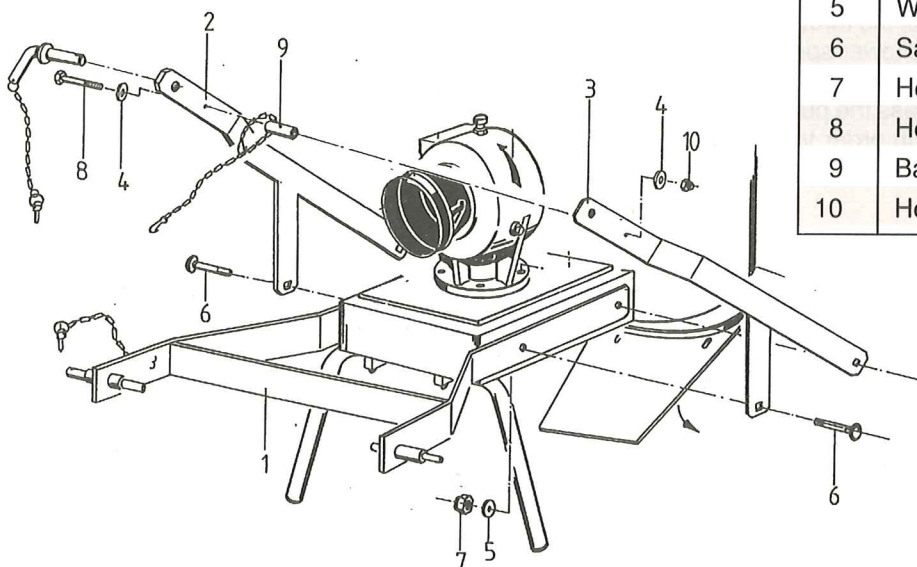
Assemble as shown in diagram

In order to ensure safe operation, the hopper and branch feed hopper must be mounted flush. The supplied cover must be mounted when the branch feed hopper is removed.

Important: Switch off motor or stop drive before opening the hopper or branch feed hopper, wait until the cutting tool has stopped and then unscrew the locking knob.

Assembling 3-point suspension on AZ 4000 S

Item	Designation	Qty.
1	Mounting bar AZ	1
2	Left upper guide bar	1
3	Right upper guide bar	1
4	Washer (A 8.4)	2
5	Washer (A 10.5)	4
6	Saucer-head bolt (M 10 x 35)	4
7	Hex. nut (M 10)	4
8	Hex. bolt (M 8 x 80)	1
9	Bar spacer	1
10	Hex. cap nut (M 8)	1



Assemble as shown in diagram.

Assembly tools: Combination wrench, 3-piece
Open-end wrench (17/19 mm)

Important: Always remount the cover plate of the drive housing after assembly.

Important: After assembly, check that all nuts and bolts are securely tightened. This is particularly important in the case of the bolts securing the blades.

Before Start-Up

Note the Safety Instructions and General Information!

Important: Combustion engines are supplied without fuel and without engine oil.

Please refer to the Technical Data for motors and the Operating Instructions for combustion engines, for further information concerning the type and quantity of fuel and engine oil required.

Model with electric motor:

Only cables with a maximum length of 20 m and a minimum wire cross-section of 1.5 mm² should be used. Goggles, ear protectors and gloves should be worn when working with the machine.

For safety reasons, the shredder can only be started up when the feed chute is firmly secured to the basic frame and closed. Shredders generate considerable noise on account of their mode of operation. For this reason, the machine should not be used during the official rest periods specified by the local authority.

Model with electric starter

The battery must similarly be topped up with accumulator acid as supplied and briefly charged in order to ensure full capacity.

Check the oil level in the gear unit of model AZ 4000 S.

Start-Up

Universal Shredders with Electric Motor

Model AD 4064 S is equipped with a star-delta switch. This model is switched on as follows: turn the knob to position "Y", wait until the shredder runs at maximum speed and then turn the knob to position "△". Important: Never operate the shredder with the knob set to position "Y", as this may overload the motor.

The electric motors should always operate at maximum speed in order to guarantee adequate cooling. The built-in safety switch disconnects the power supply if the motor is overloaded. The shredder can be restarted after cooling for approx. 10 minutes. In the case of model AB 4064 S, the rotary knob must be set to position "04" before switching on again.

Universal Shredders with Combustion Engine

Open the fuel valve if installed. Set the throttle trigger to "fast" (start) with the engine cold.

Pull on the starter handle until you feel the compression resistance of the engine and then pull through a full arm's length until the engine starts.

Hold the starter handle and gradually release it so that the starter cable can rewind correctly.

Then set the required engine speed on the throttle trigger. The throttle trigger must be set to the lower speed range when starting an engine that has already warmed up.

In the case of model AB 4110 SE, press the push-button switch on the battery compartment in order to start the engine after opening the fuel valve and setting the throttle trigger to "fast" (start).

Switching off the Universal Shredder

Turn the rotary switch to position "0" on models with electric motor. Set the throttle trigger to "Stop" on models with combustion engine. In the case of model AZ 4000 S, switch off the drive on the tractor.

Important: Do not remove any safety devices or fold down the filling funnel until the shredding blades have come to a standstill!

After Use

The mains plug and spark plug terminal must always be disconnected. The shredder should be cleaned and the shredder blades and working chamber sprayed with a commercially available oil. Particular care must be taken to ensure that the motor is always kept clean, especially the cooling fins. Soiled fins reduce the cooling capacity and thus the service life of the motor.

Note: Electric motors are protected against splash water. Nevertheless, the shredders must be cleaned very carefully when using water, in order to avoid all risk of mechanical or electrical damage. For this reason, never expose the motor, switches or bearings to a direct water jet from a garden hose or high-pressure cleaner!

Taking the Universal Shredder out of Service

The following points should be noted before taking the Universal Shredder out of service for a prolonged period of time:

- Carefully clean all external parts of the motor and shredder, as well as the material chamber and above all the cooling fins of the motor.
- All moving parts, the material chamber and shredding tools should be well oiled.
- Repair any damaged paintwork to prevent further corrosion.
- Disconnect the fuel line and drain the fuel tank completely.
- Unscrew the spark plug and fill approx. 40 ccm engine oil into the engine through the spark plug opening. Replace the spark plug. Allow the engine to turn over a few times.
- Cover the engine thoroughly; the Universal Shredder must be stored horizontally in a dry, dust-free room.
- Before re-starting the shredder, the spark plug must be cleaned if necessary until the engine runs absolutely smoothly again.

Maintenance

Electric motors do not require maintenance! Please note

Model AZ 4000 S:

Connect the Universal Shredder to the tractor by means of the 3-point suspension and power take-off shaft (articulated shaft) so that the Universal Shredder is horizontal. The fold angle of the pto-shaft should not exceed approx. +/- 15°. The retaining journals must be secured by means of the hinged cotter pins.

The drive is switched on on the tractor.

the General Information and Maintenance Instructions published by the manufacturers of the combustion engines. **Important:** Remember to change the engine oil specified!

Shredder Blades:

Important: Never touch the shredder blades without disconnecting the mains plug or spark plug terminal first.

The blades are subject to natural wear during operation. They can be resharpened if they become blunt with time.

When sharpening the blades, care must be taken to ensure that they do not overheat in order to avoid an annealing effect reducing the blade hardness (wet or cold ground). The blades must be ground uniformly in order to avoid any imbalance. Check that the machine runs smoothly after replacing the blades.

The chipping blade should always be sharp in order to reduce branches introduced through the side tube. Both sides of the chipper blade can be used.

The shredder blades in the upper shredder chamber must be replaced when the blade tips, in particular, have already worn down to such an extent that the original distance between blade tip and inside wall of the housing has increased significantly (shredding performance decreases, material becomes coarser). The blades of the chipper disk should be replaced if the chipping performance decreases.

Maintenance of the Gear Unit in Model AZ 4000 S

Each gear unit is filled with 0.75 l gear oil SAE 90 EP by the manufacturer. We recommend that the same or a similar oil grade be used whenever the oil is changed.

The first oil change must be carried out after 10 hours of operation. Thereafter, the oil must be changed once per year.

The oil level must be checked on the view glass screwed into the side of the gear unit whenever the shredder is about to be used.

In order to drain the oil, open the drain plug at the side, near the bottom of the gear unit. In order to top up with oil, open the filling screw which simultaneously serves as the venting screw.

Maintenance of the Battery in Model AB 4099 SE

The enclosed Safety Instructions and the manufacturer's directions for use must be observed in conjunction with the battery.

Shredder Tools

Important: Never touch the shredding blades until the mains plug or spark plug terminal has been disconnected.

Replacing the Shredder Tools

Upper chamber

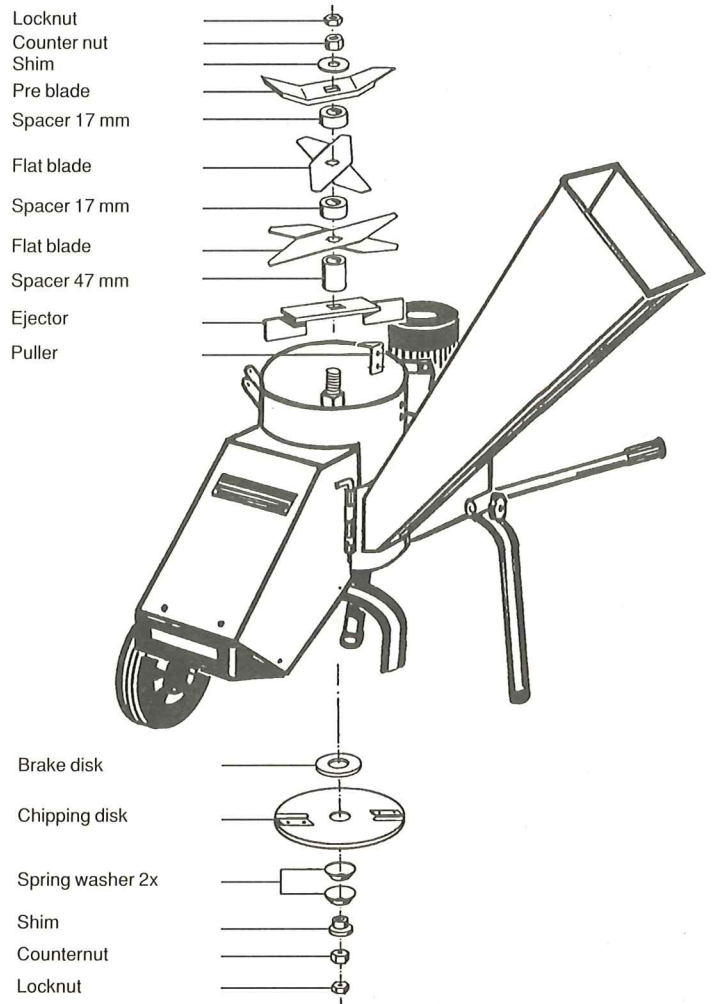
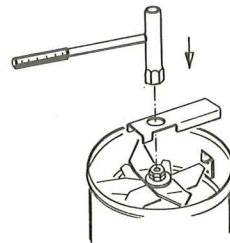
First unscrew the counter nut and then the lock nut underneath, using an size 30 hexagonal socket wrench. The shredding tools can then be drawn off the square drive shaft. When reassembling the components, particular care must be taken to ensure that they are reassembled in correct order and position! Finally, tighten the lock nut and then the counter nut securely and carefully.

Lower chamber (chipping chamber)

The chipping disk is accessible after removing the lower housing cover. The chipping disk can be removed after unscrewing first the counter nut and then the lock nut. The two chipping blades are designed as reversible blades and can therefore be used a second time. The fastening screws on the chipping blades must be retightened carefully and securely! The condition of the spring washers and brake disk must be checked and replaced if necessary before reassembling the parts in reverse order.

Finally, tighten first the lock nut and then the counter nut securely and carefully.

Correct assembly and the use of faultless components guarantee that any extreme loads occurring will lead to no damage. Finally, replace the housing cover. The puller, which acts as a counter blade, can be replaced if required.



Maintenance V-Belt Drive

The blades are driven by means of two V-belts, type SPZ 900 LW with similar tolerances. These belts are accessible after removing the lower housing cover. The belt tension is set by the manufacturer but may decrease with time, depending on load, and should therefore be checked every 10 operating hours. The belts are correctly tensioned if they can be depressed by approx. 10 mm in the middle between the two belt pulleys. Excessively low and excessively high belt tension will reduce the service life of the drive unit!

In order to retension the belts, first loosen the 4 motor fastening screws from the top. The correct tension can

easily be set with the aid of a suitable wooden wedge inserted between the shredder housing and motor. The 4 motor fastening screws must then be carefully retightened. The belt tension must be checked again before replacing the housing cover!

Loosen the four motor mounting screws on the upper side to retension the V-belt. Turn the rotary knob on the back of the motor support until the V-belt is properly tensioned. Now the motor mounting screws must be firmly retightened and the cover plate remounted.

The parts are reassembled in reverse order once the new V-belts have been fitted.

Technical data, universal shredder

Two-chamber turbo shredding system
Branch feeder to chipping blade for branches up to 50 mm in diameter.

Fully encapsulated V-belt drive.

Fold-down filling hopper and branch feed hopper -
Fixed in place on models AD 4064 S, AB 4080 S and
AB 4099 SE with electro-mechanical safety locking
feature by means of rotary knob, on model AZ 4000 S
with rotary knob.

Model AZ 4000 S with pivoting hexagon cap nut.

Detachable sliding handles on models AD 4064 S,
AB 4080 S, AB 4110 SE and AB 4099 SE.

Tool set secured by means of two spring washers,
thrust collar and brake disk with central shaft doubly
mounted in permanently lubricated, sealed ball bea-
rings in the cast flange.

1 pre-blade, 1 replaceable puller, 4 shredding blades, 1
ejector, 1 chipping disk with, 2 reversible chipping bla-
des and ejectors.

Feed opening dia. 190 mm

Can be driven on two wheels dia. 250 mm

Size (l/w/h) in cm, including sliding handles:
157/110/148

Size (l/w/h) in cm, AZ 4000 S: 125/110/148

Weight:	AD 4064 S	90 kg
	AB 4080 S	90 kg
	AB 4099 SE	103 kg
	AZ 4000 S	106 kg

Technical data, 4-stroke engines, electric motors and power take-off

Model AD 4064 S

Three-phase 400 V motor
Electromagnetic motor brake
Star-delta switch with motor protection and undervol-
tage
release

Input power: 4.7 kW

Output power: 4 kW

Speed: 2850 rpm

Current consumption: 8.3 A

Fuse: 16 A (slow-blow)

Cable cross-section: 5 x 1.5 mm²

Max. cable length: 20 metres

Model AB 4080 S

4-stroke engine with vertical crankshaft

Type: Briggs & Stratton IC 196 702

Capacity: 319 ccm

Output: 6,3 kW (8,5 HP) at 3600 rpm

Oil capacity: 1.06 litres

Oil type: Refer to the operating instructions for the
combustion engine

Fuel tank capacity: 2.8 litres

Fuel: Regular unleaded petrol

Model AB 4099 SE

4-stroke engine with vertical crankshaft and electric starter

Type: Briggs & Stratton "IC" 256 707 / "IC" 257 707

Capacity: 400 ccm

Output: 7.5 kW (10 HP) at 3600 rpm

Oil capacity: 1.42 litres

Oil type: Refer to the operating instructions for the combustion engine

Fuel tank capacity: 2.8 litres

Fuel: Regular unleaded petrol

Battery: 12 V, 14 Ah, acid battery

Model AZ 4000 S

Angular gear, transmission ratio 1:5.33

Tractor speed: 540 rpm

Sense of rotation: Clockwise

Shaft profile: Standard profile 1 3/8", 6-part

Pto shaft (cardan shaft): With overriding free-wheel

approx. 800 mm long, profile 1 3/8", 6-part

Recommended pto type: Bondioli and Pavesi, A 2.08.Z

RAI - 18.51.03, size 2

Pto suspension: 19 mm journal diameter for upper pull

rod Mean outside axle base approx. 645 mm (dia. 22

mm and dia. 28 mm, l = 45 mm)

Mean inside axle base approx. 445 mm (dia. 19 mm, l = 36 mm)

Height of lower pull rod: 503 mm

Height of gear journal: 716 mm

Height of upper pull rod: 1015 mm

Oil capacity: 0.75 litres

Oil type: SAE 90 EP gear oil

Using the Universal Shredder

In addition to reducing the volume of waste and systematically cleaning your garden, one of the most important tasks of your shredder is to treat organic waste in order to produce valuable compost. Plants require assistance in the supply of nutrients and care during all stages of growth. Good compost returns to the soil what plants have extracted earlier. Composting is the oldest and most natural method of fertilization in the world and does not cause any difficulties if a few simple rules are observed.

The most important basic rule: The compost material must be as small and fibrous as possible in order to ensure ideal conditions for the small animals and micro-organisms which set off the decomposition process in combination with moisture, air and warmth, thus converting organic waste into nutritious compost.

What can be composted?

Kitchen and household waste

Coffee grounds and tea leaves, egg shells, fruit and vegetables. Newspaper, wrapping paper, corrugated cardboard, wood shavings, rotten wood, chip baskets, wicker baskets, fruit boxes of thin wood, household paper, napkins and many other items.

Garden waste

Tree and hedge clippings, berry plants, rose clippings, flowers (autumn leaves), potato leaves, tomato plants, bean and pea straw, cut grass, hay and straw, vegetable scraps, leaves, shrubs, roots and complete strawberry plants (with little earth and no large stones), used earth from flower pots and lots of other materials. If you do not produce sufficient waste in your own household or garden, there are plenty of other sources to meet your demand for compost, such as material from other sources to meet your demand for compost, such as

material from other gardens, autumn leaves, swept-up by the municipal authorities (usually delivered free of charge) bark from sawmills or the woods, manure or straw from farms and stables, hop waste and spent hops from breweries and wine producers.

The following materials must not be composted

Stones, glass, metal, plastics, chemical cleaning agents, printed paper (magazines and brochures).

Basic rule: Materials which are unsuitable for composting should not be shredded.

Practical tips

Most materials should be shredded immediately whenever possible. Processing fresh material improves the efficiency of the shredder and helps to produce smaller parts; at the same time, processing is promoted by the natural moisture in the material.

Paper and cardboard should be moistened before shredding. The end product will be smoother, does not generate as much dust and facilitates the rotting process. Dry paper, for instance, would be carried away by the wind.

Viking Universal Shredders are designed to process moist materials without difficulty and without risk of clogging. Extremely wet and slimy, possibly half-rotted material containing a large proportion of earth may lead to clogging. Add twigs and branches to prevent the machine from becoming soiled. Large, bulky waste, such as rotten wood, chip baskets, fruit boxes and wicker baskets should be broken up with an axe before feeding into the shredder. Patches of grass should be broken up with a spade before feeding into the shredder. Care must also be taken to ensure that the grass patches do not contain any large stones. Cut grass, hay and straw, wood shavings and chips should be added gradually. The motor noise is a good indicator of the amount of material that can be fed into the machine

(speed drops). All kitchen waste should be collected in a bucket so that it is uniformly moistened (for instance paper napkins) and can thus be processed more easily.

The right mixture

It should be noted that the rotting process and quality of the compost are enhanced by thoroughly mixing the shredded material. This can be achieved, for example, by alternately feeding different materials. If you want to do the job even more efficiently, return the shredded mixed material to the shredder, so that it is not only ideally mixed, but also cut up even more finely, thus creating excellent conditions for high-quality compost. For instance, we recommend that you add paper when shredding windfall and autumn leaves.

As you become more experienced in using your shredder and discover its limits and possible uses, you will also find that virtually all materials can be processed without difficulty.

Additional useful information

In addition to preparing material for composting, the garden shredder can also be used to prepare fodder for game and small animals, as well as for mashing fruit for drinks.

Warranty Conditions

Note the Warranty Card enclosed with the machine.

Safety Instructions

1. The Operating Instructions must be read carefully.
2. The Universal Shredder must not be operated by adolescents under 16 years of age. Children must be kept out of range of the Universal Shredder during operation.
3. The operator is liable for any damage caused to third parties by the Universal Shredder in its working area.
4. The Universal Shredder must be correctly closed when the motor is switched on. **THE FUNNEL MUST BE FITTED.** (Refer the General Information).
5. Gloves, goggles and ear protectors must be worn when using the Universal Shredder.
6. The machine must stand securely on a level surface. Keep away from the ejector opening when switching on the motor and during operation.
7. Ensure that foreign bodies are not fed to the shredding tools.
8. The motor must be switched off and the mains plug disconnected before leaving the Universal Shredder unattended.
9. The following work may only be performed when the motor is disconnected and the cutting tools are at a standstill:
 - ◇ Assembly
 - ◇ All maintenance on the Universal Shredder and motor
 - ◇ All cleaning operations on the Universal Shredder
 - ◇ Transporting the Universal Shredder
 - ◇ Folding down the feed funnel
 - ◇ All conversion and extension workIt is essential to disconnect the mains plug or spark plug terminal in order to prevent accidental start-up.
10. Safety devices must not be removed; all safety devices must be replaced after maintenance or repairs.
11. Never look or reach into the feed funnel and ejector opening while the machine is in operation, as this may cause injury to eyes and fingers or hands.
12. Always check that the retaining nuts and cutting tools are securely tightened before switching on the shredder.
13. The chipping tool must be examined regularly. It must be reground uniformly in order to prevent any imbalance.

The blades should be replaced if they show signs of major damage. Only genuine spare parts should be installed as instructed.

Gloves must be worn when replacing the chipping tool in order to protect your hands.
14. The machine must be switched off immediately and inspected by a specialist repair workshop if it begins to vibrate excessively.
15. Only use the recommended accessories.
16. Ensure adequate lightning.
17. Safety instructions for Universal Shredders with combustion engine:
 - ◇ These shredders must never be operated in confined spaces on account of the associated risk of intoxication.
 - ◇ Particular care must be exercised when handling fuel, due to the risk of fire (no smoking). Always use a funnel to fill up. Fuel may only be filled into the tank out of doors with the engine switched off. Never top up with fuel when the engine is warm. Ensure that no fuel is spilled. Allow the engine to cool before storing the shredder in confined spaces.
 - ◇ The mufflers of combustion engines are very hot.
 - ◇ The engine speed must not be changed for reasons of safety.
18. Safety information for shredders with electric motors:
 - ◇ The connecting lead must be regularly examined for signs of damage and ageing.
 - ◇ The machine must not be used if the connecting leads are not in perfect condition.
 - ◇ The connecting leads must not be lighter than rubberinsulated flexible cable type 05 RN, must have a minimum cross-section of 1.5 mm² and comply with DIN 57282, Part 817/VDE 0282, Part 817. The connecting leads of AC models must have a plug connector of rubber or insulated with rubber. A 16 A CEE plug connector must be used for the three-phase models. All plug connectors must be protected against splash water.
 - ◇ The correct sense of rotation of the chipping tool must be ensured in all three-phase models. The motor must be re-poled if it rotates in the wrong direction.
 - ◇ All work on the electric motor, switches and connecting leads must be performed by a qualified engineer.
19. Note that the machine runs on for approx. 5 seconds after being switched off; the safety devices must not be removed until this time has expired, i.e. until the machine has become to a standstill.

- | | | | |
|----|------------------------------------------------------------------------------------------------------------------------------------------------------------------------|----|--------------------------------------------------------------------------------------------------------------------------------------------------------------------------------------------------------------|
| B | ANDREAS STIHL N.V.
Dorpsstraat 63-67
B-1851 Grimbergen (Humbeek)
Telefon: (02) 269-2525
Telefax: (02) 269-3000 | CH | UNIVERSAL AG
Brestenburgstraße 6
CH-8862 Schübelbach/SZ
Telefon: (055) 66 11 66
Telefax: (055) 6451 01 |
| D | Endress München Vertriebs-GmbH
Landsberger Straße 203
8000 München 21
Telefon: (089) 570 7050
Telefax: (089) 5707 0542 | D | STIHL KG Vertriebszentrale
Produktbereich VIKING
Robert-Bosch-Straße 13
Telefon: (060 71) 20 40/3001 40
Telefax: (060 71) 20 41 29/3001 60 |
| D | Carl Witte & Sohn GmbH
Schnatwinkel 200
3065 Nienstädt
Telefon: (057 21) 7070
Telefax: (057 21) 70753 | DK | Andreas Petersen Højby ApS
Knullen 2
DK-5260 Odense S
Telefon: (045) 659581 80
Telefax: (045) 659586 58 |
| E | ANDREAS STIHL S.A.
Calle Londres s/n
(Poligono Industrial)
E-28813 Torres de la Alameda
(Prov. Madrid)
Telefon: (91) 88581 83
Telefax: (91) 88582 48 | F | ANDREAS STIHL S.A.R.L.
Zone Industrielle Nord de Torcy
Rue des Epinettes
B. P. 11
F-77201 Marne-La-Vallée, Cedex 01
Telefon: (1) 646256 00
Telefax: (1) 646256 01
Telex: STIHL 691193 F |
| GB | ANDREAS STIHL Ltd.
Stankope Road Camberley
GB-Surrey GO 15 3Y T
Telefon: (0276) 20202
Telefax: (0276) 6705 10
Telex: 859630 STIHL G | H | ANDREAS STIHL KFT
Nagytetenyi ut 100-102
H-1222 Budapest
Telefon: (061) 2273654
Telefax: (061) 2273654 |
| I | ANDREAS STIHL S.P.A.
Via Privata Viserba 19
I-20126 Milano
Telefon: (02) 2552941
Telefax: (02) 2552588 | IR | DELTA DISTRIBUTORS LTD.
Cookstown Industrial Estate
IR-Tallaght, Dublin 24
Telefon: (01) 51 03 11
Telefax: (01) 51 00 08
Telex: 32765 DLTA EI |
| N | ANDREAS STIHL A/S
Postboks 20 37 Hasle
N-3201 Sandefjord
Telefon: (034) 65880
Telefax: (034) 65825 | NL | ANDREAS STIHL B.V.
Laagraven N. 59
NL-3439 LL Nieuwegein
Telefon: (030) 885897
Telefax: (030) 888554 |
| P | JOAQUIM VERDASCA JUN.
Rua Carvalho Aranjó 90
P-2490 Ourem
Telefon: (049) 4 2540
Telefax: (049) 4 12 16
Telex: 14407 STIHL P | SF | OY ELFVING AB
Rälssitie 6
PL 63
SF-01510 Vantaa
Telefon: (090) 821366
Telefax: (090) 826640
Telex: 057124775 ELFVI SF |

Subject to technical change

046 3995 2225

VIKING-Umwelttechnik
Gesellschaft m.b.H.
Münchner Straße 17-21

A-6330 Kufstein
Telefon (053 72) 69 72
Telefax (053 72) 65 97 5



Ein Unternehmen
der STIHL Gruppe

VIKING-GmbH & Co KG
Kesselstraße 6

W-7000 Stuttgart 60
Telefon (07 11) 4024-0
Telefax (07 11) 420 1800