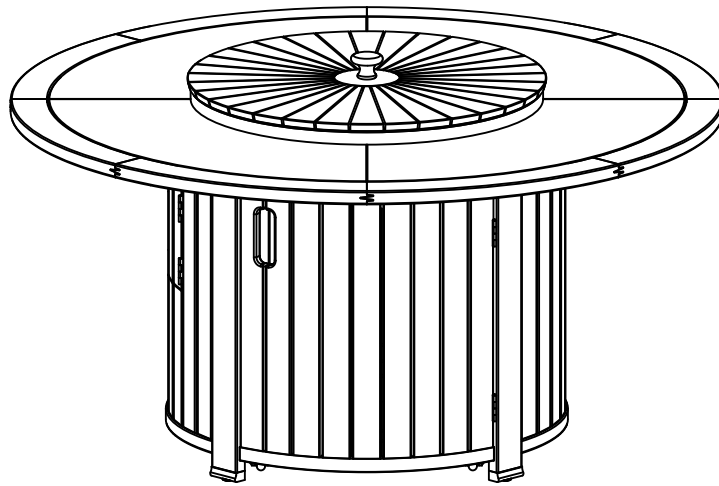


# User Manual

for Cambridge Fire Table  
Read all instructions before use



50,000 BTU / 209,000 Calories  
Complies with ANS Z21.97-2017, Outdoor Decorative Gas Appliances

# Table of Contents

Important Safety Instructions	1
Package Contents	2
Installation	3
Operation	5
Care Instructions	6
Storage & Maintenance	6
Natural Gas Conversion	7
Troubleshooting	8
Framing and Clearances	9

## | Reminder:

### BEFORE USE

Verify that all parts are included with your fire table. The table is supplied assembled and all you need is to place the lava rocks into the fire bowl and connect a 20 lbs propane tank (not included). If some parts are missing, then do not attempt to use the fire table. Instead contact your retailer for further information.

### YOUR USER MANUAL

Keep and store this user manual for future reference. It contains important information and procedures for safety and maintenance.

# | Important Safety Instructions

## FOR OUTDOOR USE ONLY

Never use this product inside a home, garage, camper, tent, boat, RV, prefab enclosure or in any unventilated or enclosed area. While in operation the burner produces carbon monoxide by-products and reduces oxygen.

## WARNING!

Improper use, installation, operation, adjustment, alteration, service or maintenance of the product can cause property damage, personal injury, or possibly death.

## DANGER

If you smell gas:

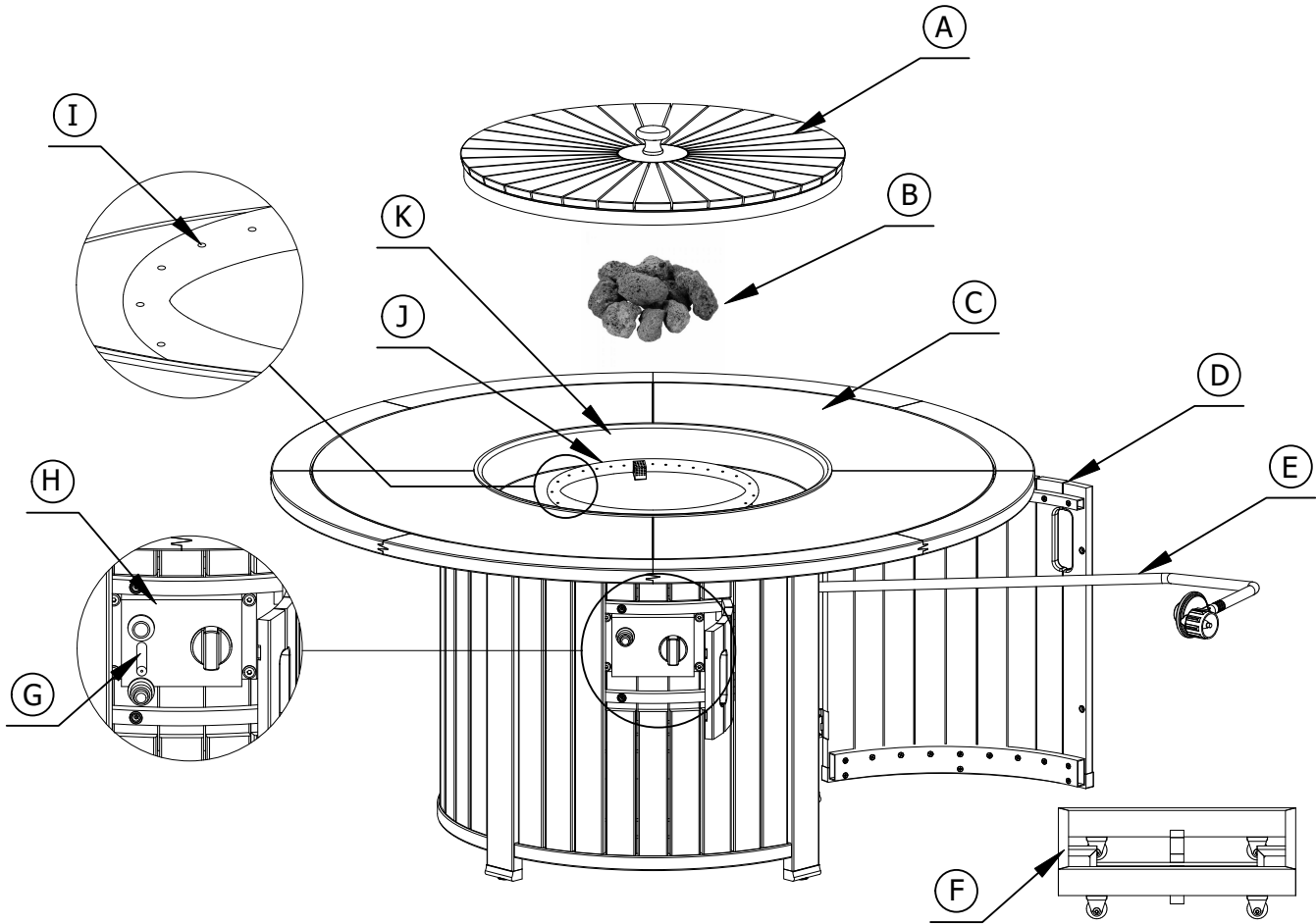
1. Shut off the gas supply to the fire table.
2. Extinguish any open flame.
3. If odor continues, keep away from the fire table and immediately call your gas supplier.

## CAUTION!

1. Always place the table on a firm and level surface.
2. The table shall be used only outdoors in a well ventilated space and shall not be used in a garage, shed or any other enclosed area.
3. Solid fuels such as wood shall not be used with this table.
4. Children should be carefully supervised when they are near the table.
5. When in use, keep the table area clear with at least 27 inches from sides and 50 inches from the top.
6. Clothing or other flammable materials should not be hung from the table or placed on or near it.
7. DO NOT use the gas appliance in strong wind and/or heavy rain.
8. DO NOT try to cool the lava rocks with water. Rapid cooling will cause the rocks to splinter and break.
9. DO NOT use the table if there is any sign of damage. Instead, disconnect the gas tank from the table and contact your retailer.
10. At all times keep the table area free from combustible materials, flammable vapors and liquids.



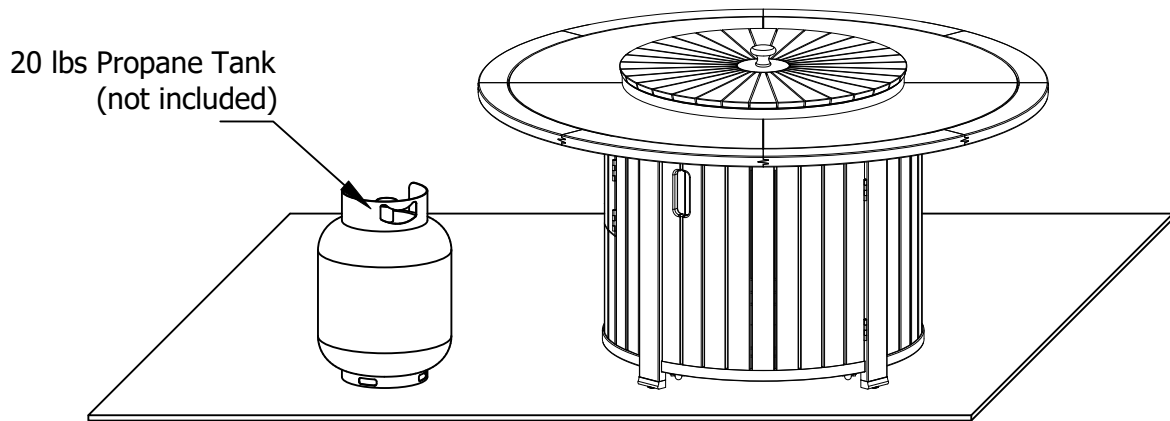
# | Package Contents



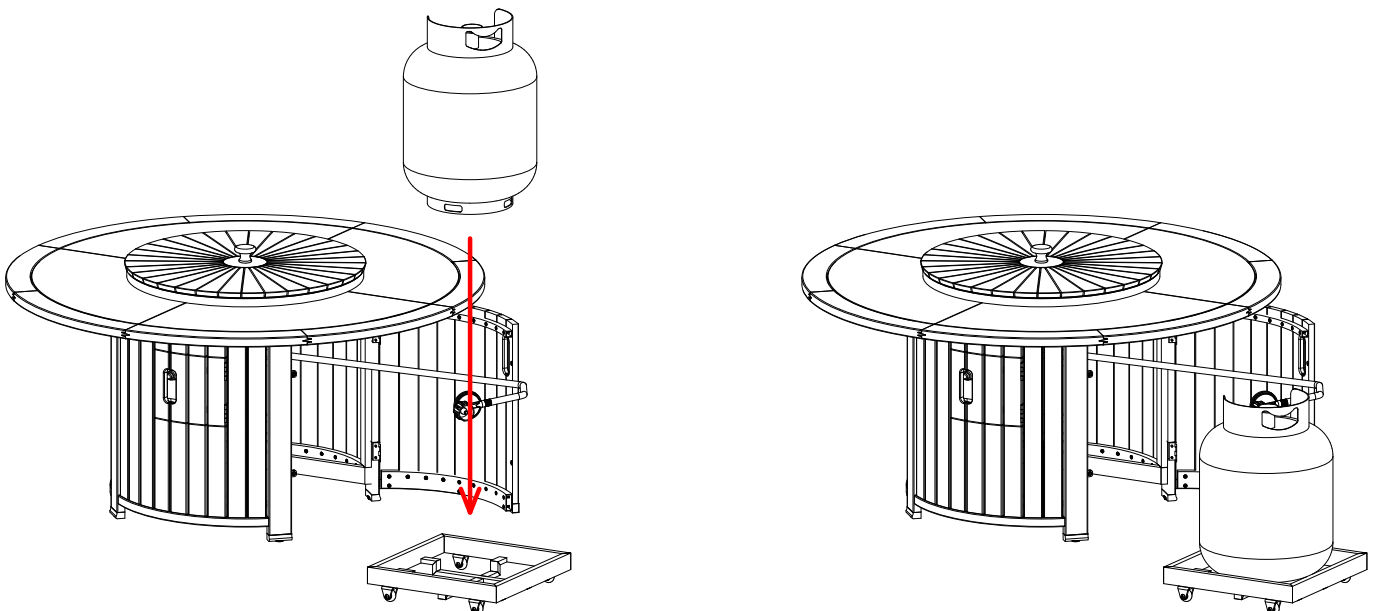
Part	Description	Quantity
A	Lid	1 pcs
B	Lava Rocks (small & big rocks)	14 kgs
C	Table Base	1 set
D	Tank Access Door	1 pcs
E	Regulator	1 pcs
F	Tank Trolley	1 pcs
G	AAA Battery	1 pcs
H	Control Panel	1 pcs
I	Burner Holes	-
J	Gas Burner	1 pcs
K	Fire Bowl	1 pcs

# | Installation

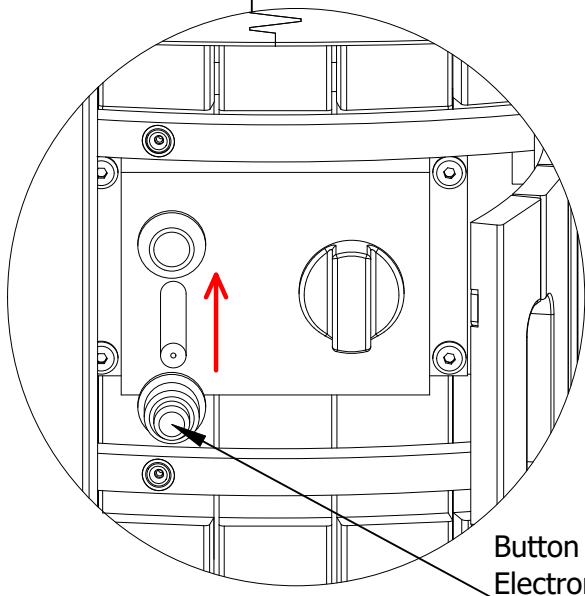
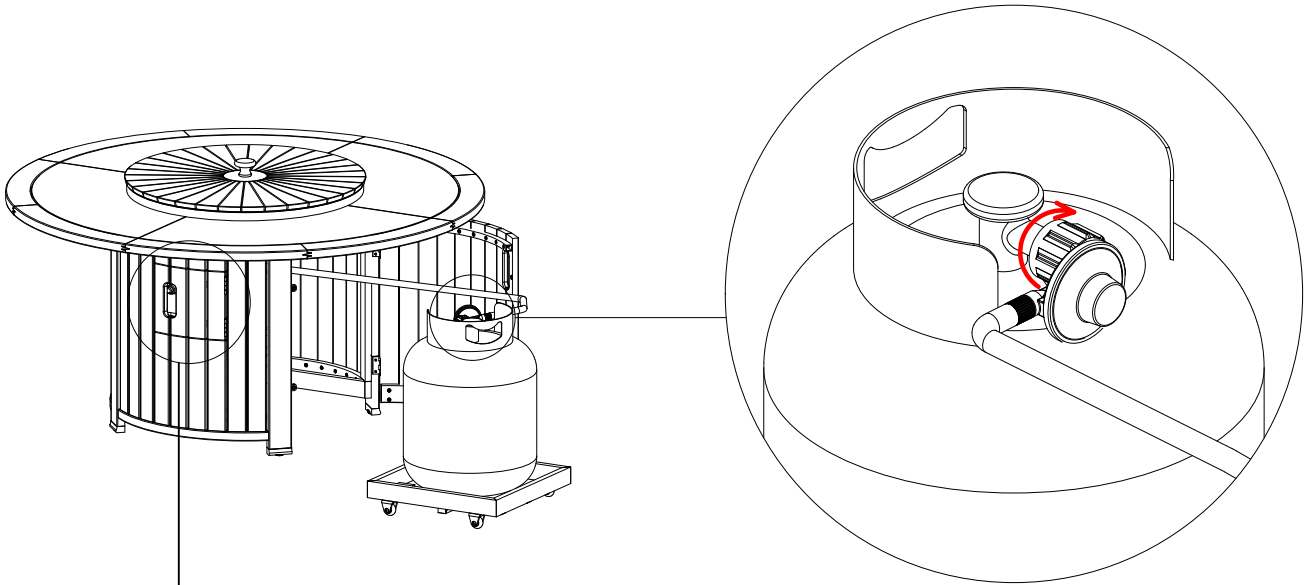
1. The fire table must be installed on a flat, stable surface, away from any combustible materials.
  - DO NOT place this fire table on grass or dirt areas as this may prevent proper safety venting.
2. Use only 20 lbs propane tanks designed to operate in vertical position.



3. Open the tank access door then slide out the tank trolley. Place the propane tank into the tank trolley.



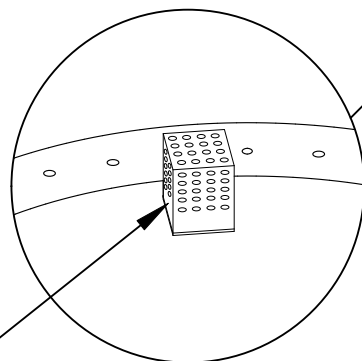
4. Connect the regulator to the cylinder by rotating the knob clockwise until the regulator is fully secured to the tank.



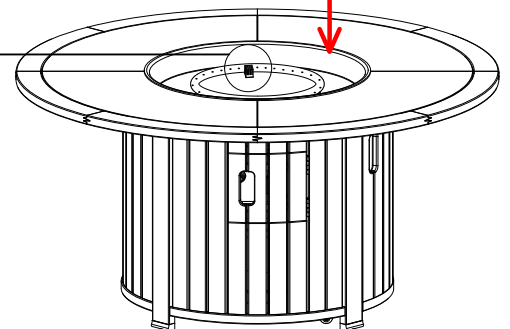
Button for  
Electronic Igniter

5. To install the battery, unscrew the rubber push button on the electronic igniter and insert a AAA battery (included in the box) into the battery slot. Ensure the positive terminal on the battery faces toward the push button.

6. Return the tank trolley to its position below the table, then remove the lid and fill the supplied lava rocks into the fire bowl. Spread the big lava rocks first, followed by the small rocks. Ensure the top of the cage around the ignition point is not covered with rocks.



Cage Around  
Ignition Point



# | Operation

## LEAK DETECTION PROCEDURE



WARNING

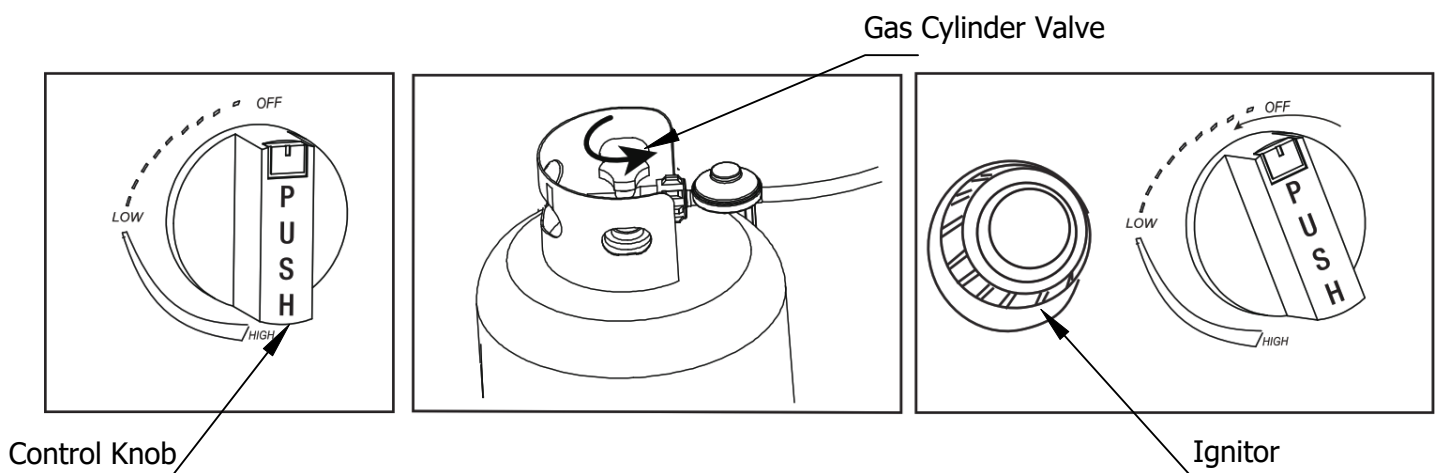
- NEVER use an open flame to test for leaks.
- NEVER leak test when smoking.
- Perform all leak test outdoor.
- A leak test must be performed annually, or if a part of the gas system is replaced.
- DO NOT use the fire pit until all connections have been leak tested and verified to be free of leaks.

Leak testing:

1. Make sure the gas control is in the "OFF" position.
2. Make sure the propane tank is correctly and securely connected to the regulator.
3. Turn on the valve on the cylinder. Brush a half and half dilution of liquid dish washing soap and water onto all joints and connections of the regulator, hose, manifolds and valves.
4. Bubbles will form if there is a leak.
  - In the case of a leak, turn off the gas connections and have the appliance inspected by a certified gas installer.
5. If NO bubbles appear at any connection, the connections are secure and you may continue to the step below.

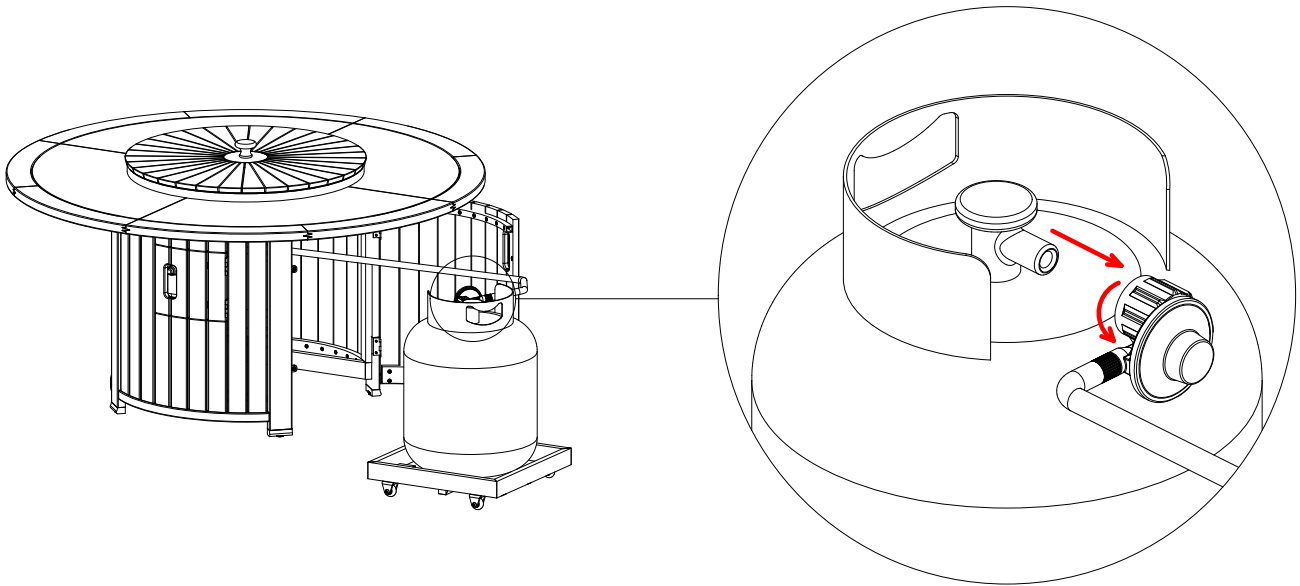
## TO LIGHT THE FIRE TABLE

1. Make sure control knob is in the "OFF" position on the control panel.
2. Rotate the valve on the cylinder until it is in the fully opened position.
3. Push the ignitor, then subsequently push and turn the knob to high. Release the ignitor once the burner lights, but keep the knob pushed in and release it after 45 seconds.
4. If the burner goes out, wait 5 minutes and then proceed to step 3 again.
5. Adjust the flame to your preferred level with the control knob.



## TO SHUT DOWN AND DISCONNECT THE CYLINDER

1. Turn the control knob to "OFF" to shut down the fire table.
2. Once the flame goes out, slide out the tank rack.
3. Turn the propane tank valve off. Always turn off the tank valve when the fire table is not in use.
4. Verify that the propane tank valve is fully closed.
5. Wait 45 minutes to allow the table to cool down.
6. Turn the knob counterclockwise to detach the regulator from the tank.
7. Place the lid on top of the fire bowl once the unit has cooled down.



## | Care Instructions

1. Use warm soapy water for cleaning. Never use flammable, corrosive or abrasive cleaners.
2. Clean the holes in the burner using a swab that is moistened with soapy water.
3. The burner and fire bowl must be dry before normal use.
4. While cleaning your unit, be sure to keep the area around the burner dry at all times.
5. If the gas control knob is exposed to water in any way, DO NOT try to use it. It must be replaced.
6. Keep controls, burner and circulating air passageways clean.

## | Storage and Maintenance

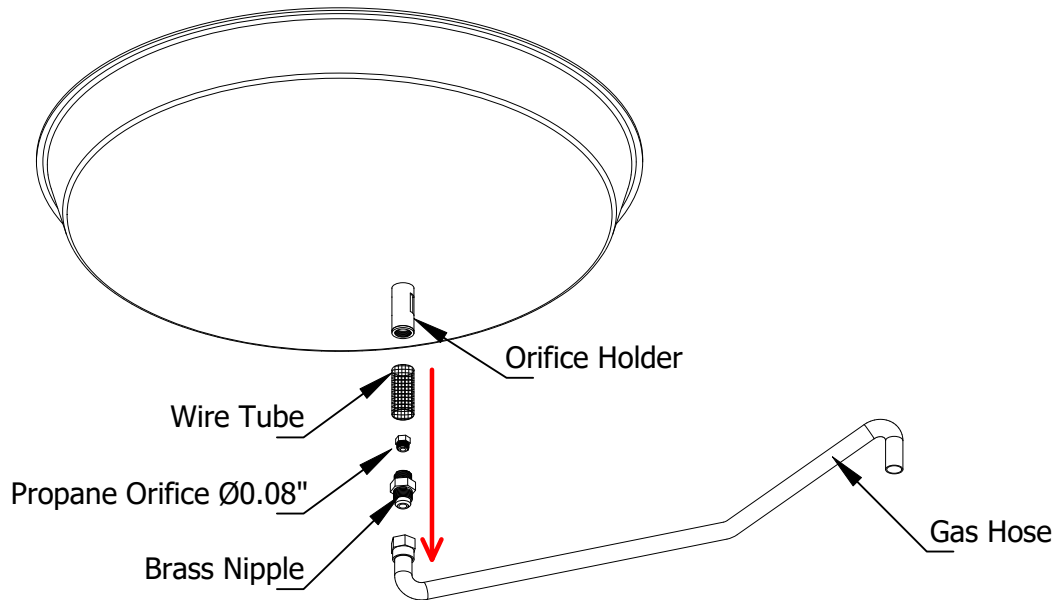
1. Before disconnecting and removing the gas cylinder after use, allow 45 minutes for the fire table to cool down.
2. Disconnect the gas cylinder from the fire table.
3. Store the gas cylinder in a dry and well ventilated area. DO NOT store in a closed-off building, garage or any other closed area.
4. The fire table may be stored indoors only if the cylinder is disconnected and removed.



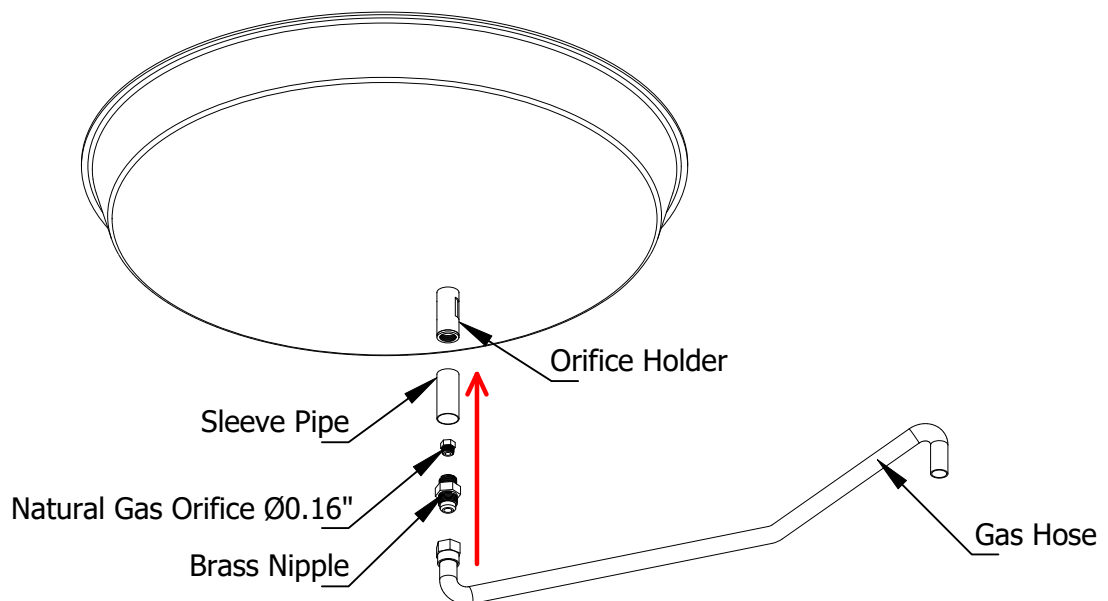
# | Conversion to Natural Gas

The process described below must only be performed by a certified gas installer.

1. Detach the gas hose from the orifice holder by rotating the connector counter-clockwise. Followed by unscrewing the brass nipple and the propane orifice. Then remove the wire tube from the orifice holder.



2. Attach the natural gas orifice to the brass nipple by rotating it clockwise. Replace the wire tube with the sleeve pipe, then insert the assembly to the orifice holder on the burner by rotating it clockwise.



3. Connect the gas hose to the orifice holder by rotating the connector clockwise until the gas hose is fully secured.



# | Troubleshooting

Problem Observed	Possible Cause	Solution
There is a gas odor.	There is a gas leak.	Perform "Leak Test". If odor continues shut off gas supply and contact your retailer.
Ignition is delayed.	<ul style="list-style-type: none"> <li>• The gas pressure is low.</li> <li>• The burner holes are clogged or dirty.</li> <li>• The battery is out of power.</li> </ul>	<ul style="list-style-type: none"> <li>• Check gas supply pressure.</li> <li>• Clean burner holes (see maintenance section).</li> <li>• Replace battery with new AAA battery.</li> </ul>
The burner flame is low or insufficient.	<ul style="list-style-type: none"> <li>• Low gas supply pressure or flow.</li> <li>• Clogged or dirty burner holes.</li> </ul>	<ul style="list-style-type: none"> <li>• Replace gas tank.</li> <li>• Clean the burner holes. (see maintenance section)</li> </ul>
Humming regulator.	This is normal on hot days	This is not a defect. It is caused by internal vibrations in the regulator and does not affect the performance or safety of the appliance.
Burner will not light with the igniter, but will light with a match.	<ul style="list-style-type: none"> <li>• Dead battery / or incorrectly installed battery.</li> <li>• Loose electrode wire or switch terminal wires.</li> </ul>	<ul style="list-style-type: none"> <li>• Replace AAA battery and verify the positive terminal faces toward the push button.</li> <li>• Check that electrode wire is firmly pushed onto the terminal on the back of the igniter. Check that the lead wires from the module to the ignition switch are firmly connected to their respective terminals.</li> </ul>

# | Framing and Clearances

## Note:

- Illustrations reflect typical installations and are FOR DESIGN PURPOSE ONLY.
- Illustrations/diagrams are not drawn to scale.
- Actual installation may vary.

WARNING

Fire Risk  
Provide adequate clearance:

- For service access
- Around air openings

Locate appliance away from high traffic areas.  
For outdoor use only.

