

Product name: SRD steering switch case

Compatible models: SUBARU WRX STI (VAB) D type and later

[Introduction]

Thank you for purchasing the SRD steering switch case. Be sure to read the instruction manual before installing this product on your vehicle.

Please read the instruction manual (this document) carefully and understand its contents before installing. Also, do not allow other people to use this product or the vehicle in which it is installed.

When lending or transferring the product, be sure to give the instruction manual (this document).

- Some buttons may not work depending on the grade or equipment.

- For vehicles that drive on circuits, etc., please use adhesive etc. when installing. (as needed)
- We are not responsible for any problems caused by installation or handling.
- As the work uses various tools, please be careful not to get injured.
- Proceed with the work with the steering wheel and front wheels running straight.
- Work in a place suitable for work (a flat, safe place with plenty of space).

[Handling precautions]

- We are not responsible for any defects caused by installation or handling that do not follow the instructions.
- If the case is disassembled or modified, it is not covered by the warranty.

[Precautions during work]

- Before installation, please check the screws, bolts, and clip opening holes, temporarily fit the product to the vehicle, and adjust each part.
- Proceed with installation by temporarily tightening the screws in each part, and then fully tighten them at the end.
- We cannot accept returns of products that have been fully installed.

Please be sure to check whether there are any defects in the product at the time of temporary fitting.

*For installation, please install it correctly at a specialized shop etc.

*If you have any other questions regarding the handling of this product, please contact us.

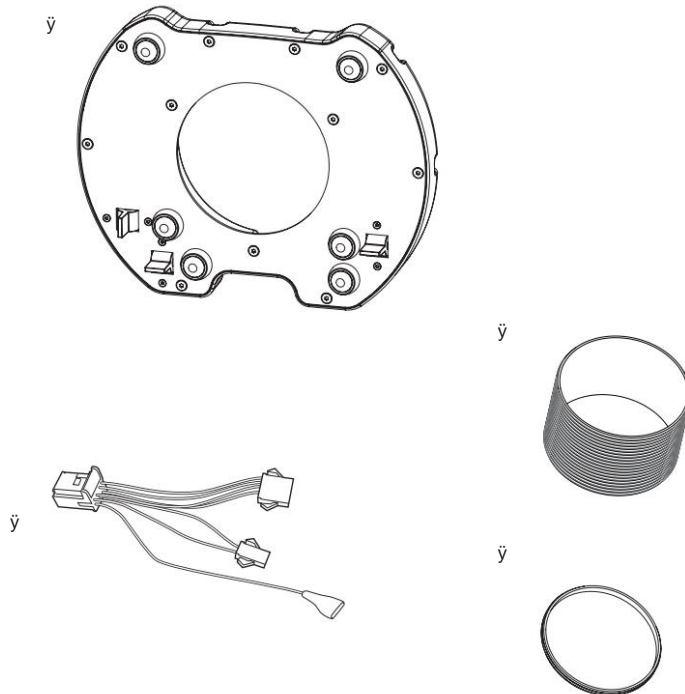
⚠ Before starting work, disconnect the (-) terminal of the battery and wait for about 10 minutes.

⚠ For installation, our steering boss (sold separately) is required. *1

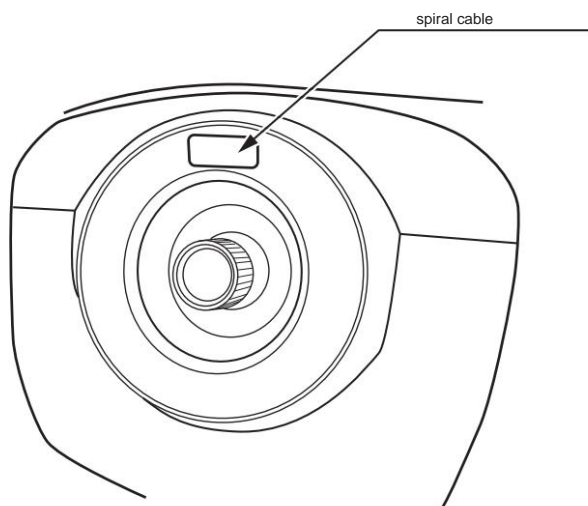
⚠ If an aftermarket steering wheel is already installed, please remove it.

*1 For installation of the steering boss, please refer to the instruction manual of the steering boss.

Component part



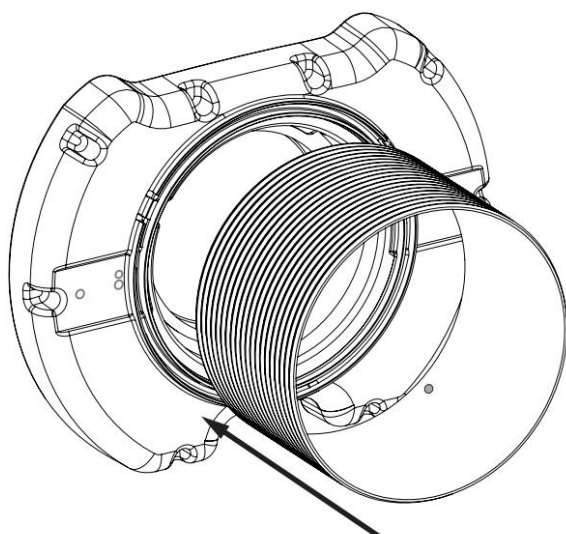
NO.	Product name	quantity
ÿ	Steering switch case ÿ	1
	12 pin connector	1
ÿ	cover (long)	1
ÿ	Cover (short)	1



Introduction

Before starting work, please read this manual carefully, check that all accessories are included, and be sure to follow all instructions and precautions.

Remove the connector from the spiral cable and plug in the 12-pole connector that comes with this product.



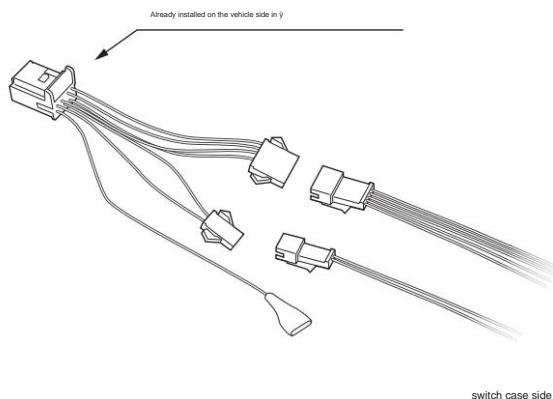
Place the included cover on the back of the steering switch case. Please put it on.

*For short boss type, use a short cover.

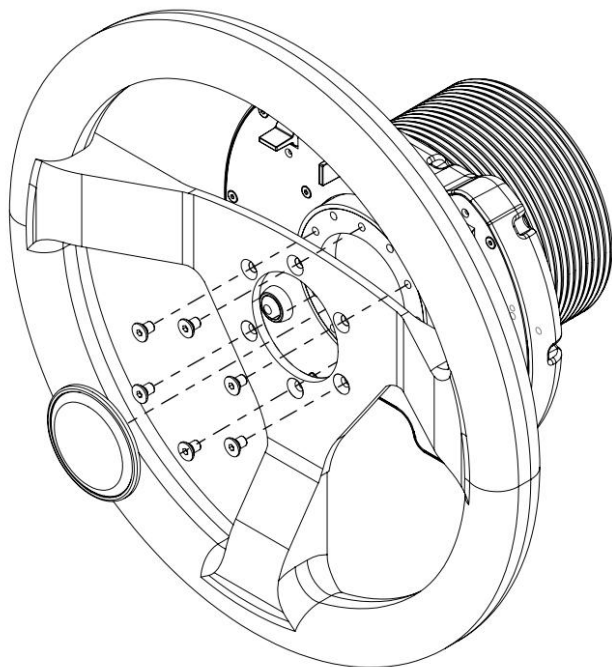
- ⚠ Please put it in the direction marked on the inside of the cover.
- ⚠ If it is loosely attached, please fix it with double-sided tape, etc.

Once everything is installed on the vehicle, check that there is no contact between the cover and the vehicle column cover. If there is, use scissors, a cutter knife, etc. to cut it using the groove as a reference.

- ⚠ Be careful not to get hurt!



Attach the two types of connectors coming out of the 12-pole connector and the connector coming out of the steering switch case. (Those with the same code color)



ÿ Insert the steering switch case into the boss and Secure the tearing with screws.

*Screws are included with the boss.

- Insert the blue flat bullet that comes out from the 12-pole connector into the hole. (+).

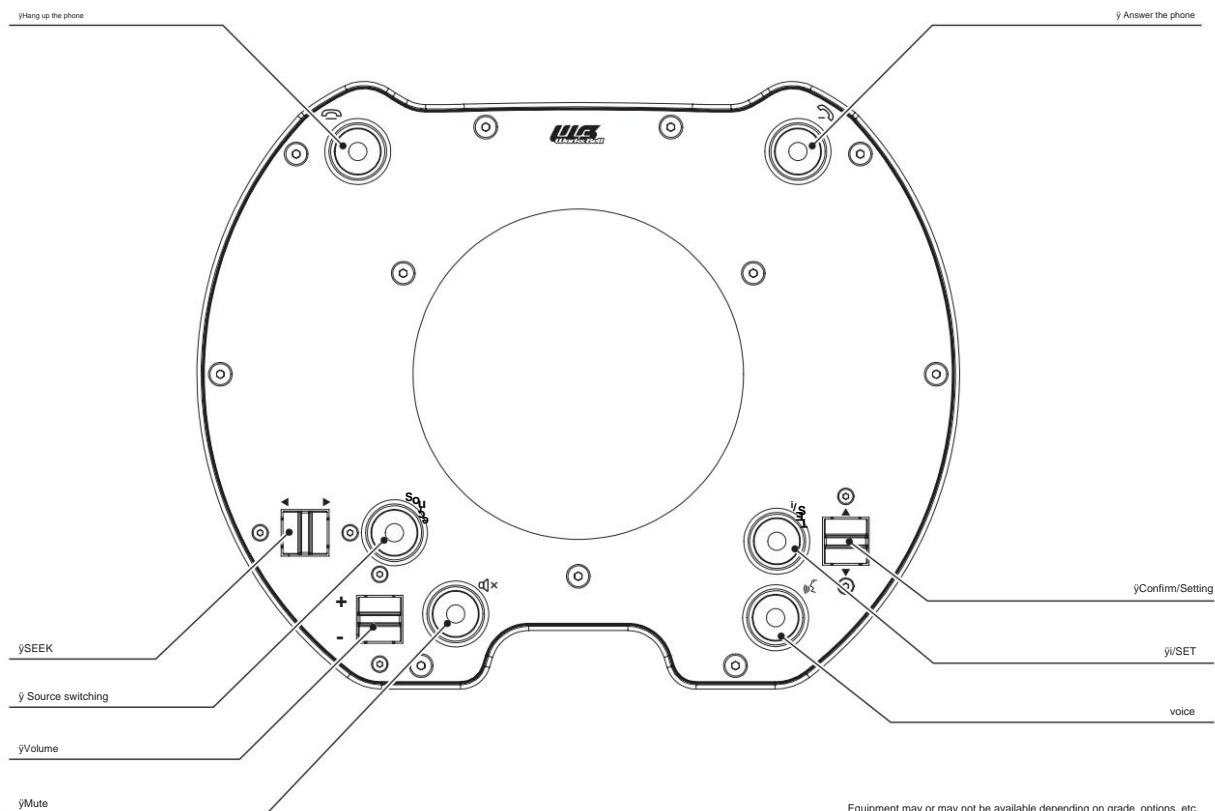
• Connect the battery and operate the steering switch Please check.

•If there is no abnormality in the operation check, fully tighten the steering wheel. Please take a look.

• Perform a test drive to confirm that there is no abnormality in steering operation. Please check and if there are no abnormalities, the work will be completed. Masu.

⚠ **If the steering boss has a cover,**
The cover is not used, so please remove it before installing.

ÿ Functional explanation



Equipment may or may not be available depending on grade, options, etc.

[Manufacturer] Works Bell Co., Ltd.

8507 Tamagawa, Chino City, Nagano Prefecture 391-0011

Contact: Works Bell Customer Center

TEL:0266-70-1477 E-mail:support@worksbell.co.jp

E-mail



Works Bell