

RESISTANCE BAND ANCHOR

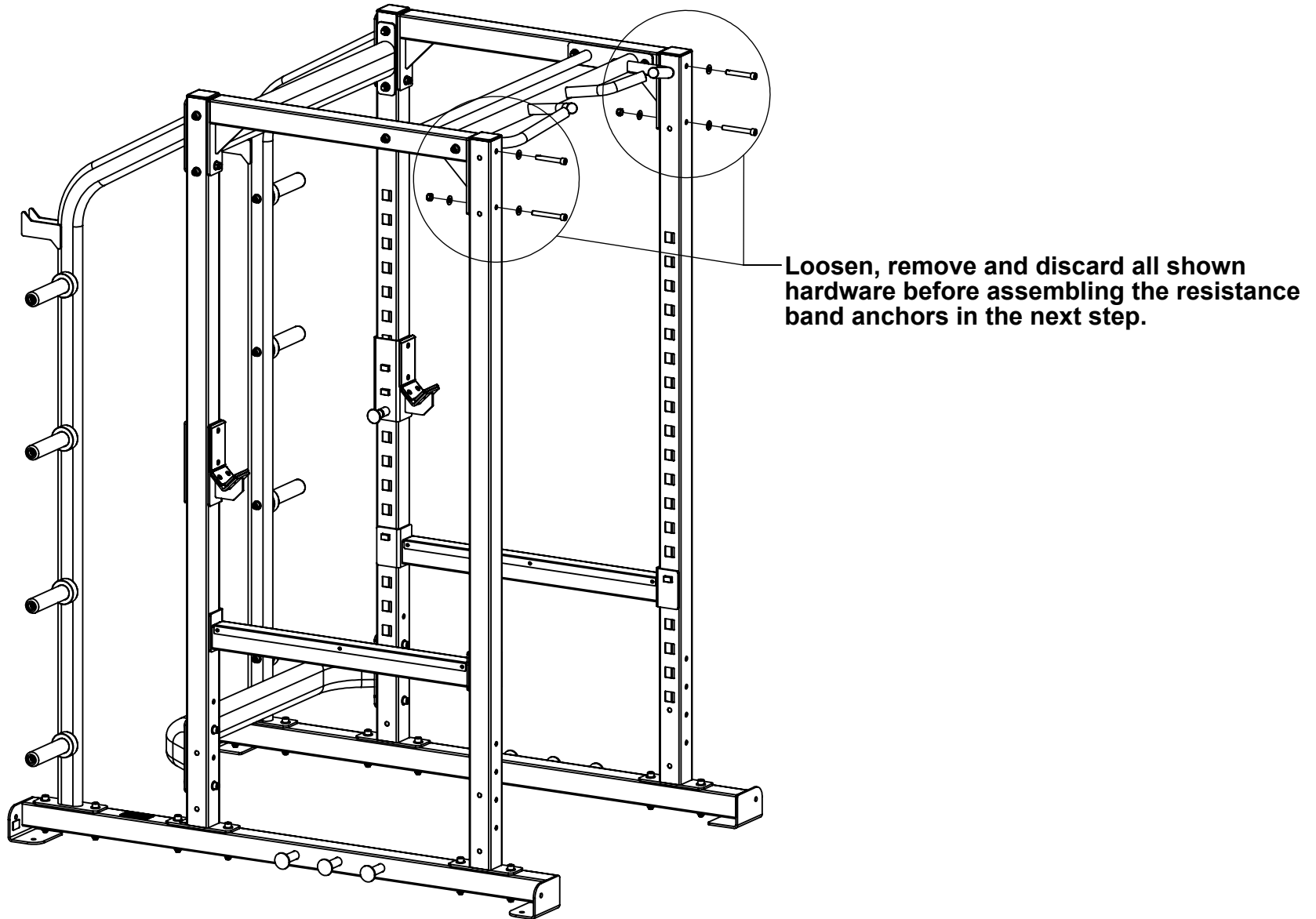
Assembly Guide

VERSION: RBA-101

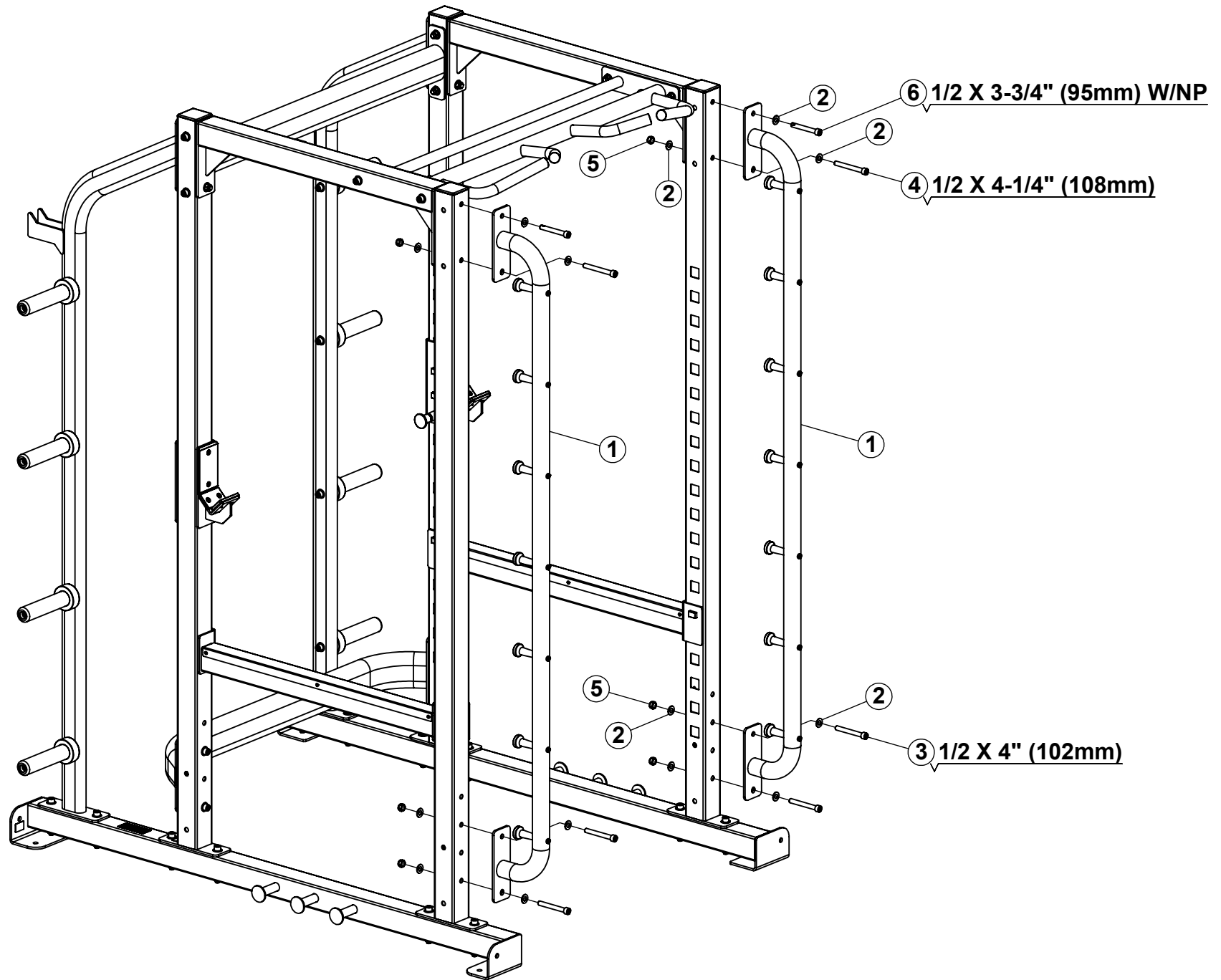
PART #: 5418501-A

| ITEM | QTY | PART NO | DESCRIPTION | ITEM | QTY | PART NO | DESCRIPTION |
|------|-----|---------|---------------------------------------|------|-----|---------|---|
| 1 | 2 | 54332PA | PTD ASSY, RESISTANCE BAND ANCHOR | 4 | 2 | 2005816 | BOLT, 1/2-13 X 4-1/4" (108mm) SOCKET HEAD |
| 2 | 14 | 2001301 | WASHER, FLAT 1/2 SAE ST ZN | 5 | 6 | 2001401 | NUT, 1/2-13 LK ST ZN |
| 3 | 4 | 2005815 | BOLT, 1/2-13 X 4" (102mm) SOCKET HEAD | 6 | 2 | 2006814 | BOLT, 1/2-13 X 3-3/4" (95mm) SOCKET HEAD W/NP |

STEP 1



STEP 2



Securely tighten all bolt connections.

