

GROUND ROTATIONAL TRAINER

Assembly Guide

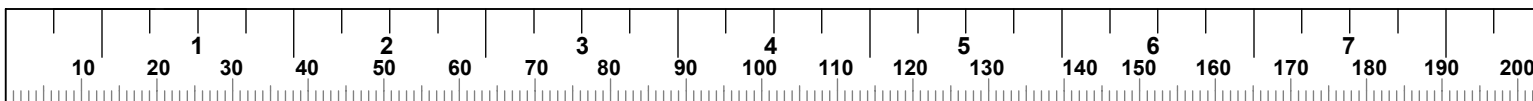
VERSION: GRT-101

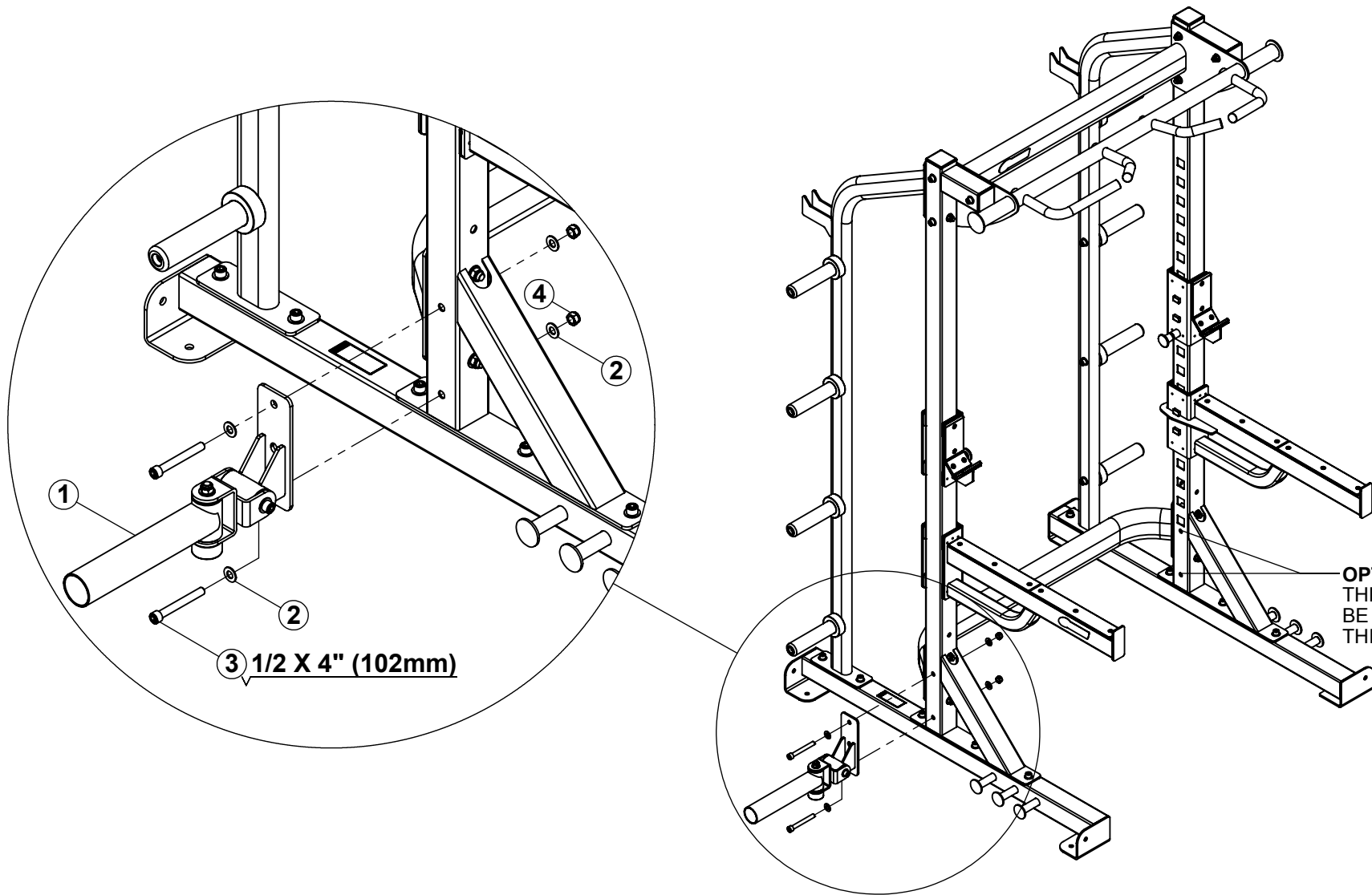
PART #: 5433801-B

ITEM	PART NO	DESCRIPTION	QTY
1	5432601	ASSY, GROUND ROTATIONAL TRAINER	1
2	2001301	WASHER, FLAT 1/2 SAE ST ZN	4
3	2005815	BOLT, 1/2-13 X 4" (102mm) SOCKET HEAD	2
4	2001401	NUT, 1/2-13 LK ST ZN	2
5	2005814	BOLT, 1/2-13 X 3-3/4" (95mm) SOCKET HEAD	2

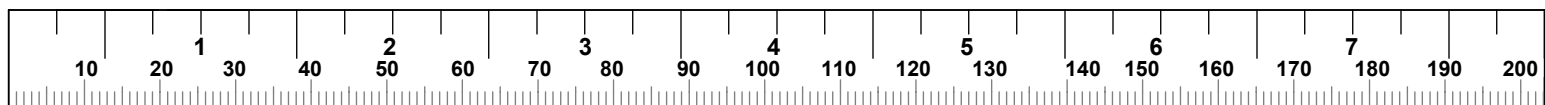
Assembly Instructions:

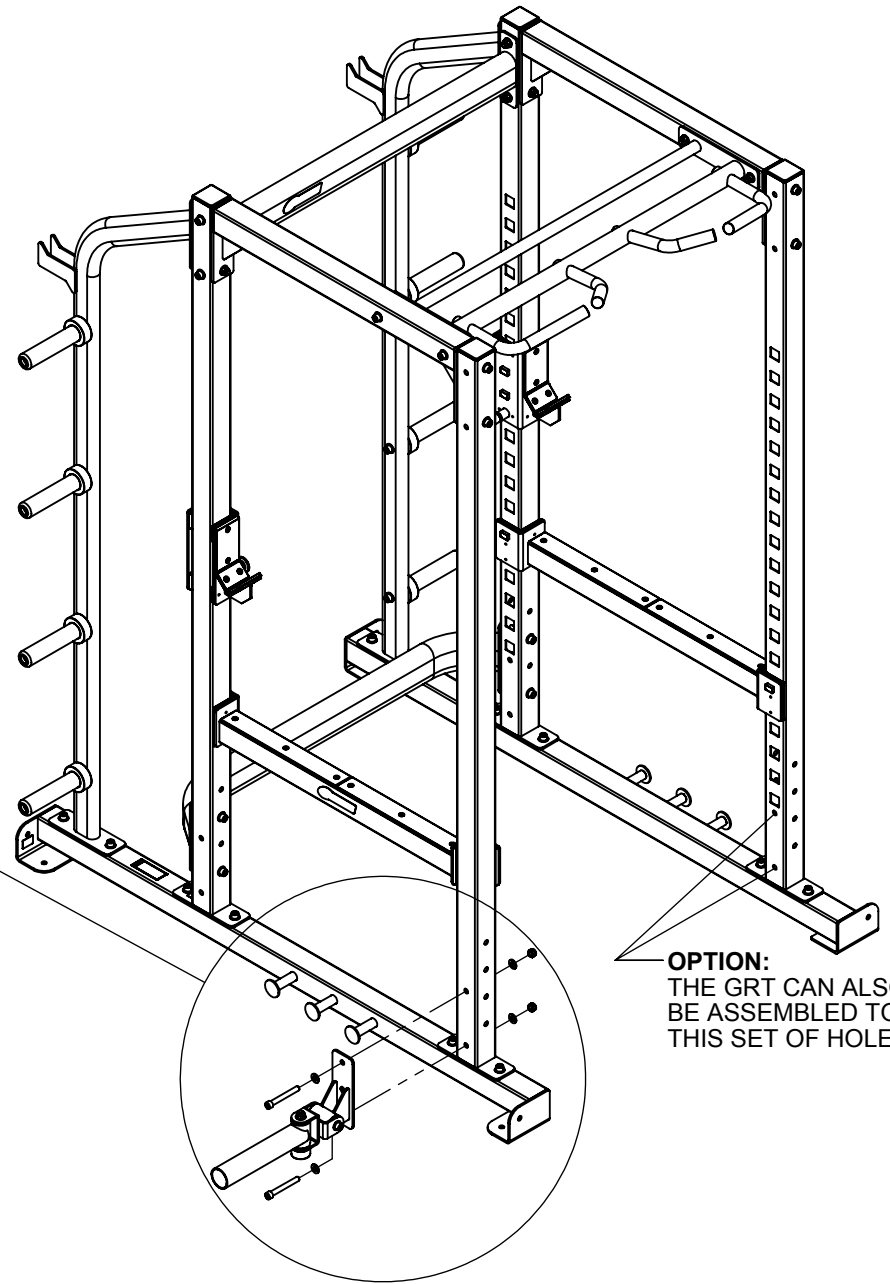
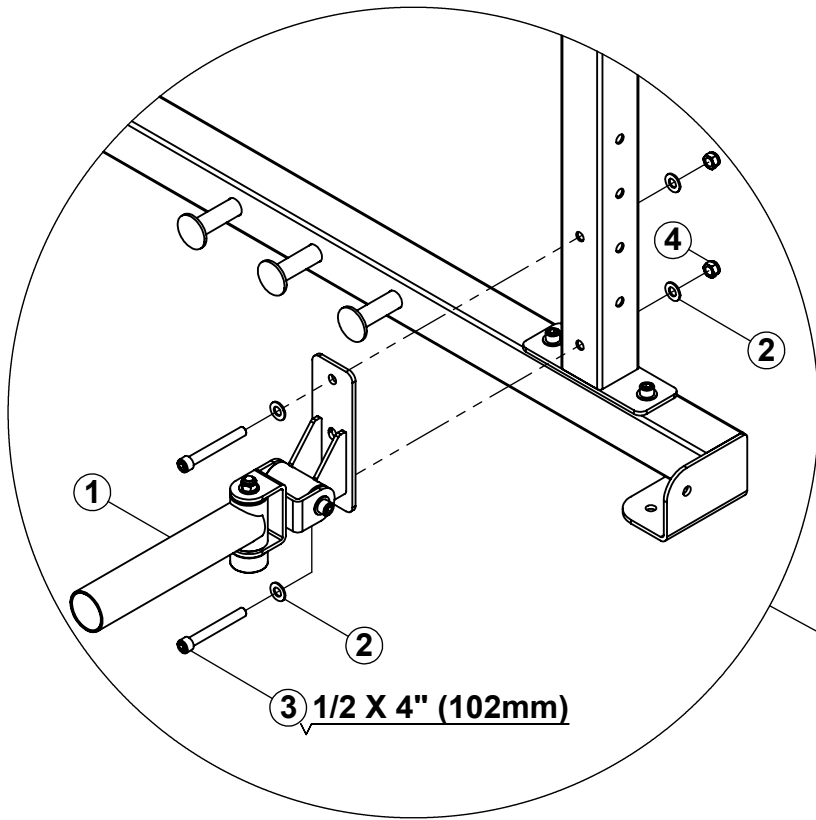
- **To assemble GRT to the HC refer to pages 3**
- **To assemble GRT to the PC refer to pages 4 - 5**
- **To assemble GRT to the XLAB refer to page 6**
- **To assemble GRT to the XRACK refer to page 7**
- **To assemble GRT to the WARRIOR ELITE refer to page 8**



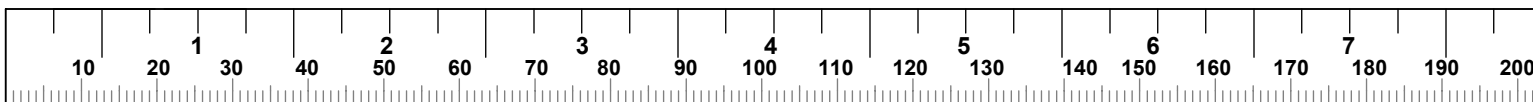


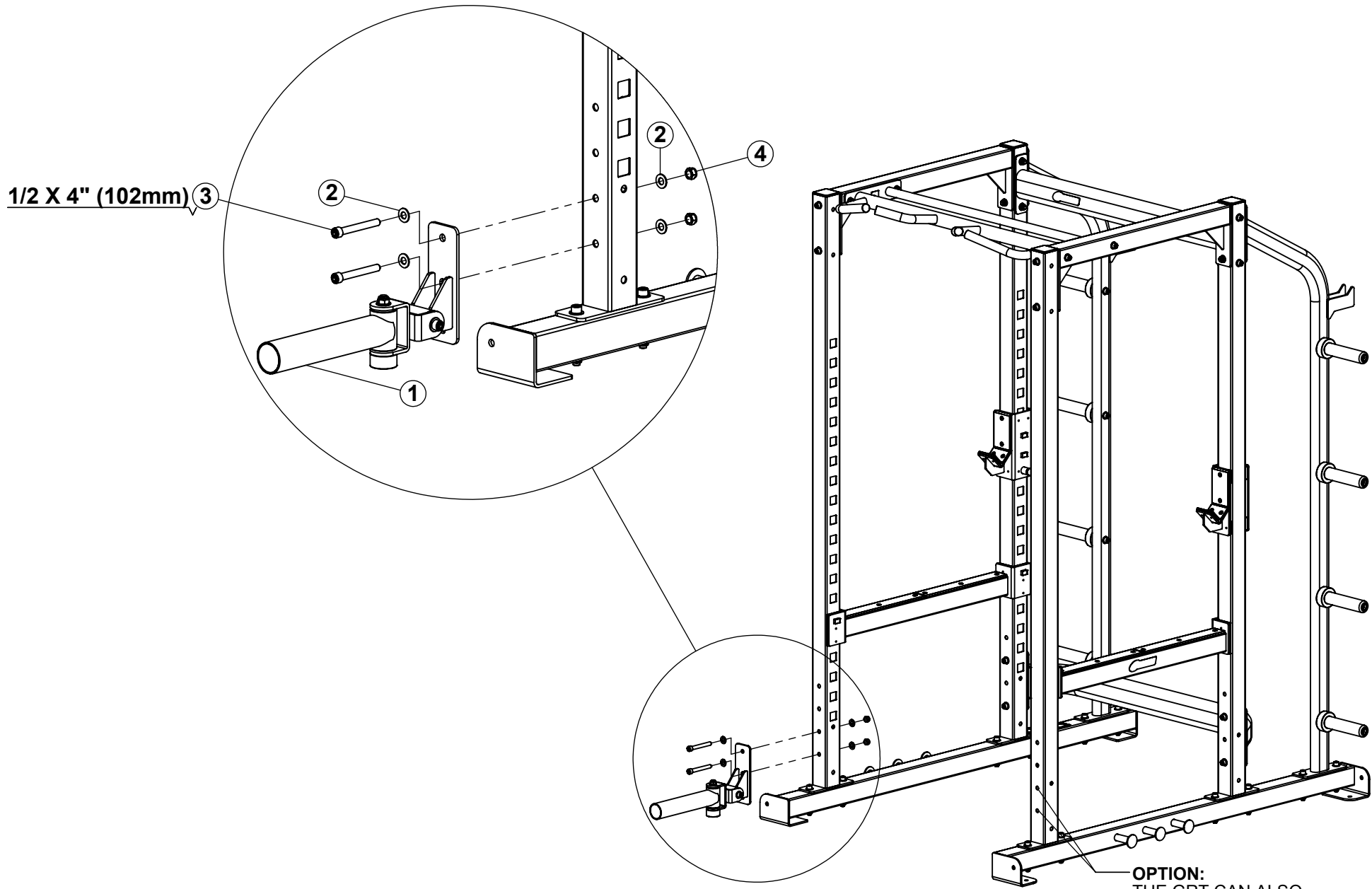
SECURELY tighten all bolt connections.



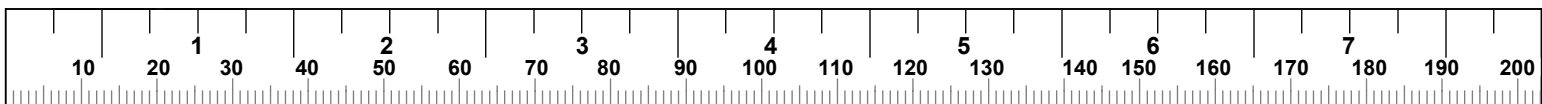


SECURELY tighten all bolt connections.

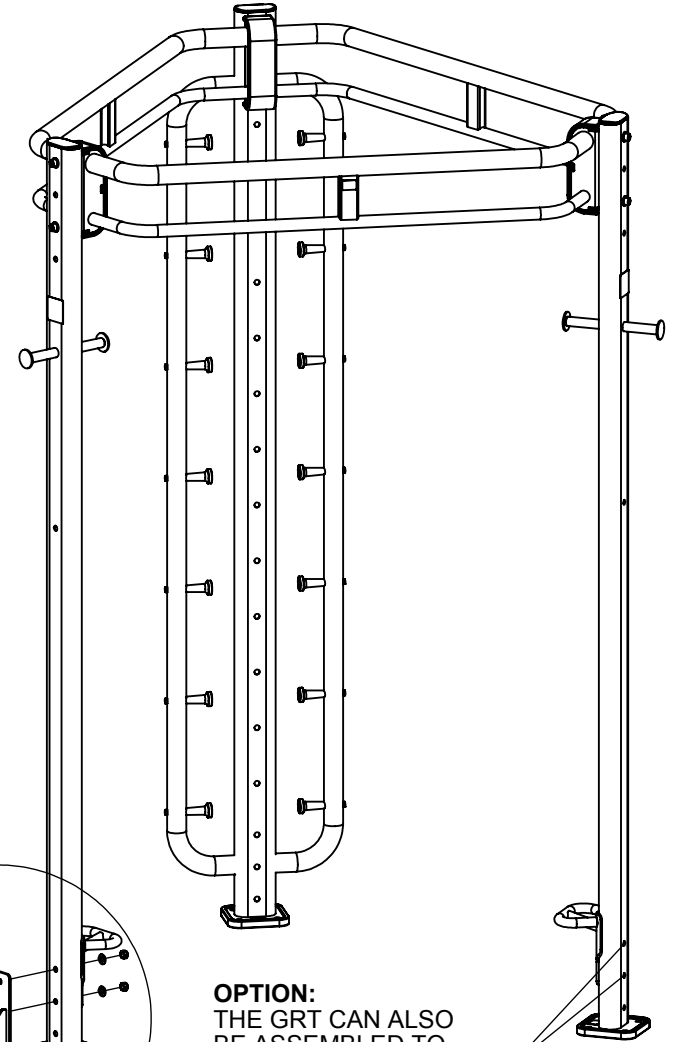
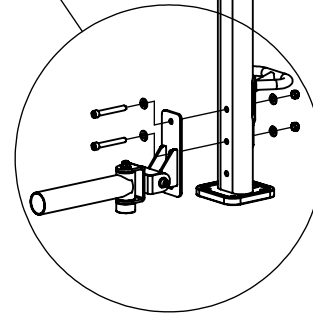
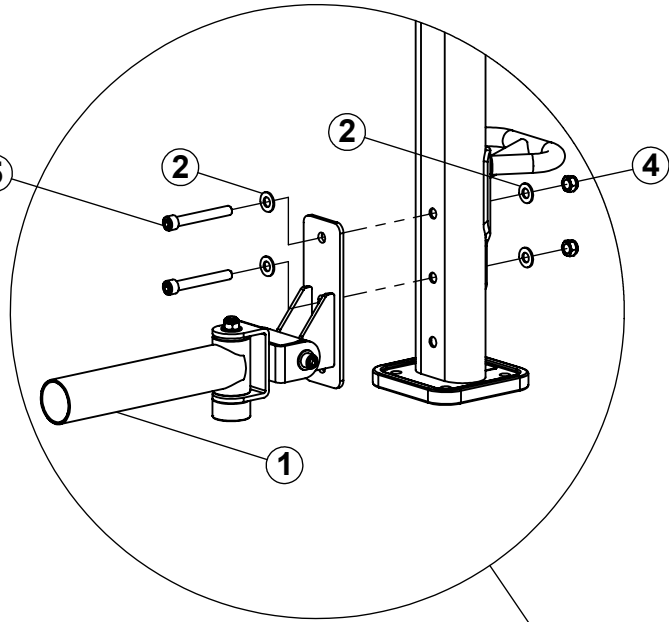




SECURELY tighten all bolt connections.

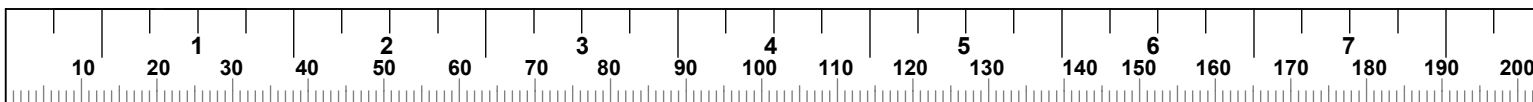


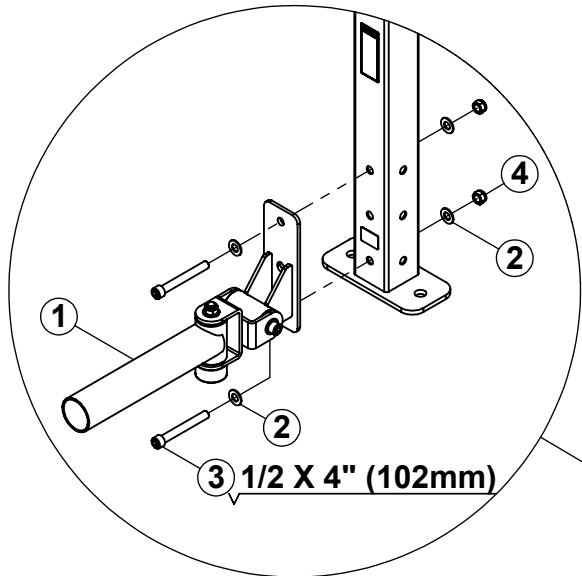
1/2 X 3-3/4" (95mm) 5



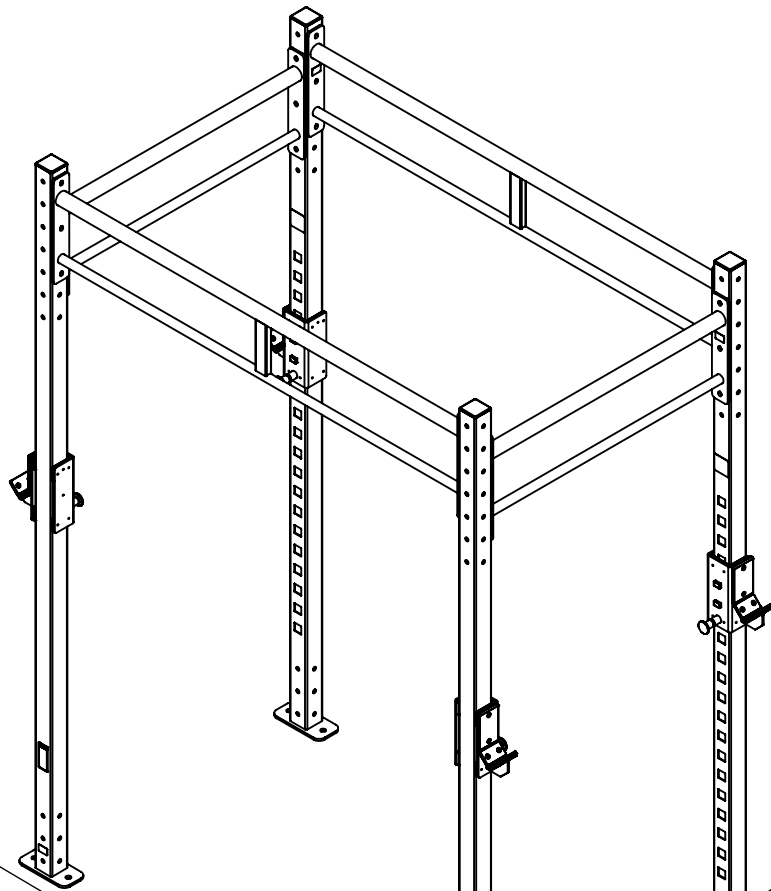
OPTION:
THE GRT CAN ALSO
BE ASSEMBLED TO
THIS SET OF HOLES

SECURELY tighten all bolt connections.

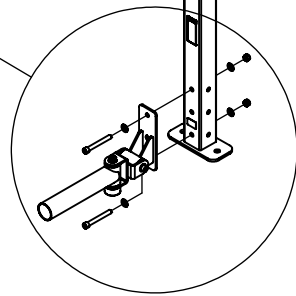




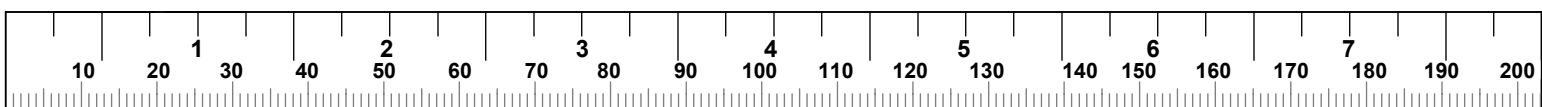
3 1/2 X 4" (102mm)

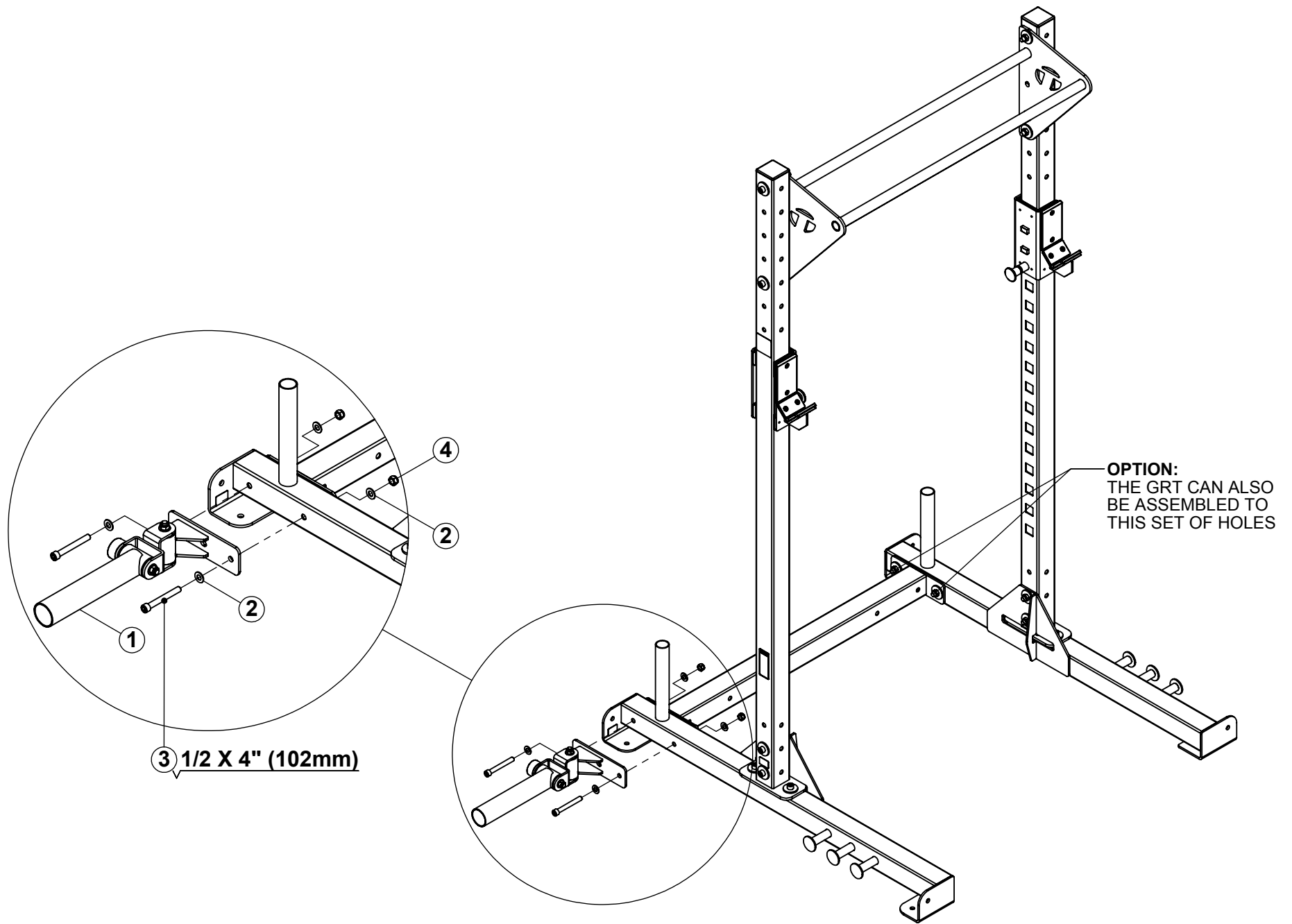


OPTION:
THE GRT CAN ALSO
BE ASSEMBLED TO
THIS SET OF HOLES



SECURELY tighten all bolt connections.





SECURELY tighten all bolt connections

