

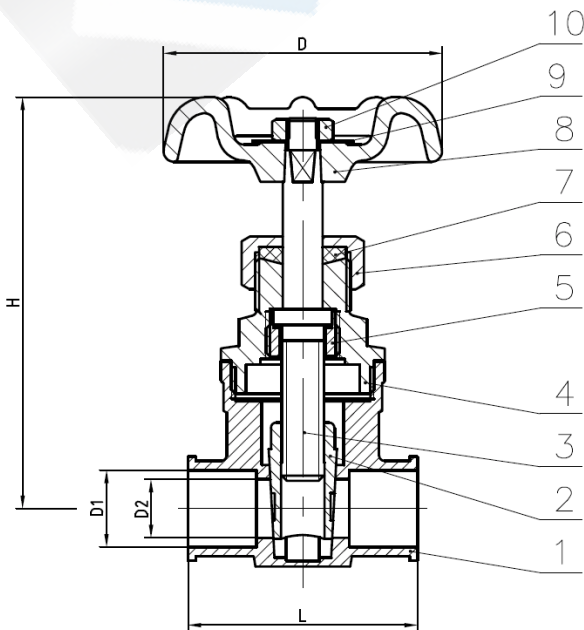
FIG. NL-102C:

CLASS 200 LEAD FREE BRASS GATE VALVE REDUCE PORT SOLDER JOINT ENDS SCREW-IN BONNET RISING STEM SOLID WEDGE



Features:

- Max Pressure Rating:200 PSI WOG
- Max Temp Rating:120° C
- Lead Free Brass
- Forged brass body (From ½" to 2"),
Cast brass body (From 2 ½" to 4")
- Reduce Port
- PTFE Packing
- Grey Cast Iron Hand Wheel
- Solder End Conform to ASME B16.18
- UPC/NSF/AB1953 Certified by Third Party



Materials:

No.	Part Name	Specification
1	Body	Brass
2	Disc	Brass
3	Stem	Brass
4	Bonnet	Brass
5	Lock Nut	Brass
6	Nut	Brass
7	Gland Packing	PTFE
8	Handwheel	Cast Iron
9	Name Plate	AL
10	Nut	Q235

Dimension:

Size	Ø D	H	L	Ø D1	Ø D2
½"	53	67	43.3	16	13
¾"	53	74	56	22.3	17
1"	59	81	66	28.7	19.5
1 ¼"	78	93	74	35	28
1 ½"	78	109	80	41.4	34
2"	78	133	93	54.1	43.5
2 ½"	97	151	112	66.8	56
3"	108	171	125	79.5	66
4"	126	208	160	104.9	86