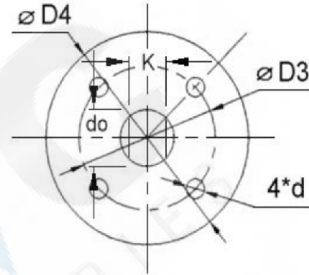


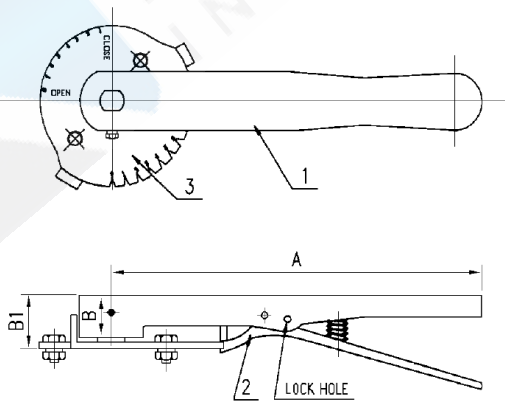
Manual Operators for the KVC 1000/2000/4000 Series Butterfly Valve

Lever Handle

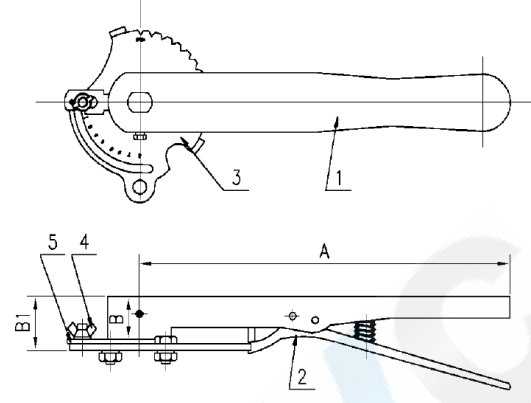


| Item | Part Name |
|------|----------------|
| 1 | Handle |
| 2 | Lever |
| 3 | Notch plate |
| 4 | Locking nut |
| 5 | Throttle plate |

10 Position Lever



Infinite Position Lever



Dimensions:

| Size | | A | | B | | B1 | | D3 | | D4 | | 4*d | | do | K | Weight | |
|------|-----|------|-------|------|----|------|----|------|-----|------|-----|------|----|-------------|----|--------|------|
| in | mm | in | mm | in | mm | in | mm | in | mm | in | mm | in | mm | mm | mm | lb | kg |
| 1½ | 40 | 10.5 | 266.7 | 1.06 | 27 | 1.37 | 35 | 2.76 | 70 | 3.54 | 90 | 0.39 | 10 | 12.6±0.025 | 10 | 1.87 | 0.85 |
| 2 | 50 | 10.5 | 266.7 | 1.06 | 27 | 1.37 | 35 | 2.76 | 70 | 3.54 | 90 | 0.39 | 10 | 12.6±0.025 | 10 | 1.87 | 0.85 |
| 2½ | 65 | 10.5 | 266.7 | 1.06 | 27 | 1.37 | 35 | 2.76 | 70 | 3.54 | 90 | 0.39 | 10 | 12.6±0.025 | 10 | 1.87 | 0.85 |
| 3 | 80 | 10.5 | 266.7 | 1.06 | 27 | 1.37 | 35 | 2.76 | 70 | 3.54 | 90 | 0.39 | 10 | 12.6±0.025 | 10 | 1.87 | 0.85 |
| 4 | 100 | 10.5 | 266.7 | 1.06 | 27 | 1.37 | 35 | 2.76 | 70 | 3.54 | 90 | 0.39 | 10 | 15.77±0.025 | 12 | 1.87 | 0.85 |
| 5 | 125 | 10.5 | 266.7 | 1.06 | 27 | 1.37 | 35 | 2.76 | 70 | 3.54 | 90 | 0.39 | 10 | 18.92±0.025 | 14 | 1.87 | 0.85 |
| 6 | 150 | 10.5 | 266.7 | 1.06 | 27 | 1.37 | 35 | 2.76 | 70 | 3.54 | 90 | 0.39 | 10 | 18.92±0.025 | 14 | 1.87 | 0.85 |
| 8 | 200 | 14.2 | 361 | 1.41 | 36 | 1.73 | 44 | 4.02 | 102 | 4.92 | 125 | 0.47 | 12 | 22.10±0.025 | 17 | 4.4 | 2 |
| 10 | 250 | 19.6 | 499 | 1.41 | 36 | 1.73 | 44 | 4.02 | 102 | 4.92 | 125 | 0.47 | 12 | 28.45±0.025 | 22 | 5.94 | 2.7 |
| 12 | 300 | 19.6 | 499 | 1.41 | 36 | 1.73 | 44 | 4.02 | 102 | 4.92 | 125 | 0.47 | 12 | 31.60±0.051 | 24 | 5.94 | 2.7 |