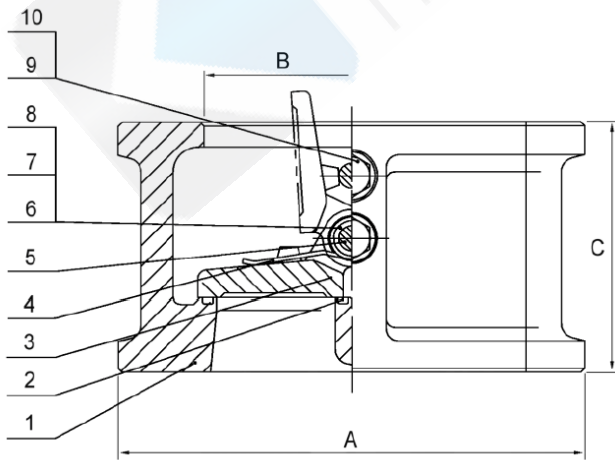


FIG. DC-750:

CLASS 150 WAFER STYLE DUAL DOOR



Features:

- Economical, lightweight, compact design – significantly lighter and less expensive than comparable swing check valves.
- Easy to install and maintain.
- Smooth, spring assisted closing reduces water hammer.
- Long-legged springs allow plates to open/close without seat scrubbing.
- Rugged Inconel X-750 spring is standard in all steel & stainless steel valves.
- Innovative 316SS seat, standard in all WCB metal seated valves, combined with standard 316SS plates provides a true all stainless steel seating area.
- All WCB & 316SS valves conform to NACE MR-01-75. Manufactured to API 594 & tested to API 598.

Materials List:

No.	Part Name	WCB/316SS	316SS/316SS
1	Body	A216 - WCB	A351 CF8M
2	Seat	316SS or Viton	316SS or Viton
3	Disc	316SS	316SS
4	Spring	INCONEL X-750	INCONEL X-750
5	Pin shaft	316SS	316SS
6	End hold ring	316SS	316SS
7	Centre hold ring	316SS	316SS
8	Spring seat	316SS	316SS
9	Washer	316SS	316SS
10	Screw	316SS	316SS

Note:

Valve must be installed with disc hinge pin in the vertical position, to ensure proper operation

Dimensions:

Size		Class	B		A		C		Weight	
in	mm		in	mm	in	mm	in	mm	lb	kg
2	50	150	2.375	60.3	4.125	105	2.375	60.5	6	2.7
		300	2.375	60.3	4.125	111	2.375	60.5	7	3.2
		600	2.375	60.3	4.375	111	2.375	60.5	7	3.2
		900	2.375	60.3	4.375	143	2.75	69.85	14	6.4
		1500	2.375	60.3	5.625	143	2.75	69.85	14	6.4
		2500	2.375	60.3	5.75	146	2.75	69.85	15	6.8
2 ½	65	150	2.875	73	4.875	124	2.62	66.55	10	4.5
		300	2.875	73	5.125	130	2.62	66.55	11	5
		600	2.875	73	5.125	130	2.62	66.55	11	5
		900	2.875	73	6.5	165	3.25	83	16	7.3
		1500	2.875	73	6.5	165	3.25	83	16	7.3
		2500	2.875	73	6.625	168	3.25	83	22	10

Dimensions:

Size		Class	B		A		C		Weight	
in	mm		in	mm	in	mm	in	mm	lb	kg
3	80	150	3.5	88.8	5.375	137	2.875	73.15	13	5.9
		300	3.5	88.8	5.875	149	2.875	73.15	15	6.8
		600	3.5	88.8	5.875	149	2.875	73.15	15	6.8
		900	3.5	88.8	6.625	168	3.25	82.55	24	10.9
		1500	3.5	88.8	6.875	174.6	3.25	82.55	25	11.3
4	100	2500	3.5	88.8	7.75	197	3.375	85.85	31	14.1
		150	4.5	114.8	6.875	175	2.875	73.15	17	7.7
		300	4.5	114.8	7.125	181	2.875	73.15	18	8.2
		600	4.5	114.8	7.625	194	3.12	79.25	26	11.8
		900	4.5	114.8	8.125	206.4	4	101.6	40	18.1
5	125	1500	4.5	114.8	8.25	209.6	4	101.6	43	19.5
		2500	4.5	114.8	9.25	235	4.12	104.7	54	24.5
		150	5.62	142.8	7.75	197	3.38	86	27	12.2
		300	5.62	142.8	8.5	216	3.38	86	35	15.9
		600	5.62	142.8	9.5	241	4.125	105	50	22.7
6	150	150	6.625	168	8.75	222	3.875	98.55	35	16
		300	6.625	168	9.875	251	3.875	98.55	45	20
		600	6.625	168	10.5	267	5.375	136.7	80	36
		900	6.625	168	11.38	289	6.25	158.8	115	52
		1500	6.625	168	11.13	282.6	6.25	158.8	110	50
		2500	6.625	168	12.5	318	6.25	158.8	190	86
		150	8.625	219.3	11	279	5	127	70	32
8	200	300	8.625	219.3	12.13	308	5	127	82	37
		600	8.625	219.3	12.64	321	6.5	165.1	135	61
		900	8.625	219.3	14.13	358.8	8.125	206.3	229	104
		1500	8.625	219.3	13.88	352.4	8.125	206	219	99
		2500	8.625	219.3	15.25	387	8.125	206	285	129
		150	10.75	273.1	13.38	340	5.75	146	106	48
10	250	300	10.75	273.1	14.25	362	5.75	146	125	57
		600	10.75	273.1	15.75	400	8.375	212.9	238	108
		900	10.75	273.1	17.13	435	9.5	241.3	388	176
		1500	10.75	273.1	17.13	435	9.75	247.7	397	180
		2500	10.75	273.1	18.75	476	10	254	502	228
12	300	150	12.75	324	16.13	410	7.12	180.8	172	78
		300	12.75	324	16.13	422	7.12	180.8	200	91
		600	12.75	324	18	457	9	228.6	333	151
		900	12.75	324	19.63	498.5	11.5	292.1	540	245
		1500	12.75	324	20.5	520.7	12	305	725	329
14	350	2500	12.75	324	21.63	549	12	305	963	437
		150	14	355.6	17.75	451	7.25	184.2	200	91
		300	14	355.6	19.13	486	8.75	222.3	325	147
		600	14	355.6	19.38	492	10.75	273	455	206
		900	14	355.6	20.5	520.7	14	355.6	**	**
16	400	1500	14	355.6	22.75	577.9	14	355.6	**	**
		150	16	406	20.25	514	7.5	190.5	275	125
		300	16	406	21.25	540	9.12	213.6	415	188
		600	16	406	22.25	565	12	304.8	640	290
		900	16	406	22.63	574.7	15.12	384	**	**
18	450	1500	16	406	25.25	641	15.12	384	**	**
		150	17	433	21.63	549	8	203.2	315	143
		300	17	433	23.5	597	10.38	263.6	555	252
		600	17	433	24.13	613	14.25	362	890	404
		900	17	433	25.13	638.2	17.75	450.9	1318	598
20	500	1500	18	457	27.75	705	18.44	468	**	**
		150	20	508	23.88	606	8.62	219	435	197
		300	20	508	25.75	654	11.5	292.1	725	329
		600	20	508	26.88	683	14.5	368.3	1120	508
		900	17	433	25.13	638.2	17.75	450.9	1426	647
24	600	150	24	610	28.25	718	8.75	222	620	281
		300	24	610	30.5	775	12.5	318	1100	499
		600	24	610	31.13	791	17.25	438	2040	925
30	750	150	30	762	34.75	883	13	330	1230	558
		300	30	762	37.5	953	15.69	398	2050	930
36	900	150	36	915	41.25	1048	15.25	387	2017	915