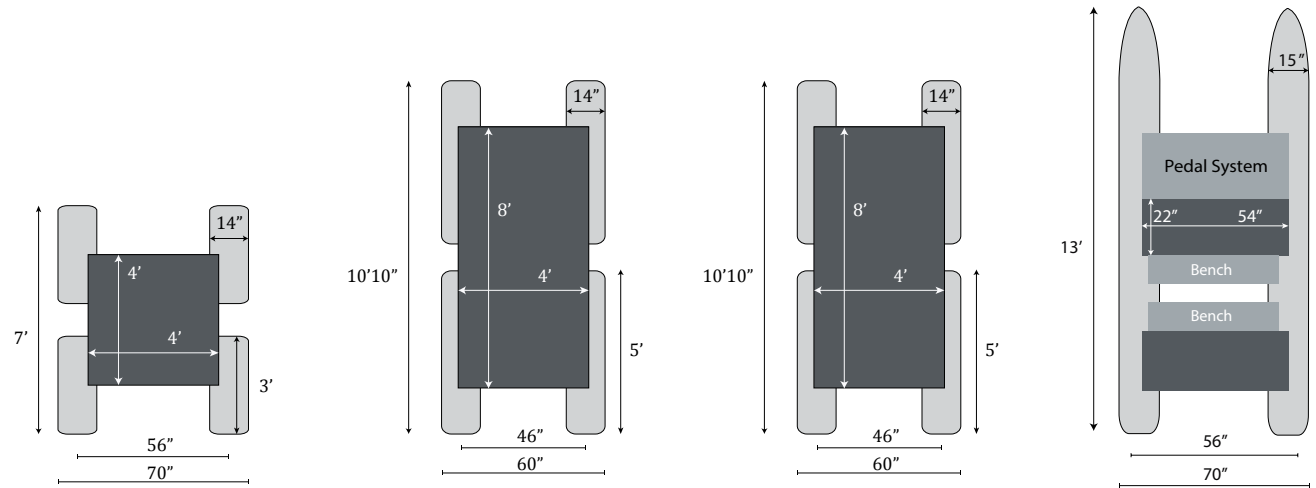


Mini Pontoon Boats



*Which pontoon boat is right for you?
With models from 6'-13', we've got you covered!*

These boats may be miniature in size, but they are giants in fun and innovation. The Pond King mini-pontoon boats are all designed so we can ship them to you free. And, once assembled, you'll have a great little fishing pond jumper. The Aqua Cycle by American Pleasure Products is an awesome way to make memories with your family for years to come. Use this handy little comparison chart to help you decide which of our mini-boats will best suit your needs and bring you the most pleasure!



	REBEL	DO-IT-YOURSELF BOAT KIT	PATRIOT	AQUACYCLE II
PONTOON DIAMETER	14"	14"	14"	15"
PONTOON THICKNESS	.080"	.080"	.080"	.080"
DECK AREA	16 sq ft	32 sq ft	32 sq ft	NA
SEAT CAPACITY	1	2	2	4
SEATS INCLUDED	0	0	2	2 Benches
WEIGHT CAPACITY	400 lbs	650 lbs	650 lbs	800 lbs
MOTOR HP CAPACITY	Electric Only	Electric Only	Electric Only	Pedal Drive
BOAT WEIGHT	150 lbs	280 lbs	220 lbs	286 lbs
TRAILER WEIGHT <i>(Trailer not included)</i>	NA	NA	200 lbs	335 lbs
LENGTH ON TRAILER	-	-	17'6"	18'2"
BASE PRICE	\$1,399	True DIY Boat Kit - \$999 Build Your Own Boat Plus - \$1,499 Minimal Assembly - \$1,999	\$2,599	\$4,849

Prices do not include Tax, Title, and License Fees. Pricing effective May 2019. Subject to change with or without notice. Boat drawings are not to scale.