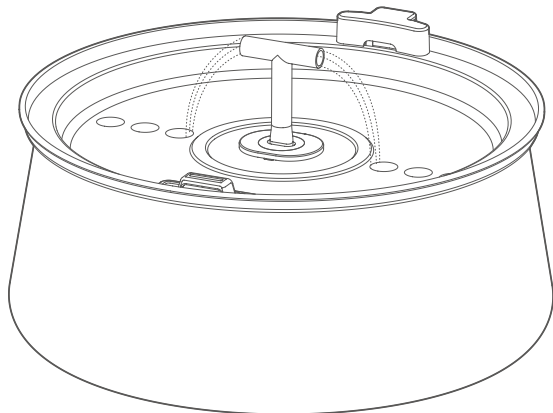


iPettie



Rotunda



4 L Stainless Steel Pet Water Fountain

User Manual

Failure to heed these instructions may lead to the product being damaged or personal injury. Please follow the instructions for proper use!

Contents

SAFETY INFORMATION	02
PRODUCT SPECIFICATION	04
WHAT'S IN THE BOX	04
PRODUCT OVERVIEW	05
USE INSTRUCTION	06
CARE INSTRUCTIONS	08

SAFETY INFORMATION

WARNING

- Dispose of all packaging materials properly, keeping the plastic bags away from children and pets, as the bags could cause suffocation.
- To avoid injury, please closely supervise children near the appliance.
- Do NOT allow children to play with, in, or around the pet water fountain.
- Do NOT use the water fountain with pets who are unable to reach the water tray or pets with any physical disabilities.
- Do NOT place any foreign objects in the water tank.
- Do NOT disassemble the pet fountain, unless instructed to do so by this User Manual.
- Do NOT use the pet fountain for anything other than its intended use.
- Do NOT operate any appliance if the unit is malfunctioning or has been damaged.
- Do NOT attempt repairs on the device yourself. Contact our customer service immediately for further instructions.
- Do NOT allow pets to chew on or swallow any parts. If you are concerned about the power cord, purchase a cord conduit (a hand-plastic protector) at any hardware store to protect the power cord.
- Do NOT install or store the pet water fountain where it will be exposed to weather or temperatures below 0 °C / 40 °F.
- Do NOT use the appliance in the bathroom.
- Do NOT modify the pet fountain. Only use attachments recommended or sold by the manufacturer. The use of other attachments may be a safety risk.

- To ensure safety, be sure to disconnect the power supply when the appliance is not in use or when removing parts and cleaning.
- Please disconnect the power supply before maintaining and cleaning the machine.
- The power adapter and wire plug cannot get wet during cleaning.
- This product is for indoor use only.
- Do NOT run this product without water.
- Never pull the electrical power cord to remove the plug from the wall outlet.
- If the plug gets wet while in an outlet, turn off the electricity to that wall outlet. Do NOT attempt to unplug.
- Do NOT plug in if there is water on the contact points or plug.
- To avoid tripping, always position the power cord out of the way of foot traffic.
- Change the filter every two (2) weeks or when the flow rate has noticeably reduced. For two or more cats, you may need to replace the filters more regularly, as they can become blocked.

Caution

- If an extension cord is necessary, use only one cord with a proper rating.
- Read and observe all important notices listed on the pet water fountain and in the packaging.

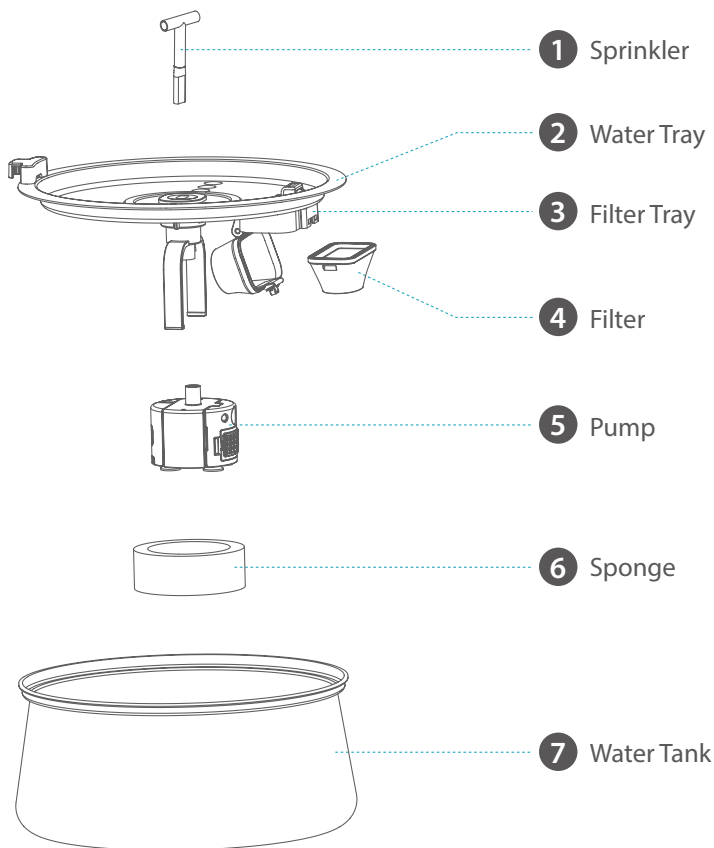
PRODUCT SPECIFICATION

Input Voltage	AC 100-240 V 50/60 Hz
Output Voltage	DC 5V 1A
Pump Specification	DC Water Pump
Power Consumption	1.5W
Water Capacity	4 L (135 oz)
Housing Material	Stainless Steel
Filter System	PP Cotton
	Activated carbon
	Ion-exchange resin
Product Dimensions	9.6" x 9.6" x 4.4"/245 x 245 x 113 mm
Product Weight	1.58 lb/0.72 kg

WHAT'S IN THE BOX

- 1 x Stainless Steel Pet Water Fountain
- 1 x DC Pump
- 1 x Filter
- 1 x Sponge
- 1 x Adapter
- 1 x Brush
- 1 x User Manual

PRODUCT OVERVIEW

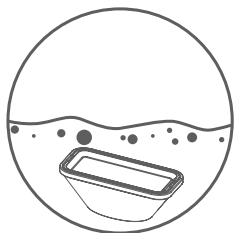


USE INSTRUCTION

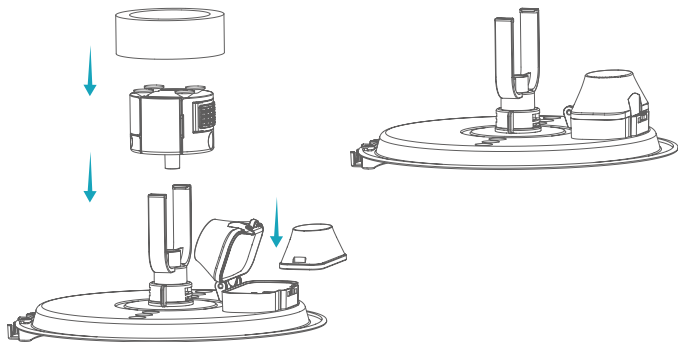
Step 1. Soak the filter in a clean bowl for five (5) minutes.

Notes:

- 1) The filter must be completely full of water before the fountain is turned on; otherwise, water may not flow through the filter smoothly, causing spillage.
- 2) Do not soak the filter in the fountain's water tank in case there is any surface dust.

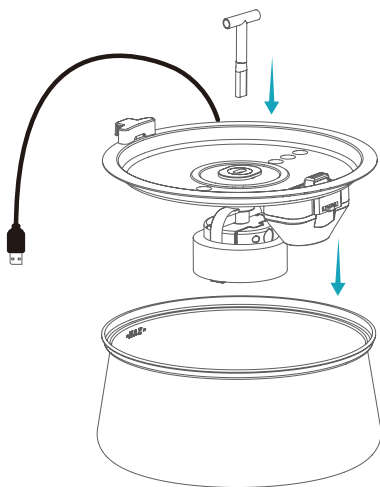


Step 2. Install the pump holder first, then put the pump into the sponge. Put the filter in the filter tray and close it.

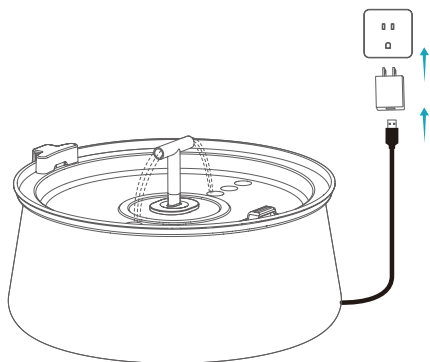


USE INSTRUCTION

Step 3. Assemble the water tray and Sprinkler in the order shown.



Step 4. Connect the power adapter.

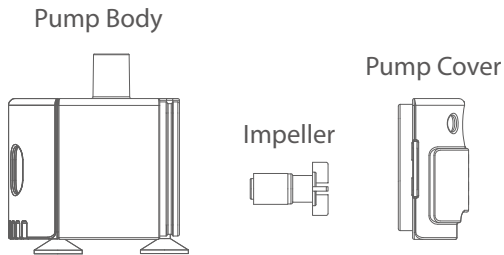


CARE INSTRUCTIONS

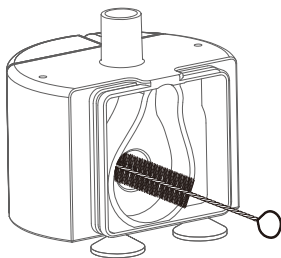
- 1) Replace the filter every month; replace the sponge every month.
- 2) Clean the pump and fountain every week.
- 3) To extend the pump's life, please add water before starting the machine.

How to clean the pump

- Remove the pump cover, then remove the impeller cover.



- Use the brush to clean the parts with water.



iPettie

MADE IN CHINA



This device complies with Part 15 of the FCC Rules.
Operation is subject to the following two conditions:
(1) this device may not cause harmful interference, and (2) this device must accept any interference received, including interference that may cause undesired operation.