

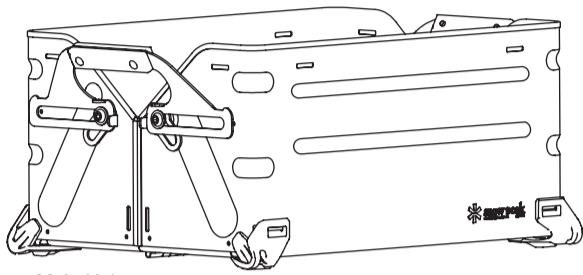


Instruction Manual : Ver 2.01

**UG-025G / UG-055G
Stacking Shelf Container 25 / 50**

Thank you for purchasing this Snow Peak product. This product is a storage container that can be easily transformed into shelving. In order to ensure your safety when using this product, please read the following instructions carefully before use. Please be sure to keep this document for future reference. If there is an item in the instructions that you do not understand, or if you find a fault in the product, stop use immediately and consult the store where you purchased this product or contact our User Service department.

Contents



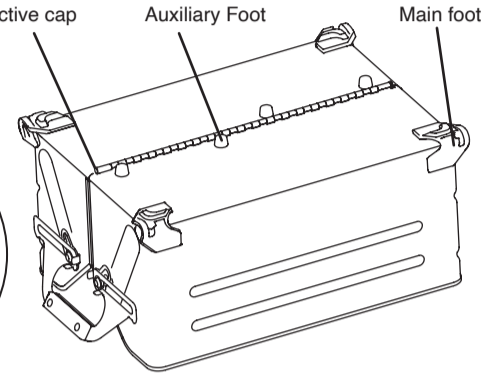
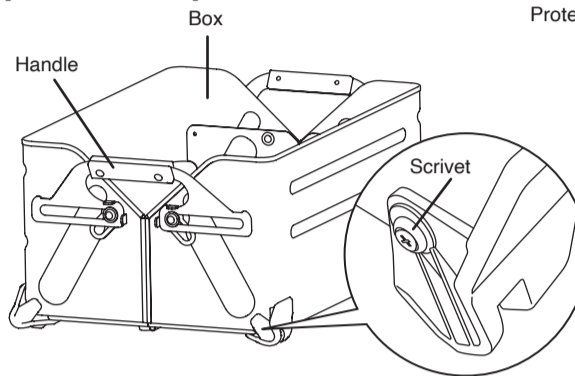
Main Unit x1

Instruction manual x1
(this document)



Parts

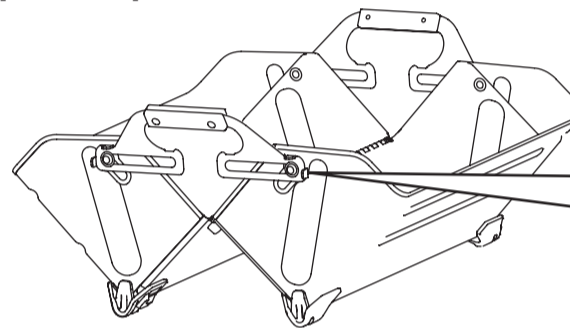
[Container state]



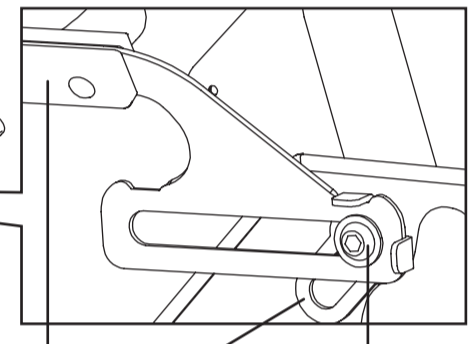
Specification

	Stacking Shelf Container 25	Stacking Shelf Container 50
Size	12.8x20.5x8.25in (325x520x210mm)	16x24.5x10.6in (405x625x270mm)
Interior dimensions	11.5x16x7.7in (290x405x195mm)	14.5x19.7x10in (370x500x255mm)
Weight	7.9lbs (3.6kg)	12.1lbs (5.5kg)
Materials	Main Unit: Stainless Steel Handles: Bamboo, Stainless steel Feet: Polycarbonate	
Maximum number of stacked units	Up to 3 units	
Maximum load weight	44.1lbs (20kg) each	

[Shelf state]



Handle detail:



※Main and auxiliary feet are consumable items. If any abnormality such as damage or cracks are found, Please contact our User Service to order the following products or to request repairs/replacement.

Part number (name) of replacement part		
XUG-025G-01 Foot Part L SET(with scrivet x 1) for both UG-025G/UG-055G	XUG-025G-02 Foot Part R SET(with scrivet x 1) or both UG-025G/UG-055G	XUG-025G-03 Scrivets 2pcs sets

Safety precautions (Before use, please read this manual thoroughly to ensure safety and avoid accidents.)

⚠ DANGER: Misuse could easily result in a serious accident or death.

- When loading this product into a vehicle, the box must be in its container state.
- Ensure that stacked boxes do not obstruct the rear or side windows while driving.
- Ensure that the boxes and their contents do not fall out of the vehicle while it is moving.
- Keep the boxes unstacked and level if driving on bumpy roads. Otherwise, they may become damaged or tip over.
- These instructions aside, please observe all traffic laws.

⚠ WARNING: Misuse could result in serious injury or death.

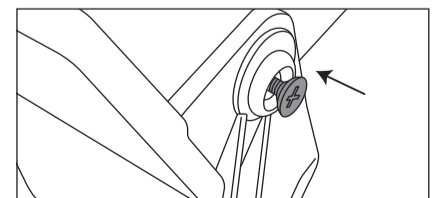
- Before using the product, check each part for abnormalities. If there are abnormalities, take the product for inspection or repair by the dealer where the product was sold or Snow Peak Customer Service.
- Only carry this product one at a time in the container state. If carried while stacked, they may obstruct your view or fall. If carried while in its shelf state, the contents are more likely to fall out.
- Before lifting the container, ensure that it is properly locked to prevent the box from opening while being carried.
- When boxes are stacked (in either the shelf or container state), do not lean on or shake them. Pay particularly close attention to children, in the case that they try to hang or climb on the boxes, etc. as the containers could tip or fall potentially causing serious injury or death.
- When stacking boxes are in their shelf state, place them on a flat surface in a sufficiently spacious and safe area. External factors, such as an earthquake, could cause stacked boxes to tip over, leading to personal injury or property damage.
- To prevent the shelf containers from tipping over and becoming a safety hazard, avoid using this product on sloped ground or an unstable area. After setting up the product, ensure that it does not wobble before use.
- Strictly observe the maximum load weight (20kg per box) and maximum stacked unit limit (3 stacked units, whether in shelf or a container state). Exceeding these limits may compromise the safety and structural integrity of the product
- When picking up boxes that have contents in them, take sufficient care to avoid personal injury.
- Store the boxes out of direct sunlight and away from sources of heat as they may heat up and potentially cause burns.

⚠ CAUTION: Misuse could result in injury to the user and/or damage to property.

- Ensure that your fingers, clothing, etc. do not get pinched in the movable components of the container, particularly when transforming from one state to the other. • Impact with this product and another person or property (vehicles, walls, etc.) may personal injury or property damage. •When placing a box on the ground or stacking it on top of another box, place it down gently and reduce any sudden impact. Ensure it is firmly in contact and secure prior to removing your hands. If it falls, the box could cause personal injury as well as damage to property and/or the product itself. •This product uses steel plates. Although the edges have been treated, handle with care. •Although this product is made of rust-proofed steel plates, areas that have been damaged or edges that have seen sufficient wear may rust over time. If you are storing items in the shelf containers for extended periods of time, rust from the product may transfer to the objects inside (or vice versa). Prevent direct contact between items that rust easily and the shelf containers. •Leaving this product in the rain or washing it with water will accelerate rusting. (increase the likelihood and rate of rust formation. •Remove all contents from the container before transforming it from one state to another. Opening or closing a box while loaded may damage both the container and its contents. The weight of the contents may also cause the box to open or close once unlocked, which could cause personal injury as well as damage to property and/or the product itself. •As intense impact to the main feet may damage them, occasionally inspect them for cracks or other abnormalities and replace the feet if any are discovered (refer to the Maintenance section for details). •The scrivets that hold the main feet in place may be pushed out due to vibration or contact with the load from the inside. If a scrivet is pushed out from the inside, gently push in the head of the scrivet with a Phillips screwdriver groove.

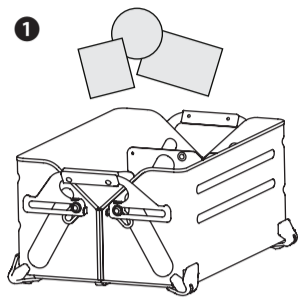
Maintenance

- The main feet may be damaged due to strong impact or aging. If you discover that the main feet are damaged, cracked, or have any other abnormalities, contact our User Service department to order UG-025G-001 (SHELF CONTAINER FOOT PARTS SET) or to request repairs/replacement.
- Store out of direct sunlight in a well-ventilated area with little humidity.
- The scrivets that hold the main feet in place may be pushed out due to vibration or contact with the load from the inside. If a scrivet is pushed out from the inside, gently push in the head of the scrivet with a Phillips screwdriver groove.
- If light grime or water gets on this product, promptly wipe with a dry cloth and allow it to sufficiently dry.
- If salt (seasoning, etc.) or other chemicals get on this product, wipe thoroughly with a well-wrung cloth and allow it to sufficiently dry.

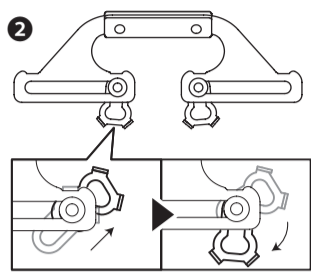


Handling Instructions

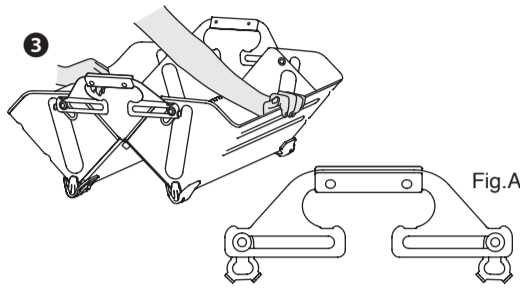
■ Transforming a box from the container state to the shelf state



Remove any contents from the box

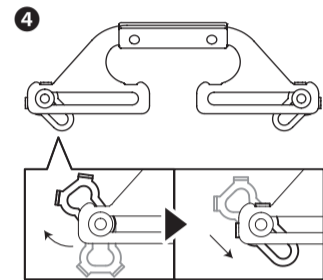


Unlock the four locking units and adjust the handles as shown above. If the locking units are not firmly facing downwards, the pieces will interfere with one another when the box is opened or closed.

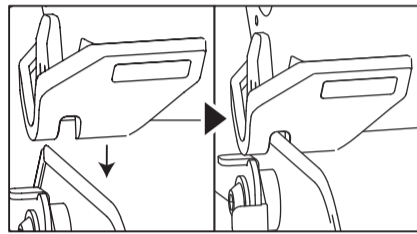
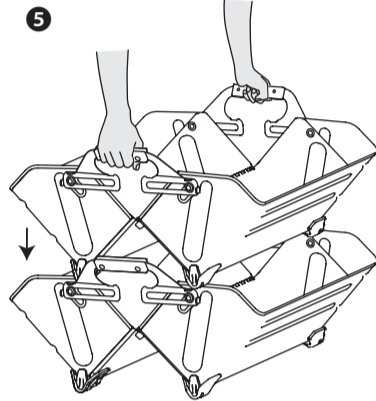


Hold both sides of the box and open it until the sliding pins are as shown in Fig. A.

CAUTION Ensure your fingers, clothing, etc. do not get pinched when opening or closing the box.

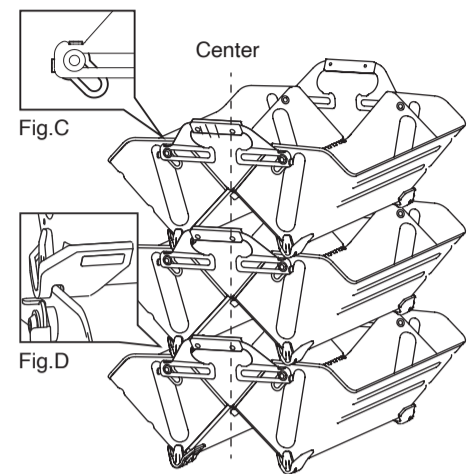


Set the locking units and adjust them as shown above. Confirm that all four locking units on both handles are locked.



Stack the units on top of each other ensuring that the main feet on the box being stacked on top are properly engaged with the unit below it, (as shown in Fig. B).

■ Stacking boxes in a shelf state



Check that all of the locking pieces are as shown in Fig. C.

Check that all of the main feet of the stacked units are as shown in Fig. D.

Check that the handles of all units are aligned and centered.

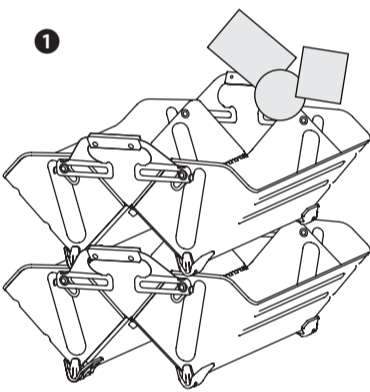
WARNING

An earthquake or other external factor could cause stacked boxes to tip over, which may lead to injury or property damage. Place the boxes in a flat, sufficiently spacious, safe area.

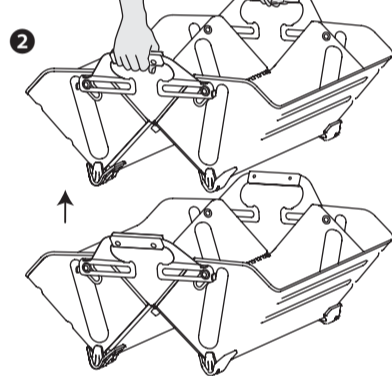
CAUTION

Do not stack more than three units.

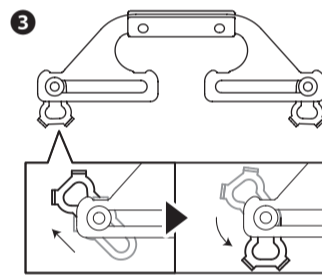
■ Transforming a box from the shelf state to the container state



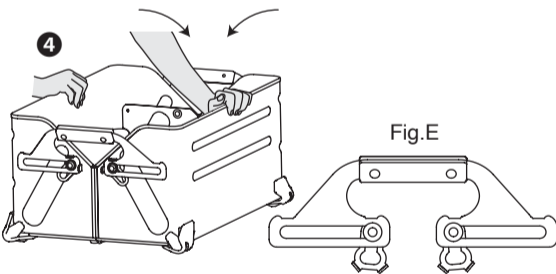
Remove any contents from the box.



Unstack the boxes and place each one separately on the ground.



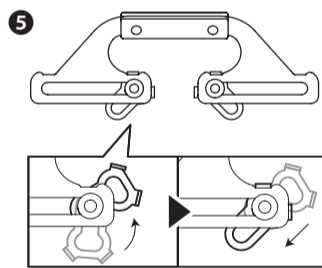
Unlock the four locking units and adjust the handles as shown above. If the locking units are not firmly facing downwards, the pieces will interfere with one another when the box is opened or closed.



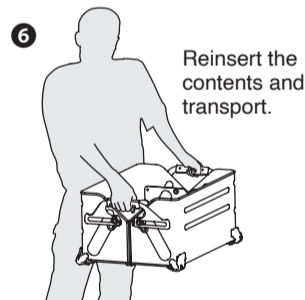
Hold both sides of the box, and close it until the sliding pins are as shown in Fig. E.

CAUTION

Ensure your fingers, clothing, etc. do not get pinched when opening or closing the box.



Set the locking units and adjust them as shown above. Confirm that all four locking units on both handles are locked.

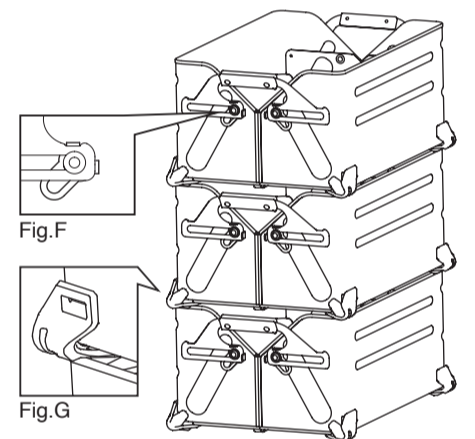


Reinsert the contents and transport.

CAUTION Ensure the box is locked.

CAUTION The maximum load weight is 20kg per box.

■ Stacking boxes in a container state



Check that all of the locking pieces are as shown in Fig. F.

Check that all of the main feet of the stacked units are as shown in Fig. G.

DANGER

If transporting boxes by vehicle, please read the section "Handling Precautions" on the reverse side of this document.

WARNING

An earthquake or other external factor could cause stacked boxes to tip over, which could lead to injury or property damage. Place the boxes in a flat, sufficiently spacious, safe area.

CAUTION

Do not stack more than three units.

Warranty

Snow Peak guarantees the quality of all its products. Please contact your local Snow Peak dealer if you have any problems with this product. Snow Peak will replace or repair if the product is shown to have manufacture defects. In other instances, Snow Peak may repair at an appropriate fee. Please note, the warranty does not apply under the following conditions: / 1. Natural product deterioration over time. / 2. Damage caused by alterations or careless handling. / 3. Damage caused by improper handling that is prohibited in the instruction manual. / 4. Product failure due to user accidents. / 5. Any damage except due to manufacturing defects. / 6. Damage caused by dirt and rust. / 7. Damage caused by disassembly. / 8. Deformation and damage caused by dropping or other similar incidents. / 9. Product failure due to wear and tear caused by the user. / 10. Damage caused by use with other unrelated products.

Repair

•For repairs, please contact the retailer where you purchased the product or Snow Peak Customer Service •When you request a repair, please make sure that the product is dry and clean. •Please attach a memo or some kind of tag indicating the needed repair and detail when and how the damage occurred. •Shipping cost and repair fee for the repair will be determined as follows. 1. Within warranty: Return shipping cost and repair fee will be covered by Snow Peak. / 2. Outside warranty: Return shipping cost and repair fee will be covered by the user.