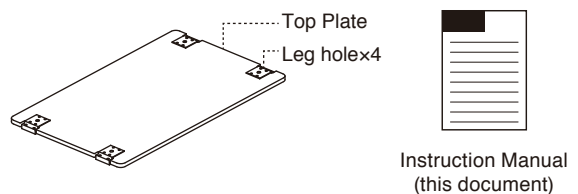


## FES-218 Bamboo Single Table Top Light

Thank you for purchasing a Snow Peak product. This product is a table top. For safety, read the following instruction manual before use. Please keep it safe for future reference. Finally, if you find anything that you do not understand in the description or any problems with the product, please stop use immediately and contact the retailer or Snow Peak Customer Service.

Contents (Name of the Parts)	Specifications	Supported Item code
	<ul style="list-style-type: none"> <li>Materials: Laminated Bamboo, Aluminum Alloy, Stainless Steel, Polypropylene</li> <li>Size: 846x496x25(h)mm / L 33.3" W 19.5" H 0.98"</li> <li>Weight: 2.9kg / 6.4 lb</li> </ul>	<ul style="list-style-type: none"> <li>CK-109 IGT Ground Height 300mm Leg Set (size in use: 846x496x300(h)mm / L 33.3" W 19.5" H11.8")</li> <li>CK-112 IGT Low Height 400mm Leg Set (size in use: 846x496x400 (h)mm / L 33.3" W 19.5" H15.7")</li> <li>CK-113 IGT Sitting Height 660mm Leg Set (size in use: 846x496x660(h)mm / L 33.3" W 19.5" H26")</li> <li>CK-114 IGT Standing Height 830mm Leg Set (size in use: 846x496x830(h)mm / L 33.3" W 19.5" H32.6")</li> </ul>

### Safety precautions (Before use, please read this manual thoroughly to ensure safety and avoid accidents.)

#### ⚠️ DANGER / Misuse could easily result in a serious accident or death.

- When setting up this product in combination with other products, read all instruction manuals carefully before use.
- When using a stove with this product, read the stove's instruction manual carefully and follow the precautions. Improper use may cause serious accidents such as fire or burns.
- Please do not let infants and small children sit or lie down on this product.
- Never use this product near a bonfire. Do not set it up around the fire.

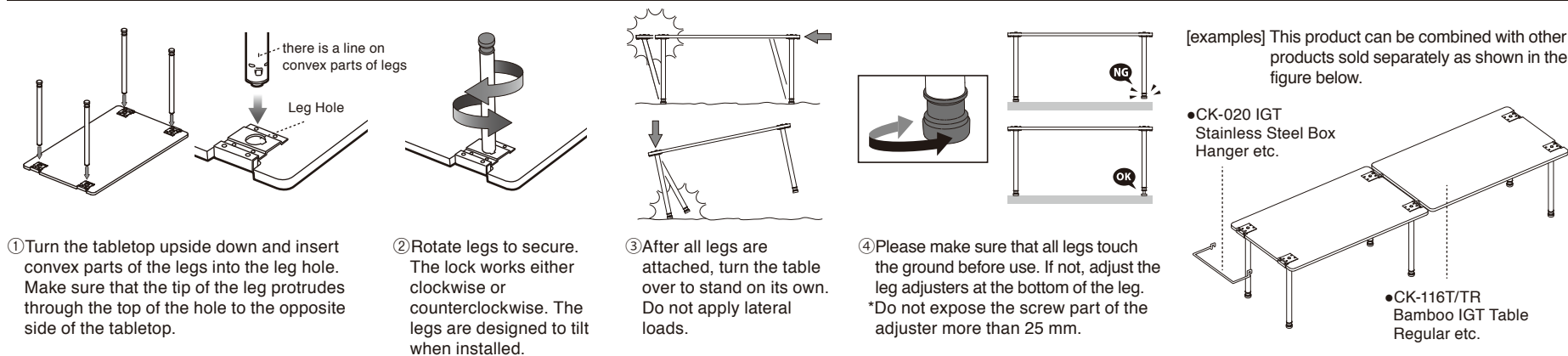
#### ⚠️ WARNING / Misuse could result in serious injury or death to the user.

- Use legs of the same height to customize your Iron Grill Table setup. Adjusting the attached legs, make sure that all legs touch the ground before use. Uneven legs may cause the product to tip over or other serious accidents.
- Do not place your weight on this product, or it may fall over.
- Do not sit or stand up on this product.
- Do not move this product when it is connected to other items. Moving the product will apply excessive force to the connections and damage them. Separate everything before moving.
- Do not place more than 30kg on the tabletop and ensure that the load is distributed evenly on the surface. Otherwise, the unit could tip over or become damaged.
- Do not attempt to modify this product. Modifications may impair its functionality or decrease its strength. Modifications make the product ineligible for after-sale services.

#### ⚠️ CAUTION / Misuse could result in injury to the user and/or damage to property.

- Do not apply a horizontal force to the legs. The horizontal force will cause the legs to bend or break.
- Use this product on firm, flat ground. Do not use in unstable or uneven areas.
- Leaving this product in the rain or in contact with water for an extended period of time will cause the water to permeate its coating, resulting in staining, discoloration, warping, and/or distortion.
- This product is not meant for permanent use, as it may become damaged or cause injury. Leaving heavy objects on the tabletop permanently could result in warping.
- Hitting the tabletop could damage its coating or make it easier for moisture to get inside, resulting in staining, discoloration, warping, and/or distortion.
- Do not place a hot pot or pan on top of the product. Hot items may burn the surface.
- This product is made of processed and laminated bamboo. Each one will vary in terms of color density and texture. Please enjoy its natural colors and textures.
- Do not scrub with abrasive or sharp objects, as they will scratch the surface.
- Depending on its usage and storage conditions, the tabletop may become faded, discolored, warped, distorted, or cracked. For example, do not store or use in areas where a heater applies direct heat, areas with direct sunlight for long periods, or in a vehicle in the summertime.
- When attaching this product to other products, make sure that there is no one around you.
- This product may be cracked due to deterioration over time.
- Be careful not to pinch your fingers when inserting the IGT legs.
- Do not place heavy objects on the corners and edges of the table. This product has a lightweight design, so placing heavy objects on one side may cause it to tip over.
- When attaching a Table Top Architect series product to the table, be sure to read the instruction manual of the corresponding products carefully.
- After installing any Table Top Architect products, be sure to check the stability of the table before using it.
- When using this product, make sure that the tabletop is applied with even force. Do not place objects only on the edges or corners of the tabletop, or put your hands on them when getting up from a chair. The table may lose its balance and fall over. Use with caution.
- Due to the honeycomb structure of the tabletop, dropping heavy or hard objects on its surface may cause holes or dents. Avoid dropping objects onto the tabletop.

### Instructions for Use



- Turn the tabletop upside down and insert convex parts of the legs into the leg hole. Make sure that the tip of the leg protrudes through the top of the hole to the opposite side of the tabletop.
- Rotate legs to secure. The lock works either clockwise or counterclockwise. The legs are designed to tilt when installed.
- After all legs are attached, turn the table over to stand on its own. Do not apply lateral loads.
- Please make sure that all legs touch the ground before use. If not, adjust the leg adjusters at the bottom of the leg. \*Do not expose the screw part of the adjuster more than 25 mm.

[examples] This product can be combined with other products sold separately as shown in the figure below.

- CK-020 IGT Stainless Steel Box Hanger etc.
- CK-116T/TR Bamboo IGT Table Regular etc.

### Maintenance

- To remove light dirt or moisture from the product, wipe it off quickly with a dry cloth and dry it well.
- If salt, seasonings, or other chemicals stick to the product, wipe it off with a tightly wrung cloth and then dry it thoroughly.
- After use, store the product in a shaded, well-ventilated area.

### Warranty

Snow Peak has taken all possible measures to ensure every product is durable and functions correctly. If you find any product defects, please contact the retailer where you purchased the product or Snow Peak Customer Service. If there are apparent defects in the product's manufacturing, the defective product will be repaired or exchanged free of charge. In other cases, Snow Peak will repair the product for an appropriate fee. The decision to repair or replace the product will be at our discretion. Snow Peak will not repair the product for any damage that occurred due to the following: 1. Material deterioration caused by age. / 2. Damage caused by modifications or rough handling. / 3. Damage caused by inappropriate use not mentioned in the instruction manual. / 4. Damage caused by unexpected accidents. / 5. Any damage other than defects in the manufacturing process. / 6. Damage caused by dust or rust. / 7. Damage and defects caused by dismantling the product. / 8. Damage and defects caused by dropping, jolting or other shocks. / 9. Deterioration or failure of parts due to friction. / 10. Damage caused by the use of the product in combination with another manufacturer's products.

### Repair

- If professional repairs are required, please contact the retailer where you purchased the product or Snow Peak Customer Service.
- When you request repairs, please make sure that the product is dry and clean.
- Please attach a memo or a tag indicating the necessary repair and please write details of how and when the damage occurred.
- Transportation and repair costs are determined as follows.
  - Within warranty: The transportation cost (both ways) and repair cost will be covered by Snow Peak.
  - Outside warranty: The transportation cost (both ways) and repair cost will be covered by the customer.