



THE COPPER COLLECTION

BY HYDRA PLUMBING SUPPLIES

Hydra
Plumbing



Once you've stood under one of our Rainmaker shower roses, you'll never want to leave.

These hand-crafted copper roses bring a touch of sophistication, function and timeless appeal to your bathroom, providing affordable luxury and a shower you'll never want to step out of. Our roses are crafted in Canterbury from locally spun copper and hand-punched to capture the simplicity and elegance of traditional Victorian workmanship.



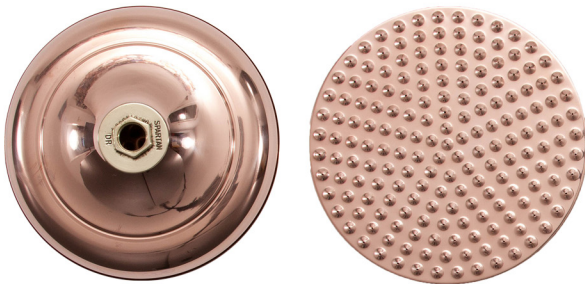
RAINMAKER SHOWER ROSES



100mm
Shower Rose
MODEL: SR100



150mm
Shower Rose
MODEL: SR150



200mm
Shower Rose
MODEL: SR200



250mm
Shower Rose
MODEL: SR250

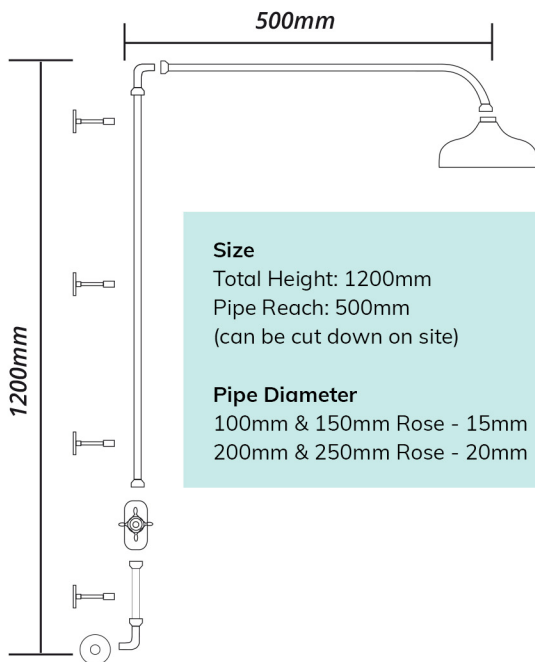


Available in Polished, Aged and chrome finish in all sizes.

SINGLE SUPPLY SHOWERS

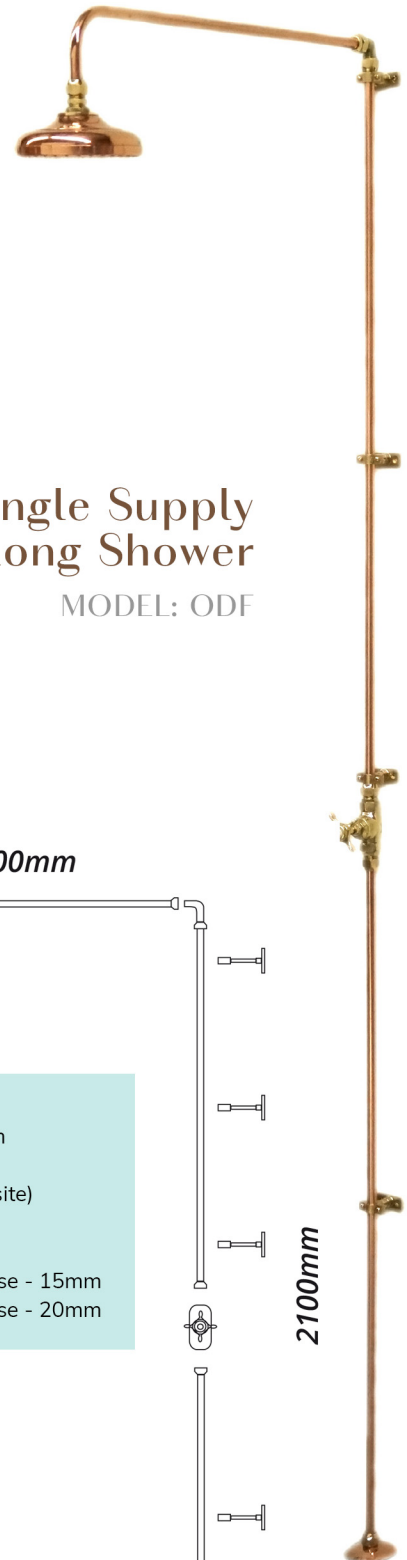


Single Supply Short Shower
MODEL: ODS

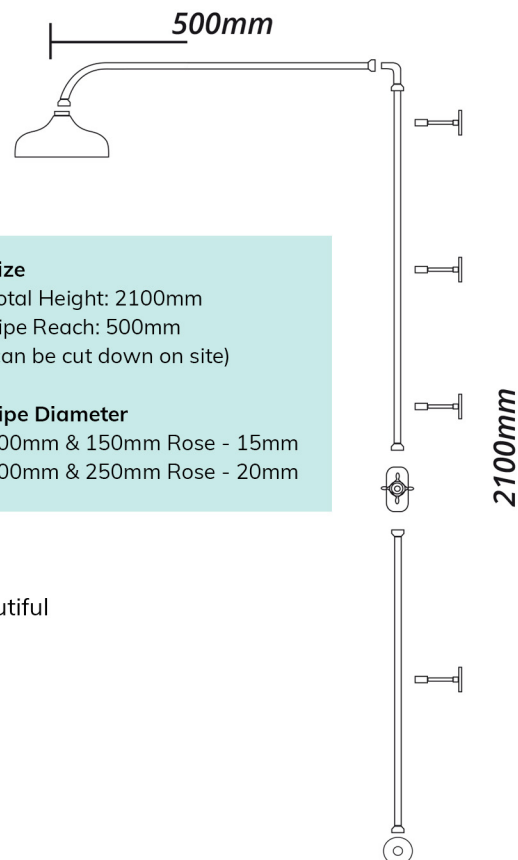


Size
Total Height: 1200mm
Pipe Reach: 500mm
(can be cut down on site)

Pipe Diameter
100mm & 150mm Rose - 15mm
200mm & 250mm Rose - 20mm



Single Supply Long Shower
MODEL: ODF

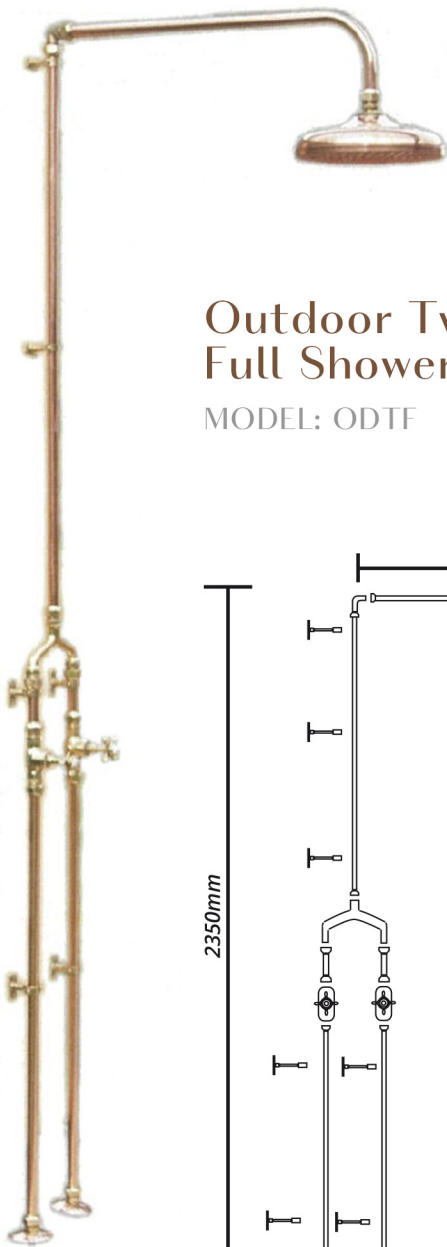


Size
Total Height: 2100mm
Pipe Reach: 500mm
(can be cut down on site)

Pipe Diameter
100mm & 150mm Rose - 15mm
200mm & 250mm Rose - 20mm

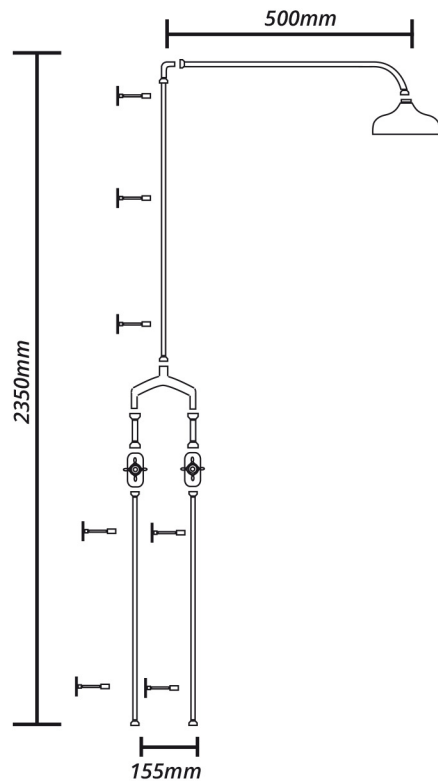
The Alfresco cold water shower is available in a range of beautiful finishes to complement your space: choose from polished and antique copper or chrome finish. The Alfresco makes a great addition to your outdoor space.

TWIN SUPPLY SHOWERS



Outdoor Twin Full Shower

MODEL: ODTF



Size

Total Height: 2350mm
Pipe Reach: 500mm
(can be cut down on site)

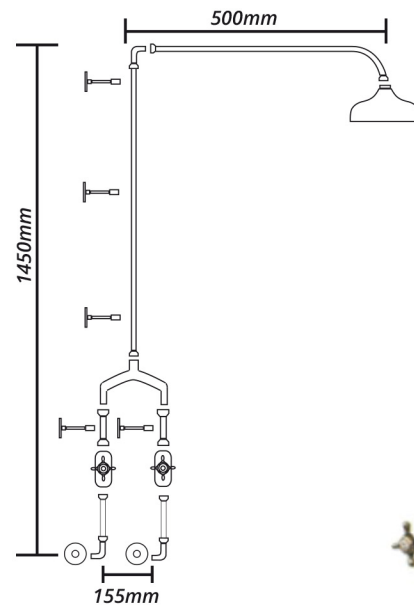
Pipe Diameter

100mm & 150mm Rose - 15mm
200mm & 250mm Rose - 20mm



Indoor / Outdoor Twin Short Shower

MODEL: ODTs



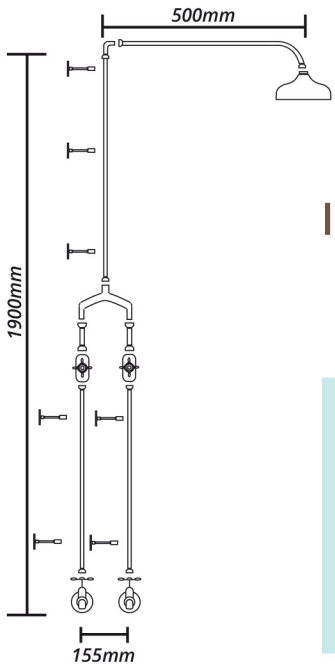
Size

Total Height: 1450mm
Pipe Reach: 500mm
(can be cut down on site)

Pipe Diameter

100mm & 150mm Rose - 15mm
200mm & 250mm Rose - 20mm

OVER BATH SHOWER AND TAP SETS



Indoor Full Over Bath Shower

MODEL: IDFB

Size
Total Height: 1900mm
Pipe Reach: 500mm
(can be cut down on site)

Pipe Diameter
100mm & 150mm Rose - 15mm
200mm & 250mm Rose - 20mm



Bath Filler
MODEL: TMIXBATH

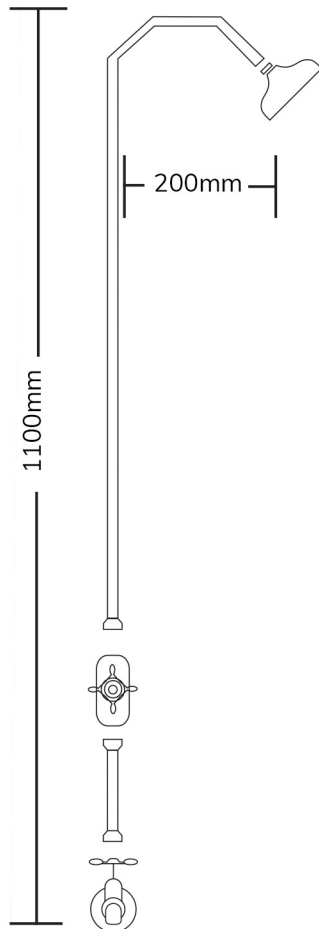
Twin Tap
Bath Filler
MODEL: TTBATH



THE NEPTUNE RANGE

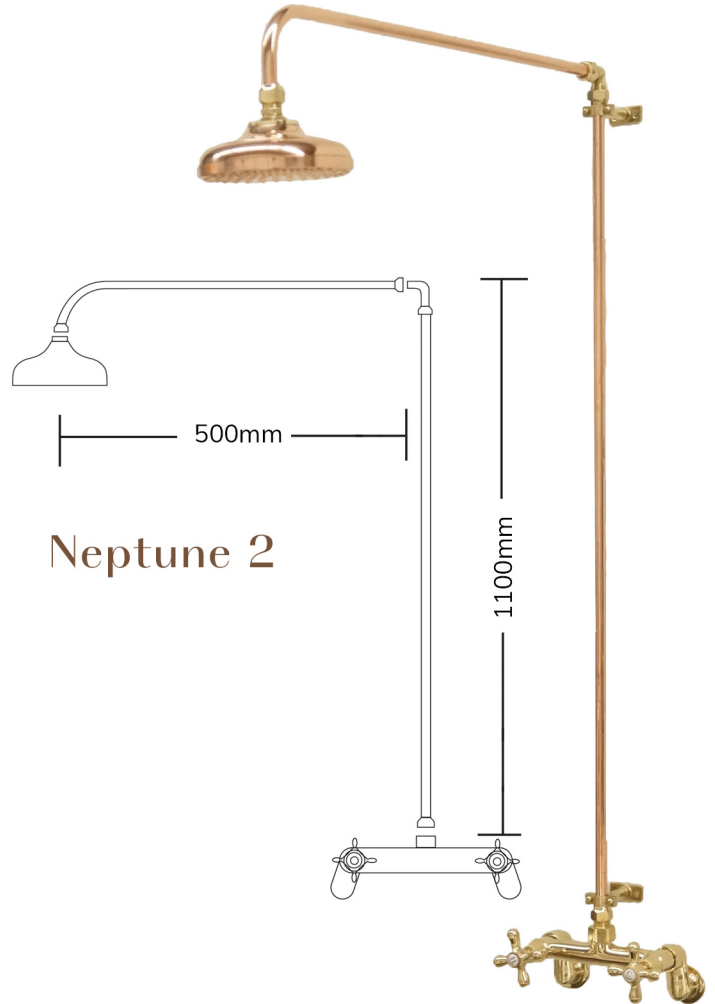


Neptune 1



Size
Total Height: 1100mm
Pipe Reach: 200mm
(can be cut down on site)

Pipe Diameter
100mm & 150mm Rose - 15mm
200mm & 250mm Rose - 20mm



Neptune 2

Size
Total Height: 1100mm
Pipe Reach: 500mm
(can be cut down on site)

Pipe Diameter
100mm & 150mm Rose - 15mm
200mm & 250mm Rose - 20mm

The Neptune Tap Set MODEL: NT

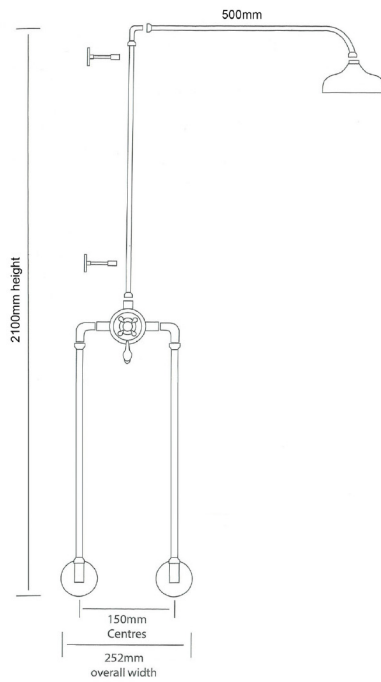


THE NEPTUNE RANGE



Neptune Classic Full Length

MODEL: NCF



Size

Total Height: 2100mm
Pipe Reach: 500mm
(can be cut down on site)

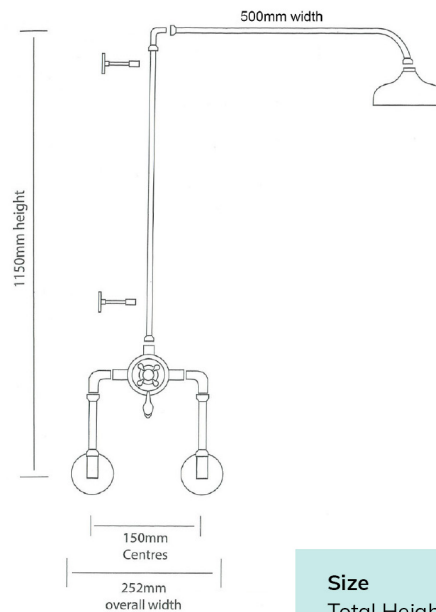
Pipe Diameter

100mm & 150mm Rose - 15mm
200mm & 250mm Rose - 20mm



Neptune Classic Short

MODEL: NCS



Size

Total Height: 1200mm
Pipe Reach: 500mm
(can be cut down on site)

Pipe Diameter

100mm & 150mm Rose - 15mm
200mm & 250mm Rose - 20mm

The Neptune Classic Tap Set

MODEL: NCT

15mm or 20mm pipe



IN WALL SHOWERS

If you would prefer recessed pipes we can supply a through-the-wall shower with taps or a mixer.



MODEL: RAP

Rose & Pipe



MODEL: RAPS

Through The Wall
Shower Mixer

MODEL: MIX



Through The Wall
Shower Tap

MODEL: TTWT

BASINS & TAPS



Basin and Tap Set Bundle

MODEL: BTBUNDLE

To complete your bathroom or kitchen design we have a range of copper basins that can be surface mounted or counter sunk into your worktop.

A solid copper basin wouldn't be complete without a matching tap set. Our Alpha basin taps are easy to install and are made of solid copper and brass. They can be configured for out of the wall or out of the bench installation.



Y Mixer Taps Out The Wall or Out the Bench

MODEL: YTB-YTW

15mm pipe



Rounded Basin

MODEL: RB430 430mm Diameter



Straight Sided Basin

350mm Diameter MODEL: SB350

Vanity Units

A stylish vanity unit in any bathroom completes the suit. Our copper and brass vanity units come in 600mm or 1200mm wide with capacity for single or double basin installation. The vanity unit comes with a copper shelf unit for storage and built in towel rail under the vanity top.

We supply the vanity unit in 3 finishes: Polished copper/aged copper/chrome.

Vanity units are created to ensure you can remove excess pipe to fit your space.



MODEL: SVAN

Single - 600mm Wide x 480mm
Depth x 850mm Height

Double - 1200mm Wide x 480mm
Depth x 850mm height



MODEL: TVAN

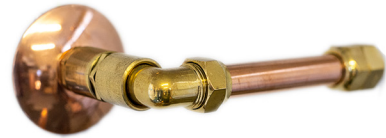
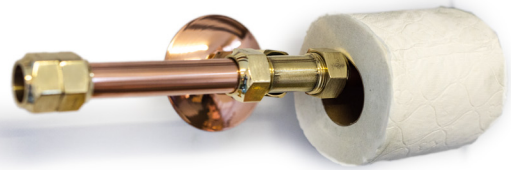


ACCESSORIES



Toilet Roll Holder

Single / Twin MODEL: TH



Coat Hook

MODEL: CH



Towel Rail Bar / Classic

MODEL: TR

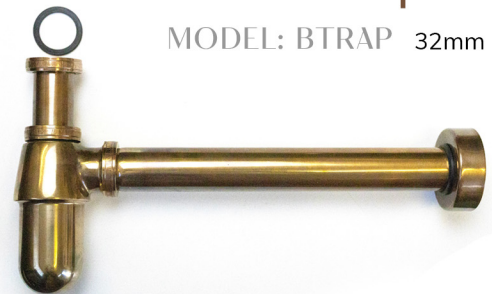


ACCESSORIES



Pop Up Waste

MODEL: PU32 32mm



Bottle Trap

MODEL: BTRAP 32mm



Hand Held
Kit with
Wall Mount

MODEL: HHW-WM



Foot Wash / Hose Tap

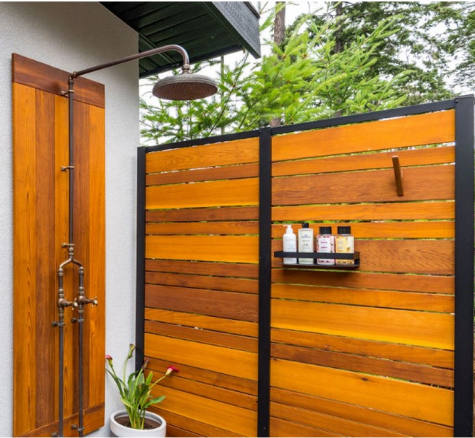
MODEL: FW

Out Of
Wall Option

MODEL: FWALL



QUALITY ASSURANCE & WARRANTY



We strive to make the best product on the market, we only use the best materials and build all of our products to the highest standards to make sure you get the perfect shower.

5 YEAR WARRANTY

Hydra Plumbing Supplies Ltd warrants all of its products to be free from manufacturing defects for 5 years from date of purchase. This warranty covers replacement of defective parts, not of the complete product unless deemed necessary by Hydra Plumbing Supplies Ltd. This warranty does not cover damages incurred due to installation, replacement or repair, Damages due to improper use, cleaning or neglect. Hydra Plumbing Supplies Ltd does not warrant the finish of the product due to the unsealed nature of the metal finishes we provide, they are provided as is and will age over time.



END-OF-LIFE STATEMENT

All of our products and packaging are sold as fully recyclable or reusable, as such we encourage all of our customers to recycle old packaging and at the end of the products life to recycle or re purpose our products.



WATER SAFETY CERTIFICATION

The **WaterMark** certification is the main plumbing product quality scheme applied to tapware in Australia, and New Zealand. Whilst it is mandatory in Australia, New Zealand is yet to implement this testing and certification. Hydra Plumbing Supplies are proud to say we work to create **WaterMark** approved products where possible. Our tapware products are tested and meet these standards and that our processes and packaging adhere to the AS/NZS Standards. **Our certificate number – AS/NZS 52003/3662 & AS/NZS 52004/3718**

WaterMark standard products ensures that they do not release certain metals (such as lead) beyond minute quantities, and that the limits for lead content align with the requirements as detailed in the **Drinking-Water Standards for New Zealand 2005 (Revised 2008)** publication by the Ministry of Health.

We are proud to be part of a handful of bath ware manufactures in New Zealand who can use the WaterMark symbol, so when you buy a Hydra Plumbing Supplies product that has a WaterMark shown – you will know you are buying low lead tapware, and the healthiest product available to New Zealanders.



Please note: all pipes can be cut down on site to suit your location. All fittings are supplied to accommodate this.

WARNING: when the shower is in direct sunlight, it can cause the water held in the shower and garden hose connecting the shower to heat up which may cause scalding. Please make sure that before using the shower to let water run for a few moments to wash out any overheated water. If using a hot and cold water shower, the hot water should be tempered to a maximum of 55°C. The showers do not have a tempering device.

Please note: if shower is installed within 1200mm (4') of the pool water, please connect to an earth wire. A qualified electrician must do the connection as per Electrical Code.

Please note: while every effort has been made to ensure that the details in this brochure were correct at the time of printing, Hydra Plumbing Supplies reserves the right to alter specifications or product from that shown.

HYDRA PLUMBING SUPPLIES LTD

Unit 10, 9 Craft Place, Middleton, Christchurch 8023, New Zealand

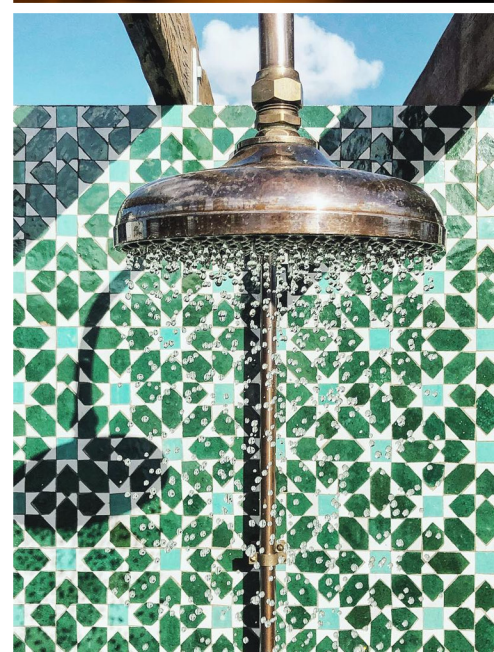
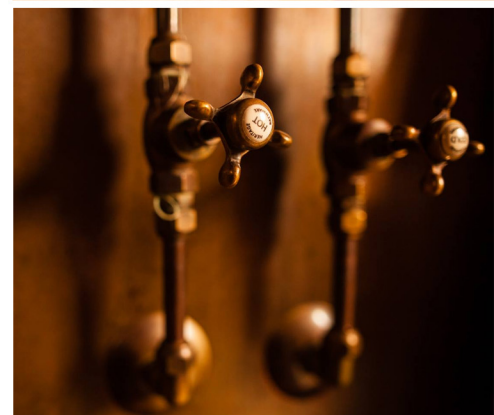
www.hydraplumbing.co.nz

Email: info@hydraplumbing.co.nz

Free Phone NZ: 0508 426 225

Mobie: 027 305 3035

Australia: 1800 083 718



THE HYDRA COLLECTION MADE JUST FOR YOU



A unique range of hand crafted bathware with flexible options to suit any style

Proudly manufactured in Canterbury, New Zealand