

Bluetooth True Wireless Stereo Hi-Fi Speaker Set

Altavoces Bluetooth True Wireless Stereo Hi-Fi

Ensemble hi-fi stéréo sans fil- Bluetooth

Bluetooth True Wireless Stereo-HiFi-Lautsprecherset

Set di altoparlanti Hi-Fi stereo Bluetooth True Wireless



User Guide

Manual de Instrucciones

Guide de l'utilisateur

Benutzerhandbuch

Guida utente

ENGLISH

ENGLISH

ESPAÑOL

ESPAÑOL

FRANÇAIS

FRANÇAIS

DEUTSCHE

DEUTSCHE

ITALIANO

ITALIANO



Conforms to UL STD 62368-1 & CSA STD C22.2 NO.62368-1

A Thank You From Paul Mitchell

Thank you for deciding to purchase this Mitchell Acoustics product. It means a lot to me as I have worked hard and had many sleepless nights designing and developing it and I truly hope that it exceeds your expectations and that you enjoy using it.

This instruction manual will give you a general idea of how this device operates, as well as providing you with information on safety procedures and cleaning. In order to maintain this product in good condition and to ensure its safe operation, please take a few minutes to read and carefully follow all the safety and operating instructions found in this manual.

Please retain this instruction manual for future reference and pass it along with the device if handed over to a third party. Should you have any additional questions regarding the operation or installation of this device, or should any problems arise from its use, then please contact a specialised dealer or our service team for further information.

We assume no liability for any damage incurred as a result of improper use resulting from failure to comply with the safety instructions found in this manual. Under such circumstances all claims under warranty will become null & void. We assume no liability for any consequential damage!

This product is EMV-certified and complies with all European, US and other national guideline requirements. All the relevant testing has been carried out and certification has been received. A declaration of conformity can be found at the end of this manual.

For further information please visit www.mitchellacoustics.co.uk.

Yours sincerely,



Paul Mitchell
Founder & CEO
Mitchell Acoustics Ltd



Table of Contents

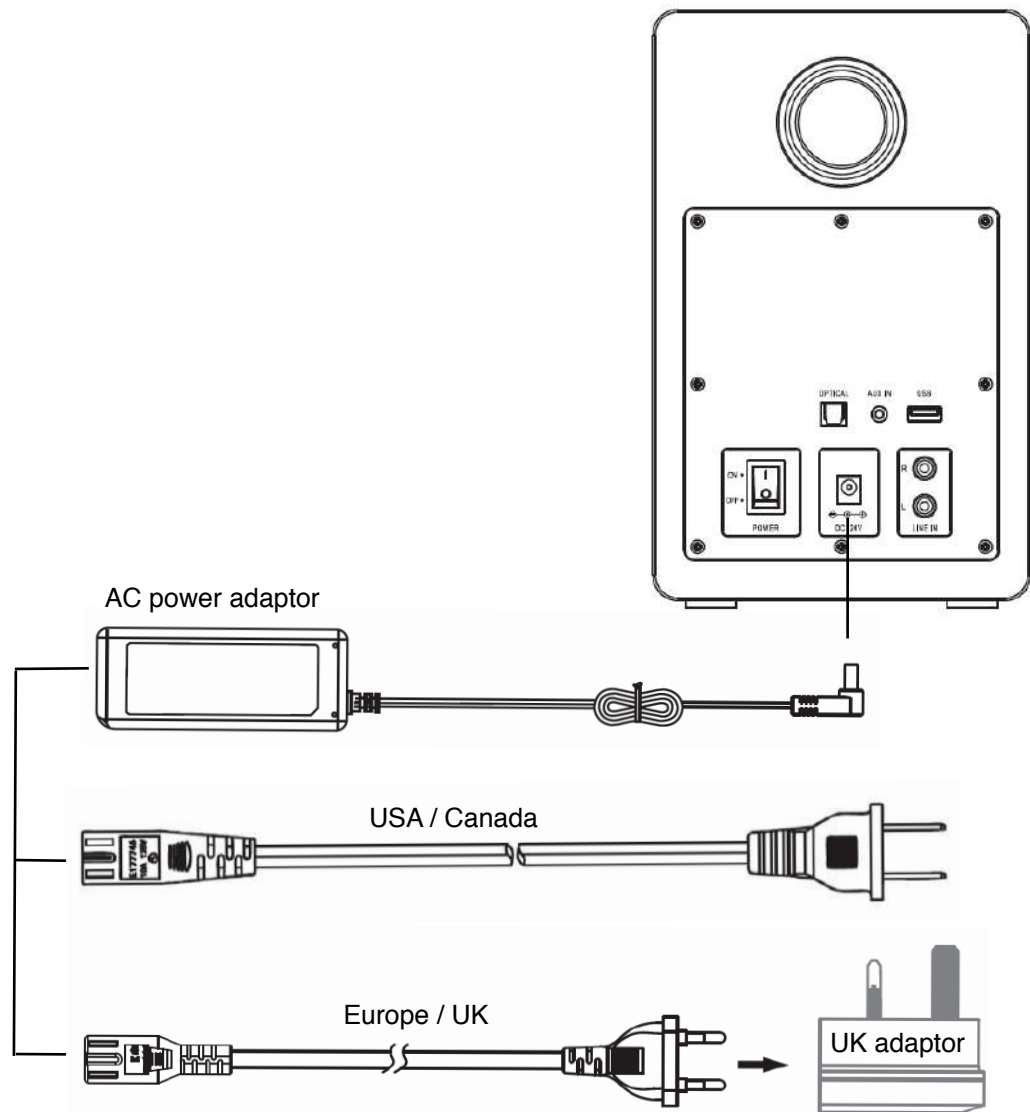
1	Quickstart Guide	8
2	Intended Use	10
3	Safety Information	11
4	In the Box	12
5	Description of Parts	13
6	Initial Setup	18
	Initial Positioning and Power On	18
	Connecting to a Smart Device to use as preferred sound source	18
	Adjusting the volume with remote control handset	19
	Connecting Other Devices	19
	Connection of Analog RCA Audio Cables	19
	Connection of Optical TOSLINK Cables	19
7	Disposal	20
8	Troubleshooting	21
9	Specifications	22
10	DECLARATION OF CONFORMITY	24

Before use

Please read this instruction manual thoroughly before operating this device and retain it for further reference. Following and heeding all the information found in this instruction manual will maintain this product in good condition and ensure its safe operation. This instruction manual contains information on how to operate and maintain this device. Should a component require maintenance, servicing or repair, then please consult a qualified dealer or service technician.

1. Quickstart Guide

1. Find a suitable location for your uStream One speakers. Make sure the surface is stable with enough space for the power cable to be connected.
2. Locate the 2 white boxes containing the AC power adaptors and cables.
3. Insert the power cable from the AC adaptor into the 24V socket on the rear panel of each speaker.



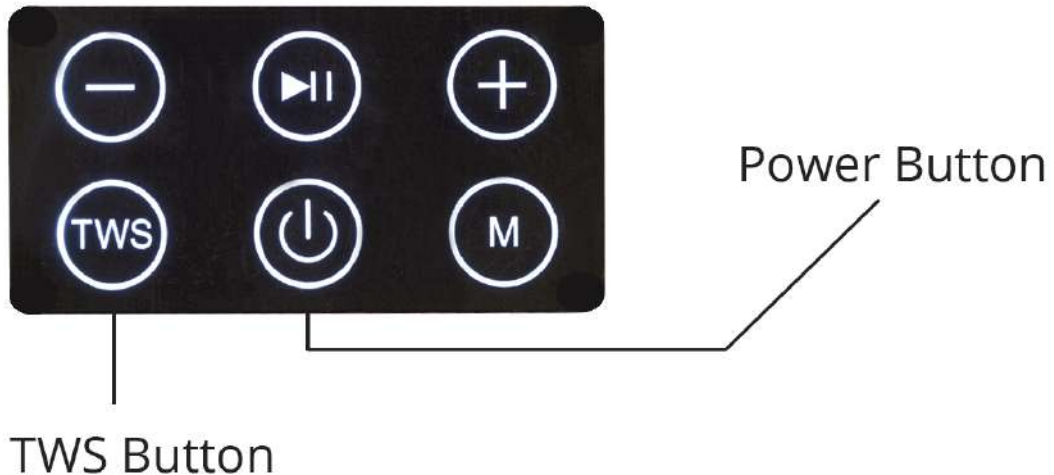
4. Locate the power cables relevant for your location. Discard the other power cables.
Plug one end of the power cable into the 2-pin socket on the AC power adaptor and the other end into a mains power socket.

Turn the power switch on the rear of the speaker to ON.

- Position speakers.

PLEASE NOTE SWITCH THE LEFT SPEAKER ON FIRST. This will become Speaker 1.

Turn each speaker on by pressing the power button for 2 seconds. You will hear a voice response **'Power On'** to confirm, followed by the default mode, **'Bluetooth'**.



- Once each speaker is powered on, press the TWS button on the **LEFT** speaker (not both). The voice response **'Connecting to speaker 2'** will be heard, followed a few seconds later by the voice command **'Speaker 2 connected'**
- On the Bluetooth device you would like to connect to the speakers, look for 'uStream One' on the list of available devices to connect to and select it. The voice command 'Connecting to Bluetooth..Bluetooth connected' will be heard.

NOTE: if you are seeing more than one 'uStream One' listed in the BT devices on your device it means Left and Right speakers are not connected to each other. Go back and follow the steps in 4. above.

- Any sounds playable on your phone will now come from the uStream One speakers in STEREO.

BEFORE USING REMOTE CONTROL PLEASE SEE PAGE 15.

- Use the supplied remote control handset (point it at the LEFT Speaker) to increase the volume to maximum. To do this you must repeatedly press the **'Vol +'** button on the remote. When maximum volume is reached you will hear a series of loud 'Beeps'.

Now you can use the volume control on your device to adjust the overall volume.

2. Intended Use

This device is an integrated active speaker designed to have various audio components or Bluetooth devices connected to its inputs.

Please adhere to all of the safety information and instructions found in this instruction manual.

3. Safety Information

The following safety and hazard warnings are not only for the protection of your device, but also serve as a protection against potential health hazards. Please take time to read the following instructions carefully.

We assume no liability for personal or property damage resulting from the failure to comply with the safety instructions, or from improper operation or handling. Under such circumstances, all claims under warranty will become void

- For safety and certification reasons any unauthorized modification and/or changes to the device is prohibited and will void the warranty and all warranty claims.
- Any persons operating, installing, setting up, or servicing this device must be trained and qualified accordingly, and observe these operating instructions.
- Ensure that the device has been set up correctly by following all the instructions found in the instruction manual
- Power supply cables should be routed so that they are not likely to be walked on, squashed or pinched by items placed upon or against them. Pay particular attention to cords at plugs, power outlets, and at the point at which they exit from the device. Avoid exposing the cable to extreme heat or cold. Ignoring the above mentioned instructions could result in cable damage and present the danger of an electric shock.
- In order to completely cut off the power supply to the device, unplug the power plug from the wall outlet. Merely turning the device off with the ON/OFF button is not sufficient. Also make sure that power outlets are easily accessible.
- Always pull on the plug's grips and never on the cable to remove it from a wall outlet. Unplug the device from the power outlet if not in use for a longer period of time.
- Never use the device, if the power cable or device is damaged.
- The speakers should never come into contact with water or moisture and no objects filled with liquids such as vases, should be placed on the speakers.
- Operate the speakers in a moderate climate and never expose them to extreme temperatures, such as high humidity.
- Make sure the speakers are placed on a firm and stable surface or mounted on suitable stands or mounting brackets.
- Please note that excessive sound pressure created when listening to loud volume levels for extended periods can lead to permanent hearing damage.
- Please adhere to the additional safety information found in the individual chapters of this instruction manual.
- When connecting other devices, please refer to the safety and operating instructions found in the literature accompanying the device.
- Clean only with dry cloth.
- Please contact us or a service technician for further information, should you be in doubt about device operation, safety or when making connections, or if any questions arise that are not explained within this manual.
- Contribute to a better environment by using a designated recycling site for the disposal of packaging material.

Electromagnetic Interference

- The normal function of the product may be affected by strong electromagnetic interference from other devices. If so, simply reset the product to resume normal operation by following the user manual. If this fails it may be necessary use the speakers in a different location.

4. In the Box

Here is what you will find in the box. The accessories can be found in 2 plain white boxes.

Please check all these parts are present before proceeding. Please inform your dealer if any part is missing or damaged.

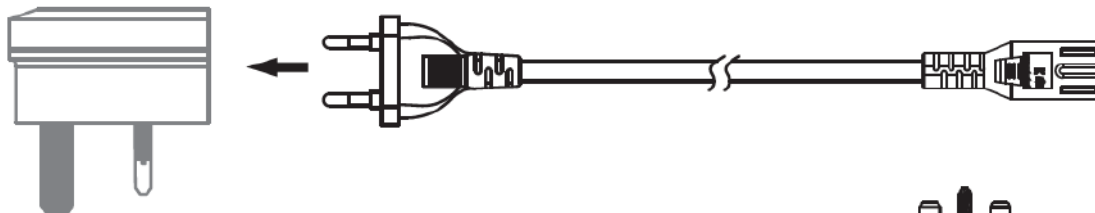
2 x uStream One Speakers



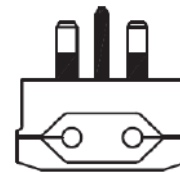
1 x Remote control handset



4 x mains power cable (2 x North America, 2 x Europe)



2 x UK mains adaptor (located in the bottom of the packaging)



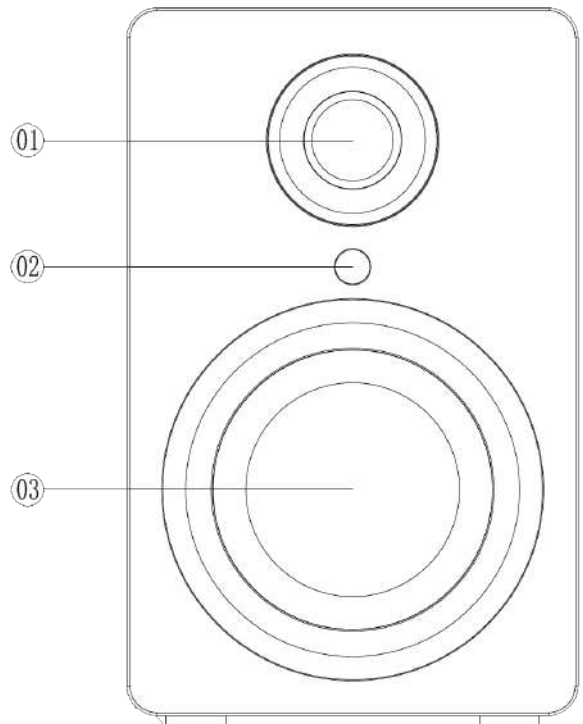
2 x AC Mains Adaptor (100-240v)



5. Description of Parts

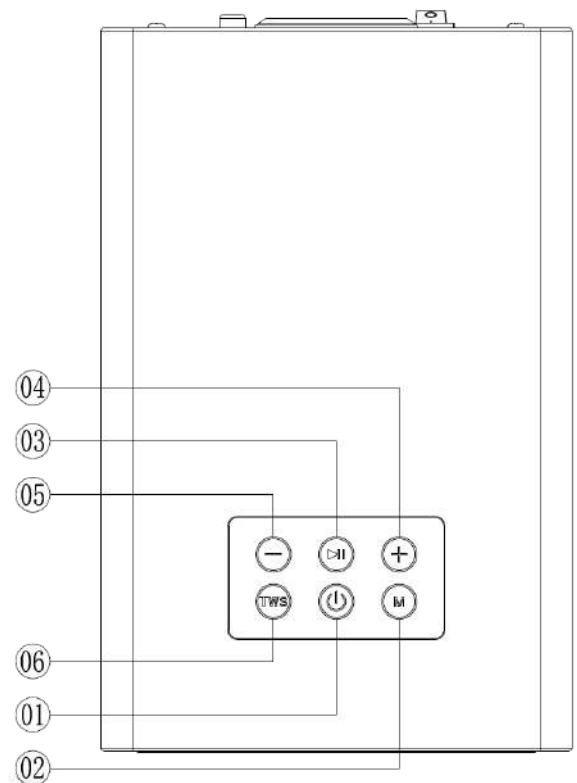
FRONT

1. Tweeter (High frequency driver)
2. Remote Control Receiver
3. Woofer (Low Frequency driver)



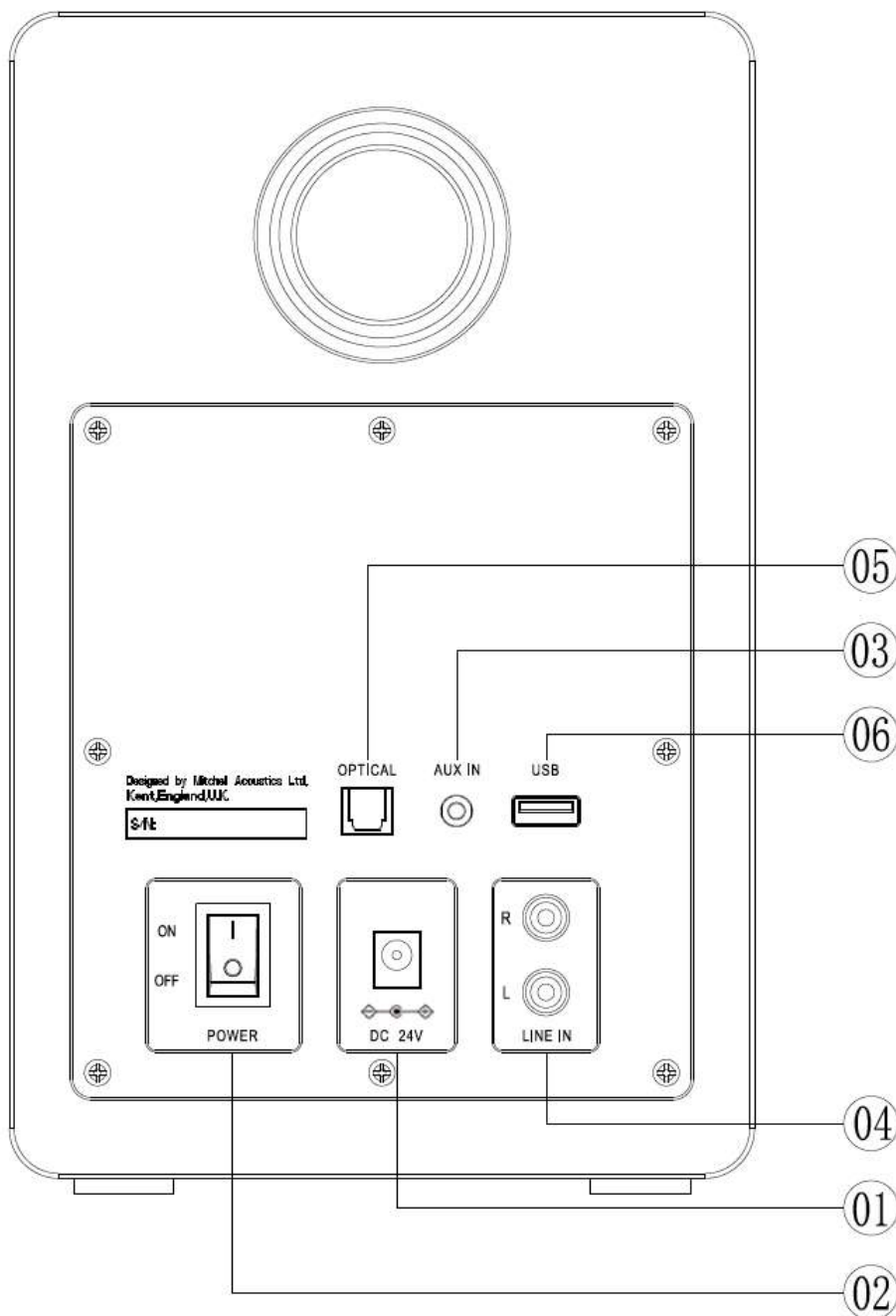
TOP

1. Power button: press and hold for 2 seconds to turn on, press and hold for 5 seconds to turn off. (*The unit will turn off automatically after 15 min if no signal input).
2. Mode Button: Press and hold for 2 seconds for option list, in a sequence of function is BLUETOOTH / AUX-IN / LINE-IN / OPTICAL. Each press is accompanied by a voice command confirming the mode.
3. Play/Pause button: Press and hold for 2 seconds to play the track, then press and hold for 2 seconds to pause the track. Press and hold for 5 seconds to disconnect BT connection.
4. Volume+/ Next Button: Long press to access the next track in the playlist. Short press to increase the volume.
5. Volume-/ Previous Button: Long press to access the last track in the playlist. Short press to lower the volume.
6. TWS button: Short press either one to connect the speakers, the unit will be automatically on TWS mode. (The units will automatically attempt to connect via TWS when powered on once initial setup has been done, so use of this button is only necessary if pairing ever fails due to repositioning the speakers)



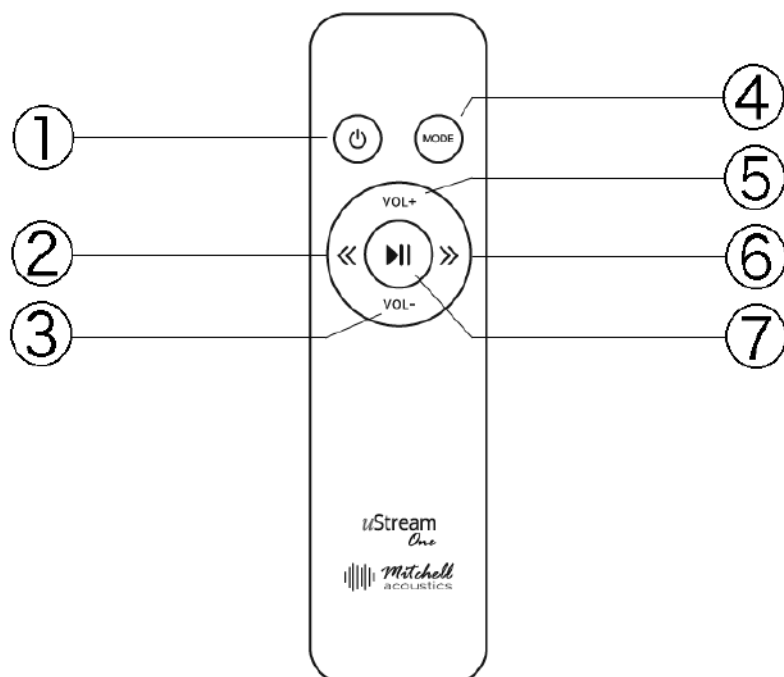
REAR

1. DC in 24V 3A. Insert the round connector at the end of the AC adaptor cable.
2. Power On/Off switch
3. AUX IN 3.5mm stereo jack socket
4. RCA Left and Right stereo line input
5. OPTICAL IN for TOSLINK optical input
6. USB input for USB firmware upgrade



Remote Control Handset

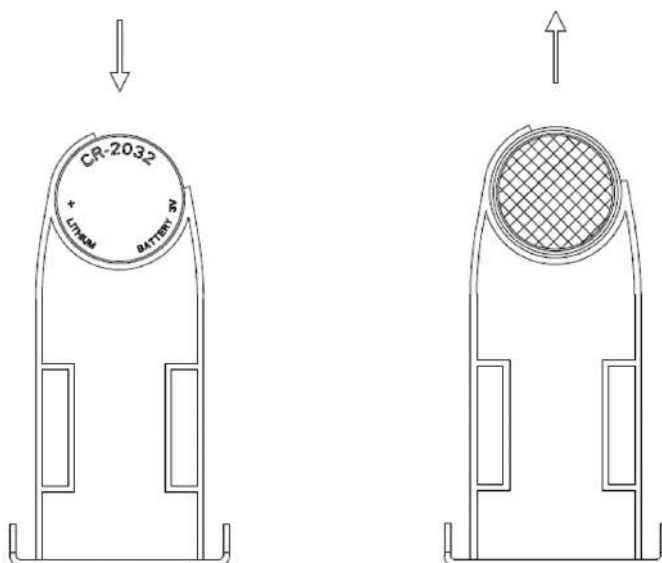
1. Power On from standby mode
2. Previous Track
3. Volume Down
4. Mode Changer
5. Volume Up
6. Next Track
7. Play/Pause. Press and hold for 5 seconds to disconnect BT connection.



Remote Control Handset Battery

The remote control handset is supplied with a CR-2032 battery. However, it has been deliberately fitted in reverse to preserve the battery life before first use.

Remove the battery tray as indicated and remove the battery and replace with numbers facing down. Then replace the battery tray as indicated.



Information on handling batteries

Please adhere to the following information when handling batteries and rechargeable batteries.


- Keep batteries out of children's reach.
- Never leave batteries lying around unsupervised. If swallowed these could pose a choking hazard to children and pets. Seek emergency medical care immediately, should this happen.
- Batteries are hazardous and do not belong in household waste.
- Ensure correct polarity when inserting batteries.
- Never expose batteries to extreme temperatures, such as sunlight, fire, ovens, etc. there is a risk of explosion!
- Make sure that batteries are not dismantled, short-circuited or are thrown into fire.
- Touching leaking or damaged batteries could cause skin burns. Use protective gloves suitable for handling such batteries.

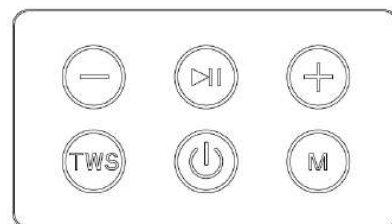
6. Initial Set Up

Power Connection

1. UK use there is an adaptor into which the two-pin European cable should be inserted as shown in the Quickstart Guide. Connect the relevant AC power cable to the supplied AC adaptor.
2. Connect the AC adaptor cable to the back of each device.
3. Connect the AC power cable to the mains supply.
4. Switch the power on via the on/off switch on the rear of each speaker.

Initial Positioning and Power On

1. The LEFT speaker should be powered on FIRST and will always be Speaker 1.
2. Power on the speakers by pressing  on the top panel for 2 seconds.
3. Confirmation voice will be audible. 'Power on' with confirmation of mode.



TWS (True Wireless Stereo) Connection

1. Make sure that the speakers do not have an active Bluetooth connection with a device. Turn off bluetooth on the device you intend to connect to the speakers before pairing the speakers to each other.
2. Press the "TWS" button on Speaker 1 (Left speaker) to initiate the automatic pairing mode between the two units. There is a voice confirmation '**Connecting to Speaker 2**' followed by '**Speaker 2 connected**'.

NB: In True Wireless Stereo mode, only 'Speaker 1, LEFT' supports AUX / LINE IN / OPTICAL connections.

It is not necessary to complete the TWS steps above for each use. Once completed during initial setup, the speakers will automatically connect to each other.

Bluetooth Connection

1. Enable Bluetooth on the device you wish to connect. On your device's Bluetooth menu, look for 'uStream One' and select it to connect. You will hear a voice command 'Connecting to Bluetooth'
2. You will hear a voice confirmation from the speaker to confirm connection. 'Bluetooth Connected'
3. You can now enjoy music from your device via any of your music apps and the sound should be in stereo from both speakers.

Connecting to a Smart Device to use as preferred sound source

You can use the uStream Ones as your preferred Bluetooth speaker with any smart home device such as an Amazon™ Echo or Google™ Home. This means you can use voice control to select what music to playback and listen in full stereo via your uStream One speakers.

Follow the instructions via your smart devices app on your mobile device or visit www.mitchellacoustics.co.uk for more a detailed explanation.

Adjusting the volume with remote control handset

Point the remote control at Speaker 1 (Left) and repeatedly press the **Volume +** button on the remote control handset. (Do not simply press and hold)

An audible beep will be heard when max volume is reached.

You can now use your device to adjust the volume up and down.

Connecting Other Devices

You may wish to connect other devices to the uStream One such as a TV, an external music player or a turntable.

There are 3 external auxiliary connections that can be used, but remember, they must be connected to **'Speaker 1'** in order to hear stereo sound from both speakers simultaneously.

The possible connections are:

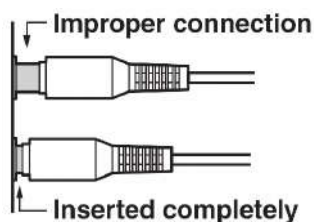
1. RCA left and right
2. 3.5mm stereo line in jack
3. Optical TOSLINK

Connection of Analog RCA Audio Cables

Pay attention to the plug colours and the left and right channels when connecting RCA audio cables.

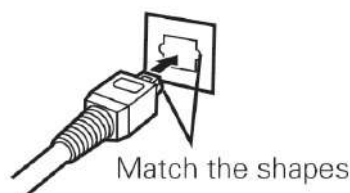


Ensure a good connection by making sure to insert plugs completely. Failure to insert fully can cause noise or malfunctions.



Correct Connection of Optical TOSLINK Cables

The speakers contain a high quality optical input which works with most televisions via a standard TOSLINK cable. Make sure your television is set to output digital audio in PCM format. Refer to the user manual of your television for details. Be careful to match the shapes correctly on the optical cables.



7. Disposal



Disposing of the Packaging

Sort the packaging before you dispose of it. Dispose of paper and cardboard with the recycled paper service and wrappings with the appropriate collection service.

Disposing of the Speakers

Old appliances may not be disposed of in the household waste!

Should the speakers no longer be capable of being used at some point in time, dispose of them in accordance with the regulations in force in your city or county. This ensures that old appliances are recycled in a responsible manner and also rules out negative consequences for the environment.

Disposing of the Battery

Batteries may not be disposed of with household waste!

As the end user you are required by law to bring all batteries, regardless whether they contain harmful substances* or not, to a collection point run by the communal authority or to a retailer, so that they can be disposed of in an environmentally friendly manner.

* labeled with: Cd = cadmium, Hg = mercury, Pb = lead

RoHS

8. Troubleshooting

PROBLEM	POSSIBLE SOLUTION
No power when switched on at rear	Wall socket not switched on or faulty Plug not fully inserted into wall socket Fuse in adaptor plug may have blown. Internal mains fuse has blown inside the AC adaptor, (this will need to be replaced by a qualified service technician) Fuse in household fuse box has blown or circuit has been tripped.
No sound	Power not turned on. Volume setting too low. No input audio equipment is connected or is faulty. Correct audio input source not selected on top panel.
No sound from one speaker	Audio source input cables connected incorrectly or damaged. TWS function not activated
Buzzing or Humming from either speaker	It is normal with Bluetooth audio for there to be a low level background noise when very low level audio is being played, like gaps in classical music. Audio connection cables are either damaged or not connected correctly
Remote control not working	Adjust the angle at which the remote control is pointed at the speaker. Check if the battery has been inserted correctly. Battery could be flat, replace to see. Remove any objects found between the remote control and the remote sensor. Make sure the distance between the remote control and the device does not exceed 5 m
Buttons do not function (on the unit and/or remote control)	Turn the unit off and then on again. As an alternative, turn the unit off, unplug it from the power outlet and plug in again.
I am experiencing dropouts on my RIGHT Speaker	Devices such as microwaves, cordless phones, Bluetooth, mouse or Wi-Fi devices connected to 2.4GHz that run on the same frequency may cause interference and result in dropouts. Try to remove this type of device from the vicinity. You can also make use of network analyzer apps available on the market to check the network and interference status.

9. Specification

Rated Output Power (RMS)	50 watts per channel
THD (Total Harmonic Distortion)	< 0.1 % (1 kHz 1 W)
Frequency Range	20 Hz-20 kHz
Impedance	8 ohms
Signal to Noise Ratio	>75dB
Analog Inputs	RCA L+R 3.5mm stereo mini-jack
Digital Input	TOSLINK Optical
Bluetooth	Action Technology V5.0 with True Wireless Stereo link between L+R speakers Bluetooth range approx. 33ft/10m
Amplifier	Texas Instruments TPA3116D2 Class D Digital Stereo Amplifier with AM Avoidance technology
Speaker Drivers	Woofer (low frequency) driver 4"/106mm CLARI-t voice coil with 20oz/566g neodymium magnet and magnesium alloy diaphragm Tweeter (high frequency) 1.5"/38mm driver CLARI-t
Power Supply	DC 24V 3A, AC adaptor 100-240V, 50/60 Hz
Dimensions	(W x H x D) : 150 x 235 x 230 mm 5 29/32' x 9 1/4" x 9 1/16"
Weight	3.3kg / 7lbs 40z each speaker
Origin	Precision engineered and manufactured in China

10. Declaration of Conformity

Mitchell Acoustics as manufacturer certifies that the following designated product

Mitchell Acoustics uStream One Bluetooth Stereo Speakers
are in full conformity with

ErP Directive 2009/125/EC

Commission Regulation: (EC) No. 1275/2008 (EU) No. 801/2013

Test Standard EN 50564:2011

RoHS directive 2011/65/EU and the amendment directive (EU) 2015/863

EMC

ETSI EN 301 489-1 V2.2.3 (2019-11), (Draft) ETSI EN 301 489-17 V3.2.2 (2019-12),

EN 55032:2015, EN 55035:2017, EN 61000-3-2:2019, EN 61000-3-3:2019

The designated products were subject to sample testing for which

RED (Radio Equipment Directive) 2014/53/EU

EN 62479:2010, EN 62368-1:2014+A11:2017, EN 301 489-1 V2.2.3, (draft) EN 301 489-17 V3.2.2, EN 300 328 V2.2.2

LVD (Low Voltage Directive) 2014/35/EU

Shenzhen NTEK Testing Technology Co., Ltd

1/F, Building E, Fenda Science Park, Sanwei Community, Xixiang Street,
Bao'an District, Shenzhen 518126 P.R.China.

issued test reports numbered:

S20051301901001, S20051301902001, S20051301907001, S20051301908001

And therefore the products comply with the essential requirements and the provisions of the EU Directives.

RoHs

Mitchell Acoustics has a policy of appointing independent 3rd party specialists to advise on manufacturing to ensure that manufacturing partners comply with product material content testing; seeking confirmation from suppliers that materials meet the RoHs standards, and have remedial and replacement programs in place, and that manufacturers have procedures in place for identifying, segregating and replacing compliant from non-compliant materials

The declaration is the sole responsibility of the manufacturer / importer.

The reports are held on file at :-

Mitchell Acoustics Limited

Turner House, 9-10 Mill Lane, Alton, Hants GU34 2QG UNITED KINGDOM

Date: 15th July 2020

Signed:



Paul Mitchell - Director

FCC Statement

This equipment has been tested and found to comply with the limits for a Class B digital device, pursuant to Part 15 of the FCC Rules. These limits are designed to provide reasonable protection against harmful interference in a residential installation. This equipment generates, uses and can radiate radio frequency energy and, if not installed and used in accordance with the instructions, may cause harmful interference to radio communications. However, there is no guarantee that interference will not occur in a particular installation. If this equipment does cause harmful interference to radio or television reception, which can be determined by turning the equipment off and on, the user is encouraged to try to correct the interference by one of the following measures:

Reorient or relocate the receiving antenna.

Increase the separation between the equipment and receiver.

Connect the equipment into an outlet on a circuit different from that to which the receiver is connected.

Consult the dealer or an experienced radio/TV technician for help.

This device complies with Part 15 of the FCC Rules. Operation is subject to the following two conditions:

1. This device may not cause harmful interference, and
2. This device must accept any interference received, including interference that may cause undesired operation.¹⁰

FCC Radiation Exposure Statement

This device complies with FCC radiation exposure limits set forth for an uncontrolled environment and it also complies with Part 15 of the FCC RF Rules. This equipment must be installed and operated in accordance with provided instructions and the antenna(s) used for this transmitter must be installed to provide a separation distance of at least 20 cm from all persons and must not be co-located or operating in conjunction with any other antenna or transmitter. End-users and installers must be provided with antenna installation instructions and consider removing the no-collocation statement.

The device meets the exemption from the routine evaluation limits in section 2.5 of RSS 102 and compliance with RSS-102 RF exposure, users can obtain Canadian information on RF exposure and compliance.

The device for operation in the band 5150-5250 MHz is only for indoor use to reduce the potential harmful interference to co-channel mobile satellite systems.

For devices with detachable antenna(s), the maximum antenna gain permitted for devices in the band 5725-5850 MHz shall be such that the equipment still complies with the e.i.r.p. limits specified for point-to-point and non-point-to-point operation as appropriate.

CAUTION! Any changes or modifications not expressly approved by the party responsible for compliance could void the user's authority to operate the equipment.

IC Statement

This device complies with Industry Canada's licence-exempt RSSs. Operation is subject to the following two conditions:

1. This device may not cause interference; and
2. This device must accept any interference, including interference that may cause undesired operation of the device.

This transmitter must not be co-located or operating in conjunction with any other antenna or transmitter. This equipment should be installed and operated with a minimum distance of 20 centimeters between the radiator and your body.

IC Radiation Exposure Statement

This equipment complies with IC RSS-102 radiation exposure limits set forth for an uncontrolled environment. This equipment should be installed and operated with a minimum distance of 20 cm between the radiator and any part of your body.

UL Statement

The AC power adaptor has been tested and found to conform to UL standard 62368-1

CSA Statement

The AC power adaptor complies with as is certified to CSA standard C22.2 No:62368-1

CE FC



Intertek

Conforms to UL STD 62368-1 & CSA STD C22.2 NO.62368-1

Un agradecimiento de Paul Mitchell

Gracias por decidir comprar este producto Mitchell Acoustics. Significa mucho para mí, ya que he trabajado duro y he pasado muchas noches sin dormir diseñándolo y desarrollándolo y realmente espero que supere tus expectativas y que disfrutes usándolo.

Este manual de instrucciones le dará una idea general de cómo funciona este dispositivo, además de proporcionarle información sobre procedimientos de seguridad y limpieza. Para mantener este producto en buenas condiciones y garantizar su funcionamiento seguro, tómese unos minutos para leer y seguir atentamente todas las instrucciones de seguridad y funcionamiento que se encuentran en este manual.

Conserve este manual de instrucciones para consultarlo en el futuro y entréguelo junto con el dispositivo si se lo entrega a un tercero. Si tiene alguna pregunta adicional sobre el funcionamiento o la instalación de este dispositivo, o si surge algún problema con su uso, comuníquese con un distribuidor especializado o con nuestro equipo de servicio para obtener más información.

No asumimos ninguna responsabilidad por cualquier daño incurrido como resultado del uso inadecuado que resulte del incumplimiento de las instrucciones de seguridad que se encuentran en este manual. En tales circunstancias, todas las reclamaciones bajo garantía serán nulas y sin efecto. ¡No asumimos ninguna responsabilidad por daños indirectos!

Este producto está certificado por EMV y cumple con todos los requisitos de las directrices europeas, estadounidenses y nacionales. Se han realizado todas las pruebas pertinentes y se ha recibido la certificación. Puede encontrar una declaración de conformidad al final de este manual.

Para obtener más información, visite www.mitchellacoustics.co.uk.

Tuyo sinceramente,



Paul Mitchell
Founder & CEO
Mitchell Acoustics Ltd



Tabla de Contenidos

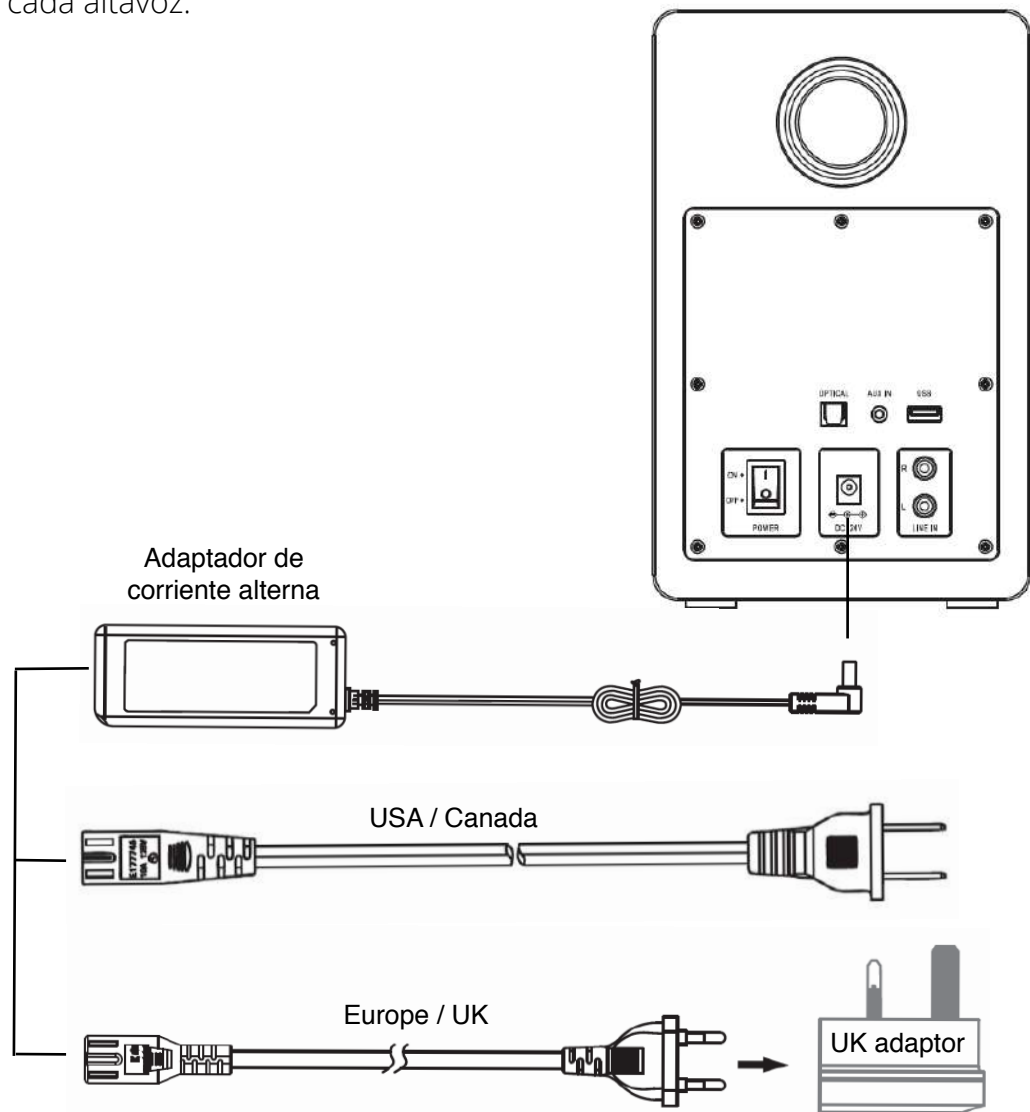
1	Guía de inicio rápido	30
2	Uso Previsto	32
3	Información de Seguridad	33
4	En La Caja	34
5	Descripción de las Partes	35
6	Puesta en Marcha Inicial	40
	Marcha Inicial y Conexión a la corriente eléctrica	40
	Conexión a un dispositivo inteligente para usar como fuente de sonido preferida	40
	Ajuste del volumen con el mando a distancia	41
	Conectar Otros Dispositivos	41
	Conexión Analógica de Cables de Audio RCA	41
	Conexión correcta de cables ópticos TOSLINK	41
7	Disposición	42
8	Solución de Problemas	43
9	Especificaciones	44
10	DECLARACIÓN DE CONFORMIDAD	46

Antes de Usar

Lea este manual de instrucciones detenidamente antes de utilizar este equipo y consérvelo para futuras consultas. Seguir y prestar atención a toda la información que se encuentra en este manual de instrucciones mantendrá el equipo en buenas condiciones y garantizará su funcionamiento seguro. Este manual de instrucciones contiene información sobre cómo operar y mantener este equipo. Si un componente requiere mantenimiento, servicio o reparación, consulte a un distribuidor o servicio técnico autorizado.

1. Guía de inicio rápido

1. Busque una ubicación adecuada para sus altavoces uStream One. Asegúrese de que la superficie sea estable con suficiente espacio para conectar el cable de alimentación.
2. Localice las 2 cajas blancas que contienen los adaptadores de alimentación de CA y los cables.
3. Inserte el cable de alimentación del adaptador de CA en la toma de 24 V del panel trasero de cada altavoz.



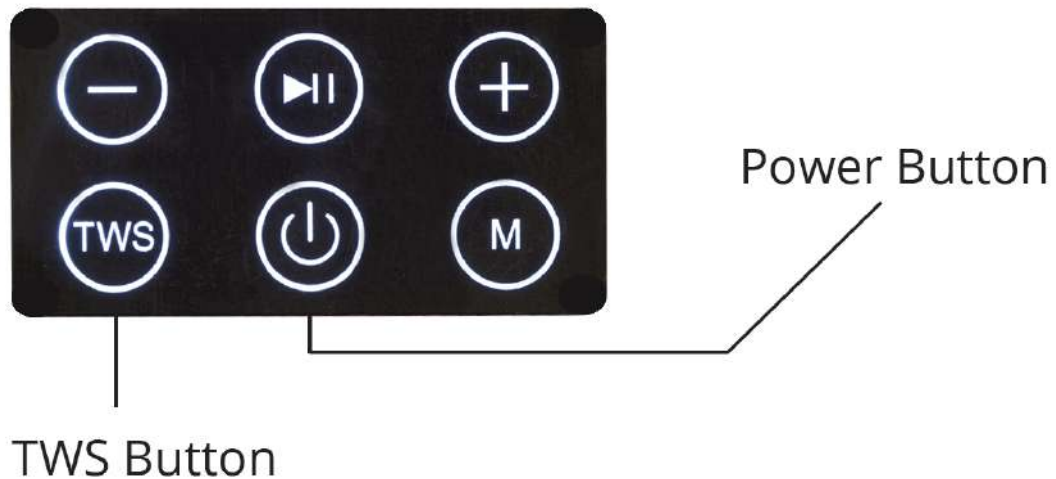
4. Localice los cables de alimentación correspondientes a su ubicación. Deseche los demás cables de alimentación. Enchufe un extremo del cable de alimentación en la toma de 2 clavijas del adaptador de alimentación de CA y el otro extremo en una toma de corriente.

Encienda el interruptor de encendido en la parte posterior del altavoz.

5. Coloque los altavoces.

TENGA EN CUENTA QUE ENCIENDA EL ALTAVOZ IZQUIERDO PRIMERO. Este se convertirá en el altavoz 1.

Encienda cada altavoz presionando el botón de encendido durante 2 segundos. Escuchará una respuesta de voz **"Power On (Encendido)"** para confirmar, seguida del modo predeterminado, **"Bluetooth"**.



6. Una vez que cada altavoz esté encendido, presione el botón TWS en el altavoz IZQUIERDO (no ambos). Se escuchará la respuesta de voz **"Connecting to Speaker 2 (Conectando al altavoz 2)"**, seguida unos segundos más tarde por el comando de voz **"Speaker 2 Connected (Altavoz 2 conectado)"**.

7. En el dispositivo Bluetooth que desea conectar a los altavoces, busque **"uStream One"** en la lista de dispositivos disponibles para conectarse y selecciónelo. Se escuchará el comando de voz **"Connecting to Bluetooth..Bluetooth Connected (Conectando a Bluetooth..Bluetooth conectado)"**.

NOTA: si ve más de un "uStream One" en la lista de los dispositivos BT de su dispositivo, significa que los altavoces izquierdo y derecho no están conectados entre sí. Regrese y siga los pasos en 4. arriba.

8. Cualquier sonido que se pueda reproducir en su teléfono ahora vendrá de los parlantes uStream One en ESTÉREO.

ANTES DE UTILIZAR EL CONTROL REMOTO, CONSULTE LA PÁGINA 37

9. Utilice el mando a distancia suministrado (apúntelo hacia el altavoz IZQUIERDO) para aumentar el volumen al máximo. Para hacer esto, debe presionar repetidamente el botón "Vol +" en el control remoto. Cuando se alcance el volumen máximo, escuchará una serie de "pitidos" fuertes.

Ahora puede usar el control de volumen de su dispositivo para ajustar el volumen general.

2. Uso previsto

Este dispositivo es un altavoz activo integrado diseñado para combinar varios componentes de alta fidelidad o dispositivos Bluetooth conectados a sus entradas.

Observe toda la información e instrucciones de seguridad que se encuentran en este manual de instrucciones.

3. Información de seguridad

Las siguientes advertencias de seguridad y peligro no son solo para la protección de su equipo, sino que también sirven como protección contra posibles peligros para la salud. Tómese tiempo para leer atentamente las siguientes instrucciones.

No asumimos ninguna responsabilidad por daños personales o materiales que resulten del incumplimiento de las instrucciones de seguridad o de una operación o manipulación inadecuada. En tales circunstancias, todas las reclamaciones bajo garantía quedarán anuladas.

- Por razones de seguridad y certificaciones (CE), cualquier modificación y /o cambio no autorizado en el equipo está prohibido y anulará la garantía y todas las reclamaciones de garantía
- Cualquier persona que opere, instale, configure o dé servicio a este dispositivo debe estar capacitada y cualificada en consecuencia, y observar estas instrucciones de operación.
- Asegúrese de que el dispositivo se haya configurado correctamente siguiendo todas las instrucciones que se encuentran en el manual de instrucciones
- Los cables de alimentación deben colocarse de manera que no sea probable que se pisen, aplasten o aplasten con elementos colocados sobre ellos o contra ellos. Preste especial atención a los cables en los enchufes, tomas de corriente y en el punto en el que salen del dispositivo. Evite exponer el cable a calor o frío extremos. Ignorar las instrucciones mencionadas anteriormente podría resultar en daños al cable y presentar el peligro de una descarga eléctrica.
- Para cortar completamente el suministro de energía al dispositivo, desenchufe el enchufe de la toma de corriente. No basta con apagar el dispositivo con el botón ON / OFF. Asegúrese también de que las tomas de corriente sean de fácil acceso.
- Siempre tire de las empuñaduras del enchufe y nunca del cable para sacarlo de una toma de corriente. Desenchufe el dispositivo de la toma de corriente si no lo utilizará durante un período de tiempo prolongado.
- No utilice nunca el dispositivo si el cable de alimentación o el dispositivo están dañados.
- Los altavoces nunca deben entrar en contacto con agua o humedad y no deben colocarse objetos llenos de líquido, como jarrones, sobre los altavoces.
- Utilice los altavoces en un clima moderado y nunca los exponga a temperaturas extremas, como alta humedad.
- Asegúrese de que los altavoces estén colocados sobre una superficie firme y estable o montados en soportes o soportes de montaje adecuados.
- Tenga en cuenta que la presión sonora excesiva creada al escuchar niveles de volumen altos durante períodos prolongados puede provocar daños auditivos permanentes.
- Siga la información de seguridad adicional que se encuentra en los capítulos individuales de este manual de instrucciones.
- Cuando conecte otros dispositivos, consulte las instrucciones de seguridad y funcionamiento que se encuentran en la literatura que acompaña al dispositivo.
- Limpiar solo con un paño seco.
- Comuníquese con nosotros o con un técnico de servicio para obtener más información, si tiene dudas sobre el funcionamiento del dispositivo, la seguridad o al realizar las conexiones, o si surge alguna pregunta que no se explica en este manual.
- Contribuya a mejorar el medio ambiente mediante el uso de un sitio de reciclaje designado para la eliminación del material de embalaje.

Interferencia electromagnética

- El funcionamiento normal del producto puede verse afectado por fuertes interferencias electromagnéticas de otros dispositivos. Si es así, simplemente reinicie el producto para reanudar el funcionamiento normal siguiendo el manual del usuario. Si esto falla, puede ser necesario usar los altavoces en una ubicación diferente.

4. En La Caja

Los siguientes accesorios se suministran con el equipo. Compruebe que todas estas partes estén presentes antes de continuar. Informe a su distribuidor si alguna falta o está dañada.

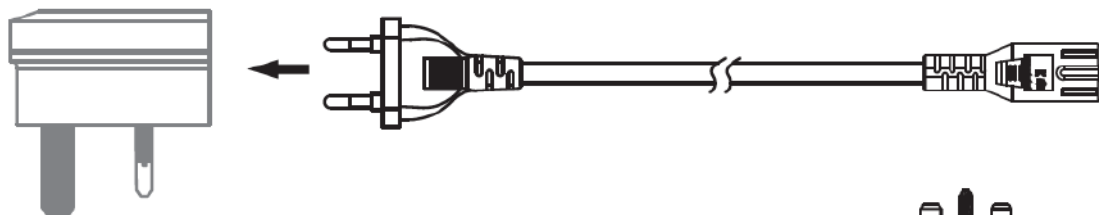
2 x uStream One Altavoz



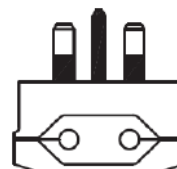
1 x Mando a Distancia



2 x Cable de conexión eléctrica (2 x USA, 2 x Europa)



2 x Adaptador para UK



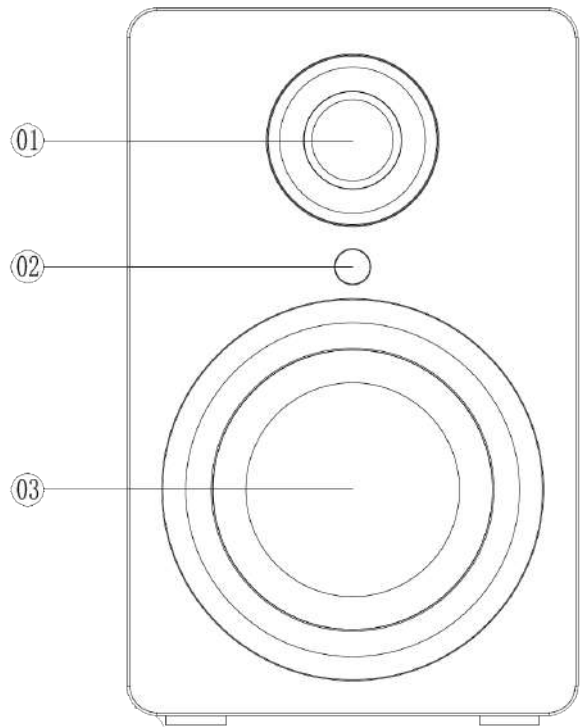
2 x Alimentador/Adaptador CA-CC



5. Descripción de las Partes

FRONTAL

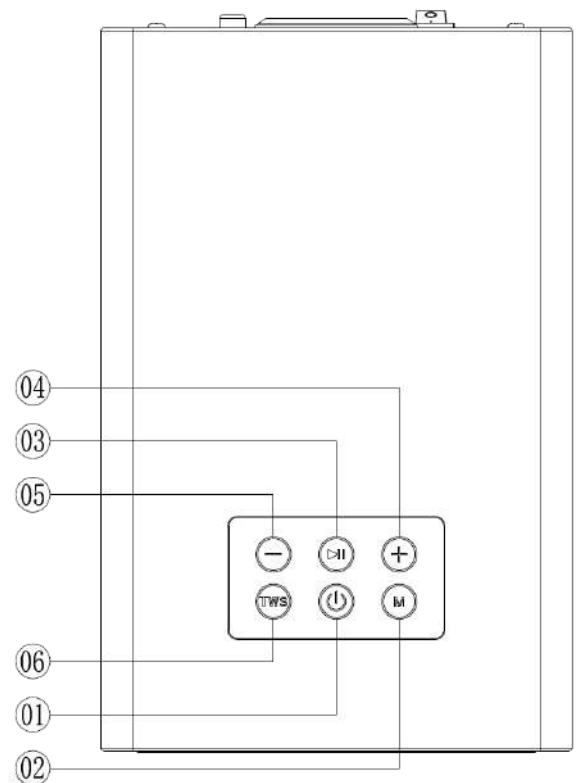
1. Altavoz de Agudos
2. Receptor del Mando a Distancia
3. Altavoz de Bajos



ESPAÑOL

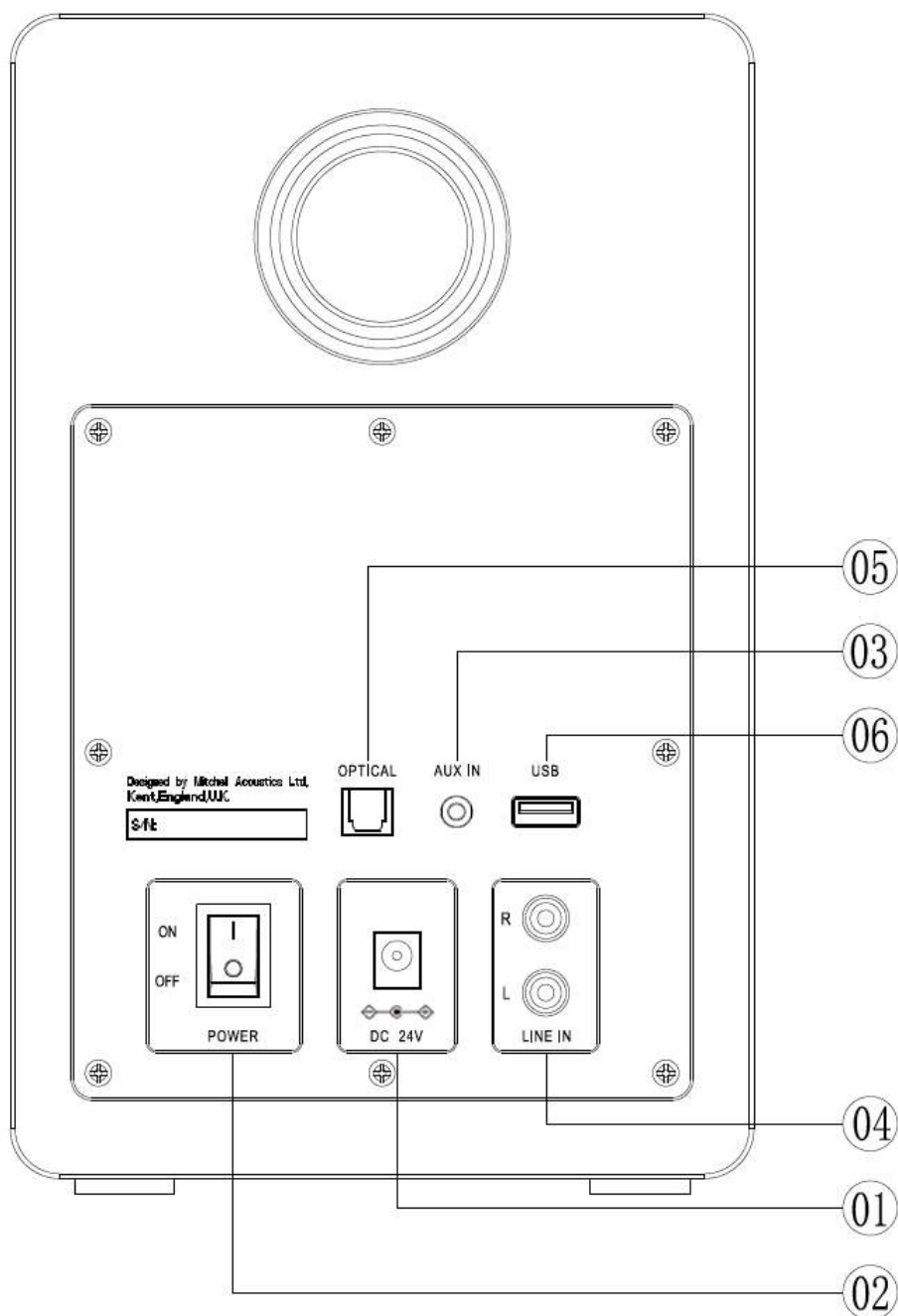
PANEL SUPERIOR

1. Botón de encendido: presione y mantenga presionado durante 2 segundos para encender, presione y mantenga presionado durante 5 segundos para apagar. (* La unidad se apagará automáticamente después de 15 minutos si no hay entrada de señal).
2. Botón de modo: Mantenga presionado durante 2 segundos para la lista de opciones, en una secuencia de función que es BLUETOOTH / AUX-IN / LINE-IN / OPTICAL. Cada pulsación va acompañada de un comando de voz que confirma el modo.
3. Botón de reproducción / pausa: presione y mantenga presionado para reproducir la pista, luego presione y mantenga presionado para pausar la pista. Mantenga pulsado durante 5 segundos para desconectar la conexión BT.
4. Botón de volumen + / siguiente: mantenga pulsado para acceder a la siguiente pista de la lista de reproducción. Presione brevemente para aumentar el volumen.
5. Botón de volumen / anterior: mantenga pulsado para acceder a la última pista de la lista de reproducción. Presione brevemente para bajar el volumen.
6. Botón TWS: presione brevemente cualquiera de los dos para conectar los altavoces, la unidad estará automáticamente en modo TWS (las unidades intentarán conectarse automáticamente a través de TWS cuando se enciendan una vez que se haya realizado la configuración inicial, por lo que el uso de este botón solo es necesario si el emparejamiento falla debido al reposicionamiento de los altavoces).



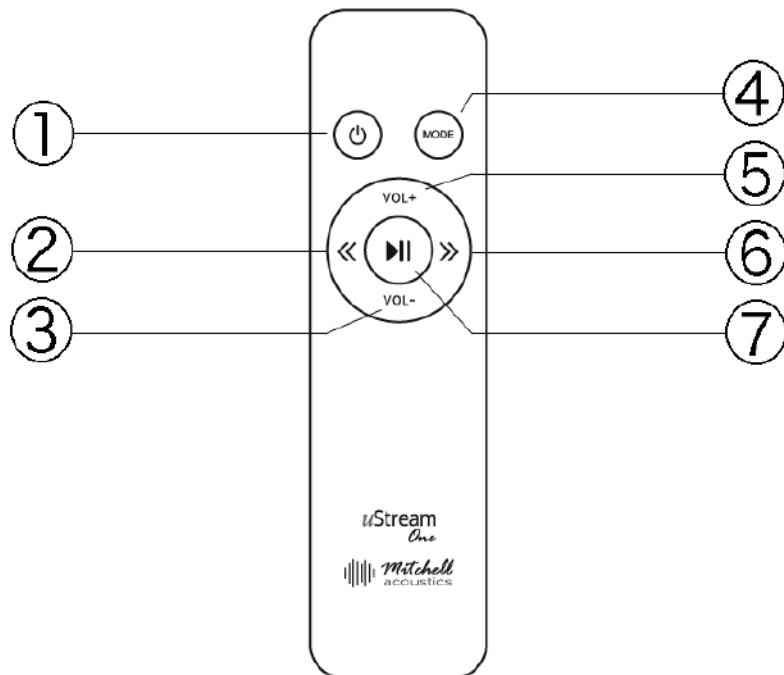
PANEL TRASERO

1. Entrada CC 24V 3A. Inserte el conector redondo al final del cable del alimentador/ adaptador de CA-CC
2. Interruptor de encendido / apagado
3. Conector tipo jack estéreo AUX IN de 3,5 mm
4. Entrada de línea estéreo RCA izquierdo y RCA derecho
5. OPTICAL IN para entrada Óptica TOSLINK
6. Entrada USB para actualización de firmware USB



Mando a Distancia

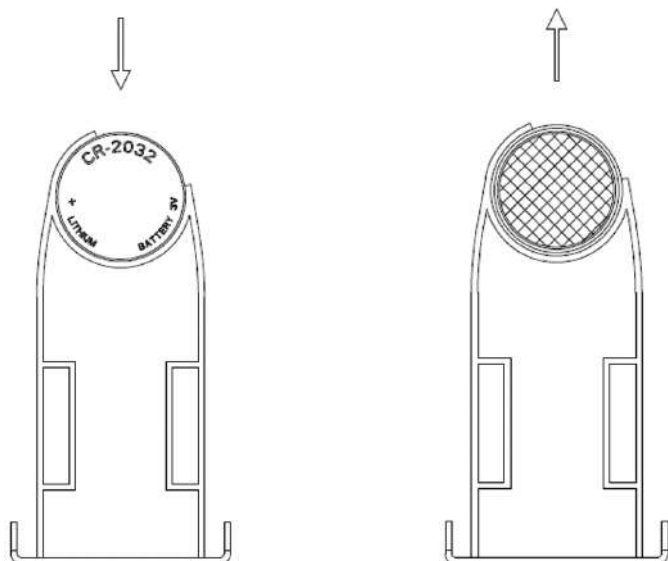
1. Encender desde el modo en espera
2. Pista Previa
3. Volumen Bajar
4. Modo – BT/AUX/LINE/OPTICAL
5. Volumen Subir
6. Pista Siguiente
7. REPRODUCCIÓN/PAUSA. Mantenga pulsado durante 5 segundos para desconectar la conexión BT.



Batería del mando a distancia

El mando a distancia se suministra con una pila CR-2032. Sin embargo, se ha colocado deliberadamente al revés para preservar la vida útil de la batería antes del primer uso.

Retire la bandeja de la batería como se indica y retire la batería y reemplácela con los números hacia abajo. Luego reemplace la bandeja de la batería como se indica.



Información sobre el manejo de baterías

Please adhere to the following information when handling batteries and rechargeable batteries.


- Mantenga las baterías fuera del alcance de los niños.
- Nunca deje las baterías sin supervisión. Si se ingieren, estos pueden representar un peligro de asfixia para los niños y las mascotas. Busque atención médica de emergencia de inmediato, si esto sucediera.
- Las baterías son peligrosas y no deben tirarse a la basura doméstica.
- Asegúrese de que la polaridad sea la correcta al insertar las pilas.
- Nunca exponga las baterías a temperaturas extremas, como la luz del sol, fuego, hornos, etc. Existe riesgo de explosión!
- Asegúrese de que las baterías no estén desmontadas, cortocircuitadas o arrojadas al fuego.
- Tocar las baterías dañadas o con fugas puede causar quemaduras en la piel. Utilice guantes de protección adecuados para manipular estas baterías.

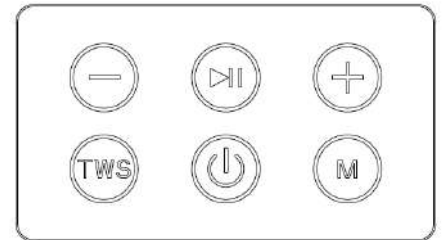
6. Puesta en Marcha Inicial

Conexión a la corriente eléctrica

1. Hay 2 cables de alimentación en cada caja de alimentación. Uno es para América del Norte y el otro es para Europa. Para uso en el Reino Unido, hay un adaptador en el que se debe insertar el cable europeo de dos clavijas como se muestra en la Guía de inicio rápido. Conecte el cable de alimentación de CA correspondiente al adaptador de CA-CC suministrado.
2. Conecte el cable del adaptador de CC a la parte posterior de cada altavoz.
3. Conecte el cable de alimentación de CA a la red eléctrica.
4. Encienda la alimentación mediante el interruptor de encendido / apagado en la parte posterior de cada altavoz.

Posicionamiento inicial y encendido

1. El altavoz IZQUIERDO debe encenderse PRIMERO y siempre será el altavoz 1.
2. Encienda los altavoces presionando  en el panel superior durante 2 segundos.
3. Se escuchará la voz de confirmación. "Power On" como confirmación del modo.



Conexión TWS (True Wireless Stereo)

1. Asegúrese de que los altavoces no tengan una conexión Bluetooth activa con un dispositivo. Apague Bluetooth en el dispositivo que desea conectar a los altavoces antes de emparejar los altavoces entre sí.
2. Pulse el botón "TWS" en el altavoz 1 (altavoz izquierdo) para iniciar el modo de emparejamiento automático entre las dos unidades. Hay una confirmación de voz "Conectando al altavoz 2" seguido de "Speaker 2 connected".

NB: En el modo True Wireless Stereo, solo "Speaker 1, LEFT" admite conexiones AUX / LINE IN / OPTICAL.

Conexión Bluetooth

1. Habilite Bluetooth en el dispositivo que desea conectar. En el menú de Bluetooth de su dispositivo, busque "uStream One" y selecciónelo para conectarse. Oirá el comando de voz 'Connecting to Bluetooth'
2. Escuchará una confirmación de voz del altavoz para confirmar la conexión. 'Bluetooth Connected'
3. Ahora puede disfrutar de la música de su dispositivo a través de cualquiera de sus aplicaciones de música y el sonido debe ser estéreo desde ambos altavoces.

Conexión a un dispositivo inteligente para usar como fuente de sonido preferida

Puede utilizar los uStream One como su altavoz Bluetooth preferido con cualquier dispositivo doméstico inteligente como Amazon™ Echo o Google™ Home.

Esto significa que puede usar el control por voz para seleccionar qué música reproducir y escuchar en estéreo completo a través de sus altavoces uStream One.

Siga las instrucciones a través de la aplicación de su dispositivo inteligente en su dispositivo móvil o visite www.mitchellacoustics.co.uk para una explicación más detallada.

Ajuste del volumen con el mando a distancia

Apunte el mando de control remoto al Altavoz 1 (izquierda) y presione repetidamente el botón **Volume +** en el mando a distancia. (No presione y mantenga presionado) Se escuchará un pitido cuando se alcance el volumen máximo.

Ahora puede usar su dispositivo para ajustar el volumen hacia arriba y hacia abajo.

Conectar Otros Dispositivos

Es posible que desee conectar otros dispositivos al uStream One, como un reproductor de música externo o un tocadiscos. Hay 3 conexiones auxiliares externas que se pueden usar, pero recuerde, deben estar conectadas al "Altavoz 1" para escuchar sonido estéreo desde ambos altavoces simultáneamente.

Las posibles conexiones son:

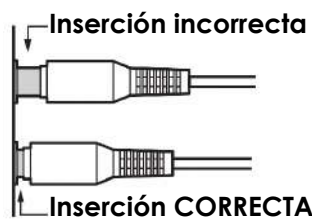
1. RCA canal izquierdo y derecho
2. Conector de entrada de línea estéreo de 3,5 mm
3. TOSLINK óptico

Conexión Analógica de Cables de Audio RCA

Preste atención a los colores de las clavijas y los canales izquierdo y derecho al conectar cables de audio RCA.



Realice una conexión correcta asegurándose de insertar los enchufes completamente. Si no se insertan completamente, se pueden producir ruidos o mal funcionamiento.



Conexión correcta de cables ópticos TOSLINK

Los altavoces contienen una entrada óptica de alta calidad que funciona con la mayoría de los televisores a través de un cable TOSLINK estándar. Asegúrese de que su televisor esté configurado para emitir audio digital en PCM formato. Consulte el manual de usuario de su televisor para obtener más detalles. Tenga cuidado de hacer coincidir el formas correctamente en los cables ópticos.



7. Disposición



Eliminación del embalaje

Clasifique el embalaje antes de desecharlo. Deseche papel y cartón con el servicio de papel reciclado y envoltorios con el servicio de recogida correspondiente.

Eliminación del altavoz

¡Los aparatos viejos no se pueden tirar a la basura doméstica!

Si los altavoces ya no se pueden utilizar, deséchelos de acuerdo con con la normativa vigente en su ciudad o condado. Esto asegura que los electrodomésticos viejos se reciclen en un de manera responsable y también descarta consecuencias negativas para el medio ambiente.

Eliminación de la batería

¡Las baterías no se pueden desechar con la basura doméstica!

Como usuario final, está obligado por ley a traer todas las baterías, independientemente de si contienen sustancias * o no, a un punto de recogida gestionado por la autoridad comunal o a un minorista, para que puedan ser desechados de forma respetuosa con el medio ambiente.

* etiquetado con: Cd = cadmium, Hg = mercury, Pb = lead

RoHS

8. Solución de Problemas

PROBLEM	POSSIBLE SOLUTION
No hay energía cuando se enciende en la parte trasera	Toma de pared no encendida o defectuosa. El enchufe no está completamente insertado en la toma de pared. Es posible que se haya fundido el fusible del enchufe. Se ha fundido un fusible de red interno dentro del adaptador de CA, esto deberá ser reemplazado por un técnico de servicio cualificado.
No hay sonido	No está encendido Ajuste de volumen demasiado bajo No hay ningún equipo de audio de entrada conectado o está defectuoso. Fuente de entrada de audio correcta no seleccionada en el panel superior.
No hay Sonido en un canal	Cables de entrada de fuente de audio conectados incorrectamente o dañados. Función TWS no activada
Zumbido o zumbido fuerte	Es normal con el audio Bluetooth que haya un ruido de fondo de bajo nivel cuando se reproduce audio de muy bajo nivel, como lagunas en la música clásica. Cables de entrada de audio dañados o incorrectamente conectados.
Mando a distancia no funciona	Ajuste el ángulo en el que el control remoto apunta al altavoz. Compruebe si la batería se ha insertado correctamente. La batería podría estar descargada, reemplácela para ver. Retire cualquier objeto que se encuentre entre el control remoto y el sensor remoto. Asegúrese de que la distancia entre el mando a distancia y el dispositivo no supere los 5 m
Los botones no funcionan (en el altavoz y / o el mando a distancia)	Apague la unidad y vuelva a encenderla. Como alternativa, apague el altavoz, desconéctelo de la toma de corriente y vuelva a enchufarlo.
Abandonos en el altavoz DERECHO	Los dispositivos como microondas, teléfonos inalámbricos, Bluetooth, mouse o dispositivos Wi-Fi conectados a 2.4GHz que se ejecutan en la misma frecuencia pueden causar interferencias y provocar interrupciones. Intente retirar este tipo de dispositivo de las inmediaciones. También puede hacer uso de las aplicaciones de análisis de red disponibles en el mercado para verificar el estado de la red y la interferencia.

9. Epecificaciones

Potencia Nominal de Salida (RMS)	50 watts por canal
DAT (Distorsión Armónica Total)	< 0.1 % (1 kHz 1 W)
Frecuencia de Respuesta	20 Hz-20 kHz
Impedancia	8 ohms
Relación Señal Ruido	>75dB
Entradas Analógicas	RCA L+R 3.5mm mini-jack estereo
Entradas Digitales	TOSLINK Opitca
Bluetooth	Action Technology V5.0 con enlace True Wireless Stereo entre L+R altavoz Bluetooth rango aproximado. 33ft/ 10m
Amplificador	Texas Instruments TPA3116D2 Class D Digital Amplificador estéreo con tecnología AM Avoidance
Altavoz Drivers	Controlador de woofer (baja frecuencia) Bobina de voz CLARI-t de 4" / 106 mm con imán de neodimio de 20 oz / 566 g y diafragma de aleación de magnesio Tweeter (alta frecuencia) Driver de 38 mm / 1,5" CLARI-t
Alimentación	CC 24V 3A, adaptador CA 100-230V, 50/60 Hz
Dimensions	(AN x A x P) : 150 x 235 x 230 mm 5 29/32" x 9 1/4" x 9 1/16"
Weight	3.3kg / 7lbs 40z cada altavoz
Origen	Diseñado y fabricado con precisión en China

10. DECLARACIÓN DE CONFORMIDAD

Mitchell Acoustics como fabricante certifica que el siguiente producto denominado
Altavoces estéreo Bluetooth uStream One de Mitchell Acoustics
es plenamente conforme con lo siguiente:

ErP Directive 2009/125/EC

Commission Regulation: (EC) No. 1275/2008 (EU) No. 801/2013

Test Standard EN 50564:2011

RoHS directive 2011/65/EU and the amendment directive (EU) 2015/863

EMC

ETSI EN 301 489-1 V2.2.3 (2019-11), (Draft) ETSI EN 301 489-17 V3.2.2 (2019-12),
EN 55032:2015, EN 55035:2017, EN 61000-3-2:2019, EN 61000-3-3:2019

The designated products were subject to sample testing for which

RED (Radio Equipment Directive) 2014/53/EU

EN 62479:2010, EN 62368-1:2014+A11:2017, EN 301 489-1 V2.2.3, (draft) EN 301 489-17
V3.2.2, EN 300 328 V2.2.2

LVD (Low Voltage Directive) 2014/35/EU

Shenzhen NTEK Testing Technology Co., Ltd

1/F, Building E, Fenda Science Park, Sanwei Community, Xixiang Street,
Bao'an District, Shenzhen 518126 P.R.China.

test reports numerados:

S20051301901001, S20051301902001, S20051301907001, S20051301908001

Y por tanto los productos cumplen con los requisitos esenciales
y las disposiciones de las Directivas de la UE.

RoHs

Mitchell Acoustics mantiene una política de nombrar especialistas externos independientes para asesorar sobre la fabricación y garantizar que los fabricantes designados cumplan con las pruebas de contenido de materiales del producto; requiere la confirmación de los proveedores de que los materiales cumplen con los estándares de RoHs y que existen programas de resolución y reemplazo, y que los fabricantes cuentan con procedimientos para identificar, separar y reemplazar los materiales que cumplen con los que no cumplen.

La declaración es responsabilidad exclusiva del fabricante / importador.

Los informes están archivados en:

Mitchell Acoustics Limited

Turner House, 9-10 Mill Lane, Alton, Hants GU34 2QG UNITED KINGDOM

Date: 15th July 2020

Signed:



Paul Mitchell - Director

FCC Declaración

Este equipo ha sido probado y cumple con los límites para un dispositivo digital de Clase B, de acuerdo con la Parte 15 de las Reglas de la FCC. Estos límites están diseñados para proporcionar una protección razonable contra interferencias perjudiciales en una instalación residencial. Este equipo genera, usa y puede irradiar energía de radiofrecuencia y, si no se instala y usa de acuerdo con las instrucciones, puede causar interferencias dañinas en las comunicaciones por radio. Sin embargo, no hay garantía de que no se produzcan interferencias en una instalación en particular. Si este equipo causa interferencia dañina en la recepción de radio o televisión, lo cual se puede determinar encendiendo y apagando el equipo, se recomienda al usuario que intente corregir la interferencia mediante una de las siguientes medidas:

Reorientar o reubicar la antena receptora.

Aumente la separación entre el equipo y el receptor.

Conecte el equipo a una toma de corriente en un circuito diferente al que está conectado el receptor.

Consulte con el distribuidor o con un técnico de radio / TV experimentado para obtener ayuda.

Este dispositivo cumple con la Parte 15 de las Reglas de la FCC. El funcionamiento está sujeto a las dos condiciones siguientes:

1. Este dispositivo no puede causar interferencias perjudiciales y
2. Este dispositivo debe aceptar cualquier interferencia recibida, incluida la interferencia que pueda causar un funcionamiento no deseado.

FCC Declaración de exposición a la radiación

Este dispositivo cumple con los límites de exposición a la radiación de la FCC establecidos para un entorno no controlado y también cumple con la Parte 15 de las Reglas de RF de la FCC. Este equipo debe instalarse y operarse de acuerdo con las instrucciones provistas y las antenas utilizadas para este transmisor deben instalarse para proporcionar una distancia de separación de al menos 20 cm de todas las personas y no deben ubicarse u operar junto con cualquier otra antena o transmisor. Los usuarios finales e instaladores deben recibir instrucciones de instalación de la antena y considerar la posibilidad de eliminar la declaración de no colocación. El dispositivo cumple con la exención de los límites de evaluación de rutina en la sección 2.5 de RSS 102 y cumple con la exposición a RF de RSS-102, los usuarios pueden obtener información canadiense sobre exposición y cumplimiento de RF. El dispositivo para operar en la banda 5150-5250 MHz es solo para uso en interiores para reducir la posible interferencia dañina a los sistemas de satélite móviles cocanal.

Para dispositivos con antenas desmontables, la ganancia máxima de antena permitida para dispositivos en la banda 5725-5850 MHz será tal que el equipo aún cumpla con la p.i.r.e. límites especificados para la operación punto a punto y no punto a punto, según corresponda.

¡PRECAUCIÓN! Cualquier cambio o modificación no aprobado expresamente por la parte responsable del cumplimiento podría anular la autoridad del usuario para operar el equipo.

IC Declaración

Este dispositivo cumple con los RSS exentos de licencia de Industry Canada. El funcionamiento está sujeto a las dos condiciones siguientes:

1. Este dispositivo no puede causar interferencias; y
2. Este dispositivo debe aceptar cualquier interferencia, incluida la interferencia que pueda causar un funcionamiento no deseado del dispositivo.

Este transmisor no debe ubicarse ni funcionar junto con ninguna otra antena o transmisor. Este equipo debe instalarse y utilizarse con una distancia mínima de 20 centímetros entre el radiador y su cuerpo.

IC Declaración de exposición a la radiación

Este equipo cumple con los límites de exposición a la radiación IC RSS-102 establecidos para un entorno no controlado. Este equipo debe instalarse y utilizarse con una distancia mínima de 20 cm entre el radiador y cualquier parte de su cuerpo.

Declaración de UL

El adaptador de alimentación de CA ha sido probado y cumple con UL 62368-1

Declaración CSA

El adaptador de alimentación de CA ha sido probado y cumple con la certificación CSA C22.2 No: 62368-1

CE FC



Intertek

Conforms to UL STD 62368-1 & CSA STD C22.2 NO.62368-1

Un merci de Paul Mitchell

Merci d'avoir décidé d'acheter ce produit Mitchell Acoustics. Cela signifie beaucoup pour moi car j'ai travaillé dur et passé de nombreuses nuits blanches à le concevoir et à le développer et j'espère vraiment qu'il dépassera vos attentes et que vous apprécierez de l'utiliser.

Ce manuel d'instructions vous donnera une idée générale du fonctionnement de cet appareil, ainsi que des informations sur les procédures de sécurité et le nettoyage. Afin de maintenir ce produit en bon état et de garantir son fonctionnement en toute sécurité, veuillez prendre quelques minutes pour lire et suivre attentivement toutes les instructions de sécurité et d'utilisation contenues dans ce manuel.

Veuillez conserver ce manuel d'instructions pour référence future et le transmettre avec l'appareil s'il est remis à un tiers. Si vous avez des questions supplémentaires concernant le fonctionnement ou l'installation de cet appareil, ou si des problèmes surviennent du fait de son utilisation, veuillez contacter un revendeur spécialisé ou notre équipe de service pour plus d'informations.

Nous déclinons toute responsabilité pour tout dommage résultant d'une mauvaise utilisation résultant du non-respect des consignes de sécurité contenues dans ce manuel. Dans de telles circonstances, toutes les réclamations sous garantie deviendront nulles et non avenues. Nous déclinons toute responsabilité pour les dommages consécutifs!

Ce produit est certifié EMV et est conforme à toutes les exigences des directives européennes, américaines et nationales. Tous les tests pertinents ont été effectués et la certification a été reçue. Une déclaration de conformité se trouve à la fin de ce manuel.

Pour plus d'informations, veuillez visiter www.mitchellacoustics.co.uk.

Cordialement,



Paul Mitchell

Founder & CEO

Mitchell Acoustics Ltd



Table des matières

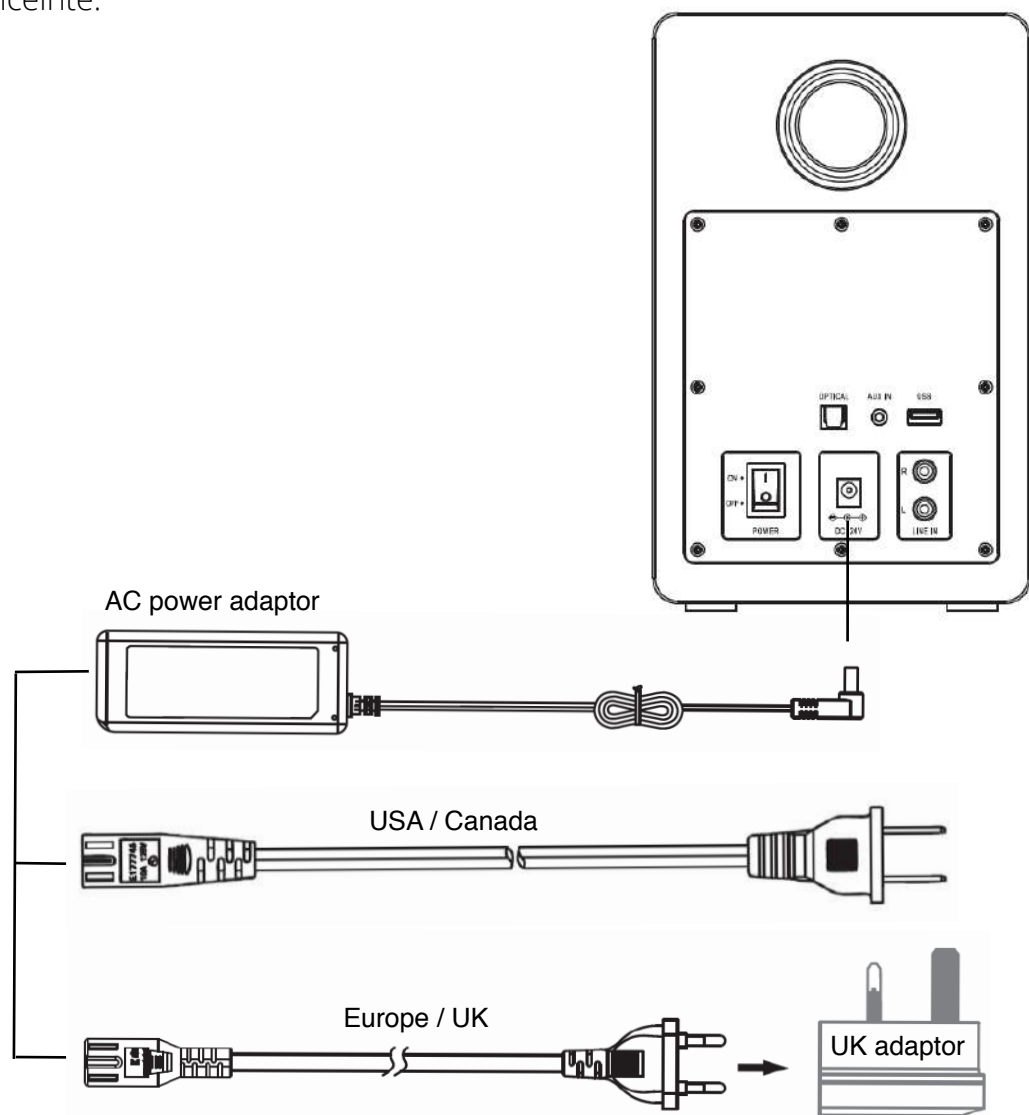
1	Guide de démarrage rapide	56
2	Utilisation	58
3	Information de sécurité	59
4	Dans la Boîte	60
5	Description des composants	61
6	Démarrage : première utilisation	66
	Positionnement initial et mise sous tension	66
	Connexion à un appareil intelligent à utiliser comme source sonore préférée	66
	Réglage du volume avec la télécommande	67
	Connexion d'autres appareils	67
	Connexion de câbles audio ANALOGIQUE RCA	67
	Connexion correcte des câbles optiques TOSLINK	67
7	Disposition	68
8	Dysfonctionnements	69
9	Caractéristiques Techniques	70
10	Déclaration de conformité	72

Avant utilisation

Veillez lire attentivement ce manuel d'instructions avant d'utiliser cet appareil et conservez-le pour référence ultérieure. Suivre et tenir compte de toutes les informations contenues dans ce manuel d'instructions maintiendra ce produit en bon état et garantira son fonctionnement en toute sécurité. Ce manuel d'instructions contient des informations sur l'utilisation et la maintenance de cet appareil. Si un composant nécessite un entretien, un entretien ou une réparation, veuillez consulter un revendeur ou un technicien de service qualifié.

1. Guide de démarrage rapide

1. Trouvez un emplacement approprié pour vos enceintes uStream One. Assurez-vous que la surface est stable avec suffisamment d'espace pour que le câble d'alimentation soit connecté.
2. Trouvez les 2 boîtes blanches contenant les adaptateurs secteur et les câbles.
3. Insérez le câble d'alimentation dans la prise 24 V sur le panneau arrière de chaque enceinte.



4. Branchez une extrémité du câble d'alimentation dans la prise de l'adaptateur secteur et l'autre extrémité dans une prise secteur.

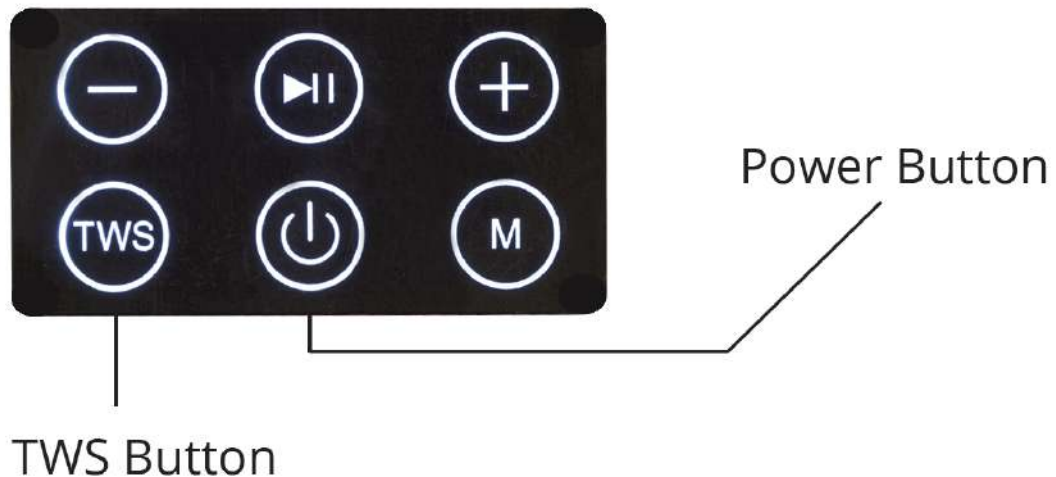
(Veuillez noter que deux câbles d'alimentation sont inclus, un pour l'Europe et un pour l'Amérique du Nord. Veuillez jeter le câble dont vous n'avez pas besoin).

Mettez l'interrupteur d'alimentation à l'arrière de l'appareil sur ON.

5. Positionnez les enceintes, puis allumez chaque enceinte en appuyant sur le bouton d'alimentation pendant 2 secondes.

VEUILLEZ NOTER CHANGER D'ABORD LE HAUT-PARLEUR GAUCHE.

Cela deviendra Haut-parleur 1. Vous entendrez une commande vocale **«Allumer»** pour confirmer, suivie du mode par défaut, **«Bluetooth»**.



6. Une fois que chaque enceinte est allumée, appuyez sur le bouton TWS sur l'enceinte GAUCHE (pas les deux). La commande vocale **«Connexion au haut-parleur 2»** sera entendue, suivie quelques secondes plus tard par la commande vocale **«Haut-parleur 2 connecté»**
7. Sur l'appareil que vous souhaitez connecter aux haut-parleurs, recherchez «uStream One» dans la liste des appareils disponibles auxquels vous connecter et sélectionnez-le. La commande vocale **«Connexion à Bluetooth.. "Bluetooth connecté»** sera entendu

REMARQUE: si vous voyez plusieurs «uStream One» répertoriés dans les appareils BT de votre appareil, cela signifie que les haut-parleurs gauche et droit ne sont pas connectés entre eux. Revenez en arrière et suivez les étapes ci-dessus.

8. Tous les sons jouables sur votre téléphone proviendront désormais de l'uStream One en STEREO

AVANT D'UTILISER LA TÉLÉCOMMANDE, VEUILLEZ VOIR PAGE 59

9. Utilisez la télécommande fournie (pointez-la vers le haut-parleur GAUCHE) pour augmenter le volume au maximum. Lorsque le volume maximum est atteint, vous entendrez un «bip». Vous pouvez maintenant utiliser le contrôle du volume de votre appareil pour régler le volume global.

2. Utilisation

Cet appareil est un haut-parleur actif intégré conçu pour avoir divers composants audio ou appareils Bluetooth connectés à ses entrées.

Veillez respecter toutes les informations et instructions de sécurité contenues dans ce manuel d'instructions.

3. Information de sécurité

Les avertissements de sécurité et de danger suivants ne visent pas seulement la protection de votre appareil, mais servent également de protection contre les risques potentiels pour la santé. Veuillez prendre le temps de lire attentivement les instructions suivantes.

Ces instructions sont pour la protection de l'appareil, mais aussi des personnes qui vont l'utiliser. Nous déclinons toute responsabilité, en cas d'usage impropre et contraire à ces instructions. Dans le cas contraire, la garantie sera refusée.

- Pour des raisons de sécurité et de certification, toute modification et / ou modification non autorisée de l'appareil est interdite et annulera la garantie et toutes les réclamations de garantie.
- Toutes les personnes qui utilisent, installent, installent ou entretiennent cet appareil doivent être formées et qualifiées en conséquence et respecter ces instructions d'utilisation.
- Assurez-vous que l'appareil a été configuré correctement en suivant toutes les instructions contenues dans le manuel d'instructions
- Les câbles d'alimentation doivent être acheminés de manière à ne pas être piétinés, écrasés ou pincés par des objets placés dessus ou contre eux. Portez une attention particulière aux cordons au niveau des fiches, des prises de courant et à l'endroit où ils sortent de l'appareil. Évitez d'exposer le câble à une chaleur ou un froid extrême. Le non-respect des instructions mentionnées ci-dessus peut endommager le câble et présenter un risque d'électrocution.
- Pour couper complètement l'alimentation électrique de l'appareil, débranchez la fiche d'alimentation de la prise murale. Le simple fait d'éteindre l'appareil avec le bouton MARCHE / ARRÊT ne suffit pas. Assurez-vous également que les prises de courant sont facilement accessibles.
- Tirez toujours sur les prises de la fiche et jamais sur le câble pour la retirer d'une prise murale. Débranchez l'appareil de la prise de courant s'il n'est pas utilisé pendant une période prolongée.
- N'utilisez jamais l'appareil si le câble d'alimentation ou l'appareil est endommagé.
- Les enceintes ne doivent jamais entrer en contact avec de l'eau ou de l'humidité et aucun objet rempli de liquide tel que des vases, ne doit être placé sur les enceintes.
- Faites fonctionner les enceintes dans un climat tempéré et ne les exposez jamais à des températures extrêmes, telles qu'une humidité élevée.
- Assurez-vous que les enceintes sont placées sur une surface solide et stable ou montées sur des supports ou des supports de montage appropriés.
- Veuillez noter qu'une pression acoustique excessive créée lors de l'écoute à des niveaux de volume élevés pendant de longues périodes peut entraîner des dommages auditifs permanents.
- Veuillez respecter les informations de sécurité supplémentaires figurant dans les différents chapitres de ce manuel d'instructions.
- Lors du raccordement d'autres appareils, veuillez vous référer aux instructions de sécurité et d'utilisation figurant dans la documentation accompagnant l'appareil.
- Nettoyer uniquement avec un chiffon sec.
- Veuillez nous contacter ou contacter un technicien de service pour plus d'informations, si vous avez des doutes sur le fonctionnement de l'appareil, la sécurité ou lors des connexions, ou si des questions se posent qui ne sont pas expliquées dans ce manuel.
- Contribuer à un meilleur environnement en utilisant un site de recyclage désigné pour l'élimination des matériaux d'emballage.
- Le fonctionnement normal du produit peut être affecté par de fortes interférences électromagnétiques provenant d'autres appareils. Si tel est le cas, réinitialisez simplement le produit pour reprendre son fonctionnement normal en suivant le manuel d'utilisation. Si cela échoue, il peut être nécessaire d'utiliser les enceintes dans un endroit différent.

4. Dans la Boîte

Voici ce que vous trouverez dans la boîte. Les accessoires se trouvent dans 2 boîtes blanches unies.

Veuillez vérifier que toutes ces pièces sont présentes avant de continuer. Veuillez informer votre revendeur si une pièce est manquante ou endommagée.

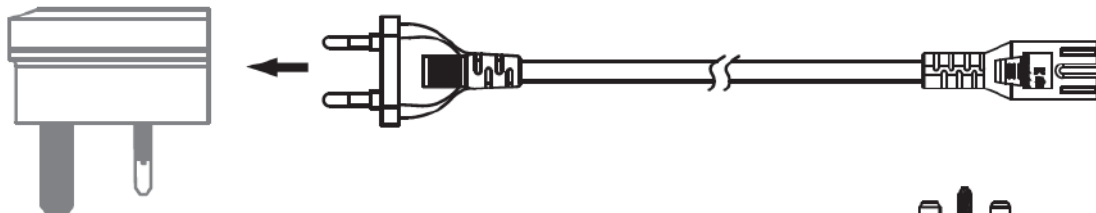
2 x uStream One



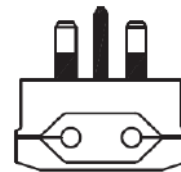
1 x Télécommande



2 x Câbles d'alimentation (2 x Amérique du Nord, 2 x Europe)



2 x UK adaptateur



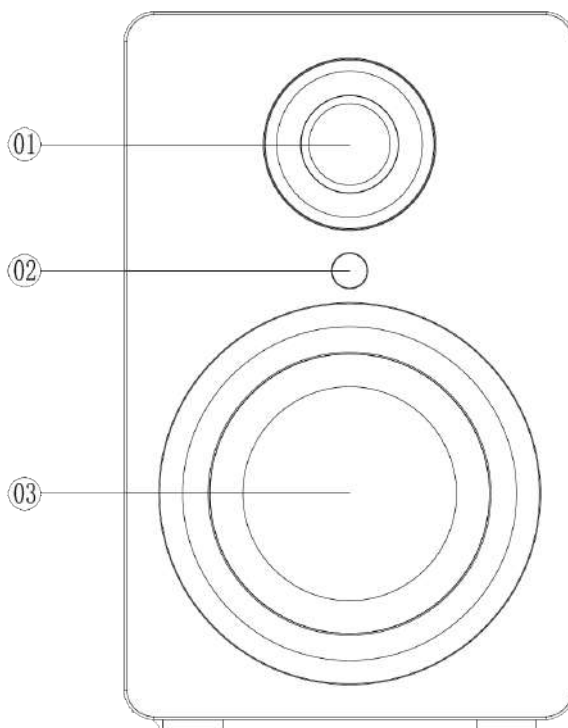
2 x AC Mains Adaptor (100-240v)



5. Description des composants

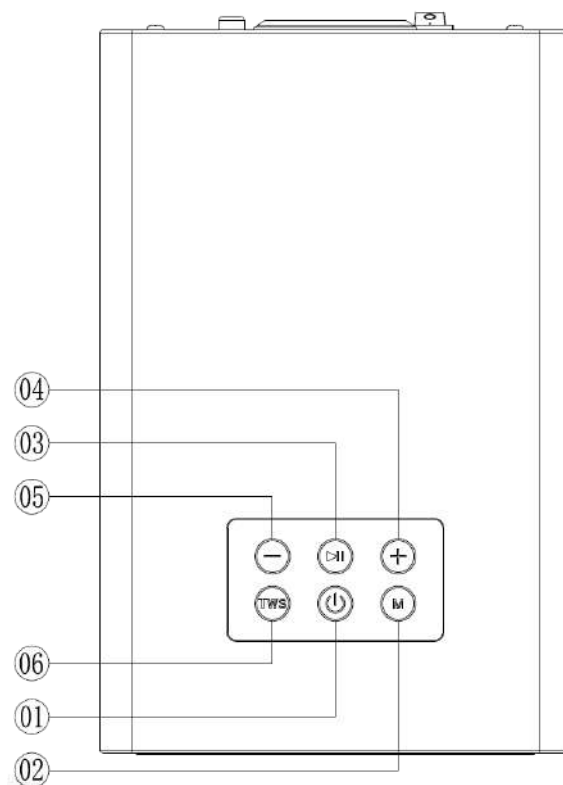
FACE AVANT

1. HP aigus
2. Récepteur de la télécommande
3. HP Basses



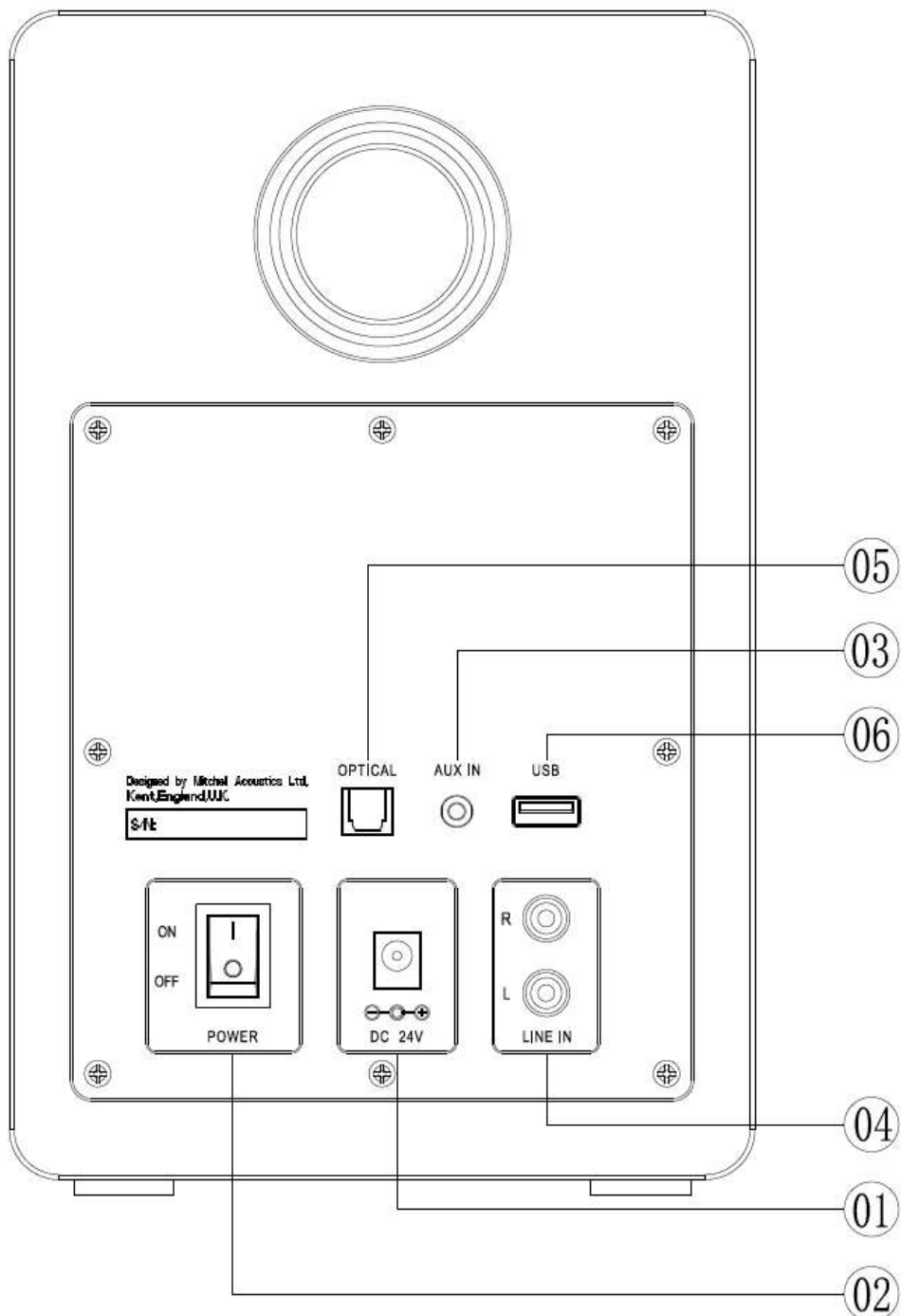
Sur le dessus

1. Bouton d'alimentation : appuyez et maintenez pendant 2 secondes pour allumer, appuyez et maintenez pendant 5 secondes pour éteindre. (* L'appareil s'éteint automatiquement après 15 minutes si aucun signal d'entrée).
2. Bouton Mode : Appuyez et maintenez enfoncé pendant 2 secondes pour la liste d'options, dans une séquence de fonction est : BLUETOOTH / AUX-IN / LINE-IN / OPTICAL. Chaque appui est accompagné d'une commande vocale confirmant le mode.
3. Bouton Lecture / Pause : Appuyez et maintenez pour lire la piste, puis appuyez et maintenez pour mettre la piste en pause. Appuyez et maintenez pendant 5 secondes pour déconnecter la connexion BT.
4. Bouton Volume + / Suivant : Appuyez longuement pour accéder à la piste suivante de la liste de lecture. Appuyez brièvement pour augmenter le volume.
5. Bouton Volume- / Précédent : Appuyez longuement pour accéder à la dernière piste de la liste de lecture. Appuyez brièvement pour baisser le volume.
6. Bouton TWS : appuyez brièvement sur l'un ou l'autre pour connecter les haut-parleurs, l'appareil sera automatiquement en mode TWS. (Les unités essaieront automatiquement de se connecter via TWS lors de la mise sous tension une fois la configuration initiale effectuée, l'utilisation de ce bouton n'est donc nécessaire que si l'appairage échoue en raison du repositionnement des enceintes)



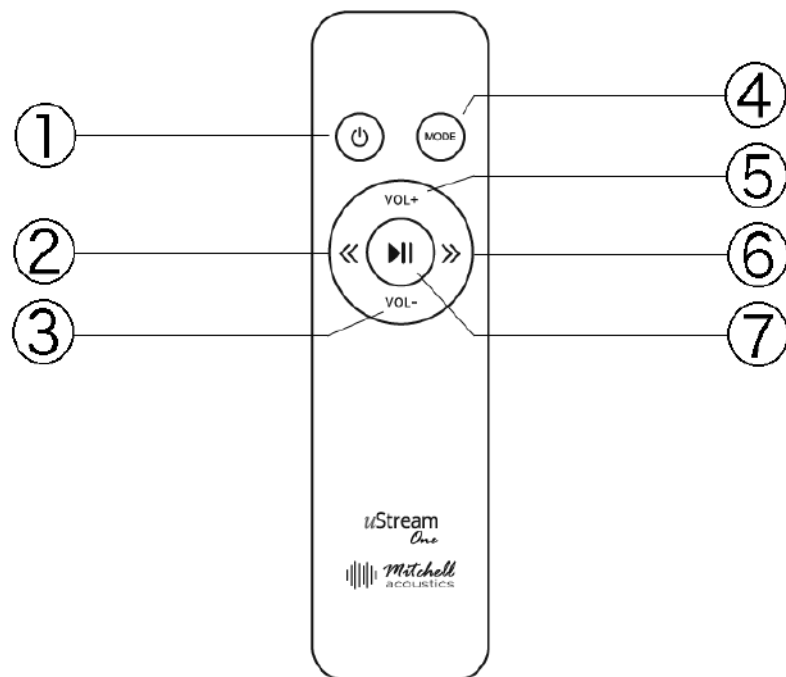
Face Arrière

1. Alimentation du transformateur en 24V -3A. Insérez le connecteur rond à l'extrémité du câble de l'adaptateur secteur.
2. Interrupteur marche / arrêt
3. Prise jack stéréo AUX IN 3,5 mm
4. Entrée ligne stéréo gauche et droite RCA
5. Entrée Optique pour l'entrée optique TOSLINK
6. Entrée USB pour la mise à niveau du micrologiciel USB



Télécommande

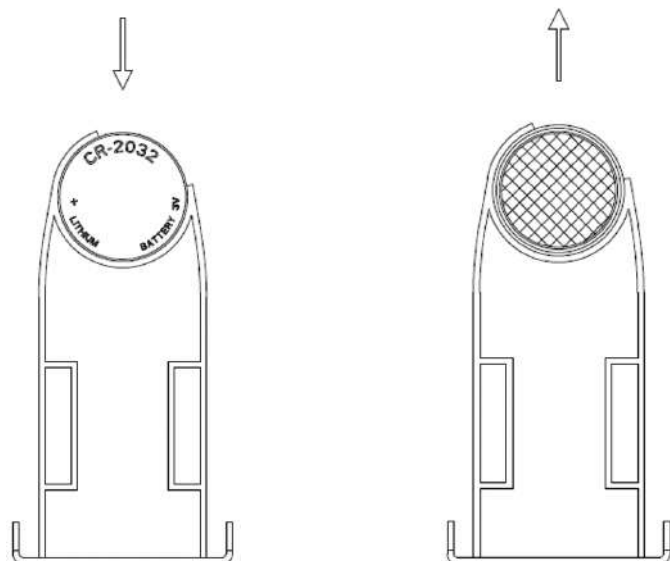
1. Mise sous tension à partir du mode veille
2. Piste précédente
3. Baisser le volume
4. Changeur de mode
5. Augmenter le volume
6. Piste suivante
7. Jouer/Pause. Appuyez et maintenez pendant 5 secondes pour déconnecter la connexion BT.



Batterie de la télécommande

La télécommande est fournie avec une pile CR-2032. Cependant, il a été volontairement monté à l'envers pour préserver la durée de vie de la batterie avant la première utilisation.

Retirez le plateau de la batterie comme indiqué, retirez la batterie et remplacez-la par les numéros orientés vers le bas. Remettez ensuite le plateau de batterie en place comme indiqué.



Informations sur la manipulation des batteries

Veillez respecter les informations suivantes lors de la manipulation des batteries et des batteries rechargeables.


- Gardez les piles hors de portée des enfants.
- Les piles sont dangereuses et ne font pas partie des déchets ménagers.
- Assurez-vous que la polarité est correcte lors de l'insertion des piles.
- Retirez toujours les piles lorsque la télécommande n'est pas utilisée pendant de longues périodes.
- Ne laissez jamais les batteries traîner sans surveillance. S'ils sont avalés, ils peuvent présenter un risque d'étouffement pour les enfants et les animaux domestiques. Cherchez immédiatement des soins médicaux d'urgence, si cela se produit.
- N'exposez jamais les batteries à des températures extrêmes, telles que la lumière du soleil, le feu, les fours, etc. il y a un risque d'explosion !
- Assurez-vous que les batteries ne sont pas démontées, court-circuitées ou jetées au feu. Ne rechargez jamais des piles non rechargeables. Il y a un risque d'explosion !
- Suivez toujours les instructions du fabricant lors de la recharge des batteries rechargeables.
- Toucher des piles qui fuient ou sont endommagées peut provoquer des brûlures cutanées. Utilisez des gants de protection adaptés à la manipulation de ces batteries.
- Assurez-vous toujours que l'appareil a été éteint après utilisation.
- Changez / remplacez toujours toutes les piles en même temps.
- Si nécessaire, nettoyez la batterie et les contacts de l'appareil avant de l'insérer

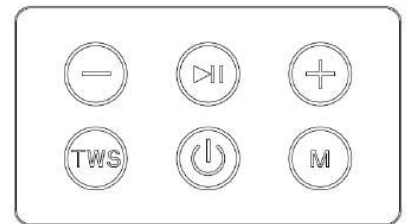
6. Démarrage : première utilisation

Connexion électrique

1. l'autre pour l'Europe. Pour une utilisation au Royaume-Uni, il existe un adaptateur dans lequel le câble européen à deux broches doit être inséré comme indiqué dans le Guide de démarrage rapide.
2. Connectez le câble d'alimentation secteur approprié à l'adaptateur secteur fourni.
3. Connectez le câble d'alimentation CA à l'alimentation secteur
4. Mettez l'appareil sous tension via l'interrupteur marche / arrêt situé à l'arrière de chaque enceinte.

Positionnement initial et mise sous tension

1. Le haut-parleur GAUCHE doit être allumé EN PREMIER et sera toujours le haut-parleur 1.
2. Allumez les haut-parleurs en appuyant  sur le panneau supérieur pendant 2 secondes.
3. La voix de confirmation sera audible. « Mise sous tension » avec confirmation du mode.



Connexion TWS (True Wireless Stereo)

1. Assurez-vous que les haut-parleurs n'ont pas de connexion Bluetooth active avec un appareil. Désactivez Bluetooth sur l'appareil que vous prévoyez de connecter aux enceintes avant de coupler les enceintes entre elles.
2. Appuyez sur le bouton « TWS » du haut-parleur 1 (haut-parleur gauche) pour lancer le mode d'appairage automatique entre les deux unités. Il y a une confirmation vocale « Connecting to Speaker 2 » suivie de « Speaker 2 connected ».

NB : En mode True Wireless Stereo, seul « Haut-parleur 1, gauche » prend en charge les connexions AUX / LINE IN / OPTICAL. Il n'est pas nécessaire de suivre les étapes TWS ci-dessus pour chaque utilisation. Une fois la configuration initiale terminée, les enceintes se connecteront automatiquement les unes aux autres.

Connexion Bluetooth

1. Activez Bluetooth sur l'appareil que vous souhaitez connecter. Dans le menu Bluetooth de votre appareil, recherchez « uStream One » et sélectionnez-le pour vous connecter. Vous entendrez une commande vocale « Connexion à Bluetooth »
2. Vous entendrez une confirmation vocale du haut-parleur pour confirmer la connexion : « Bluetooth connecté »
3. Vous pouvez maintenant profiter de la musique de votre appareil via l'une de vos applications musicales et le son doit être en stéréo à partir des deux haut-parleurs.

Connexion à un appareil intelligent à utiliser comme source sonore préférée

Vous pouvez utiliser les UStream One comme haut-parleur Bluetooth préféré avec n'importe quel appareil domestique intelligent tel qu'un Amazon Alexa™ Echo ou Google™ Home. Cela signifie que vous pouvez utiliser la commande vocale pour sélectionner la musique à lire et écouter en stéréo complète via vos haut-parleurs "uStream One."

Suivez les instructions via votre application pour appareils connectés sur votre appareil mobile ou visitez www.mitchellacoustics.co.uk pour une explication plus détaillée.

Réglage du volume avec la télécommande

Pointez la télécommande vers le haut-parleur 1 (gauche) et appuyez plusieurs fois sur le bouton Volume + de la télécommande. Un bip retentit lorsque le volume maximum est atteint. Vous pouvez désormais utiliser votre appareil pour augmenter ou diminuer le volume.

Connexion d'autres appareils

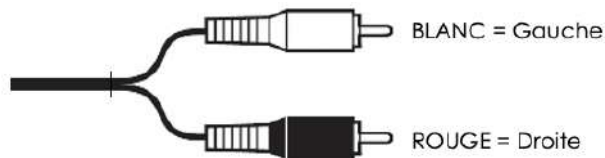
Vous souhaitez peut-être connecter d'autres appareils à l'uStream One, comme un lecteur de musique externe ou une platine vinyle. Il y a 3 connexions auxiliaires externes qui peuvent être utilisées, mais rappelez-vous qu'elles doivent être connectées au « Speaker 1 » afin d'entendre le son stéréo des deux haut-parleurs simultanément.

Les connexions possibles sont :

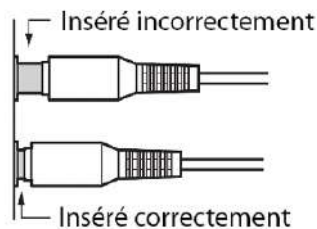
1. RCA gauche et droite
2. Entrée ligne stéréo 3,5 mm
3. TOSLINK optique

Connexion de câbles audio ANALOGIQUE RCA

Faites attention aux couleurs du bouchon et aux canaux gauche et droit lors de la connexion des câbles audio RCA.

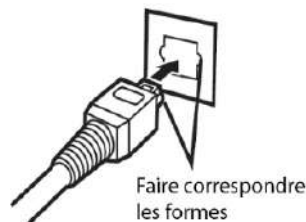


Assurez-vous d'une bonne connexion en vous assurant d'insérer complètement les bouchons. Le défaut d'insertion complète peut causer du bruit ou des dysfonctionnements.



Connexion correcte des câbles optiques TOSLINK

Les haut-parleurs contiennent une entrée optique de haute qualité qui fonctionne avec la plupart des téléviseurs via un câble TOSLINK standard. Assurez-vous que votre téléviseur est configuré pour émettre de l'audio numérique en PCM format. Reportez-vous au manuel d'utilisation de votre téléviseur pour plus de détails. Veillez à faire correspondre les formes correctement sur les câbles optiques.



7. Disposition



Élimination de l'emballage

Triez l'emballage avant de vous en débarrasser. Éliminez le papier et le carton avec le service de papier recyclé et emballages avec le service de collecte approprié.

Mise au rebut des enceintes

Les anciens appareils ne doivent pas être jetés avec les ordures ménagères!

Si les haut-parleurs ne peuvent plus être utilisés à un moment donné, éliminez-les avec la réglementation en vigueur dans votre ville ou comté. Cela garantit que les anciens appareils sont recyclés dans un responsable et exclut également les conséquences négatives pour l'environnement.

Mise au rebut de la batterie

Les piles ne doivent pas être jetées avec les ordures ménagères!

En tant qu'utilisateur final, la loi vous oblige à apporter toutes les batteries, qu'elles contiennent ou non des substances * ou non, à un point de collecte géré par l'autorité communale ou à un détaillant, afin qu'elles puissent être mis au rebut de manière écologique.

* étiqueté avec: Cd = cadmium, Hg = mercure, Pb = plomb

RoHS

8. Dysfonctionnements

PROBLÈME	SOLUTION POSSIBLE
Pas d'alimentation lorsqu'il est allumé à l'arrière	La fiche n'est pas complètement insérée dans la prise murale Le fusible de la fiche est peut-être grillé. Le fusible secteur interne a grillé à l'intérieur de l'adaptateur secteur, il devra être remplacé par un technicien de service qualifié
Pa de Son	L'alimentation n'est pas allumée Réglage du volume trop bas Aucun équipement audio d'entrée n'est connecté ou est défectueux La source d'entrée audio correcte n'est pas sélectionnée sur le panneau supérieur
Pas de son sur un canal	Les câbles d'entrée de la source audio sont mal connectés ou endommagés Fonction TWS non activée
Bourdonnement de l'un ou l'autre haut-parleur	Il est normal avec l'audio Bluetooth qu'il y ait un bruit de fond de faible niveau lors de la lecture d'un son de très faible niveau, comme des lacunes dans la musique classique. Câbles d'entrée audio endommagés ou mal connectés
La télécommande ne fonctionne pas	Ajustez l'angle auquel la télécommande est dirigée vers haut-parleur. Vérifiez si les piles ont été insérées correctement Si les piles sont vides, remplacez-les par des neuves et tirez tout objet trouvé entre la télécommande et le capteur de télécommande Assurez-vous que la distance entre la télécommande et l'appareil ne dépasse pas 5 m
Les boutons ne fonctionnent pas (sur l'appareil et / ou sur la télécommande)	Éteignez puis rallumez l'appareil Vous pouvez également éteindre l'appareil, le débrancher de la prise de courant et le rebrancher
Je rencontre des décrochages sur mes haut-parleur DROIT	Les appareils tels que les fours à micro-ondes, les téléphones sans fil, les appareils Bluetooth, les souris ou les appareils Wi-Fi connectés à 2,4 GHz qui fonctionnent sur la même fréquence peuvent provoquer des interférences et entraîner des interruptions. Essayez de retirer ce type d'appareil du voisinage. Vous pouvez également utiliser les applications d'analyse de réseau disponibles sur le marché pour vérifier l'état du réseau et des interférences.

9. Caractéristiques Techniques

Puissance de sortie (RMS)	50 watts par canal
DHT (distorsion harmonique totale)	< 0.1 % (1 kHz 1 W)
Fréquence de réponse	20 Hz-20 kHz
Impédance	8 ohms
Rapport signal /bruit	>75dB
Entrées analogiques	RCA L+R 3.5mm prise stéréo
Entrées Digital	TOSLINK Opitcal
Bluetooth	Action Technology V5.0 avec liaison stéréo True Wireless entre les haut-parleurs L + R Portée Bluetooth env. 33 pieds / 10 m
Amplificateur	Texas Instruments TPA3116D2 Amplificateur stéréo numérique de classe D avec technologie anti-AM
Logiciels Pilotes des haut-parleurs	Haut-parleur de graves (basse fréquence) Bobine acoustique CLARI-t de 4 po / 106 mm avec aimant néodyme 20 oz / 566 g et diaphragme en alliage de magnésium Haut-parleur d'aigus (haute fréquence) 1,5 " / 38 mm CLARI-t
Alimentation électrique	Continu 24V 3A, adaptateur secteur 100-230V, 50/60 Hz
Dimensions	(L x H x P) : 150 x 235 x 230 mm 5 29/32' x 9 1/4" x 9 1/16"
Poids	3,3kg / 7lbs 40z par enceinte
Origine	Precision conçu et fabriqué en Chine

10. Déclaration de conformité

Mitchell Acoustics en tant que fabricant certifie que le produit désigné suivant
Mitchell Acoustics uStream One Bluetooth Stereo Speakers
sont en pleine conformité avec

ErP Directive 2009/125/EC

Règlement de la Commission: (EC) No. 1275/2008 (EU) No. 801/2013

Norme d'essai EN 50564:2011

RoHS directive 2011/65/EU et la directive d'amendement (EU) 2015/863

EMC

ETSI EN 301 489-1 V2.2.3 (2019-11), (Draft) ETSI EN 301 489-17 V3.2.2 (2019-12),
EN 55032:2015, EN 55035:2017, EN 61000-3-2:2019, EN 61000-3-3:2019

Les produits désignés ont été soumis à des tests d'échantillons pour lesquels

RED (Radio Equipment Directive) 2014/53/EU

EN 62479:2010, EN 62368-1:2014+A11:2017, EN 301 489-1 V2.2.3, (draft) EN 301 489-17
V3.2.2, EN 300 328 V2.2.2

LVD (Low Voltage Directive) 2014/35/EU

Shenzhen NTEK Testing Technology Co., Ltd

1/F, Building E, Fenda Science Park, Sanwei Community, Xixiang Street,
Bao'an District, Shenzhen 518126 P.R.China.

Rapports d'essais émis numérotés:

S20051301901001, S20051301902001, S20051301907001, S20051301908001

Et donc les produits sont conformes à l'essentiel
exigences et les dispositions des directives de l'UE.

RoHs

Mitchell Acoustics a pour politique de nommer des spécialistes tiers indépendants pour conseiller sur la fabrication afin de s'assurer que les partenaires de fabrication se conforment aux tests de contenu des matériaux du produit; obtenir la confirmation des fournisseurs que les matériaux sont conformes aux normes RoHs et que des programmes de correction et de remplacement sont en place, et que les fabricants ont des procédures en place pour identifier, séparer et remplacer les matériaux conformes des non-conformes

La déclaration relève de la seule responsabilité du fabricant / importateur.

Les rapports sont conservés au dossier à: -

Mitchell Acoustics Limited

Turner House, 9-10 Mill Lane, Alton, Hants GU34 2QG UNITED KINGDOM

Date: 15th July 2020

Signed:

Paul Mitchell - Director



Déclaration FCC

Cet équipement a été testé et déclaré conforme aux limites d'un appareil numérique de classe B, conformément à la partie 15 des règles FCC. Ces limites sont conçues pour fournir une protection raisonnable contre les interférences nuisibles dans une installation résidentielle. Cet équipement génère, utilise et peut émettre de l'énergie radiofréquence et, s'il n'est pas installé et utilisé conformément aux instructions, peut provoquer des interférences nuisibles aux communications radio. Cependant, il n'y a aucune garantie que des interférences ne se produiront pas dans une installation particulière. Si cet équipement cause des interférences nuisibles à la réception de la radio ou de la télévision, ce qui peut être déterminé en éteignant et en rallumant l'équipement, l'utilisateur est encouragé à essayer de corriger les interférences par l'une des mesures suivantes:

Réorientez ou déplacez l'antenne de réception.

Augmentez la séparation entre l'équipement et le récepteur.

Connectez l'équipement à une prise sur un circuit différent de celui sur lequel le récepteur est connecté.

Consultez le revendeur ou un technicien radio / TV expérimenté pour obtenir de l'aide.

Cet appareil est conforme à la partie 15 des règles FCC. Son fonctionnement est soumis aux deux conditions suivantes:

1. Cet appareil ne doit pas causer d'interférences nuisibles, et
2. Cet appareil doit accepter toutes les interférences reçues, y compris les interférences susceptibles de provoquer un fonctionnement indésirable.

Déclaration d'exposition aux radiations de la FCC

Cet appareil est conforme aux limites d'exposition aux radiations de la FCC définies pour un environnement non contrôlé et il est également conforme à la partie 15 des règles RF de la FCC. Cet équipement doit être installé et utilisé conformément aux instructions fournies et la ou les antennes utilisées pour cet émetteur doivent être installées de manière à fournir une distance de séparation d'au moins 20 cm de toutes les personnes et ne doivent pas être situées à proximité ou fonctionner conjointement avec toute autre antenne ou émetteur. Les utilisateurs finaux et les installateurs doivent recevoir des instructions d'installation de l'antenne et envisager de supprimer la déclaration de non-colocalisation.

L'appareil satisfait à l'exemption des limites d'évaluation de routine de la section 2.5 de RSS 102 et à la conformité à l'exposition RF RSS-102, les utilisateurs peuvent obtenir des informations canadiennes sur l'exposition aux RF et la conformité.

L'appareil fonctionnant dans la bande 5150-5250 MHz est uniquement destiné à une utilisation en intérieur afin de réduire les interférences nuisibles potentielles aux systèmes mobiles par satellite dans le même canal.

Pour les dispositifs avec antenne (s) amovible (s), le gain d'antenne maximal autorisé pour les dispositifs dans la bande 5725-5850 MHz doit être tel que l'équipement soit toujours conforme à la p.i.r.e. limites spécifiées pour le fonctionnement point à point et non point à point, le cas échéant.

MISE EN GARDE! Tout changement ou modification non expressément approuvé par la partie responsable de la conformité pourrait annuler le droit de l'utilisateur à faire fonctionner l'équipement.

Déclaration IC

Cet appareil est conforme aux RSS sans licence d'Industrie Canada. Son fonctionnement est soumis aux deux conditions suivantes:

1. Cet appareil ne doit pas provoquer d'interférences; et
2. Cet appareil doit accepter toutes les interférences, y compris les interférences susceptibles d'entraîner un fonctionnement indésirable de l'appareil.

Cet émetteur ne doit pas être colocalisé ou fonctionner en conjonction avec une autre antenne ou un autre émetteur. Cet équipement doit être installé et utilisé à une distance minimale de 20 centimètres entre le radiateur et votre corps.

Déclaration d'exposition aux rayonnements IC

Cet équipement est conforme aux limites d'exposition aux rayonnements IC RSS-102 définies pour un environnement non contrôlé. Cet équipement doit être installé et utilisé à une distance minimale de 20 cm entre le radiateur et toute partie de votre corps.

Déclaration UL

L'adaptateur secteur a été testé et déclaré conforme à la norme UL 62368-1

Déclaration CSA

L'adaptateur secteur a été testé et déclaré conforme à la norme CSA C22.2 No: 62368-1

CE FC



Conforms to UL STD 62368-1 & CSA STD C22.2 NO.62368-1

Vielen Dank von Paul Mitchell

Vielen Dank, dass Sie sich für den Kauf dieses Mitchell Acoustics-Produkts entschieden haben. Es bedeutet mir sehr viel, da ich hart gearbeitet habe und viele schlaflose Nächte damit verbracht habe, es zu entwerfen und zu entwickeln, und ich hoffe wirklich, dass es Ihre Erwartungen übertrifft und dass Sie es gerne verwenden.

Diese Bedienungsanleitung gibt Ihnen einen allgemeinen Überblick über die Funktionsweise dieses Geräts sowie Informationen zu Sicherheitsverfahren und Reinigung. Um dieses Produkt in gutem Zustand zu halten und seinen sicheren Betrieb zu gewährleisten, nehmen Sie sich bitte einige Minuten Zeit, um alle Sicherheits- und Betriebsanweisungen in diesem Handbuch zu lesen und sorgfältig zu befolgen.

Bitte bewahren Sie diese Bedienungsanleitung zum späteren Nachschlagen auf und reichen Sie sie zusammen mit dem Gerät weiter, wenn Sie es an Dritte weitergeben. Sollten Sie weitere Fragen zum Betrieb oder zur Installation dieses Geräts haben oder Probleme bei seiner Verwendung auftreten, wenden Sie sich an einen Fachhändler oder unser Serviceteam, um weitere Informationen zu erhalten.

Wir übernehmen keine Haftung für Schäden, die durch unsachgemäße Verwendung aufgrund der Nichtbeachtung der Sicherheitshinweise in diesem Handbuch entstehen. Unter diesen Umständen erlöschen alle Garantieansprüche. Wir übernehmen keine Haftung für Folgeschäden!

Dieses Produkt ist EMV-zertifiziert und erfüllt alle europäischen, US-amerikanischen und anderen nationalen Richtlinienanforderungen. Alle relevanten Tests wurden durchgeführt und die Zertifizierung wurde erhalten. Eine Konformitätserklärung finden Sie am Ende dieses Handbuchs.

Weitere Informationen finden Sie unter www.mitchellacoustics.co.uk.

Dein,



Paul Mitchell
Gründer
Mitchell Acoustics Ltd.



Table of Contents

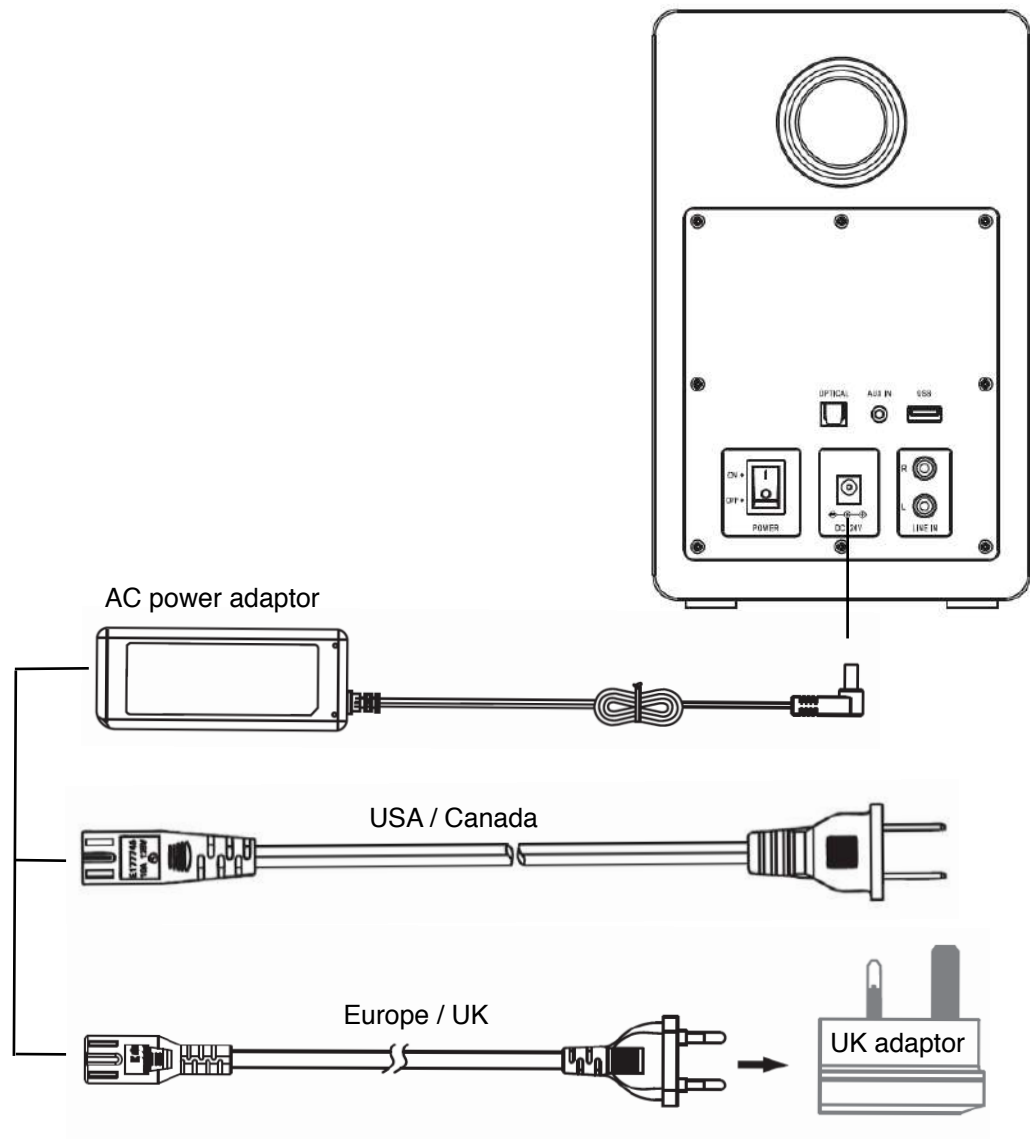
1	Schnellstartanleitung	8
2	Verwendungszweck	10
3	Sicherheitsinformation	11
4	In der Box	12
5	Beschreibung der Teile	13
6	Ersteinrichtung	18
	Netzanschluss	18
	Anschließen an ein Smart-Gerät zur Verwendung als bevorzugte Tonquelle	18
	Anpassung der Lautstärke per Fernbedienung	19
	Anschließen anderer Geräte.	19
	Anschluss von analogen Cinch-Audiokabeln	19
	Richtiger Anschluss der optischen TOSLINK-Kabel	19
7	Entsorgung	20
8	Fehlerbehebung	21
9	Technische Daten	22
10	DECLARATION OF CONFORMITY	24

Vor Gebrauch

Bitte lesen Sie diese Bedienungsanleitung sorgfältig durch, bevor Sie dieses Gerät in Betrieb nehmen, und bewahren Sie sie zur weiteren Bezugnahme auf. Das Befolgen und Befolgen aller Informationen in dieser Bedienungsanleitung hält das Produkt in gutem Zustand und gewährleistet seinen sicheren Betrieb. Diese Bedienungsanleitung enthält Informationen zur Bedienung und Wartung dieses Geräts. Sollte eine Komponente gewartet, gewartet oder repariert werden müssen, wenden Sie sich bitte an einen qualifizierten Händler oder Servicetechniker.

1. Schnellstartanleitung

1. Suchen Sie einen geeigneten Ort für Ihre uStream One-Lautsprecher. Stellen Sie sicher, dass die Oberfläche stabil ist und genügend Platz für den Anschluss des Netzkabels vorhanden ist.
2. Suchen Sie die 2 weißen Kästchen mit den Netzteilen und Kabeln.
3. Stecken Sie das Netzkabel vom Netzteil in die 24-V-Buchse auf der Rückseite jedes Lautsprechers.



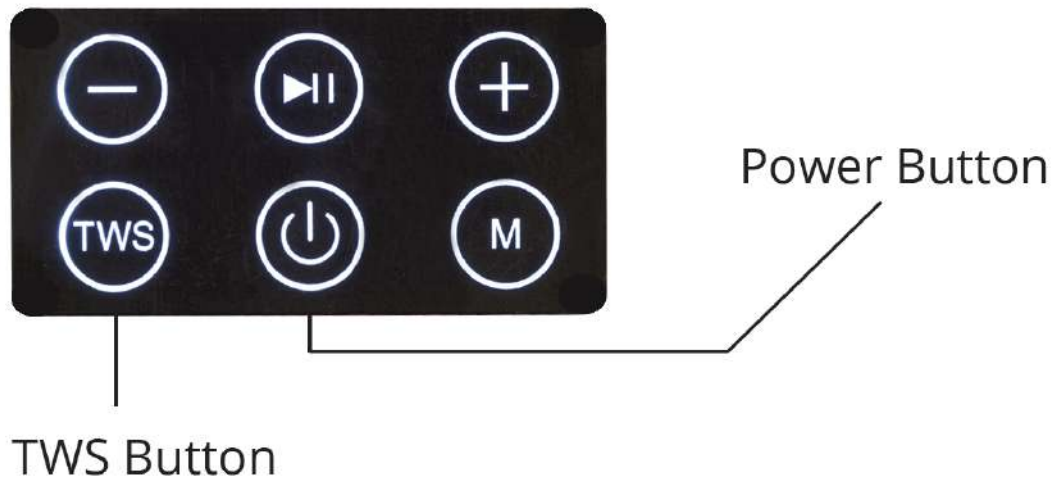
4. Suchen Sie die für Ihren Standort relevanten Stromkabel. Entsorgen Sie die anderen Stromkabel. Stecken Sie ein Ende des Netzkabels in die 2-polige Buchse des Netzteils und das andere Ende in eine Netzsteckdose.

Schalten Sie den Netzschalter an der Rückseite des Lautsprechers auf ON.

5. Positionieren Sie die Lautsprecher.

BITTE BEACHTEN SIE, DASS SIE DEN LINKEN LAUTSPRECHER ZUERST EINSCHALTEN. Dies wird zu Sprecher 1.

Schalten Sie jeden Lautsprecher ein, indem Sie den Netzschalter 2 Sekunden lang drücken. Sie hören eine Sprachantwort "Power On" zur Bestätigung, gefolgt vom Standardmodus "Bluetooth".



- Drücken Sie nach dem Einschalten jedes Lautsprechers die TWS-Taste am LINKEN Lautsprecher (nicht beide). Die Sprachantwort "Verbindung zu Lautsprecher 2 herstellen" ist zu hören, einige Sekunden später folgt der Sprachbefehl "Lautsprecher 2 verbunden".
- Suchen Sie auf dem Bluetooth-Gerät, das Sie mit den Lautsprechern verbinden möchten, in der Liste der verfügbaren Geräte, zu denen eine Verbindung hergestellt werden soll, nach "uStream One" und wählen Sie es aus. Der Sprachbefehl "Verbindung zu Bluetooth herstellen ... Bluetooth verbunden" ist zu hören.

HINWEIS: Wenn in den BT-Geräten Ihres Geräts mehr als ein "uStream One" aufgeführt ist, bedeutet dies, dass der linke und der rechte Lautsprecher nicht miteinander verbunden sind. Gehen Sie zurück und folgen Sie den Schritten in 4. oben.

- Alle auf Ihrem Telefon abspielbaren Sounds werden jetzt über die uStream One-Lautsprecher in STEREO wiedergegeben.

BEVOR SIE DIE FERNBEDIENUNG VERWENDEN, SIEHE BITTE SEITE 81

- Verwenden Sie die mitgelieferte Fernbedienung (richten Sie sie auf den linken Lautsprecher), um die Lautstärke auf Maximum zu erhöhen. Dazu müssen Sie wiederholt die Taste "Vol +" auf der Fernbedienung drücken. Wenn die maximale Lautstärke erreicht ist, hören Sie eine Reihe von lauten Signaltönen.

Jetzt können Sie den Lautstärkeregler Ihres Geräts verwenden, um die Gesamtlautstärke anzupassen.

2. Verwendungszweck

Dieses Gerät ist ein integrierter Aktivlautsprecher, an den verschiedene Audiokomponenten oder Bluetooth-Geräte angeschlossen sind.

Bitte beachten Sie alle Sicherheitsinformationen und Anweisungen in dieser Bedienungsanleitung.

3. Sicherheitsinformation

Die folgenden Sicherheits- und Gefahrenhinweise dienen nicht nur dem Schutz Ihres Geräts, sondern auch dem Schutz vor potenziellen Gesundheitsgefahren. Bitte nehmen Sie sich Zeit, um die folgenden Anweisungen sorgfältig zu lesen.

Wir übernehmen keine Haftung für Personen - oder Sachschäden, die durch Nichtbeachtung der Sicherheitshinweise oder durch unsachgemäße Bedienung oder Handhabung entstehen. Unter diesen Umständen erlöschen alle Garantieansprüche

- Aus Sicherheits- und Zertifizierungsgründen ist jede nicht autorisierte Änderung und / oder Änderung des Geräts verboten und führt zum Erlöschen der Garantie und aller Garantieansprüche.
- Personen, die dieses Gerät bedienen, installieren, einrichten oder warten, müssen entsprechend geschult und qualifiziert sein und diese Bedienungsanleitung beachten.
- Stellen Sie sicher, dass das Gerät korrekt eingerichtet wurde, indem Sie alle Anweisungen in der Bedienungsanleitung befolgen
- Stromversorgungskabel sollten so verlegt werden, dass sie nicht von Gegenständen betreten, gequetscht oder eingeklemmt werden, die auf oder gegen sie gelegt werden. Achten Sie besonders auf Kabel an Steckern, Steckdosen und an der Stelle, an der sie aus dem Gerät austreten. Setzen Sie das Kabel keiner extremen Hitze oder Kälte aus. Das Ignorieren der oben genannten Anweisungen kann zu Kabelschäden führen und die Gefahr eines Stromschlags darstellen.
- Um die Stromversorgung des Geräts vollständig zu unterbrechen, ziehen Sie den Netzstecker aus der Steckdose. Es reicht nicht aus, das Gerät nur mit der EIN / AUS-Taste auszuschalten. Stellen Sie außerdem sicher, dass die Steckdosen leicht zugänglich sind.
- Ziehen Sie immer an den Griffen des Steckers und niemals am Kabel, um es aus einer Steckdose zu entfernen. Ziehen Sie den Netzstecker aus der Steckdose, wenn Sie das Gerät längere Zeit nicht benutzen.
- Verwenden Sie das Gerät niemals, wenn das Netzkabel oder das Gerät beschädigt ist.
- Die Lautsprecher dürfen niemals mit Wasser oder Feuchtigkeit in Berührung kommen und es dürfen keine mit Flüssigkeiten gefüllten Gegenstände wie Vasen auf die Lautsprecher gestellt werden.
- Betreiben Sie die Lautsprecher in einem gemäßigten Klima und setzen Sie sie niemals extremen Temperaturen wie hoher Luftfeuchtigkeit aus.
- Stellen Sie sicher, dass die Lautsprecher auf einer festen und stabilen Oberfläche stehen oder auf geeigneten Ständern oder Montagehalterungen montiert sind.
- Bitte beachten Sie, dass ein übermäßiger Schalldruck, der beim längeren Hören lauter Töne entsteht, zu dauerhaften Hörschäden führen kann.
- Bitte beachten Sie die zusätzlichen Sicherheitsinformationen in den einzelnen Kapiteln dieser Bedienungsanleitung.
- Beachten Sie beim Anschließen anderer Geräte die Sicherheits - und Bedienungsanleitung in der dem Gerät beiliegenden Literatur.
- Nur mit einem trockenen Tuch reinigen.
- Bitte kontaktieren Sie uns oder einen Servicetechniker, um weitere Informationen zu erhalten, falls Sie Zweifel an der Bedienung des Geräts, der Sicherheit oder beim Herstellen von Verbindungen haben oder wenn Fragen auftreten, die in diesem Handbuch nicht erläutert werden.
- Tragen Sie zu einer besseren Umwelt bei, indem Sie eine ausgewiesene Recyclingstelle für die Entsorgung von Verpackungsmaterial nutzen. Electromagnetic Interference
- Die normale Funktion des Produkts kann durch starke elektromagnetische Störungen durch andere Geräte beeinträchtigt werden. Wenn ja, setzen Sie das Produkt einfach zurück, um den normalen Betrieb wieder aufzunehmen, indem Sie die Bedienungsanleitung befolgen. Wenn dies fehlschlägt, müssen die Lautsprecher möglicherweise an einem anderen Ort verwendet werden.

4. In der Box

Das folgende Zubehör wird mit dem Produkt geliefert. Bitte überprüfen Sie, ob alle diese Teile vorhanden sind, bevor Sie fortfahren. Bitte informieren Sie Ihren Händler, wenn ein Teil fehlt oder beschädigt ist.

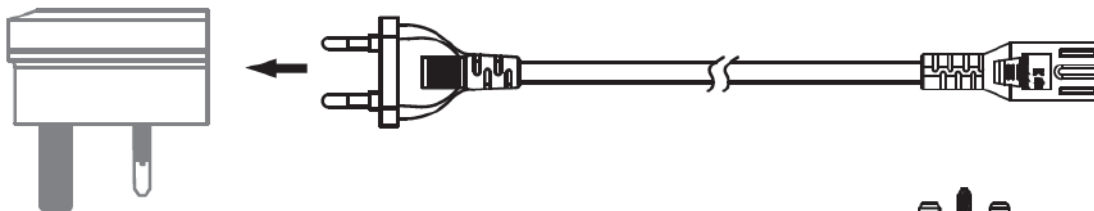
2 x uStream One-Lautsprecher



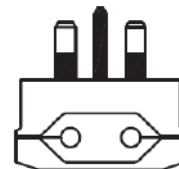
1 x Fernbedienungshandgerät



2 x Netzkabel (2 x Nordamerika, 2 x Europa)



2 x UK-Netzadapter (befindet sich am Boden der Verpackung)



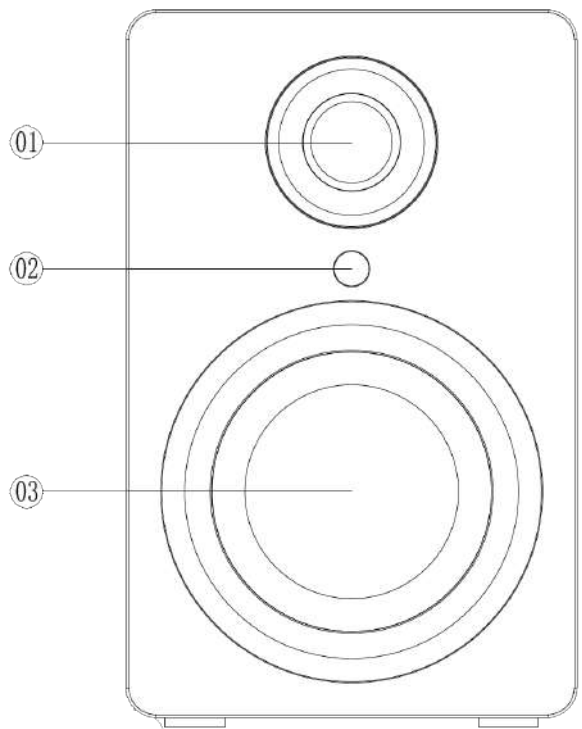
2 x Netzadapter (100-240 V)



5. Beschreibung der Teile

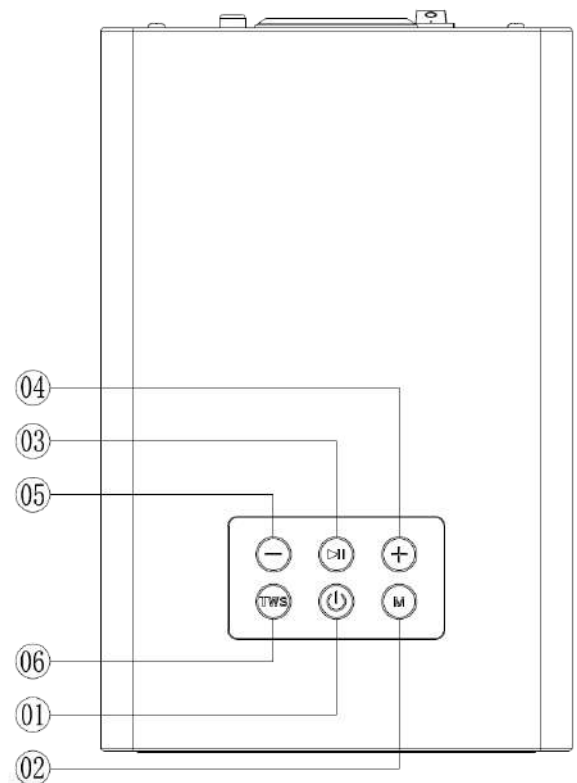
Vorderseite

1. Höhenlautsprecher
2. Fernbedienungsempfänger
3. Basslautsprecher



Oberes Bedienfeld

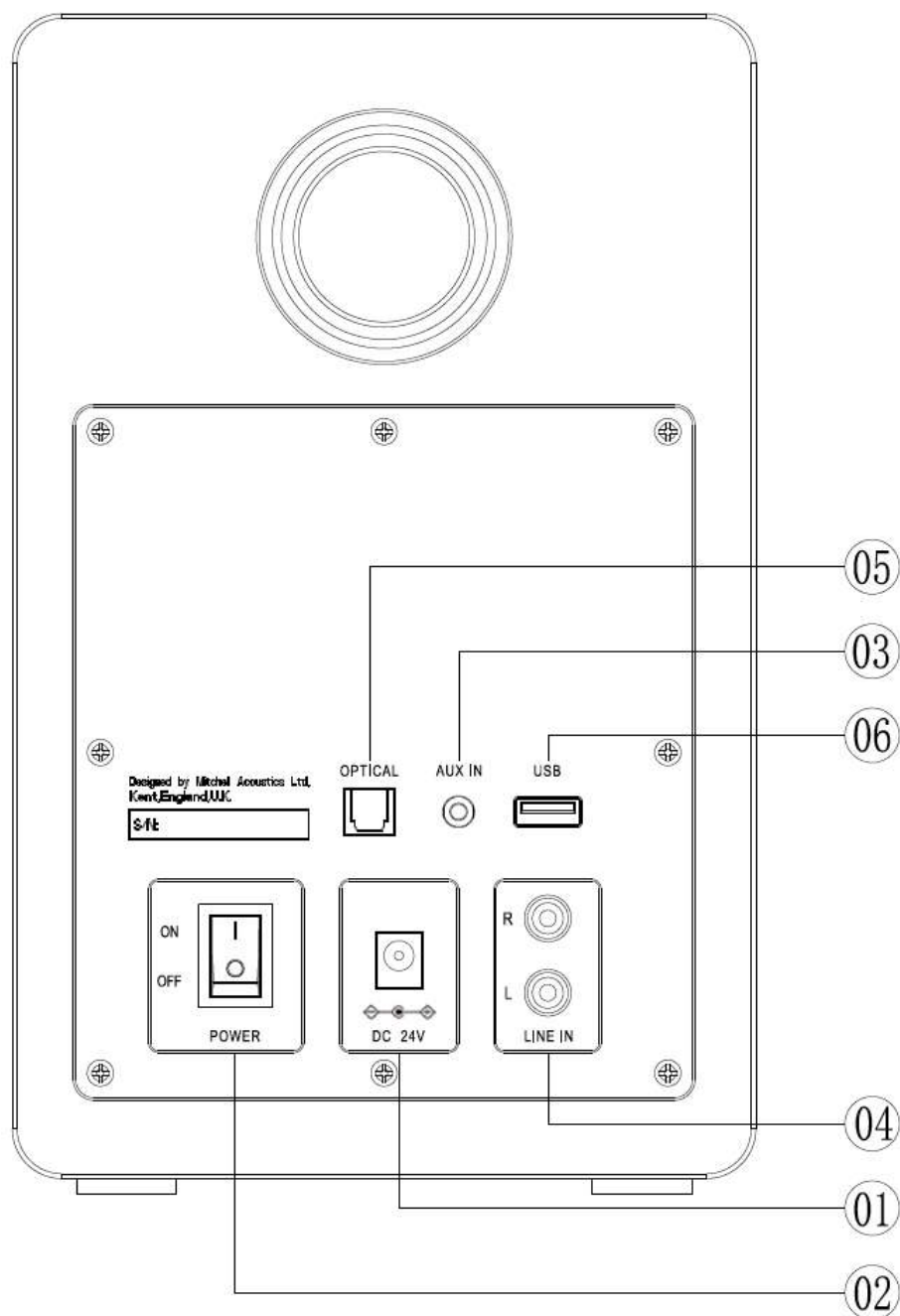
1. **Ein- / Ausschalter:** Zum Einschalten 2 Sekunden lang gedrückt halten, zum Ausschalten 5 Sekunden lang gedrückt halten. (* Das Gerät schaltet sich nach 15 Minuten automatisch aus, wenn kein Signal eingegeben wird.)
2. **Modustaste:** Halten Sie für die Optionsliste 2 Sekunden lang gedrückt. In einer Funktionsfolge ist BLUETOOTH / AUX-IN / LINE-IN / OPTICAL. Jedes Drücken wird von einem Sprachbefehl begleitet, der den Modus bestätigt.
3. **Play / Pause-Taste:** Halten Sie gedrückt, um den Titel abzuspielen, und halten Sie dann gedrückt, um den Titel anzuhalten. Halten Sie die Taste 5 Sekunden lang gedrückt, um die BT-Verbindung zu trennen.
4. **Lautstärke + / Nächste Taste:** Drücken Sie lange, um auf den nächsten Titel in der Wiedergabeliste zuzugreifen. Kurz drücken, um die Lautstärke zu erhöhen.
5. **Lautstärke - / Zurück-Taste:** Drücken Sie lange, um auf den letzten Titel in der Wiedergabeliste zuzugreifen. Drücken Sie kurz, um die Lautstärke zu verringern.
6. **TWS-Taste:** Drücken Sie kurz eine der beiden Tasten, um die Lautsprecher anzuschließen. Das Gerät befindet sich automatisch im TWS-Modus. (Die Geräte versuchen automatisch, eine Verbindung über TWS



DEUTSCHE

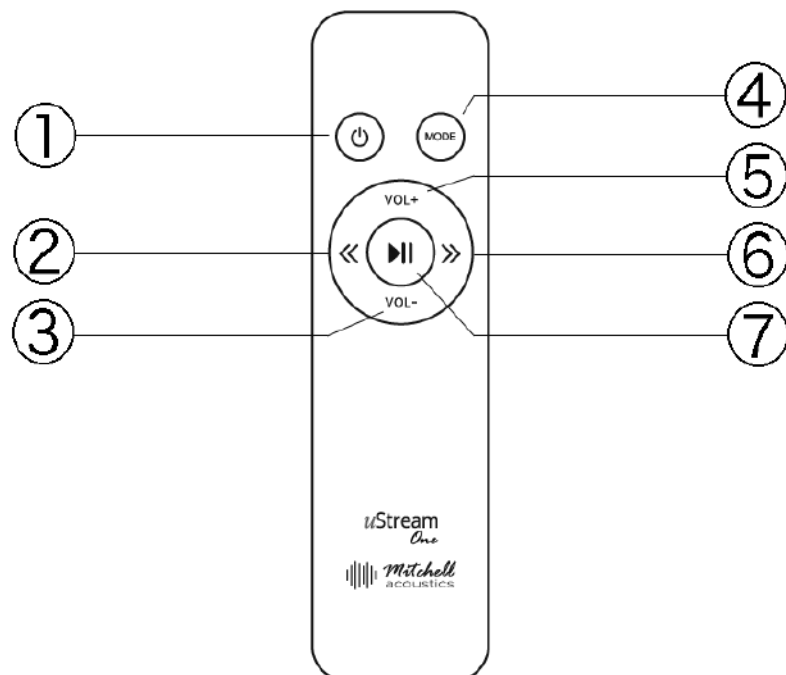
Rückwand

1. Gleichstrom in 24 V 3A. Stecken Sie den runden Stecker am Ende des Netzadapters ein.
2. Ein- / Ausschalter
3. AUX IN 3,5 mm Stereo-Buchse
4. Cinch-Stereo-Line-Eingang links und rechts
5. OPTICAL IN für optischen TOSLINK-Eingang
6. USB-Eingang für USB-Firmware-Upgrade



Fernbedienungs-Mobilteil

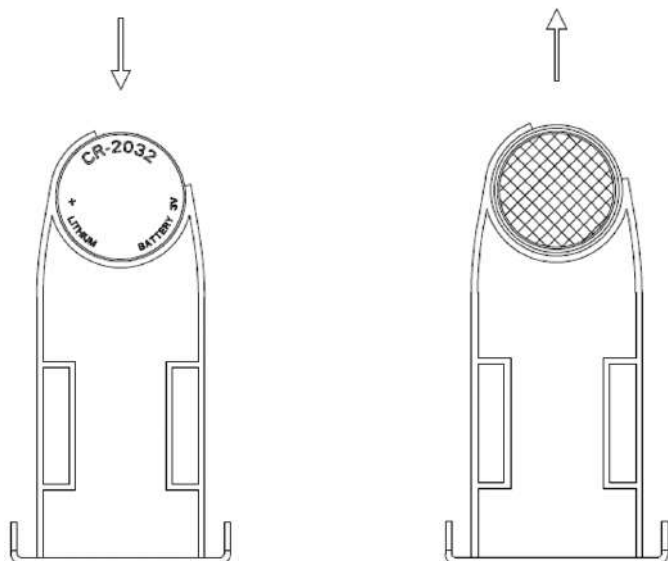
1. **Einschalten** aus dem Standby-Modus
2. **Vorherige Titel**
3. **Lautstärke verringern**
4. **Moduswechsler**
5. **Lautstärke erhöhen**
6. **Nächster Titel**
7. **Spielpause.** Sie die Taste 5 Sekunden lang gedrückt, um die BT-Verbindung zu trennen.



Batterie des Fernbedienungs-Mobilteils

Das Mobilteil der Fernbedienung wird mit einem CR-2032-Akku geliefert. Es wurde jedoch absichtlich in umgekehrter Reihenfolge eingebaut, um die Batteriebensdauer vor dem ersten Gebrauch zu erhalten.

Entfernen Sie das Batteriefach wie angegeben, entfernen Sie die Batterie und ersetzen Sie sie durch Zahlen mit der Vorderseite nach unten. Setzen Sie dann das Batteriefach wie angegeben wieder ein.



Informationen zum Umgang mit Batterien

Bitte beachten Sie beim Umgang mit Batterien und wiederaufladbaren Batterien die folgenden Informationen.


- Bewahren Sie Batterien außerhalb der Reichweite von Kindern auf.
- Lassen Sie Batterien niemals unbeaufsichtigt herumliegen. Beim Verschlucken können diese eine Erstickungsgefahr für Kinder und Haustiere darstellen. Suchen Sie sofort einen Notarzt auf, falls dies passieren sollte.
- Batterien sind gefährlich und gehören nicht in den.
- Achten Sie beim Einlegen der Batterien auf die richtige Polarität.
- Setzen Sie Batterien niemals extremen Temperaturen wie Sonnenlicht, Feuer, Öfen usw. aus. Es besteht Explosionsgefahr!
- Stellen Sie sicher, dass die Batterien nicht zerlegt, kurzgeschlossen oder ins Feuer geworfen werden.
- Das Berühren von undichten oder beschädigten Batterien kann zu Hautverbrennungen führen. Verwenden Sie Schutzhandschuhe, die für den Umgang mit solchen Batterien geeignet sind.

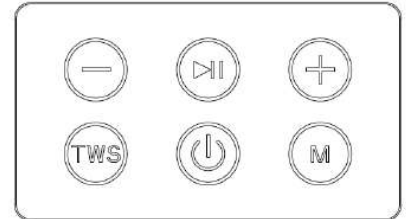
6. Ersteinrichtung

Netzanschluss

1. In jeder Netzteilbox befinden sich 2 Stromkabel. Eine ist für Nordamerika und eine für Europa. Für die Verwendung in Großbritannien gibt es einen Adapter, in den das zweipolige europäische Kabel wie in der Kurzanleitung gezeigt eingesteckt werden sollte. Schließen Sie das entsprechende Netzkabel an das mitgelieferte Netzteil an.
2. Schließen Sie das Netzadapterkabel an der Rückseite jedes Geräts an.
3. Schließen Sie das Netzkabel an das Stromnetz an.
4. Schalten Sie die Stromversorgung über den Ein / Aus-Schalter an der Rückseite jedes Lautsprechers ein.

Erstpositionierung und Einschalten

1. Der LINKE Lautsprecher sollte ZUERST eingeschaltet sein und ist immer Lautsprecher 1.
2. Schalten Sie die Lautsprecher durch  Drücken ein auf der Oberseite für 2 Sekunden.
3. Die Bestätigungsstimme ist hörbar. "Einschalten" mit Bestätigung des Modus.



TWS-Verbindung (True Wireless Stereo)

1. Stellen Sie sicher, dass die Lautsprecher keine aktive Bluetooth-Verbindung mit einem Gerät haben. Schalten Sie Bluetooth auf dem Gerät aus, das Sie mit den Lautsprechern verbinden möchten, bevor Sie die Lautsprecher miteinander koppeln.
2. Drücken Sie die Taste „TWS“ an Lautsprecher 1 (linker Lautsprecher), um den automatischen Pairing-Modus zwischen den beiden Einheiten zu starten. Es folgt eine Sprachbestätigung **'An Lautsprecher 2 anschließen'** gefolgt von **'Lautsprecher 2 angeschlossen'**.

NB: Im True Wireless Stereo-Modus unterstützt nur "Lautsprecher 1, LINKS" AUX / LINE IN / OPTICAL-Verbindungen.

Es ist nicht erforderlich, die obigen TWS-Schritte für jede Verwendung auszuführen. Nach Abschluss der Ersteinrichtung werden die Lautsprecher automatisch miteinander verbunden.

Bluetooth-Verbindung

1. Aktivieren Sie Bluetooth auf dem Gerät, das Sie verbinden möchten. Suchen Sie im Bluetooth-Menü Ihres Geräts nach "uStream One" und wählen Sie es aus, um eine Verbindung herzustellen. Sie hören einen Sprachbefehl "Verbindung zu Bluetooth herstellen".
2. Sie hören eine Sprachbestätigung vom Lautsprecher, um die Verbindung zu bestätigen. "Bluetooth verbunden"
3. Sie können jetzt Musik von Ihrem Gerät über eine Ihrer Musik-Apps genießen, und der Ton sollte über beide Lautsprecher in Stereo erfolgen.

Anschließen an ein Smart-Gerät zur Verwendung als bevorzugte Tonquelle

1. Sie können die uStream Ones als bevorzugten Bluetooth-Lautsprecher für jedes Smart-Home-Gerät wie Amazon™ Echo oder Google™ Home verwenden.
2. Dies bedeutet, dass Sie mithilfe der Sprachsteuerung auswählen können, welche Musik über Ihre uStream One-Lautsprecher in Stereo wiedergegeben werden soll.
3. Befolgen Sie die Anweisungen über Ihre Smart Devices App auf Ihrem Mobilgerät oder besuchen Sie www.mitchellacoustics.co.uk für eine ausführlichere Erklärung.

Anpassung der Lautstärke per Fernbedienung

Richten Sie die Fernbedienung auf Lautsprecher 1 (links) und drücken Sie wiederholt die Taste Lautstärke + am Mobilteil der Fernbedienung. (Nicht einfach drücken und halten)

Bei Erreichen der maximalen Lautstärke ertönt ein Signalton.

Sie können jetzt mit Ihrem Gerät die Lautstärke erhöhen und verringern.

Anschließen anderer Geräte.

Möglicherweise möchten Sie andere Geräte an den uStream One anschließen, z. B. einen externen Musikplayer oder einen Plattenspieler. Es gibt 3 externe Hilfsanschlüsse, die verwendet werden können. Denken Sie jedoch daran, dass diese an „Lautsprecher 1“ angeschlossen sein müssen, um Stereoton von beiden Lautsprechern gleichzeitig zu hören.

Die möglichen Verbindungen sind:

1. RCA links und rechts
2. 3,5 mm Stereo-Line in Buchse
3. Optischer TOSLINK

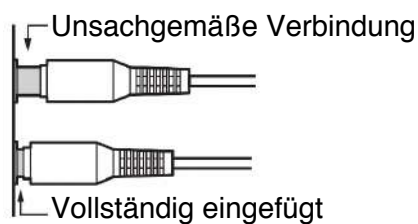
Anschluss von analogen Cinch-Audiokabeln

Achten Sie beim Anschließen von Cinch-Audiokabeln auf die Steckerfarben sowie den linken und rechten Kanal.



Um unerwünschte Störungen zu vermeiden, halten Sie Audiokabel so weit wie möglich von Stromkabeln entfernt.

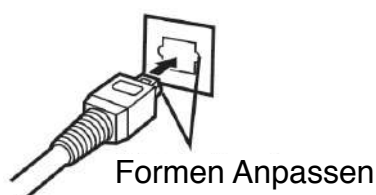
Stellen Sie eine gute Verbindung sicher, indem Sie sicherstellen, dass die Stecker vollständig eingesteckt sind. Wenn das Gerät nicht vollständig eingesetzt wird, kann es zu Geräuschen oder Fehlfunktionen kommen.



Um unerwünschte Störungen zu vermeiden, halten Sie Audiokabel so weit wie möglich von Stromkabeln entfernt.

Richtiger Anschluss der optischen TOSLINK-Kabel

Achten Sie darauf, dass die Formen auf den optischen Kabeln korrekt übereinstimmen.



7. Entsorgung



Entsorgung der Verpackung

Sortieren Sie die Verpackung, bevor Sie sie entsorgen. Entsorgen Sie Papier und Pappe mit dem Recyclingpapierservice und Verpackungen mit dem entsprechenden Abholservice.

Entsorgung der Lautsprecher

Altgeräte dürfen nicht im Hausmüll entsorgt werden!

Sollten die Lautsprecher zu einem bestimmten Zeitpunkt nicht mehr verwendet werden können, entsorgen Sie sie entsprechend mit den in Ihrer Stadt oder Ihrem Landkreis geltenden Vorschriften. Dies stellt sicher, dass Altgeräte in einem recycelt werden verantwortungsbewusstes Verhalten und schließt auch negative Folgen für die Umwelt aus.

Batterie entsorgen

Batterien dürfen nicht mit dem Hausmüll entsorgt werden!

Als Endbenutzer sind Sie gesetzlich verpflichtet, alle Batterien mitzubringen, unabhängig davon, ob sie schädlich sind Stoffe * oder nicht, an eine Sammelstelle der Gemeinde oder an einen Einzelhändler, damit sie sein können umweltfreundlich entsorgt werden.

* markiert mit: Cd = Cadmium, Hg = Quecksilber, Pb = Blei

RoHS

8. Fehlerbehebung

PROBLEM	MÖGLICHE LÖSUNG
Kein Strom beim Einschalten	Steckdose nicht eingeschaltet oder defekt Stecker nicht vollständig in Steckdose eingesteckt Die Sicherung im Stecker ist möglicherweise durchgebrannt. Die interne Netzsicherung ist im Netzteil durchgebrannt. Dies muss durch einen qualifizierten Servicetechniker ersetzt werden
Keinen Ton	Strom nicht eingeschaltet Lautstärkeeinstellung zu niedrig Es ist kein Audioeingang angeschlossen oder fehlerhaft Richtige Audioeingangsquelle nicht auf der Oberseite ausgewählt
Kein Ton in einem Kanal	Audioquellen-Eingangskabel falsch angeschlossen oder beschädigt TWS-Funktion nicht aktiviert
Summen aus beiden Lautsprechern	Bei Bluetooth-Audio ist es normal, dass bei der Wiedergabe von Audio mit sehr niedrigem Pegel Hintergrundgeräusche mit niedrigem Pegel auftreten, z. B. Lücken in der klassischen Musik. Audio-Verbindungskabel sind entweder beschädigt oder nicht richtig angeschlossen
Fernbedienung funktioniert nicht	Stellen Sie den Winkel ein, in dem die Fernbedienung auf den Lautsprecher gerichtet ist. Überprüfen Sie, ob der Akku richtig eingelegt wurde. Batterie könnte leer sein, ersetzen, um zu sehen. Entfernen Sie alle Gegenstände zwischen der Fernbedienung und dem Fernbedienungssensor. Stellen Sie sicher, dass der Abstand zwischen der Fernbedienung und dem Gerät 5 m nicht überschreitet
Tasten funktionieren nicht (am Gerät und / oder an der Fernbedienung)	Schalten Sie das Gerät aus und wieder ein. Schalten Sie das Gerät alternativ aus, ziehen Sie den Netzstecker aus der Steckdose und schließen Sie es wieder an.
Ich habe Aussetzer an meinem RECHTEN Lautsprecher	Geräte wie Mikrowellen, schnurlose Telefone, Bluetooth-, Maus- oder Wi-Fi-Geräte, die mit 2,4 GHz verbunden sind und auf derselben Frequenz betrieben werden, können Störungen verursachen und zu Aussetzern führen. Versuchen Sie, diesen Gerätetyp aus der Nähe zu entfernen. Sie können auch auf dem Markt verfügbare Netzwerkanalysator-Apps verwenden, um den Netzwerk- und Interferenzstatus zu überprüfen.

9. Technische Daten

Nennleistung	50 Watt pro Kanal
THD (Total Harmonic Distortion)	< 0.1 % (1 kHz 1 W)
Frequenzgang	20 Hz-20 kHz
Signal-Rausch-Verhältnis	>75dB
Digitale Eingänge	OPTISCH x 1
Analoge Eingänge	RCA L + R, 3,5 mm Stereobuchse
Kabellose Verbindung	Bluetooth V5.0 dual modas
Bluetooth-Reichweite	10 metre (33ft)
Lautsprechertreiber	Woofer (Bass) Treiber 4 "CLARIt Hochtöner (dreifach) 1,5-Zoll-Treiber CLARIt
Netzteil	DC 24V 3A, Netzteil 100-230V, 50/60 Hz
Maße	(W x H x D) : 150 x 235 x 230 mm 5 29/32' x 9 1/4" x 9 1/16"
Gewicht	3.3 kg pro Lautsprecher

10. KONFORMITÄTSERKLÄRUNG

Mitchell Acoustics als Hersteller bescheinigt, dass das folgende Produkt gekennzeichnet ist
Mitchell Acoustics uStream One Bluetooth-Stereolautsprecher

in voller Übereinstimmung mit

ErP-Richtlinie 2009/125 / EG

Verordnung der Kommission: (EG) Nr. 1275/2008 (EU) Nr. 801/2013

Prüfnorm EN 50564: 2011

RoHS-Richtlinie 2011/65 / EU und Änderungsrichtlinie (EU) 2015/863

EMC

ETSI EN 301 489-1 V2.2.3 (2019-11), (Draft) ETSI EN 301 489-17 V3.2.2 (2019-12),

EN 55032:2015, EN 55035:2017, EN 61000-3-2:2019, EN 61000-3-3:2019

Die bezeichneten Produkte wurden einer Musterprüfung unterzogen, für die

RED (Funkgeräte-Richtlinie) 2014/53 / EU

EN 62479:2010, EN 62368-1:2014+A11:2017, EN 301 489-1 V2.2.3, (draft) EN 301 489-17 V3.2.2, EN 300 328
V2.2.2

LVD (Niederspannungsrichtlinie) 2014/35 / EU

Shenzhen NTEK Testing Technology Co., Ltd

1/F, Building E, Fenda Science Park, Sanwei Community, Xixiang Street,
Bao'an District, Shenzhen 518126 P.R.China.

ausgegebene Prüfberichte nummeriert:

S20051301901001, S20051301902001, S20051301907001, S20051301908001

Und deshalb entsprechen die Produkte im Wesentlichen den
Anforderungen und Bestimmungen der EU-Richtlinien.

RoHs

Mitchell Acoustics ist befugt, unabhängige Spezialisten von Drittanbietern zu ernennen, die bei der Herstellung beraten, um sicherzustellen, dass die Herstellungspartner die Prüfung des Produktmaterialgehalts einhalten.

Bitten Sie die Lieferanten um Bestätigung, dass die Materialien den RoHs-Standards entsprechen und dass Abhilfemaßnahmen und Ersatzprogramme vorhanden sind und dass die Hersteller über Verfahren verfügen, um konforme von nicht konformen Materialien zu identifizieren, zu trennen und zu ersetzen

Die Erklärung liegt in der alleinigen Verantwortung des Herstellers / Importeurs.

Die Berichte werden gespeichert unter: -

Mitchell Acoustics Limited

Turner House, 9-10 Mill Lane, Alton, Hants GU34 2QG UNITED KINGDOM

Datum: 15. Juli 2020

Unterzeichnet:



Paul Mitchell – Direktor

FCC-Erklärung

Dieses Gerät wurde getestet und entspricht den Grenzwerten für digitale Geräte der Klasse B gemäß Teil 15 der FCC-Bestimmungen. Diese Grenzwerte sollen einen angemessenen Schutz gegen schädliche Störungen in einer Wohnanlage bieten. Dieses Gerät erzeugt, verwendet und strahlt möglicherweise Hochfrequenzenergie aus und kann, wenn es nicht gemäß den Anweisungen installiert und verwendet wird, die Funkkommunikation schädigen. Es kann jedoch nicht garantiert werden, dass bei einer bestimmten Installation keine Störungen auftreten. Wenn dieses Gerät den Radio- oder Fernsehempfang schädigt, was durch Aus- und Einschalten des Geräts festgestellt werden kann, wird der Benutzer aufgefordert, zu versuchen, die Störung durch eine der folgenden Maßnahmen zu korrigieren:

Richten Sie die Empfangsantenne neu aus oder stellen Sie sie neu auf.

Erhöhen Sie den Abstand zwischen Gerät und Empfänger.

Schließen Sie das Gerät an eine Steckdose an, die sich von dem Stromkreis unterscheidet, an den der Empfänger angeschlossen ist.

Wenden Sie sich an den Händler oder einen erfahrenen Radio- / Fernstechniker.

Dieses Gerät entspricht Teil 15 der FCC-Bestimmungen. Der Betrieb unterliegt den folgenden zwei Bedingungen:

1. Dieses Gerät darf keine schädlichen Störungen verursachen
2. Dieses Gerät muss alle empfangenen Störungen akzeptieren, einschließlich Störungen, die einen unerwünschten Betrieb verursachen können.¹⁰

FCC-Erklärung zur Strahlenexposition

Dieses Gerät entspricht den FCC-Grenzwerten für die Strahlenexposition in einer unkontrollierten Umgebung und Teil 15 der FCC-RF-Regeln. Dieses Gerät muss gemäß den bereitgestellten Anweisungen installiert und betrieben werden, und die für diesen Sender verwendeten Antennen müssen so installiert werden, dass ein Abstand von mindestens 20 cm zu allen Personen eingehalten wird. Sie dürfen nicht zusammen aufgestellt werden oder in Verbindung mit diesen betrieben werden jede andere Antenne oder jeder andere Sender. Endbenutzer und Installateure müssen Anweisungen zur Installation der Antenne erhalten und die Anweisung zur Nichtkollokation entfernen.

Das Gerät erfüllt die Ausnahme von den Grenzwerten für die routinemäßige Bewertung in Abschnitt 2.5 von RSS 102 und die Einhaltung der RSS-102-HF-Exposition. Benutzer können kanadische Informationen zur HF-Exposition und -Konformität erhalten.

Das Gerät für den Betrieb im Band 5150-5250 MHz ist nur für den Innenbereich vorgesehen, um die potenziell schädlichen Störungen für mobile Gleichkanalsatellitensysteme zu verringern.

Bei Geräten mit abnehmbaren Antennen muss der maximal zulässige Antennengewinn für Geräte im Band 5725-5850 MHz so sein, dass das Gerät weiterhin den Anforderungen von e.i.r.p. Grenzwerte für Punkt-zu-Punkt- und Nicht-Punkt-zu-Punkt-Betrieb.

VORSICHT! Jegliche Änderungen oder Modifikationen, die nicht ausdrücklich von der für die Einhaltung verantwortlichen Partei genehmigt wurden, können zum Erlöschen der Berechtigung des Benutzers zum Betrieb des Geräts führen.

IC-Erklärung

Dieses Gerät entspricht den lizenzfreien RSSs von Industry Canada. Der Betrieb unterliegt den folgenden zwei Bedingungen:

1. Dieses Gerät darf keine Störungen verursachen. und
2. Dieses Gerät muss alle Störungen akzeptieren, einschließlich Störungen, die einen unerwünschten Betrieb des Geräts verursachen können.

Dieser Sender darf nicht zusammen mit einer anderen Antenne oder einem anderen Sender aufgestellt oder betrieben werden. Dieses Gerät sollte mit einem Mindestabstand von 20 Zentimetern zwischen dem Kühler und Ihrem Körper installiert und betrieben werden.

IC-Strahlenexpositionserklärung

Dieses Gerät entspricht den für eine unkontrollierte Umgebung festgelegten Grenzwerten für die Strahlenexposition nach IC RSS-102. Dieses Gerät sollte mit einem Mindestabstand von 20 cm zwischen dem Kühler und einem Körperteil installiert und betrieben werden.

CE FC



Conforms to UL STD 62368-1 & CSA STD C22.2 NO.62368-1

Grazie da Paul Mitchell

Grazie di aver scelto un prodotto Mitchell Acoustics; questo significa molto per me perché ho lavorato sodo e ho passato molte notti insonni a progettarlo e svilupparlo. Spero davvero che soddisfi le vostre aspettative e vi piaccia usarlo.

Questo manuale di istruzioni vi illustrerà il funzionamento del dispositivo, oltre a fornire informazioni sulle procedure di sicurezza e di pulizia. Per conservare il prodotto in buone condizioni e garantirne il corretto funzionamento, si raccomanda di leggere attentamente le istruzioni e le norme di sicurezza.

Si consiglia di conservare insieme all'apparecchio il manuale di istruzioni per eventuali consulti qualora il dispositivo venga ceduto a terzi. Per ulteriori domande sul funzionamento o l'installazione del dispositivo, problemi di utilizzo, si prega di contattare un rivenditore specializzato o la nostra assistenza.

Non ci assumiamo alcuna responsabilità per eventuali danni subiti a seguito di un uso improprio derivante dal mancato rispetto delle istruzioni di sicurezza presenti in questo manuale. In tali circostanze, tutti i reclami in garanzia diverranno nulli. Non ci assumiamo alcuna responsabilità per eventuali danni consequenziali!

Questo prodotto è certificato EMV ed è conforme a tutti i requisiti delle linee guida europee, statunitensi e nazionali. Tutti i test specifici sono stati eseguiti e certificati; alla fine del manuale si trova la rispettiva dichiarazione di conformità.

Per ulteriori informazioni visitare il sito www.mitchellacoustics.co.uk.

Cordiali saluti,



Paul Mitchell

Fondatore e CEO

Mitchell Acoustics Ltd



Table of Contents

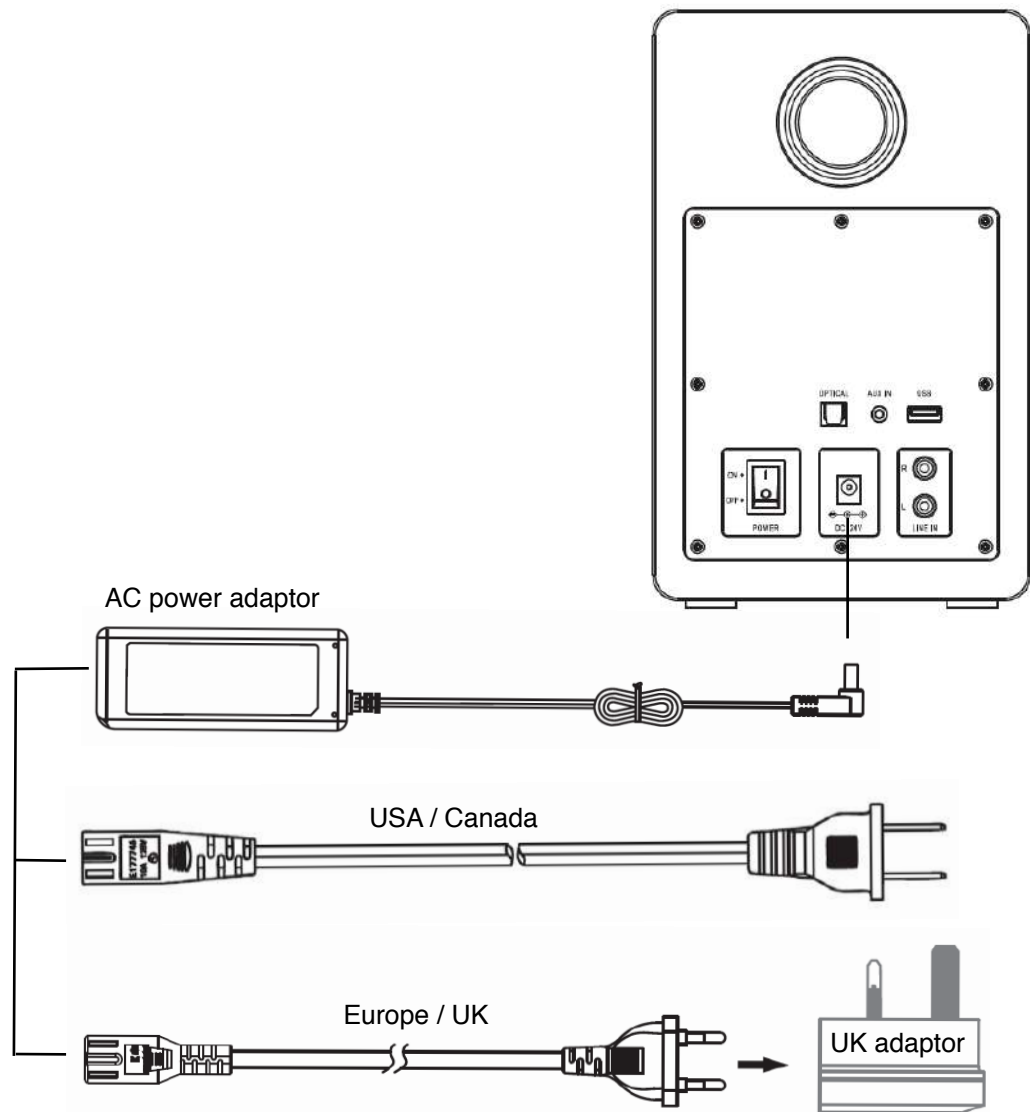
1	Guida Rapida	102
2	Intended Use	10
3	Safety Information	11
4	In the Box	12
5	Description of Parts	13
6	Initial Setup	18
	Initial Positioning and Power On	18
	Connecting to a Smart Device to use as preferred sound source	18
	Adjusting the volume with remote control handset	19
	Connecting Other Devices	19
	Connection of Analog RCA Audio Cables	19
	Connection of Optical TOSLINK Cables	19
7	Disposal	20
8	Troubleshooting	21
9	Specifications	22
10	DECLARATION OF CONFORMITY	24

Before use

Please read this instruction manual thoroughly before operating this device and retain it for further reference. Following and heeding all the information found in this instruction manual will maintain this product in good condition and ensure its safe operation. This instruction manual contains information on how to operate and maintain this device. Should a component require maintenance, servicing or repair, then please consult a qualified dealer or service technician.

1. Guida Rapida

1. Trova una posizione adatta per i tuoi altoparlanti uStream One. Assicurarsi che la superficie sia stabile con spazio sufficiente per il collegamento del cavo di alimentazione.
2. Individuare le 2 caselle bianche contenenti gli adattatori di alimentazione CA e i cavi.
3. Inserire il cavo di alimentazione dall'adattatore CA nella presa 24v sul pannello posteriore di ciascun altoparlante.



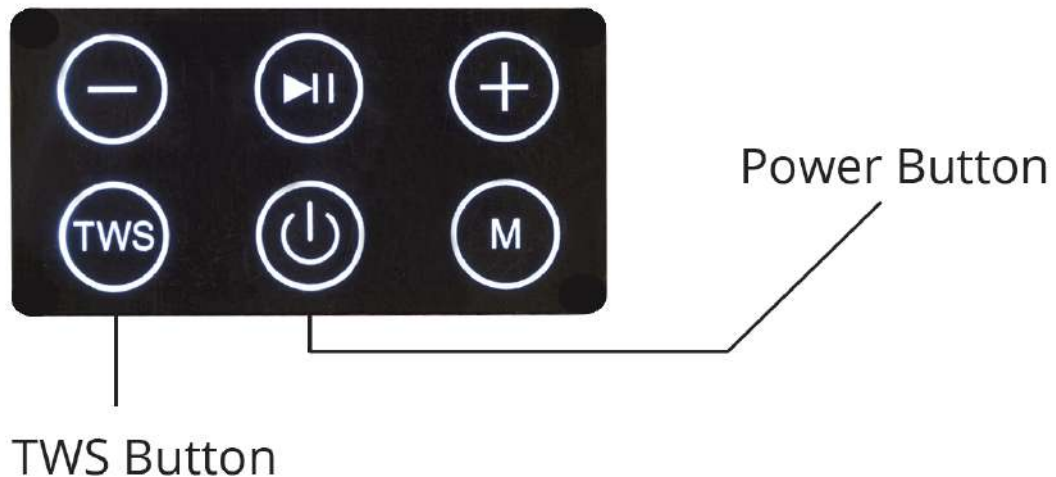
4. Individua i cavi di alimentazione rilevanti per la tua posizione. Scartare gli altri cavi di alimentazione. Collegare un'estremità del cavo di alimentazione alla presa a 2 pin dell'adattatore di alimentazione CA e l'altra estremità a una presa di alimentazione di rete.

Portare l'interruttore di alimentazione sul retro dell'altoparlante su ON.

5. Posizionare gli altoparlanti.

NOTA BENE ACCENDI PRIMA L'ALTOPARLANTE SINISTRO. Questo diventerà Speaker 1.

Accendi ogni altoparlante premendo il pulsante di accensione per 2 secondi. Sentirai una risposta vocale **"Power On"** (Accensione) per confermare, seguita dalla modalità predefinita "Bluetooth".



6. Una volta che ogni altoparlante è acceso, premere il pulsante TWS sull'altoparlante SINISTRO (non entrambi). Verrà ascoltata la risposta vocale "Connessione all'altoparlante 2", seguita pochi secondi dopo dal comando vocale "Altoparlante 2 connesso".
7. Sul dispositivo Bluetooth che desideri connettere agli altoparlanti, cerca "uStream One" nell'elenco dei dispositivi disponibili a cui connetterti e selezionalo. Si sentirà il comando vocale "Connessione a Bluetooth..Bluetooth connesso".

NOTA: se vedi più di un "uStream One" elencato nei dispositivi BT sul tuo dispositivo, significa che gli altoparlanti sinistro e destro non sono collegati tra loro. Torna indietro e segui i passaggi in 4. sopra.

8. Tutti i suoni riproducibili sul telefono ora verranno dagli altoparlanti uStream One in STEREO.

PRIMA DI UTILIZZARE IL TELECOMANDO VEDERE PAGINA 103

9. Utilizzare il telecomando in dotazione (puntarlo verso l'altoparlante SINISTRO) per aumentare il volume al massimo. Per fare ciò è necessario premere ripetutamente il pulsante "Vol +" sul telecomando. Quando viene raggiunto il volume massimo, sentirai una serie di forti "Beep".

Ora puoi utilizzare il controllo del volume sul tuo dispositivo per regolare il volume generale.

2. Uso previsto

Questo dispositivo è un altoparlante attivo integrato progettato per avere vari componenti audio o dispositivi Bluetooth collegati ai suoi ingressi.

Attenersi a tutte le informazioni e le istruzioni di sicurezza presenti in questo manuale di istruzioni.

3. Informazioni sulla sicurezza

Le seguenti avvertenze di sicurezza e di pericolo non sono solo per la protezione del dispositivo, ma servono anche come protezione contro potenziali rischi per la salute. Si prega di leggere attentamente le seguenti istruzioni.

Non ci assumiamo alcuna responsabilità per danni personali o alla proprietà derivanti dal mancato rispetto delle istruzioni di sicurezza, o da un uso o manipolazione impropria. In tali circostanze, tutti i reclami in garanzia diverranno nulli

- Per motivi di sicurezza e di certificazione, qualsiasi modifica e / o modifica non autorizzata al dispositivo è vietata e invaliderà la garanzia e tutti i reclami in garanzia.
- Tutte le persone che utilizzano, installano, configurano o effettuano la manutenzione di questo dispositivo devono essere adeguatamente addestrate e qualificate e osservare queste istruzioni per l'uso.
- Verificare che il dispositivo sia stato impostato correttamente seguendo tutte le istruzioni presenti nel manuale di istruzioni
- I cavi di alimentazione devono essere disposti in modo tale che non possano essere calpestati, schiacciati o pizzicati da oggetti posti sopra o contro di essi. Prestare particolare attenzione ai cavi nelle spine, nelle prese di corrente e nel punto in cui escono dal dispositivo. Evitare di esporre il cavo a calore o freddo estremi. Ignorare le istruzioni sopra menzionate potrebbe causare danni al cavo e presentare il pericolo di scosse elettriche.
- Per interrompere completamente l'alimentazione al dispositivo, scollegare la spina di alimentazione dalla presa a muro. Il semplice spegnimento del dispositivo con il pulsante ON / OFF non è sufficiente. Assicurati inoltre che le prese di corrente siano facilmente accessibili.
- Tirare sempre le impugnature della spina e mai il cavo per rimuoverlo da una presa a muro. Scollegare il dispositivo dalla presa di corrente se non viene utilizzato per un periodo di tempo più lungo.
- Non utilizzare mai il dispositivo se il cavo di alimentazione o il dispositivo è danneggiato.
- Gli altoparlanti non devono mai entrare in contatto con acqua o umidità e nessun oggetto riempito di liquidi, come vasi, dovrebbe essere collocato sugli altoparlanti.
- Utilizzare i diffusori in un clima moderato e non esporli mai a temperature estreme, come l'umidità elevata.
- Assicurarsi che gli altoparlanti siano posizionati su una superficie solida e stabile o montati su supporti o staffe di montaggio adeguati.
- Tenere presente che un'eccessiva pressione sonora creata durante l'ascolto ad alto volume per periodi prolungati può causare danni permanenti all'udito.
- Attenersi alle informazioni aggiuntive sulla sicurezza che si trovano nei singoli capitoli di questo manuale di istruzioni.
- Quando si collegano altri dispositivi, fare riferimento alle istruzioni di sicurezza e funzionamento che si trovano nella documentazione che accompagna il dispositivo.
- Pulire solo con un panno asciutto.
- Si prega di contattare noi o un tecnico dell'assistenza per ulteriori informazioni, in caso di dubbi sul funzionamento del dispositivo, sulla sicurezza o quando si effettuano i collegamenti o se sorgono domande non spiegate in questo manuale.
- Contribuire a un ambiente migliore utilizzando un sito di riciclaggio designato per lo smaltimento del materiale di imballaggio.

Interferenza elettromagnetica

- Il normale funzionamento del prodotto può essere influenzato da forti interferenze elettromagnetiche provenienti da altri dispositivi. In tal caso, è sufficiente ripristinare il prodotto per riprendere il normale funzionamento seguendo il manuale dell'utente. Se ciò non riesce, potrebbe essere necessario utilizzare gli altoparlanti in una posizione diversa.

4. Nella scatola

Ecco cosa troverai nella confezione. Gli accessori possono essere trovati in 2 semplici scatole bianche.

Si prega di controllare che tutte queste parti siano presenti prima di procedere. Si prega di informare il proprio rivenditore se qualche parte è mancante o danneggiata.

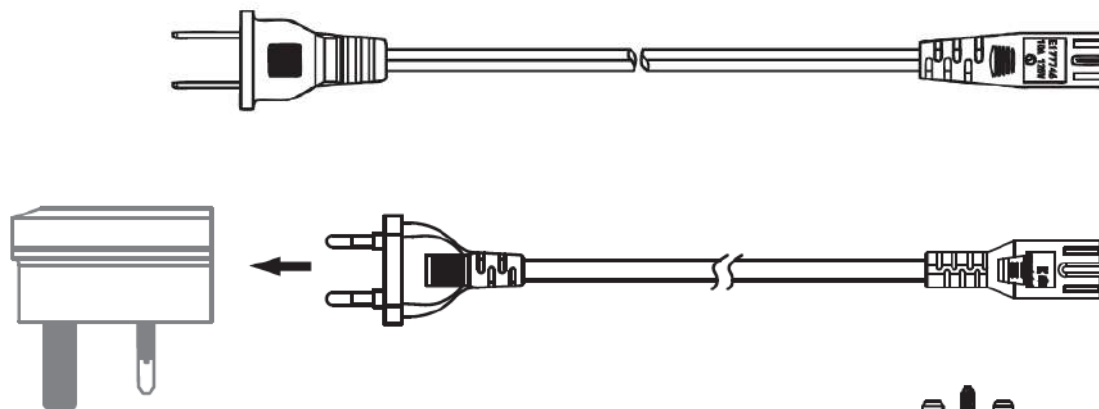
2 x uStream One



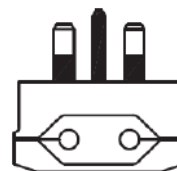
1 x dispositivo telecomando



2 x cavo di alimentazione di rete (2 x Nord America, 2 x Europa)



2 x Adattatore di rete per il Regno Unito (situato nella parte inferiore della confezione)



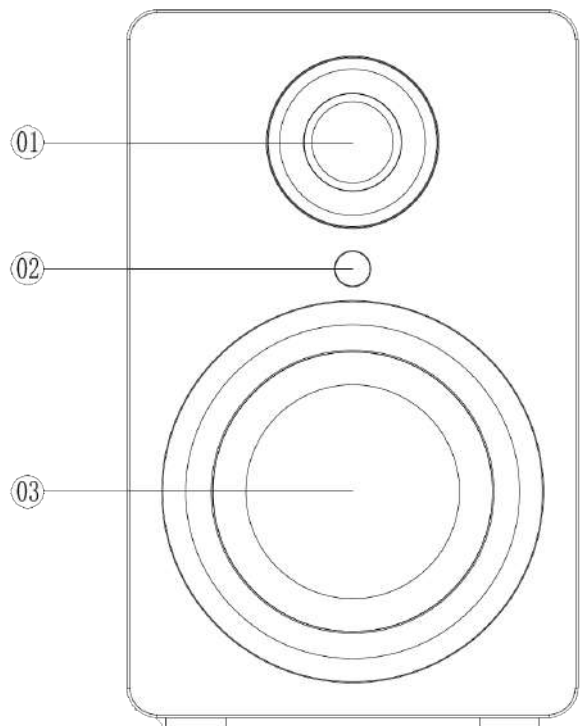
2 x Adattatore di rete AC (100-240 V)



5. Descrizione delle parti

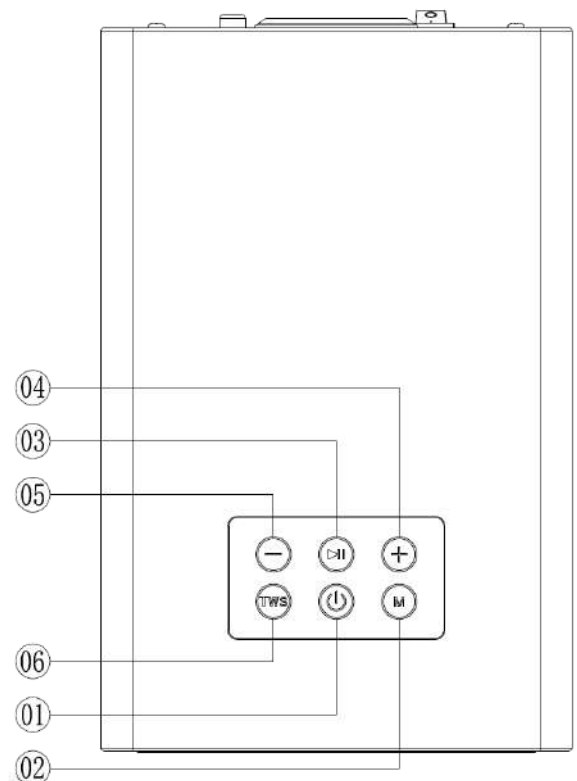
Davanti

1. Altoparlante per acuti
2. Ricevitore del telecomando
3. Altoparlante per bassi



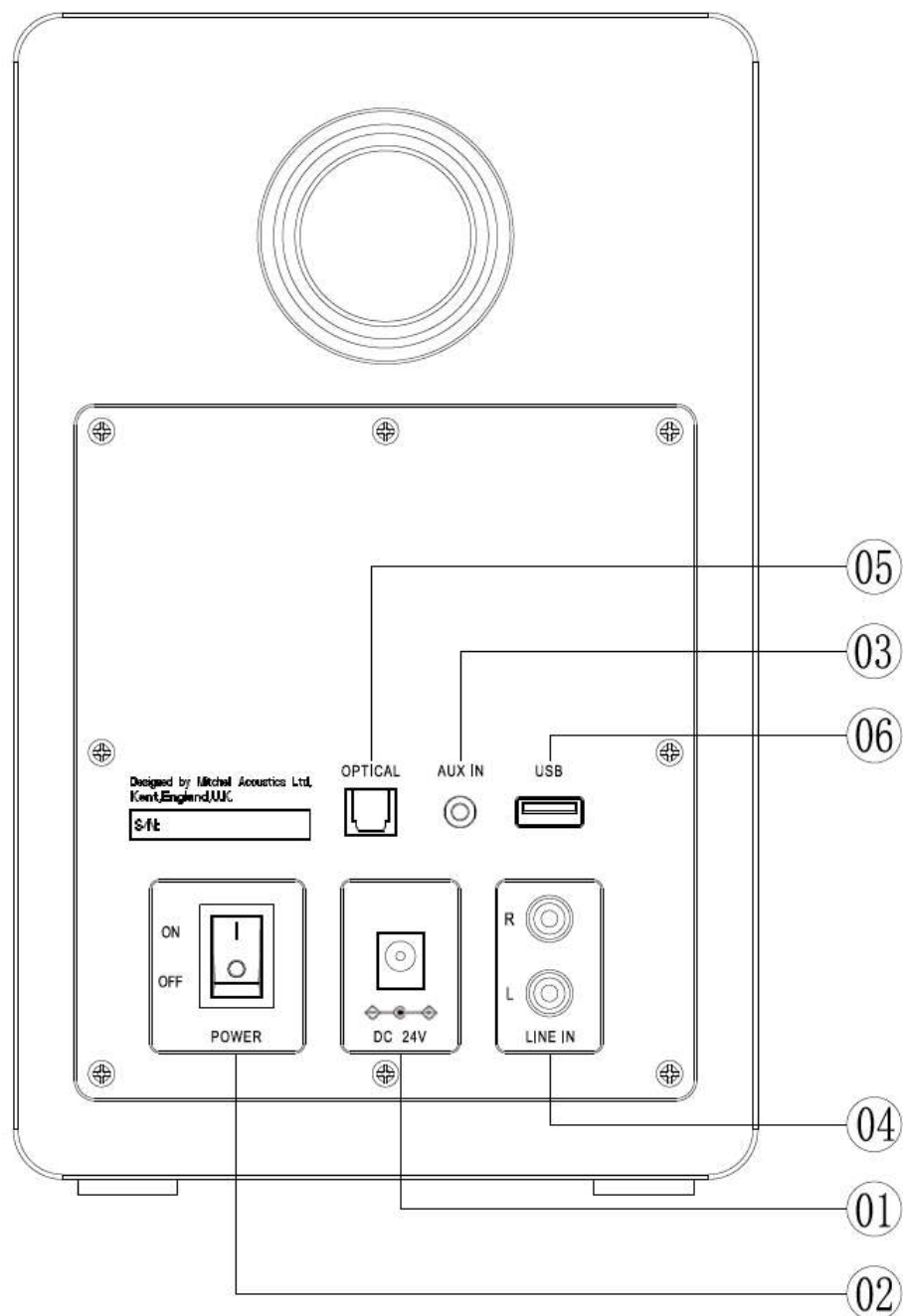
Pannello superiore

1. Pulsante di accensione: tenere premuto per 2 secondi per accendere, tenere premuto per 5 secondi per spegnere. (* L'unità si spegnerà automaticamente dopo 15 minuti in assenza di segnale in ingresso).
2. Pulsante modalità: tenere premuto per 2 secondi per l'elenco delle opzioni, in una sequenza di funzioni è BLUETOOTH / AUX-IN / LINE-IN / OPTICAL. Ogni pressione è accompagnata da un comando vocale che conferma la modalità.
3. Pulsante Riproduci / Pausa: tieni premuto per riprodurre la traccia, quindi tieni premuto per mettere in pausa la traccia. Tenere premuto per 5 secondi per disconnettere la connessione BT.
4. Pulsante Volume + / Successivo: premere a lungo per accedere alla traccia successiva nella playlist. Pressione breve per aumentare il volume.
5. Pulsante Volume- / Precedente: premere a lungo per accedere all'ultima traccia nella playlist. Pressione breve per abbassare il volume.
6. Pulsante TWS: premere brevemente uno dei due per collegare gli altoparlanti, l'unità sarà automaticamente in modalità TWS. (Le unità tenderanno automaticamente di connettersi tramite TWS all'accensione una volta eseguita la configurazione iniziale, quindi l'uso di questo pulsante è necessario solo se l'associazione non riesce a causa del riposizionamento degli altoparlanti)



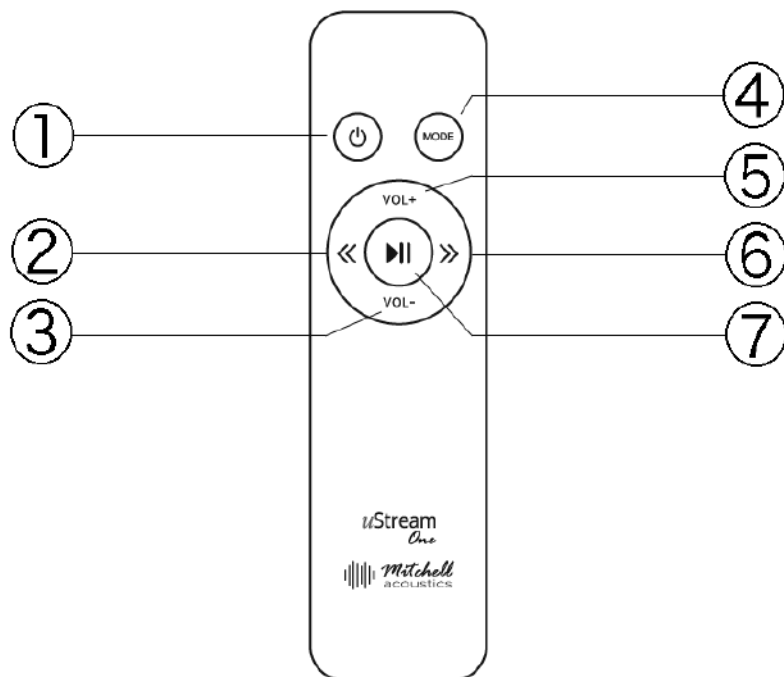
Pannello posteriore

1. DC in 24V 3A. Inserire il connettore rotondo all'estremità del cavo dell'adattatore CA.
2. Interruttore di accensione / spegnimento
3. Presa jack stereo AUX IN da 3.5 mm
4. Ingresso di linea stereo RCA sinistro e destro
5. OPTICAL IN per ingresso ottico TOSLINK
6. Ingresso USB per l'aggiornamento del firmware USB



Microtelefono del telecomando

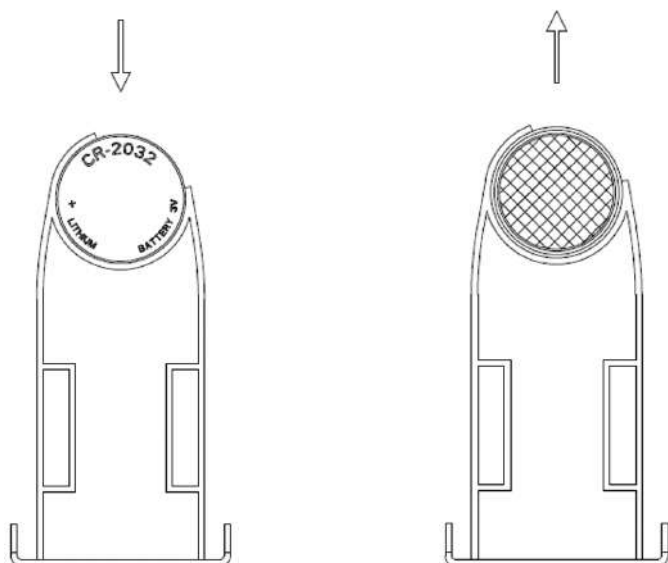
1. Accensione dalla modalità standby
2. Traccia precedente
3. Volume basso
4. Cambia modalità
5. Alza il volume
6. Prossima traccia
7. Play pausa. Tenere premuto per 5 secondi per disconnettere la connessione BT.



Batteria del microtelefono del telecomando

Il telecomando è fornito con una batteria CR-2032. Tuttavia, è stato deliberatamente montato al contrario per preservare la durata della batteria prima del primo utilizzo.

Rimuovere il vassoio della batteria come indicato e rimuovere la batteria e sostituirla con i numeri rivolti verso il basso. Quindi sostituire il vassoio della batteria come indicato.



Informazioni sulla gestione delle batterie

Attenersi alle seguenti informazioni quando si maneggiano batterie e batterie ricaricabili.


- Tenere le batterie fuori dalla portata dei bambini.
- Non lasciare mai le batterie in giro senza sorveglianza. Se ingeriti, potrebbero rappresentare un rischio di soffocamento per bambini e animali domestici. Cerca immediatamente assistenza medica di emergenza, se ciò dovesse accadere.
- Le batterie sono pericolose e non appartengono ai rifiuti domestici.
- Verificare la corretta polarità quando si inseriscono le batterie.
- Non esporre mai le batterie a temperature estreme, come luce solare, fuoco, forni, ecc. C'è il rischio di esplosione!
- Assicurarsi che le batterie non vengano smontate, cortocircuitate o gettate nel fuoco.
- Il contatto con batterie che perdono o danneggiate potrebbe causare ustioni alla pelle. Usare guanti protettivi adatti per maneggiare tali batterie.

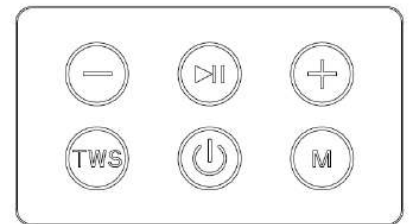
6. Configurazione iniziale

Connessione di alimentazione

1. Ci sono 2 cavi di alimentazione in ogni scatola dell'alimentatore. Uno è per il Nord America e uno è per l'Europa. Per l'utilizzo nel Regno Unito è disponibile un adattatore in cui inserire il cavo europeo a due pin come mostrato nella Guida rapida. Collegare il relativo cavo di alimentazione CA all'adattatore CA in dotazione.
2. Collegare il cavo dell'adattatore CA al retro di ciascun dispositivo.
3. Collegare il cavo di alimentazione CA alla rete di alimentazione.
4. Accendere l'alimentazione tramite l'interruttore on / off sul retro di ogni altoparlante.

Posizionamento iniziale e accensione

1. L'altoparlante SINISTRO deve essere acceso PER PRIMO e sarà sempre Altoparlante 1.
2. Accendere gli altoparlanti premendo  sul pannello superiore per 2 secondi.
3. La voce di conferma sarà udibile. "Accensione" con conferma della modalità.



Connessione TWS (True Wireless Stereo)

1. Assicurati che gli altoparlanti non abbiano una connessione Bluetooth attiva con un dispositivo. Disattiva il Bluetooth sul dispositivo che intendi connettere agli altoparlanti prima di accoppiare gli altoparlanti tra loro.
2. Premere il pulsante "TWS" sull'altoparlante 1 (altoparlante sinistro) per avviare la modalità di accoppiamento automatico tra le due unità. C'è una conferma vocale "Connessione all'altoparlante 2" seguita da "Altoparlante 2 connesso".
3. NB: in modalità True Wireless Stereo, solo "Speaker 1, LEFT" supporta le connessioni AUX / LINE IN / OPTICAL.
4. Non è necessario completare i passaggi TWS sopra per ogni utilizzo. Una volta completata la configurazione iniziale, gli altoparlanti si collegheranno automaticamente tra loro.

Connessione Bluetooth

1. Abilita il Bluetooth sul dispositivo che desideri connettere. Nel menu Bluetooth del tuo dispositivo, cerca "uStream One" e selezionalo per connetterti. Sentirai un comando vocale "Connessione a Bluetooth"
2. Sentirai una conferma vocale dall'altoparlante per confermare la connessione. "Bluetooth connesso"
3. Ora puoi ascoltare la musica dal tuo dispositivo tramite una qualsiasi delle tue app musicali e il suono dovrebbe essere in stereo da entrambi gli altoparlanti.

Collegamento a un dispositivo intelligente da utilizzare come sorgente sonora preferita

1. Puoi utilizzare uStream Ones come altoparlante Bluetooth preferito con qualsiasi dispositivo smart home come Amazon™ Echo o Google™ Home.
2. Ciò significa che puoi utilizzare il controllo vocale per selezionare la musica da riprodurre e ascoltare in stereo completo tramite gli altoparlanti uStream One.
3. Segui le istruzioni tramite l'app del tuo dispositivo smart sul tuo dispositivo mobile o visita www.mitchellacoustics.co.uk per una spiegazione più dettagliata.

Regolazione del volume con il telecomando

Puntare il telecomando verso l'altoparlante 1 (sinistro) e premere ripetutamente il pulsante Volume + sul telecomando. (Non premere semplicemente e tenere premuto)

Quando viene raggiunto il volume massimo, verrà emesso un segnale acustico.

È ora possibile utilizzare il dispositivo per regolare il volume su e giù.

Collegamento di altri dispositivi

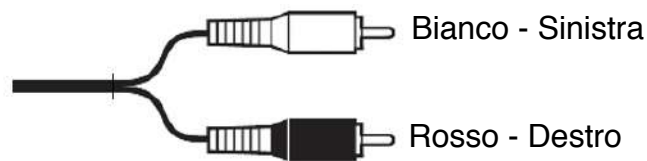
Qualora si vogliono collegare altri dispositivi a uStream One come un lettore musicale esterno o un giradischi. Sono disponibili 3 collegamenti ausiliari esterni che possono essere utilizzati, ma ricorda che devono essere collegati a "Altoparlante 1" per poter ascoltare il suono stereo da entrambi gli altoparlanti contemporaneamente.

Le possibili connessioni sono:

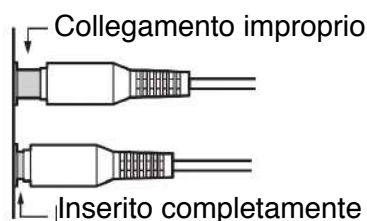
1. RCA sinistra e destra
2. Jack di ingresso stereo da 3,5 mm
3. TOSLINK ottico

Collegamento di cavi audio RCA analogici

Prestare attenzione ai colori delle spine e ai canali sinistro e destro quando si collegano i cavi audio RCA.



Garantire una buona connessione assicurandosi di inserire completamente le spine. Il mancato inserimento completo può causare rumori o malfunzionamenti.



Collegamento corretto dei cavi TOSLINK ottici

Gli altoparlanti contengono un ingresso ottico di alta qualità che funziona con la maggior parte dei televisori tramite a cavo TOSLINK standard. Assicurati che il tuo televisore sia impostato per emettere audio digitale in PCM formato. Fare riferimento al manuale dell'utente del televisore per i dettagli. Fai attenzione a far corrispondere il file forma correttamente sui cavi ottici.



7. Disposizione



Smaltimento dell'imballo

Ordina la confezione prima di smaltirla. Smaltire carta e cartone con il servizio di carta riciclata e confezioni con l'apposito servizio di raccolta.

Smaltimento degli altoparlanti

I vecchi apparecchi non possono essere smaltiti con i rifiuti domestici!

Se prima o poi gli altoparlanti non possono più essere utilizzati, smaltirli in conformità con le normative in vigore nella tua città o contea. Ciò garantisce che i vecchi apparecchi vengano riciclati in un file modo responsabile ed esclude anche conseguenze negative per l'ambiente.

Smaltimento della batteria

Le batterie non possono essere smaltite con i rifiuti domestici!

Come utente finale sei tenuto per legge a portare tutte le batterie, indipendentemente dal fatto che contengano nocive sostanze * o meno, a un punto di raccolta gestito dall'autorità comunale o ad un rivenditore, in modo che possano essere smaltiti in modo ecologico.

* etichettato con: Cd = cadmio, Hg = mercurio, Pb = piombo

RoHS

8. Risoluzione dei problemi

PROBLEMA	POSSIBILE SOLUZIONE
Nessuna alimentazione quando è acceso sul retro	<p>Presenza a muro non accesa o difettosa</p> <p>Spina non completamente inserita nella presa a muro</p> <p>Il fusibile nella spina dell'adattatore potrebbe essere bruciato.</p> <p>Il fusibile di rete interno è bruciato all'interno del Adattatore CA, (dovrà essere sostituito da un tecnico dell'assistenza qualificato)</p> <p>Il fusibile nella scatola dei fusibili per uso domestico è bruciato o il circuito è scattato.</p>
Nessun suono	<p>Alimentazione non accesa.</p> <p>Impostazione del volume troppo bassa.</p> <p>Nessun dispositivo audio in ingresso è collegato o è difettoso.</p> <p>Sorgente di ingresso audio corretta non selezionata sul pannello superiore.</p>
Nessun suono in un canale	<p>Cavi di ingresso della sorgente audio collegati in modo errato o danneggiato</p> <p>Funzione TWS non attivata</p>
Forte ronzio	<p>È normale con l'audio Bluetooth che ci sia un rumore di fondo di basso livello quando viene riprodotto un audio di livello molto basso, come le lacune nella musica classica.</p> <p>I cavi di collegamento audio sono danneggiati o non collegati correttamente</p>
Telecomando non funzionante	<p>Verificare che le batterie siano state inserite correttamente.</p> <p>Se le batterie sono scariche, sostituirle con altre nuove.</p> <p>Rimuovere tutti gli oggetti trovati tra il telecomando e il sensore del telecomando.</p> <p>Assicurarsi che la distanza tra il telecomando e il dispositivo non superi i 5 m</p>
I pulsanti non funzionano (sull'unità e / o sul telecomando)	<p>Spegnere l'unità e quindi riaccenderla.</p> <ul style="list-style-type: none"> In alternativa, spegnere l'unità, scollegarla dalla presa di corrente e ricollegarla.
Sto riscontrando interruzioni sul mio altoparlante DESTRO	<p>Dispositivi come microonde, telefoni cordless, Bluetooth, mouse o dispositivi Wi-Fi collegati a 2,4 GHz che funzionano sulla stessa frequenza possono causare interferenze e provocare interruzioni. Prova a rimuovere questo tipo di dispositivo dalle vicinanze. È inoltre possibile utilizzare le app di analisi di rete disponibili sul mercato per controllare lo stato della rete e delle interferenze.</p>

9. Specifica

Potenza di uscita nominale (RMS)	50 watt per canale
DAT (Distorsione Armonica Totale)	< 0.1 % (1 kHz 1 W)
Risposta in frequenza	20 Hz-20 kHz
Impedenza	8 ohms
Rapporto segnale-rumore	>75dB
Ingressi analogici	RCA L+R 3.5mm stereo mini-jack
Ingressi digitali	TOSLINK Oplitco
Bluetooth	Action Technology V5.0 con collegamento True Wireless Stereo tra altoparlanti L + R Portata Bluetooth ca. 33 piedi / 10 m
Amplificatore	Amplificatore stereo digitale di classe D Texas Instruments TPA3116D2 con tecnologia di prevenzione AM
Driver dell'altoparlante	Woofer (bassa frequenza) bobina da 4 "/ 106mm CLARI-t con magnete al neodimio da 20oz / 566g e diaframma in lega di magnesio Tweeter (alta frequenza) 1.5 "/ 38mm driver CLARI-t
Alimentazione elettrica	DC 24V 3A, AC adaptor 100-230V, 50/60 Hz
Dimensioni	(P x A x P) : 150 x 235 x 230 mm 5 29/32' x 9 1/4" x 9 1/16"
Peso	3.3kg / 7lbs 40z ogni altoparlante
Origine	Precision progettato e prodotto in Cina

10. Dichiarazione di conformità

Mitchell Acoustics come produttore certifica che il seguente prodotto designato
Altoparlanti stereo Bluetooth Mitchell Acoustics uStream One
sono in piena conformità con

Direttiva ErP 2009/125/EC

Regolamento della Commissione: (CE) n. 1275/2008 (UE) n. 801/2013

Standard di prova EN 50564: 2011

Direttiva **RoHS** 2011/65 / UE e direttiva di modifica (UE) 2015/863

EMC

ETSI EN 301489-1 V2.2.3 (2019-11), (Bozza) ETSI EN 301489-17 V3.2.2 (2019-12),

EN 55032: 2015, EN 55035: 2017, EN 61000-3-2:2019, EN 61000-3-3:2019

I prodotti designati sono stati sottoposti a test a campione per i quali

RED (Direttiva sulle apparecchiature radio) 2014/53/EU

EN 62479:2010, EN 62368-1:2014+A11:2017, EN 301 489-1 V2.2.3, (draft) EN 301 489-17
V3.2.2, EN 300 328 V2.2.2

LVD (Direttiva sulla bassa tensione) 2014/35/EU

Shenzhen NTEK Testing Technology Co., Ltd

1/F, Building E, Fenda Science Park, Sanwei Community, Xixiang Street,
Bao'an District, Shenzhen 518126 P.R.China.

rapporti di prova emessi numerati:

S20051301901001, S20051301902001, S20051301907001, S20051301908001

E quindi i prodotti rispettano l'essenziale
requisiti e le disposizioni delle Direttive UE.

RoHs

Mitchell Acoustics ha una politica di nomina di specialisti di terze parti indipendenti per fornire consulenza sulla produzione per garantire che i partner di produzione rispettino i test del contenuto del materiale del prodotto; chiedere conferma ai fornitori che i materiali soddisfino gli standard RoHs, che siano in atto programmi di riparazione e sostituzione e che i produttori dispongano di procedure per identificare, separare e sostituire i materiali conformi da quelli non conformi

La dichiarazione è di esclusiva responsabilità del produttore / importatore.

Le relazioni sono archiviate presso: -

Mitchell Acoustics Limited

Turner House, 9-10 Mill Lane, Alton, Hants GU34 2QG REGNO UNITO

Data: 15 luglio 2020



Firmato: Paul Mitchell – Direttore

Dichiarazione FCC

Questa apparecchiatura è stata testata ed è risultata conforme ai limiti per un dispositivo digitale di Classe B, ai sensi della Parte 15 delle norme FCC. Questi limiti sono progettati per fornire una protezione ragionevole contro le interferenze dannose in un'installazione residenziale. Questa apparecchiatura genera, utilizza e può irradiare energia in radiofrequenza e, se non installata e utilizzata secondo le istruzioni, può causare interferenze dannose alle comunicazioni radio. Tuttavia, non vi è alcuna garanzia che l'interferenza non si verificherà in una particolare installazione. Se questa apparecchiatura causa interferenze dannose alla ricezione radiofonica o televisiva, che possono essere determinate accendendo e spegnendo l'apparecchiatura, l'utente è incoraggiato a cercare di correggere l'interferenza adottando una delle seguenti misure:

Riorientare o riposizionare l'antenna ricevente.

Aumentare la distanza tra l'attrezzatura e il ricevitore.

Collegare l'apparecchiatura a una presa su un circuito diverso da quello a cui è collegato il ricevitore.

Consultare il rivenditore o un tecnico radio / TV esperto per assistenza.

Questo dispositivo è conforme alla Parte 15 delle norme FCC. Il funzionamento è soggetto alle seguenti due condizioni:

1. Questo dispositivo non può causare interferenze dannose e
2. Questo dispositivo deve accettare qualsiasi interferenza ricevuta, incluse le interferenze che potrebbero causare un funzionamento indesiderato

Dichiarazione FCC sull'esposizione alle radiazioni

Questo dispositivo è conforme ai limiti di esposizione alle radiazioni FCC stabiliti per un ambiente non controllato ed è inoltre conforme alla Parte 15 delle norme RF FCC. Questa apparecchiatura deve essere installata e utilizzata in conformità con le istruzioni fornite e le antenne utilizzate per questo trasmettitore devono essere installate in modo da fornire una distanza di separazione di almeno 20 cm da tutte le persone e non devono essere collocate o funzionare insieme a qualsiasi altra antenna o trasmettitore. Agli utenti finali e agli installatori devono essere fornite le istruzioni per l'installazione dell'antenna e valutare la possibilità di rimuovere la dichiarazione di non collocazione.

Il dispositivo soddisfa l'esenzione dai limiti di valutazione di routine nella sezione 2.5 di RSS 102 e la conformità con l'esposizione a RF RSS-102, gli utenti possono ottenere informazioni canadesi sull'esposizione e sulla conformità RF.

Il dispositivo per il funzionamento nella banda 5150-5250 MHz è solo per uso interno per ridurre le potenziali interferenze dannose ai sistemi satellitari mobili co-canalizzati.

Per i dispositivi con antenna rimovibile, il guadagno massimo dell'antenna consentito per i dispositivi nella banda 5725-5850 MHz deve essere tale che l'apparecchiatura sia ancora conforme alla normativa e.i.r.p. limiti specificati per il funzionamento da punto a punto e non da punto a punto, a seconda dei casi.

ATTENZIONE! Qualsiasi cambiamento o modifica non espressamente approvata dalla parte responsabile della conformità potrebbe invalidare l'autorità dell'utente a utilizzare l'apparecchiatura.

Dichiarazione IC

Questo dispositivo è conforme agli RSS esenti da licenza di Industry Canada. Il funzionamento è soggetto alle seguenti due condizioni:

1. Questo dispositivo non può causare interferenze; e
2. Questo dispositivo deve accettare qualsiasi interferenza, incluse le interferenze che potrebbero causare un funzionamento indesiderato del dispositivo.

Questo trasmettitore non deve essere posizionato o funzionare insieme ad altre antenne o trasmettitori. Questa apparecchiatura deve essere installata e utilizzata con una distanza minima di 20 centimetri tra il radiatore e il corpo.

Dichiarazione IC sull'esposizione alle radiazioni

Questa apparecchiatura è conforme ai limiti di esposizione alle radiazioni IC RSS-102 stabiliti per un ambiente non controllato. Questa apparecchiatura deve essere installata e utilizzata con una distanza minima di 20 cm tra il radiatore e qualsiasi parte del corpo.

Dichiarazione UL

L'adattatore di alimentazione CA è stato testato e trovato conforme a standard UL 62368-1

Dichiarazione CSA

L'adattatore di alimentazione CA è stato testato e trovato conforme a standard CSA C22.2 No: 62368-1



www.mitchellacoustics.co.uk
www.mitchellacoustics.us