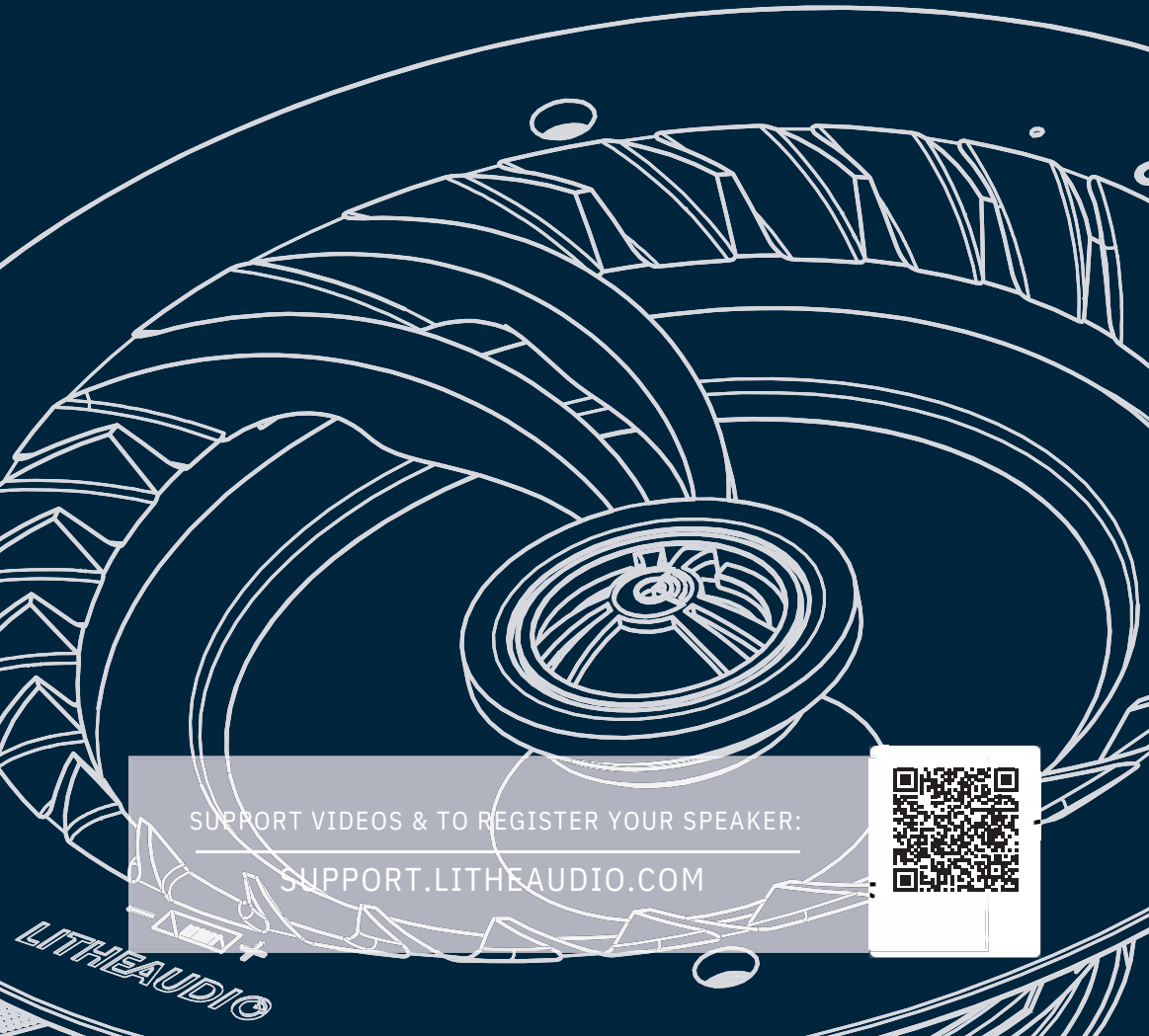


ENG
ESP
FR

LITHEAUDIO®

 Bluetooth® CEILING SPEAKER

INSTRUCTION MANUAL



SUPPORT VIDEOS & TO REGISTER YOUR SPEAKER:

[SUPPORT.LITHEAUDIO.COM](https://support.litheaudio.com)



LITHEAUDIO®

INSTALLATION WARNING

Before commencing any electrical work to avoid the risk of electric shock locate and remove fuse or lock circuit breaker in the POWER OFF position before proceeding. Test the power is OFF before wiring. Wiring with the power on can result in serious personal injury, re and death.

WARNING: If you are unsure about any part of these instructions, please consult an electrician. **IMPORTANT NOTES CODES:** Before use please read completely the safety instructions and installed and/or used in accordance with all local and national electrical codes and regulations or latest edition of IEE regulations (BS 7671) in the UK.

BREAKER: Proper short-circuit and overload protection must be provided at the distribution panel. Up to a 10 A maximum circuit breaker/MCB may be used (with adequate short-circuit breaking capacity for your installation) if used in conjunction with lighting circuit, OR dedicated circuit for speakers, a 3 A maximum circuit breaker/MCB may be used.

If the unit is to be used as a replacement for an existing product, remove the existing unit from its location and disconnect the wiring. Connect the wires correctly in the power driver. Ensure terminals are properly tightened and ensure no bare wires are visible. When tting the speaker into the ceiling, ensure no wires are trapped

NOTE: To meet US local and national NEC code, for these types of installations you will need contact your local contractor for installation. Please visit support.litheaudio.com for latest installation guides/updates.

READ THE INSTRUCTIONS CAREFULLY BEFORE STARTING THE INSTALLATION PROCESS AND KEEP THEM SAFE FOR FUTURE REFERENCE.

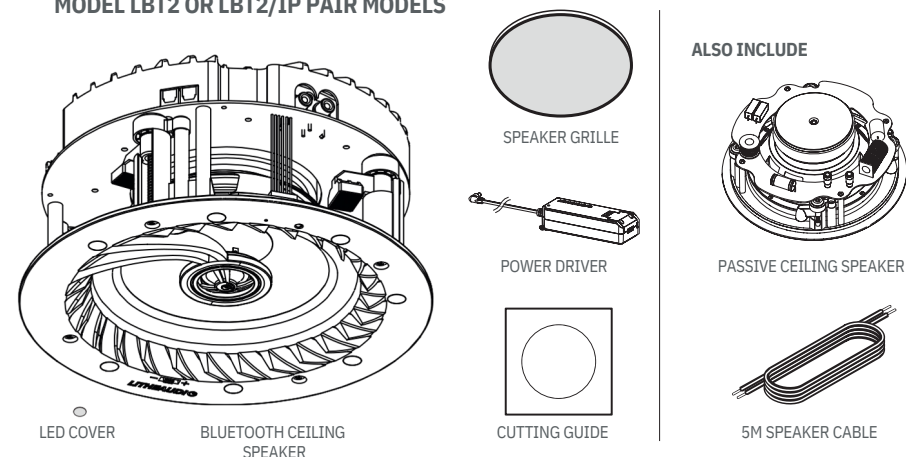
- Failure to follow the instructions in this guide voids all warranties on your speakers.
- Warning: Do not use the product in water.
- Warning: Do not install speaker directly above any heat sources such as radiators, or other apparatus that produce heat.
- Warning: To reduce the risk of re or electric shock, do not expose this speaker to rain or moisture (directly above bath or shower area) or in Bathroom Zone 0 or Zone 1.
- Protect the power cable from being damaged, do not over stretch cable.
- Only use attachments/accessories speci ed by the manufacturer Lithe Audio.
- Turn o the power to the speaker when unused for long periods of time.
- A Fire and Acoustic speaker hood must be used in accordance with local and national electrical codes and regulations. For the UK, building and IEE Regulations with a fire rating of up to 60 minutes, is Parts B, L, C and E compliant.
- Do not open the back cover to the speaker as this protects the PCB, doing so will invalidate the warranty and could cause electric shock.
- Ensure speaker location is free from obstructions such as electrical conduit, HVAC ducts or Water lines.

BOX CONTENTS

Please ensure you read the entire instruction manual carefully before you commence any work. Carefully unpack the speakers from the packaging. Please check to ensure all the parts shown below are included.

If any parts of the speaker appear damaged, please contact your dealer/reseller immediately or contact support@litheaudio.com for contact details.

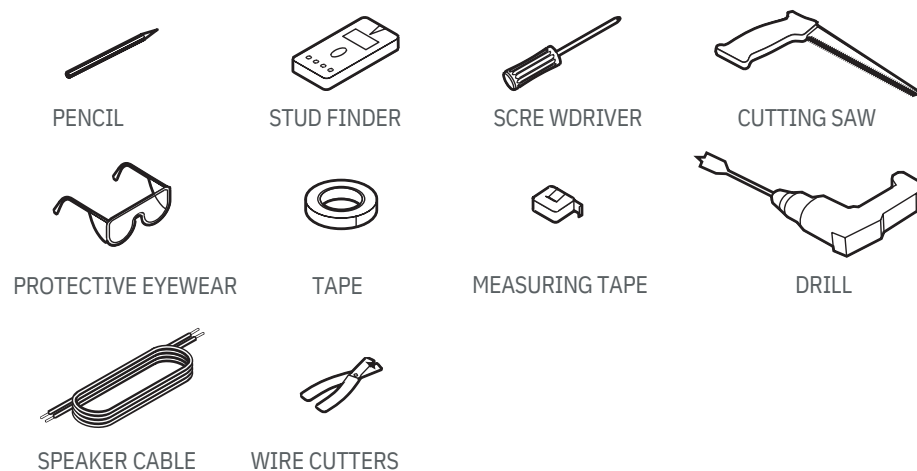
MODEL LBT2 OR LBT2/IP PAIR MODELS



PREPARATION

EQUIPMENT YOU WILL NEED

Listed below is the hardware equipment needed to install the speaker, with the addition of a ladder to ensure the installation is done safely. A cutting template is included in the box.



KNOW YOUR SPEAKER

The Lithe Audio LBT2 range of Bluetooth ceiling wireless speakers have various inputs:

SPEAKER OUTPUT - To connect one additional passive (Slave) speaker (Gold Plated)

LITHE-LINKTM - Connect 2 additional LBT speakers (Total 3 masters & 3 passives)

RCA INPUTS - To connect directly from TV Output, Amazon echo, projector etc..

POWER INPUT - To connect (as supplied) Through Power driver

Connection Reset Button Requires a in ceiling depth of

3.8" (95mm)
LED indicator

Magnets for Cover (8)

Enviromental
equalizer (+/- 3db)

Power input 24V/2.5A

Stereo / Mono selector
50% Volume cap switch

Lithe Link connections

Built-in Ampli er
& Bluetooth 5.0

RCA Input

RC A-(Black) RC A+(Red)

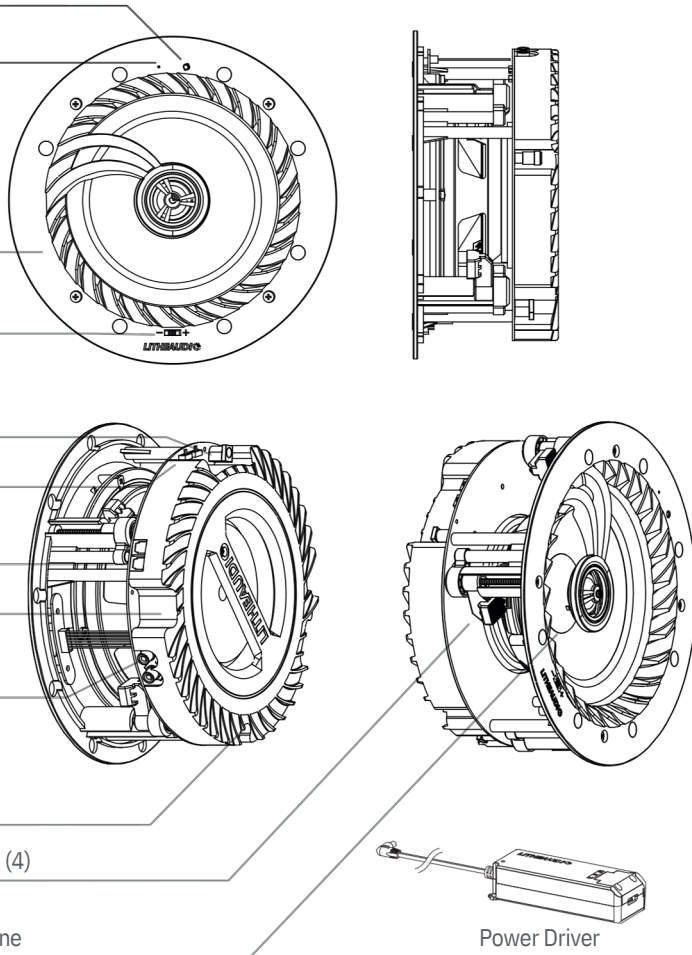
Speaker output

R+ (Red) R- (Black)

Dog leg easy install xings (4)

6.5" (165mm) Woofer cone

Power Driver



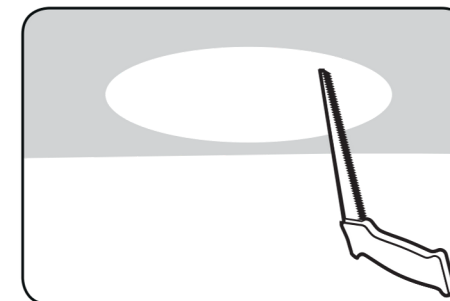
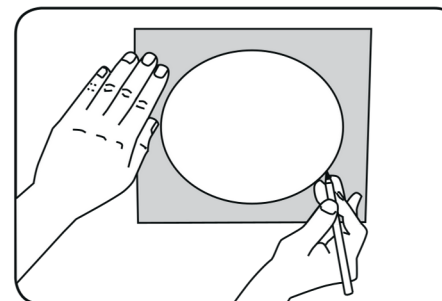
In built over voltage, under voltage, over temperature, and short circuit protection, if there is an electrical fault, the power supply to the ampli er will cut o automatically and restart when the speaker has stabilised.

LITHEAUDIO
BLUETOOTH CEILING SPEAKER

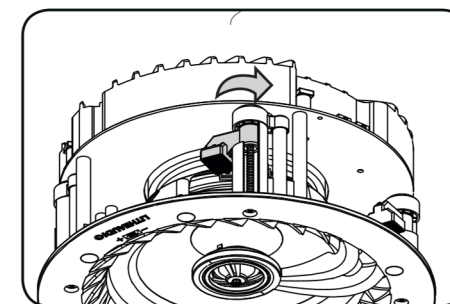
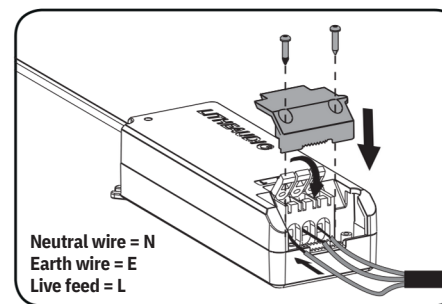
INSTALLATION

IMPORTANT: BEFORE COMMENCING ANY ELECTRICAL WORK ENSURE THE SUPPLY IS SWITCHED OFF AT THE MAINS. IF YOU ARE UNSURE HOW TO FIT SEEK HELP FROM A PROFESSIONAL ELECTRICIAN/AV INSTALLER

1. Mark out the position of the speaker using a, 2. Drill a pilot hole and cut the speaker hole using tape measure and mark using a pencil with the a cutting saw. **Take caution when template supplied. Check using a stud nder to cutting to keep ngers away from cutting blade and wear protective eyewear.**



3. Connect a 110V/240V feed into the Power 4. Insert speaker into the ceiling then using a Driver. Check Live, Neutral and Earth cables are screwdriver lock the 4 dog leg xings to secure in correct terminals. Use xing holes to screw to the speaker in place, do not over tighten. joists. Ensure cables are tight and cover is in place. Attach the magnetic grille to the speaker front.



PAINTING THE SPEAKER GRILLE

Do not paint the speaker grilles whilst attached to the speaker. Lithe Audio reccomends spray painting using 5 parts thinning agent to 1 part paint. Spray thinly to ensure speaker cover grille holes are not blocked as this will e ect the sound quality of the speakers.

INSTALLATIONS IN FIRE-RATED CEILINGS

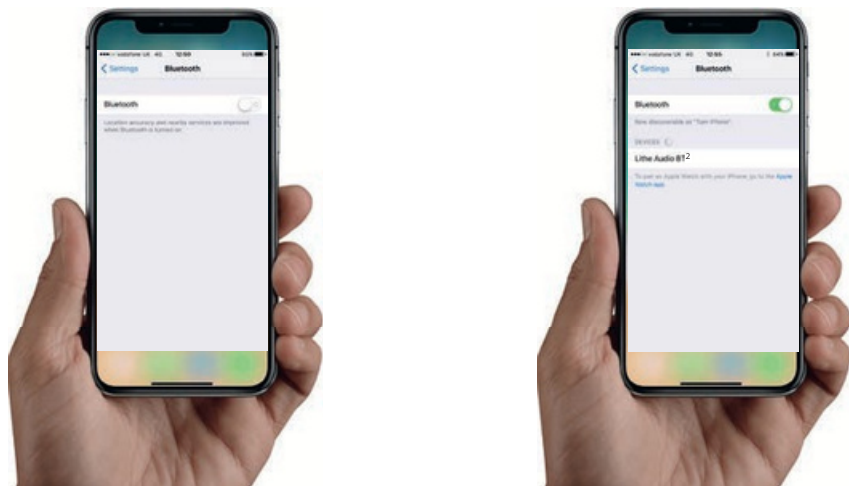
If you plan to mount your speakers in a re-rated ceiling, you should purchase a re hood for the speaker. Visit www.litheaudio.com for more information and recommended hoods.

SETUP AND PAIRING

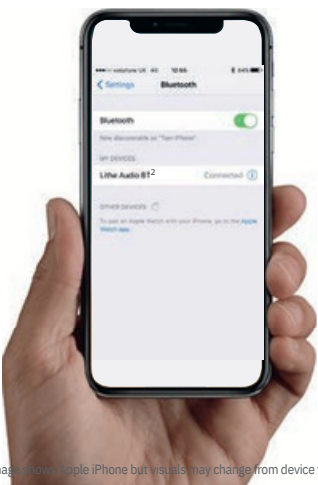
NOTE: ENSURE THE BLUETOOTH WIRELESS SPEAKER IS CONNECTED TO THE POWER SUPPLY AND TURNED ON.

The Led indicator will flash Blue when ready to pair, turn solid Blue whilst the device is connected to the speaker and music is playing

1. Open the setting menu and 2. Turn on Bluetooth select Bluetooth and search devices



3. Click Lithe Audio BT2 to connect and pair to the speaker.



4. Open your phone camera and scan the below QR code to download the Setup App to change speaker name or add a pin:



BLUETOOTH SETUP APP



Do you have multiple Bluetooth speakers in your home? Use the Lithe Audio setup App to identify each speaker easily, by giving each zone a unique name and password. Configure the speaker to work with Amazon Alexa, Google home or TV's wirelessly. For more information visit:

www.litheaudio.com/bluetooth-5-setup-app.html

HARD WIRED INPUT - RCA INPUT

To connect other devices that may not have a Bluetooth connection (such as Turn tables, CD players, mp4 player or mini-discs!)

RCA CONNECTION: To play music via speaker RCA connection connect an RCA cable to the speaker and play through your device. Ensure ALL Bluetooth connections are turned off to be able to play through the speaker. The LED will turn green when playing using RCA.

PLAYBACK MODES

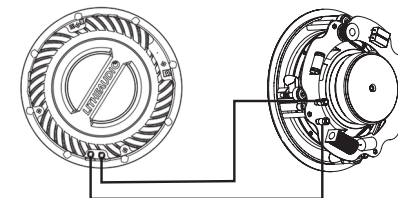
To cycle between the playback modes press the 'Connection Button' under the grill to change the mode between them.

1. AUTOMATIC MODE: (Flashing Blue) RCA is priority, then Bluetooth then Optical.
2. BLUETOOTH ONLY MODE: (Flashing Blue): RCA and Optical are disabled
3. RCA ONLY MODE: (Flashing Green): Bluetooth and Optical are disabled
4. OPTICAL MODE: (Solid Blue): Bluetooth and RCA are disabled.

ADDITIONAL SPEAKER - OPTIONAL

PLEASE NOTE: LBT1 DOES NOT INCLUDE PASSIVE SPEAKER

The Lithe Audio Master Bluetooth ceiling speaker is able to connect to and power an additional passive speaker via the speaker output (+/-). Use wire cutters to strip the ends of the speaker cable (if required).



This setup is ideal for Kitchen diners or larger rooms where you want a true stereo setup.

LITHEAUDIO

2 YEAR GUARANTEE

This is a UK Guarantee.

For global warranty
information contact your
local distributor.

This Ceiling Speaker is of excellent quality and construction. However, if any defects in materials or workmanship do appear during the guarantee period, we will, at our discretion, either repair or replace the defective parts, free of charge, subject to the terms and conditions of our Guarantee shown below.

This Guarantee covers both parts and labour. Carriage is not included.

This Guarantee provides benefits which are additional to, and do not affect, your statutory rights. This Guarantee does not cover the cost of returning the product to the dealer from whom it was purchased or to ourselves. This Guarantee applies only to products sold and located in mainland Great Britain. It does not cover liability in respect of or replacement of plugs, cables or fuses and also does not cover defects due to:

- Failure to use or maintain product in accordance with Lithe Audio instructions.
- The product being connected to an unsuitable electricity supply.
- Accidental damage to or abuse or misuse of the product.
- Product modification, except by Lithe Audio or approved agent.
- Dismantling of or interference with the product.

Before returning any product under this Guarantee, please check that:

- You have followed the product instructions correctly.
- Your mains electricity supply is functional.
- The defect is not due to a blown fuse.

If you wish to claim under this guarantee you should:

- Send the product, postage or carriage paid, to the dealer from whom it was purchased or to Lithe Audio direct.
- Ensure that the product is clean and packed carefully (preferably in its original carton).
- Enclose details of your name, address and telephone number and when and where the product was purchased, together with proof of purchase (e.g. a invoice or till receipt).
- Give exact details of the nature of the defect.

This Guarantee does not cover any other claims whatsoever, including, without limitation, any liability for incidental, indirect or consequential damage, nor does it cover any claims for conversion or modification or for the costs of repair carried out by any third party without the prior consent of Lithe Audio. If replacement parts are fitted to the product this will not extend the period of the Guarantee. For further advice contact the Lithe Audio customer services.



Lithe Audio products marked with the CE mark comply with the EC Low Voltage Directive: 73/23/EEC, Electromagnetic Compatibility Directive 89/336/EEC

WWW.LITHEAUDIO.COM

TEL: 01293 922 015 EMAIL: INFO@LITHEAUDIO.COM

