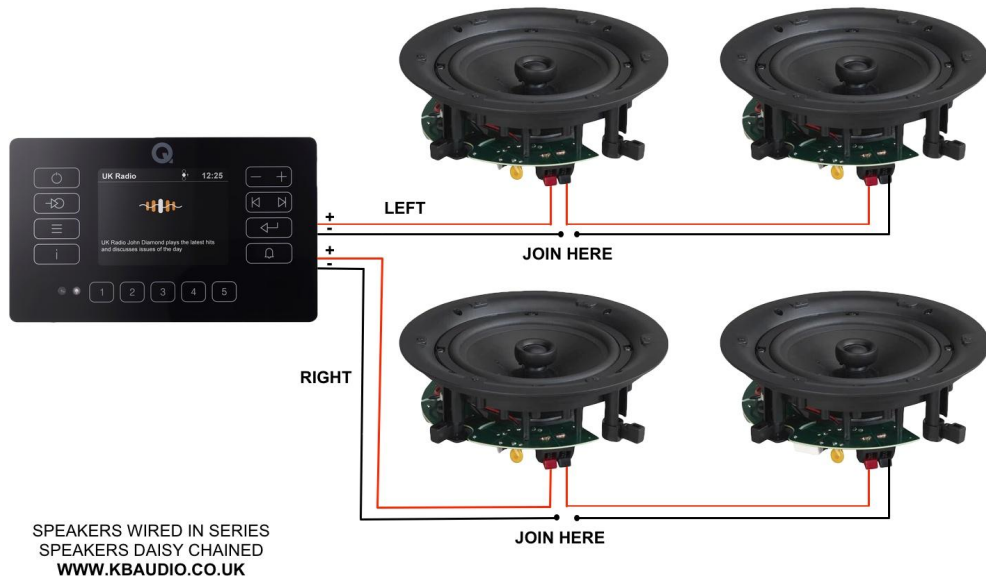


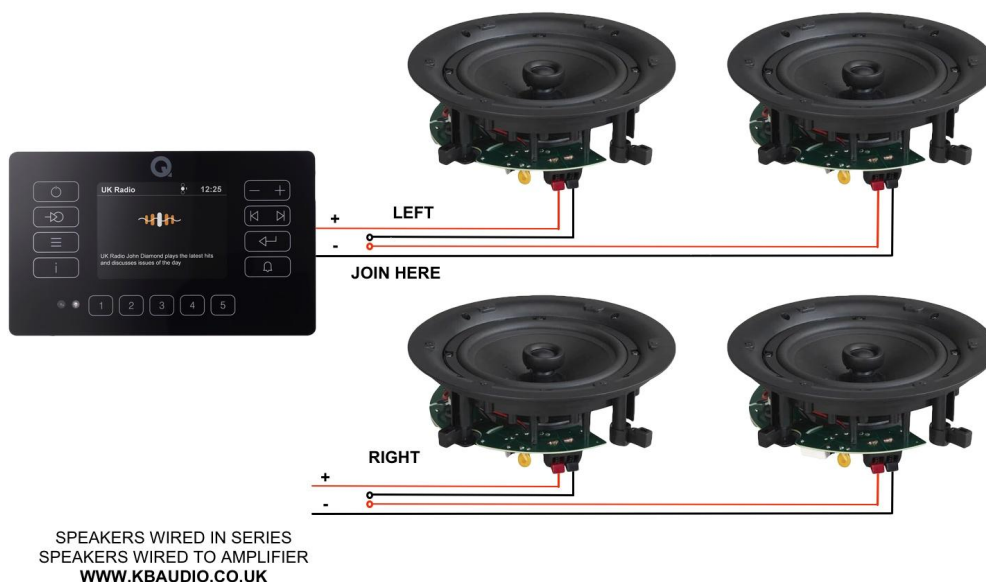
Q Acoustics E120 - 4 Speakers

When connecting four speakers to the Q Acoustics E120 they should be wired in series to prevent the amplifier from overloading.

SPEAKER WIRES DAISY CHAINED (RECOMMENDED)



SPEAKER WIRES TO EACH SPEAKER



SPEAKER SELECTOR SWITCH

You can use the QED WM17 series speaker switch to allow switching between the two pairs of speakers. Simply connect the amplifier to the input and each pair of speakers to the output.