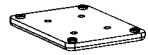
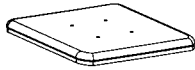


**ST300 Stand Assembly Instructions****1. Parts list**

Top plates x2



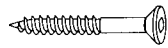
Bottom plates x2



Pillars x2



#5 Allen key x1

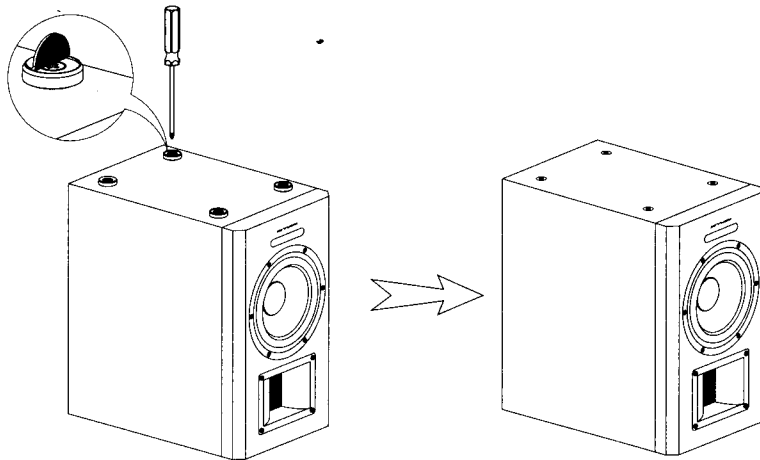
6x50mm  
Wood screws x18M6x30mm  
Machine screws x10

Rubber feet x10

1

**3. Secure speaker on stand**

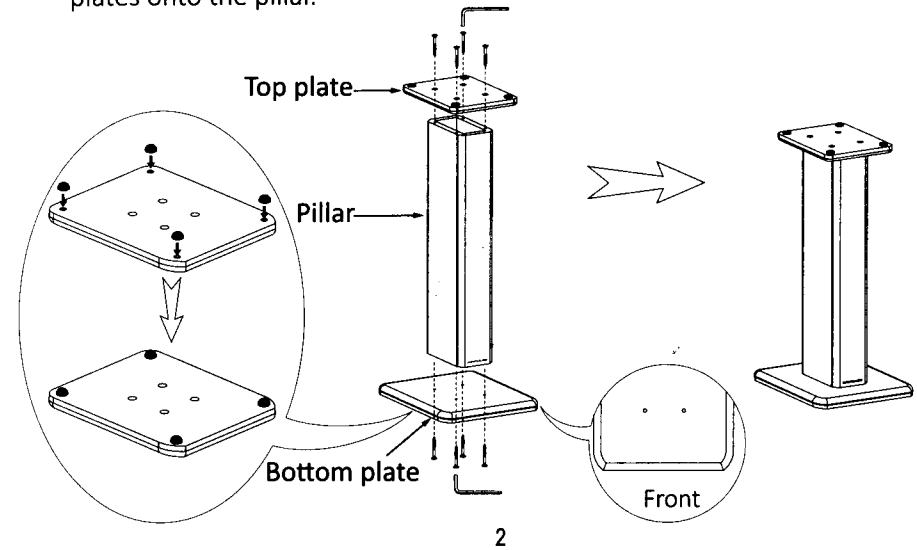
- A. Carefully remove the rubber feet on speaker. Use a screw driver to remove the metal feet.  
Please keep the metal feet and screws in a safe place for future use.



3

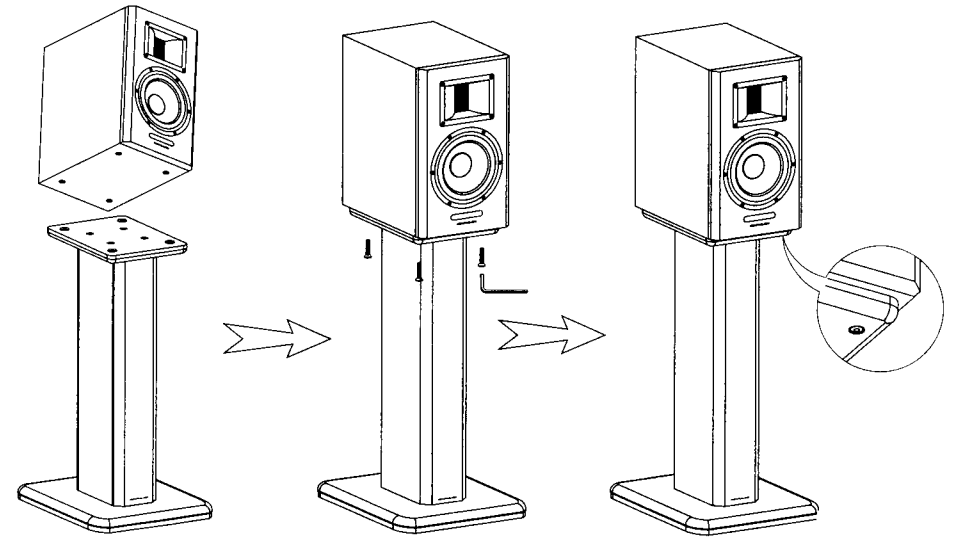
**2. Assembly**

- A. Paste rubber feet to the nut hole of bottom plate firmly.  
B. Use Allen key and the 6x50mm wood screws to lock the bottom and top plates onto the pillar.



2

- B. Place speaker on stand, making sure the holes on bottom of speaker align with the 4 holes on the top plate.  
Use Allen key and the M6x30mm machine screws to lock the speaker securely onto the stand.



4