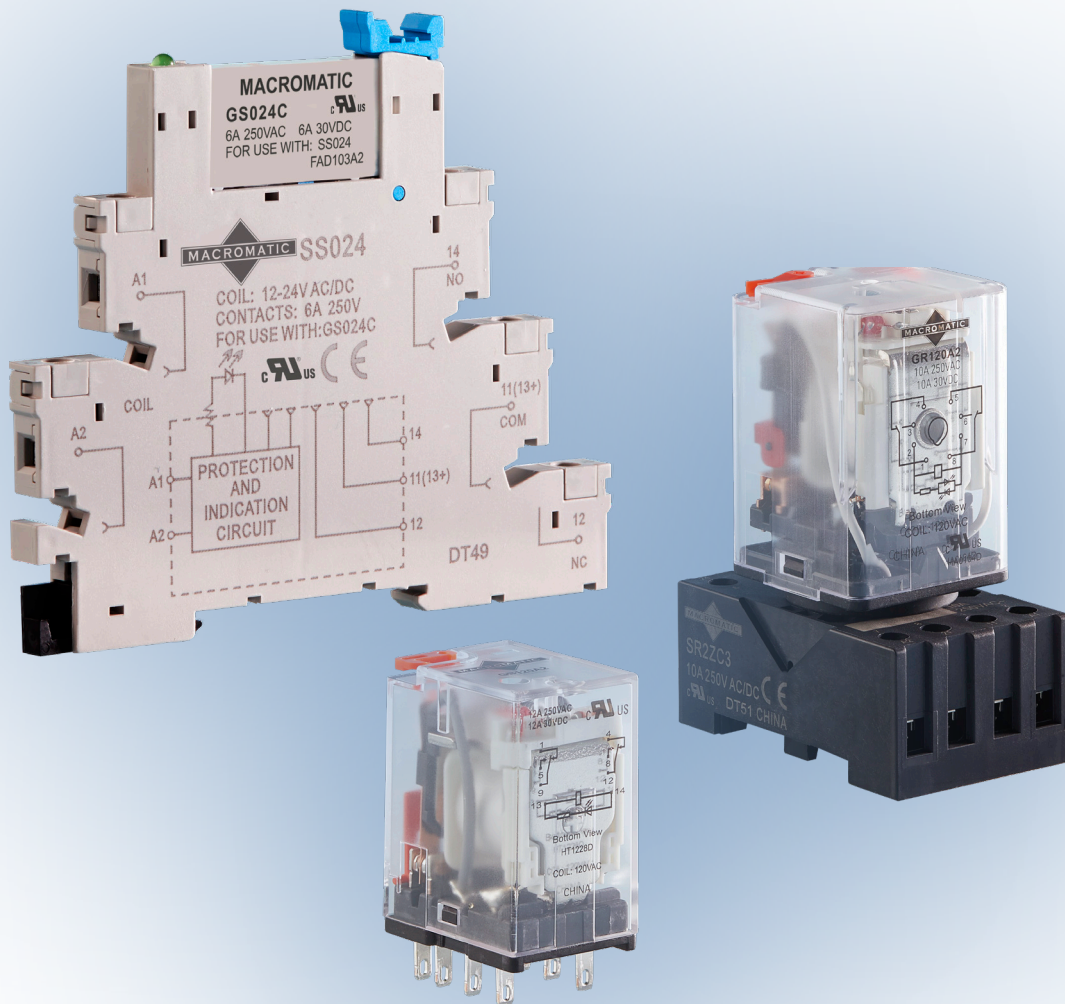




Better. By Design.

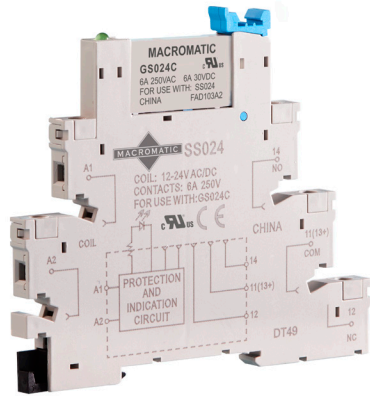
GENERAL PURPOSE RELAYS



CATALOG OF PRODUCTS

GENERAL PURPOSE SLIM RELAYS

GS SERIES



- ◆ Compact size (6 mm)
- ◆ 1 Form C contact
- ◆ Secure relay/socket retention with easy ejection
- ◆ High capacity 6 Amp rated
- ◆ Finger safe protection
- ◆ LED indication
- ◆ 10,000,000 mechanical operations
- ◆ RoHS compliant
- ◆ UL/cUL, CE approval



Better. By Design.

800.238.7474

WWW.MACROMATIC.COM

SALES@MACROMATIC.COM

Macromatic GS Series General Purpose Relays are designed for high density applications while still providing reliability and durability.

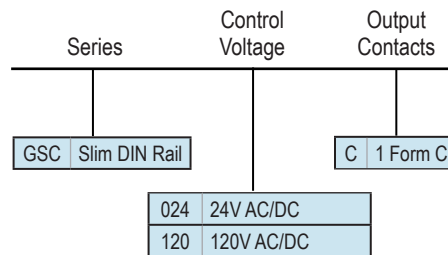
These slim relays (6 mm wide installed on socket) have contacts rated at 6 Amp 250V AC/ 30V DC. They are rated for 10,000,000 mechanical operations.

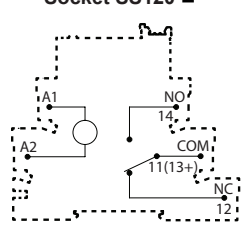
The GS Series relays carry UL/cUL Safety Approvals and are RoHS compliant.

Relay and socket installation provides finger protection, indication of power status and 1 Form C contact and is available in common control voltages.

TYPICAL MODEL CODE

BASE PART NUMBER



OUTPUT CONTACTS	CONTACT RATING	CONTROL VOLTAGE	CATALOG NUMBER	WIRING/SOCKET
1 FORM C	6 Amp	24V AC/DC	GSC024C ■	Socket SS024 ■ Socket SS120 ■  Bottom View DIAGRAM 817
	6 Amp	120V AC/DC	GSC120C ■	

- GSC024C is comprised of GS024C relay and SS024 socket. GSC120C is comprised of GS060C relay and SS120 socket. These relays and sockets are assembled as one unit and must be used together.

GENERAL PURPOSE SLIM RELAYS

GS SERIES

APPLICATION DATA

Load (Burden): Maximum 250 mW

Voltage Tolerance: $\pm 10\%$ nominal coil voltage

Output Contacts:

Arrangement 1C: 6A 250V AC/30V DC, 1500 VA/180 W

Wire Size: (1) 16-20 AWG, solid or stranded

Terminal Tightening: Recommended torque, 4.43 in-lb

Life:

10,000,000 mechanical operations

30,000 electrical operations

Temperature:

24V AC/DC: -40°C to 70°C (-40°F to 158°F)

120V AC/DC: -40°C to 55°C (-40°F to 131°F)

Unit Weight: Approximately 0.07 lb (32 g) relay + socket

Approvals: UL/cUL, CE, RoHS compliant

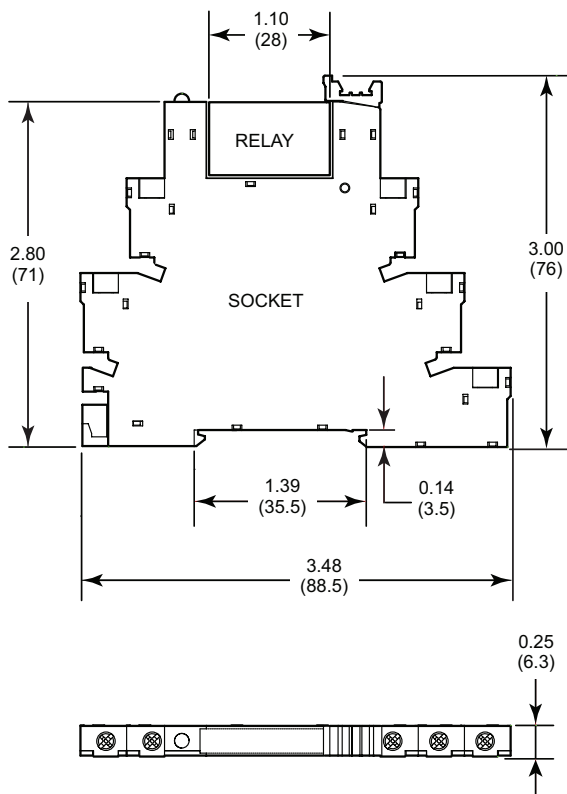


Typical GS Series Relays mounted on DIN-Rail



File Relay: #E236146
Socket: #E169693

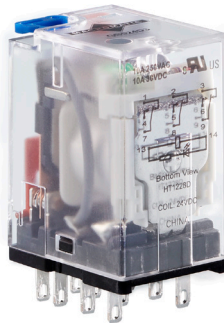
DIMENSIONS



Dimensions in Inches (Millimeters)

GENERAL PURPOSE BLADE RELAYS

GB SERIES



- ◆ High capacity 12 Amp rated
- ◆ LED indication
- ◆ Push-to-test button
- ◆ Transparent dust cover
- ◆ 2-pole, 3-pole and 4-pole configurations
- ◆ RoHS compliant
- ◆ UL/cUL, CE approval



Better. By Design.

800.238.7474

WWW.MACROMATIC.COM

SALES@MACROMATIC.COM

Macromatic GB Series General Purpose Relays provide high reliability and durability for applications requiring an economical solution.

These “ice cube” style relays are configured with Blade style terminals. They are rated for 20,000,000 mechanical operations. Even though compact in size, these relays provide up to 12 Amp contacts at various AC and DC coil voltage ratings.

Sockets for GB Series relays can be either DIN-rail or screw-mounted.

TYPICAL MODEL CODE

BASE PART NUMBER

Series	Control Voltage	Output Contacts
GB Blade Terminal	024D 24 V DC 120A 120V AC	2 2 Form C 3 3 Form C 4 4 Form C

OUTPUT CONTACTS	CONTACT RATING	CONTROL VOLTAGE	CATALOG NUMBER	WIRING/SOCKET
2 FORM C	12 Amp	24V DC	GB024D2	8-Blade Socket SB2ZC5 Bottom View DIAGRAM 818
	12 Amp	120V AC	GB120A2	
3 FORM C	10 Amp	24V DC	GB024D3	11-Blade Socket SB3ZC5 Bottom View DIAGRAM 819
	10 Amp	120V AC	GB120A3	
4 FORM C	6 Amp	24V DC	GB024D4	14-Blade Socket SB4ZC5 Bottom View DIAGRAM 822
	6 Amp	120V AC	GB120A4	

See page 8 for additional socket information.

GENERAL PURPOSE BLADE RELAYS

GB SERIES

APPLICATION DATA

Load (Burden):

DC: Approximately 1.1 W; AC: Approximately 1.5 VA

Voltage Maximum: 250V

Output Contacts:

- 2C: 12A 250V AC/30V DC 3000 VA/360 W
- 3C: 10A 250V AC/30V DC 2500 VA/300 W
- 4C: 6A 250V AC/30V DC 1500 VA/180 W

Life:

20,000,000 mechanical operations
100,000 electrical operations

Temperature: -40° C to 70° C (-40° to 158° F)

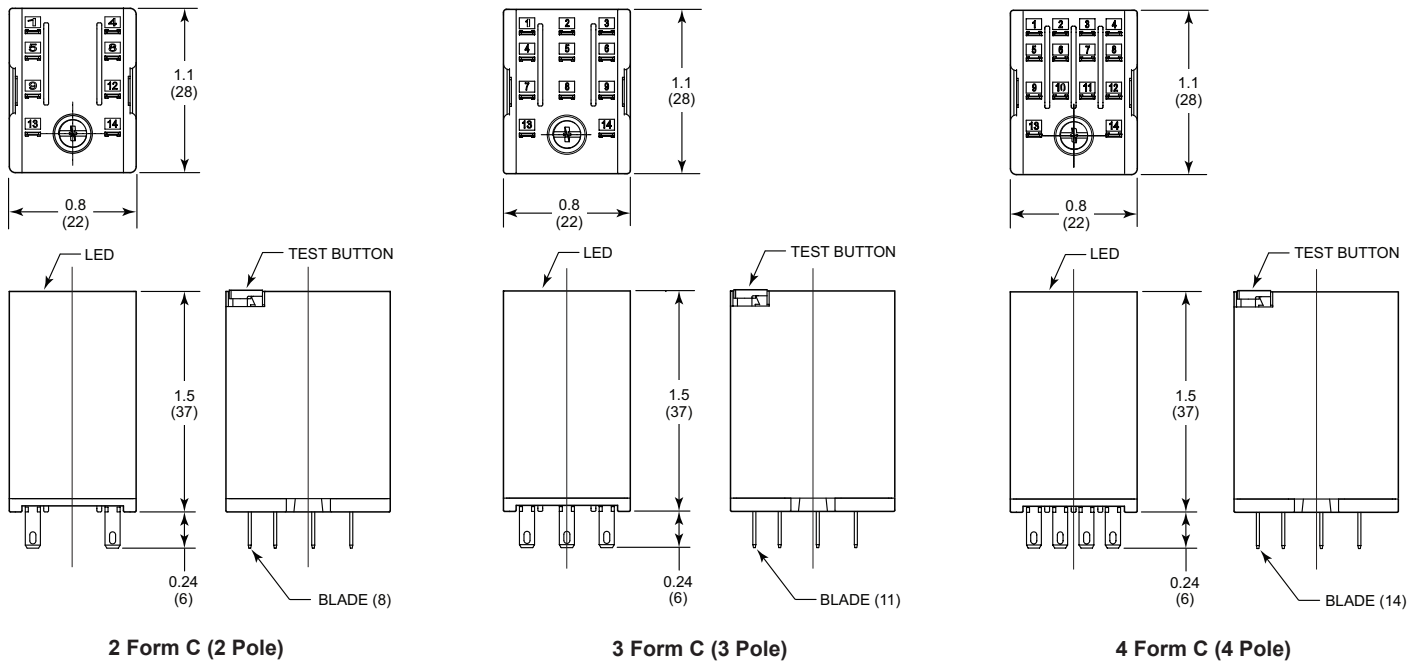
Unit Weight: Approximately 0.08 lb (36 g)

Approvals: UL/cUL, CE, RoHS compliant



Typical GB Series Relays mounted on sockets
(Sockets ordered separately)

DIMENSIONS



Dimensions in Inches (Millimeters)

GENERAL PURPOSE ROUND RELAYS

GR SERIES



- ◆ High Capacity 10 Amp rated
- ◆ LED indication
- ◆ Push-to-test button
- ◆ Transparent dust cover
- ◆ 2- or 3-pole configurations
- ◆ RoHS compliant
- ◆ UL/cUL, CE approval



Better. By Design.

800.238.7474

WWW.MACROMATIC.COM

SALES@MACROMATIC.COM

Macromatic GR Series General Purpose Relays provide high reliability and durability for applications requiring an economical solution.

These “cube style” relays are configured with Octal (Round) Style terminals and are rated for 10,000,000 mechanical operations. Even though compact in size, these relays provide up to 10 Amp contacts at various AC and DC coil voltage ratings.

Sockets for GR Series relays can be DIN-rail or screw-mounted.

TYPICAL MODEL CODE

BASE PART NUMBER		OPTIONS	
Leave blank if not selected		Leave blank if not selected	
Series	Control Voltage	Output Contacts	Options
GR	120A 120V AC 024D 24 V DC	2 2 Form C 3 3 Form C	T Omit Push-to-Test

OUTPUT CONTACTS	CONTACT RATING	CONTROL VOLTAGE	CATALOG NUMBER	WIRING/SOCKET
2 FORM C	10 Amp	24V DC	GR024D2 GR024D2T	8-Pin Octal Socket SR2ZC3 Bottom View DIAGRAM 820
	10 Amp	120V AC	GR120A2 GR120A2T	
3 FORM C	10 Amp	24V DC	GR024D3 GR024D3T	11-Pin Octal Socket SR3ZC3 Bottom View DIAGRAM 821
	10 Amp	120V AC	GR120A3 GR120A3T	

See page 9 for additional socket information

GENERAL PURPOSE ROUND RELAYS

GR SERIES

APPLICATION DATA

Load (Burden):

DC: approximately 1.4 W; AC: approximately 3.0 VA

Voltage Maximum: 250V

Output Contacts:

10A 250V AC/30V DC 2500 VA/300 W

Horsepower Rating,

1/3 HP 120V AC

1/3 HP 240V AC

1/2 HP 277V AC

Life:

10,000,000 mechanical operations

100,000 electrical operations

Temperature: -40° C to 55° C (-40° F to 131° F)

Unit Weight: Approximately 0.20 lb (90 g)

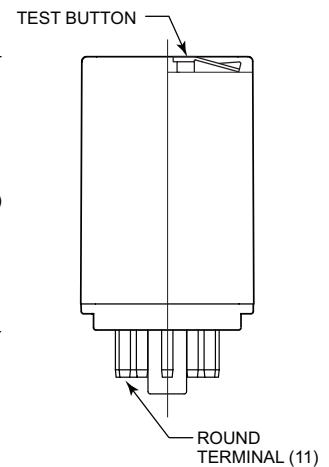
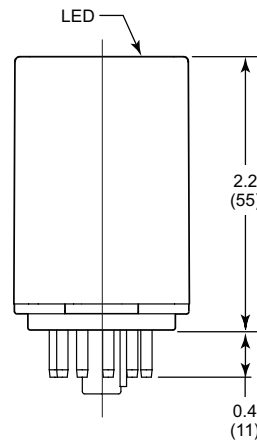
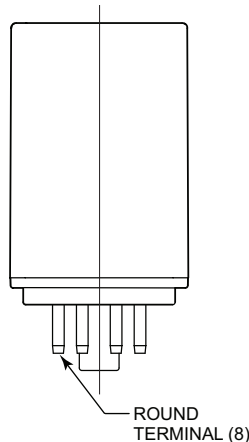
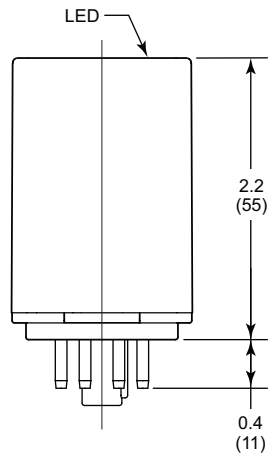
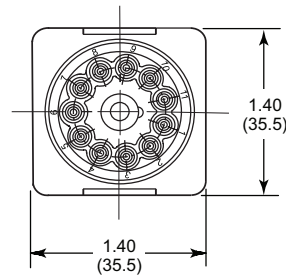
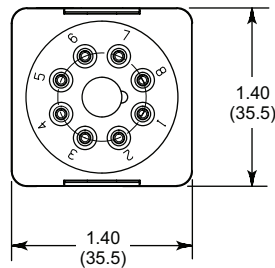
Approvals: UL/cUL, CE, RoHS compliant



Typical GR Series Relays on sockets
(Sockets ordered separately)



DIMENSIONS



2 Form C (2 Pole)

3 Form C (3 Pole)

Dimensions in Inches (Millimeters)

SOCKETS

SB3ZC5 11 Blade Terminal Sockets DIN-Rail or Screw Mounting



Electrical Ratings: 10A @ 250V

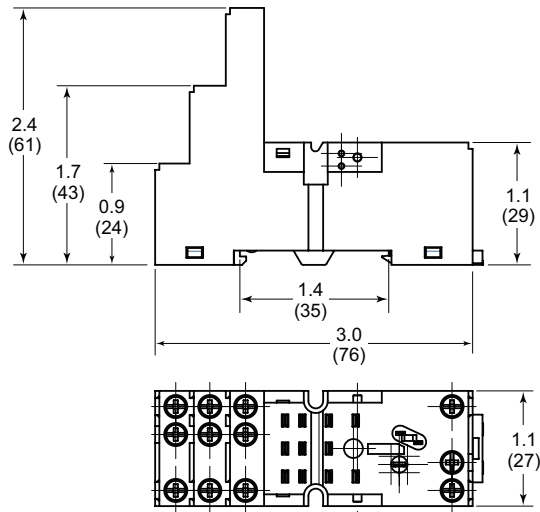
Wire Size:

- (1) 12-20 AWG, solid or stranded
- (2) 16-20 AWG, solid or stranded

Termination: Tighten terminal screws recommended torque of 5.31 in-lb.

Temperature: -40° C to 70° C (-40° F to 158° F)

Approximate weight: 0.16 lb (71g)



Dimensions in Inches (Millimeters)

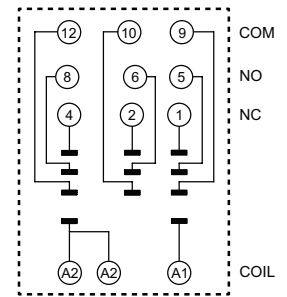


Diagram 372

Approvals:



SR2ZC3 Octal (Round) 8 Pin Sockets DIN-Rail or Screw Mounting



Electrical Ratings: 10A @ 250V

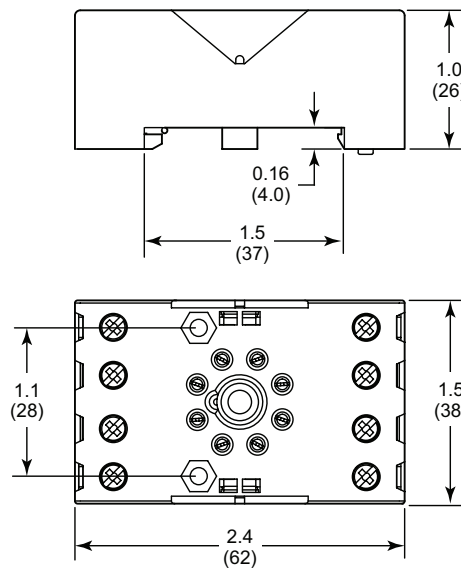
Wire Size:

- (1) 12-20 AWG, solid or stranded
- (2) 16-20 AWG, solid or stranded

Termination: Tighten terminal screws to recommended torque of 5.31 in-lb.

Temperature: -40° C to 70° C (-40° F to 158° F)

Approximate weight: 0.11 lb (49g)



Dimensions in Inches (Millimeters)

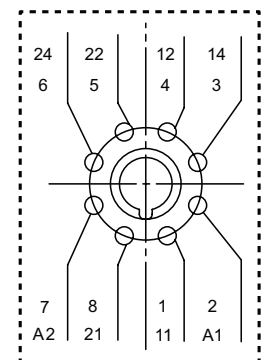


Diagram 373

Approvals:



SOCKETS

SR3ZC3 Octal (Round) 11 Pin Sockets DIN-Rail or Screw Mounting



Electrical Ratings:

10A @ 250V

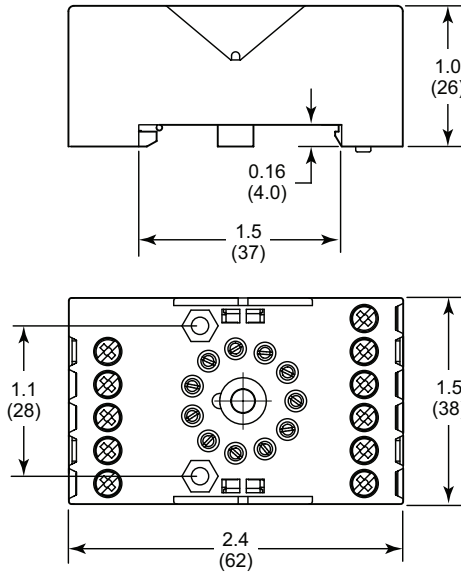
Wire Size:

- (1) 12-20 AWG, solid or stranded
- (2) 16-20 AWG, solid or stranded

Termination: Tighten terminal screws to recommended torque of 5.31 in-lb.

Temperature: -40° C to 70° C (-40° F to 158° F)

Approximate weight: 0.12 lb (56g)



Dimensions in Inches (Millimeters)

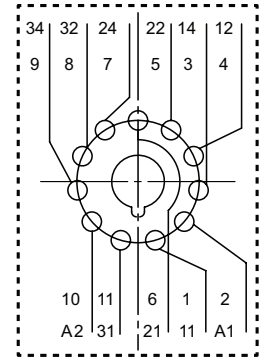


Diagram 374

Approvals:



18F-2Z-C5 8 Blade Terminal Sockets DIN-Rail or Screw Mounting



Electrical Ratings: 12A @ 250V

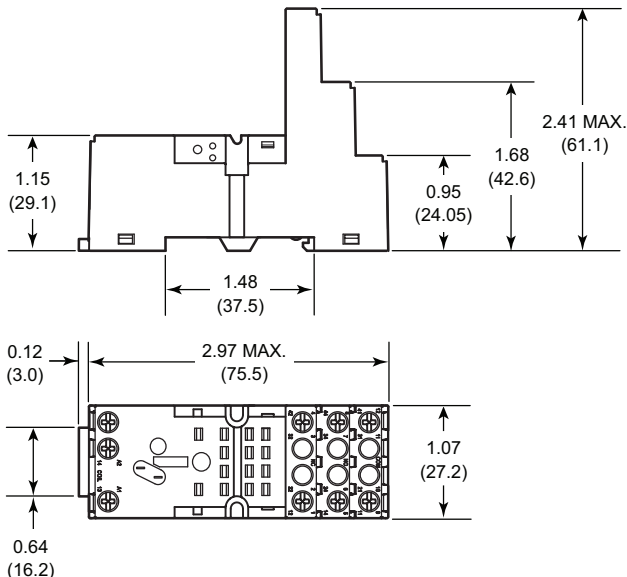
Wiring: Solid or stranded, 14-20 AWG

Termination: Plus-minus screw (M3x8) with pressure plate. Tighten to recommended torque of 5.2 in-lb (maximum 6.9 in-lb)

Temperature:

Operating, -25° C to 70° C (-13° F to 158° F);
Storage, -40° C to 85° C (-40° F to 185° F)

Approximate Weight: 0.13 lb (59 g)



Dimensions in Inches (Millimeters)

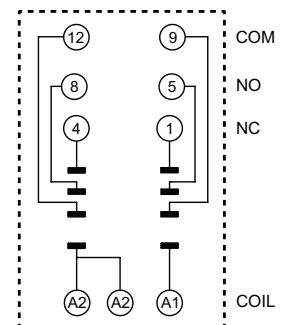


Diagram 375

Approvals:



SOCKETS

18F-4Z-C5 14 Blade Terminal Sockets DIN-Rail or Screw Mounting



Electrical Ratings: 10A @ 250V

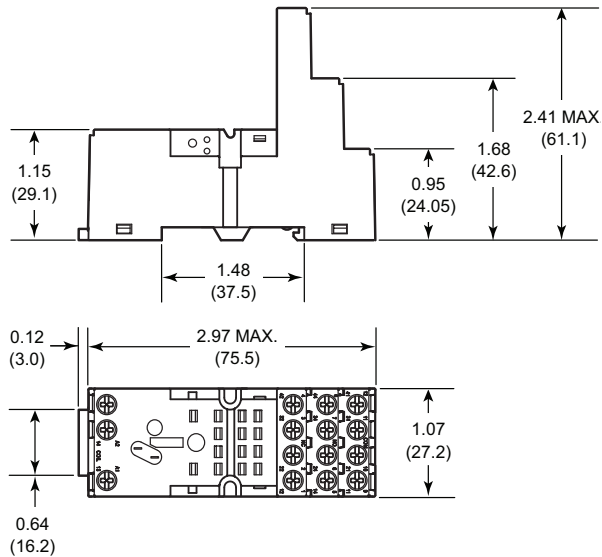
Wiring: Solid or stranded, 14-20 AWG

Termination: Plus-minus screw (M3x8) with pressure plate. Tighten to recommended torque of 5.2 in-lb (maximum 6.9 in-lb)

Temperature:

Operating, -25° C to 70° C (-13° F to 158° F);
Storage, -40° C to 85° C (-40° F to 185° F)

Approximate Weight: 0.14 lb (65 g)



Dimensions in Inches (Millimeters)

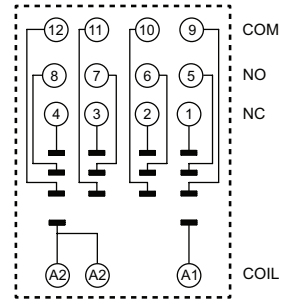


Diagram 376

Approvals:



File #250675

18F-2Z-C1 8 Blade Terminal Sockets DIN-Rail or Screw Mounting



Electrical Ratings: 10A @ 250V

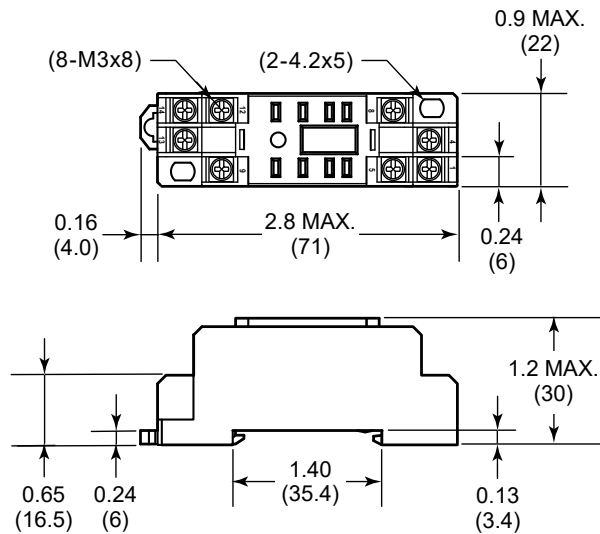
Wiring: Solid or stranded, 14-30 AWG

Termination: Plus-minus screw (M3x8) with pressure plate. Tighten to recommended torque of 5.2 in-lb (maximum 6.9 in-lb)

Temperature:

Operating, -25° C to 70° C (-13° F to 158° F);
Storage, -40° C to 85° C (-40° F to 185° F)

Approximate Weight: 0.07 lb (32 g)



Dimensions in Inches (Millimeters)

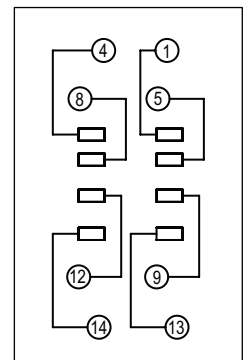


Diagram 369

If using retainer clips, only *one* is recommended opposite the Push-to-Test button.

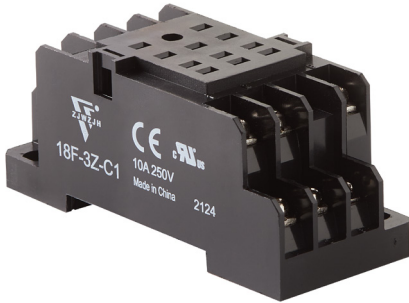
Approvals:



File #250675

SOCKETS

18F-3Z-C1 11 Blade Terminal Sockets DIN-Rail or Screw Mounting



Electrical Ratings: 10A @ 250V

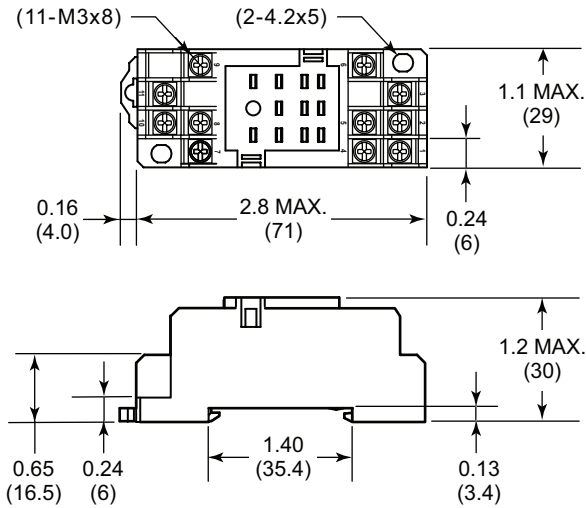
Wiring: Solid or stranded, 14-30 AWG

Termination: Plus-minus screw (M3x8) with pressure plate. Tighten to recommended torque of 5.2 in-lb (maximum 6.9 in-lb)

Temperature:

Operating, -25° C to 70° C (-13° F to 158° F);
Storage, -40° C to 85° C (-40° F to 185° F)

Approximate Weight: 0.10 lb (45 g)



Dimensions in Inches (Millimeters)

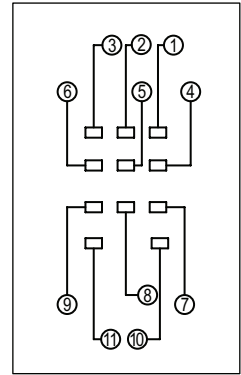


Diagram 370

If using retainer clips, only *one* is recommended opposite the Push-to-Test button.

Approvals:



File #250675

18F-4Z-C1 14 Blade Terminal Sockets DIN-Rail or Screw Mounting



Electrical Ratings: 10A @ 250V

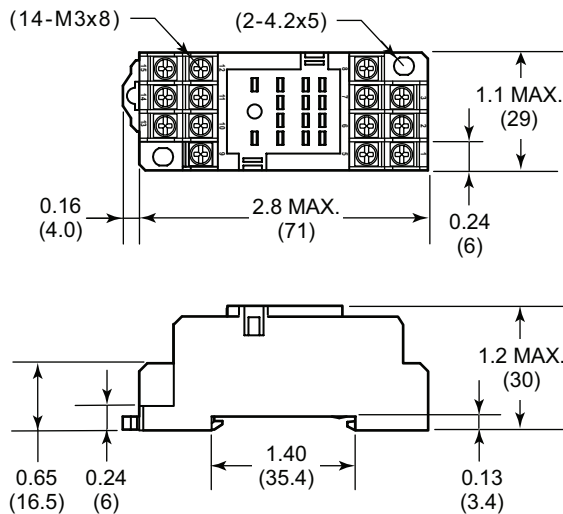
Wiring: Solid or stranded, 14-30 AWG

Termination: Plus-minus screw (M3x8) with pressure plate. Tighten to recommended torque of 5.2 in-lb (maximum 6.9 in-lb)

Temperature:

Operating, -25° C to 70° C (-13° F to 158° F);
Storage, -40° C to 85° C (-40° F to 185° F)

Approximate weight: 0.11 lb (50 g)



Dimensions in Inches (Millimeters)

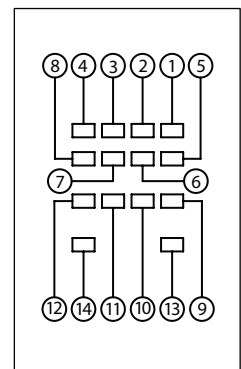


Diagram 371

If using retainer clips, only *one* is recommended opposite the Push-to-Test button.

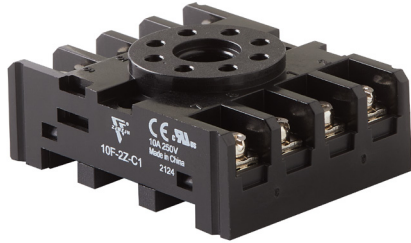
Approvals:



File #250675

SOCKETS

10F-2Z-C1 Octal (Round) 8 Pin Sockets DIN-Rail or Screw Mounting



Electrical Ratings: 10A @ 250V

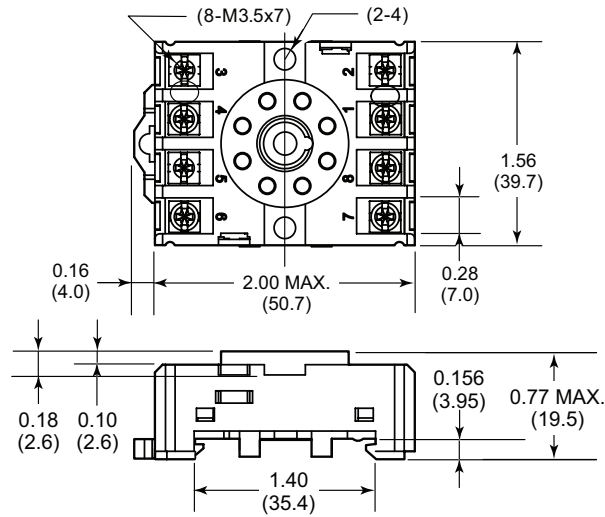
Wiring: 1 or 2, solid or stranded, 16-30 AWG

Termination: Plus-minus screw (M3.5x7) with pressure plate. Tighten to recommended torque of 5.2 in-lb (maximum 6.9 in-lb)

Temperature:

Operating, -25° C to 70° C (-13° F to 158° F);
Storage, -40° C to 85° C (-40° F to 185° F)

Approximate Weight: 0.08 lb (36 g)



Dimensions in Inches (Millimeters)

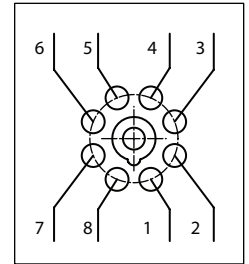


Diagram 367

Approvals:



File #250675

10F-3Z-C1 Octal (Round) 11 Pin Sockets DIN-Rail or Screw Mounting



Electrical Ratings: 10A @ 250V

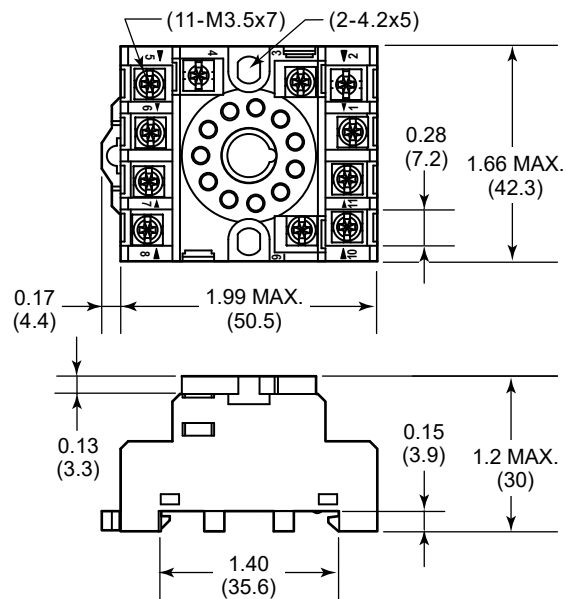
Wiring: 1 or 2, solid or stranded, 16-30 AWG

Termination: Plus-minus screw (M3.5-7) with pressure plate. Tighten to recommended torque of 5.2 in-lb (maximum 6.9 in-lb)

Temperature:

Operating, -25° C to 70° C (-13° F to 158° F);
Storage, -40° C to 85° C (-40° F to 185° F)

Approximate Weight: 0.11 lb (50 g)



Dimensions in Inches (Millimeters)

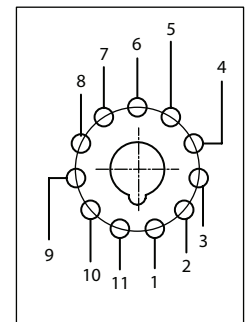


Diagram 368

Approvals:



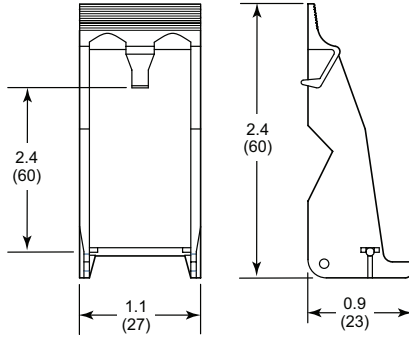
File #250675

ACCESSORIES

GB-PR Retainer (Plastic) For use with GB Series Blade Relay/Socket



GB-PR Retainer
(Ordered Separately)

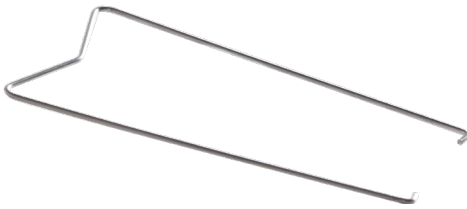


Dimensions in Inches (Millimeters)



GB-PR Retainer with
GB Series Relay on Socket

GR-MR Retainer (Metal) For use with GR Series Octal Relay/Socket



GR-MR Retainer
(Ordered Separately)

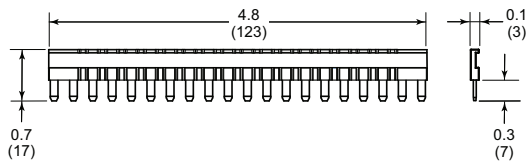


GR-MR Retainer with
GR Series Relay on Socket

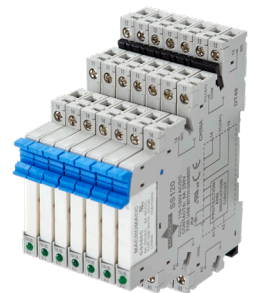
41F-J1B Jumper For use with GSC Series Slim Relay/Socket



41F-J1B Jumper

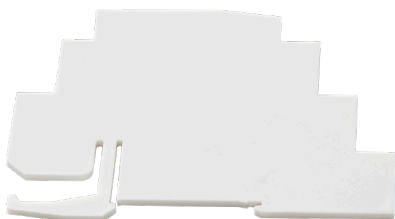


Dimensions in Inches (Millimeters)

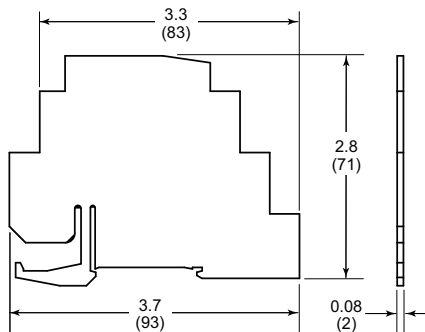


Jumper inserted
on relay stack

41F-S Separator For use with GSC Series Slim Relay/Socket



41F-S Separator



Dimensions in Inches (Millimeters)



Separator inserted
on relay stack

Your source for quality, innovative industrial control solutions

Macromatic Industrial Controls, Inc. designs and manufactures control, monitoring and protection products to manage your electrical processes and to protect your equipment from damaging fault conditions.

With a 45-year legacy of high-quality products and outstanding customer service, we continue to introduce innovative solutions that help our customers be more productive and efficient.

Our design and application experience makes it easy to find cost-effective advantages for your applications.

We continuously improve our products by integrating new technology and improving our manufacturing processes. The result is innovative reliable products, delivered on-time, every time.

www.macromatic.com

800.238.7474



Better. By Design.

800.238.7474 | www.macromatic.com | sales@macromatic.com

Macromatic Industrial Controls Family of Products

MACROMATIC INDUSTRIAL CONTROLS

MACROMATIC
Better. By Design.

ALTERNATING RELAYS

800.238.7474 | WWW.MACROMATIC.COM | SALES@MACROMATIC.COM

CATALOG OF PRODUCTS

MACROMATIC
Better. By Design.

CURRENT SENSING RELAYS

800.238.7474 | WWW.MACROMATIC.COM | SALES@MACROMATIC.COM

CATALOG OF PRODUCTS

MACROMATIC
Better. By Design.

INTRINSICALLY SAFE PRODUCTS

MACROMATIC INDUSTRIAL CONTROLS, INC. | 800.238.7474 | WWW.MACROMATIC.COM | SALES@MACROMATIC.COM

CATALOG OF PRODUCTS

MACROMATIC
Better. By Design.

LIQUID LEVEL CONTROL RELAYS

800.238.7474 | WWW.MACROMATIC.COM | SALES@MACROMATIC.COM

CATALOG OF PRODUCTS

MACROMATIC
Better. By Design.

THREE-PHASE MONITOR RELAYS

800.238.7474 | WWW.MACROMATIC.COM | SALES@MACROMATIC.COM

CATALOG OF PRODUCTS

MACROMATIC
Better. By Design.

SEAL LEAKAGE & OVER TEMPERATURE RELAYS

800.238.7474 | WWW.MACROMATIC.COM | SALES@MACROMATIC.COM

CATALOG OF PRODUCTS

MACROMATIC
Better. By Design.

TIME DELAY RELAYS

800.238.7474 | WWW.MACROMATIC.COM | SALES@MACROMATIC.COM

CATALOG OF PRODUCTS

MACROMATIC
Better. By Design.

VOLTAGE MONITOR RELAYS

800.238.7474 | WWW.MACROMATIC.COM | SALES@MACROMATIC.COM

CATALOG OF PRODUCTS

MACROMATIC
Better. By Design.

PERCENTAGE TIMERS

800.238.7474 | WWW.MACROMATIC.COM | SALES@MACROMATIC.COM

CATALOG OF PRODUCTS



Better. By Design.

MACROMATIC
Better. By Design.

GENERAL PURPOSE RELAYS

MACROMATIC INDUSTRIAL CONTROLS, INC. | 800.238.7474 | WWW.MACROMATIC.COM | SALES@MACROMATIC.COM

CATALOG OF PRODUCTS

800.238.7474 | WWW.MACROMATIC.COM | SALES@MACROMATIC.COM

LCTGPXXAEN0922

Specifications subject to change without notice | Macromatic is a registered trademark of Macromatic Industrial Controls, Inc.