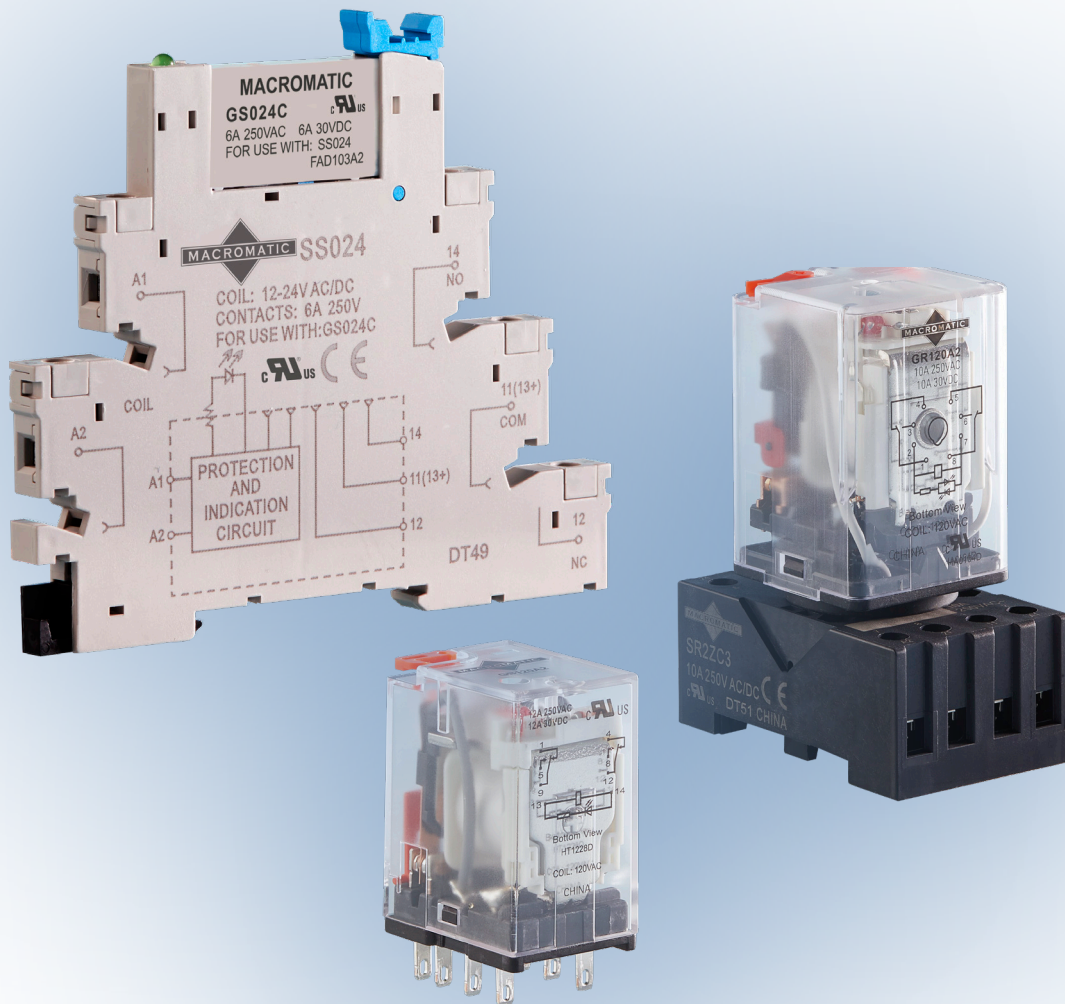




Better. By Design.

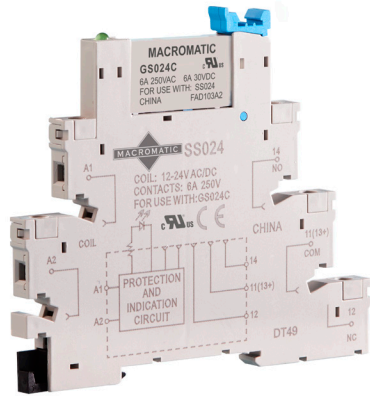
GENERAL PURPOSE RELAYS



CATALOG OF PRODUCTS

GENERAL PURPOSE SLIM RELAYS

GS SERIES



- ◆ Compact size (6 mm)
- ◆ 1 Form C contact
- ◆ Secure relay/socket retention with easy ejection
- ◆ High capacity 6 Amp rated
- ◆ Finger safe protection
- ◆ LED indication
- ◆ 10,000,000 mechanical operations
- ◆ RoHS compliant
- ◆ UL/cUL, CE approval



Better. By Design.

800.238.7474

WWW.MACROMATIC.COM

SALES@MACROMATIC.COM

Macromatic GS Series General Purpose Relays are designed for high density applications while still providing reliability and durability.

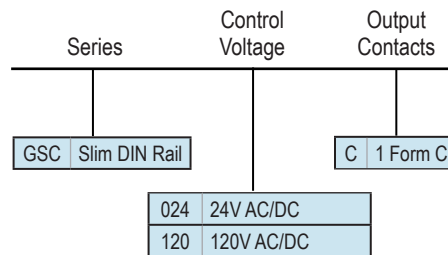
These slim relays (6 mm wide installed on socket) have contacts rated at 6 Amp 250V AC/ 30V DC. They are rated for 10,000,000 mechanical operations.

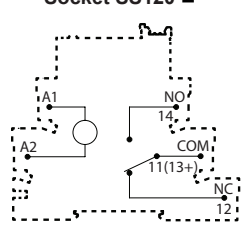
The GS Series relays carry UL/cUL Safety Approvals and are RoHS compliant.

Relay and socket installation provides finger protection, indication of power status and 1 Form C contact and is available in common control voltages.

TYPICAL MODEL CODE

BASE PART NUMBER



| OUTPUT CONTACTS | CONTACT RATING | CONTROL VOLTAGE | CATALOG NUMBER | WIRING/SOCKET |
|-----------------|----------------|-----------------|----------------|--|
| 1 FORM C | 6 Amp | 24V AC/DC | GSC024C ■ | Socket SS024 ■ Socket SS120 ■  Bottom View DIAGRAM 817 |
| | 6 Amp | 120V AC/DC | GSC120C ■ | |

- GSC024C is comprised of GS024C relay and SS024 socket. GSC120C is comprised of GS060C relay and SS120 socket. These relays and sockets are assembled as one unit and must be used together.

GENERAL PURPOSE SLIM RELAYS

GS SERIES

APPLICATION DATA

Load (Burden): Maximum 250 mW

Voltage Tolerance: $\pm 10\%$ nominal coil voltage

Output Contacts:

Arrangement 1C: 6A 250V AC/30V DC, 1500 VA/180 W

Wire Size: (1) 16-20 AWG, solid or stranded

Terminal Tightening: Recommended torque, 4.43 in-lb

Life:

10,000,000 mechanical operations

30,000 electrical operations

Temperature:

24V AC/DC: -40°C to 70°C (-40°F to 158°F)

120V AC/DC: -40°C to 55°C (-40°F to 131°F)

Unit Weight: Approximately 0.07 lb (32 g) relay + socket

Safety Approvals: UL/cUL, CE, RoHS compliant

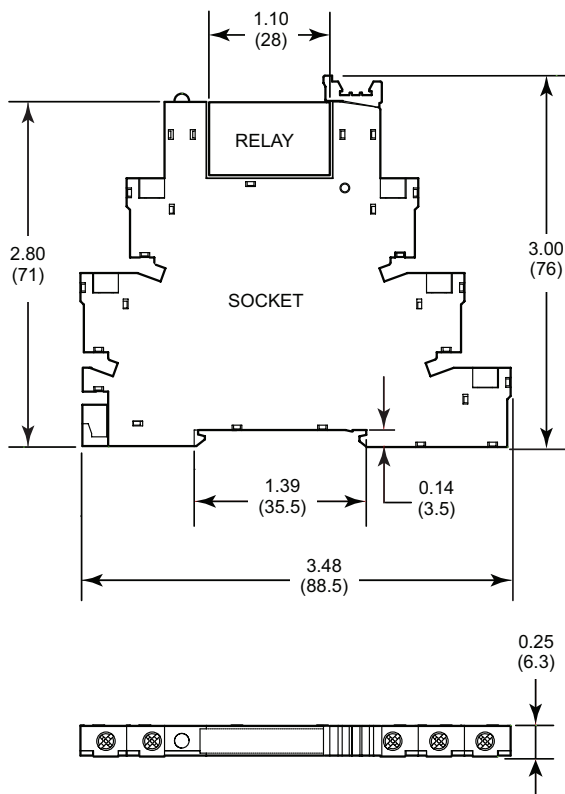


GSC120C units (comprised of GS060C relays and SS120 sockets) mounted on DIN-rail



File Relay: #E236146
Socket: #E169693

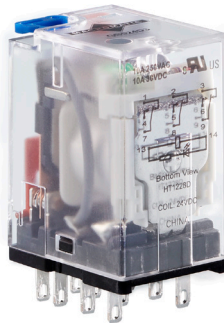
DIMENSIONS



Dimensions in Inches (Millimeters)

GENERAL PURPOSE BLADE RELAYS

GB SERIES



- ◆ High capacity 12 Amp rated
- ◆ LED indication
- ◆ Push-to-test button
- ◆ Transparent dust cover
- ◆ 2-pole, 3-pole and 4-pole configurations
- ◆ RoHS compliant
- ◆ UL/cUL, CE approval



Better. By Design.

800.238.7474

WWW.MACROMATIC.COM

SALES@MACROMATIC.COM

Macromatic GB Series General Purpose Relays provide high reliability and durability for applications requiring an economical solution.

These “ice cube” style relays are configured with Blade style terminals. They are rated for 20,000,000 mechanical operations. Even though compact in size, these relays provide up to 12 Amp contacts at various AC and DC coil voltage ratings.

Sockets for GB Series relays can be either DIN-rail or screw-mounted.

TYPICAL MODEL CODE

| BASE PART NUMBER | |
|-------------------|--|
| Series | Control Voltage |
| GB Blade Terminal | 024D 24 V DC 120A 120V AC |
| Output Contacts | 2 2 Form C 3 3 Form C 4 4 Form C |

| OUTPUT CONTACTS | CONTACT RATING | CONTROL VOLTAGE | CATALOG NUMBER | WIRING/SOCKET |
|-----------------|----------------|-----------------|----------------|---|
| 2 FORM C | 12 Amp | 24V DC | GB024D2 | 8-Blade Socket SB2ZC5 Bottom View DIAGRAM 818 |
| | 12 Amp | 120V AC | GB120A2 | |
| 3 FORM C | 10 Amp | 24V DC | GB024D3 | 11-Blade Socket SB3ZC5 Bottom View DIAGRAM 819 |
| | 10 Amp | 120V AC | GB120A3 | |
| 4 FORM C | 6 Amp | 24V DC | GB024D4 | 14-Blade Socket SB4ZC5 Bottom View DIAGRAM 822 |
| | 6 Amp | 120V AC | GB120A4 | |

See page 8 for additional socket information.

GENERAL PURPOSE BLADE RELAYS

GB SERIES

APPLICATION DATA

Load (Burden):

DC: Approximately 1.1 W; AC: Approximately 1.5 VA

Voltage Maximum: 250V

Output Contacts:

- 2C: 12A 250V AC/30V DC 3000 VA/360 W
- 3C: 10A 250V AC/30V DC 2500 VA/300 W
- 4C: 6A 250V AC/30V DC 1500 VA/180 W

Wire Size:

- (1) 12-20 AWG, solid or stranded
- (2) 16-20 AWG, solid or stranded

Life:

- 20,000,000 mechanical operations
- 100,000 electrical operations

Temperature: -40° C to 70° C (-40° to 158° F)

Unit Weight: Approximately 0.08 lb (36 g)

Safety Approvals: UL/cUL, CE, RoHS compliant

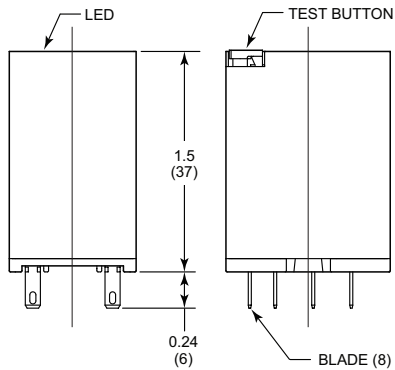
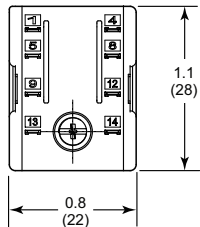


GB024D2 Relay on SB2ZC5 Socket, left,
GB120A3 Relay on SB3ZC5 Socket, right, and
GB120A4 Relay on SB4ZC5 Socket, front
(Sockets ordered separately)

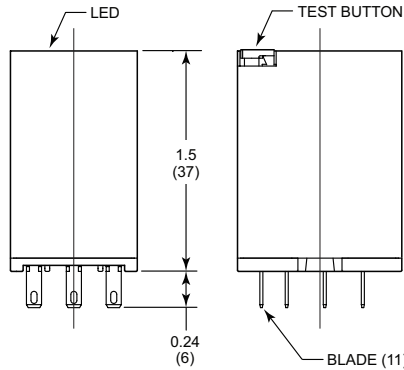
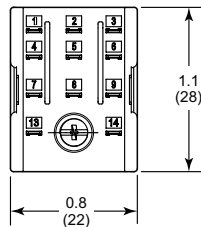


File #E236146

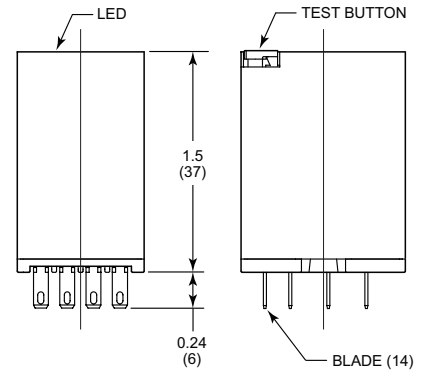
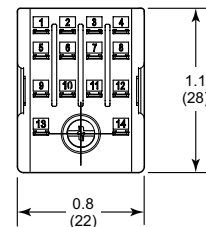
DIMENSIONS



2 Form C (2 Pole)



3 Form C (3 Pole)



4 Form C (4 Pole)

Dimensions in Inches (Millimeters)

GENERAL PURPOSE ROUND RELAYS

GR SERIES



- ◆ High Capacity 10 Amp rated
- ◆ LED indication
- ◆ Push-to-test button
- ◆ Transparent dust cover
- ◆ 2- or 3-pole configurations
- ◆ RoHS compliant
- ◆ UL/cUL, CE approval



Better. By Design.

800.238.7474

WWW.MACROMATIC.COM

SALES@MACROMATIC.COM

Macromatic GR Series General Purpose Relays provide high reliability and durability for applications requiring an economical solution.

These “cube style” relays are configured with Octal (Round) Style terminals and are rated for 10,000,000 mechanical operations. Even though compact in size, these relays provide up to 10 Amp contacts at various AC and DC coil voltage ratings.

Sockets for GR Series relays can be DIN-rail or screw-mounted.

TYPICAL MODEL CODE

| BASE PART NUMBER | | OPTIONS | |
|-----------------------------|------------------------------|-----------------------------|---------------------|
| Leave blank if not selected | | Leave blank if not selected | |
| Series | Control Voltage | Output Contacts | Options |
| GR | 120A 120V AC 024D 24 V DC | 2 2 Form C 3 3 Form C | T Omit Push-to-Test |

| OUTPUT CONTACTS | CONTACT RATING | CONTROL VOLTAGE | CATALOG NUMBER | WIRING/SOCKET |
|-----------------|----------------|-----------------|---------------------|---|
| 2 FORM C | 10 Amp | 24V DC | GR024D2 GR024D2T | 8-Pin Octal Socket SR2ZC3 Bottom View DIAGRAM 820 |
| | 10 Amp | 120V AC | GR120A2 GR120A2T | |
| 3 FORM C | 10 Amp | 24V DC | GR024D3 GR024D3T | 11-Pin Octal Socket SR3ZC3 Bottom View DIAGRAM 821 |
| | 10 Amp | 120V AC | GR120A3 GR120A3T | |

See page 9 for additional socket information

GENERAL PURPOSE ROUND RELAYS

GR SERIES

APPLICATION DATA

Load (Burden):

DC: approximately 1.4 W; AC: approximately 3.0 VA

Voltage Maximum: 250V

Output Contacts:

10A 250V AC/30V DC 2500 VA/300 W

Horsepower Rating,

1/3 HP 120V AC

1/3 HP 240V AC

1/2 HP 277V AC

Wire Size:

(1) 12-20 AWG, solid or stranded

(2) 16-20 AWG, solid or stranded

Life:

10,000,000 mechanical operations

100,000 electrical operations

Temperature: -40° C to 55° C (-40° F to 131° F)

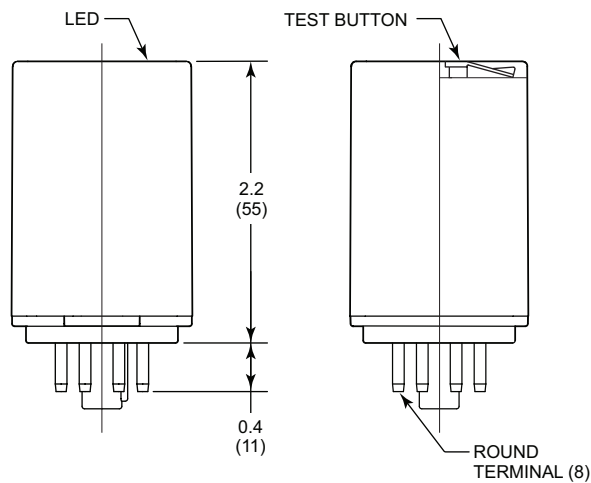
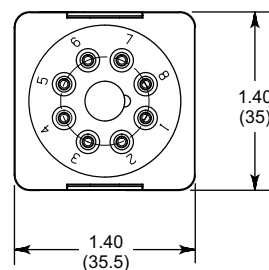
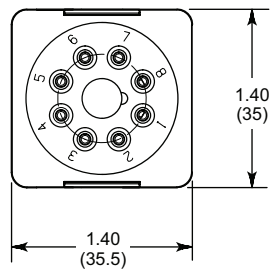
Unit Weight: Approximately 0.20 lb (90 g)

Safety Approvals: UL/cUL, CE, RoHS compliant

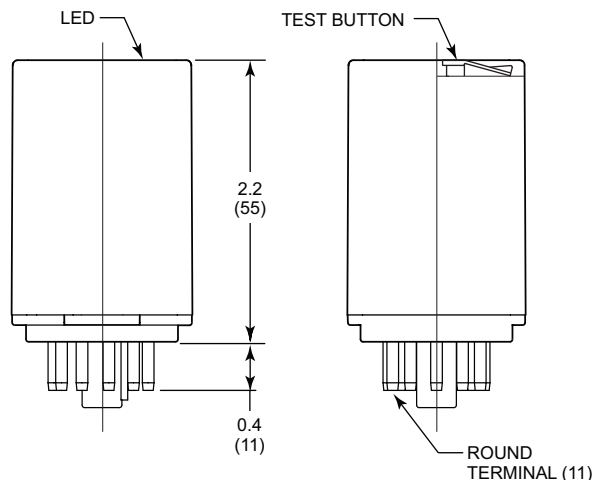


GR120A2 Relay on SR2C3 Socket, left, and
GR024D3 Relay on SR3ZC3 Socket, right
(Sockets ordered separately)

DIMENSIONS



2 Form C (2 Pole)



3 Form C (3 Pole)

Dimensions in Inches (Millimeters)

SOCKETS & ACCESSORIES

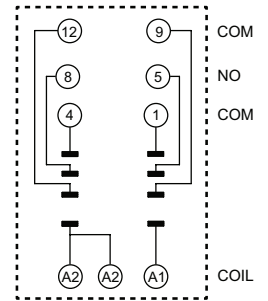
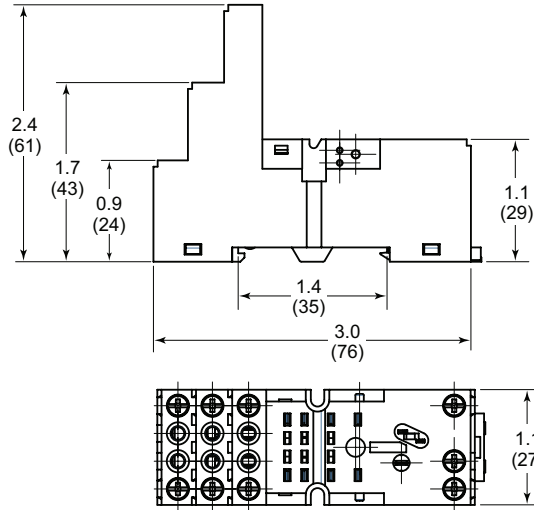
SOCKETS & ACCESSORIES

SB2ZC5 8-Blade Terminal Sockets DIN-Rail or Screw Mounting



- ◆ Optional retainer (See page 10)
- ◆ Tighten terminal screws to recommended torque of 5.31 in-lb
- ◆ Approximate weight: 0.14 lb (64g)

Safety Approvals: UL/cUL, CE, RoHS compliant

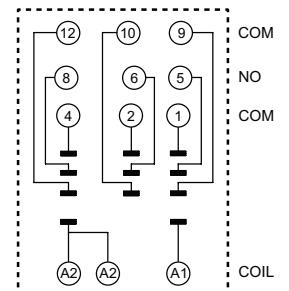
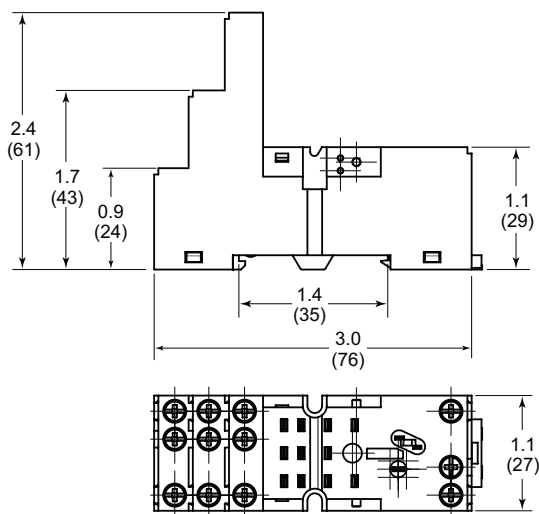


SB3ZC5 11-Blade Terminal Sockets DIN-Rail or Screw Mounting



- ◆ Optional retainer (See page 10)
- ◆ Tighten terminal screws to recommended torque of 5.31 in-lb
- ◆ Approximate weight: 0.16 lb (71 g)

Safety Approvals: UL/cUL, CE, RoHS compliant



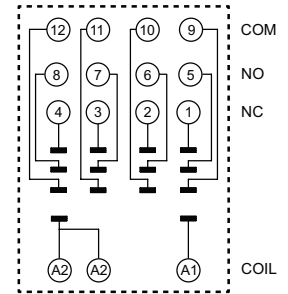
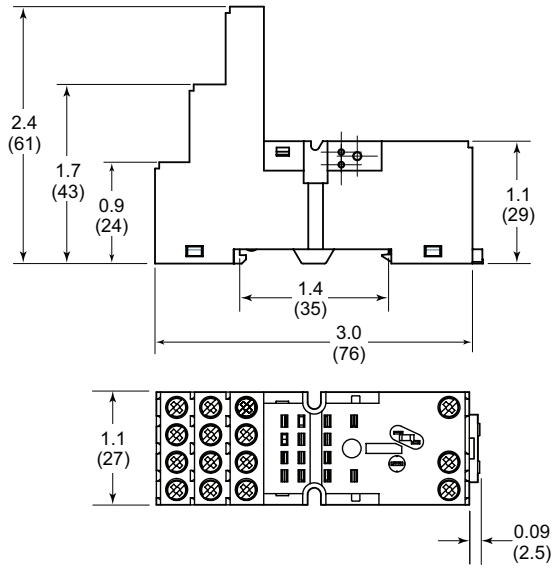
SOCKETS & ACCESSORIES

SB4ZC5 14-Blade Terminal Sockets DIN-Rail or Screw Mounting



- ◆ Optional retainer (See page 10)
- ◆ Tighten terminal screws to recommended torque of 5.31 in-lb
- ◆ Approximate weight: 0.16 lb (71 g)

Safety Approvals: UL/cUL, CE, RoHS compliant

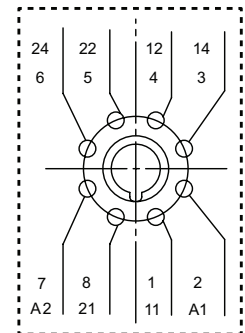
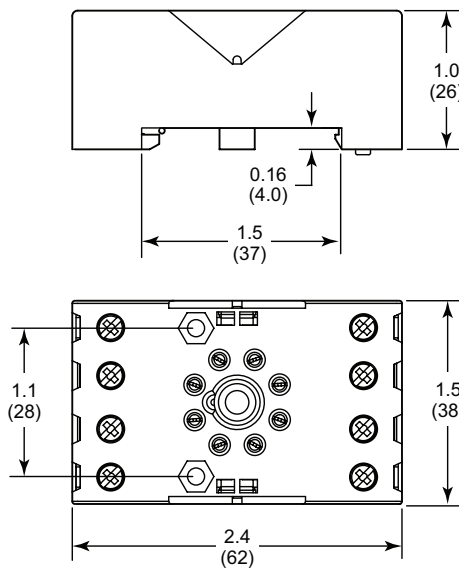


SR2ZC3 Octal (Round) 8-Terminal Sockets DIN-Rail or Screw Mounting



- ◆ Tighten terminal screws to recommended torque of 5.31 in-lb
- ◆ Approximate weight: 0.11 lb (49 g)

Safety Approvals: UL/cUL, CE, RoHS compliant

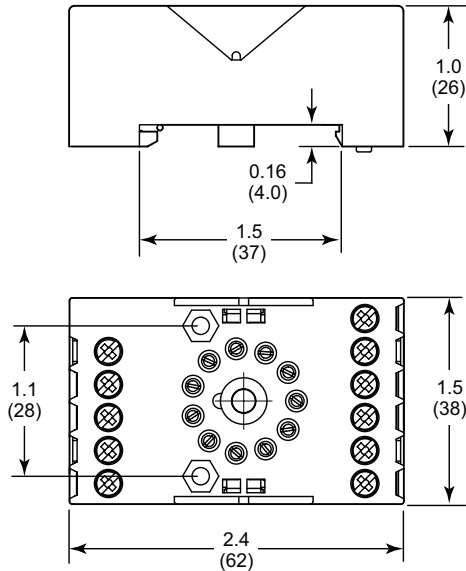


SOCKETS & ACCESSORIES

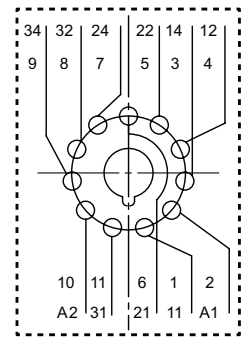
SR3ZC3 Octal (Round) 11-Terminal Sockets DIN-Rail or Screw Mounting



- ◆ Tighten terminal screws to recommended torque of 5.31 in-lb
 - ◆ Approximate weight: 0.12 lb (56 g)
- Safety Approvals:** UL/cUL, CE, RoHS compliant



Dimensions in Inches (Millimeters)

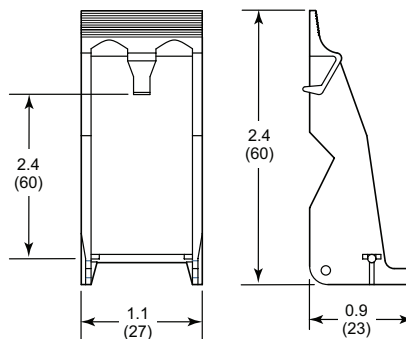


Wiring Diagram

GB-PR Retainer (Plastic) For use with GB Series Blade Relay/Sockets



GB-PR Retainer

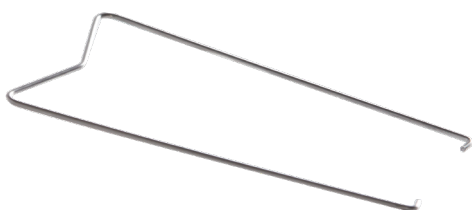


Dimensions in Inches (Millimeters)

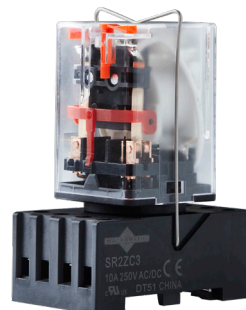


Retainer on GB120A4 Relay and SB4ZC5 Socket

GR-MR Retainer (Metal) For use with GR Series Octal Relay/Sockets



GR-MR Retainer



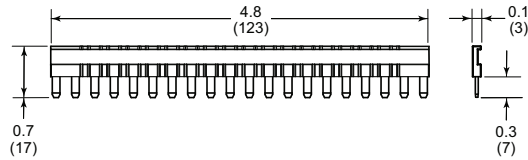
Retainer on GR120A2w Relay and SR2ZC3 Socket

SOCKETS & ACCESSORIES

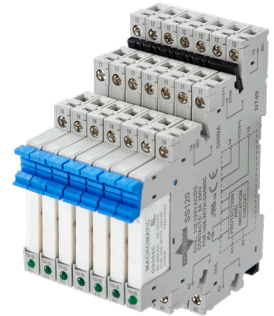
41F-J1B Jumper For use with GSC Series Slim Relay/Socket



41F-J1B Jumper

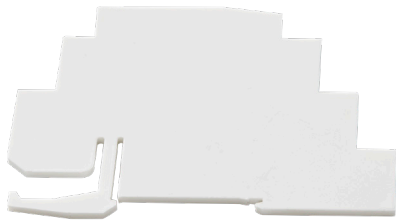


Dimensions in Inches (Millimeters)

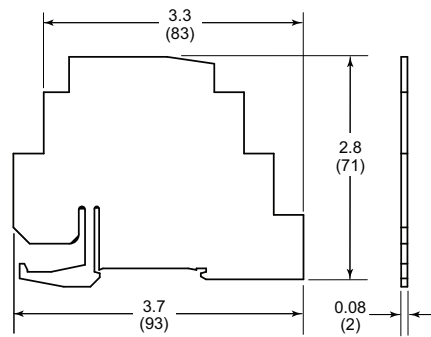


Jumper inserted on relay stack

41F-S Separator For use with GSC Series Slim Relay/Socket



41F-S Separator



Dimensions in Inches (Millimeters)



Separator inserted on relay stack

MACROMATIC INDUSTRIAL CONTROLS

FAMILY OF PRODUCTS

MACROMATIC INDUSTRIAL CONTROLS

MACROMATIC
Better. By Design.

ALTERNATING RELAYS

800.238.7474 | WWW.MACROMATIC.COM | SALES@MACROMATIC.COM

CATALOG OF PRODUCTS

MACROMATIC
Better. By Design.

CURRENT SENSING RELAYS

800.238.7474 | WWW.MACROMATIC.COM | SALES@MACROMATIC.COM

CATALOG OF PRODUCTS

MACROMATIC
Better. By Design.

INTRINSICALLY SAFE PRODUCTS

MACROMATIC INDUSTRIAL CONTROLS, INC. | 800.238.7474 | WWW.MACROMATIC.COM | SALES@MACROMATIC.COM

CATALOG OF PRODUCTS

MACROMATIC
Better. By Design.

LIQUID LEVEL CONTROL RELAYS

800.238.7474 | WWW.MACROMATIC.COM | SALES@MACROMATIC.COM

CATALOG OF PRODUCTS

MACROMATIC
Better. By Design.

THREE-PHASE MONITOR RELAYS

800.238.7474 | WWW.MACROMATIC.COM | SALES@MACROMATIC.COM

CATALOG OF PRODUCTS

MACROMATIC
Better. By Design.

SEAL LEAKAGE & OVER TEMPERATURE RELAYS

800.238.7474 | WWW.MACROMATIC.COM | SALES@MACROMATIC.COM

CATALOG OF PRODUCTS

MACROMATIC
Better. By Design.

TIME DELAY RELAYS

800.238.7474 | WWW.MACROMATIC.COM | SALES@MACROMATIC.COM

CATALOG OF PRODUCTS

MACROMATIC
Better. By Design.

VOLTAGE MONITOR RELAYS

800.238.7474 | WWW.MACROMATIC.COM | SALES@MACROMATIC.COM

CATALOG OF PRODUCTS

MACROMATIC
Better. By Design.

PERCENTAGE TIMERS

800.238.7474 | WWW.MACROMATIC.COM | SALES@MACROMATIC.COM

CATALOG OF PRODUCTS



Better. By Design.

MACROMATIC
Better. By Design.

GENERAL PURPOSE RELAYS

MACROMATIC INDUSTRIAL CONTROLS, INC. | 800.238.7474 | WWW.MACROMATIC.COM | SALES@MACROMATIC.COM

CATALOG OF PRODUCTS

800.238.7474 | WWW.MACROMATIC.COM | SALES@MACROMATIC.COM

09.15.20

Specifications subject to change without notice | Macromatic is a registered trademark of Macromatic Industrial Controls, Inc.