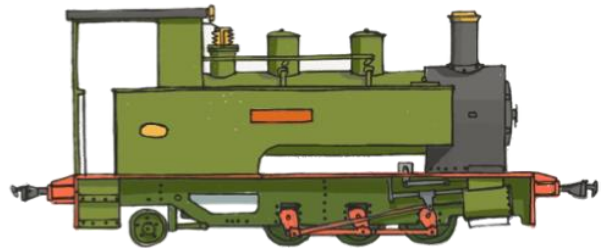


# Bowaters

## MODELS

specialising in distinctive 16mm models



### Bowaters Models – BMZ Series Instructions

### Snailbeach Hopper Wagons



#### Requires

- Accucraft Chopper Couplings
- Binnie 24mm Wheels and 50/63mm Axles

#### Required Tools

- Fine Sandpaper/Emery paper or boards
- Small Files
- PVA Glue
- Super Glue
- Sharp Craft Knife

## About the Kit

The kit is a wooden kit comprising of a set of laser cut wooden parts and 3D printed sections.

## Chassis Fitting

This kit is designed for the Bowaters Models 4w chassis. These are assembled as per the enclosed instructions.

## Couplings

This kit is designed to make use of Accucraft Chopper Couplings which are to be mounted in the centre of the bufferbeam.

## Instruction notes

With these instructions, there are images which show various stages of the construction of one of the kits. They are of the Digital Test build for BMZ-003 which isn't representative of the kit you have brought. They are for reference purposes only.

## 3D Print Notes

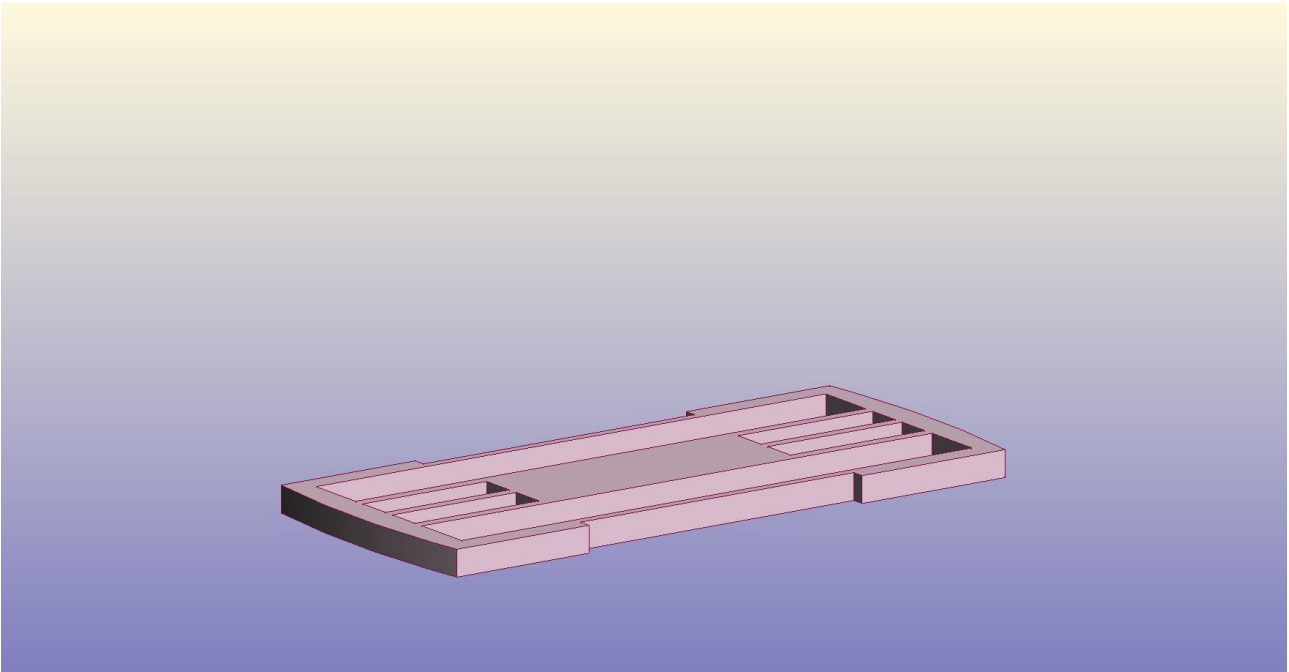
The 3D prints in your kit are formed using Fused Deposition Modeling (FDM) printing. This means the parts are formed in multiple layers. This means your parts will need some work to get a smooth finish. This is easy to achieve by using a good filler primer (such as the one Halfords in the UK sell) with a sanding between each coat to fill the gaps. It will take at least 4 passes to get a smooth results but it is a very relaxing process we've found! Easily the entire 3D printed parts can be done in a day allowing for the primer to dry and a light grade of sandpaper being used.

## Painting

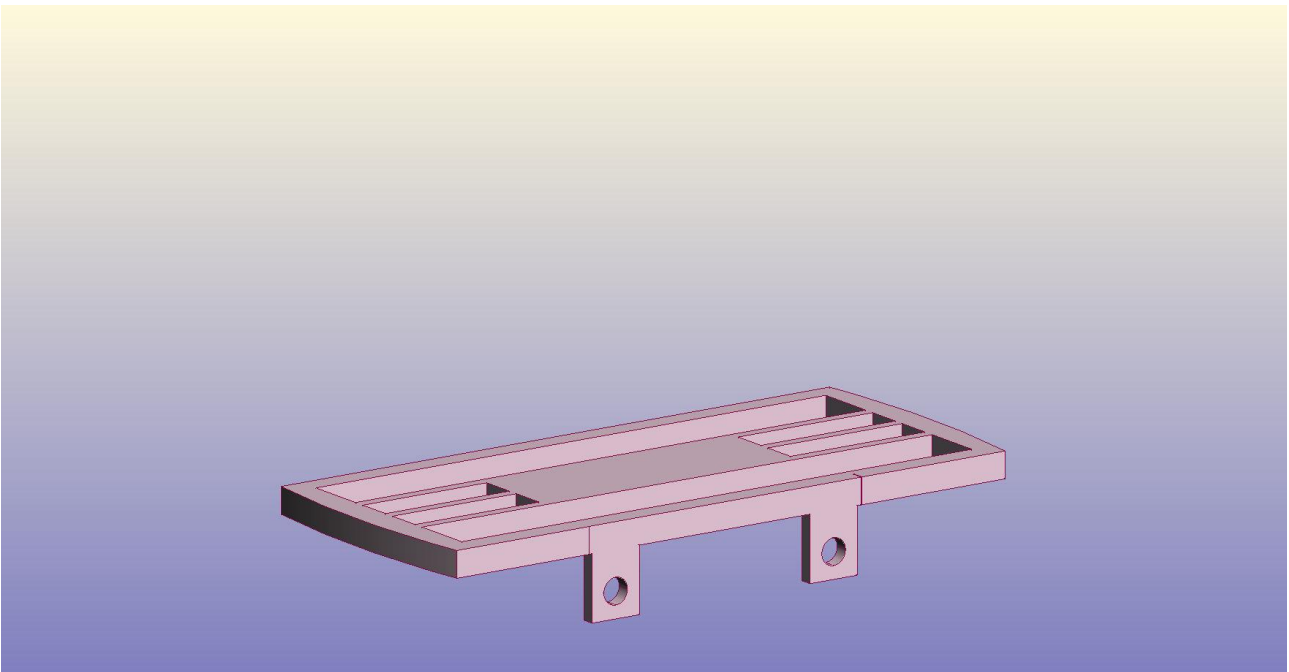
As these are freelance models, you can paint them however you wish!

# Please Turn over

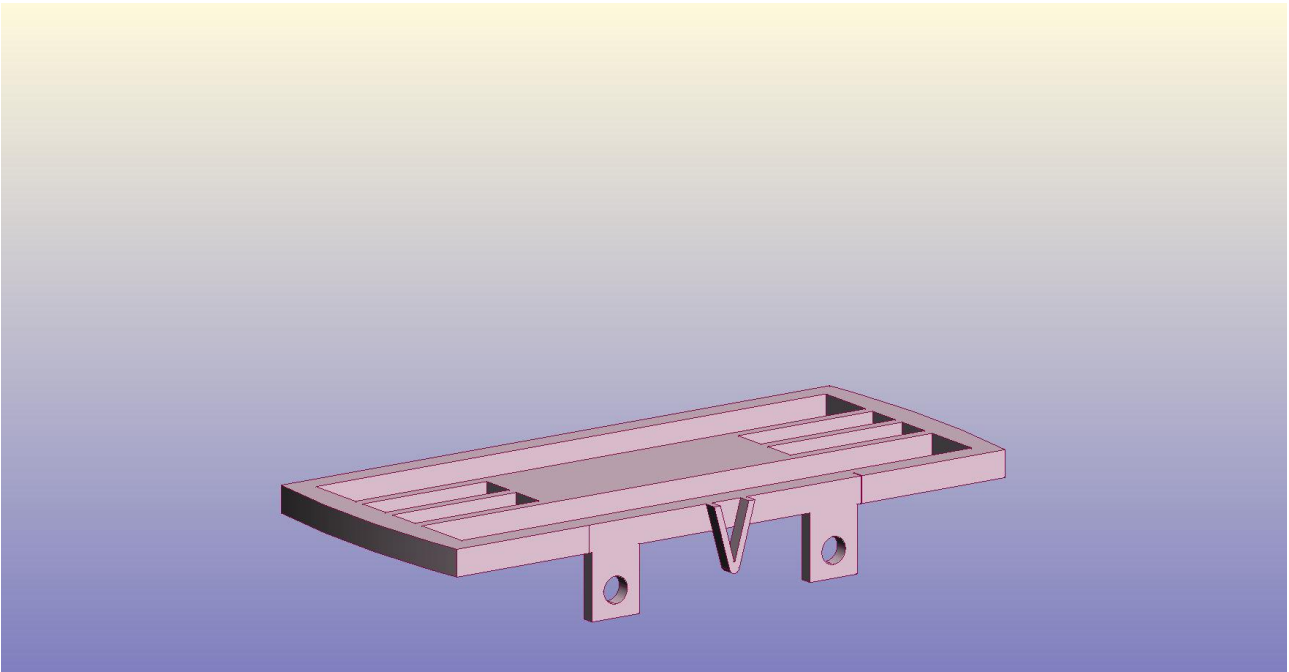
Please read though these instructions before beginning to assemble your  
kit



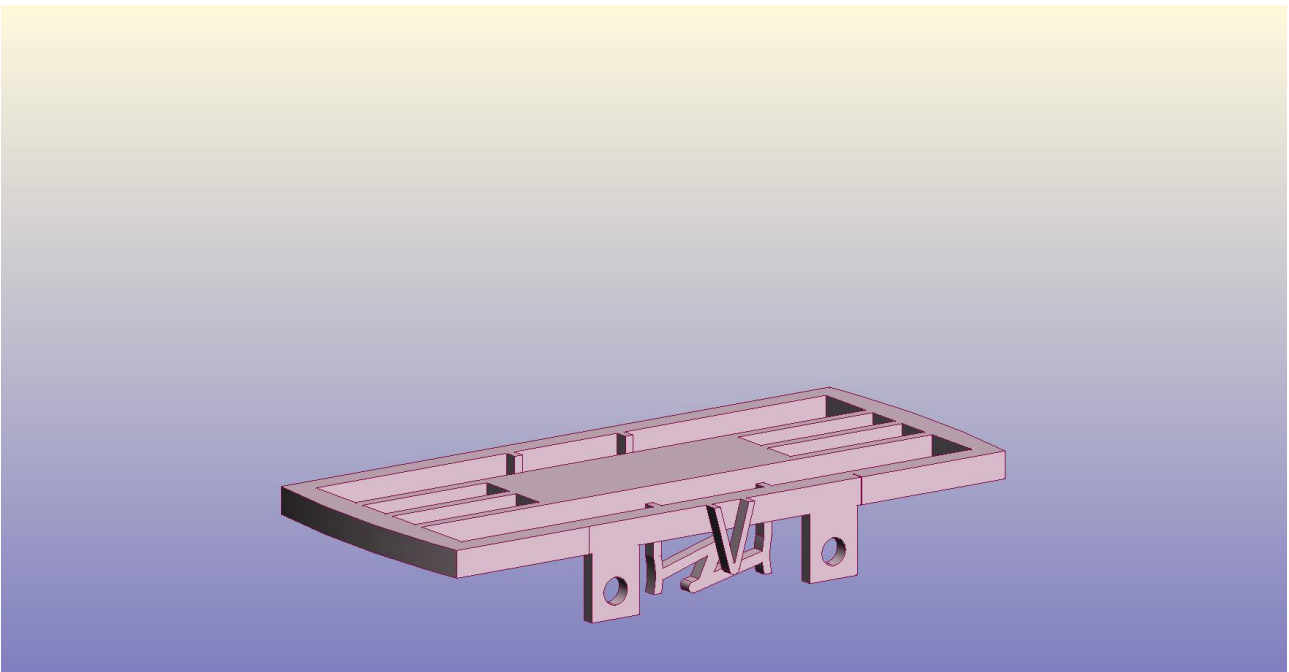
Start by gluing the two chassis plates together on top of each other.



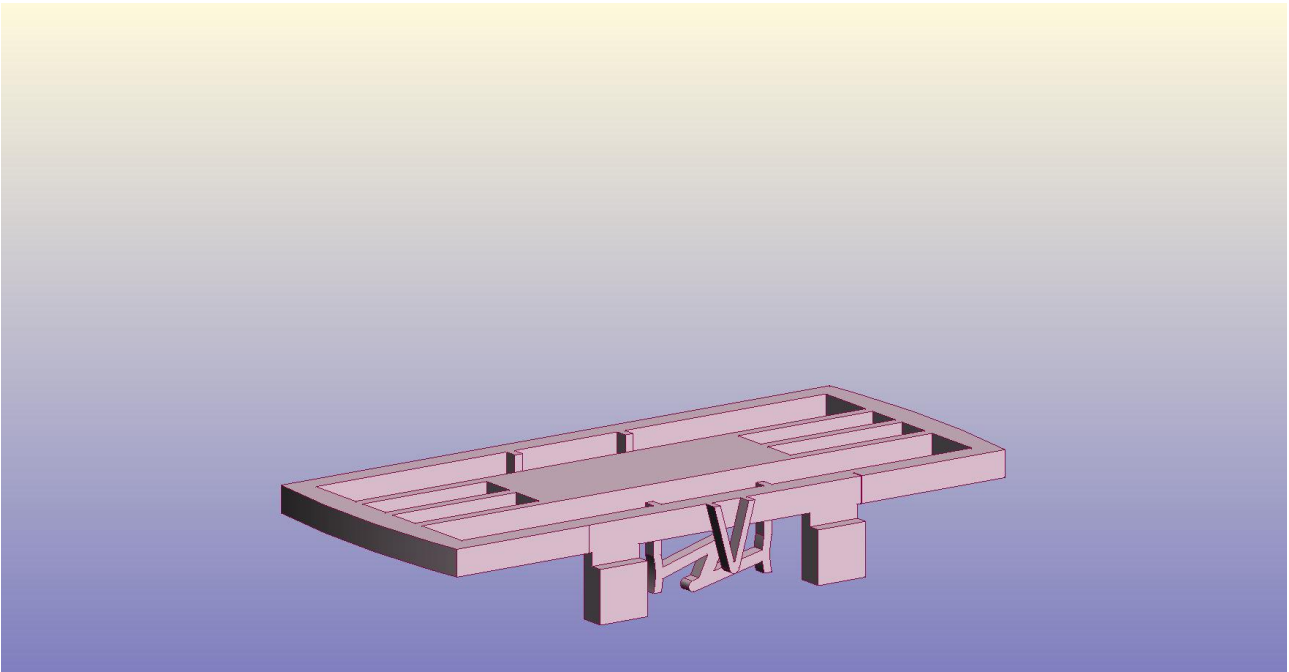
Next glue into place the axleboxes. It is strongly recommended you fit the wheels at this stage.  
Alternatively if you want to paint the wagon first, then fit these last.



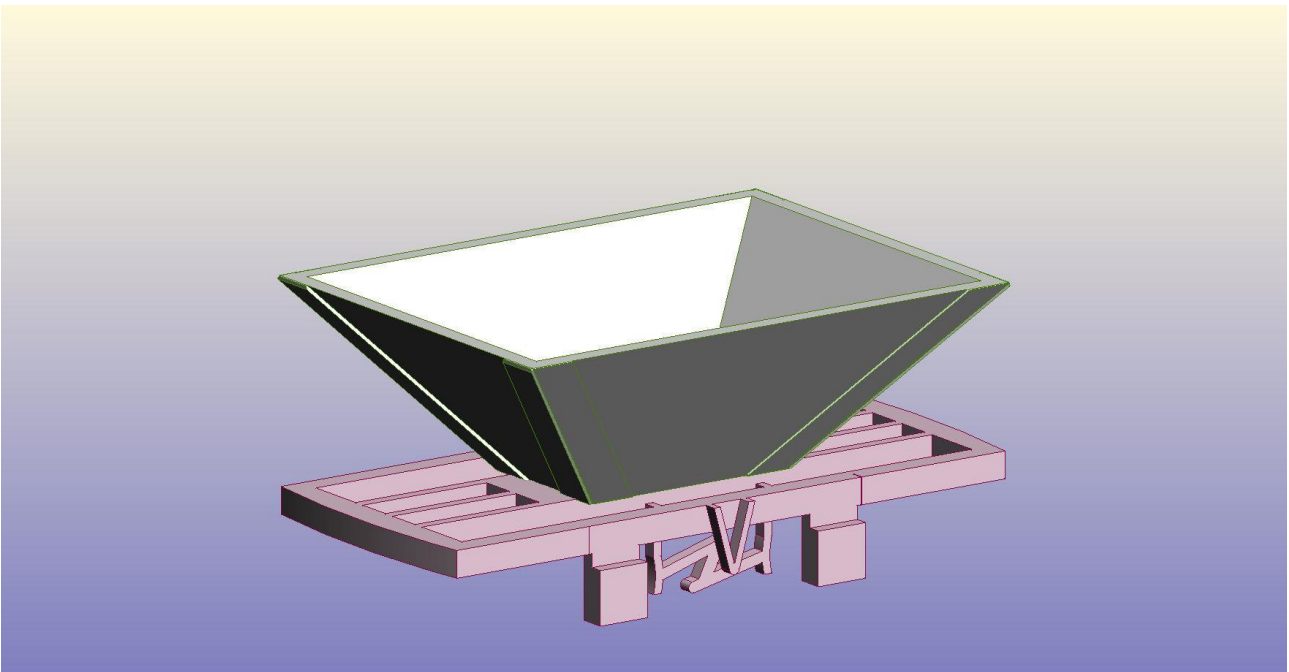
To start on the brake rigging, glue the V hanger on the outside of the model.



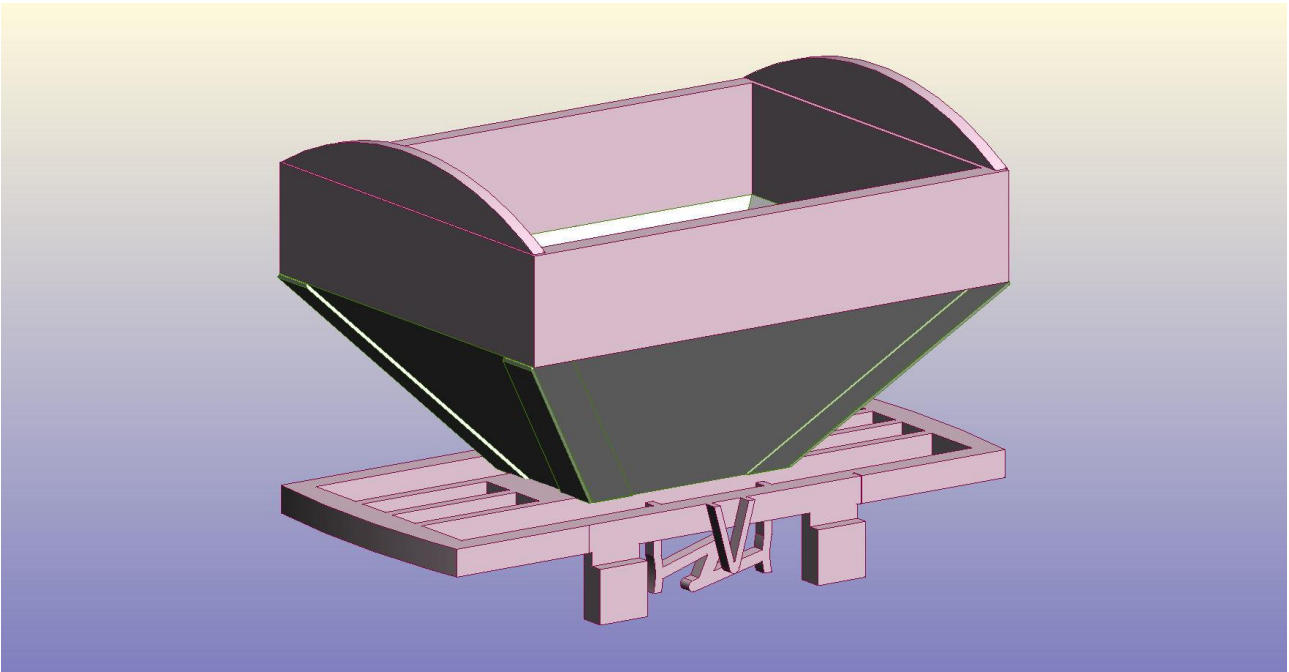
Next glue into place the brake blocks.



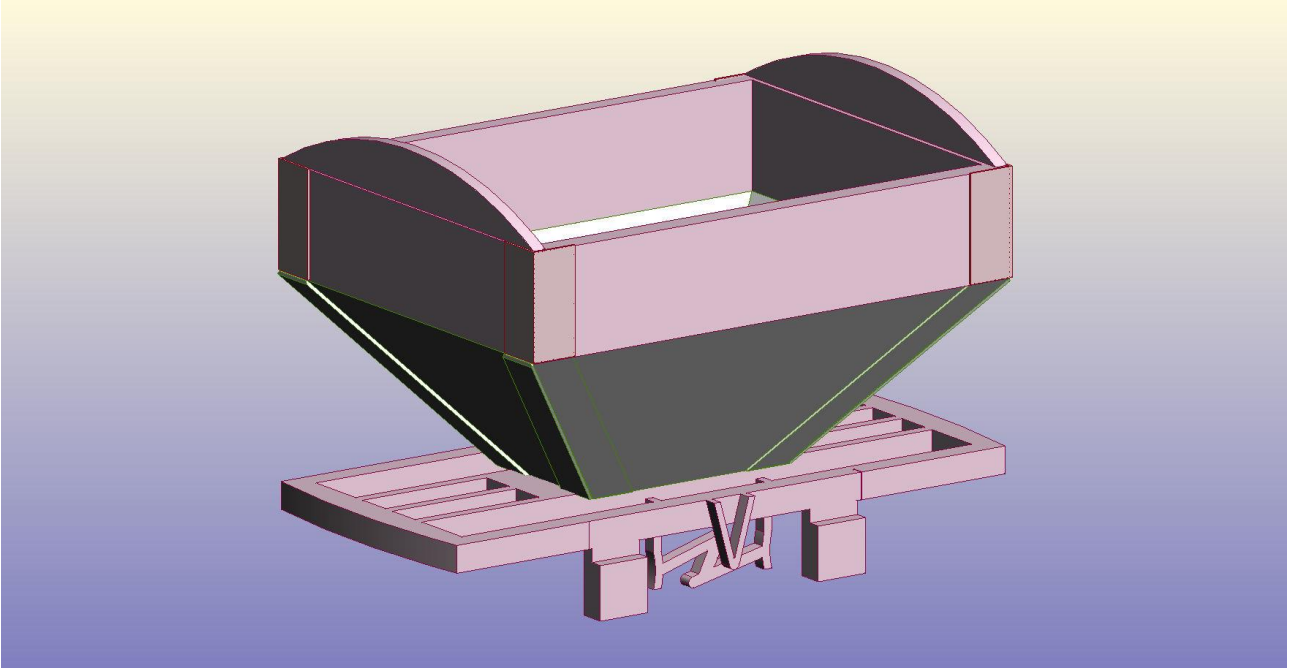
To complete the chassis, glue into place the axlebox covers.



To start the body, glue on the main hopper body.

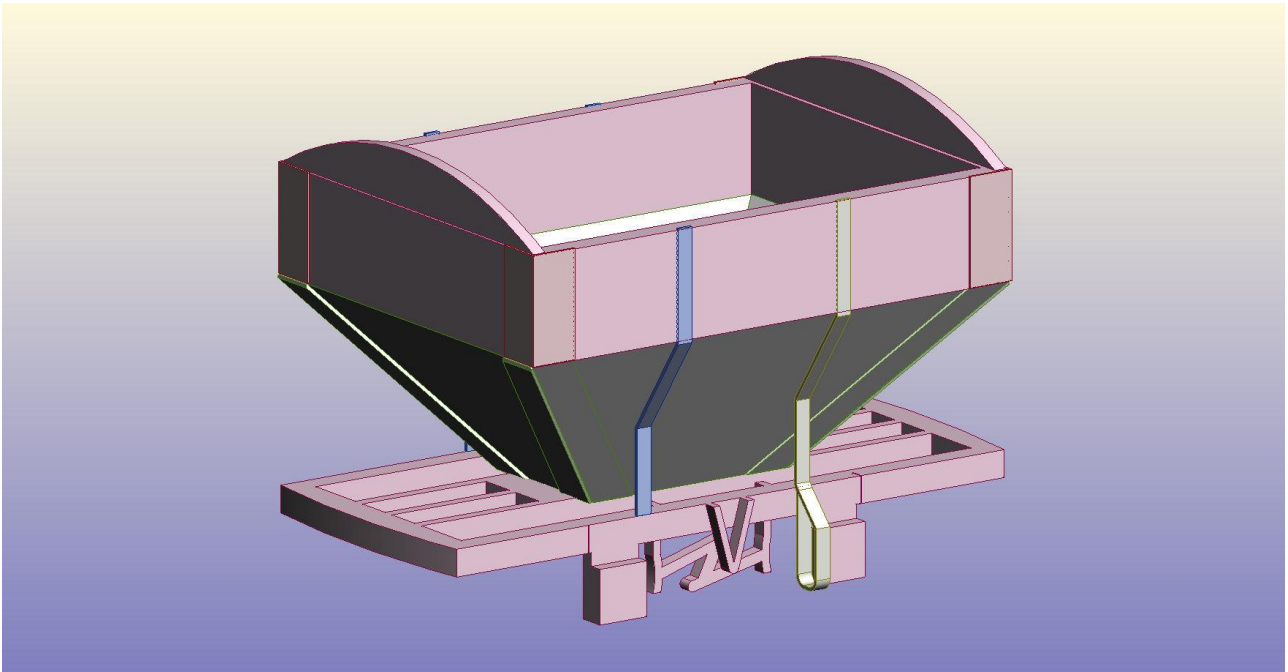


Next glue into place the upper hopper body which are made of wooden parts.

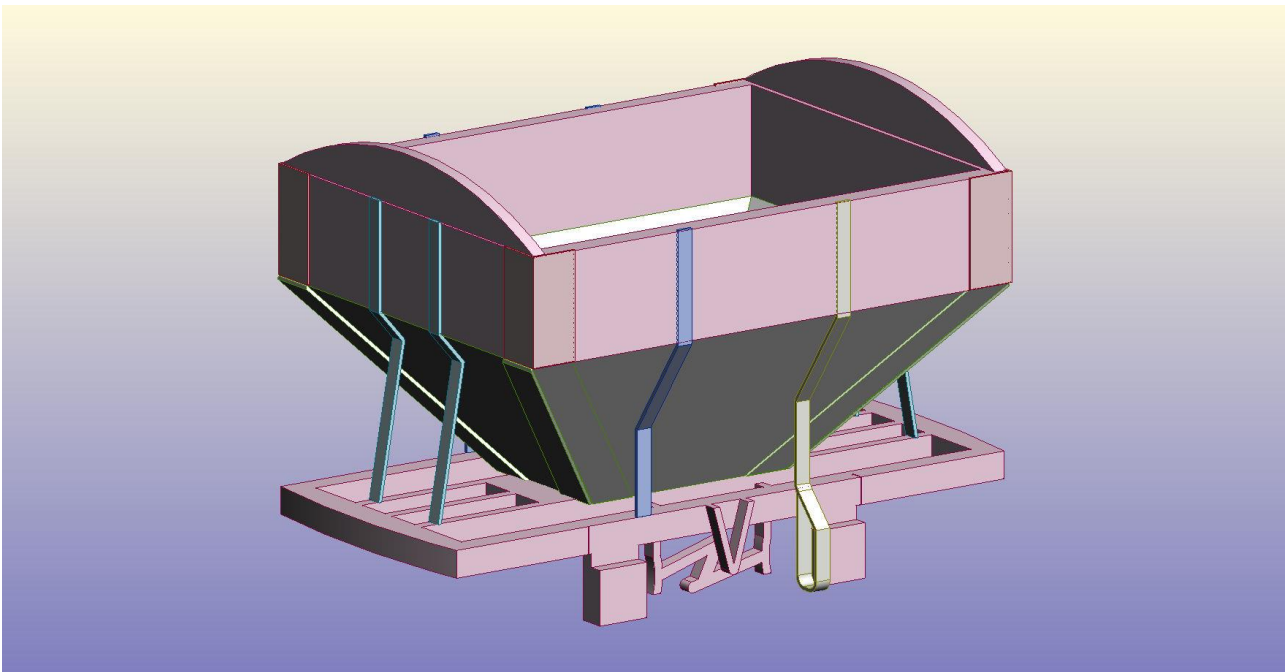


Next, glue into place the upper hopper body straps to complete the main hopper body.

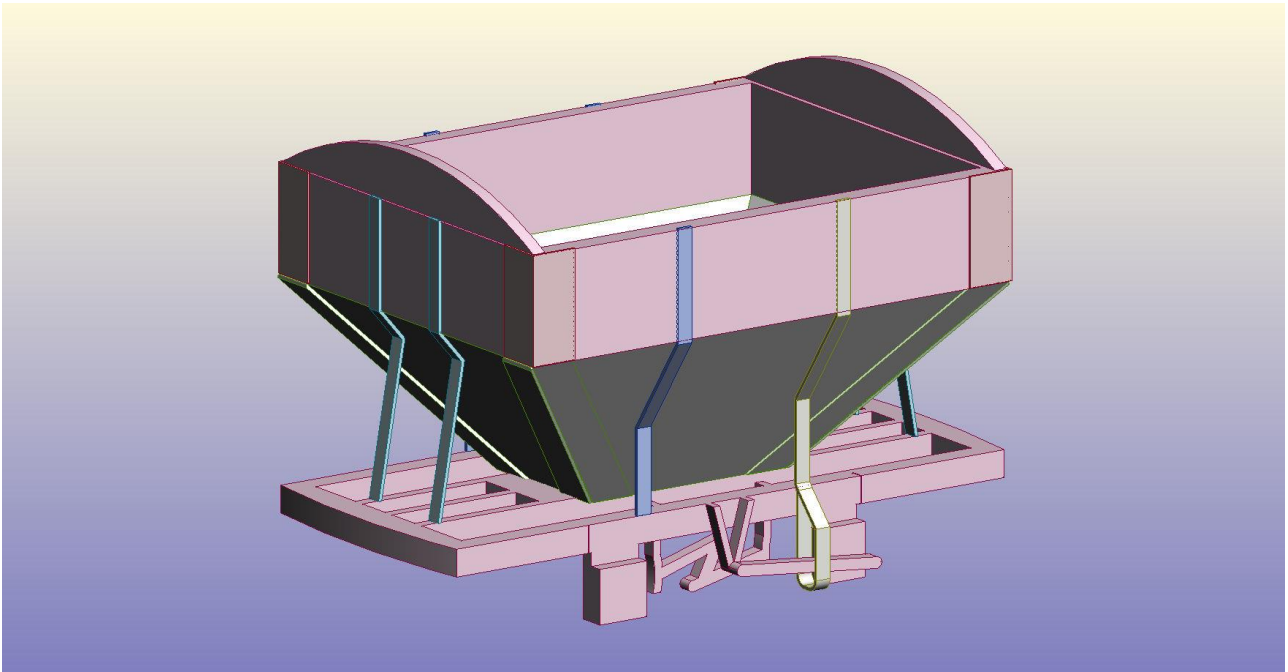




Next, glue into place the side strapping. The brake unit going on the side with the V hanger.



Next, glue into place the end strapping.



Next, glue into place the brake handle.

To finish the model, glue on the couplings.

Your Model(s) is now complete.



We hope you enjoy your Bowaters Models kit! If you have any questions, don't hesitate to contact us on [info@bowatersmodels.co.uk](mailto:info@bowatersmodels.co.uk)

We thank you for your custom.