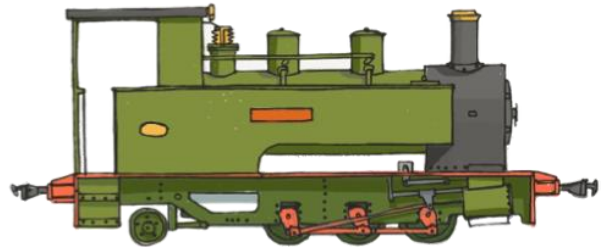


# Bowaters

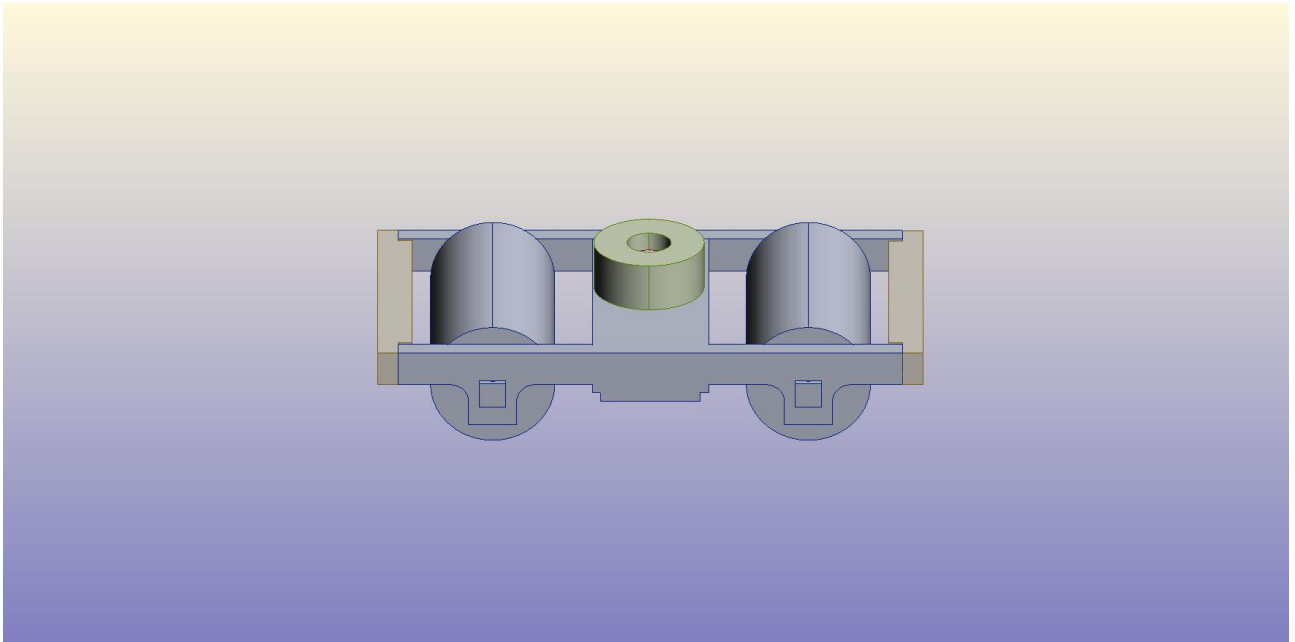
## MODELS

specialising in distinctive 16mm models



### Bowaters Models – BMTT Series Instructions

### TT:120 Coach Bogies



#### Requires

- Hornby/Tillig TT:120 Couplings
- Greenwich 12mm Gauge 9mm wheelsets

#### Required Tools

- Fine Sandpaper/Emery paper or boards
- Small Files
- PVA Glue
- Super Glue
- Sharp Craft Knife

## Prototype Information

Coach bogies have been used for decades becoming more popular in the late 1800s over the then more common 4 and 6 wheeled coaches. Still used today in various forms, they're the go to for most modern coaching stock and motive power.

## About the Kit

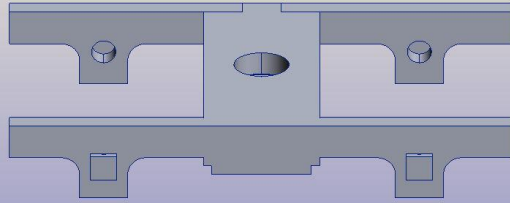
The kit is a plastic 3D printed kit comprising of a set of 3D printed sections.

## Instruction notes

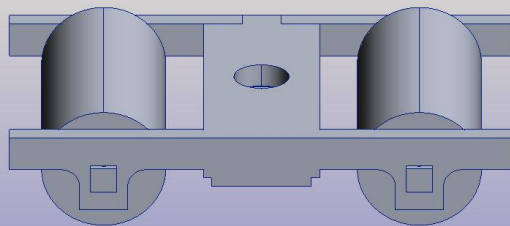
With these instructions, there are images which show various stages of the construction of one of the kits. They are of the Digital Test build for the Maunsell Coach bogie which may not be representative of the kit you have brought. They are for reference purposes only. Please note all TT:120 bogies will follow this design at the time of writing (10/05/2024).

# Please Turn over

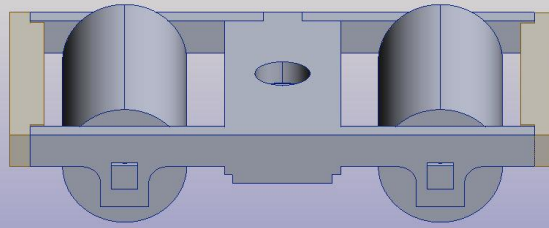
Please read though these instructions before beginning to assemble your  
kit



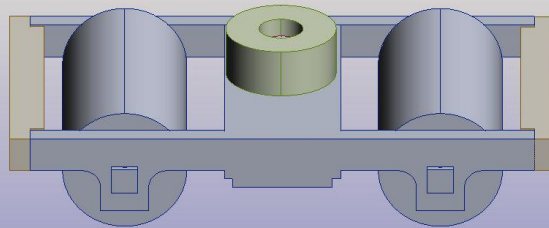
Start by taking the bogie core and making sure all sides are cleaned up as needed and the part is in one piece.



Next, insert the wheel sets within the bogie frame. Carefully push the frames apart while you do this. There is enough give within the part for this process to be completed without any issues.



Next, glue into place the 2 end pieces. There are two different thicknesses. The thicker of the two is intended to be the outer face of the bogie where the coupling pocket can be directly mounted. For this, we recommend a cut down Peco 009 NEM pocket using either Tillig or Hornby TT:120 couplings.



To mount your bogie onto the model, glue the mounting disc onto your model in the required place. Then slide the pin through the base of the bogie into the disc. A small amount of Superglue maybe required.

Your bogies are now complete.

We hope you enjoy your Bowaters Models kit! If you have any questions, don't hesitate to contact us on [info@bowatersmodels.co.uk](mailto:info@bowatersmodels.co.uk)

We thank you for your custom.