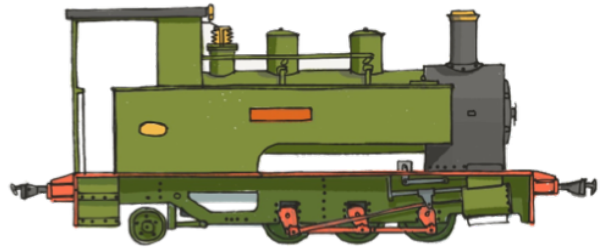


Bowaters

MODELS

specialising in distinctive 16mm models



Bowaters Models – BMS Series Instructions

Flat Cars



Requires

- IP Engineering Large Laser Cut Bogies in the gauge of your choice
- Accucraft Chopper Couplings Z2

Required Tools

- Fine Sandpaper/Emery paper or boards
- Small Files
- PVA Glue
- Super Glue
- Sharp Craft Knife

Prototype Information

These wagons originally operated on the Sandy River and Rangeley Lakes Railroad. These wagons/cars operated from the railroad's early days right up to the day it was torn up and scrapped in the mid 1930s. They were used for bulk transport and with the addition of pulpracks, were used to carry logs from the cutting area to mills. Sadly only one of these cars exists today on the preserved railroad although there were thought to be more until the mid 1950s.

About the Kit

The kit is a wooden kit comprising of a set of laser cut wooden parts.

Chassis Fitting

This kit is designed for IP Engineering Large Laser cut Bogies. These are assembled as per the instructions. These are fitted at the end of the assembly stage.

Couplings

This kit is designed to make use of Accucraft Chopper Couplings which are to be mounted in the prototypical location.

Instruction notes

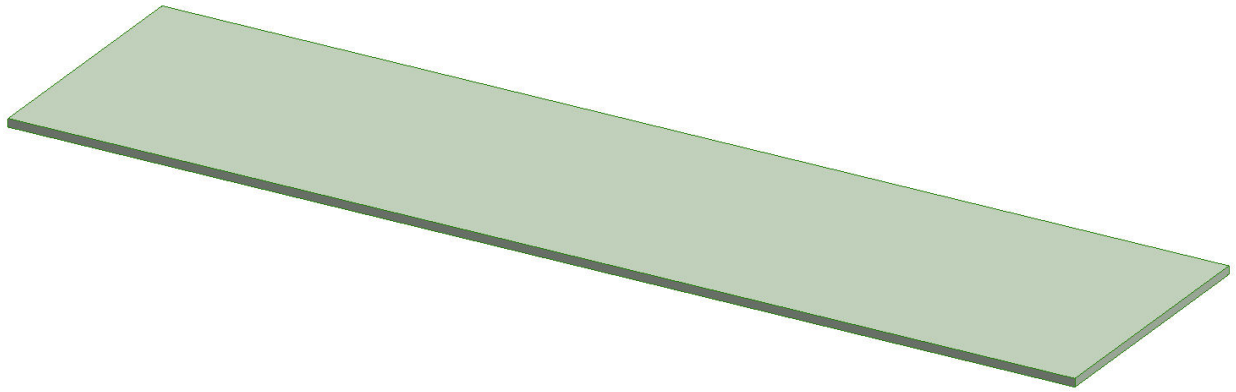
With these instructions, there are images which show various stages of the construction of one of the kits. They are of the Digital Test build for BMS-201 which isn't representative of the kit you have brought. They are for reference purposes only.

Painting

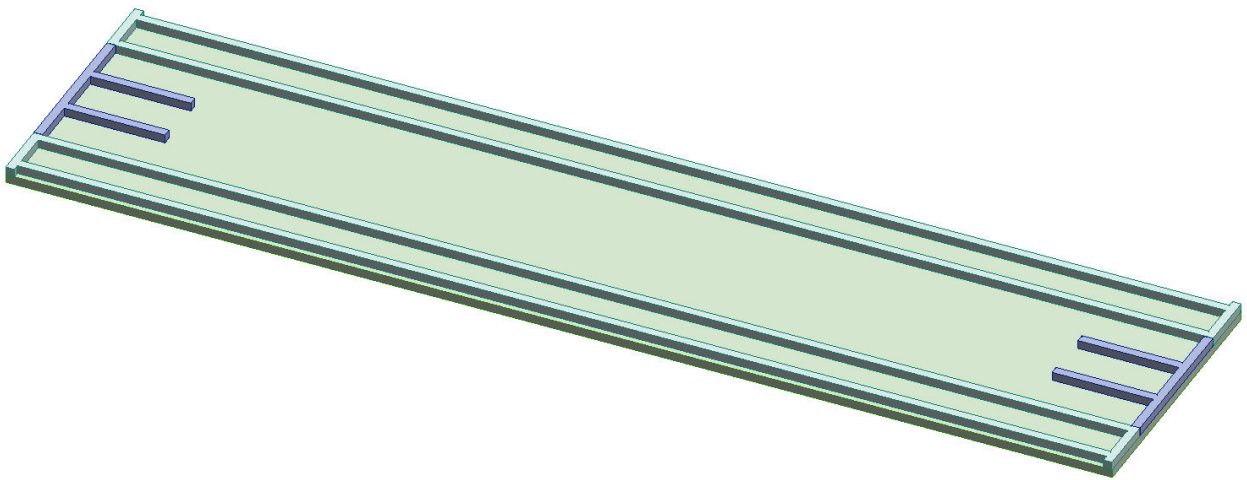
- Main Paint Scheme
 - SR&RL 'Freight Car Red'. Best described as Red Lead. Lettering in White.

Please Turn over

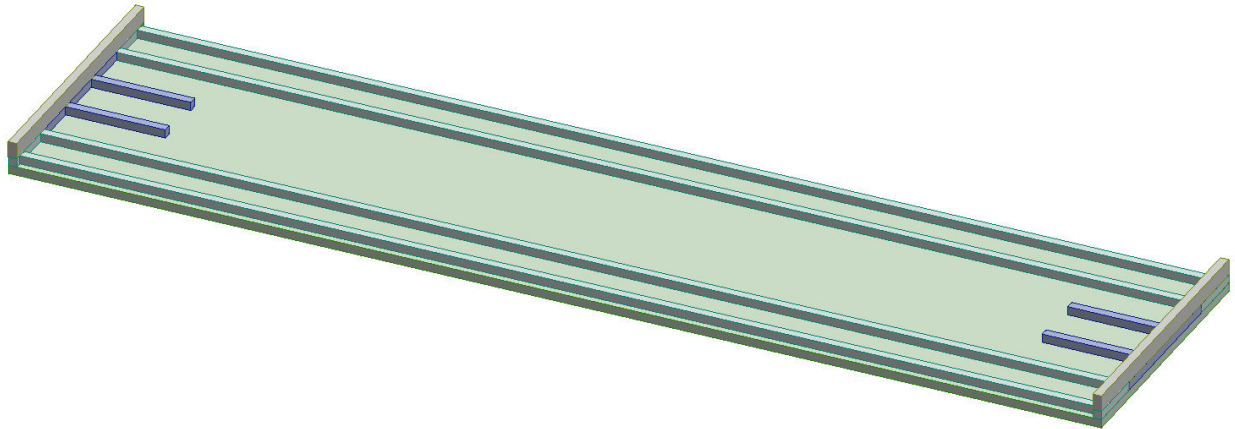
Please read though these instructions before beginning to assemble your
kit



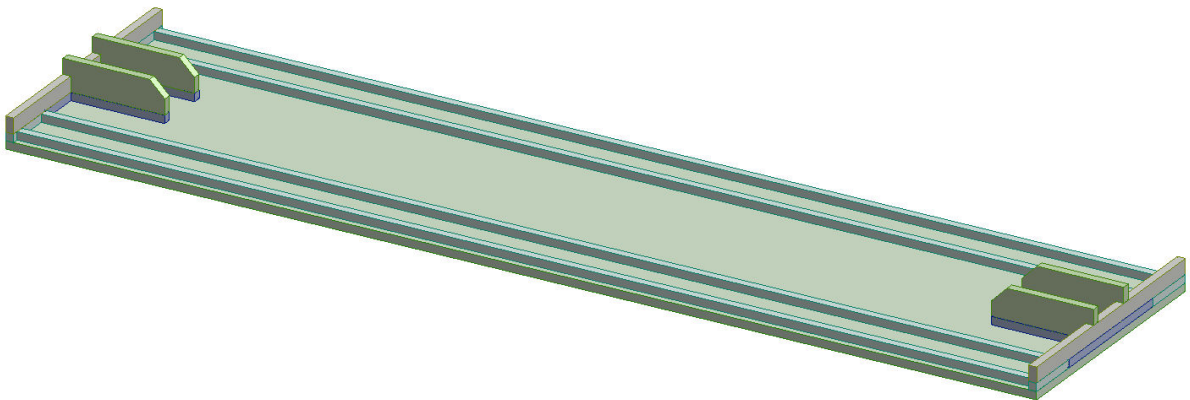
Start with the main floor section. These feature laser cut planks on the top side.



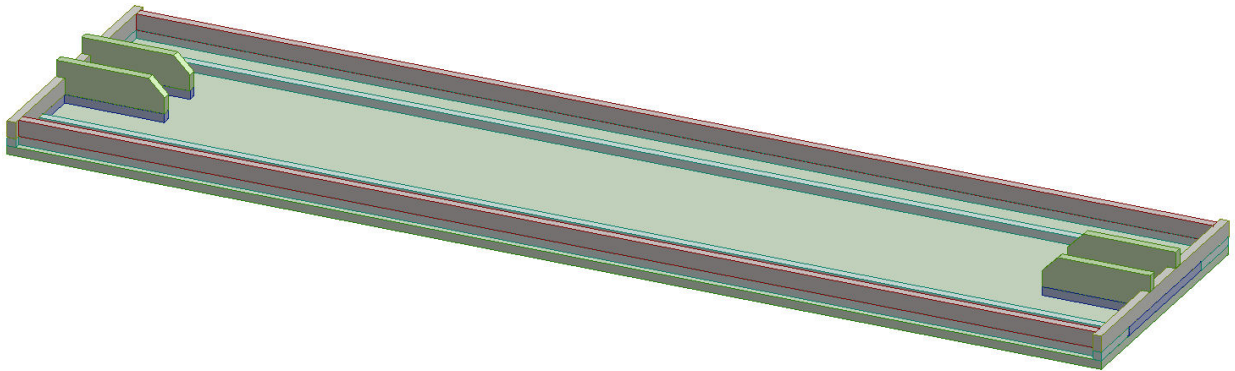
Next, flip the part over and attach the frame underside sections to the floor. The components all sit end to end and sit on the bottom of the floor.



Next, attach the headstocks. These sit on top of the frame sections and form part of the coupling face.



Next, attach the drawbar mounts to the ends. These sit on the shorter sections of underside framing.



Next, attach the side frames to the model. There are two of these that sit on the outside of the model.

At this point, you need to attach the couplings and bogies to the ends. The top of the coupling box should sit level with the bottom of the floor section. The bogies should be installed with room to swing for curves. Note, if in doubt, reference again prototype pictures.

Your Model is now complete.



We hope you enjoy your Bowaters Models kit! If you have any questions, don't hesitate to contact us on info@bowatersmodels.co.uk

We thank you for your custom.