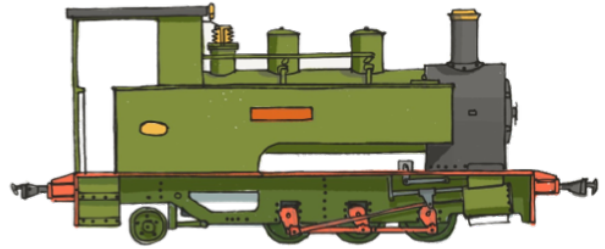


Bowaters

MODELS

specialising in distinctive 16mm models



Bowaters Models – BMS Series Instructions

Box Cars



Requires

- IP Engineering Large Laser Cut Bogies in the gauge of your choice
- Accucraft Chopper Couplings Z2

Required Tools

- Fine Sandpaper/Emery paper or boards
- Small Files
- PVA Glue
- Super Glue
- Sharp Craft Knife

Prototype Information

These wagons originally operated on the Sandy River and Rangeley Lakes Railroad. These wagons/cars operated from the railroad's early days right up to the day it was torn up and scrapped in the mid 1930s. They were used for bulk transport. A small number of the wide range of boxcars exists today on both the preserved railroad and other locations in Maine although there were thought to be more until the mid 1950s.

About the Kit

The kit is a wooden kit comprising of a set of laser cut wooden parts.

Chassis Fitting

This kit is designed for IP Engineering Large Laser cut Bogies. These are assembled as per the instructions. These are fitted at the end of the assembly stage.

Couplings

This kit is designed to make use of Accucraft Chopper Couplings which are to be mounted in the prototypical location.

Instruction notes

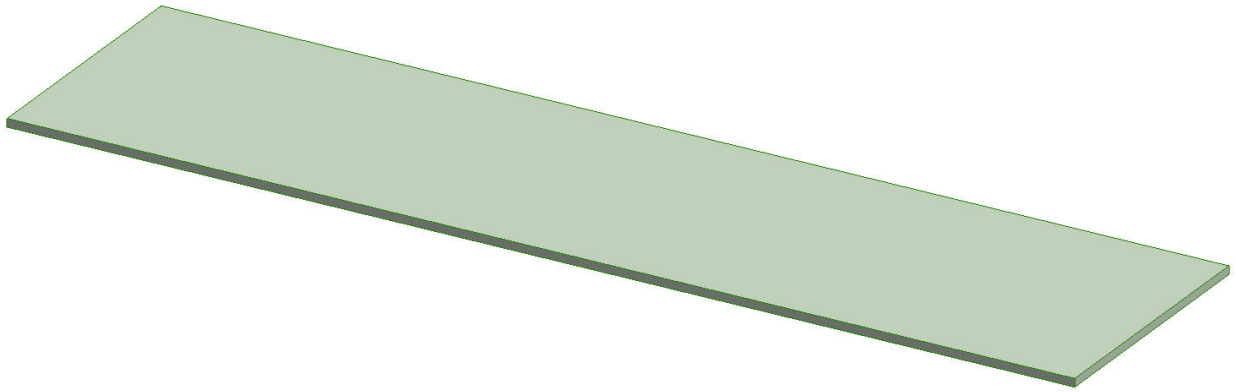
With these instructions, there are images which show various stages of the construction of one of the kits. They are of the Digital Test build for BMS-101 which isn't representative of the kit you have brought. They are for reference purposes only.

Painting

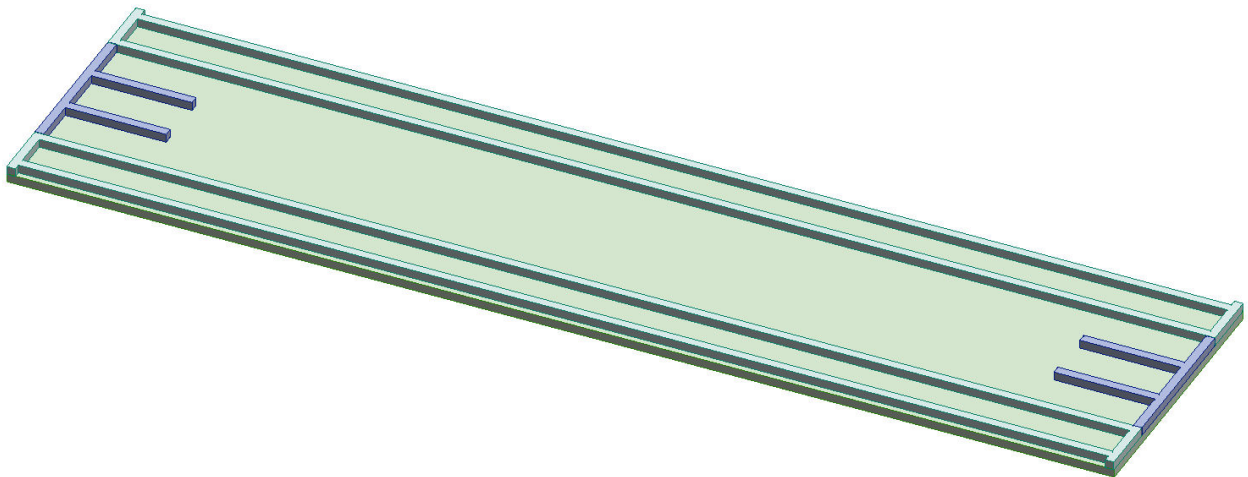
- Main Paint Scheme
 - SR&RL 'Freight Car Red'. Best described as Red Lead. Lettering in White.

Please Turn over

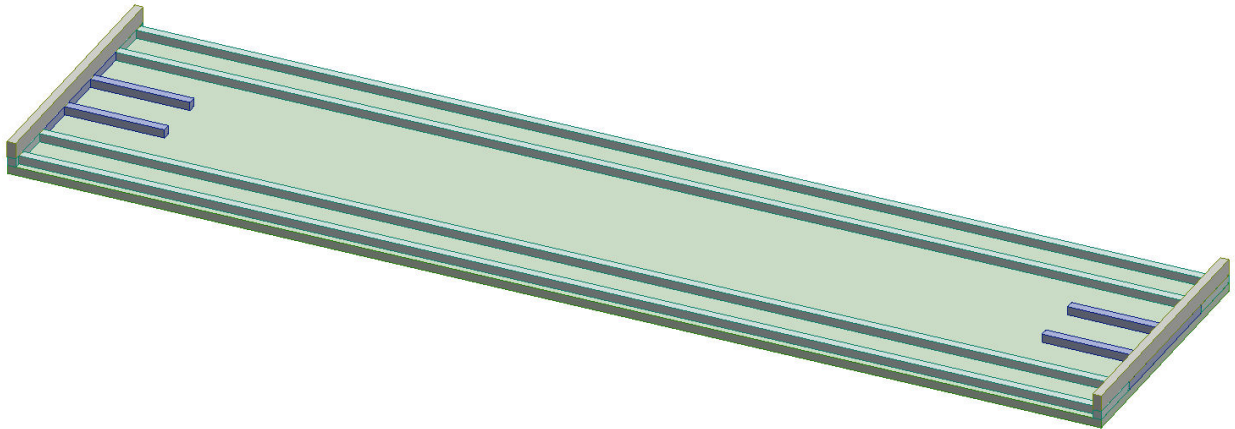
Please read though these instructions before beginning to assemble your
kit



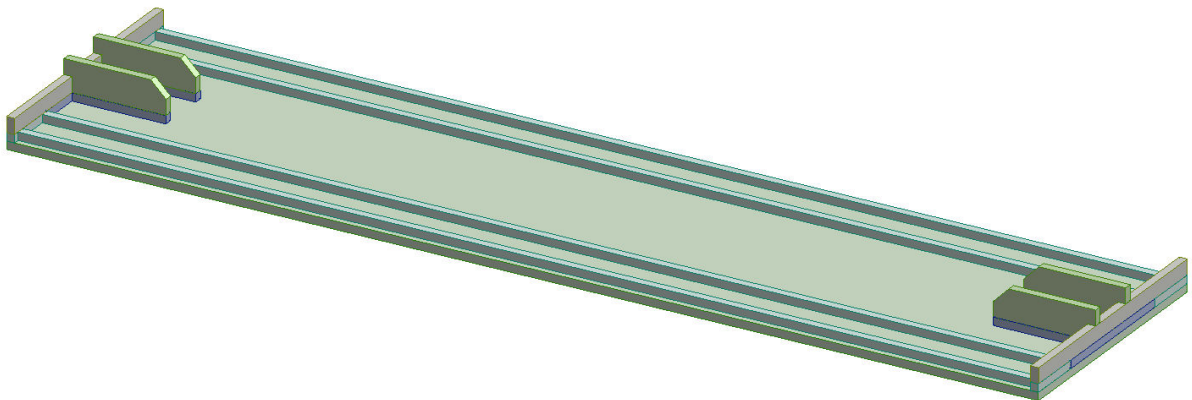
Start with the main floor section. These feature laser cut planks on the top side.



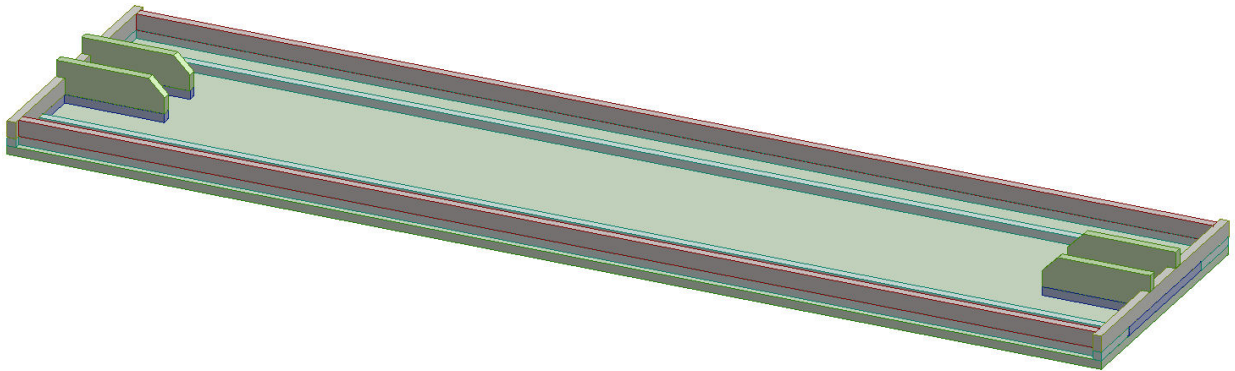
Next, flip the part over and attach the frame underside sections to the floor. The components all sit end to end and sit on the bottom of the floor.



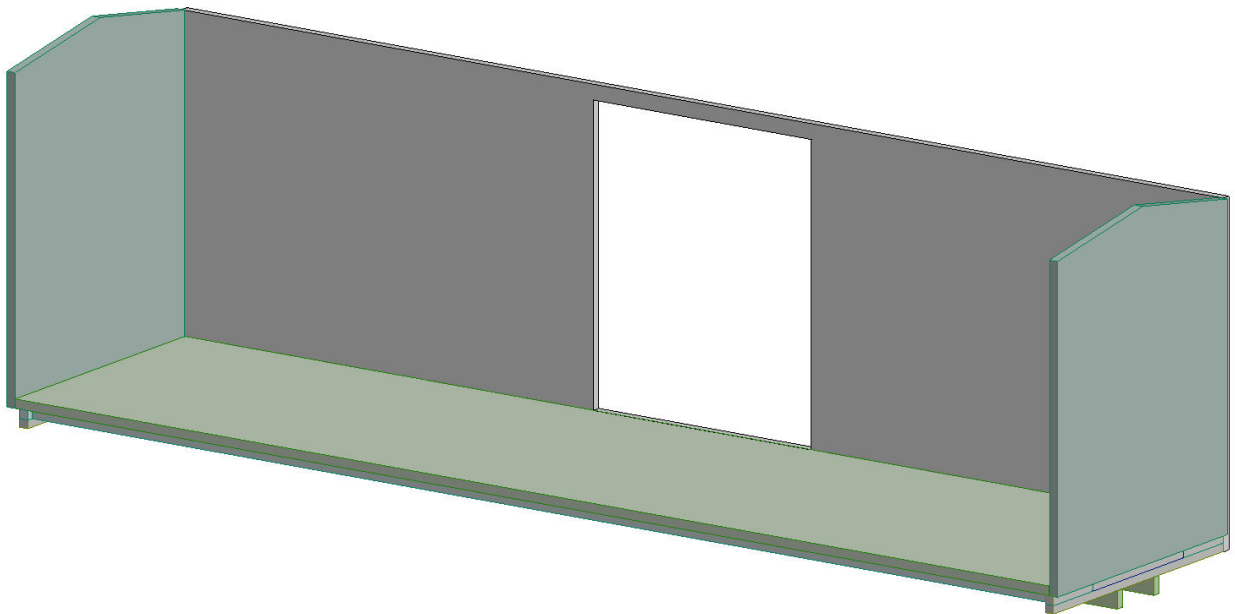
Next, attach the headstocks. These sit on top of the frame sections and form part of the coupling face.



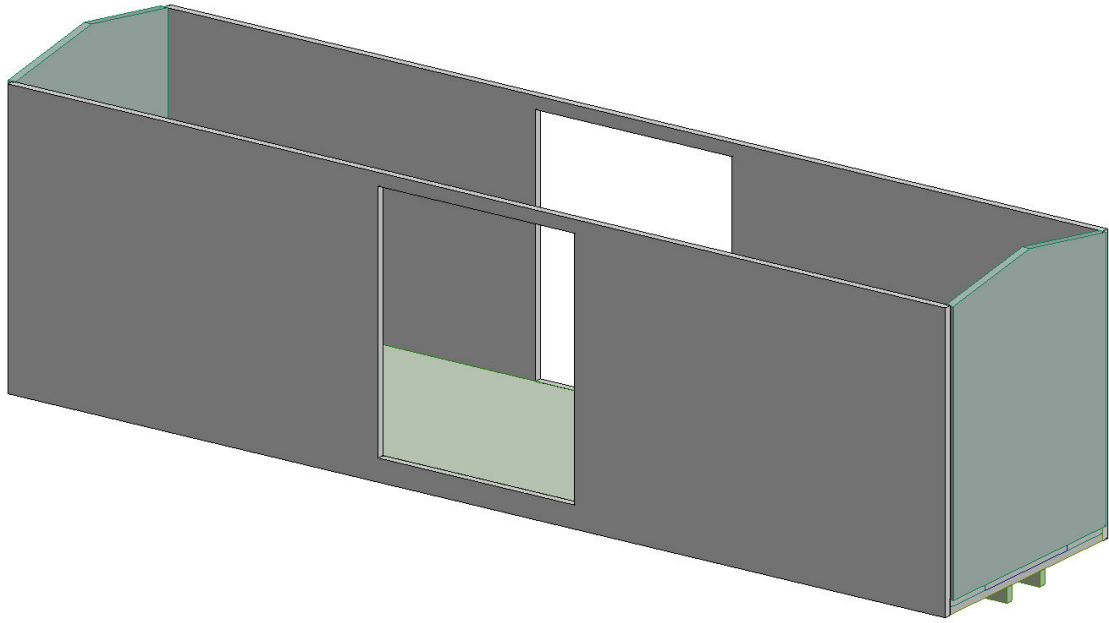
Next, attach the drawbar mounts to the ends. These sit on the shorter sections of underside framing.



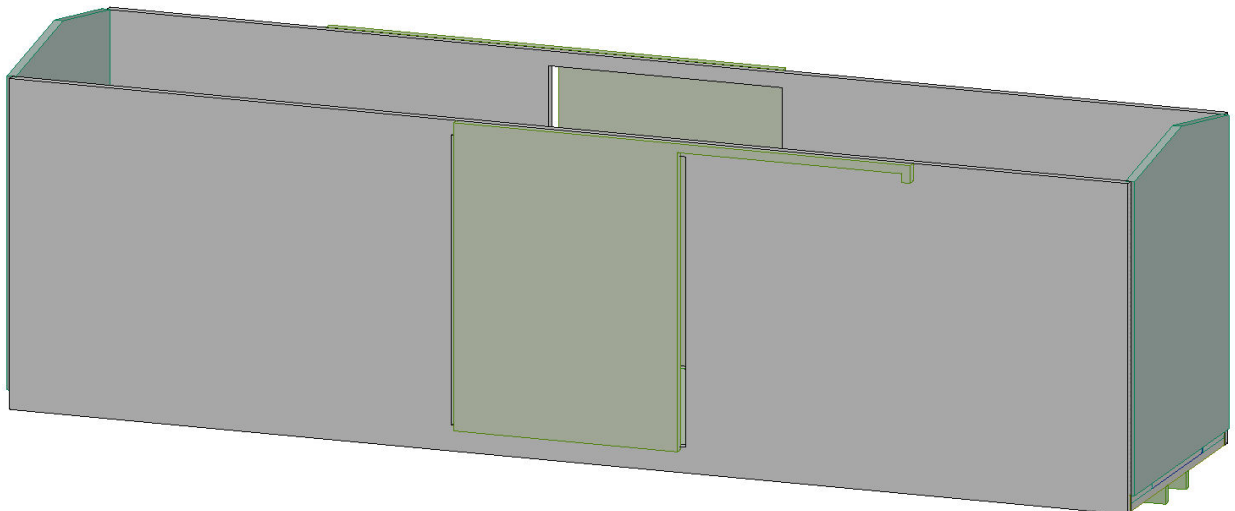
Next, attach the side frames to the model. There are two of these that sit on the outside of the model.



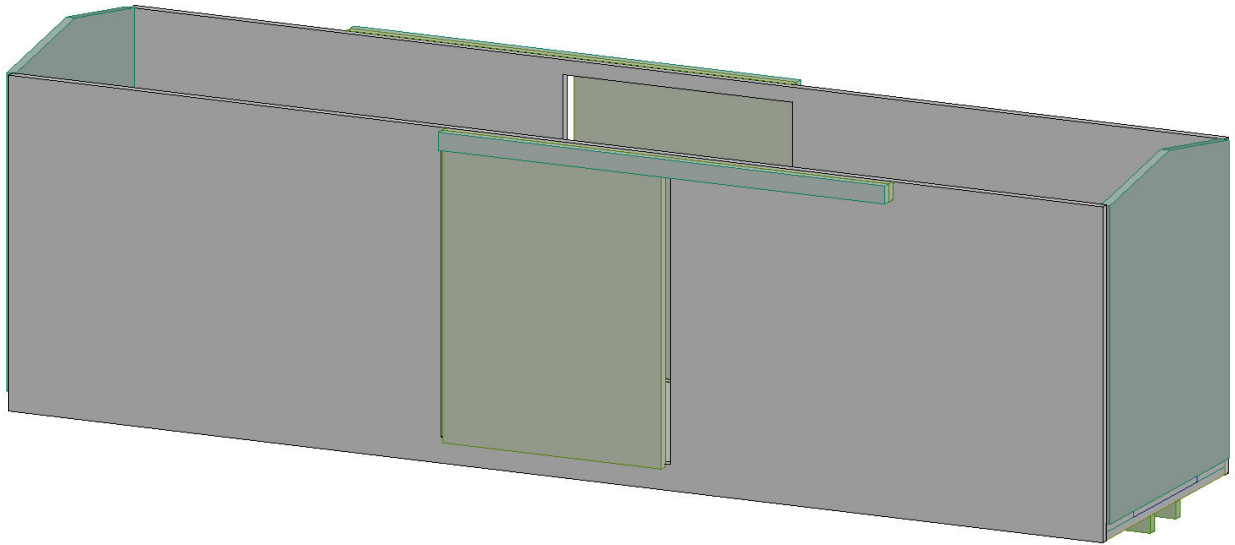
Now it is time to start assembling the box car. Attach the ends and one of the sides to the floor. The sides sit with the bottom of the doors flush with the top of the floor. The ends then match the sides.



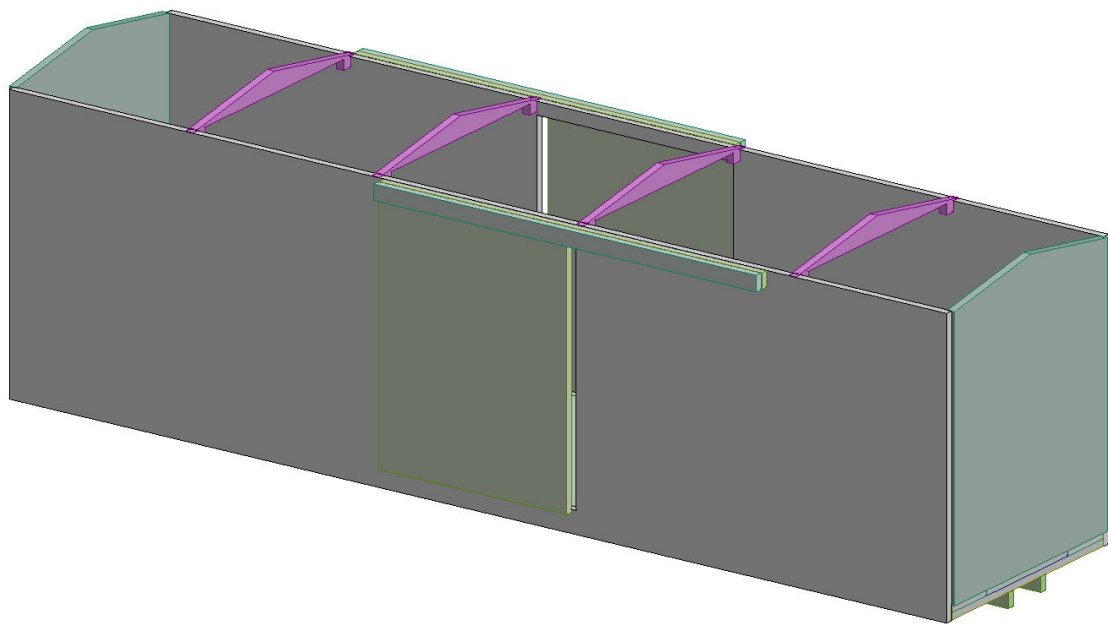
Now attach the second side to complete the basic shell.



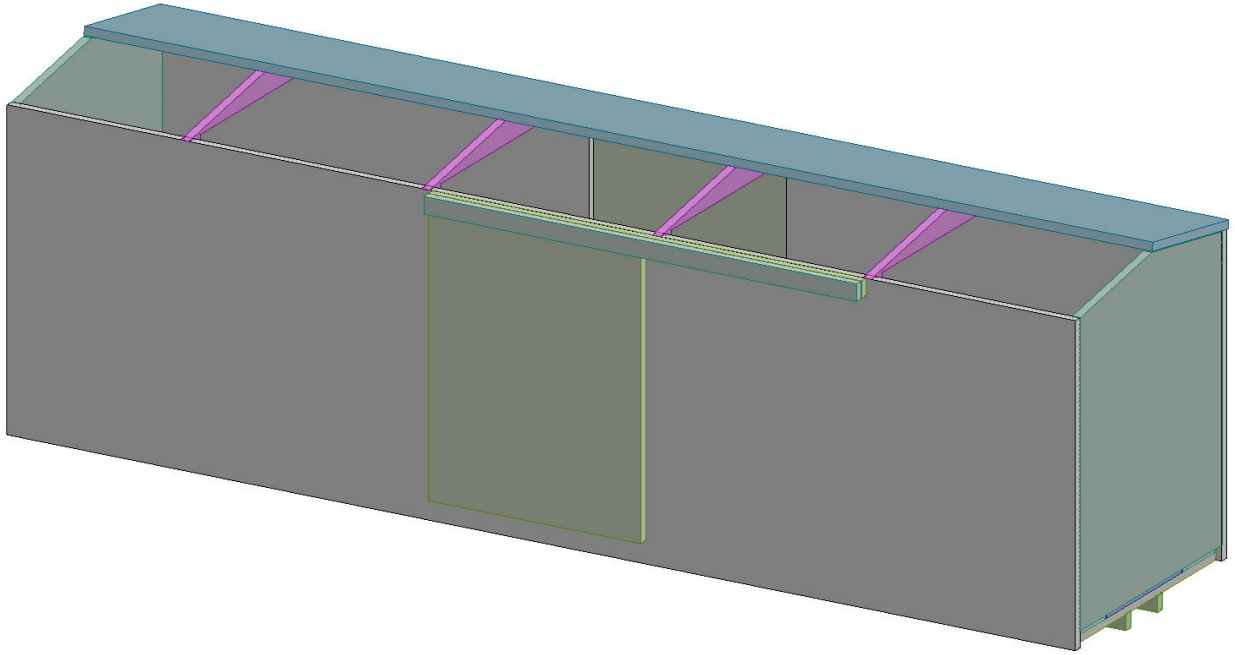
Now it is time to attach the doors. These sit over the openings and are designed to overlap the sides of the door opening.



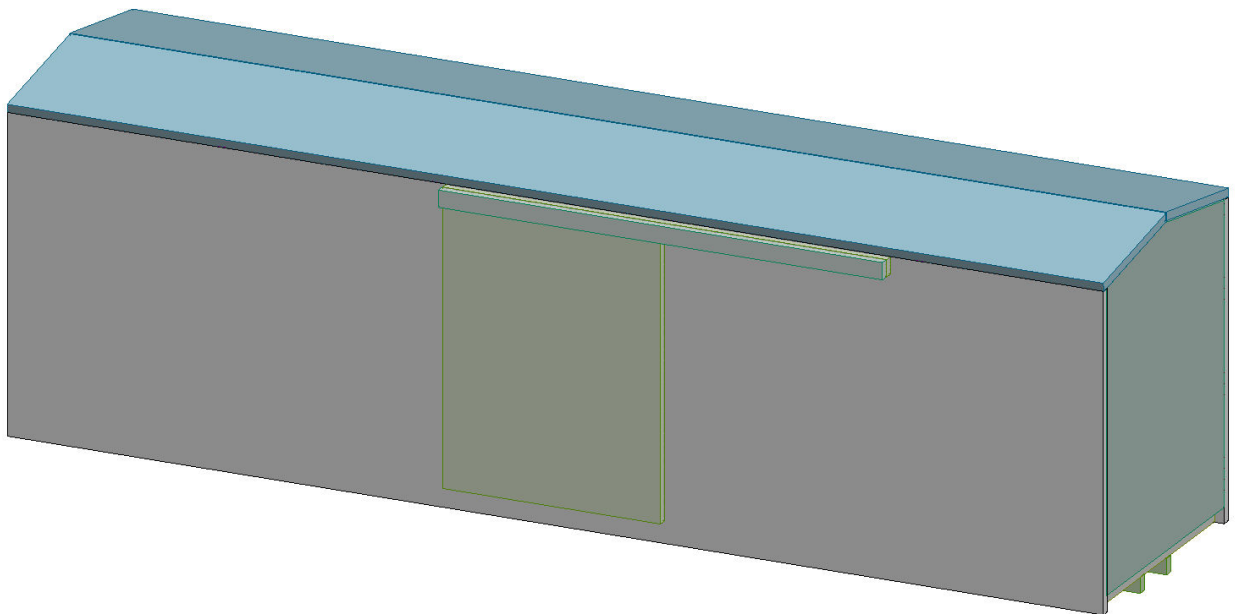
Now add the door runner covers. These sit over the door runner on both sides.



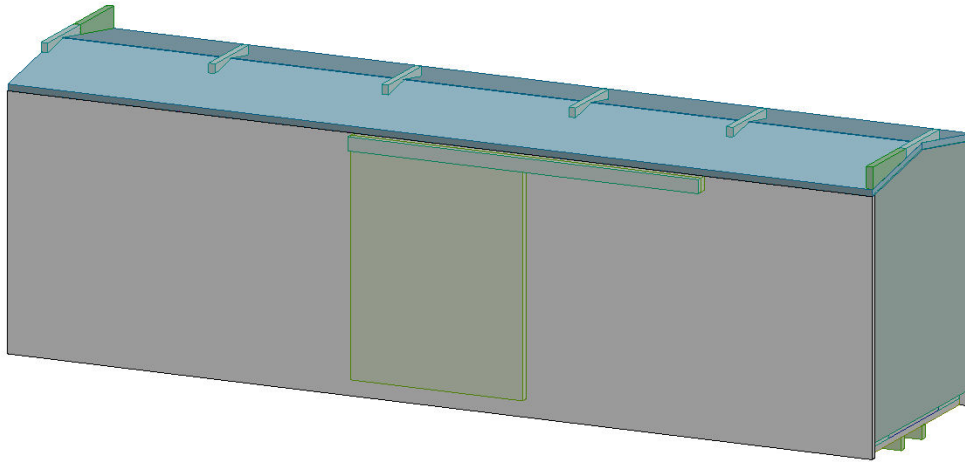
Now it is time to start on the roof. Start by gluing the 4 roof formers in the top of the body shell.



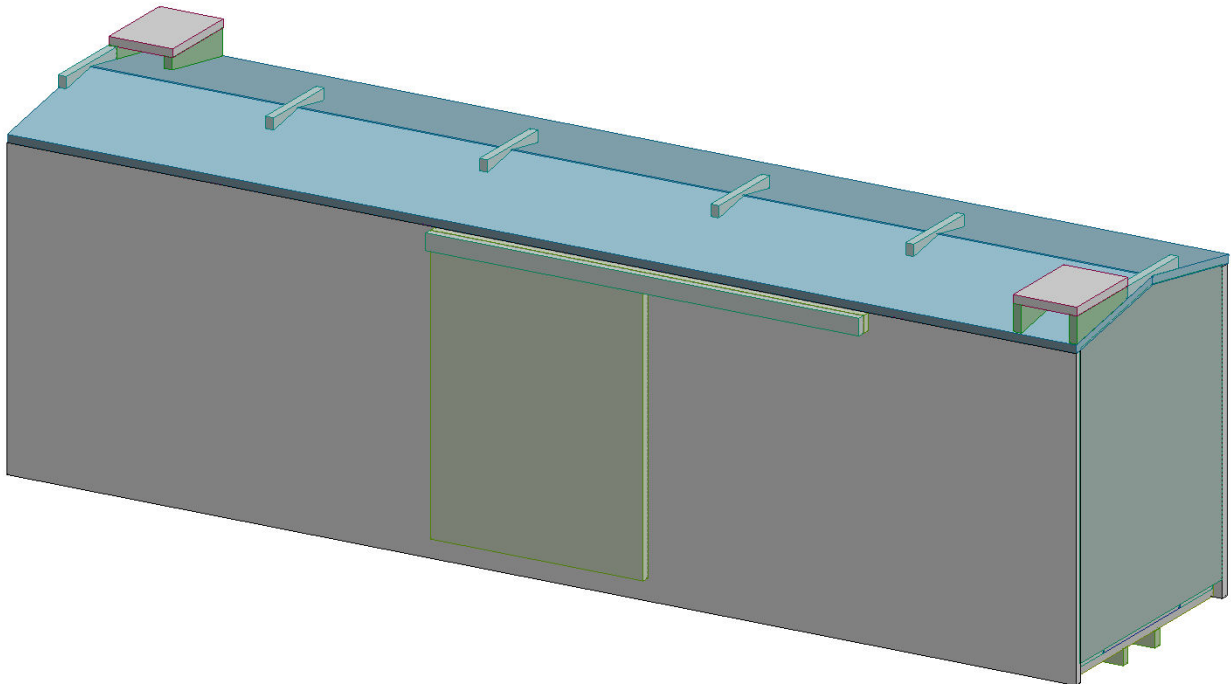
Now it is time to attach the roof. This is formed of separate pieces that cover the roof. We recommend starting with one side before starting on the second.



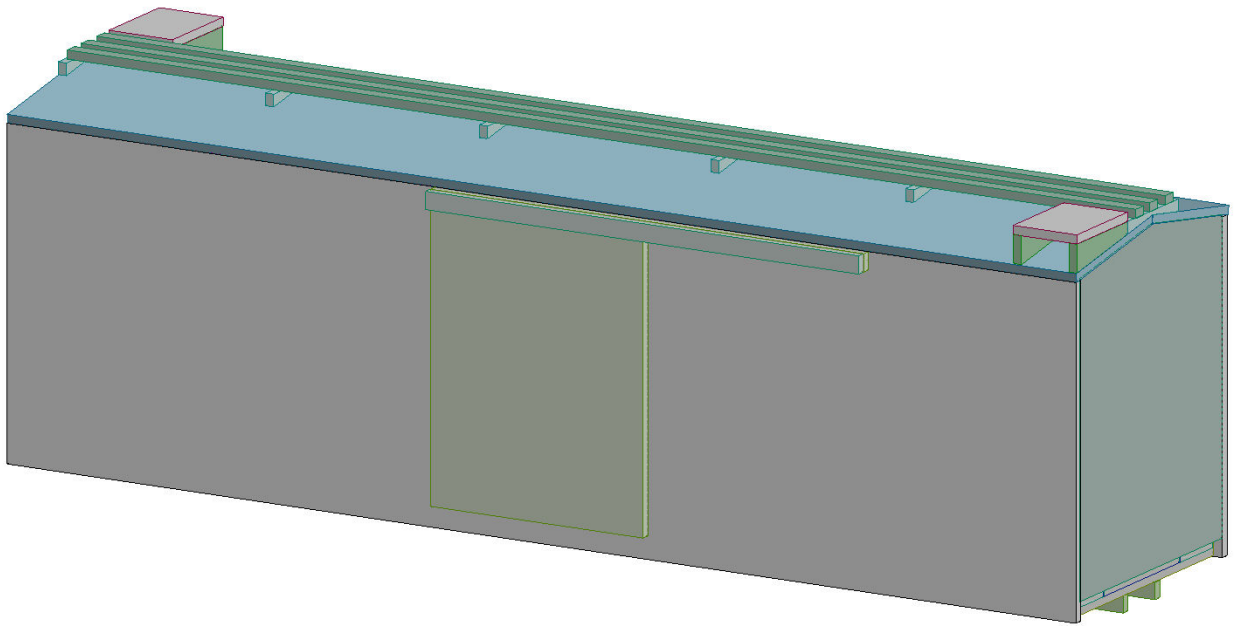
If you haven't already, now is the time to attach the second half of the roof.



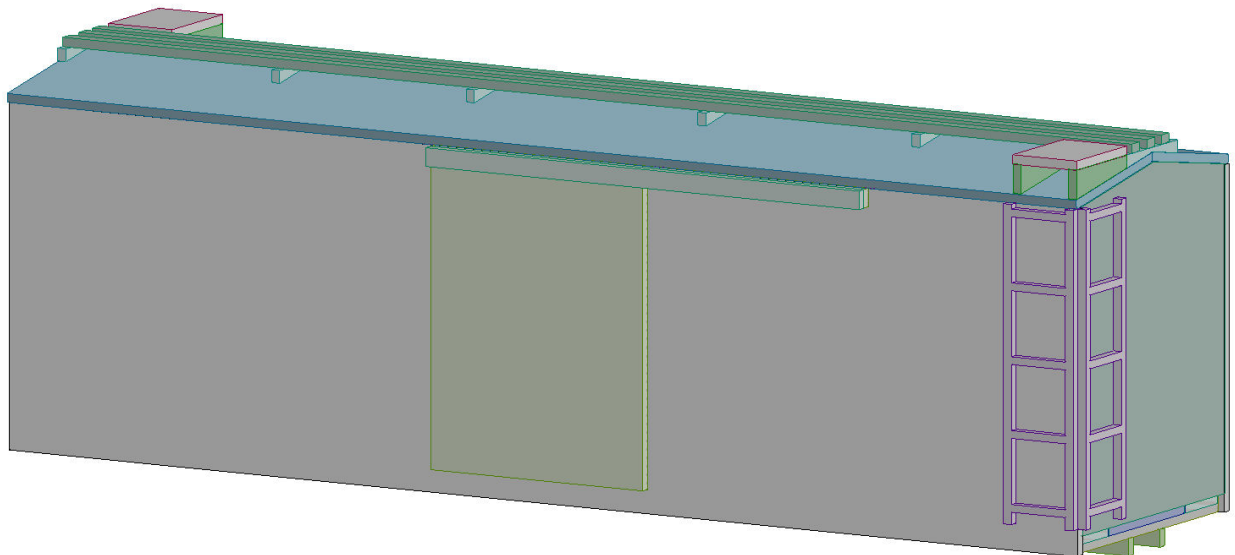
Time for the roof walkway. Attach the uprights to the roof. For the sections leading to the side, only attach the ones on the very end for now.



Now it is time to attach the steps leading to the sides. Glue the second upright and the walkway at the same time to ensure they are the right distance apart.



Now attach the central walkway to the model.



Final step, attach the ladders to the model. These sit with 2 on a corner with one below the Walkway on the side and the other on the end next to it.
Your Model is now complete.



We hope you enjoy your Bowaters Models kit! If you have any questions, don't hesitate to contact us on info@bowatersmodels.co.uk

We thank you for your custom.