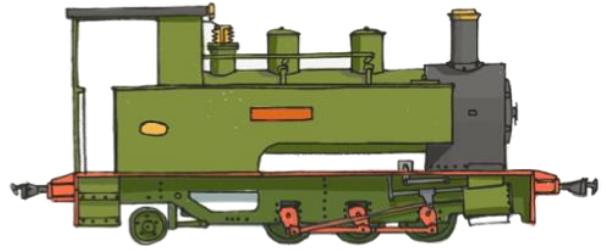


Bowaters MODELS

specialising in distinctive 16mm models



Bowaters Models – BME-009 Instructions



Requires

- Glazing Material

Required Tools

- Fine Sandpaper/Emery paper or boards
- Small Files
- PVA Glue
- Super Glue
- Sharp Craft Knife

Prototype Information

'Upnor Castle' was originally built for the Royal Navy for use on the Chattenden and Upnor Railway in Kent in the mid 1950s. It entered preservation in the early 1960s at the Welshpool and Llanfair Railway before moving to the Ffestiniog Railway in 1968. The FR have rebuilt the engine with a more powerful engine and extending the wheelbase. It is known on the railway as 'Uproar' due to the excessive amount of noise in the cab! It was transferred to the Welsh Highland Railway in 1997 before returning to the FR in 2010. The engine is modelled in its post 2010 rebuild condition.

About the Kit

The kit is a plastic kit comprising of a set of laser cut acrylic parts and 3D printed sections.

Chassis Fitting

This kit is designed for a PDF Models Chassis which is included as part of your kit. This is assembled as per the instructions. Make sure the chassis works in the way you intend it before fitting to the model. Note, this kit is designed for either Manual control using switches (single speed) or using full Radio Control for which space has been left within the model.

Couplings

This kit is designed to make use of the Accucraft Chopper Couplings. These are glued onto the buffer beams using superglue. We strongly recommend using superglue to attach them. Height wise, these should be 25mm from the centre of the coupling plate to the railhead.

Instruction notes

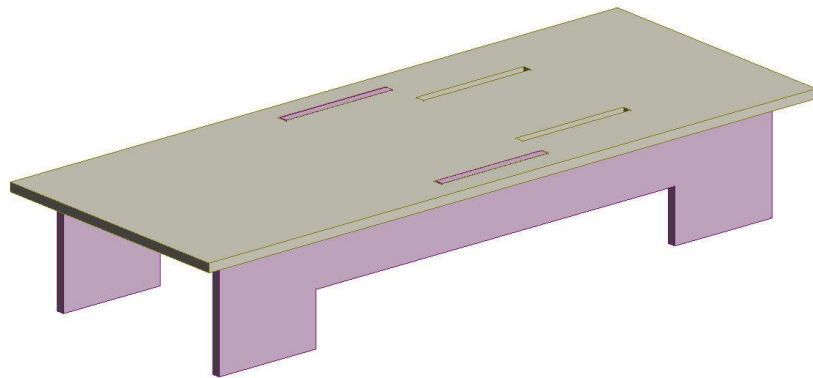
With these instructions, there are images which show various stages of the construction of the kit kits. They are of the digital test build for BME-009 which may not be representative of the kit you have brought. They are for reference purposes only.

Painting

- Current paint scheme – Main Body- Brunswick Green and Black with red lining. Chassis – Red Bufferbeams and Black chassis.

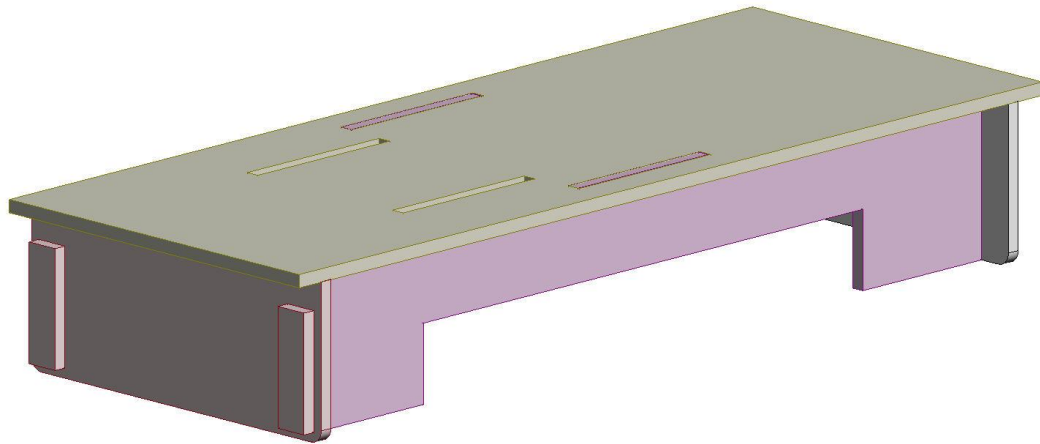
Please Turn over

Please read though these instructions before beginning to assemble your
kit

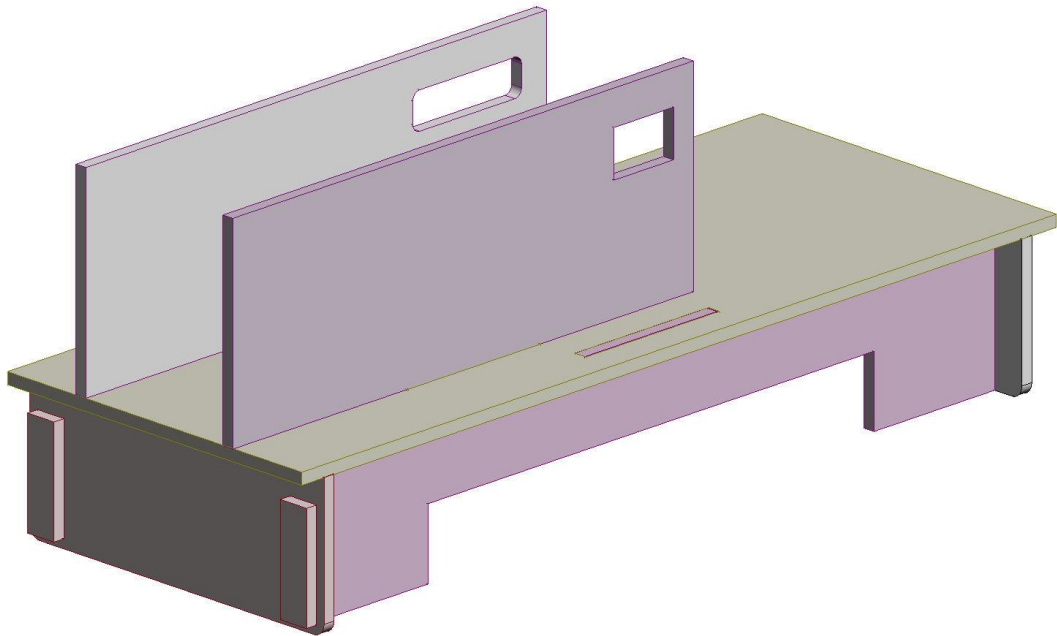


Start off by gluing the chassis side frames onto the floor plate.

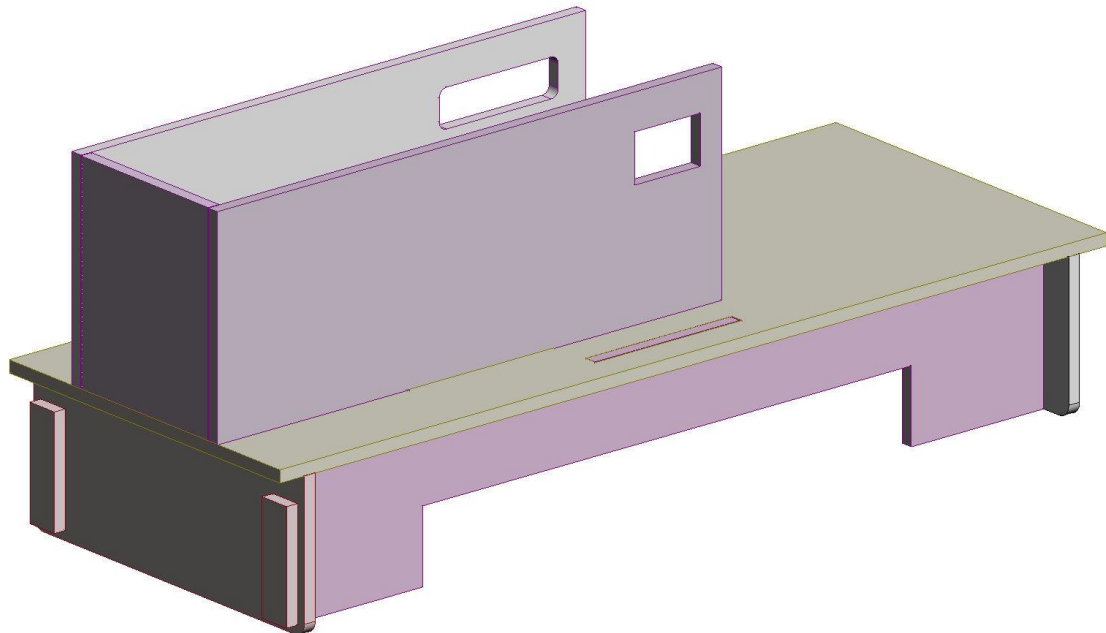
\



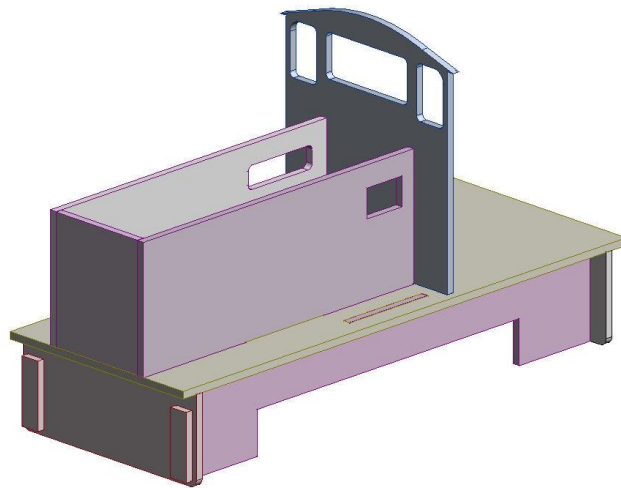
Next, glue on the buffer beams. These sit on either end of the chassis with one having laser engraved markings on it going on the end with the slots on.



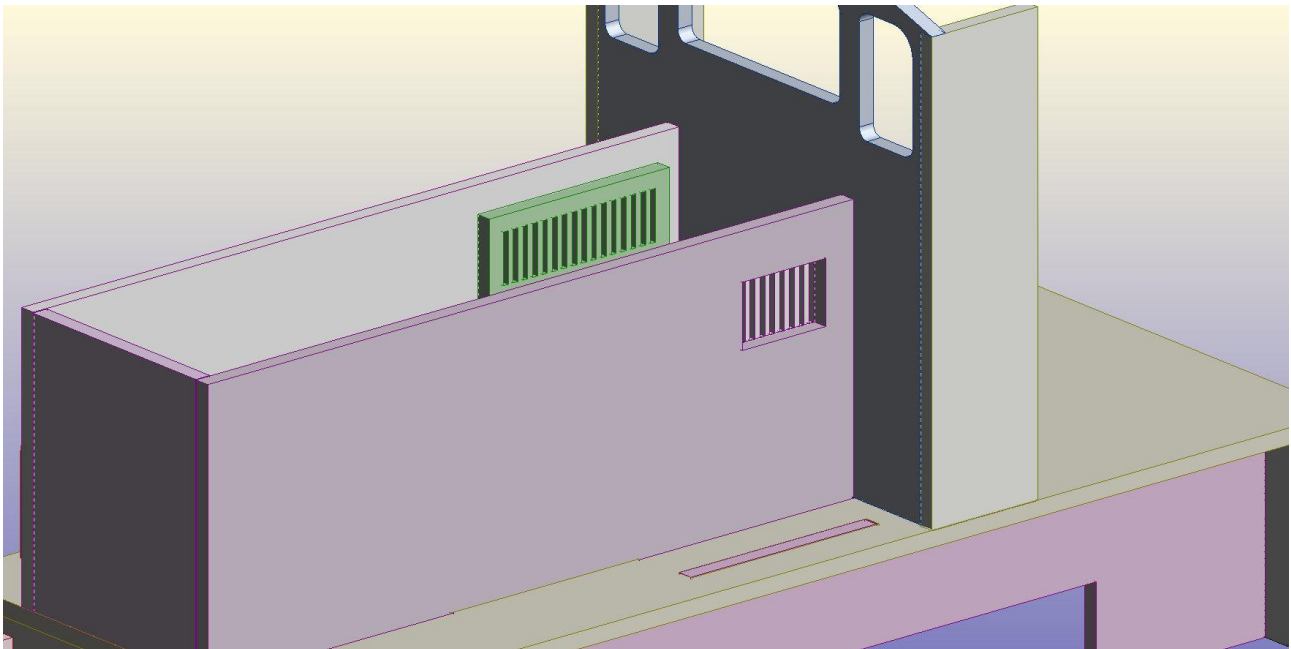
Next glue on the sides of the bonnet. These are handed because of the etched markings on the model.



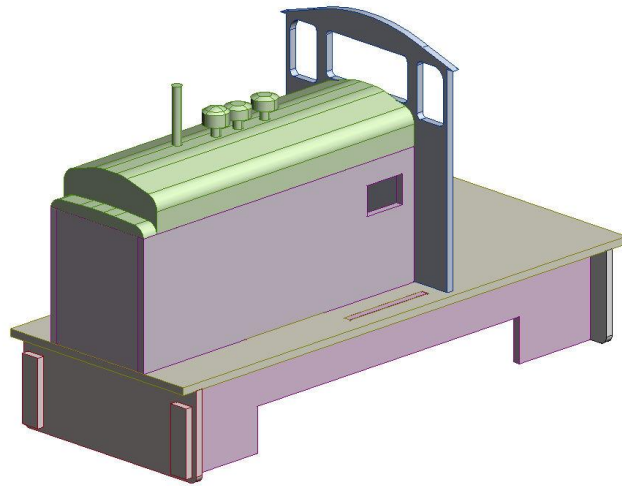
Next, glue on the front of the bonnet. This slots into the front of the bonnet.



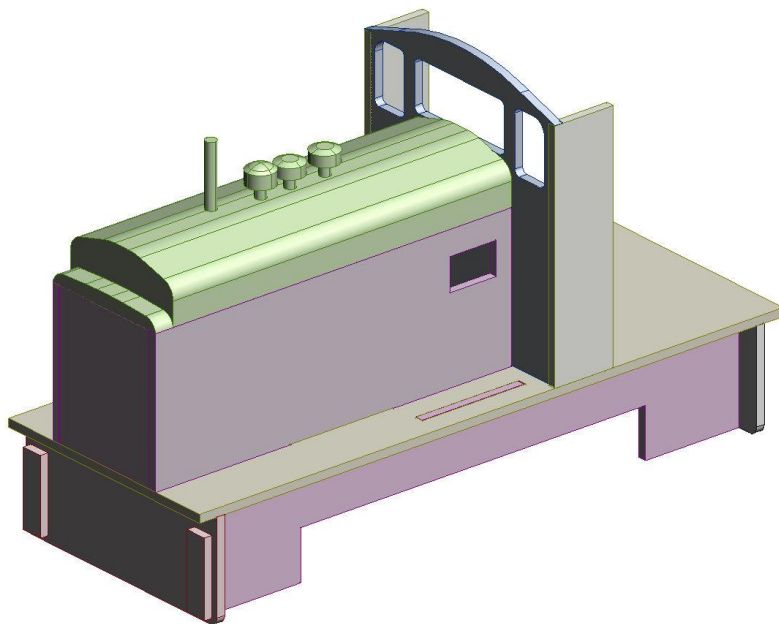
Now glue on the front of the cab.



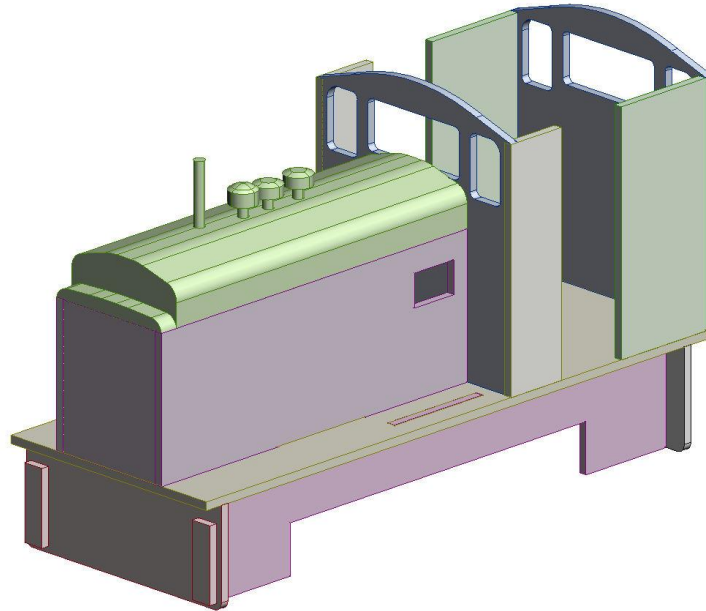
Now is a good time to glue in the grills. These sit on the insides of the bonnet on the relevant sides of the bonnet.



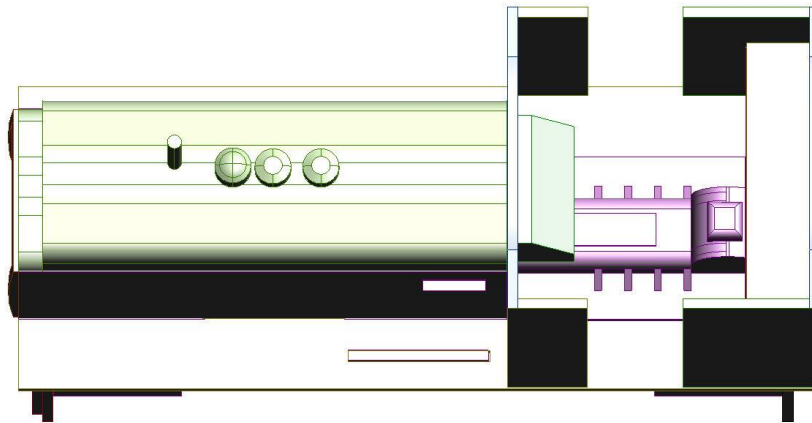
Next, place on the bonnet top which sits over the top of the bonnet. This slots into place and gives access to the batteries when the time is right.



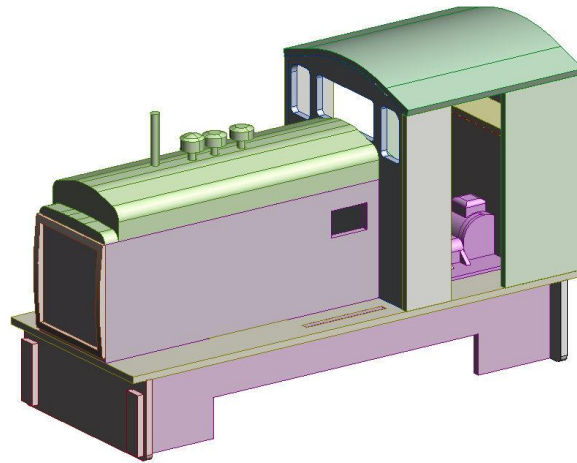
Now start assembling the cab. Glue on the short sides of the cab which sit on the front of the cab.



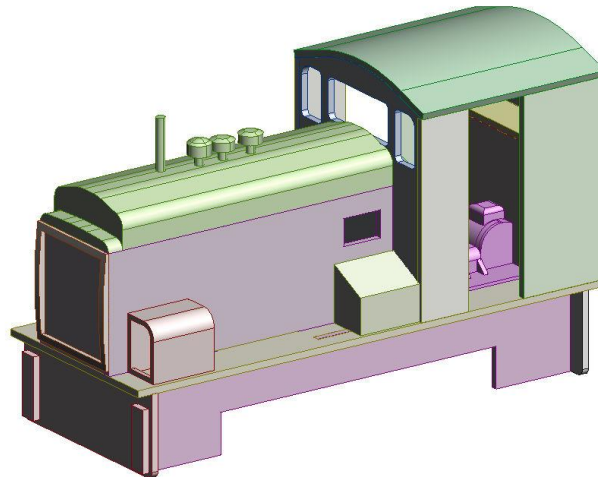
Now glue on the rear of the cab and longer cab sections. These sit parallel with the rear of the chassis.



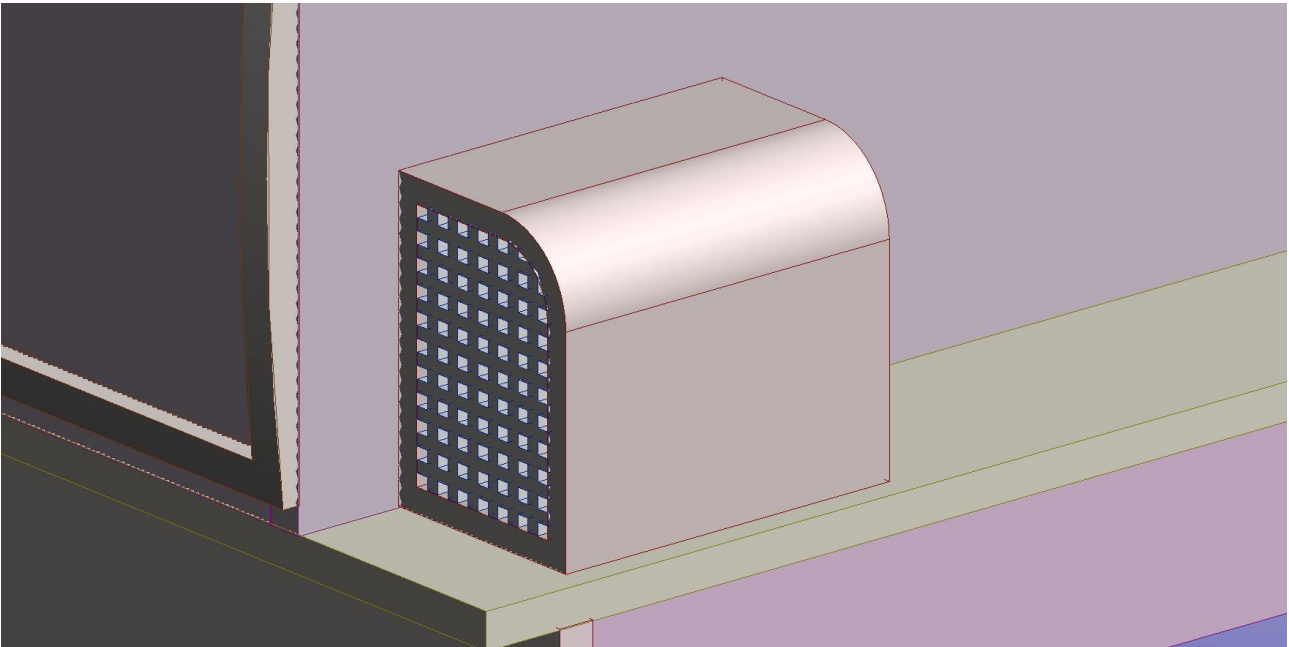
Now it's time to add the interior. The gearbox rests against the front of the cab with the dashboard. The rear shelf slots in between the gearbox and the rear of the cab with the top section being glued on top.



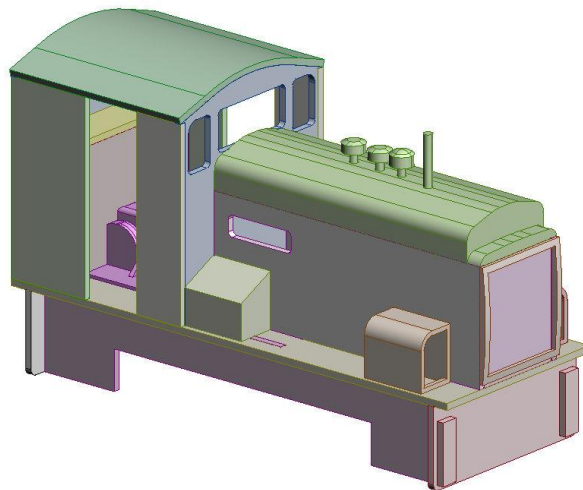
Now glue on the roof. The straight sections go on the flat sections of roof and the thin sections are glued across the top of the roof.



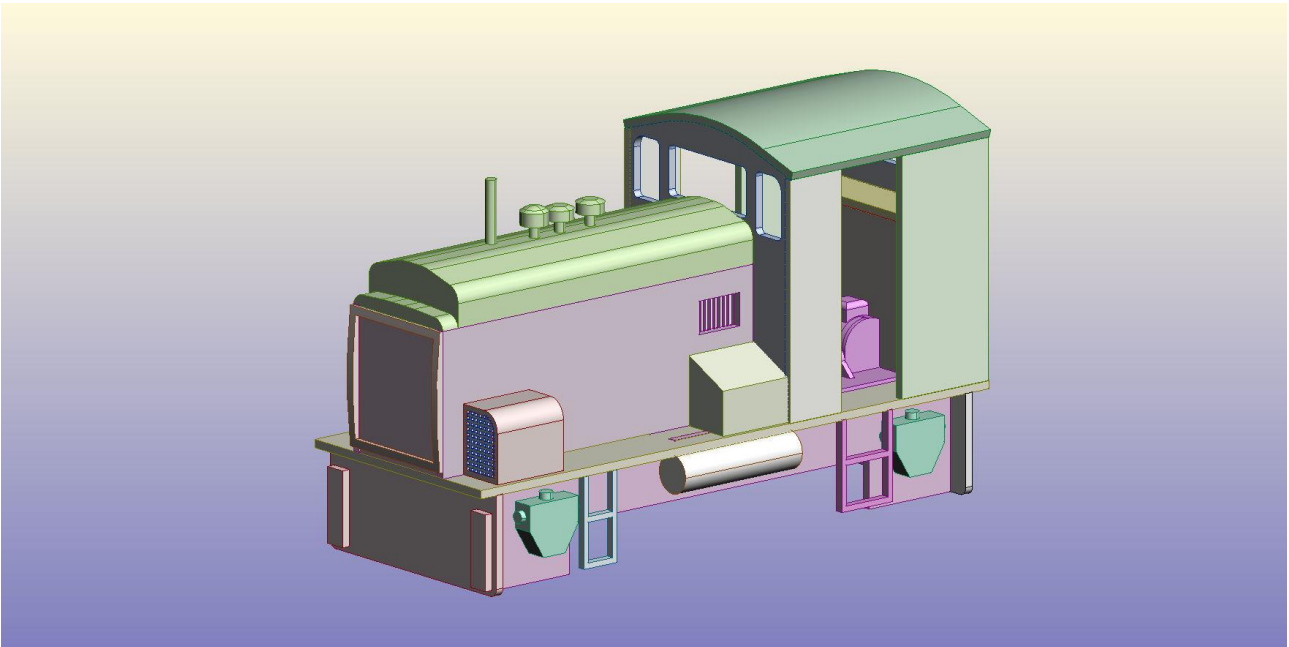
Now glue on the equipment cases. These vary depending on when the engine was operating so its best to reference against images of the engine for the time period you are modelling. We have shown as the engine was operating in the 2010s.



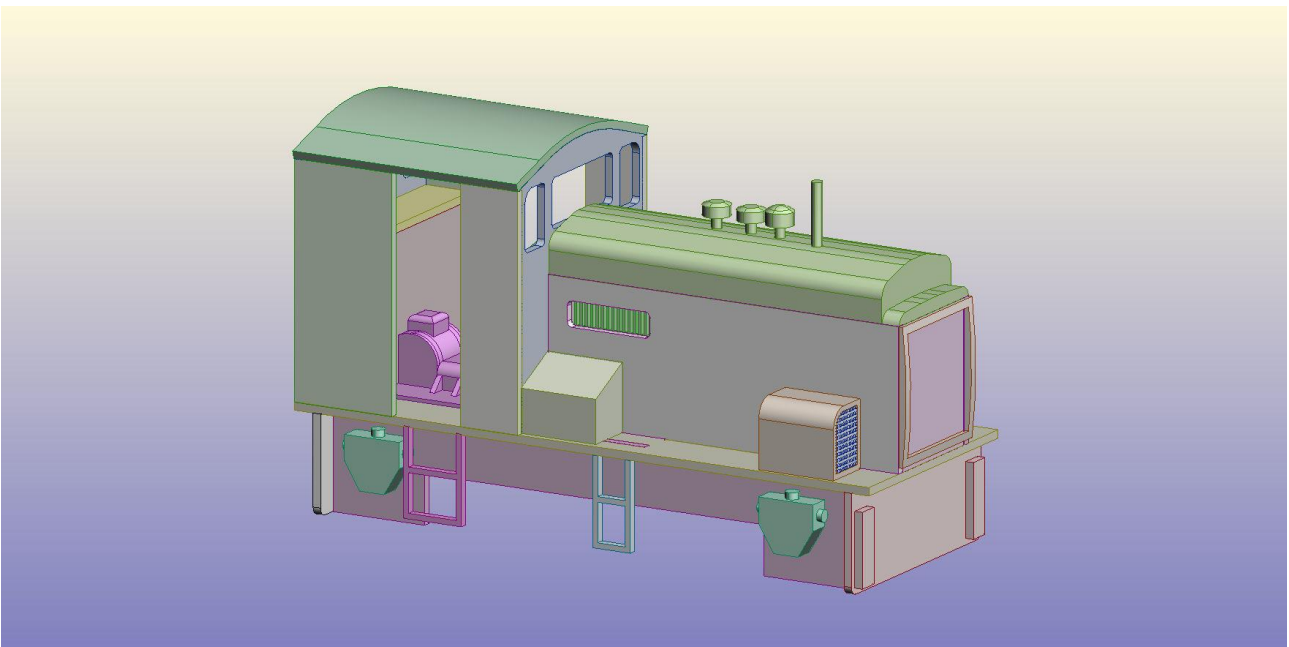
On the fan covers, its best to insert the grills before gluing on the covers. These slot into the gaps on the 3D printed part.



Here we show the right hand side. Note the different positioning of the fan cover compared to the left hand side.



Now glue on the sandboxes and steps onto the model referencing against the real engine. On the left hand side, there is a vacuum tank which is positioned in the middle of the frames.



Note the different positioning on the right hand side.

We hope you enjoy your Bowaters Models kit! If you have any questions, don't hesitate to contact us on info@bowatersmodels.co.uk

We thank you for your custom.

Chassis Instructions



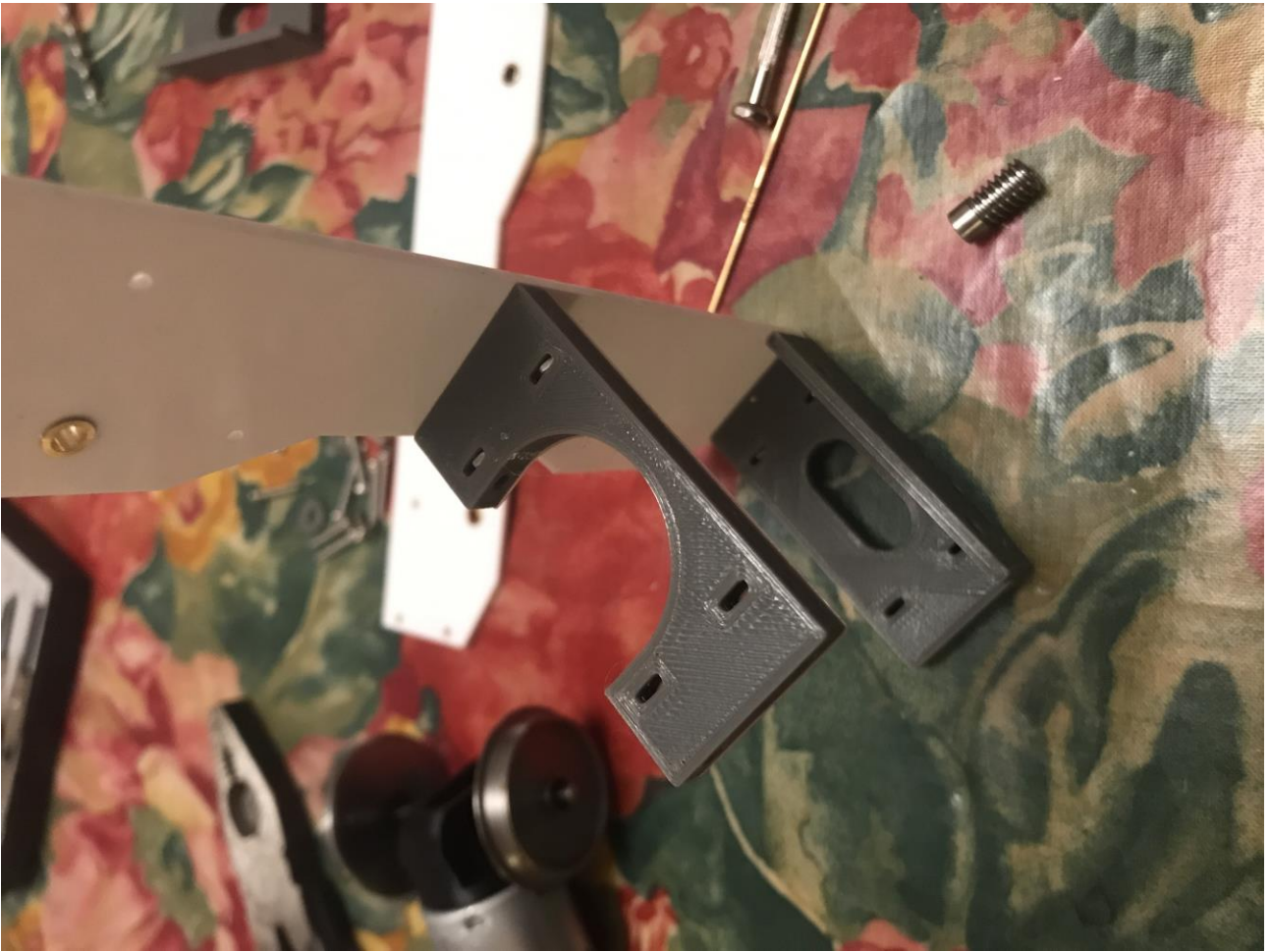
Start by laying out all the chassis parts to ensure you have everything.



Start by placing the bearings with the chassis sides. You may need to open these out using a 4mm drill bit.



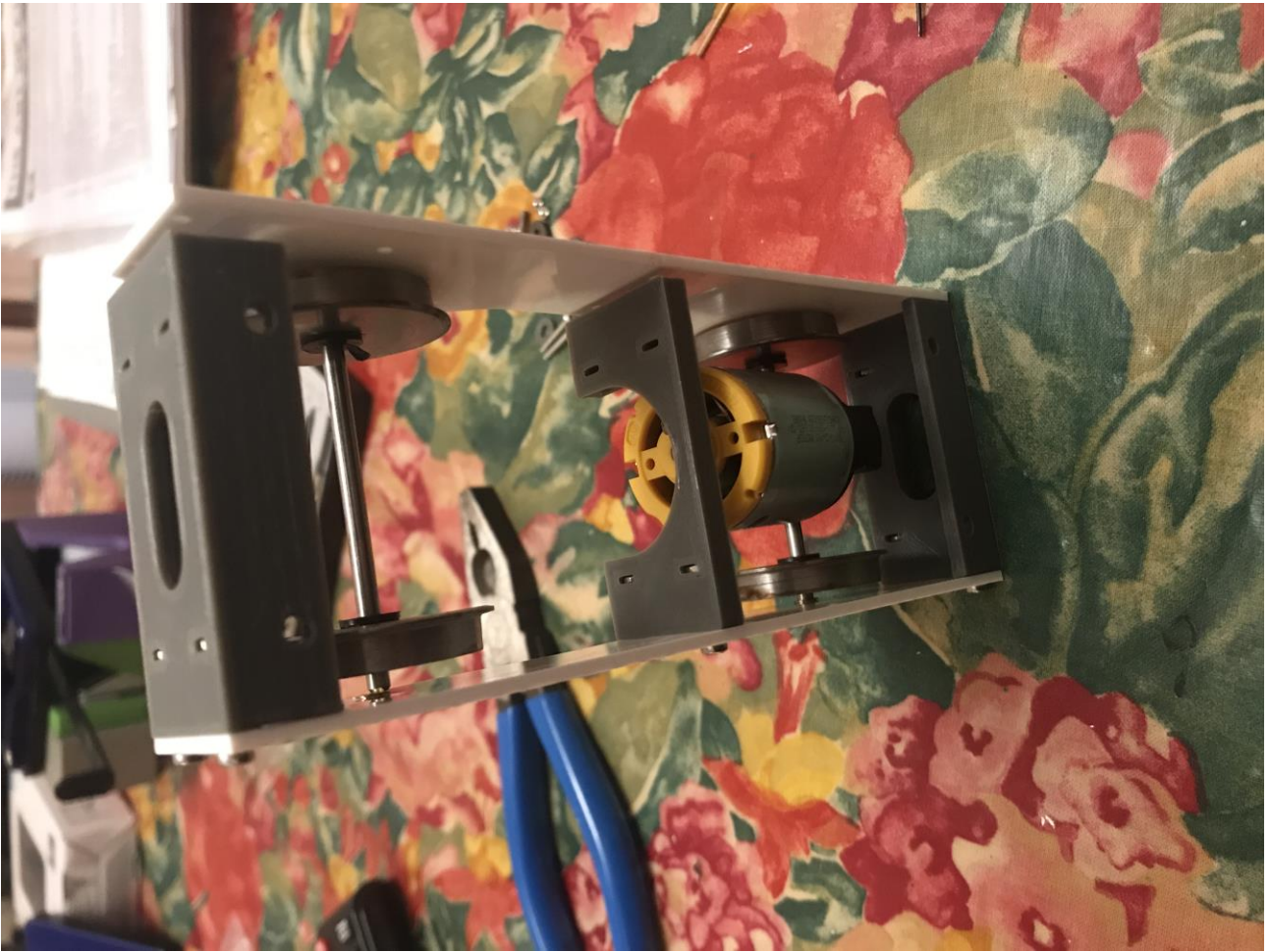
Next assemble the driving wheel set. The cog goes into the middle of the chassis inside the gearbox housing. The axle will need cutting down if running on 32mm gauge (45mm gauge version shown). This should be done once the chassis has been test assembled to know you have the right dimensions.



Start inserting the chassis spacers starting at one end and working your way along the chassis.



All 3 spacers shown on the chassis.

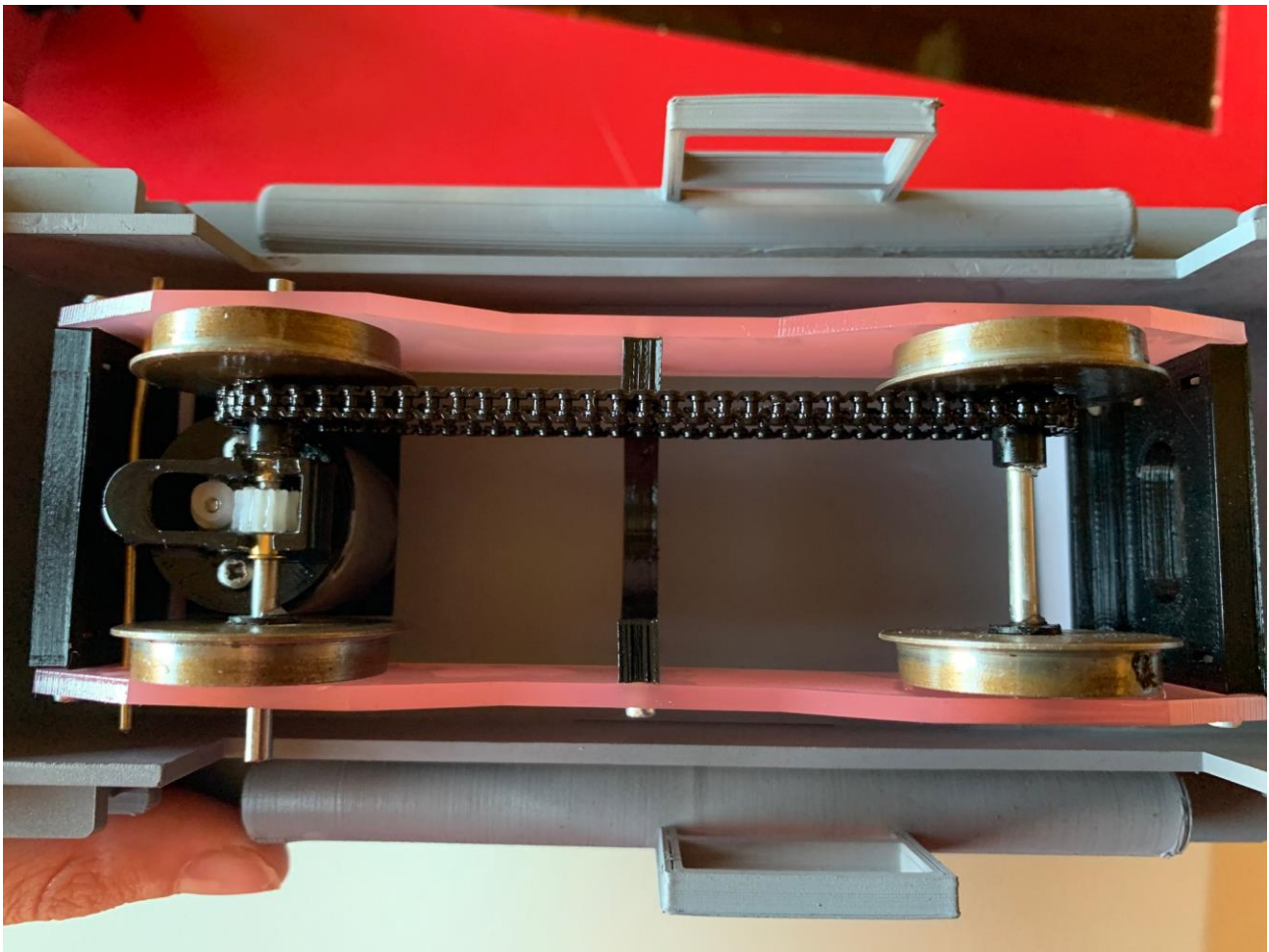


Now insert the wheelsets and the other chassis plate so you have a complete chassis.



Now insert the retaining wire so your motor is held in place and won't move. Your chassis is now complete except for wiring. On your models, the motor will be upright rather than being horizontal.

Please turn over for the 4 wheel drive set up.



For the 4 wheel drive system, there is a cog on each wheel which sits on the inside of the wheels between the gears and one of the wheels. The chain runs between the two wheel sets and should be tight for maximum haulage ability.