

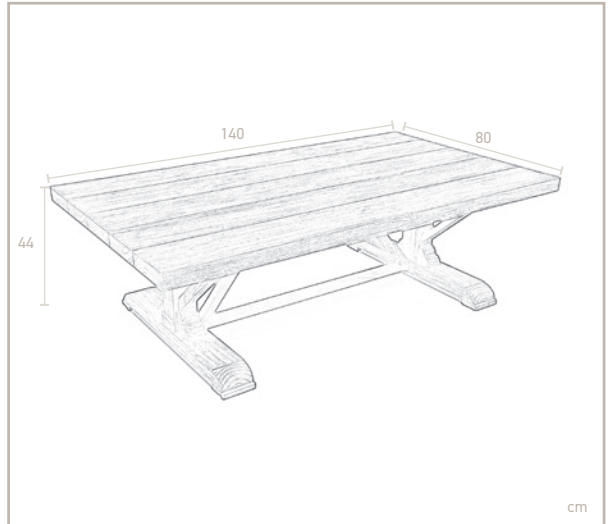
HAMPTON OUTDOOR COFFEE TABLE TEAK

Finished with a grey wash, these tables are crafted from sustainable kiln-dried teak and can be used outdoors.

More information:

- Variation of colour possible
- Bolts are galvanised to inhibit rust
- One year warranty offered on teak tables, which covers materials & construction, but not hairline cracks or normal weathering
- To clean blot with warm water and dish soap on a cloth. Do not scrub or use aggressive soap. Do not use high pressure hose
- Made in Indonesia

FURN001867



Care Instructions & Teak Characteristics

Crafted from teak wood, each piece of furniture is natural and unique. Teak is a deciduous hardwood tree and this type of wood is dense, stable and resistant to decay.

Each piece of teak outdoor furniture has its own character and structure. Inlays can be used to fill up minor imperfections. The addition of these inlays add character and interest and assure that each piece is one of a kind.

As it is a natural product, teak can over time, develop cracks (especially in the end grain) but also along the planks. This will be exacerbated by positioning the furniture in full weather. These are cosmetic only and will not affect the strength of your furniture.

You may notice that after the furniture has been outside for a day or two, the timber may feel slightly rougher than when it was first delivered. This is normal.

Our teak has been very finely finished, but when it is exposed to rain or even dew, the fibres on the surface naturally will swell up and lift. After two or three months this grain lift settles down. With furniture exposed to the elements, we recommend that objects are not placed on the surface for prolonged periods. This is to avoid blackening of the area or mould from forming as the timber needs to breathe.

Teak that is left untreated will weather to a grey colour over time. This greying process is called weathering.

If you choose to leave your furniture untreated, keep in mind that anything spilt on the table which has oil, fat or acid (tomato sauce) in it can soak into the timber and leave a stain. Most of these marks will be taken care of by the sun and rain over time. However, consider using a table cloth when sitting down to an alfresco meal with family and friends to help avoid stains.

Protecting Teak Furniture

We recommend using Intergrain Exterior Ultra Clear (Matt). This is a water base sealer that can be applied directly over the grey wash. It is marine grade and will provide some protection against weather and UV to the timber.

Apply strictly as per the instructions on the Intergrain tin. This product will give the furniture a slightly darker colour. Timber should not be treated when wet or in the full midday sun.

To maintain your finish reapply annually or as needed. Sealed furniture which is fully exposed to the sun and rain will need more frequent attention than furniture in a protected area. Furniture completely undercover will only need reapplication every 2-3 years. As with all timber maintenance, it is better to apply a fresh coat frequently than to leave for so long that serious preparation is needed before reapplying.