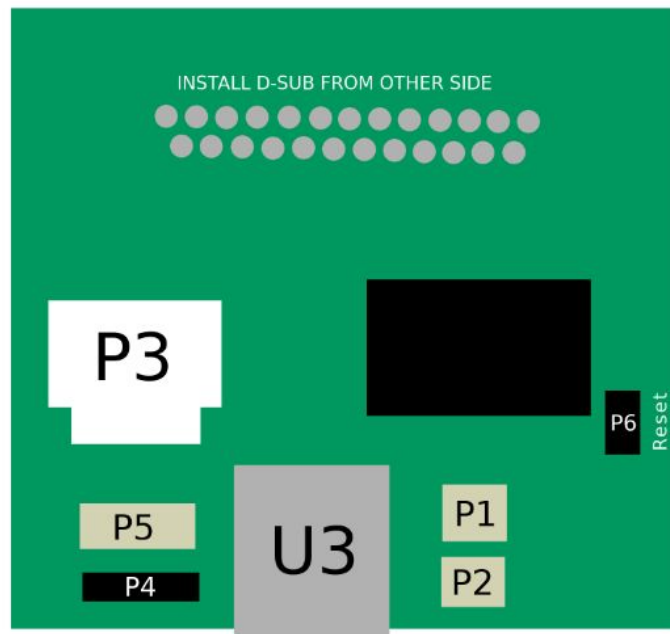




# Interface Board Data Sheet

Label	Use	Connector Type	Digikey Part #	Current Rating
P1	16V Power	Molex 2 POS	WM7662CT-ND	2.5A
P2	5V Power	Molex 2 POS	WM7662CT-ND	1.0A
P3	16V Power	JST 2 POS	455-2361-ND	20.0A
P4	UART Comms <sup>1</sup>	Header 5 POS	---	---
P5	UART Comms	Molex 5 POS	---	---
P6	Reset	Header 2 POS	---	---
U1	DC Step down	N/A	102-1715-ND	1.0A
U2	D-Sub 25pin <sup>2</sup>	Custom	---	---
U3	5V Power <sup>3</sup>	USB Type A	---	---



<sup>1</sup> Only 3 of the 5 pins are used

<sup>2</sup> See separate datasheet for pinout

<sup>3</sup> Not used for communication, only used to access 5V Power