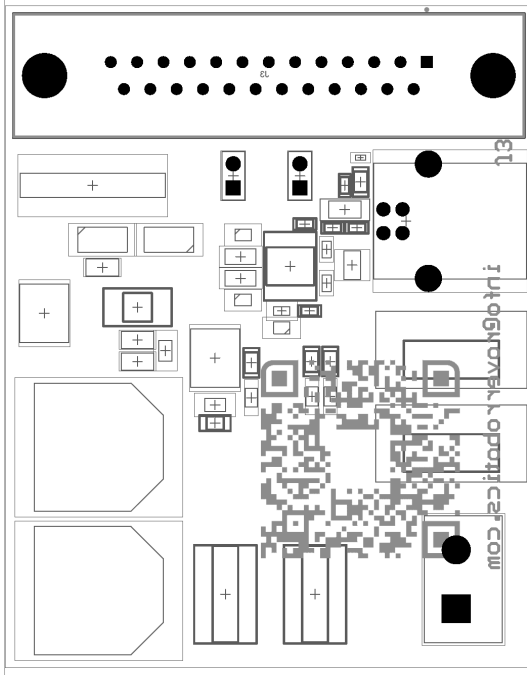




## Interface Board V3 Data Sheet, Rev F

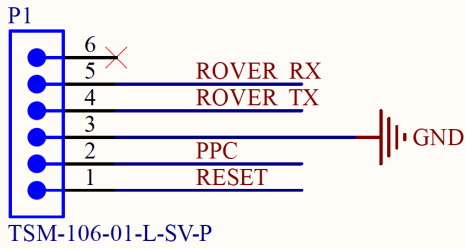
### 100W Max

Label	Use	Connector Type	Digikey PN	Current Rating
P1	Programming Header	TSM-106-01-L-SV-P	SAM10805-ND	
P2	USB	68000-102HLF	609-3500-ND	
P3	Reset	68000-102HLF	609-3500-ND	
J1	CAN	2-1445053-2	A33199TR-ND	
J2	Payload Power (12V - 16.8V)	B02P-VL	455-2361-ND	20A
J3	DB25	I-338311-2		
J4	Estop	2-1445053-2	A33199TR-ND	
J5	Estop Selector	TSM-104-01-L-SV-P-TR	SAM13287TR-ND	
J6	USB-A	61729-1011BLF	609-3657-ND	
J7	Optional Features	TSM-104-01-L-SV-P-TR	SAM13287TR-ND	

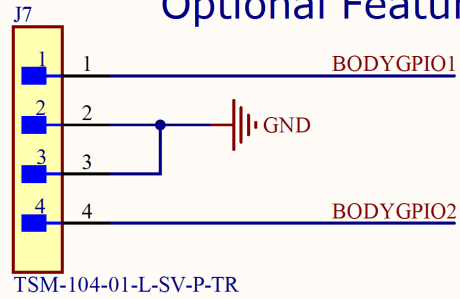




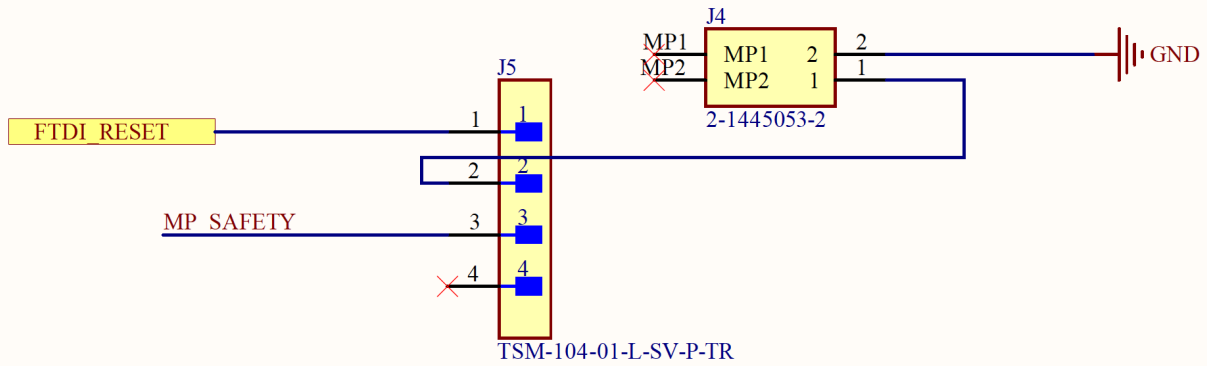
## Programming Header



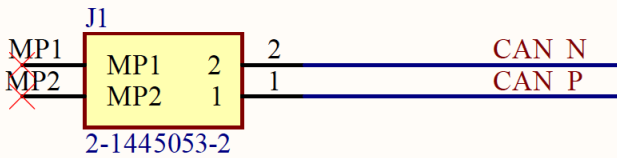
## Optional Features



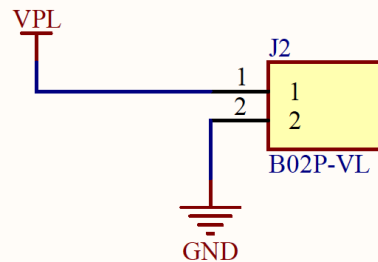
## Estop and Estop Selector



## CAN

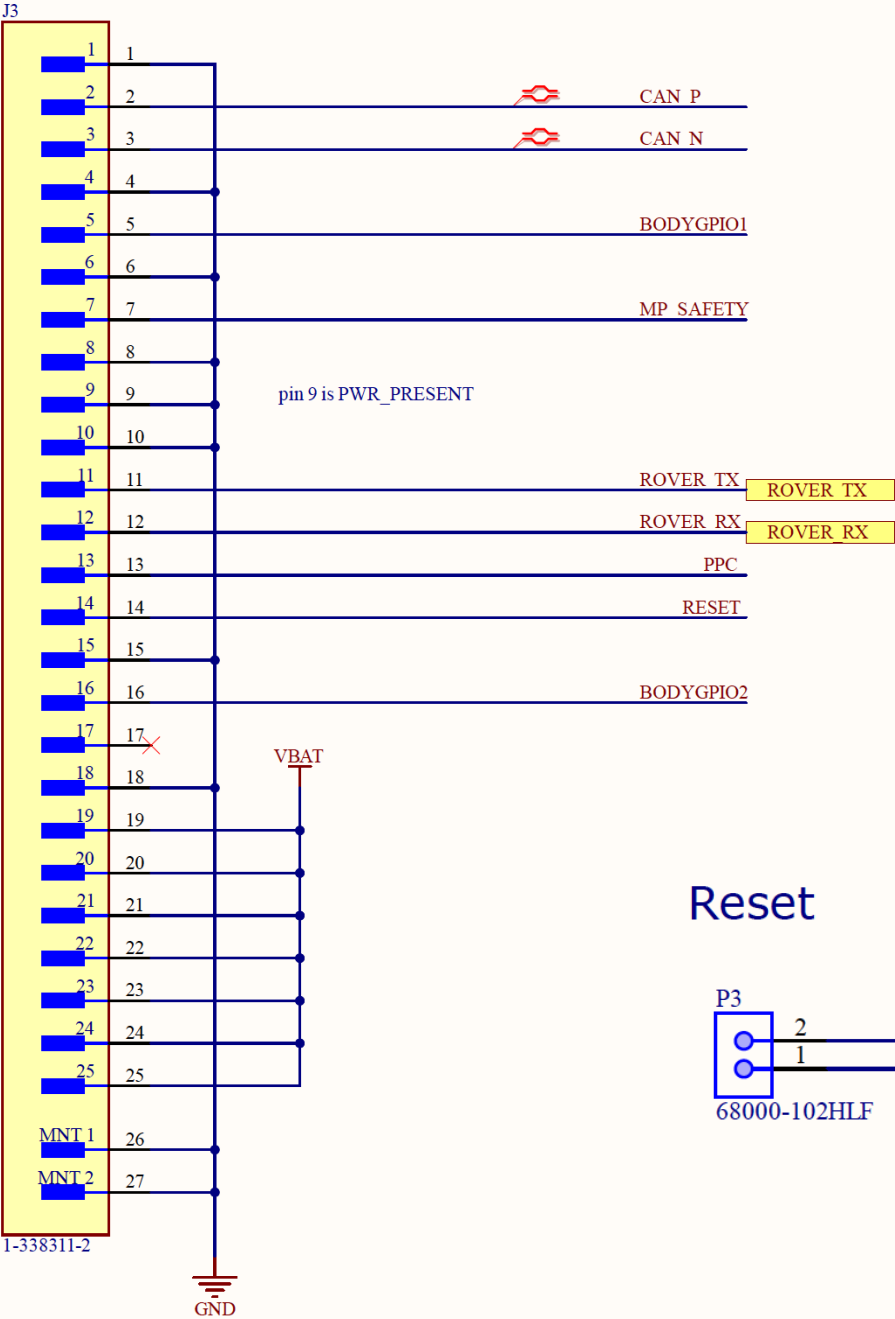


## Payload Power

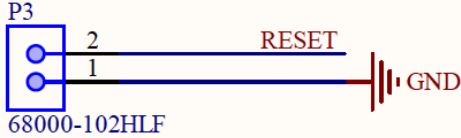


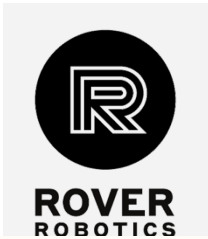


# DB25



# Reset





# USB

