



Thank you for purchasing Figment Technology Carbon Fiber Side Skirt Inserts! We hope you and your car enjoy them! For best results, please follow these installation instructions. Working safely is our expectation and your responsibility.

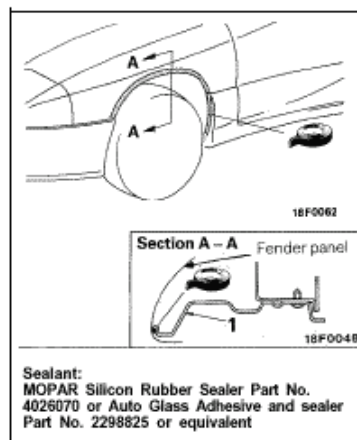
Tools required:

- #2 Phillips screwdriver
- 8mm wrench
- 8mm socket (deep)
- 10mm socket
- 12mm socket
- Socket ratchet with 3" and 6" extensions
- Pliers
- Jack
- Jackstands

Optional materials:

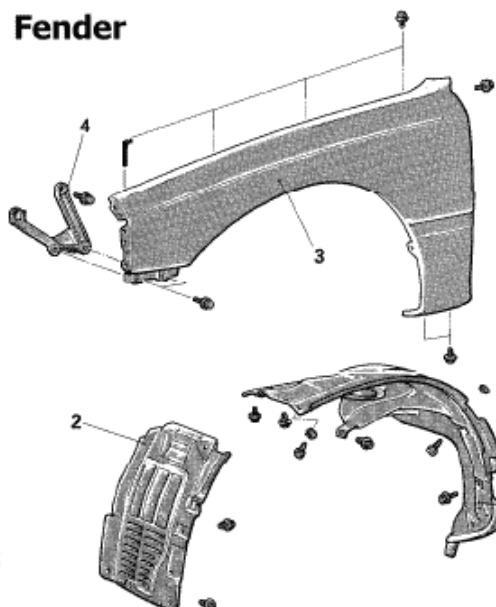
- [3M General Purpose Adhesive Cleaner Part No. 051135-08984](#)
- [3M Scotch-Mount Double-Coated Acrylic Foam Tape Part No. 051131-06384](#)

1. With the car properly supported and front wheels removed, remove the front splash shields by removing 3 tapping screws, 2 10mm bolts, and 5 plastic screw-clips .

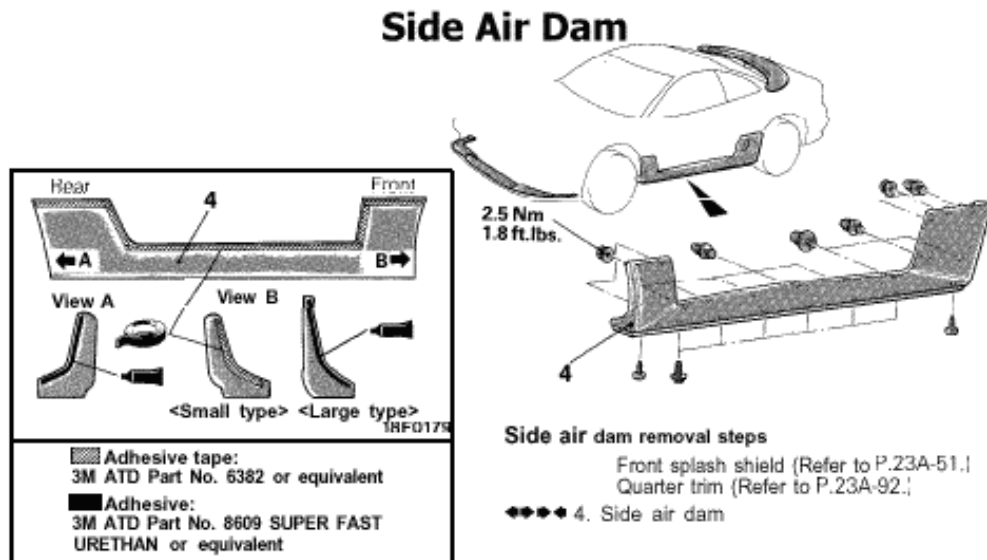


Removal steps

1. Front splash shield
Side airdam (Refer to P.23A-85.)
2. Front splash shield
Front bumper (Refer to P.23A-40.)
3. Front fender panel
4. Front fender bracket



2. With the splash shield now removed, remove one 8mm nut from behind the front of the side skirts.
3. Remove the rear seats.
4. Remove the interior rear seat lower side trim panels.
5. With the trim removed, remove the now exposed two 8mm nuts that attach each side skirt to the body.
6. Remove the remainder of screws and bolts from the side skirts (side air dam).



7. Remove the three Phillips screws attaching the oem side skirt insert to the side skirts.
8. Install the carbon fiber side skirt inserts to the side skirts.
9. If necessary, remove the old adhesive sealant on the side skirts with 3M General Purpose Adhesive Cleaner Part No. 051135-08984, and install new adhesive sealant 3M Scotch-Mount Double-Coated Acrylic Foam Tape Part No. 051131-06384.
10. Reverse these steps to reinstall the side skirts. Torque the three 8mm nuts to 21 in-lb.

For technical support, please contact us at: support@3000GTStealthSolutions.com

Thank you for being a part of the 3S platform!

Jay Belknap

