



2017-2021 X3 Dash Cluster Reflash Bundle (Non 2021 RR Models)

INCLUDED PARTS

| |
|---------------------------------------|
| (1) AFR Module with Hardware |
| (1) Belt Temp Module with Hardware |
| (1) Can Am Diagnostic Port Replicator |
| (1) Can Am to Belt Temp Cable |
| (1) Code Shooter to RJ45 Cable |
| (1) Can Am to CAN Lambda Cable |

REQUIRED TOOLS

| |
|-------------------------------|
| Unibit (Step Bit) 1 1/4" |
| 1/2" Drill Bit |
| Push Dart Tool |
| T-40 Torx Socket |
| Sider Cutters |
| Welder (02 Bung) |
| Loctite/ Anti-Seize/ Silicone |
| Velcro |
| Rubber Gromet (1-1/4") |
| Zip Ties |



DIAGNOSTIC PORT REPLICATOR



AFR MODULE



RAZORBACK BELT TEMP MODULE



PNP AFR HARNESS



Contents:

Product and Images.....1
Notes on Dash Flash.....2
Dash Flash Boost Set Up.....3
Dash Flash AFR Set Up.....4-5
Dash Flash Belt Temperature Set Up.....5-6
Liability Statement.....7

NOTE: 2017-2019 dashes need to be sent into Evolution Powersports to be reflashed. CodeShooter can only reflash dash's 2020+ Can Am models. (Non 2021 RR)

NOTE: The EVP Code Shooter App allows you to display live data of Air/Fuel Ratio, Belt Temperature and Boost on your mobile device. Optionally, you can pick and choose to purchase these modules for Air/Fuel Ratio and Belt Temperature to display on your dash. Boost is measured off the Map sensor and your plenum will always have a Map sensor(s). These instructions will show you how to locate your dash modes, and install the AFR module, and Belt Temperature module. If you have not purchased all the modules you can skip through the instructions to the correct module you purchased.

NOTE: We recommend mounting these modules in a clean, water resistant area. We installed these modules in a 2 seat 2020 X3 Turbo RR and mounted the modules in the glove box for these instructions. The customer can decide where they want to mount the modules whether its in the glove box or an accessory bag. These modules are NOT waterproof.

NOTE: The OEM Bosch ECU will only read up to 22.5 psi of boost unless you are running one of our Dynamite or Desert Storm turbo kits – EVP changes how the ECU reads map pressure and allows the ECU to output data up to 45 psi.

Instructions for Boost Flash 2017-2019:

- Reinstall your Dash Cluster into your vehicle after receiving it back from us.
- To display boost on the top spot of your dash, press the “M” button on the cluster once – this will cause the top values to blink. Then press the S button until you see boost or 000 displayed. The values will stop blinking in about 5 seconds and boost will be stored. If you want boost displayed on the bottom set of values, press the M button twice then repeat the steps above. (Figure 1-2)



Figure 1



Figure 2

Instructions for Boost Flash 2020+:

- Reinstall your Dash Cluster into your vehicle after receiving it back from us.
- To display boost on the top spot of your dash, press the “Menu” button on the button cluster. This will cause the top values to blink. Keep toggling through until you see boost displayed on the dash cluster. (Figure 3-4)



Figure 3



Figure 4

Instructions for AFR Module

- Reinstall your Dash Cluster into your vehicle after receiving it back from us.
- Weld bung into exhaust system (if your exhaust has only one AFR sensor port). Instructions are on our website “**Auxiliary 02 Bung Instructions**”
- In the glove box, drill a hole to run the AFR, Belt temp, and Diagnostic port replicator.
- Run the AFR wiring harness from AFR sensor through the firewall, underneath the center console and up to the glove compartment. Zip tie the wiring harness away from heat sources and rotating parts.
- Using Velcro, install AFR module in glove compartment (AFR Module is not waterproof and must not be exposed to water)
- Plug in EVP port replicator and run auxiliary ports into Glove compartment.
- Plug in AFR module into one of the free ports on the port replicator. (Figure 5)



Figure 5

Displaying AFR on 2017-2019 Dash:

- To display AFR on the top spot of your dash, press the M button on the cluster once – this will cause the top values to blink. Then press the S button until you see 58.3 (this is the highest AFR value – you will only see this if the engine is not running) displayed. The values will stop blinking in about 5 seconds and AFR will be stored. If you want boost displayed on the bottom set of values, press the M button twice then repeat the steps above.

Displaying AFR on 2020+ Dash:

- To display AFR on the top spot of your dash, press the “Menu” button on the button cluster. This will cause the top values to blink. Keep toggling through until you see AFR displayed on the dash cluster. (Figure 6).



Figure 6

Instructions for Belt Temp Module:

- Reinstall your Dash Cluster into your vehicle after receiving it back from us.
- Remove clutch cover and drill a ½” hole into the clutch housing directly above the center of the belt. The hole should be perpendicular to the surface of the belt and as close to the center between the primary and secondary clutches.

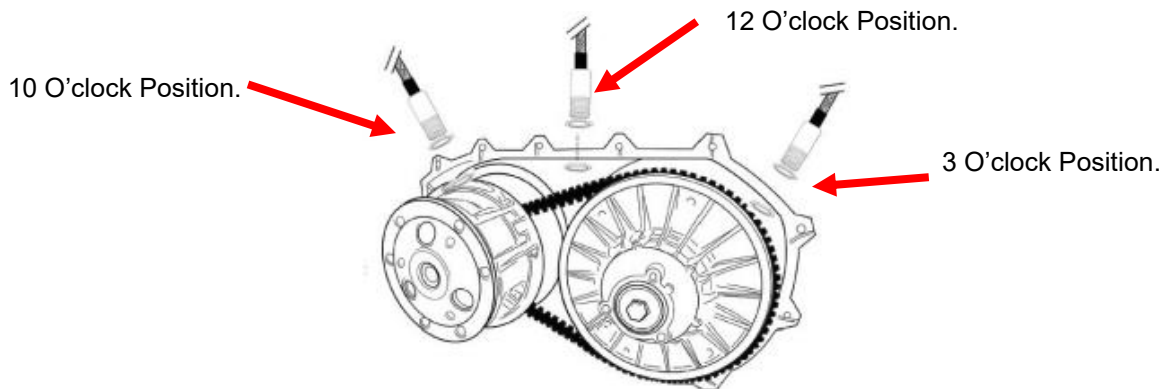


Figure 7

- Use the supplied locknuts to secure the sensor – use Loctite on the nuts.
- Run cabling from belt temp sensor through the firewall, underneath the center console and up to the glove compartment.
- Using Velcro, install belt temp module in glove compartment (the belt module is not waterproof and must not be exposed to water)
- Plug in EVP port replicator and run auxiliary ports into Glove compartment.
- Plug in AFR module into one of the free ports on the port replicator.

Displaying Belt Temp on 2017-2019 Dash:

- To display Belt Temp on the top spot of your dash, press the M button on the cluster once – this will cause the top values to blink. Then press the S button until you see Belt Temp value. The values will stop blinking in about 5 seconds and Belt Temp will be stored. If you want Boost or AFR displayed on the bottom set of values, press the M button twice then repeat the steps above.

Displaying Belt Temp on 2020+ Dash:

- To display Belt Temp on the top spot of your dash, press the “Menu” button on the button cluster. This will cause the top values to blink. Keep toggling through until you see Belt Temp displayed on the dash cluster. (Figure 8)



Figure 8

NOTE: Measure the hole you drilled in the glove compartment and purchase a rubber gromet. Wrap the wires through the gromet and push it into the glove compartment. Silicone the outside of the gromet to keep water and debris out of the compartment.



INSTALLATION INSTRUCTIONS

Thank you for choosing Evolution Powersports products. If you require further assistance, please call our Tech Support @ (715) 247-3862

Note: This product is exempt from the emission standards and related requirements of 40 C.F.R. § 1051 as provided by 40 C.F.R. § 1051.620, and California law [e.g., vehicle code §§ 27156 and 38391]. This product is sold only for use in connection with EPA certified, purpose-built, nonroad vehicles used solely for closed course, nonroad competition/racing and not used for any recreational purpose or on public highways or right of ways maintained by and open to the public. This product is sold only in connection with machines that do not fall under state and/or federal noise or emission standards/regulations. Purchasers who/that purchase this product represent and warrant that the product is purchased only in connection with EPA -certified, emission-regulations-exempt and noise-regulations-exempt competition/racing vehicles as interpreted under applicable state and/or federal law. Questions: Call Evolution Powersports at (715) 247-3862.